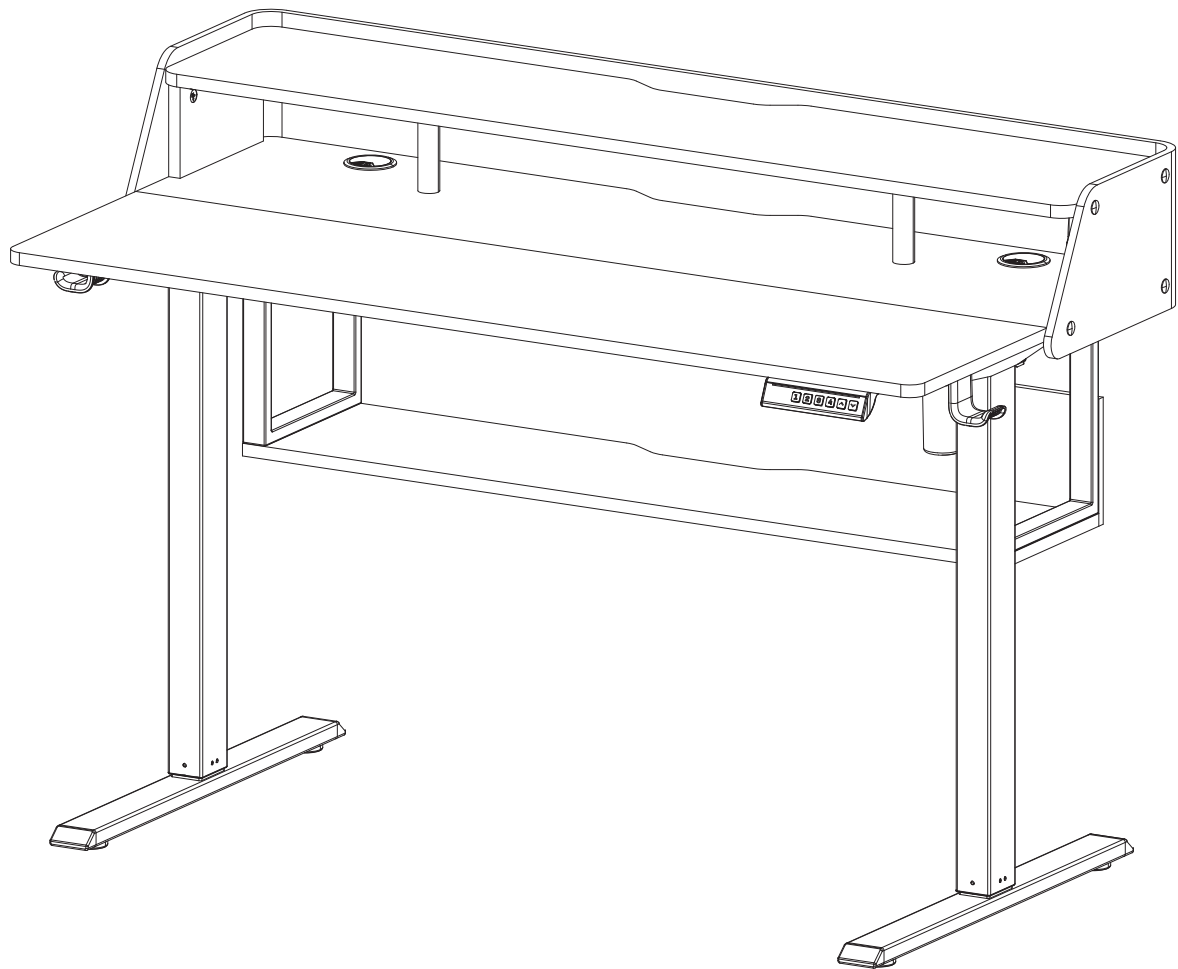


Electric Standing Desk



Specifications



Height Adjustment Range
27.9–46.8" (71-119cm)

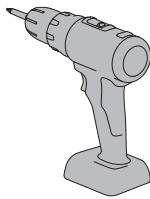


Power Input
100V-240V



Max. Speed
18mm/s

Tools Needed (Not Included)

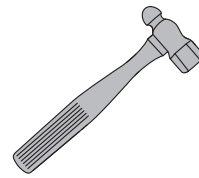


Drill

OR



Phillips Screwdriver



Hammer

Step 1

Supplied Parts and Hardware

A x 8



Bolt
M6 x 30mm

B x 10



Bolt
M6 x 10mm

F x 1



Allen Wrench
5/32" (4mm)

I x 1



Wrench

K1 x 2



Set Screw

K2 x 1



Rod Coupler

01 x 1



Crossbar

02 x 1



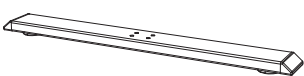
L Leg

03 x 1



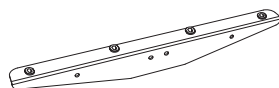
R Leg

04 x 2



Leg Base

05 x 2



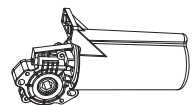
Side Plate

06 x 1



Transmission Rod

07 x 1



Motor

Step 2

Supplied Parts and Hardware

L1 x 4



Cam Bolt

L2 x 4



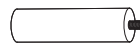
Cam Lock

G x 4



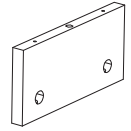
Wood Dowel Pin

11 x 2



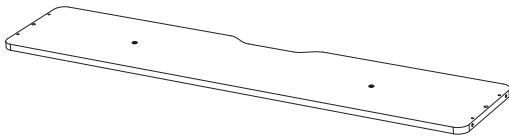
Center Support

12 x 2



Side Panel

13 x 1

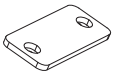


Top Shelf Panel

Step 3

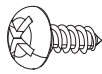
Supplied Parts and Hardware

C x 3



Desktop Panel Connector

D x 22



Screw
ST5 x 14mm

F x 1



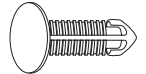
Allen Wrench
5/32" (4mm)

G x 5 (For 48")
x 6 (For 55")



Wood Dowel Pin

O x 2



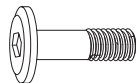
Plastic Rivet

M x 4



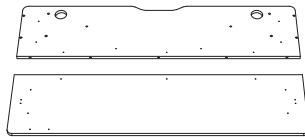
Screw
M4 x 35mm

N x 14



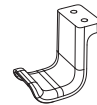
Bolt
M6 x 25mm

08 x 1



Desktop

09 x 2



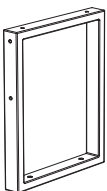
Storage Hook

10 x 1



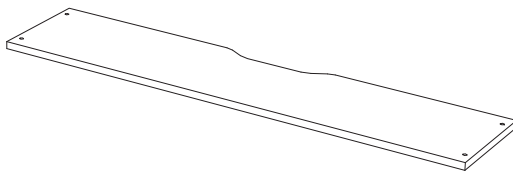
Controller

14 x 2



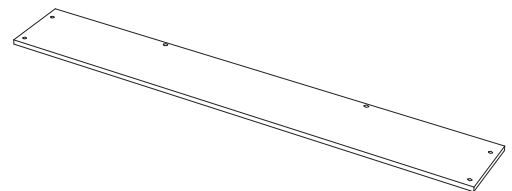
Side Frame

15 x 1



Bottom Shelf Panel

16 x 1



Bottom Shelf Backstop

Step 4 Supplied Parts and Hardware

H x 4



Cable Clip

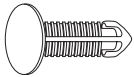
17 x 1



Power Cable

Step 5 Supplied Parts and Hardware

O x 16



Plastic Rivet

18 x 2



Grommet

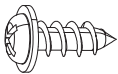
19 x 1



Top Shelf Backstop

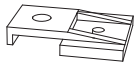
Light Strip Kit

20a x 5



Screw
M3 × 8mm

20b x 5



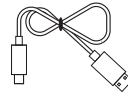
Light Strip Clip

20c x 1



Light Strip

20d x 1



USB Cable

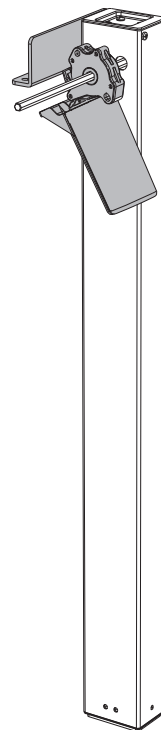
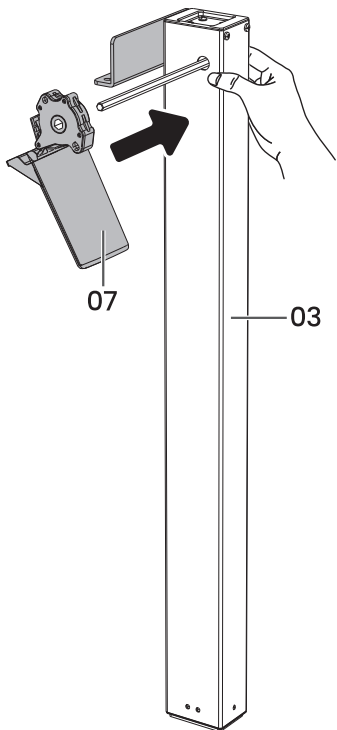
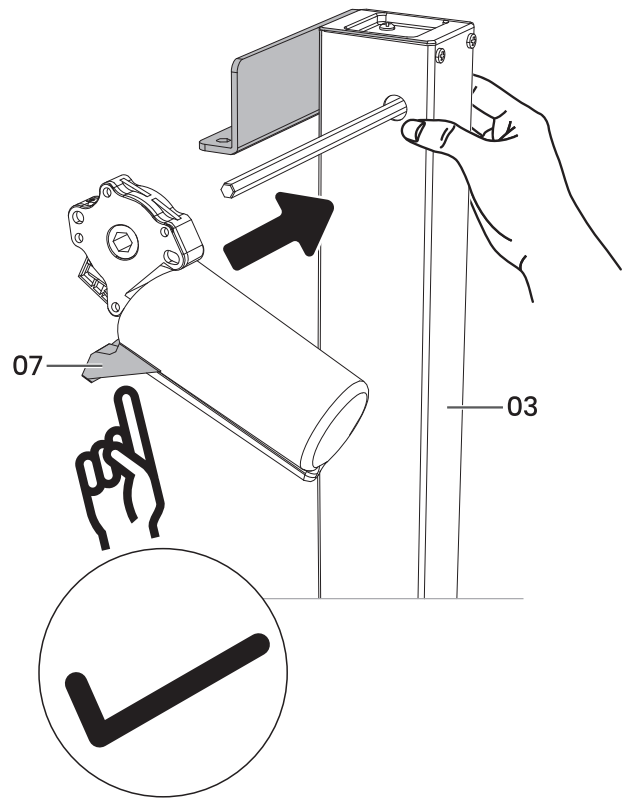
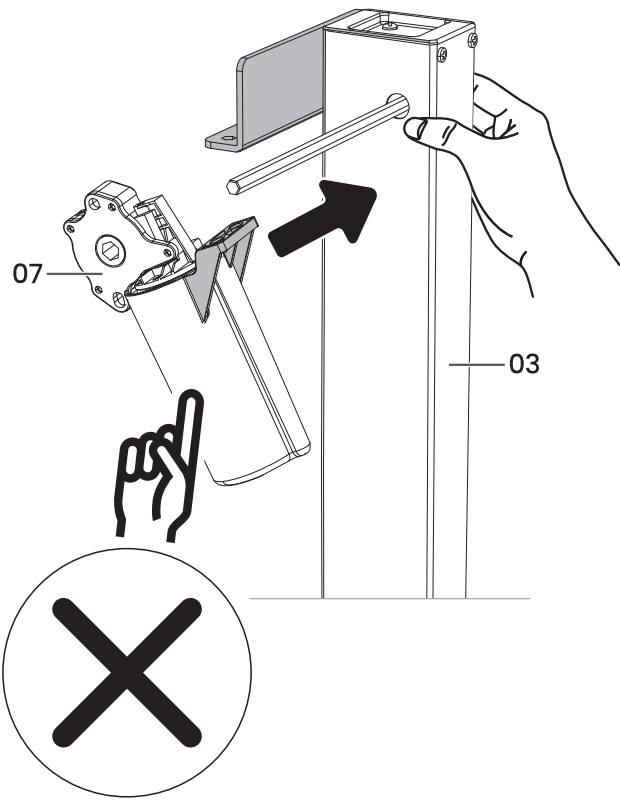
20e x 1

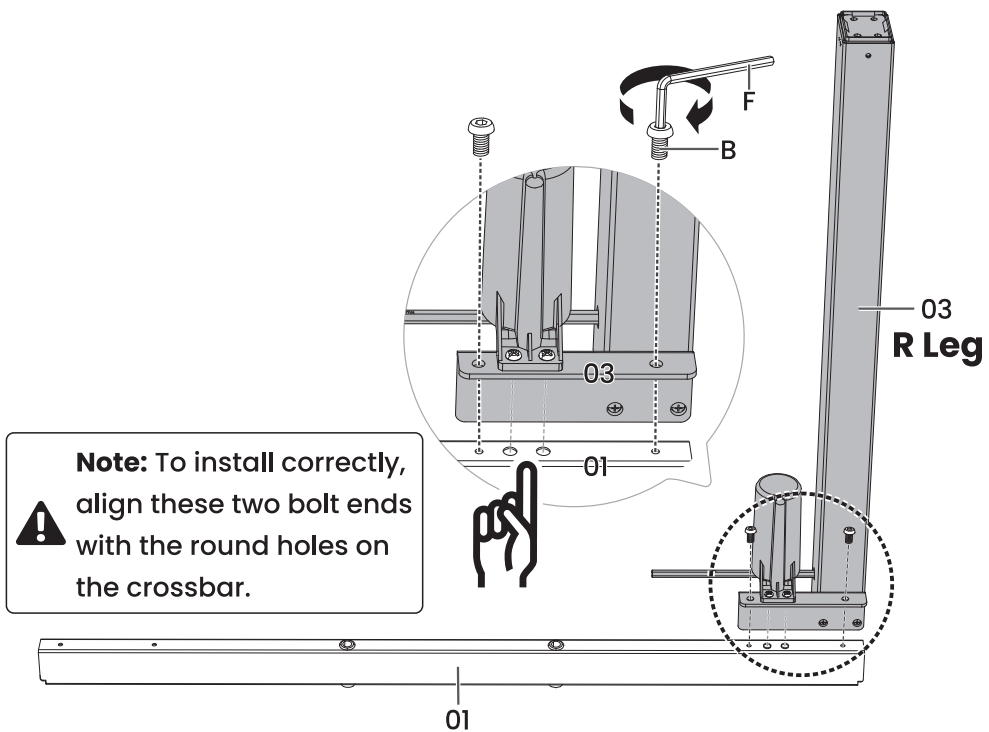
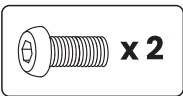
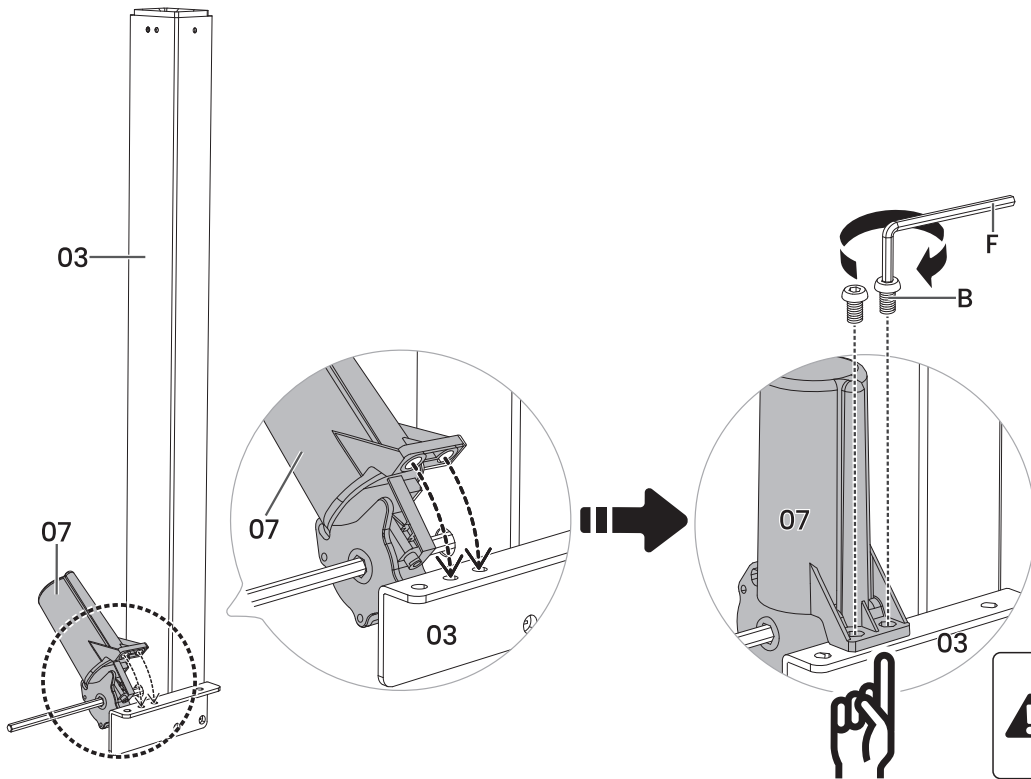
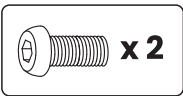


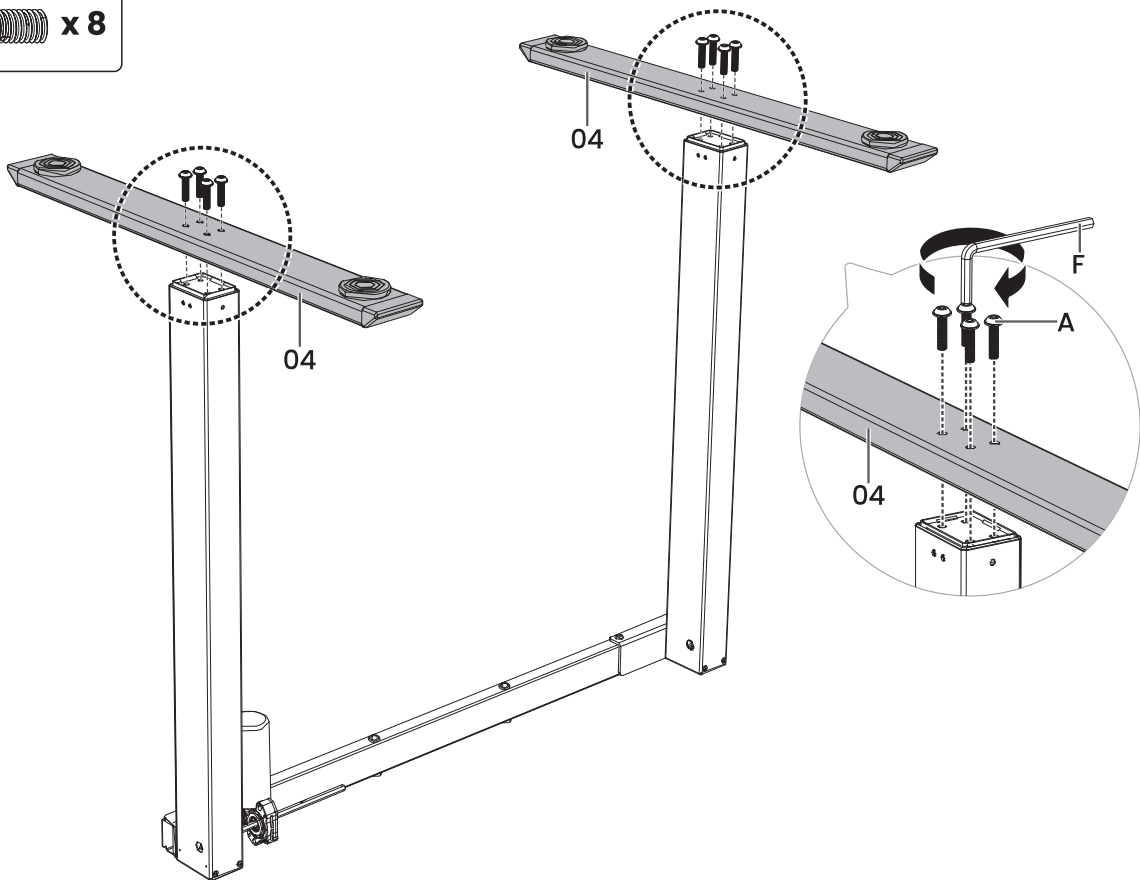
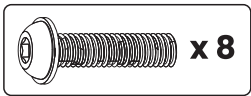
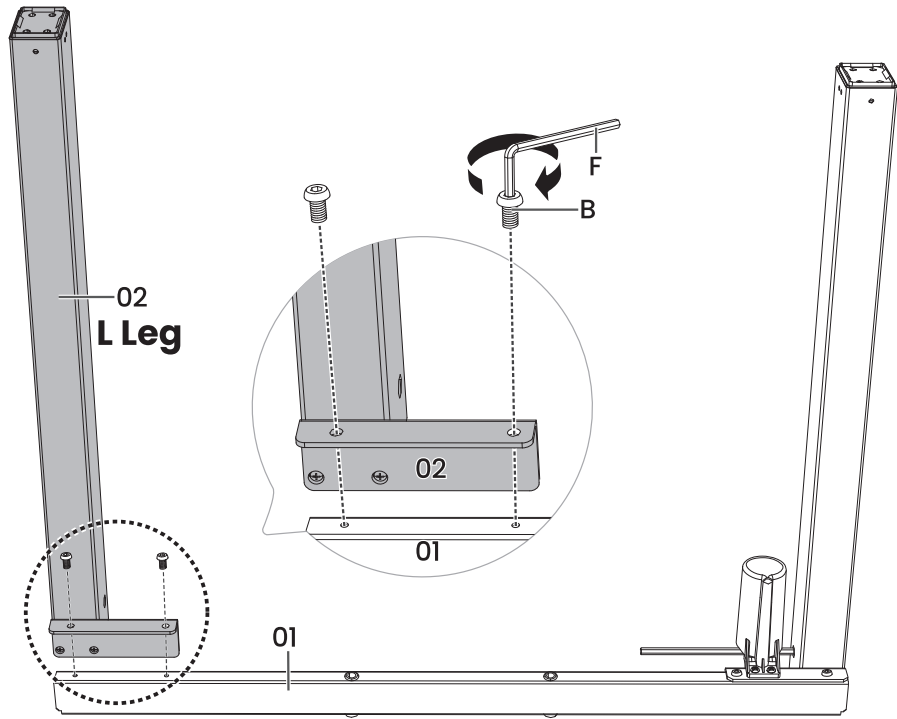
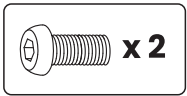
Remote

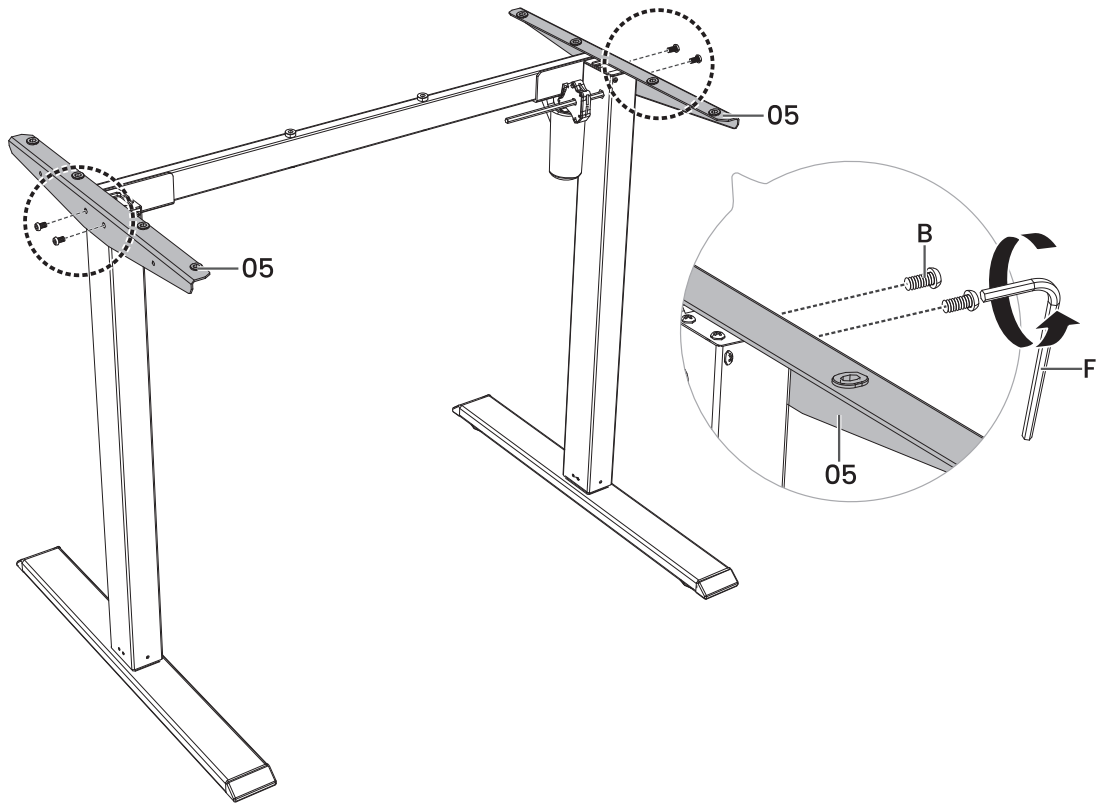
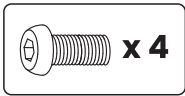
Step 1

Assembling the Frame

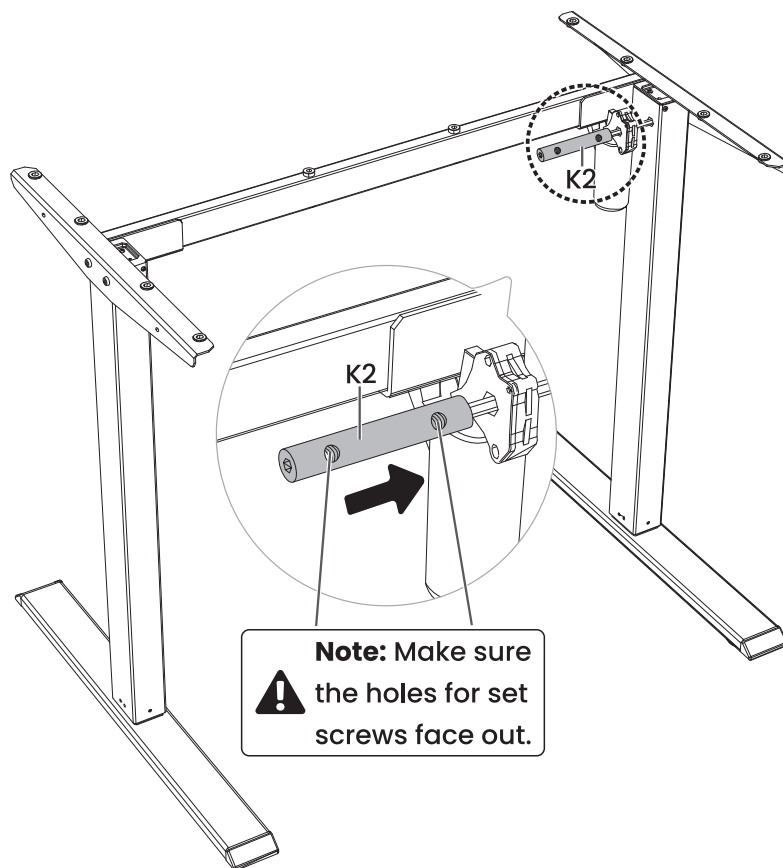




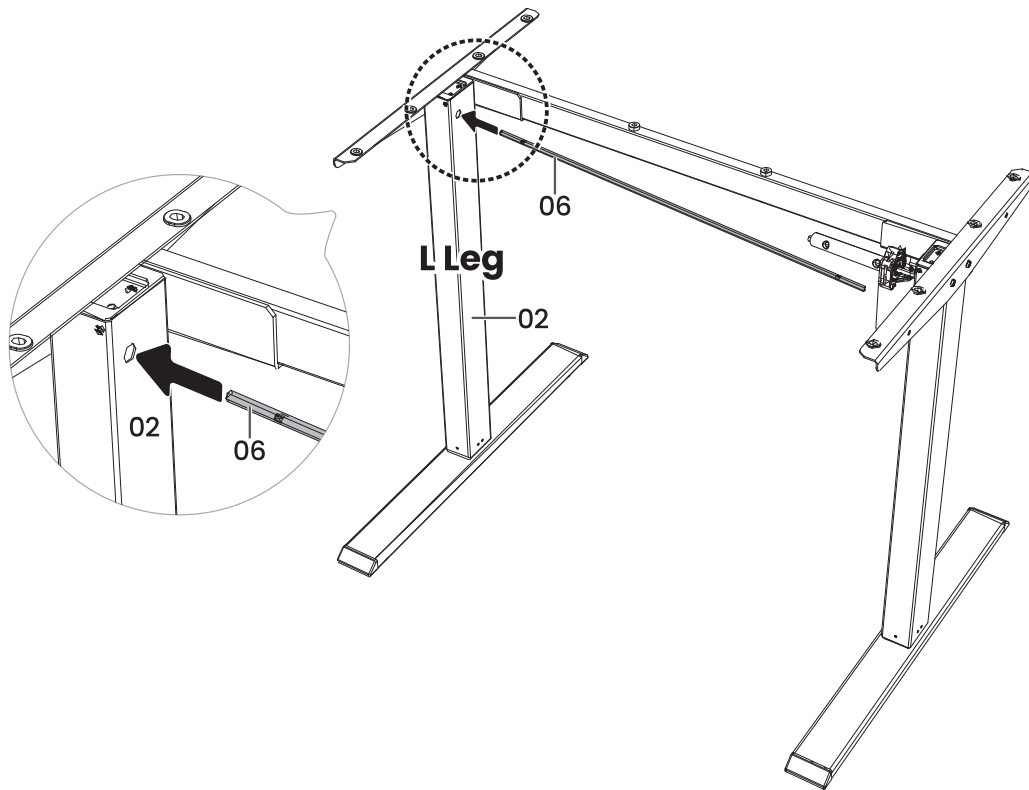




Slide the rod coupler onto the end of the motor drive shaft on the R leg.

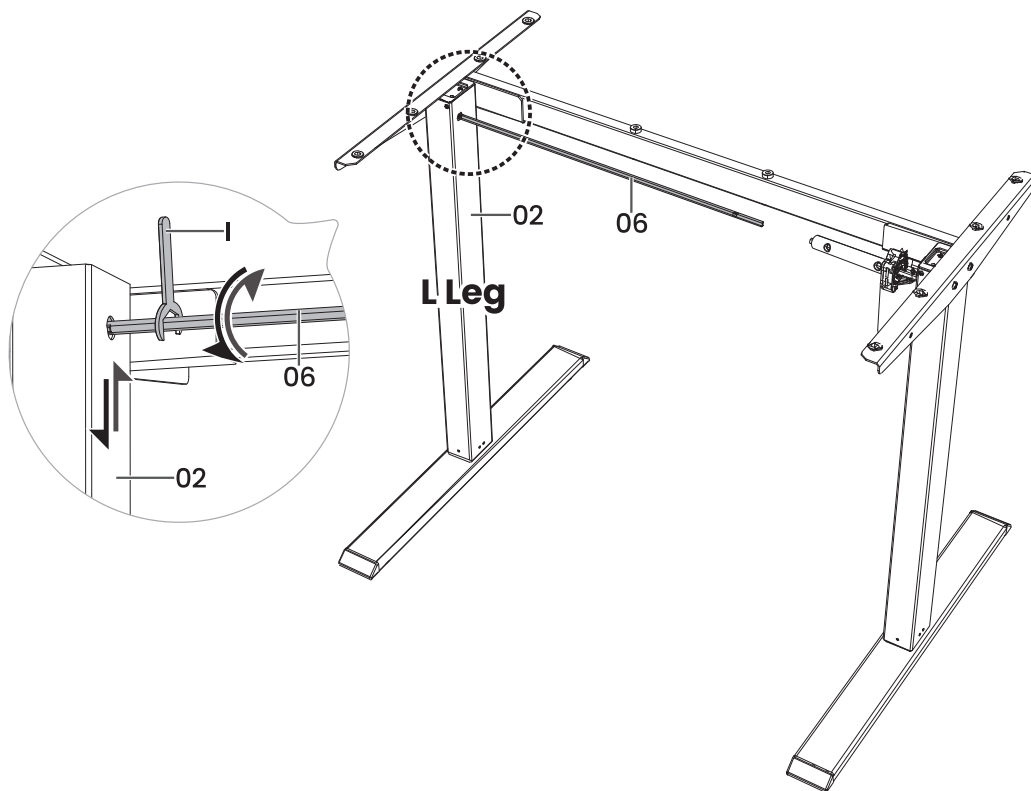


Fully insert the transmission rod into the L leg.

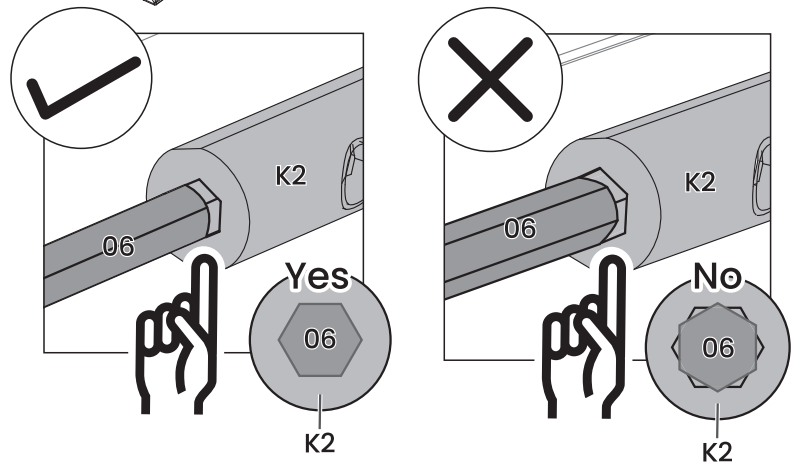
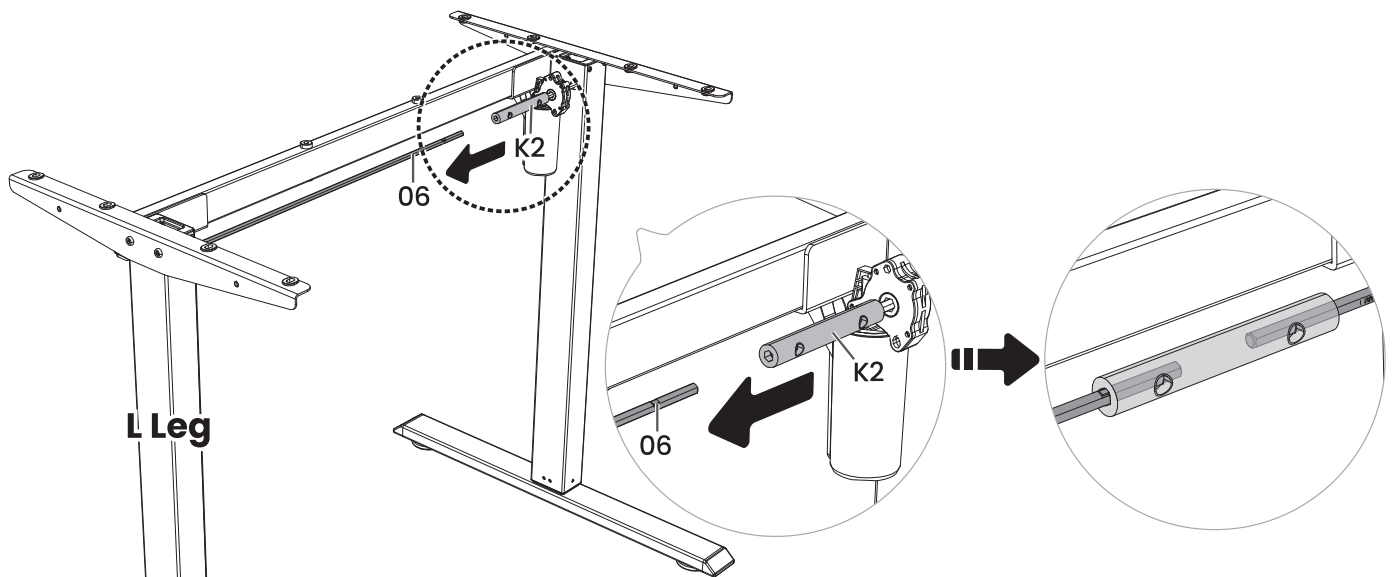


Adjust uneven desk legs if needed:

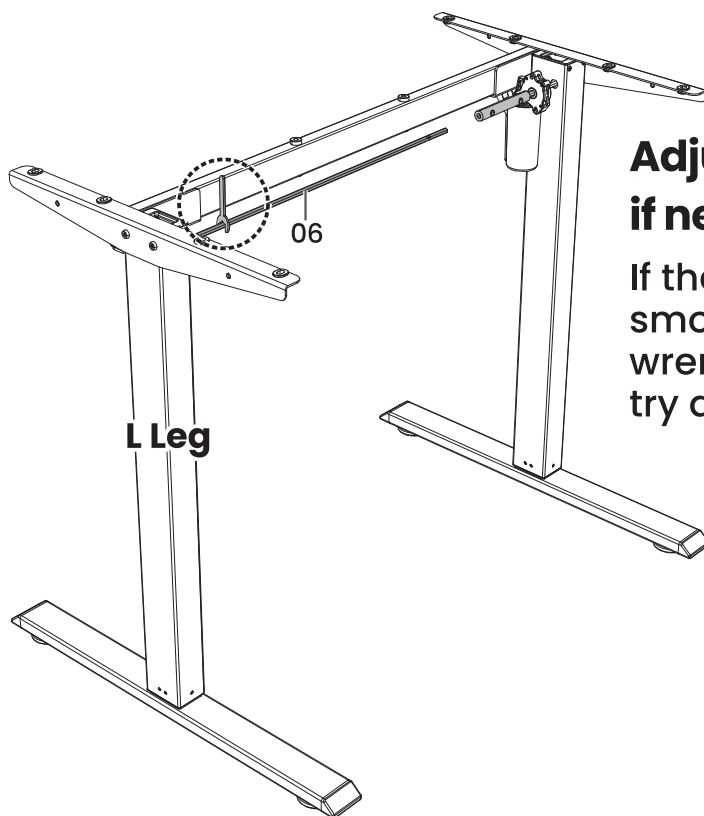
Measure the heights of the two desk legs to see if they are set at the same level. If not, using the wrench, turn the rod to adjust the L leg until it's level with the R leg. Turn the rod clockwise to raise the L leg or counter-clockwise to lower it.



Slide the rod coupler to the left to connect with the other end of the rod.

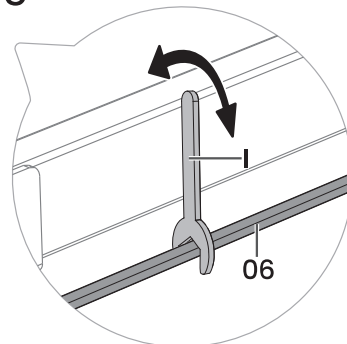



(requires adjustment)

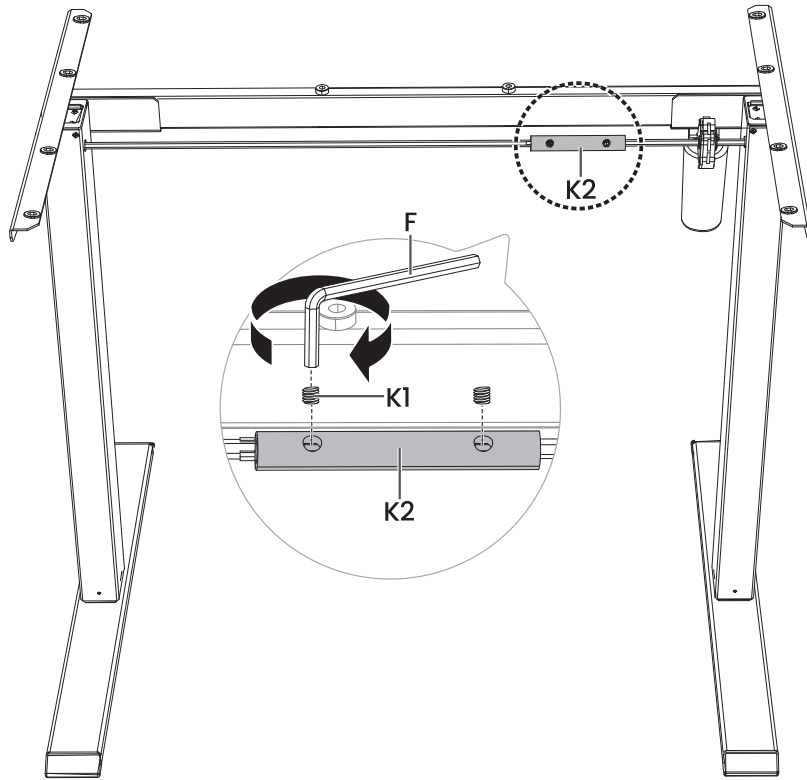


Adjust the transmission rod if needed:

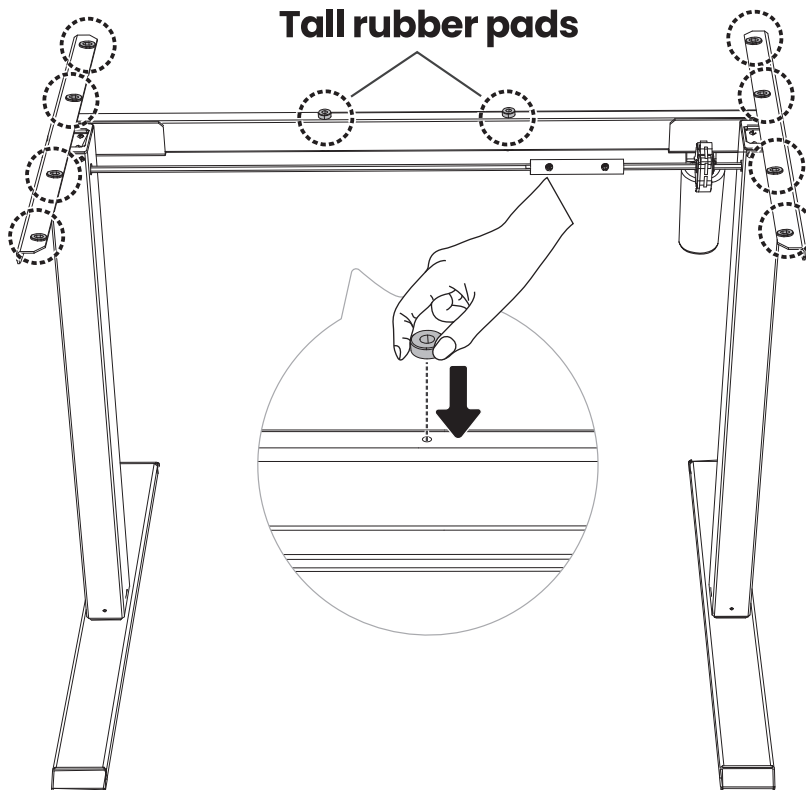
If the transmission rod doesn't fit smoothly into the rod coupler, use the wrench to fine-tune the position, then try again.



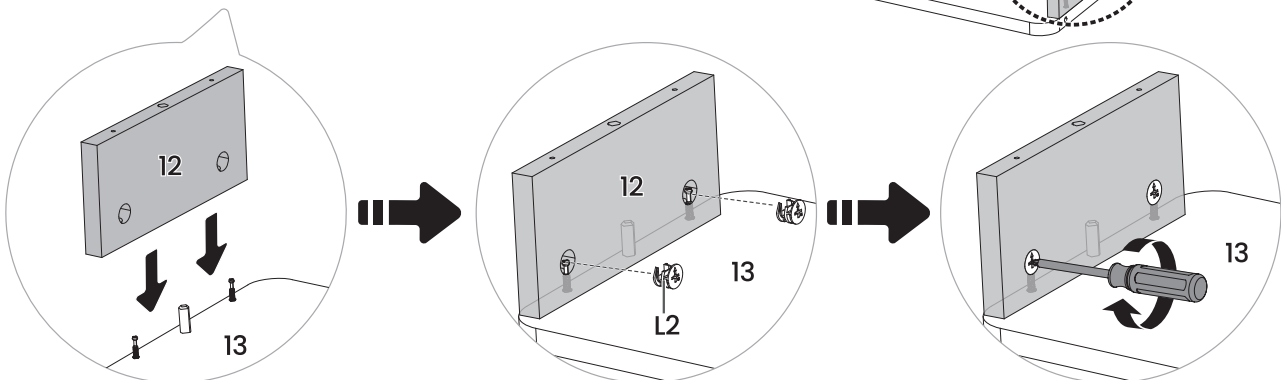
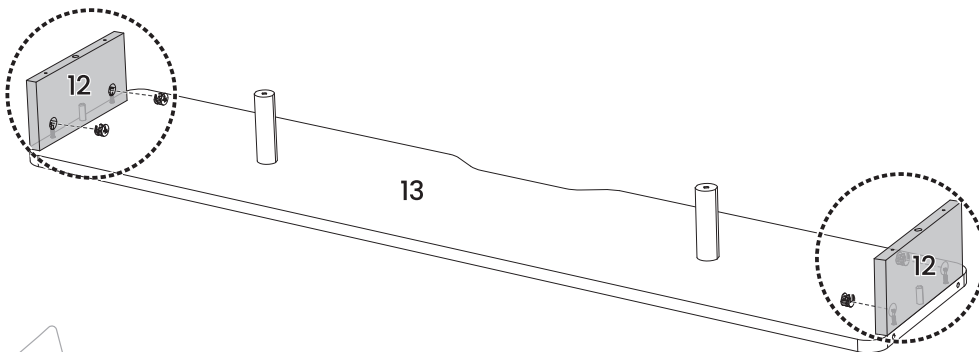
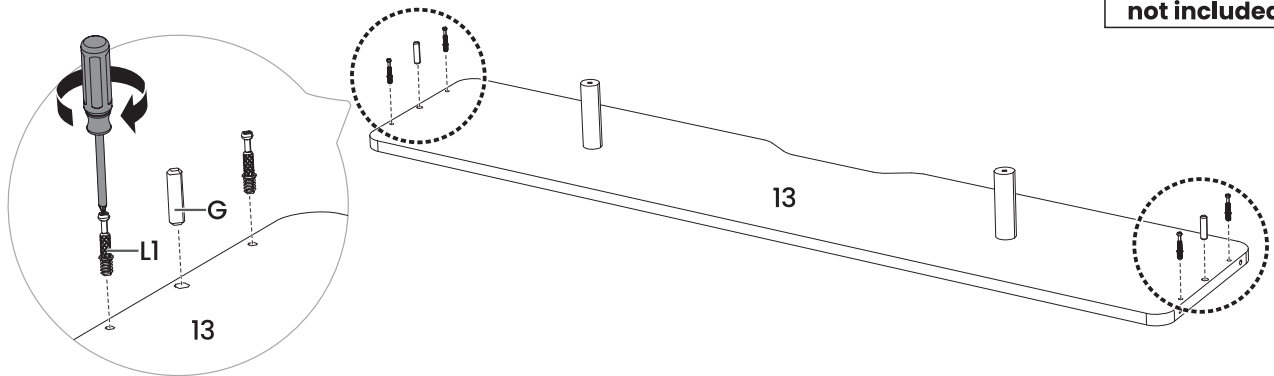
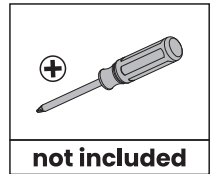
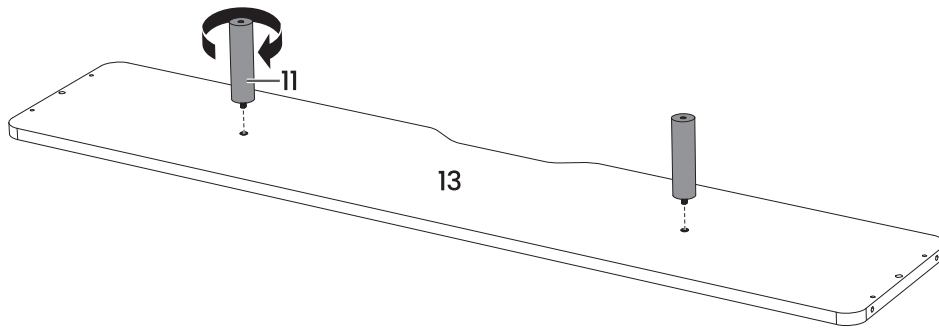
 x 2



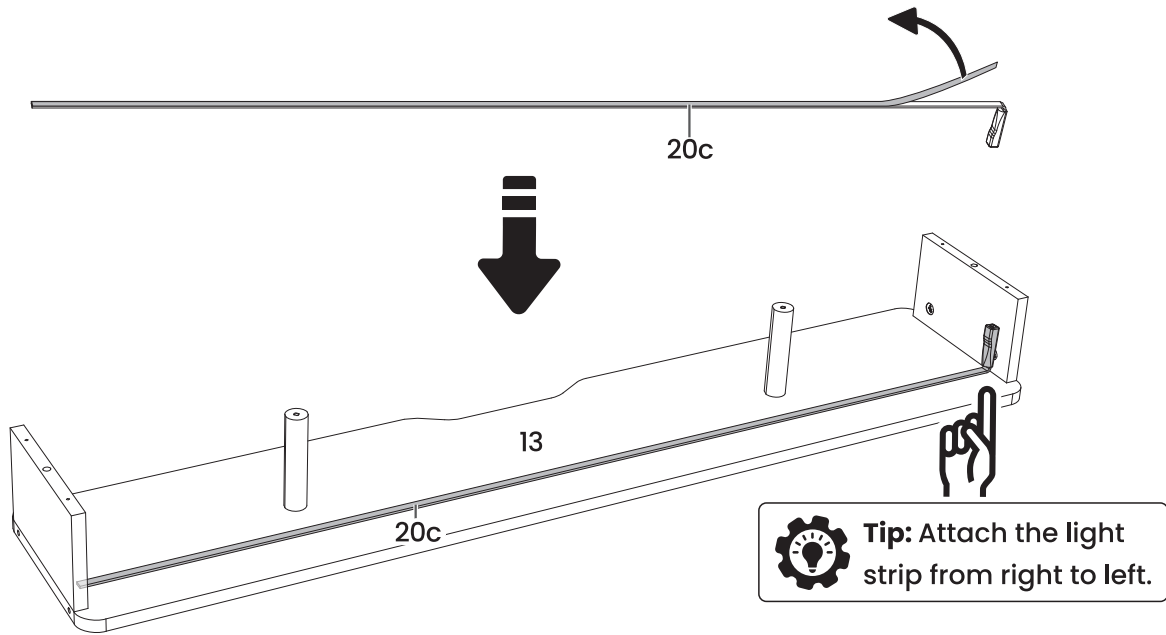
Ensure the rubber pads are attached to the frame. If any have fallen off, reattach them or use the spare rubber pads.



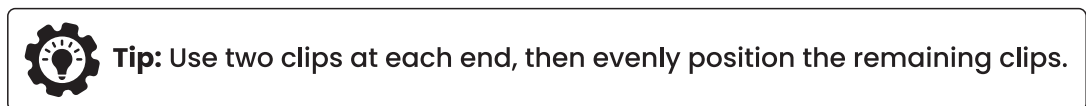
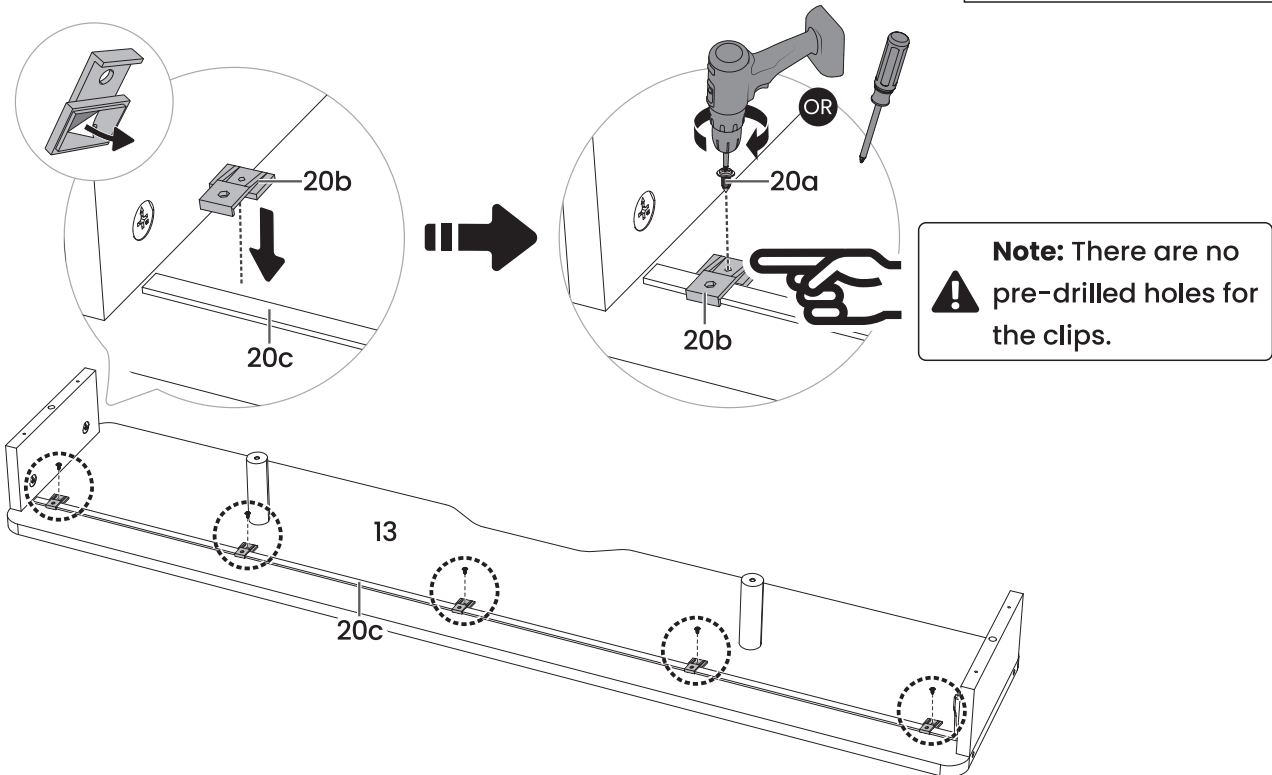
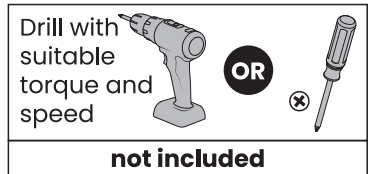
Step 2 Assembling the Top Shelf

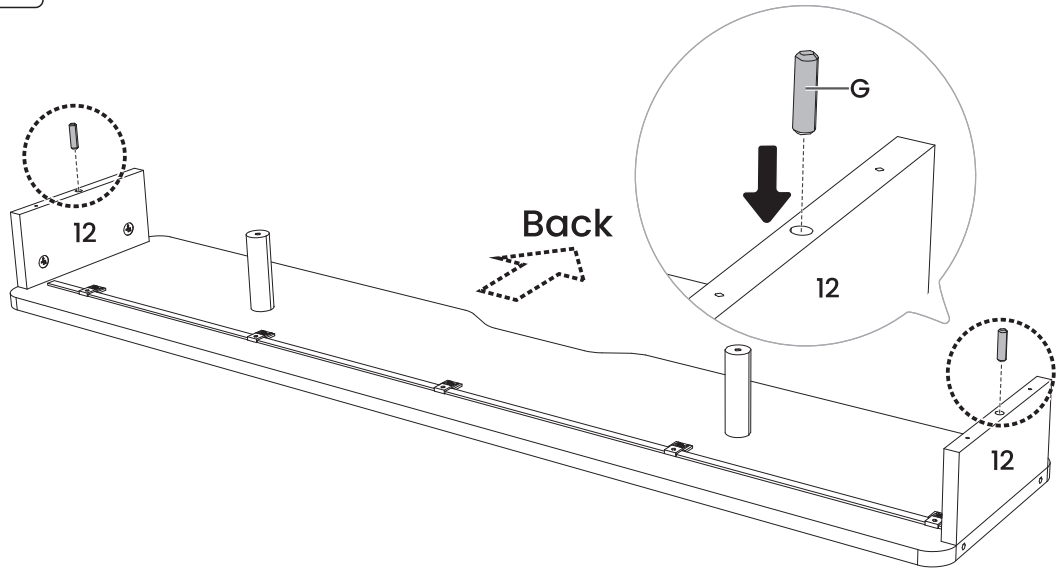


Attach the light strip between the center supports and the front edge of the shelf.




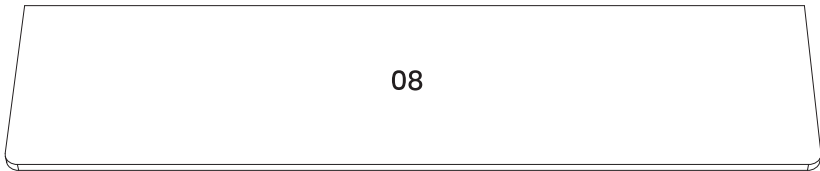
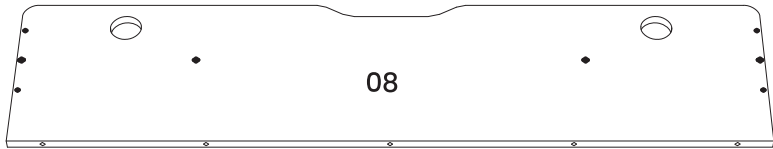
Secure the light strip with the light strip clips.



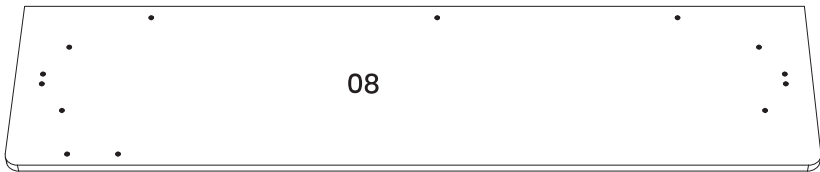
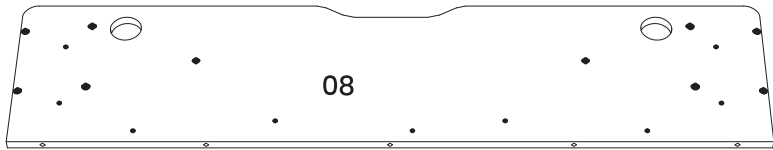


Step 3 Attaching the Frame and Shelves

 The dots below indicate pre-drilled hole locations.



Top



Bottom

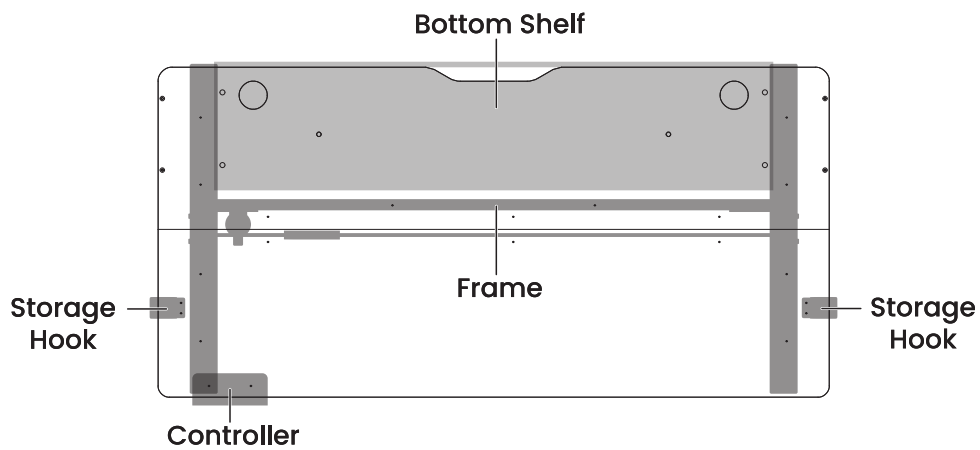
IMPORTANT:



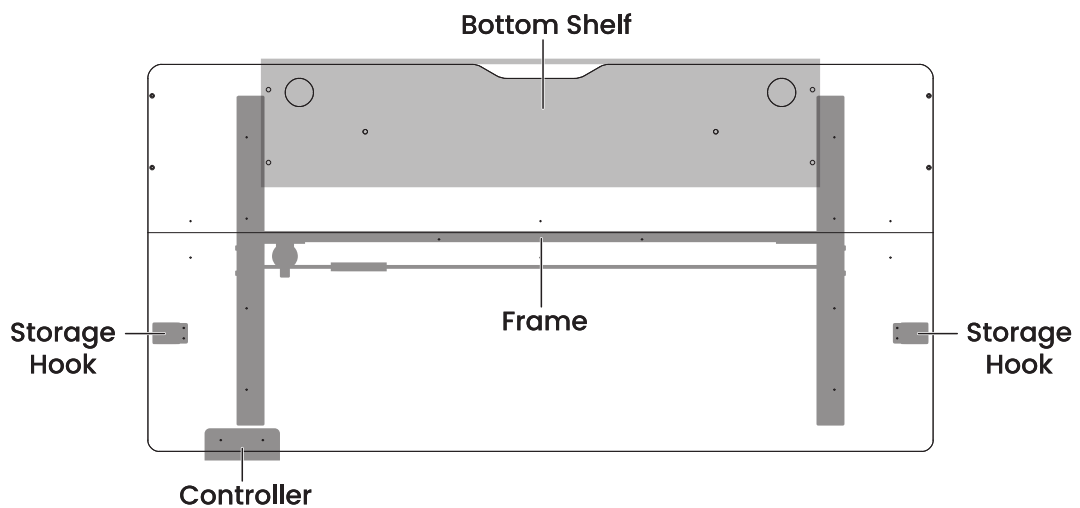
Some pre-drilled hole locations may vary between desks of different sizes. The illustrations demonstrate assembly steps using one desk size, but should remain similar for each installation process.


If you have any issues, please contact us.

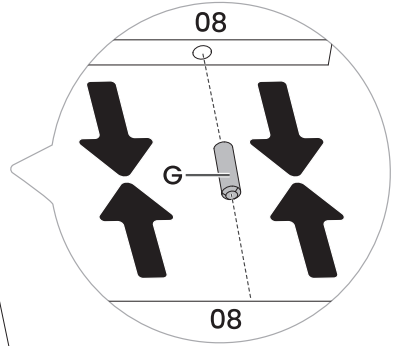
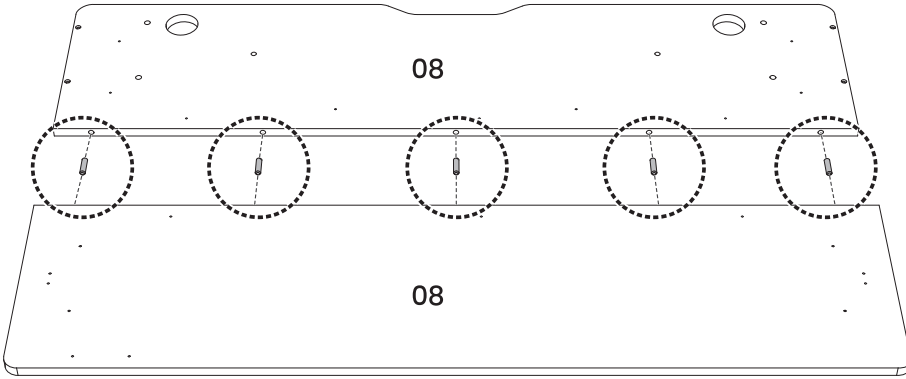
For 48 x 24" long desk





For 55 x 28" long desk

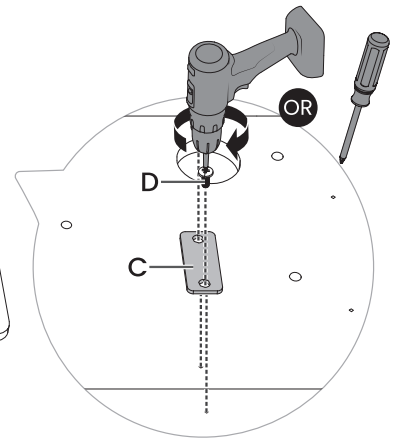
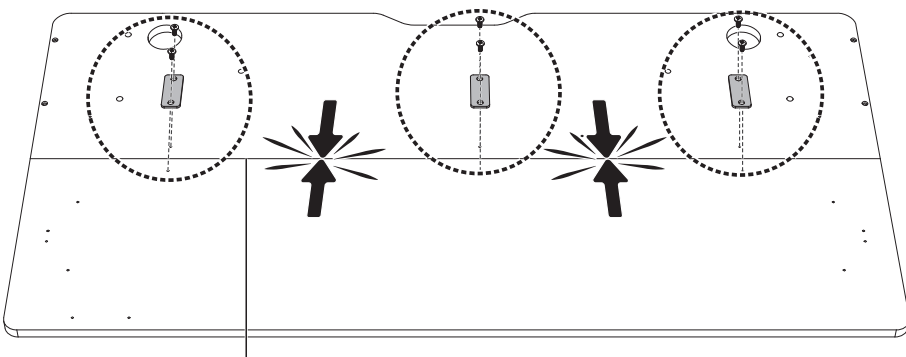




 For 48" X 5
 For 55" X 6



 x 6

Drill with  suitable torque and speed **OR**  **not included**

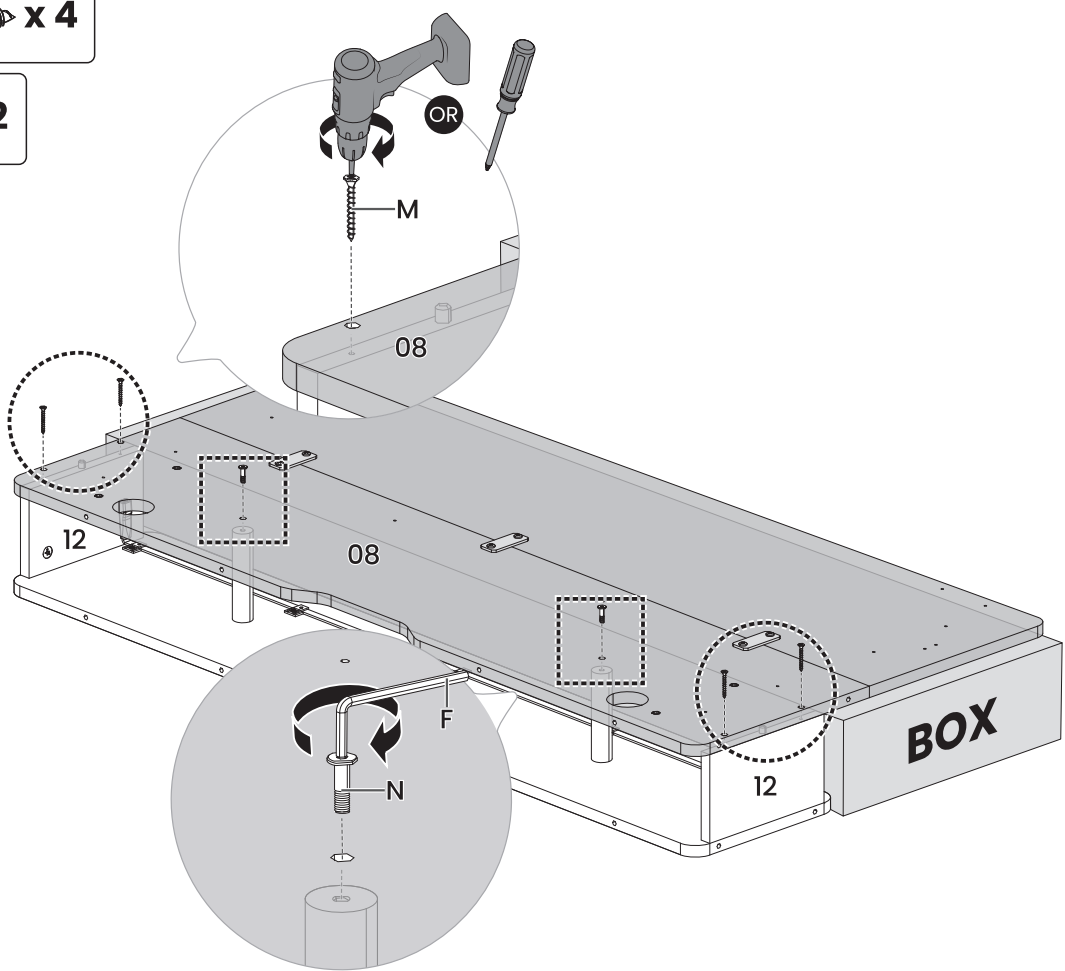
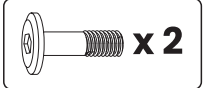
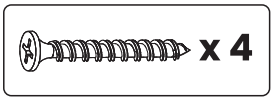
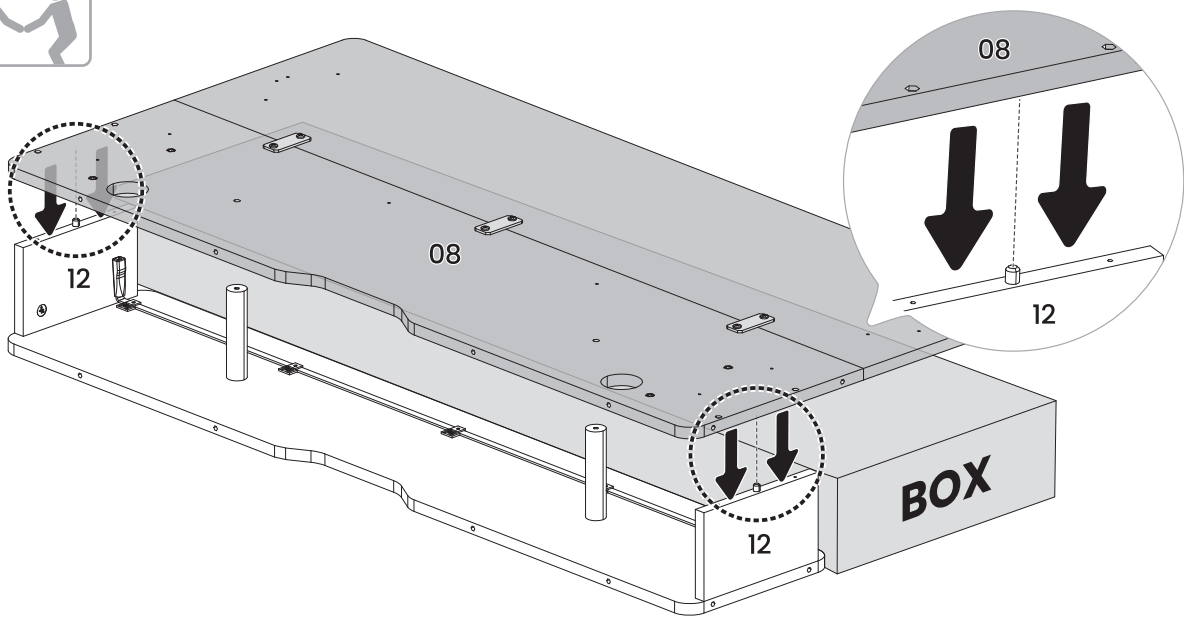


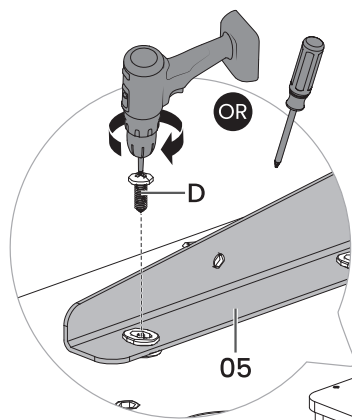
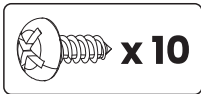
 **Tip:** Press tightly together to ensure no gap.

Carefully lift and attach the desktop to the top shelf.

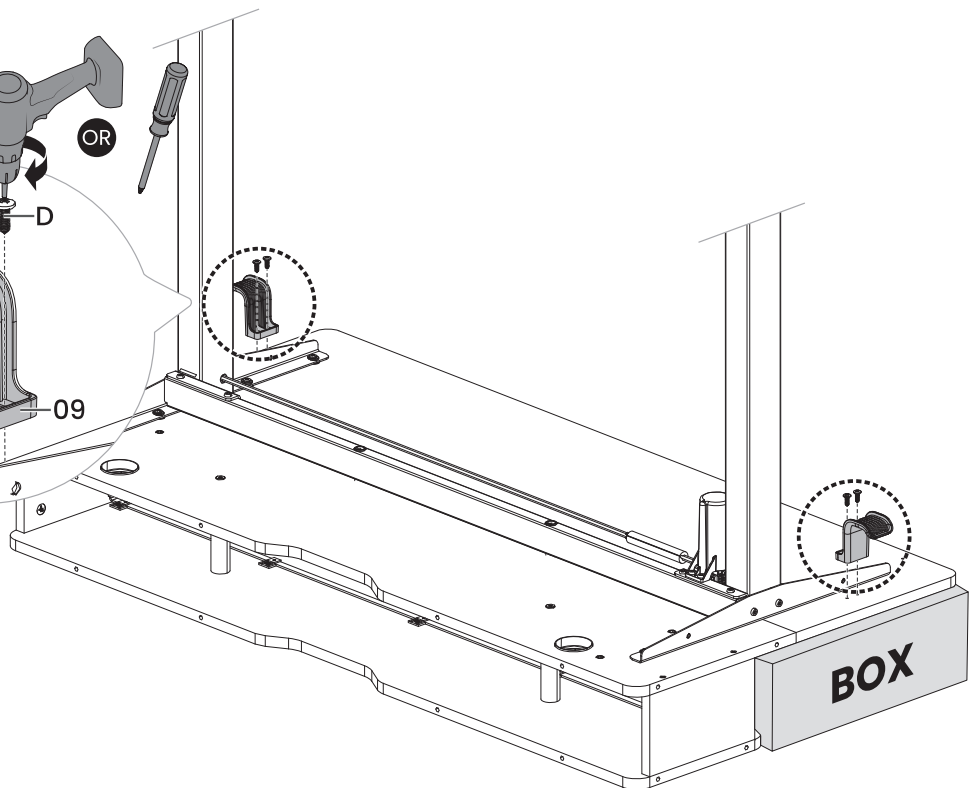
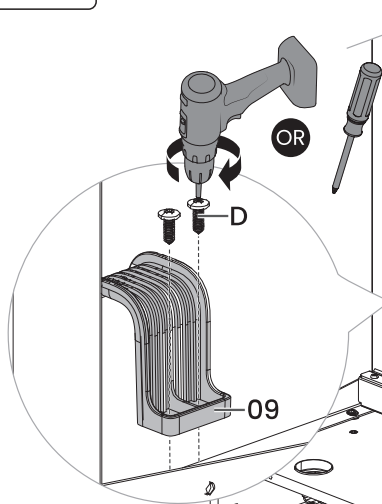
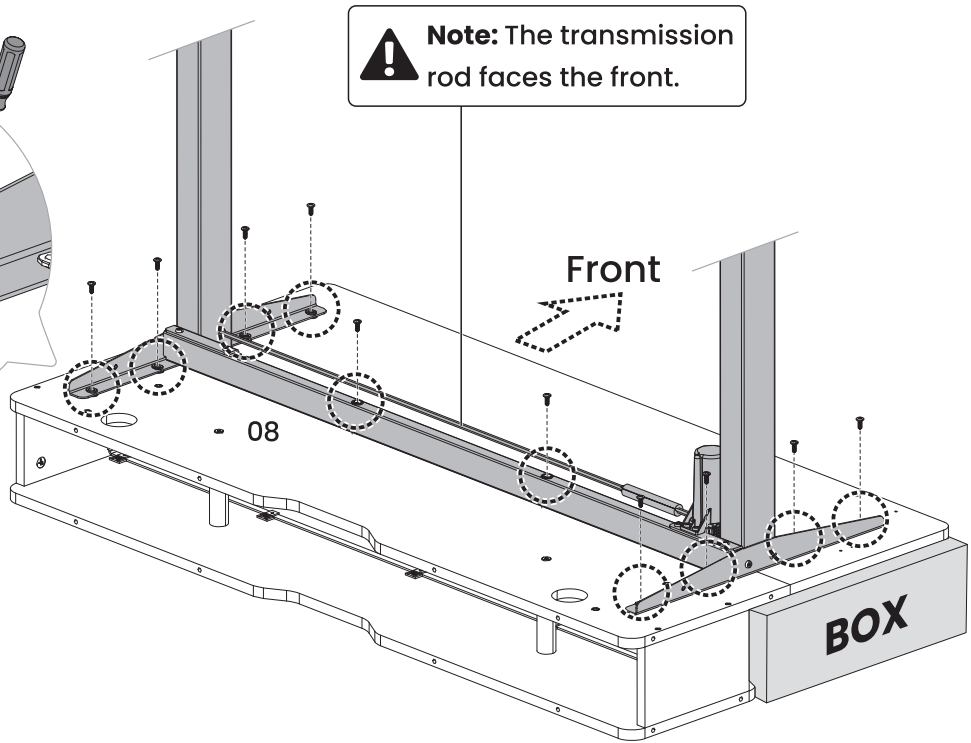


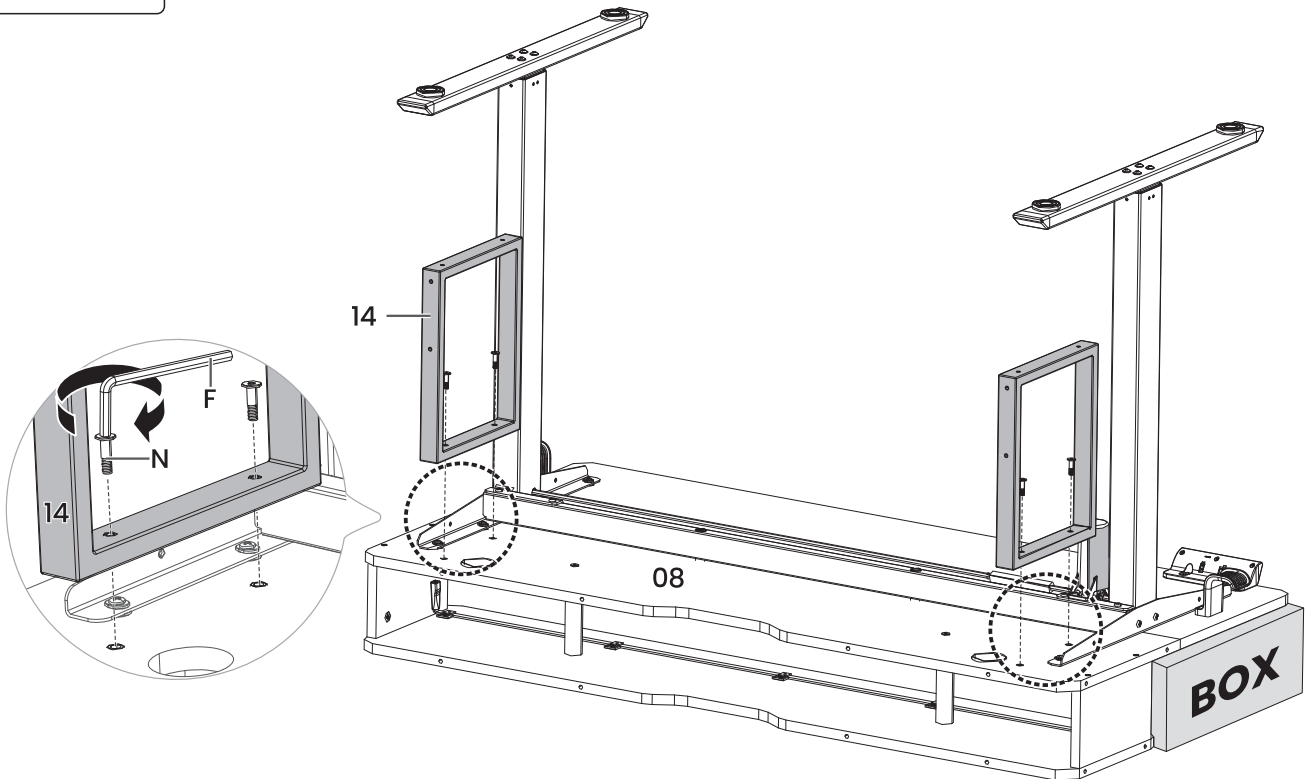
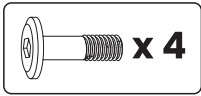
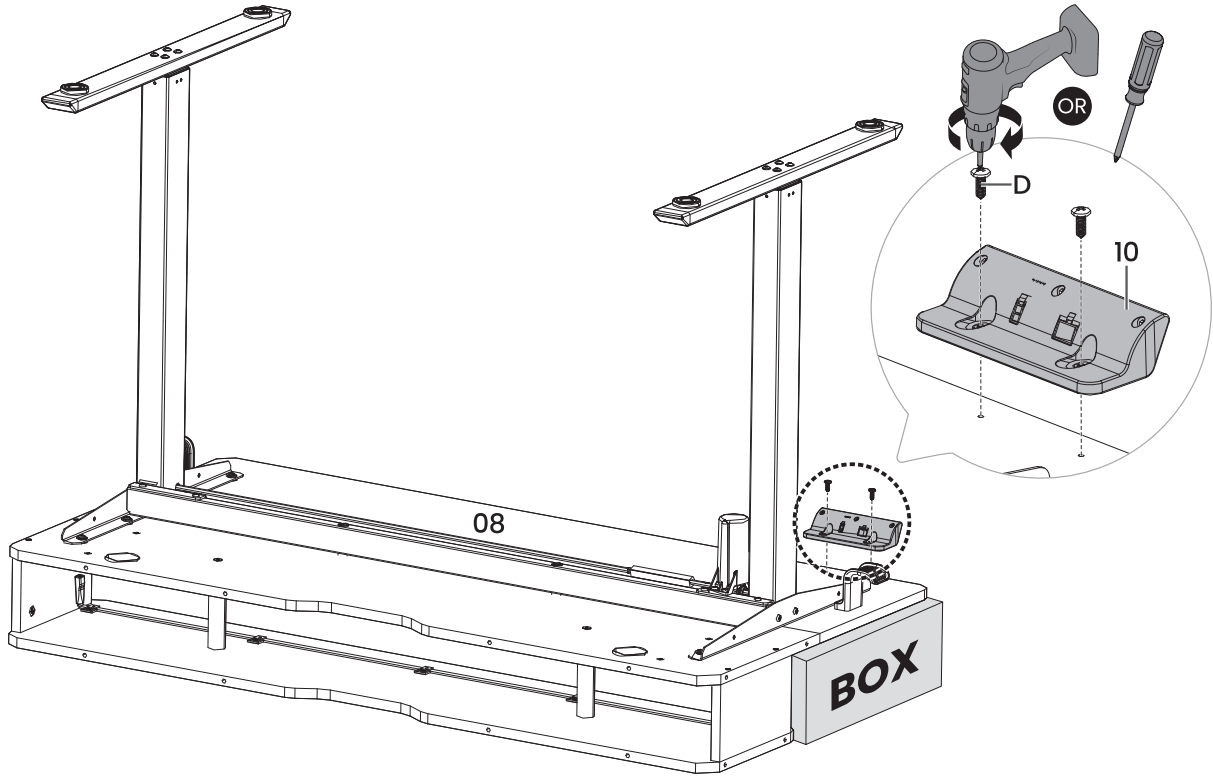
Tip: Use a box to support the desktop before positioning.

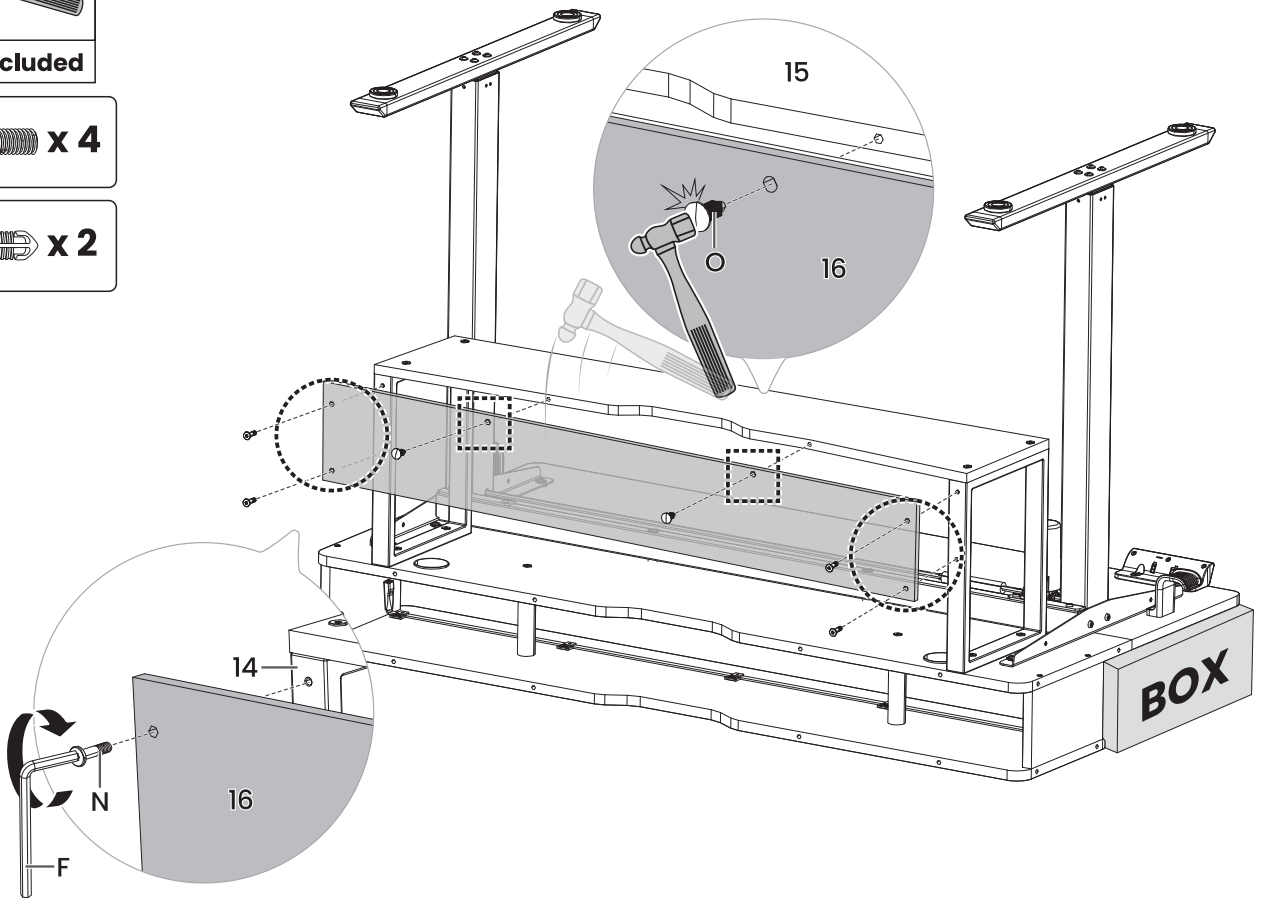
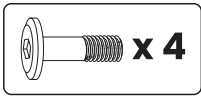
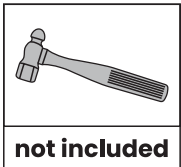
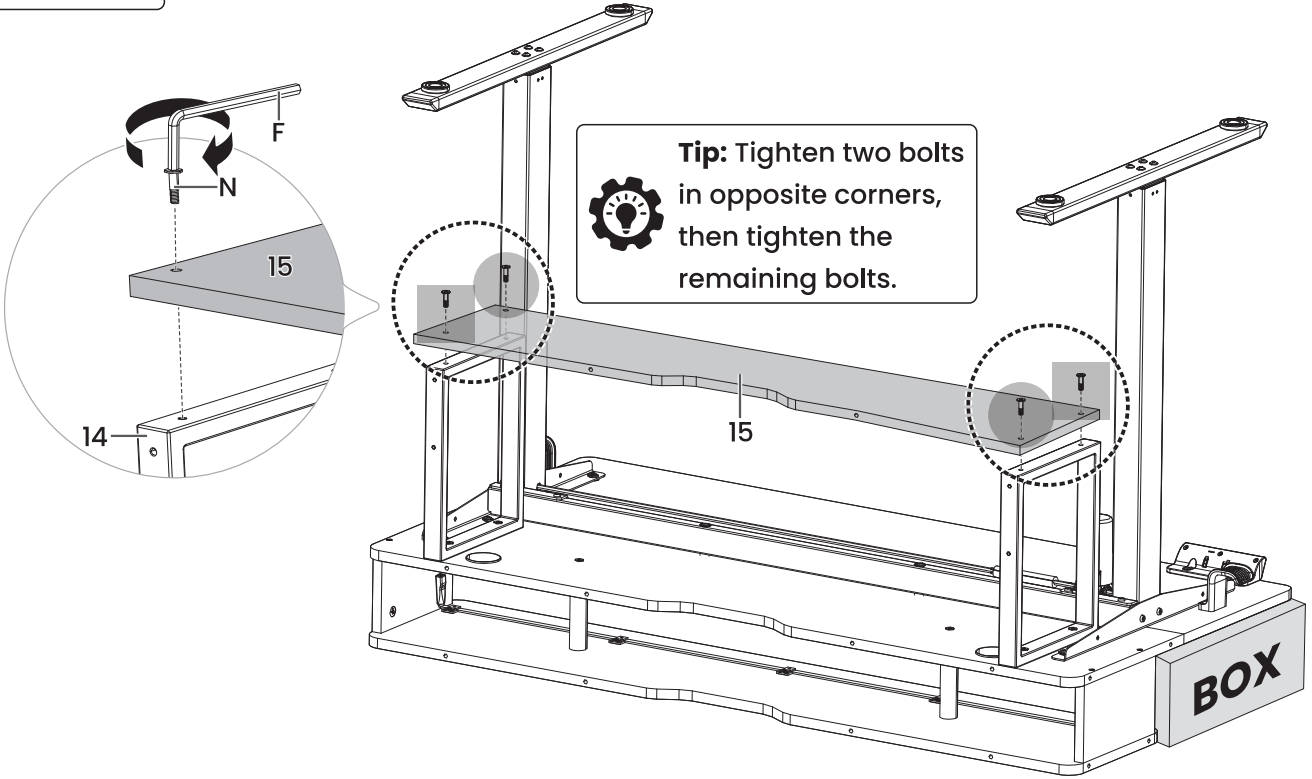
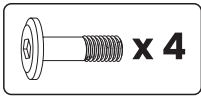




Note: The transmission rod faces the front.



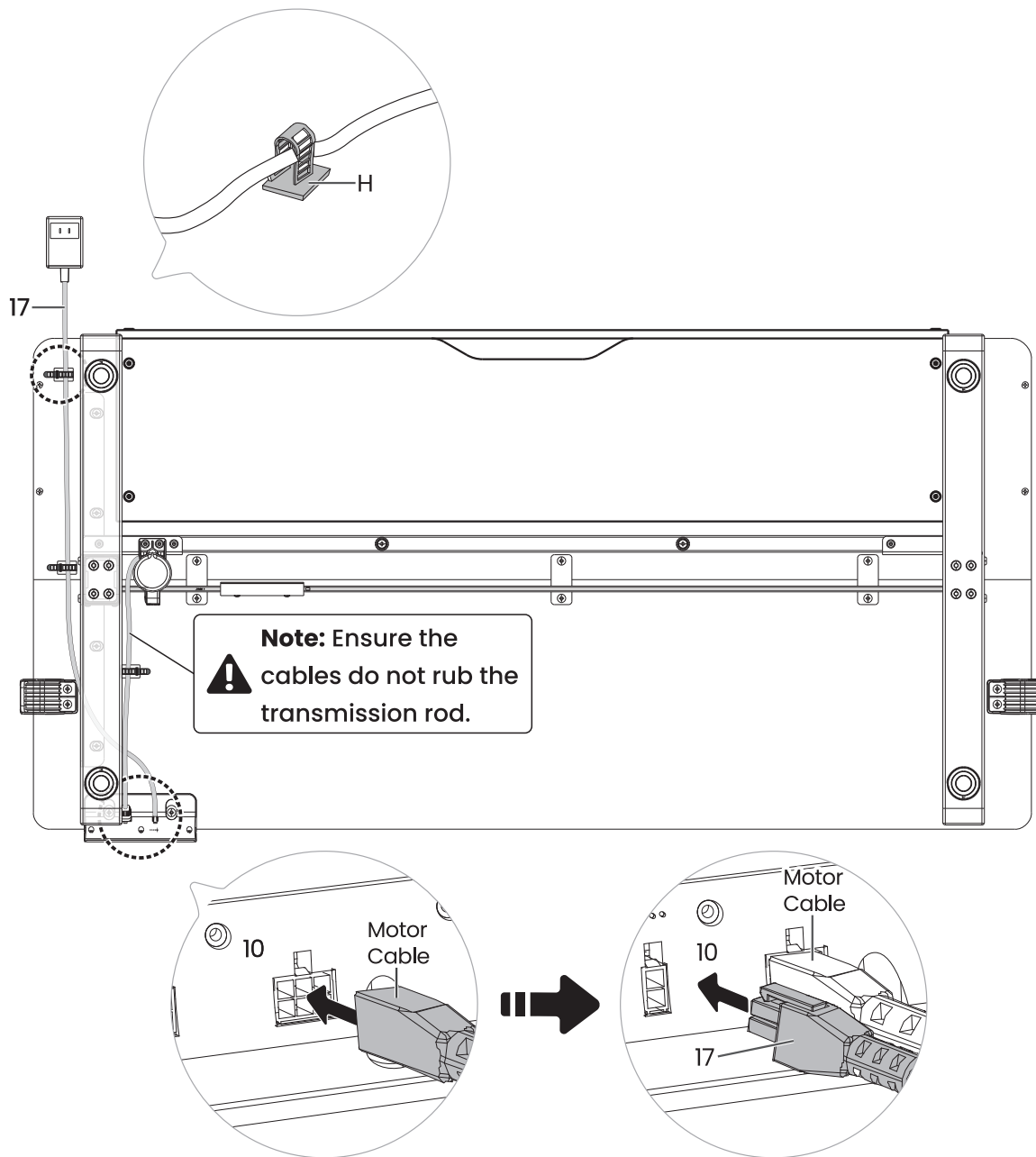




Step 4 Connecting the Cables



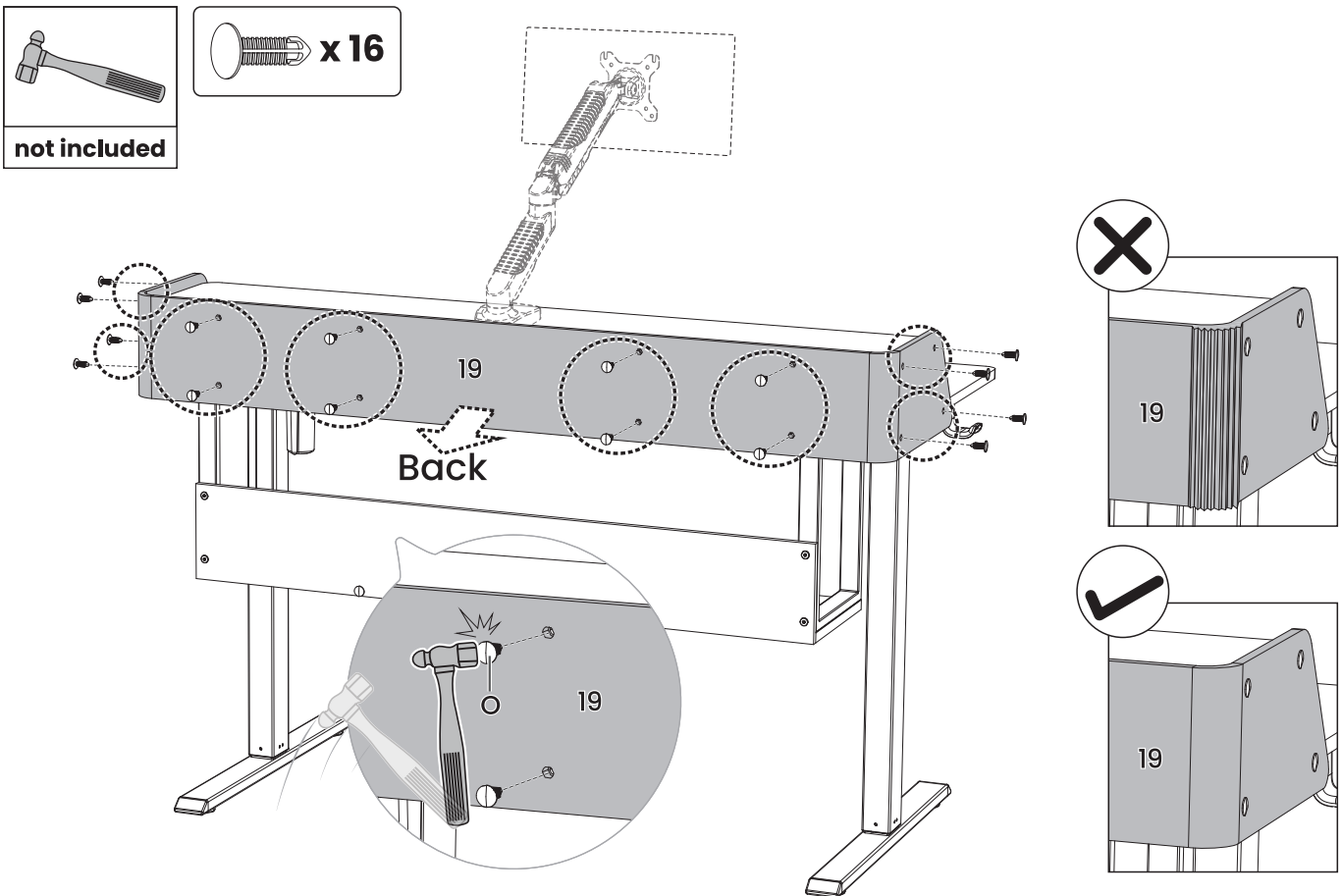
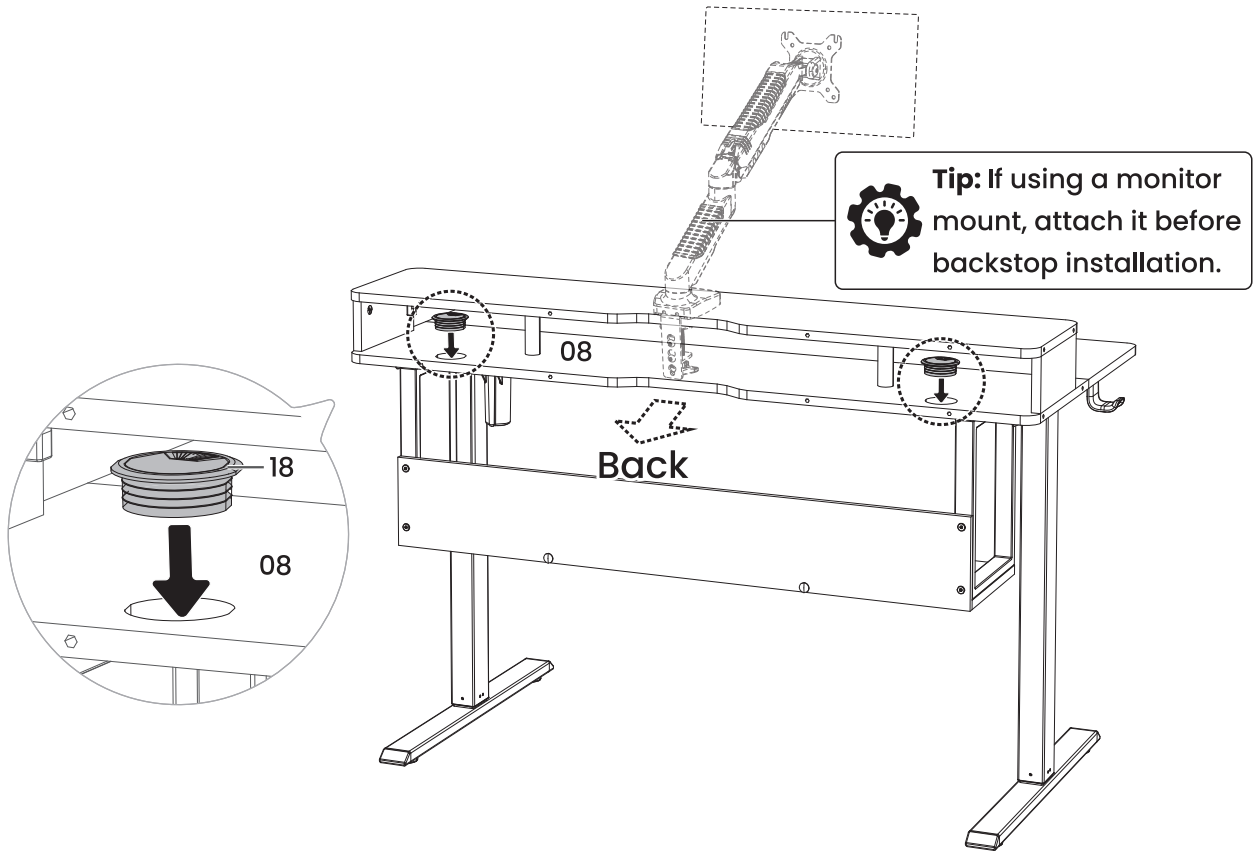
Tip: An example of a cable clip layout is indicated below. However, the cable clips can be arranged according to your needs.



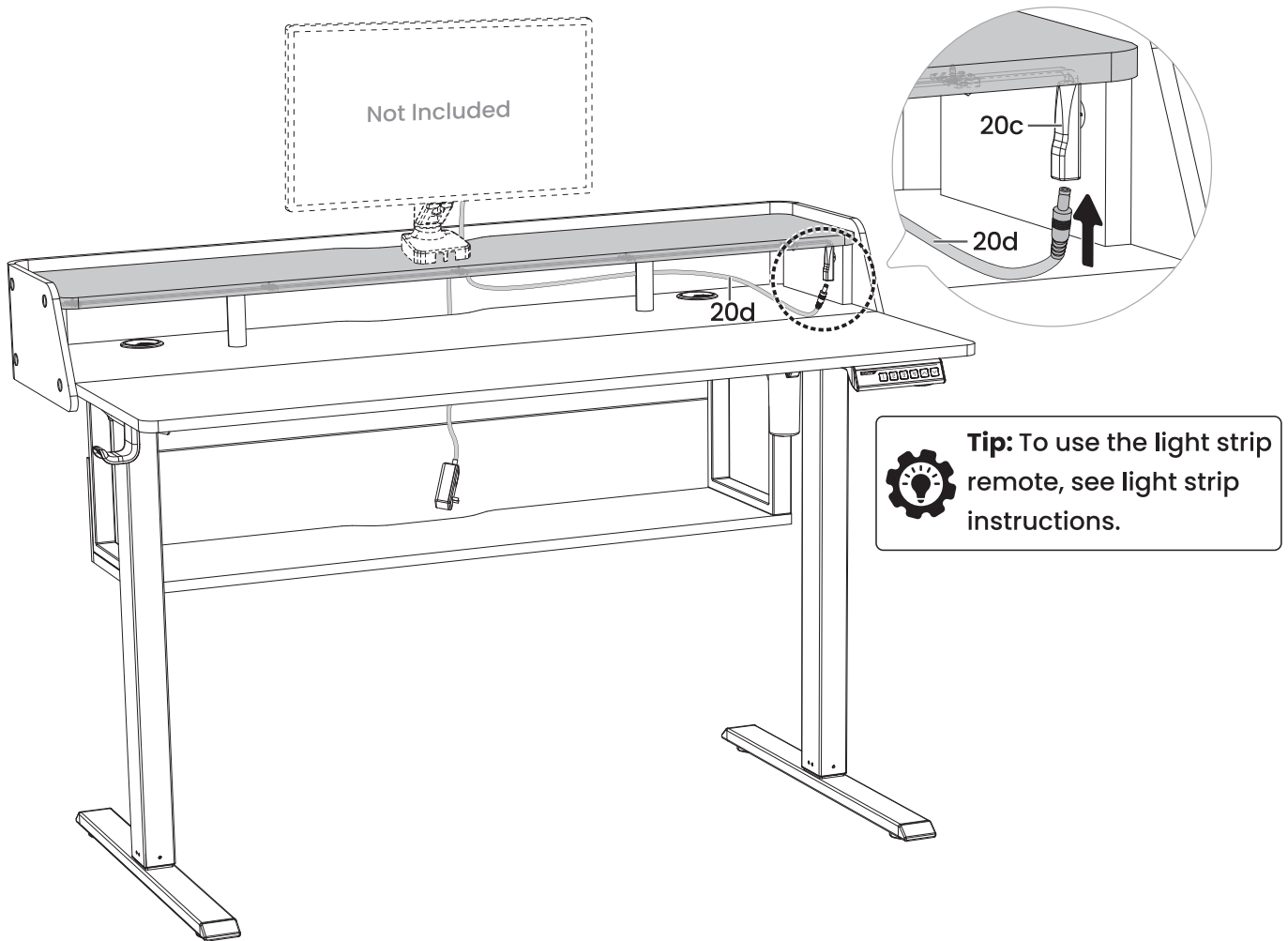
Note: When flipping the desk over, do not allow the controller to collide with the ground, which could cause damage.

Step 5

Attaching the Grommets and Top Shelf Backstop



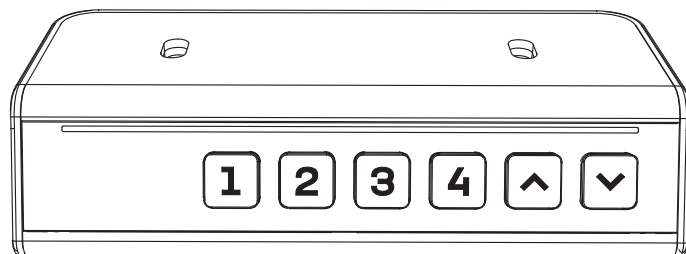
Step 6 Connecting the Light Strip



Using the Controller



Reset before first use.



Note: Ensure there are no obstacles when using the desk, that the desktop is not too close to the wall, and that all cables are long enough for the desk to move up and down freely. When the controller screen is off (power-saving mode), press any button to wake it before operating.

- Raise Desk (Max height: 46.8"/119cm)
- Lower Desk (Min height: 27.9"/71cm)

Save Height Settings

Four heights can be stored. Press and hold the **1** / **2** / **3** / **4** button for 3 seconds. The screen will flash, and the current height will be stored to that button.

Select Height Setting

Press the **1** / **2** / **3** / **4** button. The desk will move to the height that was previously set for that button. Press any button to stop the desk.

Settings	
Reset	When the desk moves abnormally or the screen display 'RST,' reset is required:
'RST' displays as RST on the screen.	<ol style="list-style-type: none"> 1. Press and hold the <input checked="" type="checkbox"/> button for 5 seconds until the screen displays 'RST,' then release the button. 2. Press and hold the <input checked="" type="checkbox"/> button to enter reset mode. Continue holding until the screen displays the current height again, then reset is complete. Reset clears preset heights, but the highest & lowest limits will be retained.
Lock/Unlock	Press and hold 1 and 2 buttons together for 3 seconds to turn the lock on. The screen will display 'LOC' and the buttons will be disabled. Repeat to turn the lock off.
Change Display Height Units	Press and hold 1 and 3 buttons together for 3 seconds to switch the display height unit. The default unit is imperial.
Change Collision Detection Sensitivity	<ol style="list-style-type: none"> 1. Press and hold 1 and 4 buttons together for 3 seconds and 'S02' will flash on the screen. The last digit displayed is the current sensitivity level, and the value range is 0–3 (0: off; 1–3: highest to lowest). 2. Select other levels by pressing <input type="checkbox"/> or <input checked="" type="checkbox"/> button, then press and hold 1 and 4 buttons together for 3 seconds. The digits will stop flashing and the screen will display the current height again. <p>Note: Sensitivity is preset to Normal by the factory. However, sensitivity may be adjusted if needed.</p>
Set/Clear Lowest Limit	<ol style="list-style-type: none"> 1. To set the lowest height limit, press and hold <input checked="" type="checkbox"/> and 1 buttons together for 3 seconds. The screen will display '-dO.' Whenever the desk reaches the lowest limit, the screen will display '-LO.' 2. To clear the lowest height limit, move the desk down to the lowest height (screen displays '-LO'), then press <input checked="" type="checkbox"/> and 1 buttons together for 3 seconds. '-dO' will flash on the screen and the limit will be cleared. <p>Note: The lowest limit shall be at least 0.2"/5cm shorter than its highest limit.</p>
Set/Clear Highest Limit	<ol style="list-style-type: none"> 1. To set the highest height limit, press and hold <input type="checkbox"/> and 1 buttons together for 3 seconds. The screen will display '-UP.' Whenever the desk reaches the highest limit, the screen will display '-HI.' 2. To clear the highest height limit, move the desk up to the highest height (screen displays '-HI'), then press <input type="checkbox"/> and 1 buttons together for 3 seconds. '-UP' will flash on the screen and the limit will be cleared. <p>Note: The highest limit shall be at least 0.2"/5cm taller than its lowest limit.</p>
Troubleshooting	
<ol style="list-style-type: none"> 1. Please try resetting the desk if you have any issues including the following: <ul style="list-style-type: none"> • Abnormal operation. • The controller screen displays 'RST' (reset). • The controller screen displays error message E07-E10, but the motor cable is connected correctly. 2. If the controller screen displays 'H01,' please wait 20 minutes for the motor to cool down before making any further height adjustment. 	