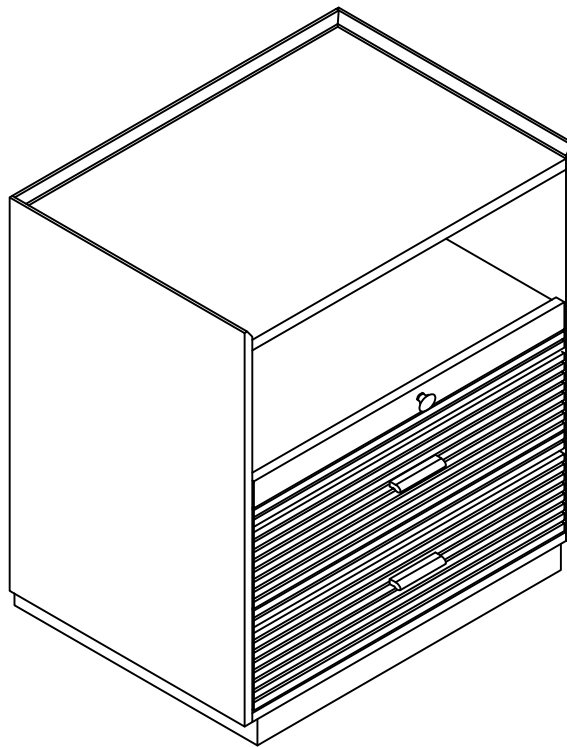


Owner Manual

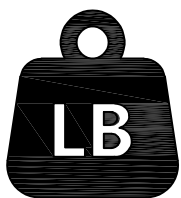


NOTE:

This brochure contains IMPORTANT safety info. Please read and keep for future reference.

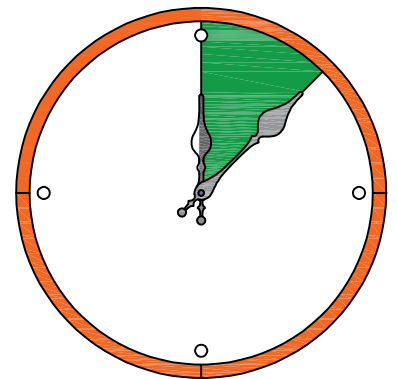
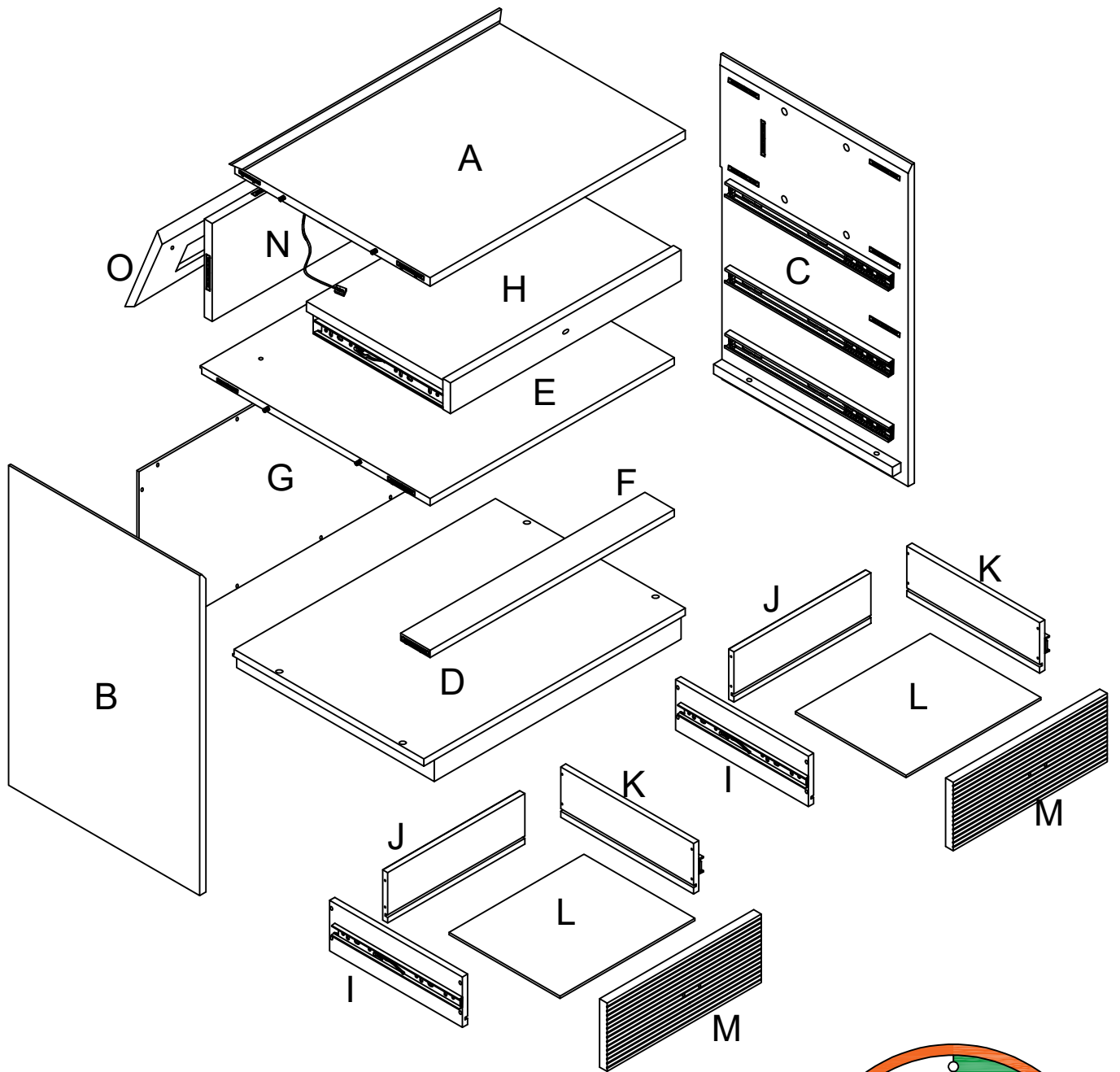
MAINTENANCE AND WARNING

- 1.Keep furniture away from heat sources.
- 2.Do not clean furniture with harsh cleaner or polishes.Do not use detergents,solvents,abrasives,spray packs or leather cleaner. Use non-color mild soap with warm water to clean spills(Mix 1:10 soap to water).
- 3.Do not place furniture under direct sunlight,material will possibly fade over time.
- 4.Do not use on site dry cleaning machine.Children should not climb or jump on the furniture.
- 5.Do not write on furniture that is not protected by a padded barrier.
- 6.Not for commercial use,only for residential use.



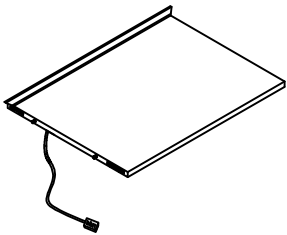
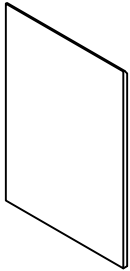
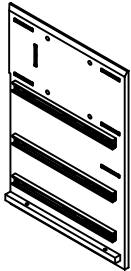
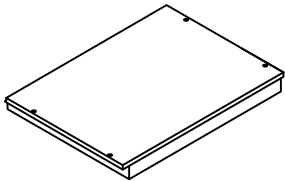
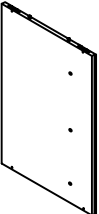
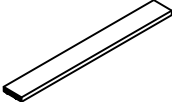
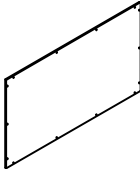
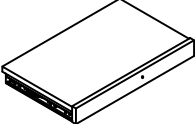
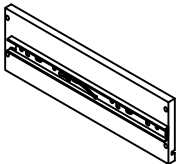
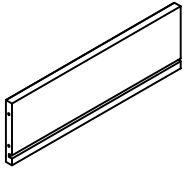
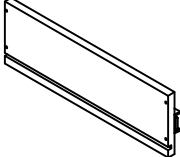
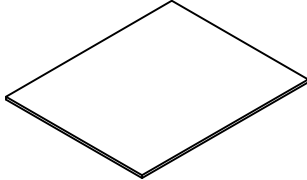
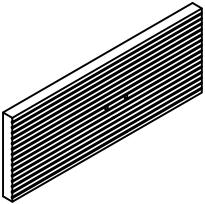
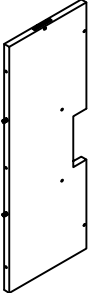
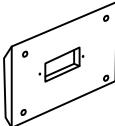
Weight Limitation

100 LBS





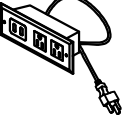





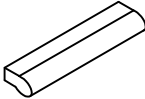

Around **50** min


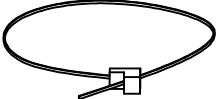


PARTS LIST

A	x1	B	x1	C	x1	D	x1
							
E	x1	F	x1	G	x1	H	x1
							
I	x2	J	x2	K	x2	L	x2
							
M	x2	N	x1	O	x1		
							

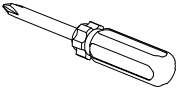
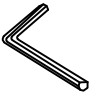
HARDWARE LIST

1#	x4	2#	x2	3#	x2	4#	x14	5#	x1
									
φ1/4"*1-1/4"				φ3*20mm		φ3*15mm			

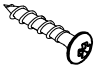


6#	x2	7#	x23	8#	x1	10#	x2	11#	x2
									
φ3*12mm		φ4*25mm		φ4*25mm				φ5/32"*18mm	

12#	x2	13#	x1	16#	x1	17#	x4
							
φ4"*38mm				5/32"*15mm		5/32"*20mm	

TOOL LIST

14#	x1	15#	x1
			
		1/4"	

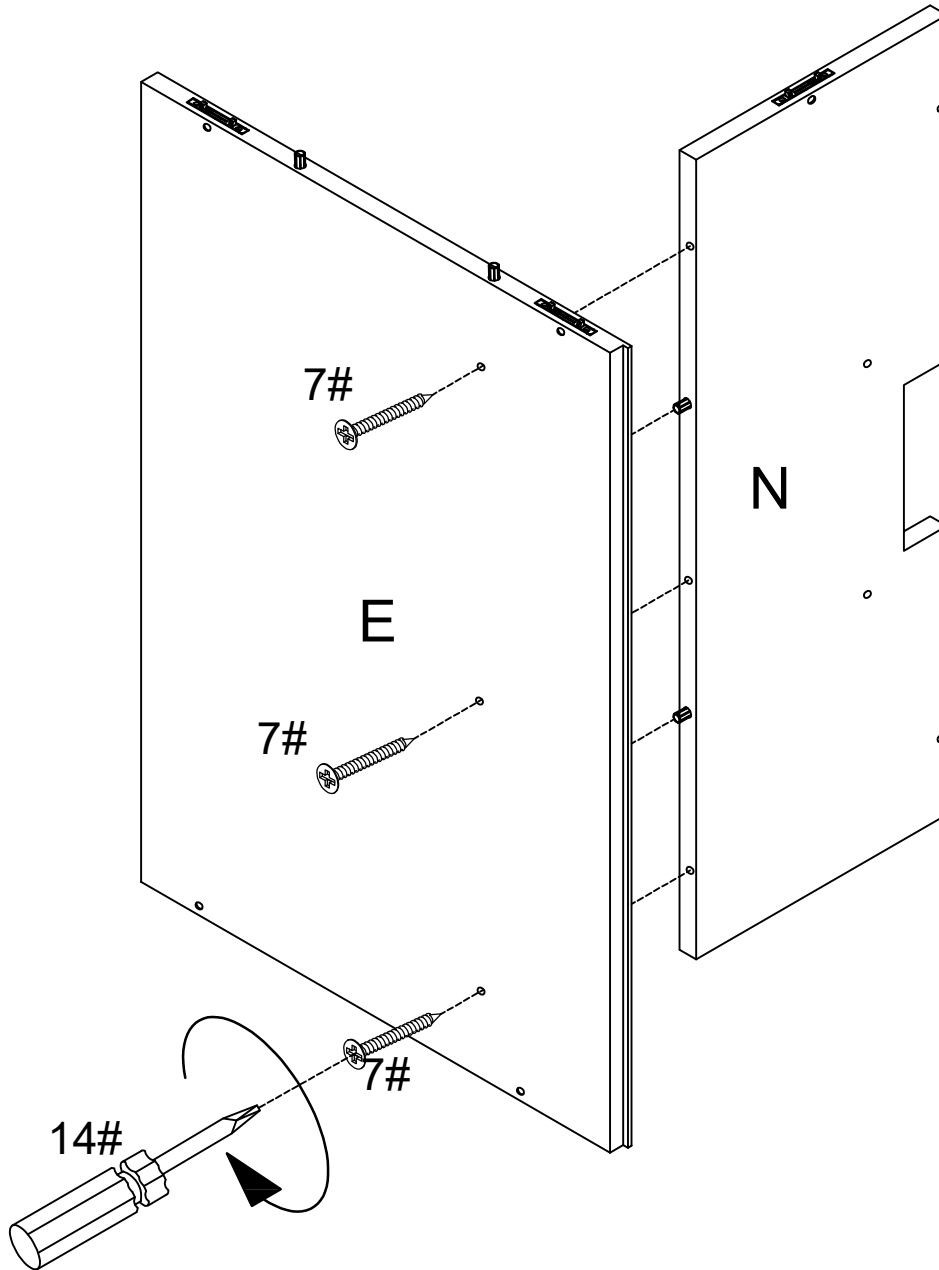
HARDWARE SPARE LIST


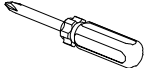
4#	x2	7#	x2	1#	x1
					
φ3*15mm		φ4*25mm		φ1/4"*1-1/4"L	

ASSEMBLY INSTRUCTIONS

STEP-1

1. connect part(E) to part(N) with screw #7, tight screw with screwdriver #14.

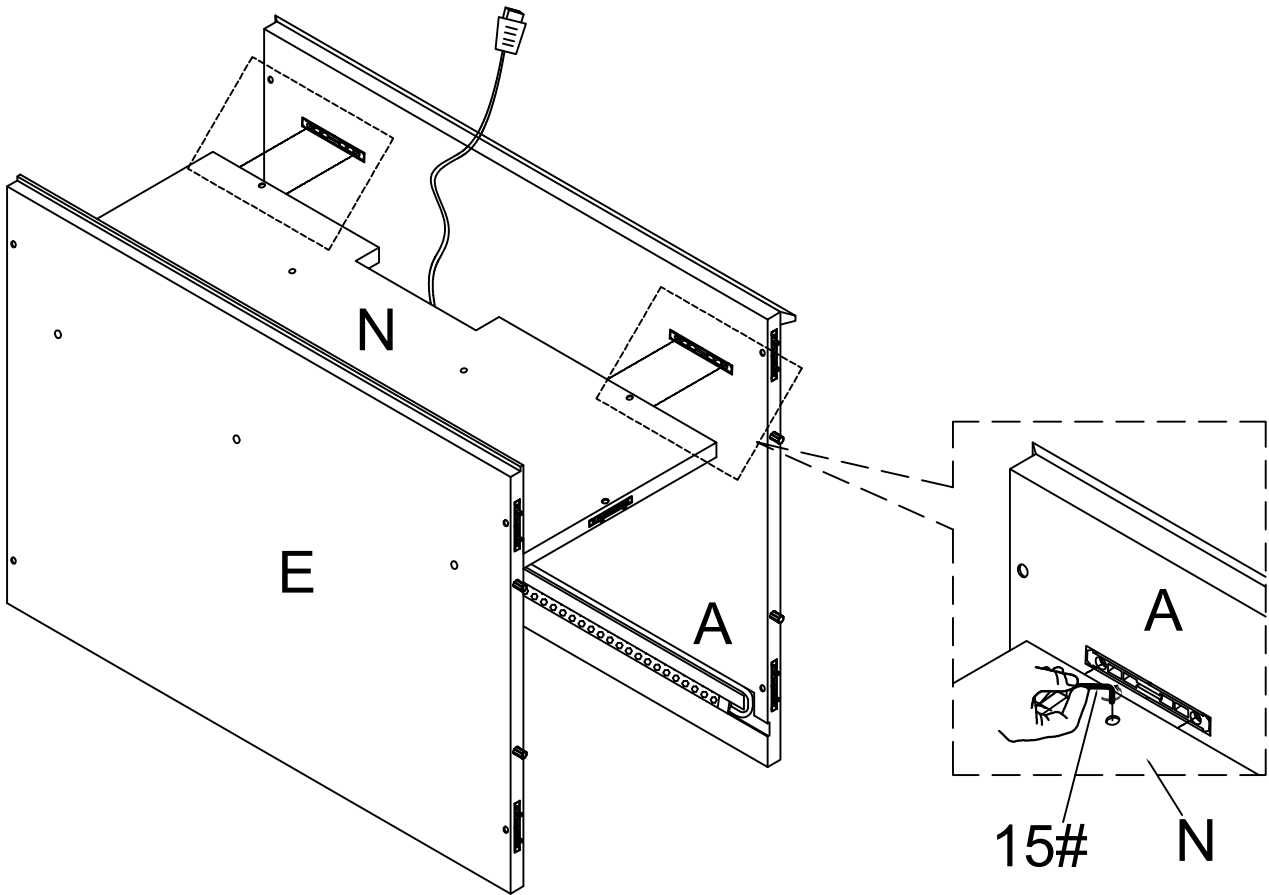


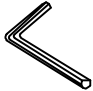
7#	x3	14#	x1
			
φ4*25mm			

ASSEMBLY INSTRUCTIONS

STEP-2

1.insert top panel(A) to the unit pre-assembled at step 1 ,make sure all holes aligned and tight it with allen wrench #15.

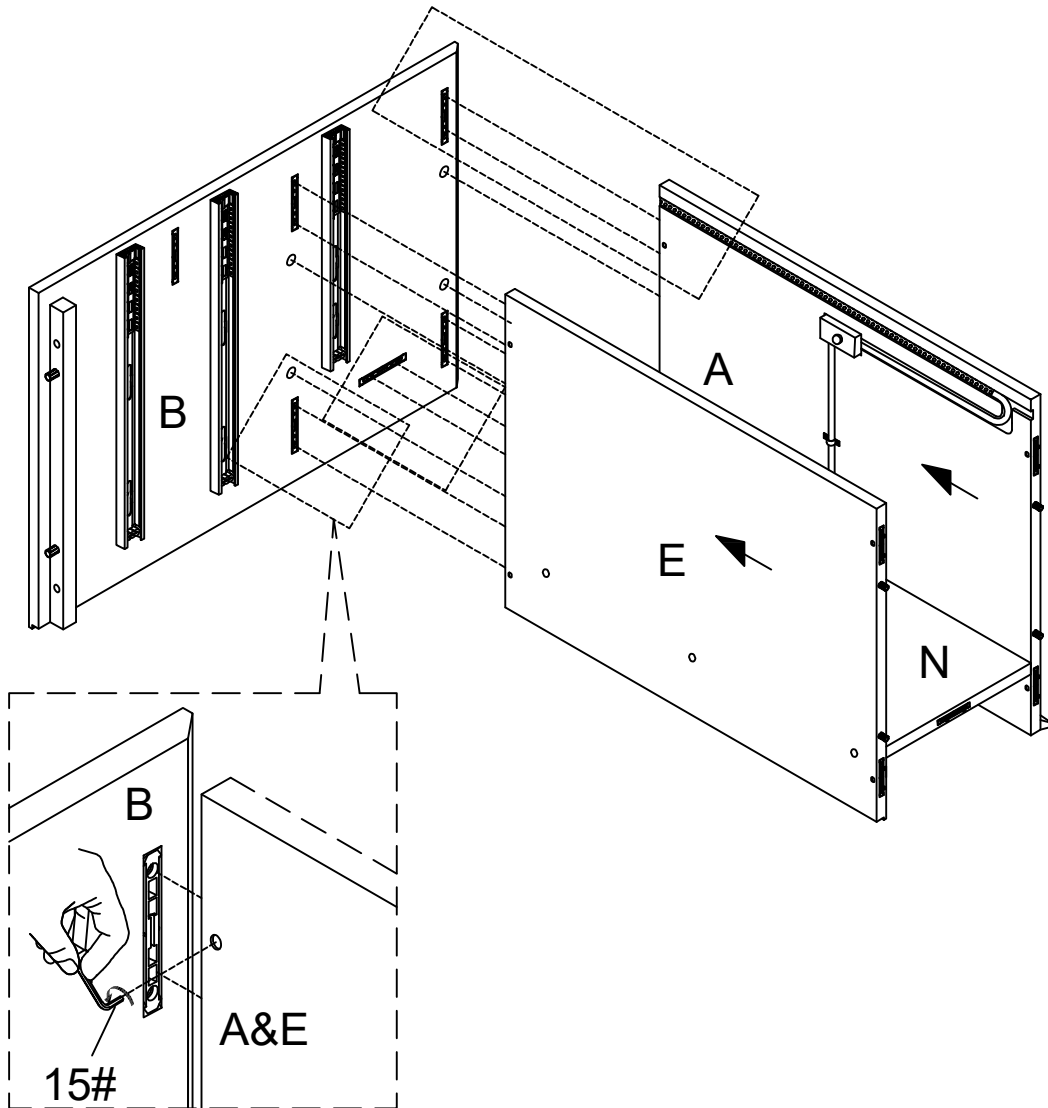


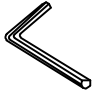
15#	x1
	
1/4"	

ASSEMBLY INSTRUCTIONS

STEP-3

1.insert the unit pre-assembled at step 2 to part(B) ,make sure all holes aligned and tight it with allen wrench #15.

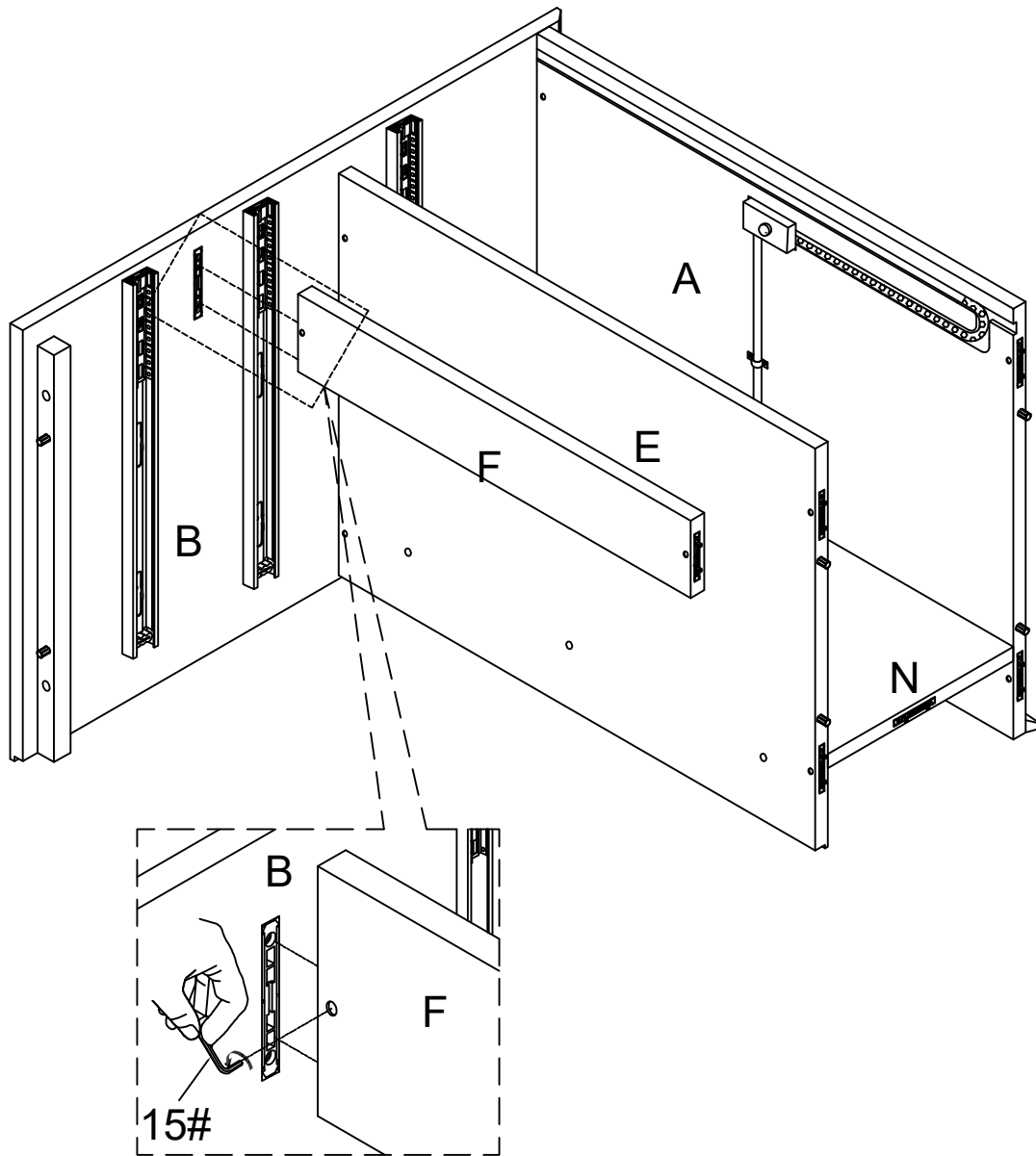


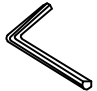
15#	x1
	
1/4"	

ASSEMBLY INSTRUCTIONS

STEP-4

1.insert part(F) to the unit pre-assembled at step 3 ,make sure all holes aligned and tight it with allen wrench #15.

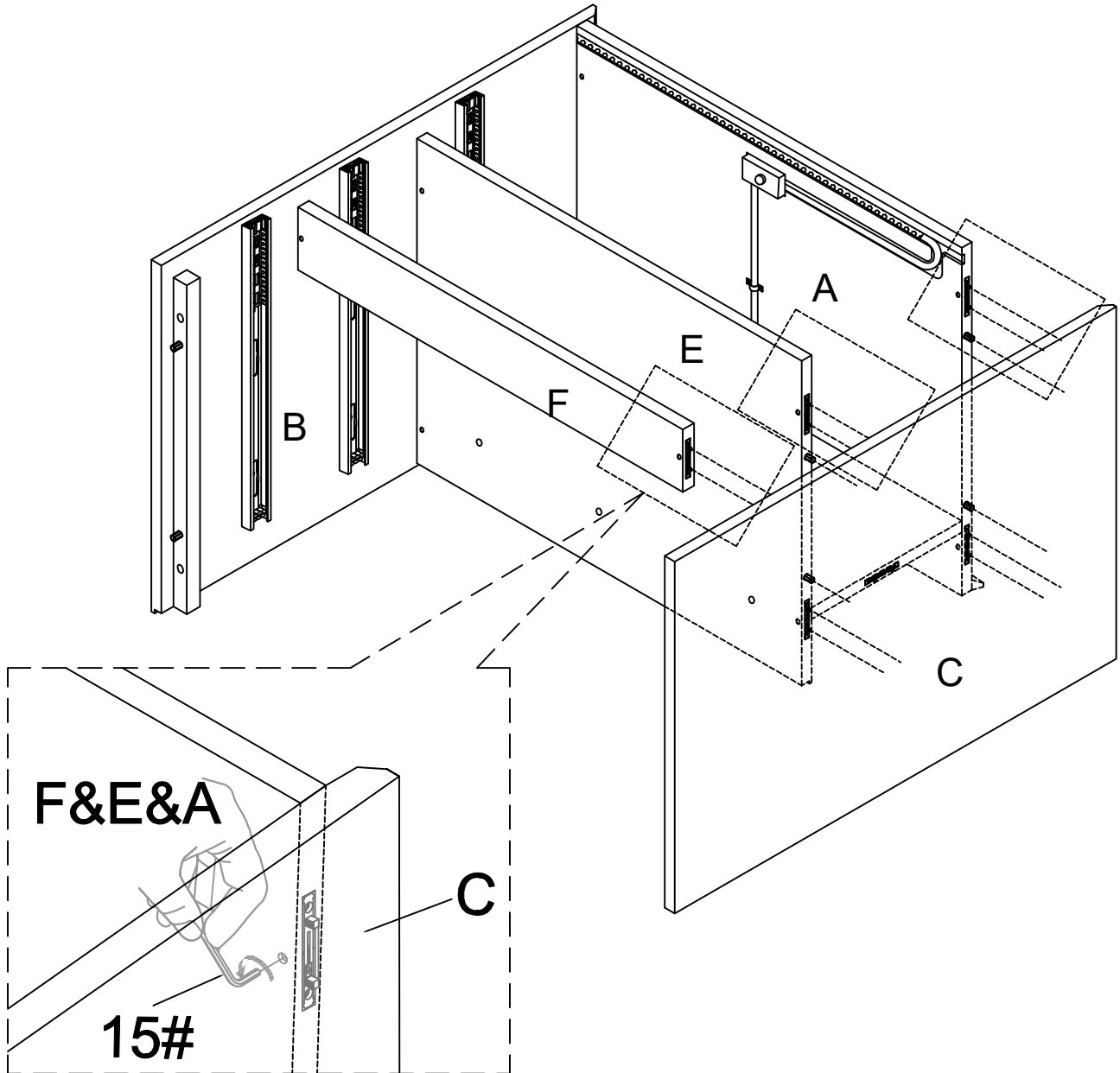


15#	x1
	
1/4"	

ASSEMBLY INSTRUCTIONS

STEP-5

1.insert part(C) to the unit pre-assembled at step 4 ,make sure all holes aligned and tight it with allen wrench #15.

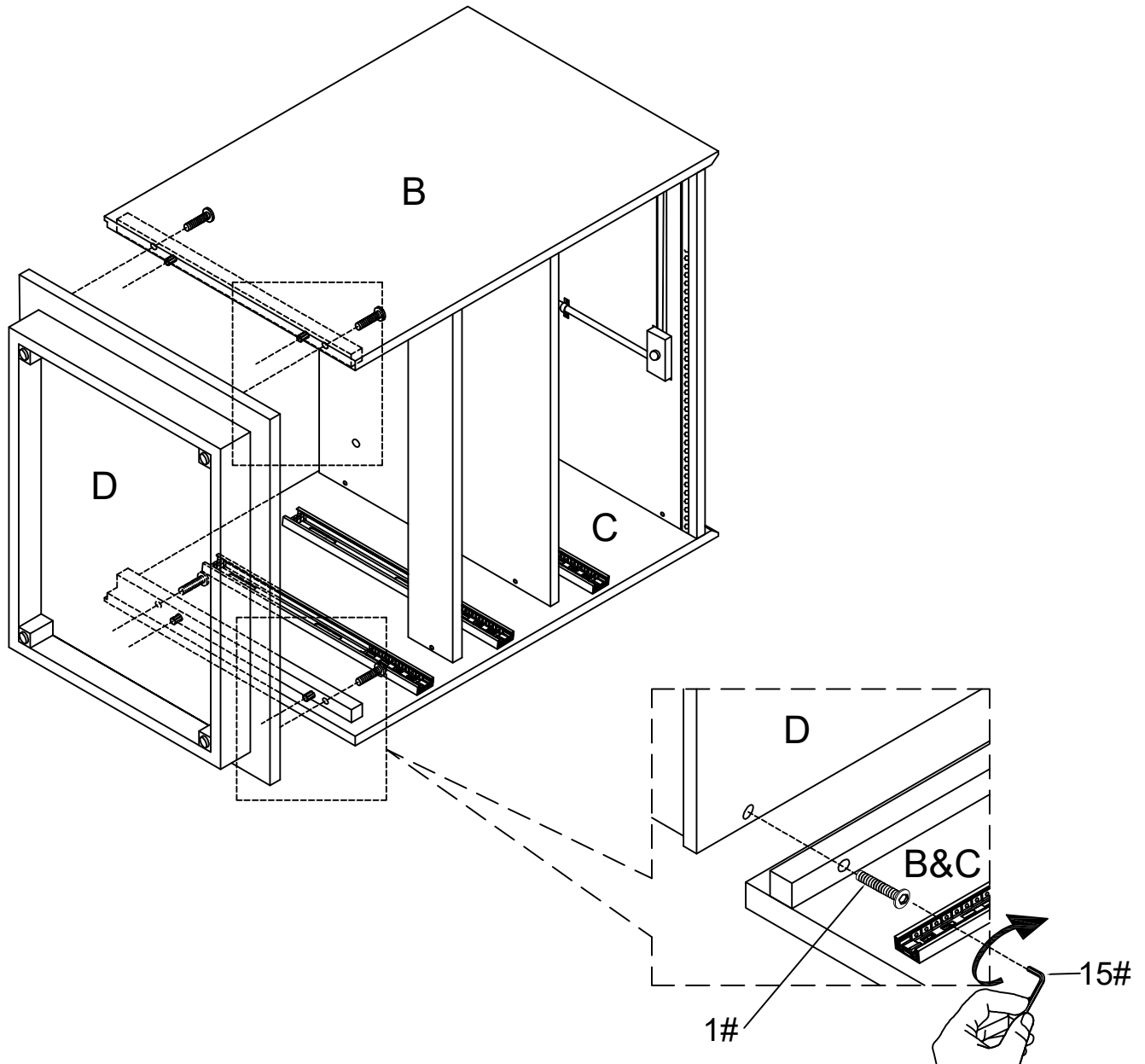




15#	x1
1/4"	

ASSEMBLY INSTRUCTIONS

STEP-6

1. connect part(D) to the unit pre-assembled at step 5 with bolt #1, ,make sure all holes aligned and tight it with allen wrench #15.

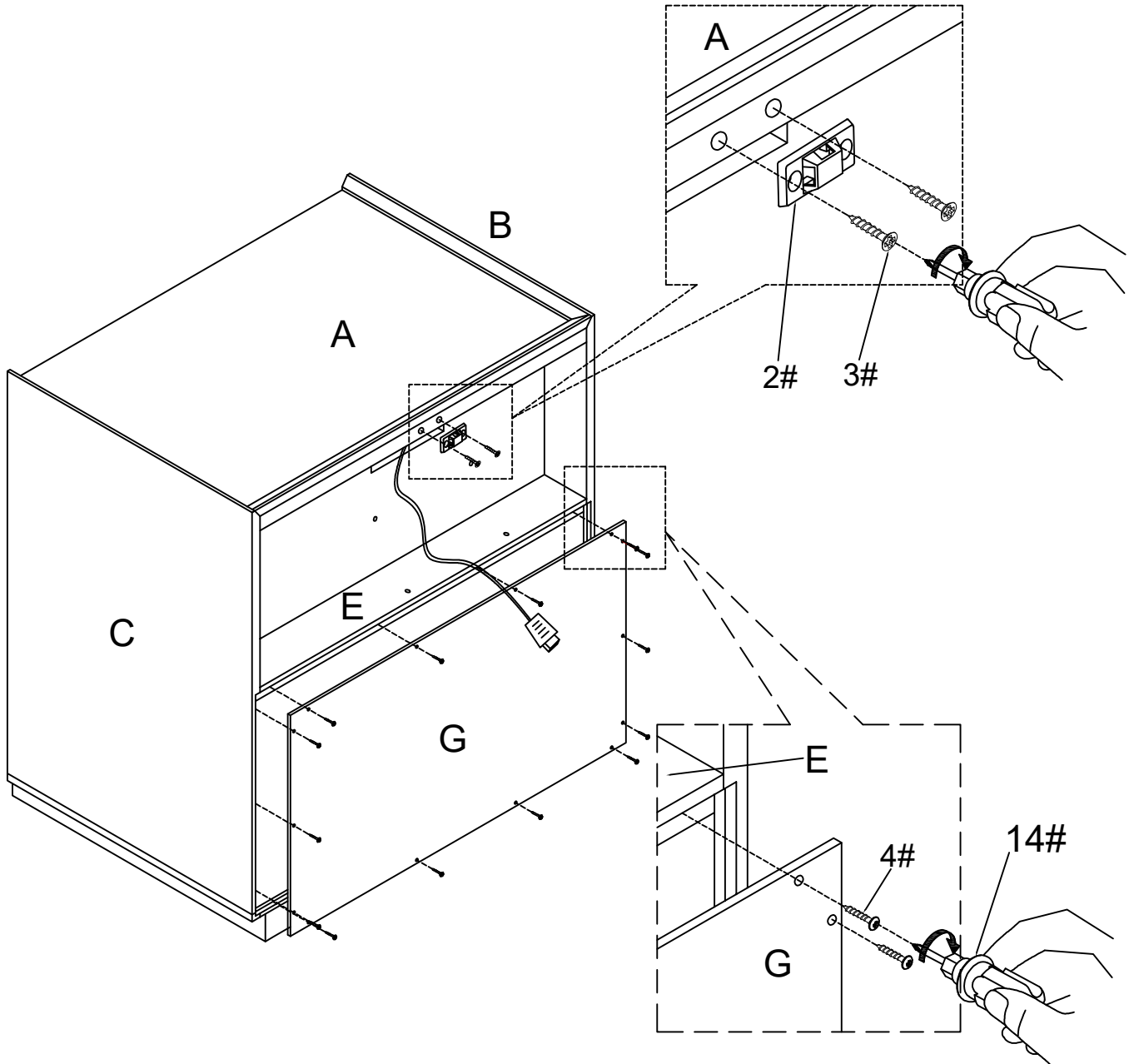


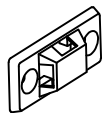


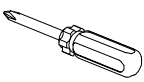
1#	x4	15#	x1
			
1/4" *1-1/4"		1/4"	

ASSEMBLY INSTRUCTIONS

STEP-7

1. connect part(G) to the unit pre-assembled at step 6 with screw#4, tight screw with screwdriver #14.
2. connect part #2 to the unit pre-assembled at step 6 with screw #3, tight screw with screwdriver #14.

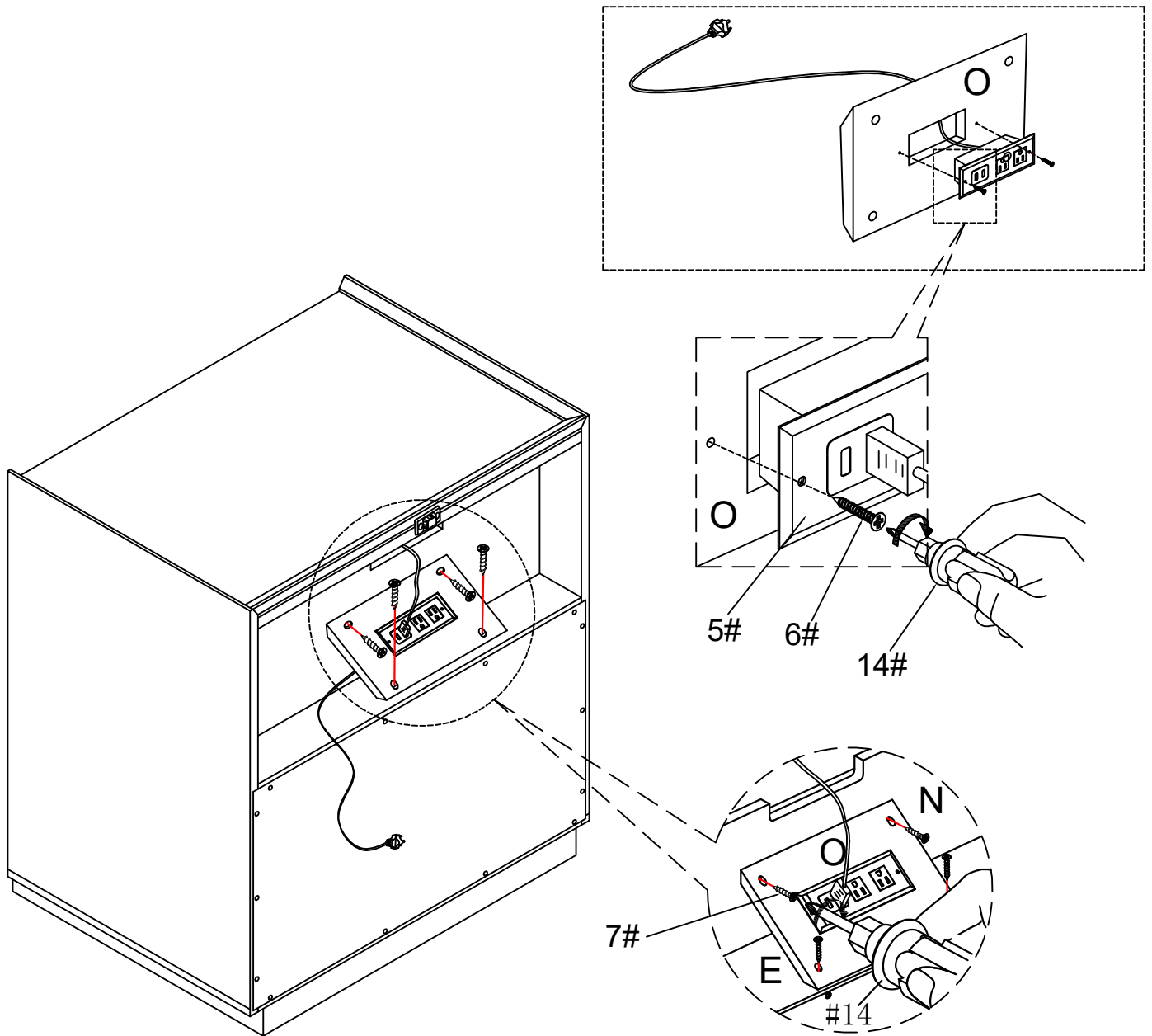


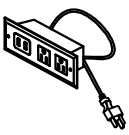

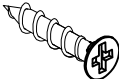
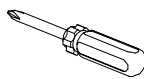
2#	x1	3#	x2	4#	x14	14#	x1
							
		Ø3*20mm		Ø3*15mm			

ASSEMBLY INSTRUCTIONS

STEP-8

1. connect part#5 to part(O) with screw #6, tight screw with screwdriver #14.
2. connect part (O) to the unit pre-assembled at step 7 with screw #7, tight screw with screwdriver #14.

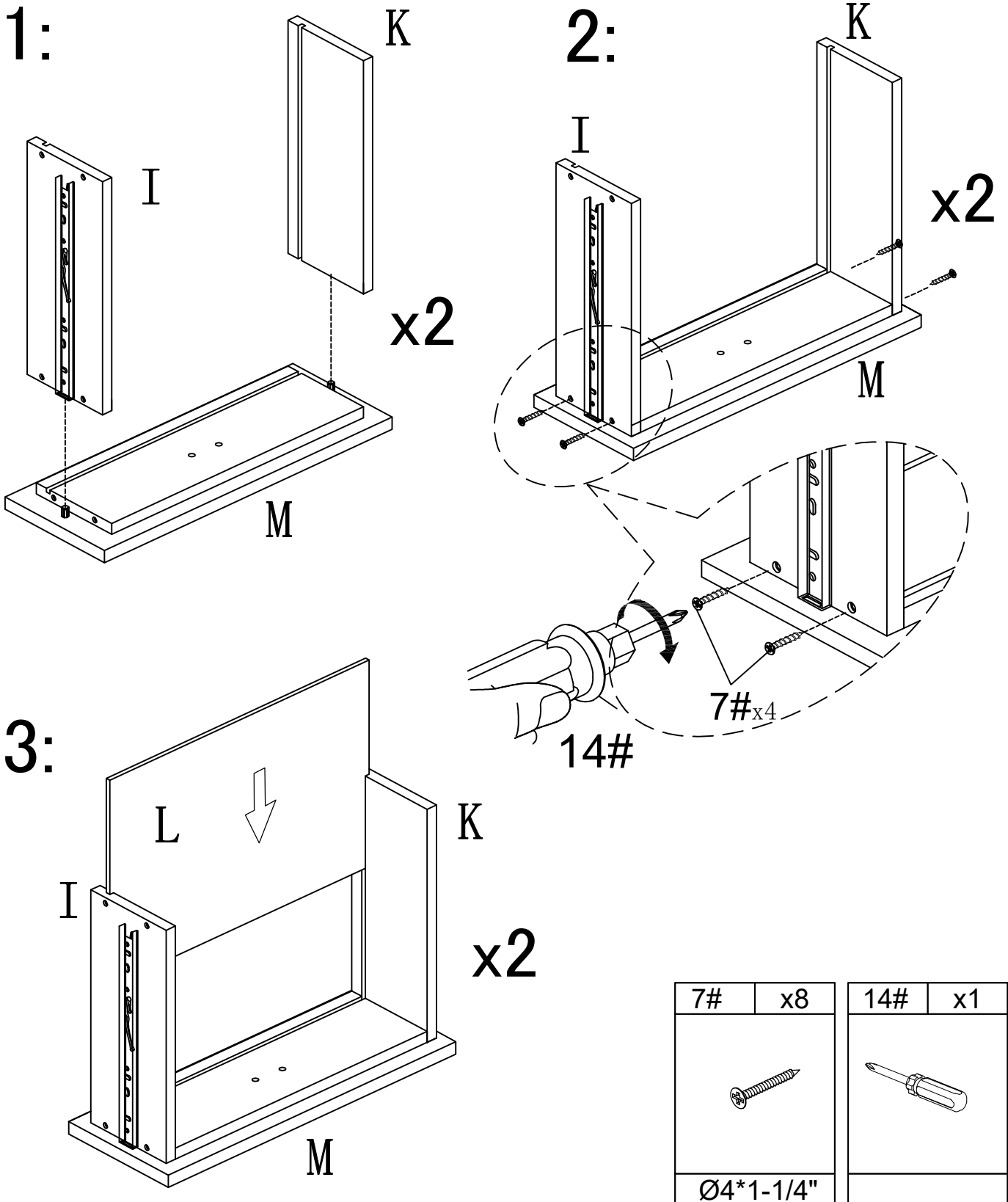


5#	x1	6#	x2	7#	x4	14#	x1
							
		Ø3*12mm		Ø4*1-1/4"			

ASSEMBLY INSTRUCTIONS

STEP-9

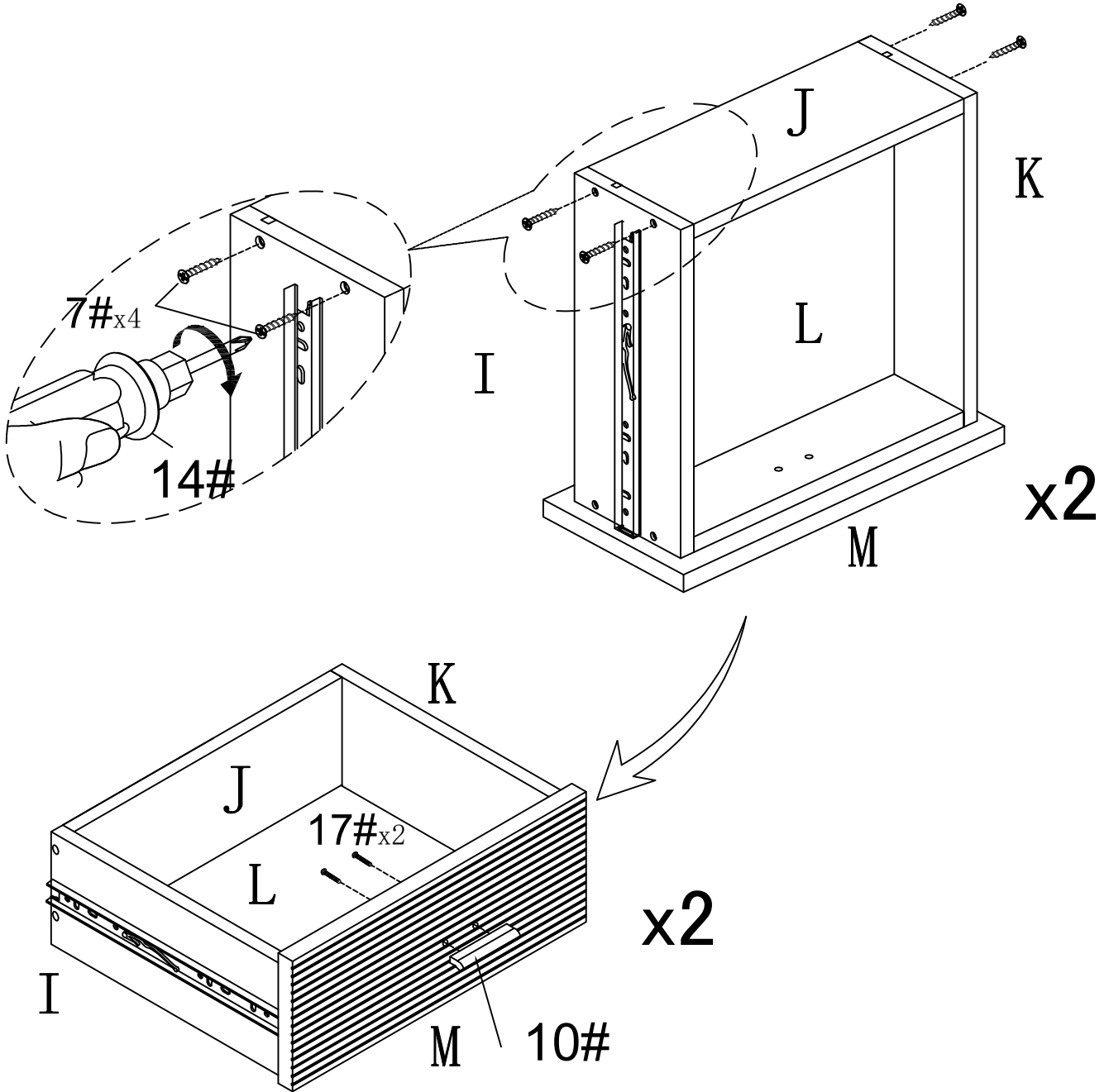
1. connect part(I/K) to part(M) with screw#7, tight screw with screwdriver #14.
2. slid part(L) to part(I/K), make sure it also in the groove of part (M),



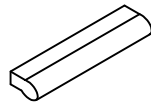
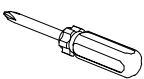


ASSEMBLY INSTRUCTIONS

STEP-10

1. connect part(I/K) to part(J) with screw#7, tight screw with screwdriver #14.
2. connect part #10 to part (M) with small bolt #17, tight bolt with screwdriver #14.

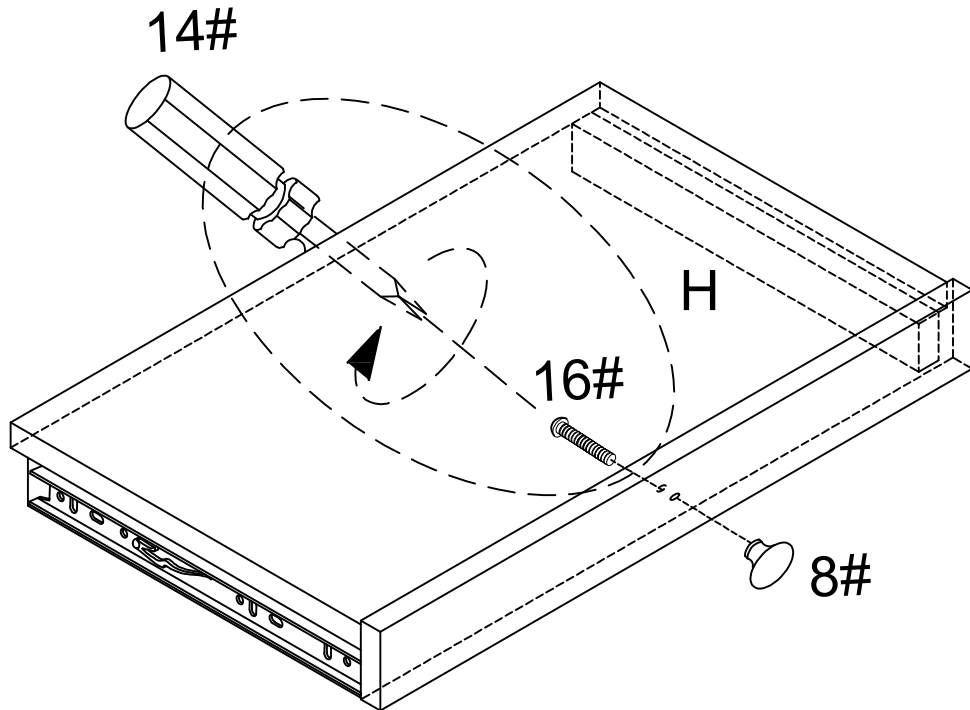




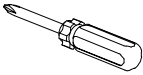
7#	x8	17#	x4	10#	x2	14#	x1
							
Ø4*1-1/4"		5/32"*22mm					

ASSEMBLY INSTRUCTIONS

STEP-11

1. connect part #8 to part (H) with small bolt #16, tight bolt with screwdriver #14.

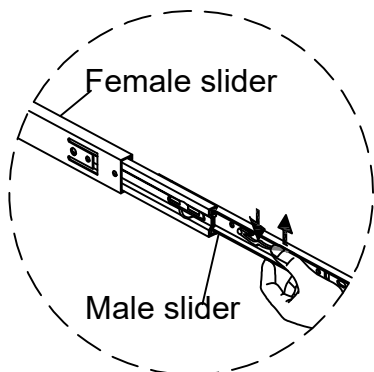
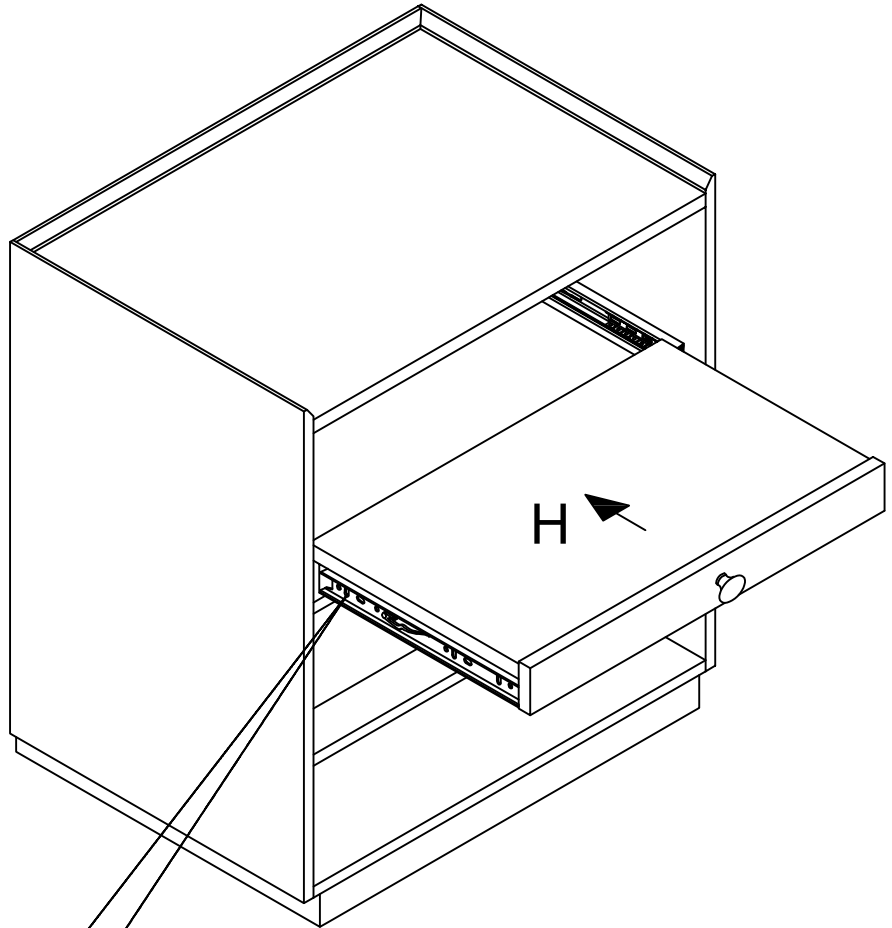


16#	x1	8#	x1	14#	x1
					
5/32"*15mm					

ASSEMBLY INSTRUCTIONS

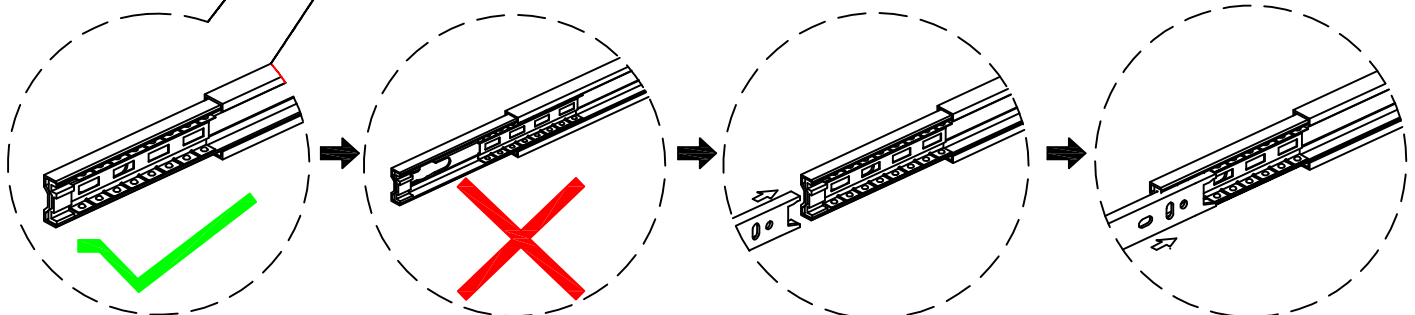
STEP-12

1. attach top drawer to the unit pre-assembled at step 10.



Schematic diagram of slide rail disassembly

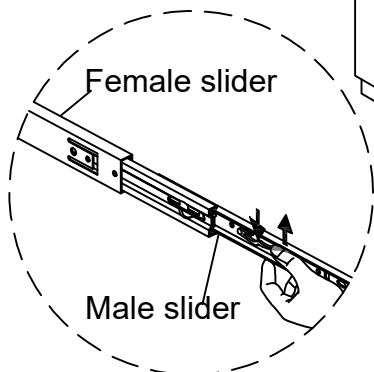
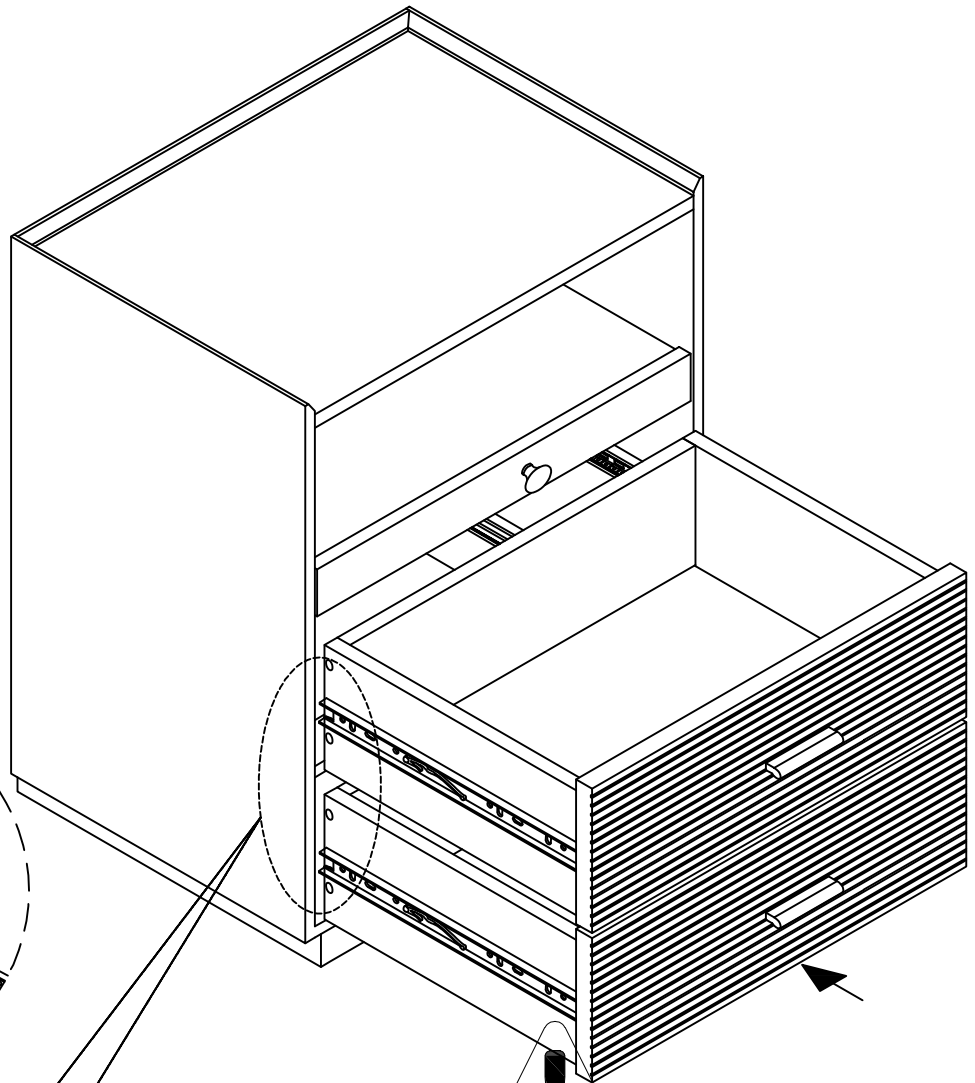
Attention: When installing the drawer, slide the steel ball slide rail of side panel to the most front as picture show.



ASSEMBLY INSTRUCTIONS

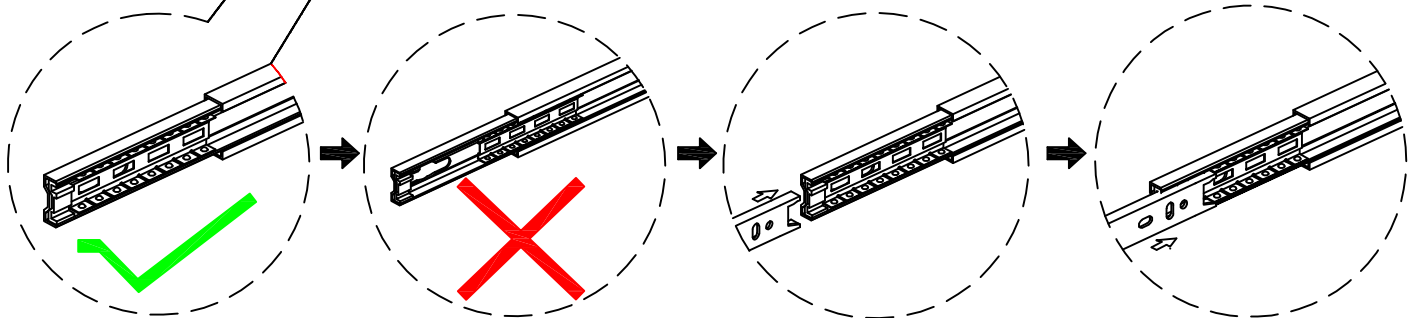
STEP-13

1. attach bottom drawer to the unit pre-assembled at step 11.



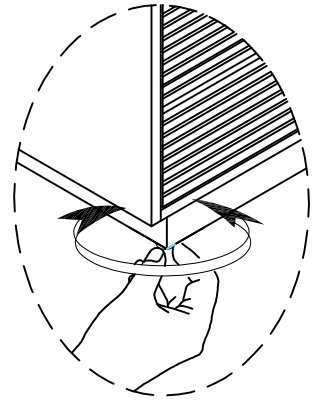
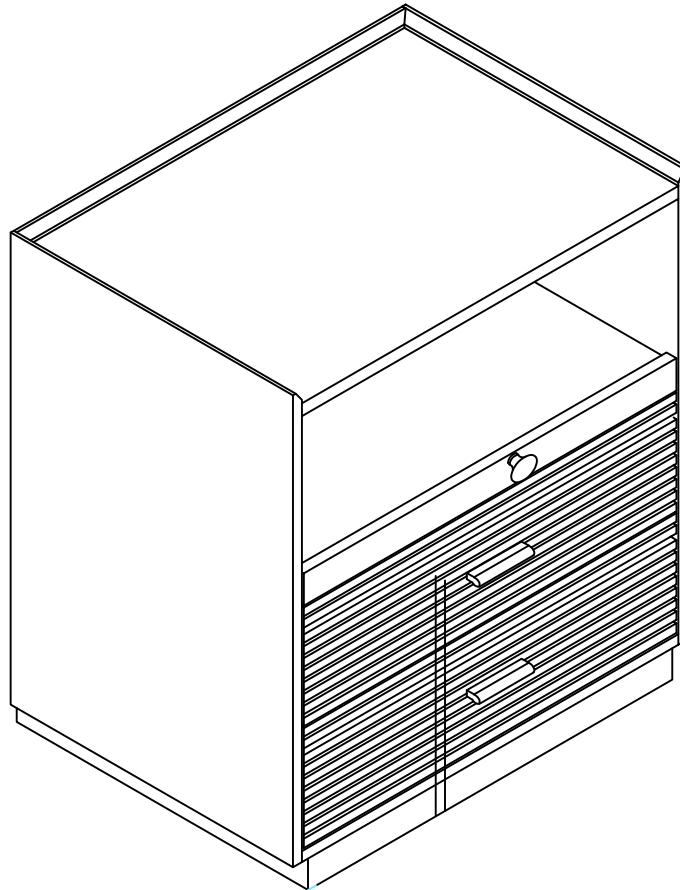
Schematic diagram of slide rail disassembly

Attention: When installing the drawer, slide the steel ball slide rail of side panel to the most front as picture show.

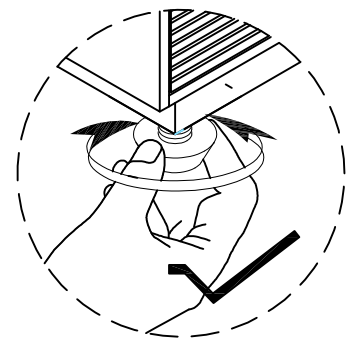
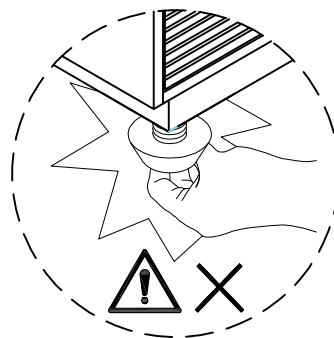


ASSEMBLY INSTRUCTIONS

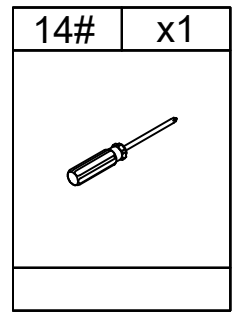
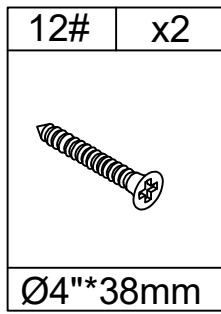
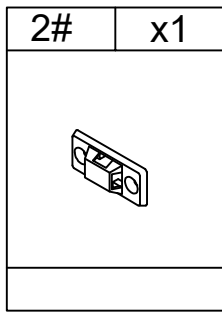
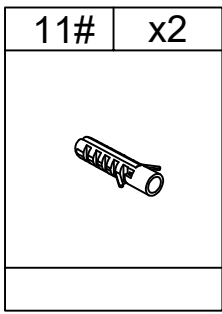
STEP-14



Attention:
After installation, adjust the adjustable leveler to keep the cabinet balanced .



ASSEMBLY INSTRUCTIONS

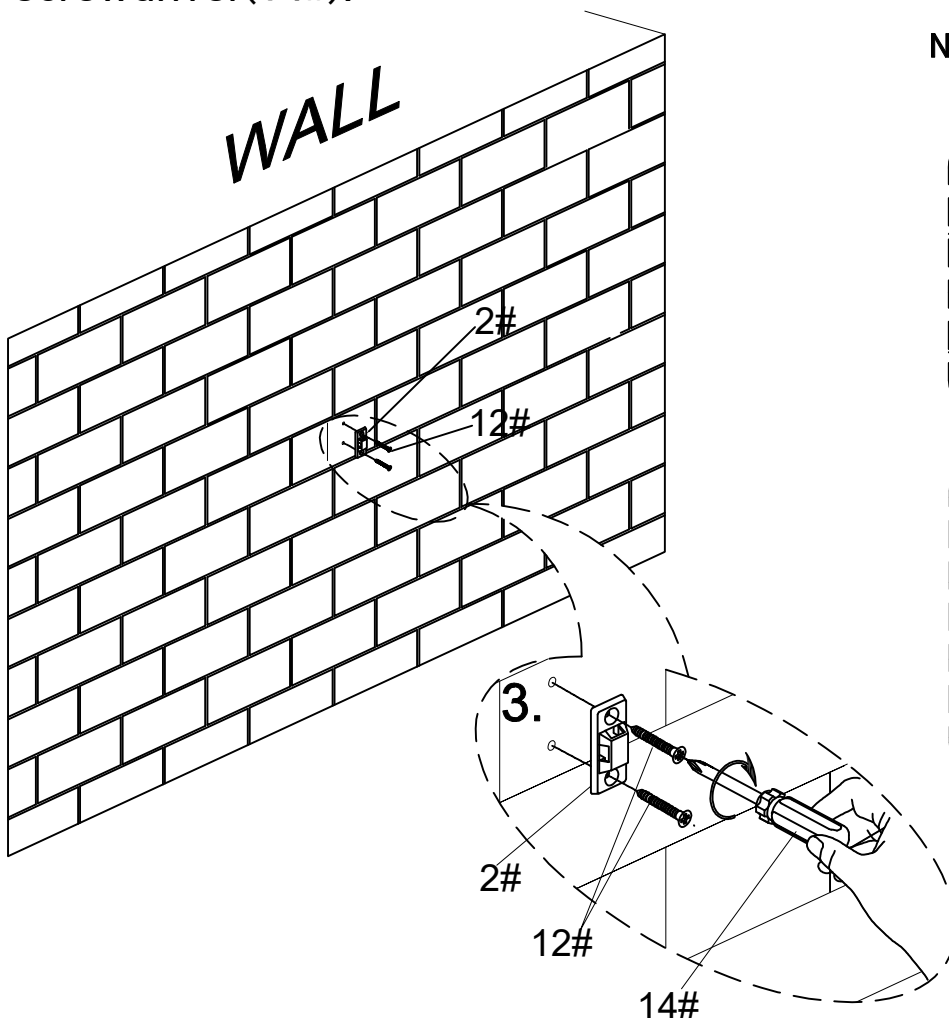


STEP-15

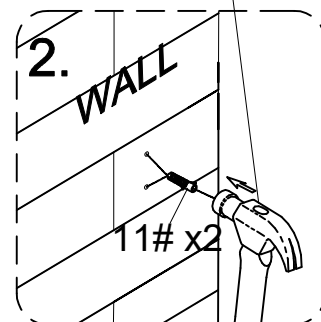
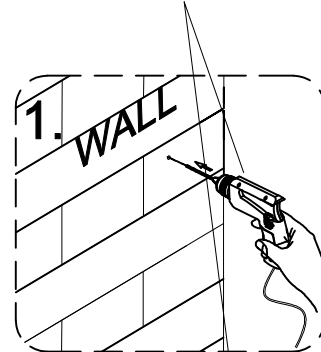
1. Install the anti-collapse device.

2. Mark the position on the wall, that corresponds to the location of part (2#) on the Top panel (A); Drill and insert the expandable screw (11#) by hammer.

3. Assemble the part (2#) to the wall. Align the hole in the part (2#) with the expandable screw (11#), use screw (12#) to attach it and tighten by screwdriver (14#).



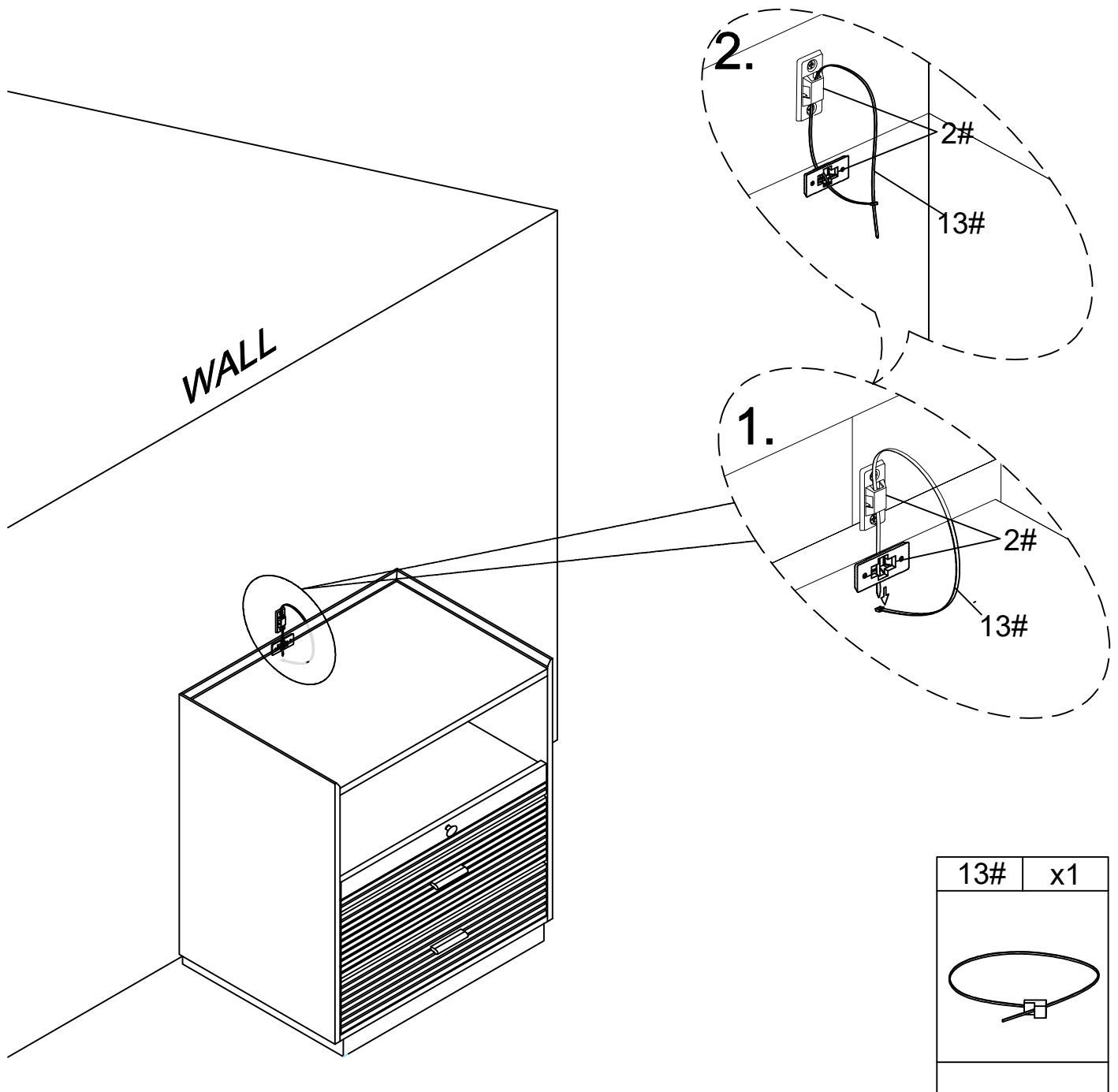
NOT PROVIDED



ASSEMBLY INSTRUCTIONS

STEP-16

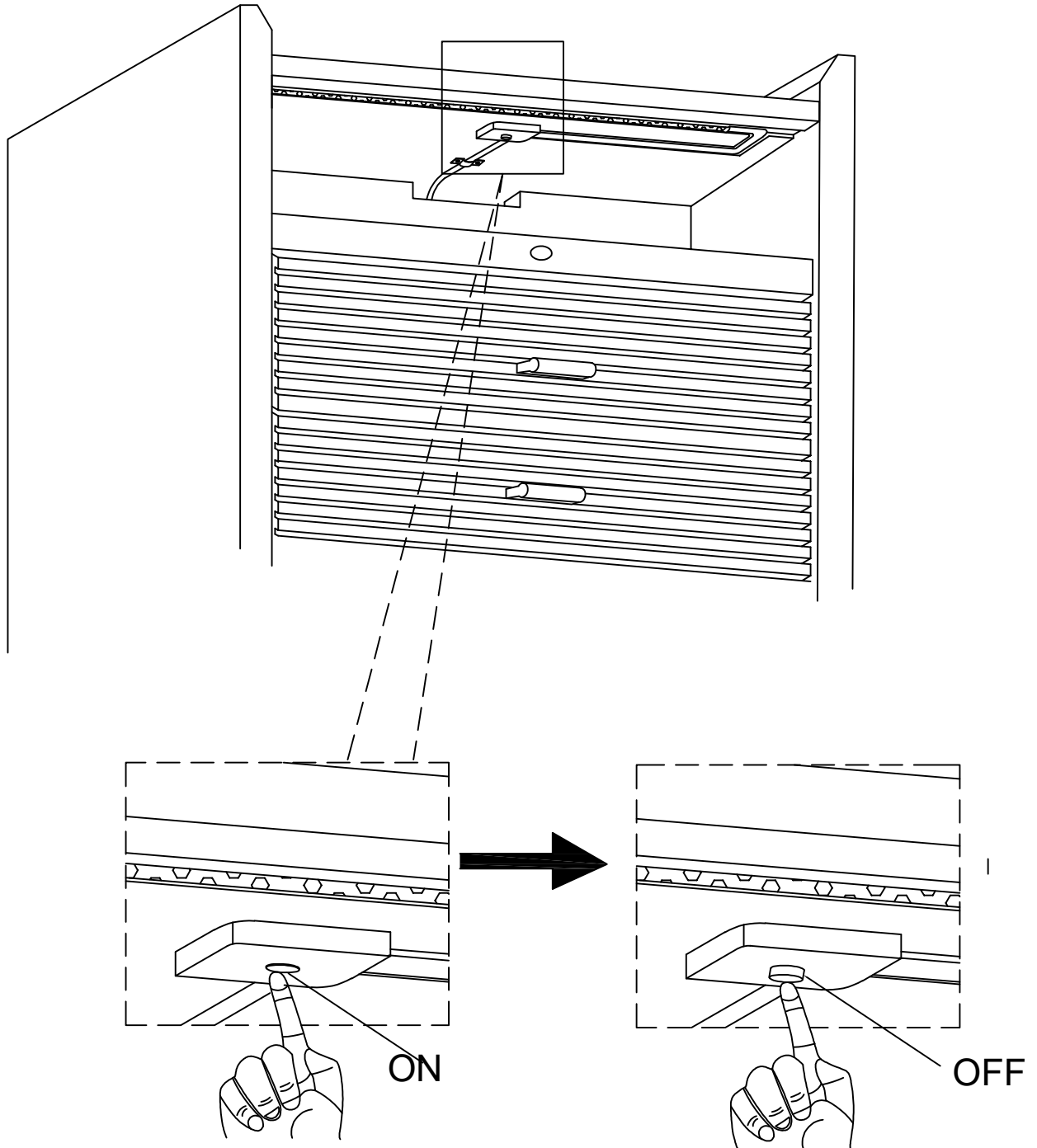
1. Let the plastic belt (13#) pass through the both part (2#) and pull tightly.



ASSEMBLY INSTRUCTIONS

STEP-17

1. you can turn off or on the led light by push the button under the top panel.



WARRANTY

1. We strive to offer high-quality products, and we also try our best to satisfy each and every customer that orders from us with product or service as needed.
2. We provide 30 days warranty starting from the time you receive the item. Each customer must provide a record of their order such as the order number, or item receipt for any items that are out of the warranty period you may also still receive.
3. Replacement parts by purchasing them with our company if they are available.