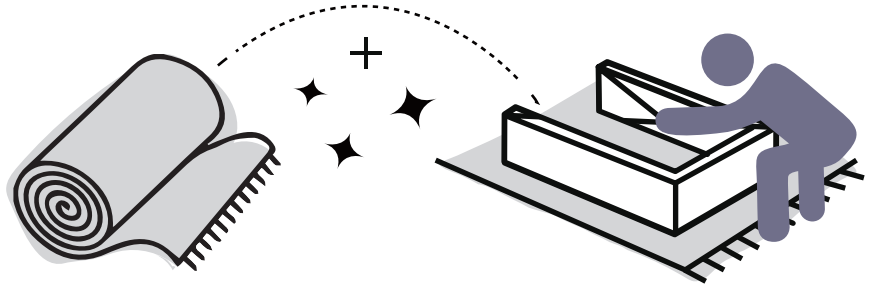


INSTRUCTION MANUAL

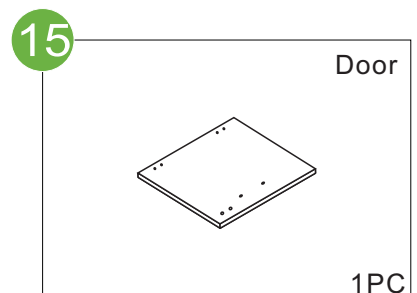
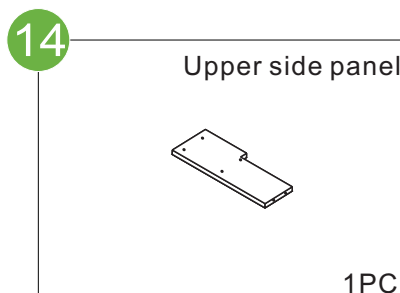
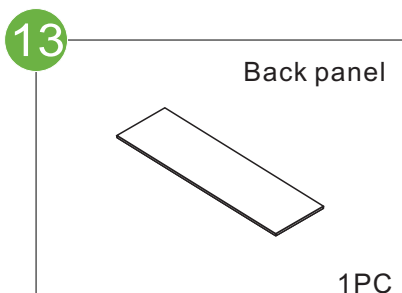
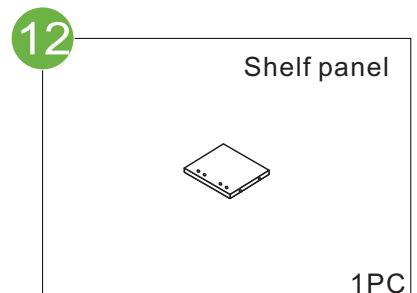
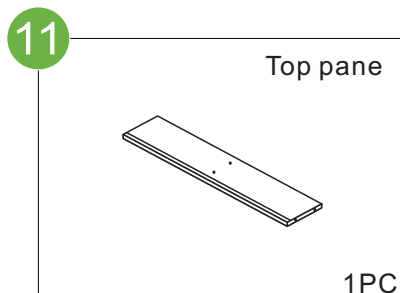
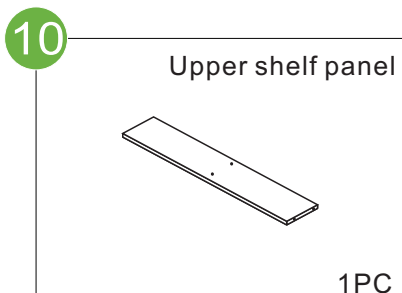
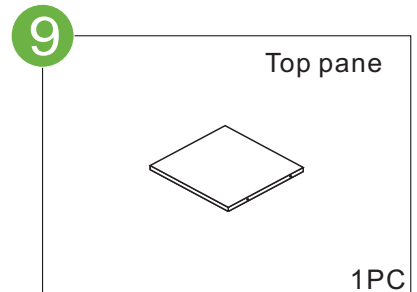
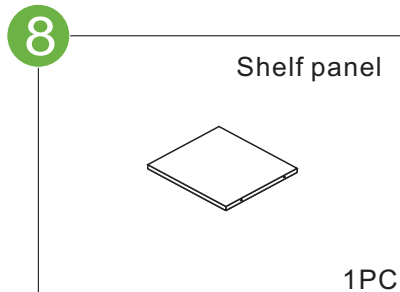
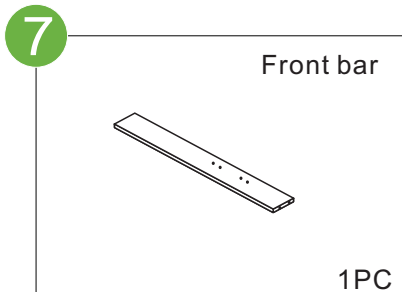
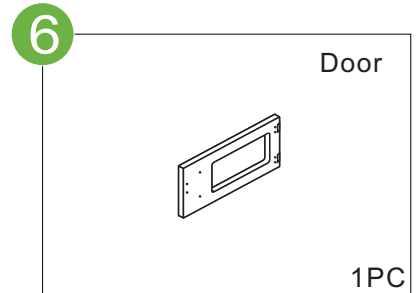
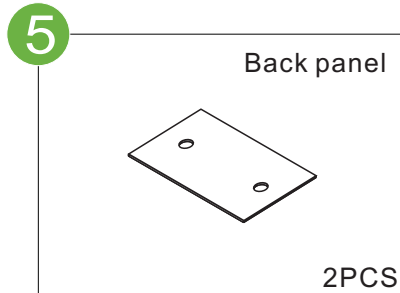
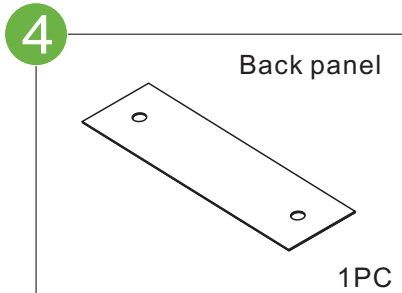
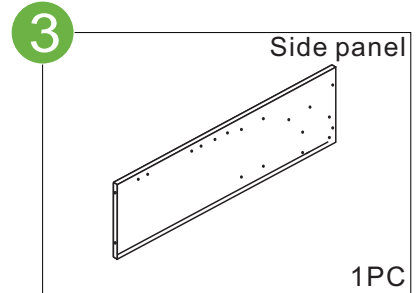
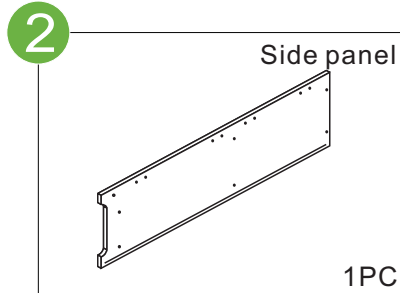
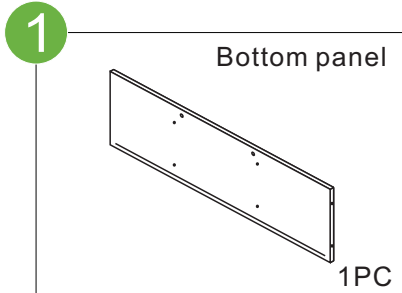
TOOLS REQUIRED



PHILLIPS
SCREWDRIVER

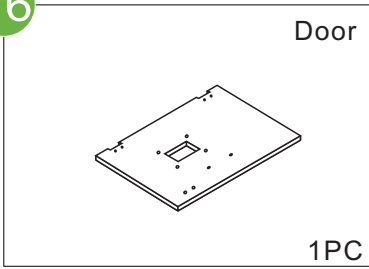


PARTS

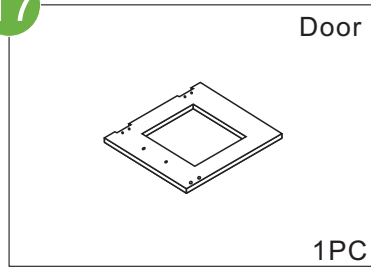


PARTS

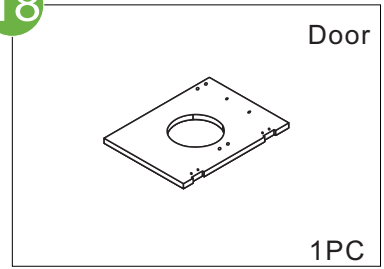
16



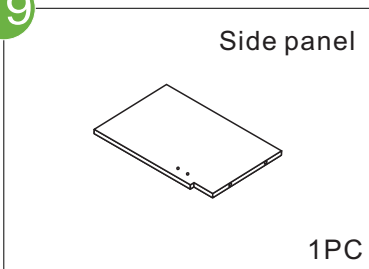
17



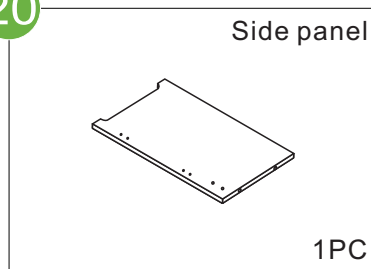
18



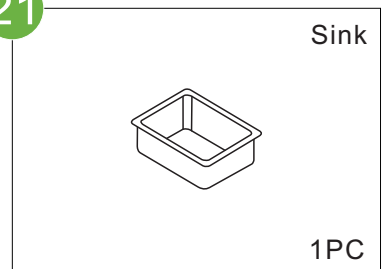
19



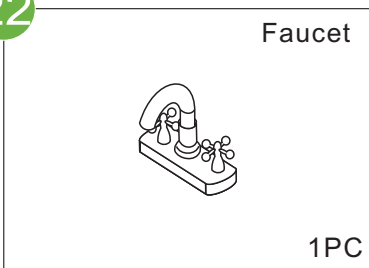
20



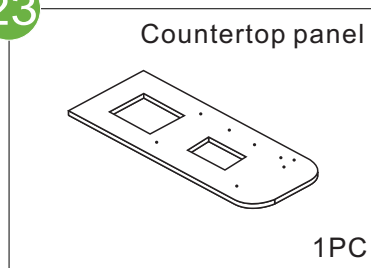
21



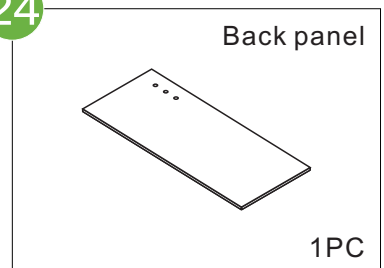
22



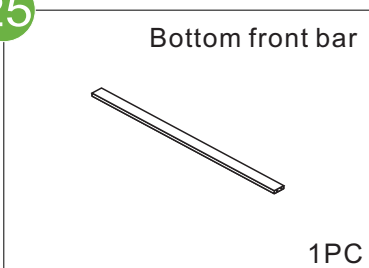
23



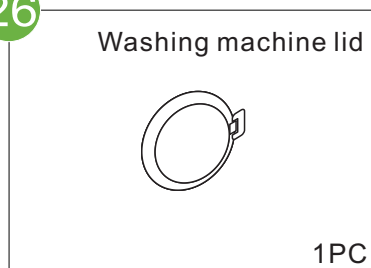
24



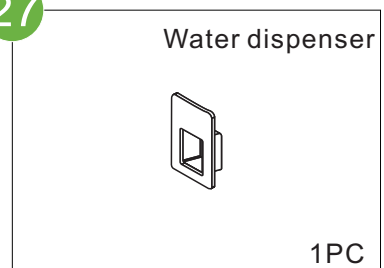
25



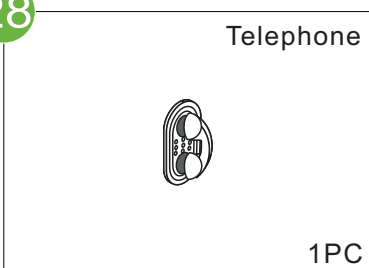
26



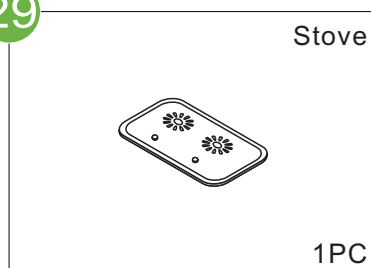
27



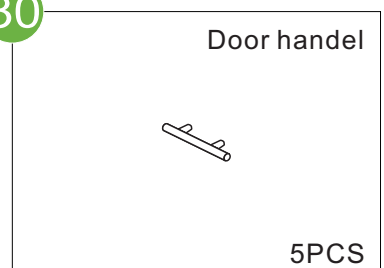
28




29




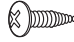
30





HARDWARE

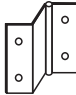
A Screw

M4x35mm
42PCS


B Wooden dowel

M5x25mm
2PCS


C Screw

M4x8mm
36PCS


D Screw

M4x18mm
16PCS


E Screw

M3x8mm
28PCS

F Hinge

8PCS

G Door insert

5PCS


H Door catch

5PCS


J Hook

3PCS


K Screw

3PCS


L Pad

4PCS

M Knob

2PCS

N Hinge

2PCS

O Screw

M4x14mm
2PCS

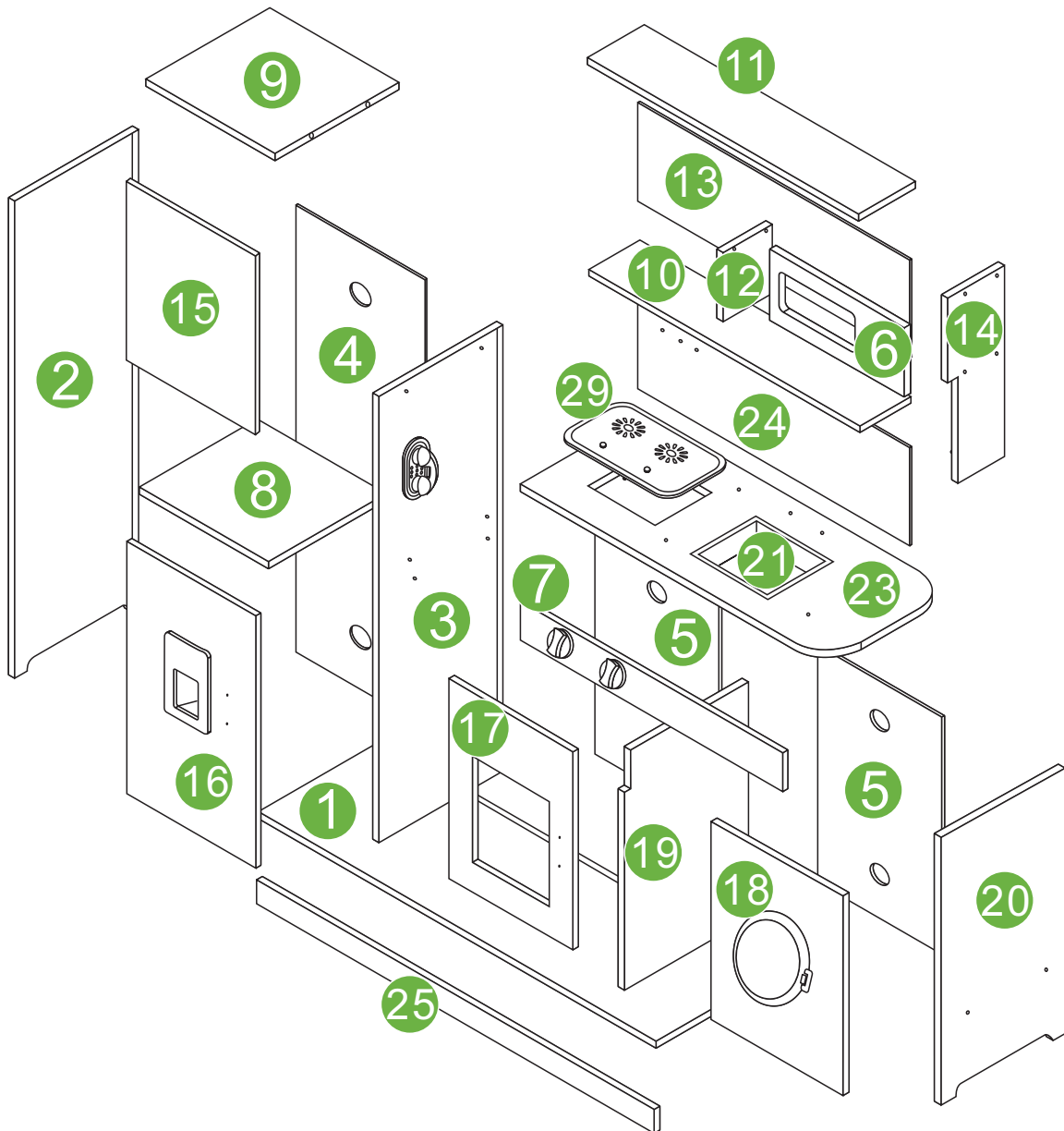
P Screw

M4x16mm
2PCS

! NOTICE

Please retain these instructions for future reference.

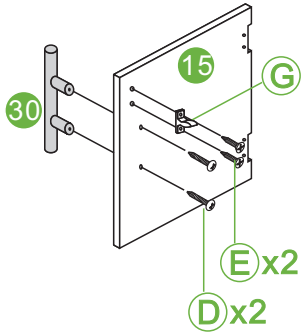
- Make sure that all screws are tightened. Check these regularly. Do not overtighten the screws!
- Do not use or store this item in the proximity of open flame or flammable/combustible chemicals.
- If any parts are missing, broken, damaged, or worn, stop using this item until repairs are made and/or factory replacement parts are installed.
- When cleaning do not use any abrasive or caustic agents or hard brushes etc.
- Clean the surfaces with a damp, lint-free cloth and wipe with a dry cloth.
- Carefully remove all packing material and discard it sorted. Make sure that you do not accidentally throw away mounting material.
- Any question or problem, please contact us freely!

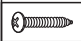


PRODUCT ASSEMBLY



1

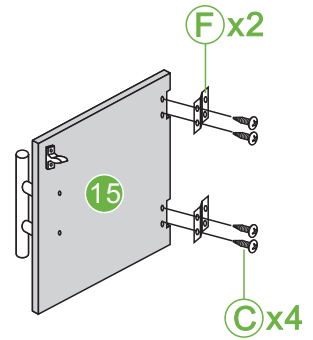
Attach door insert G with two screw E
Attach part #30 to panel #15 with two screw D .



 Dx2
 Ex2
 Gx1

2

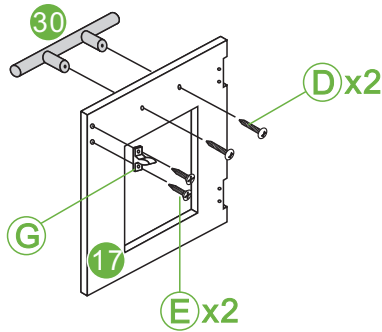
Attach two hinge F with four screw C ,
two screws per hinge

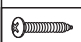



 Cx4
 Fx2

3

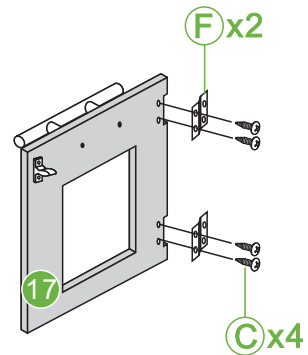
Attach part #30 to door panel #17 with two screw D .
Attach door insert G with two screw E



 Dx2
 Ex2
 Gx1

4

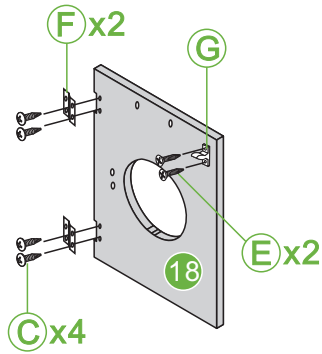
Attach two hinge F with four screw C ,
two screws per hinge







 Cx4
 Fx2

5

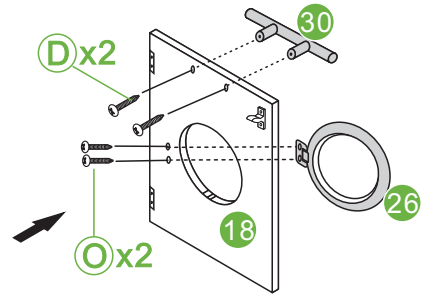
Attach door insert G with two screw E
 Attach two hinge F with four screw C ,
 two screws per hinge



	Cx4
	Ex2
	Gx1
	Fx2

6

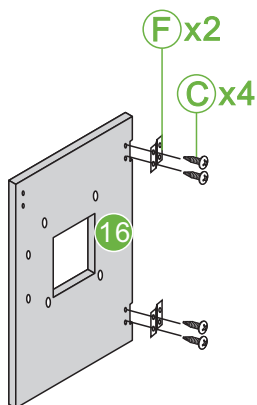
Attach part #30 to door panel #18 with two screw D .
 Attach part #26 to door panel #18 with two screw O .



	Ox2
	Dx2

7

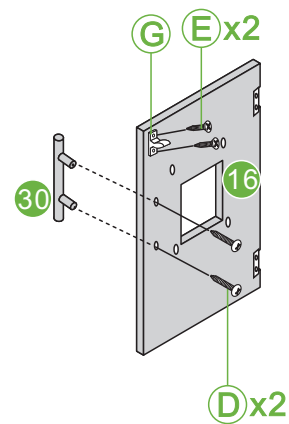
Attach two hinge F with four screw C ,
 two screws per hinge



	Fx2
	Cx4

8

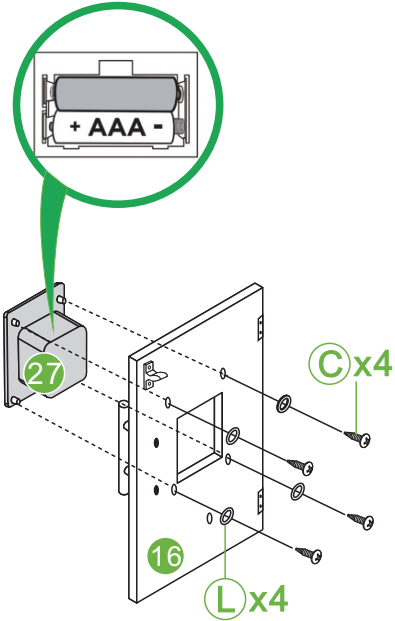
Attach part #30 to door panel #16 with two screw D .
 Attach door insert G with two screw E



	Dx2
	Ex2
	Gx1

9

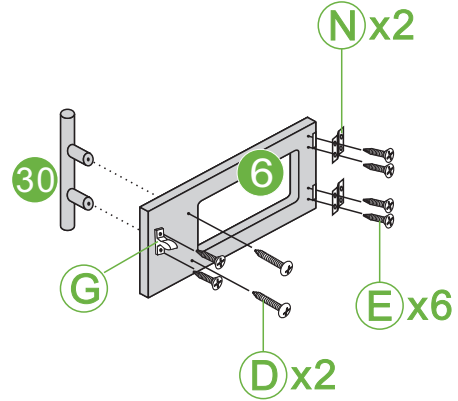
Connect the # 27 sink to the # 16 door panel with four circular washers L and four screws C, then install two AAA batteries and set them aside.



- Cx4
- Lx4

10

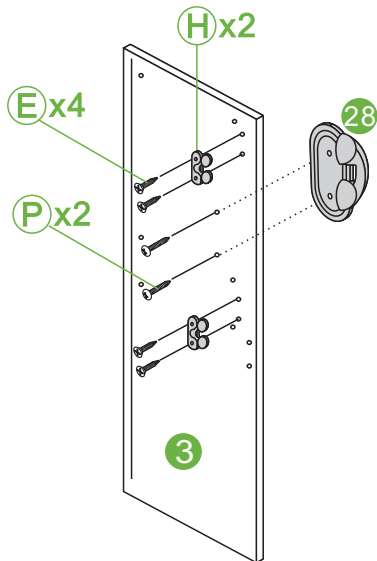
Attach part #30 to door panel #6 with two screw E .
Attach door insert G with two screw E
Attach two hinge N with four screw E , two screws per hinge



- Dx2
- Ex6
- Nx2

11

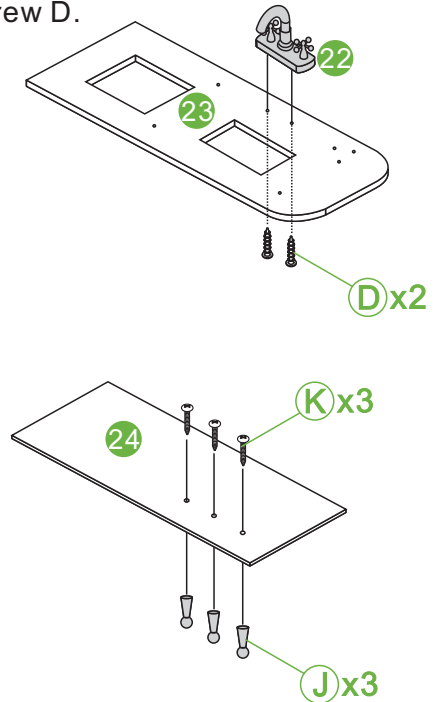
Attach two door catch H to panel #3 with four screw E, two screws per door catch, then attach the telephone base #28 with two screw P and set aside.



- Px2
- Ex4
- Hx2

12

Attach the faucet #22 to countertop panel #23 with two screw D.

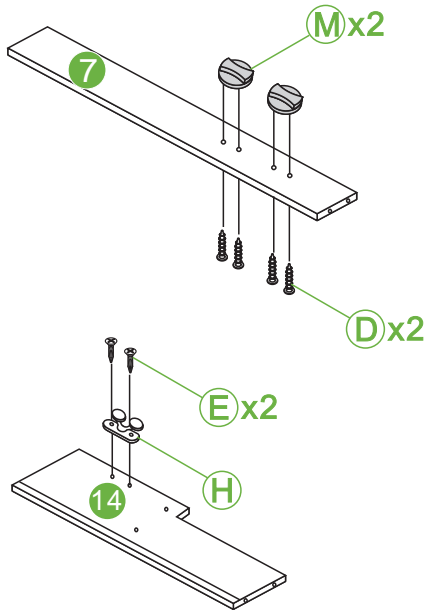






Attach three hook J to the upper shelf panel #24 with three screw K, one screw per hook.

- Dx2
- Kx3
- Jx3

13

Attach two knob M to the front bar #7 with four screw D and set aside.

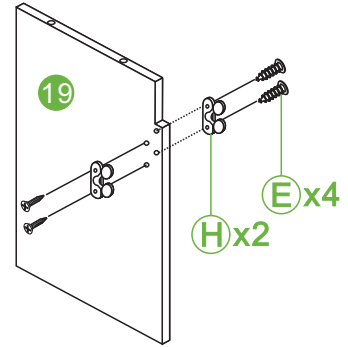


	Ex2
	Hx1
	Dx4
	Mx2

Attach door catch H to panel #14 with two screw E and set aside.

14

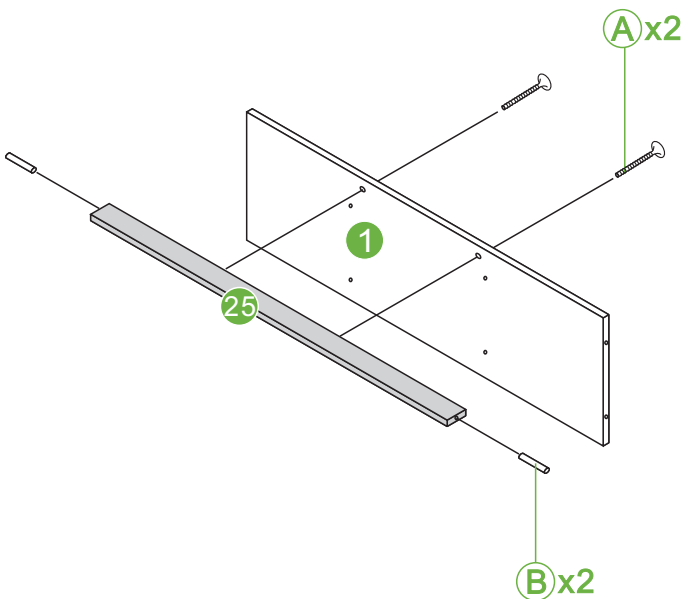
Attach door catch H to panel #11 with four screw E and set aside.



	Ex4
	Hx2

15

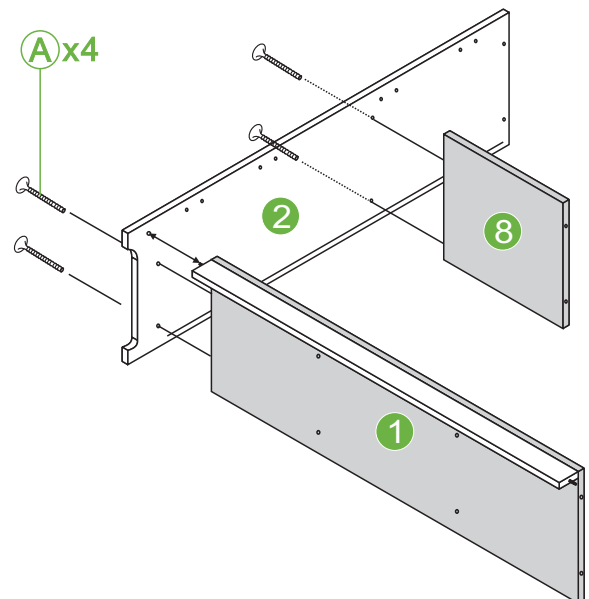
First wooden dowels B is inserted into the #25 base strip, then screw A is used to attach the #25 panel to the #1 base plate




	Ax2
	Bx2

16

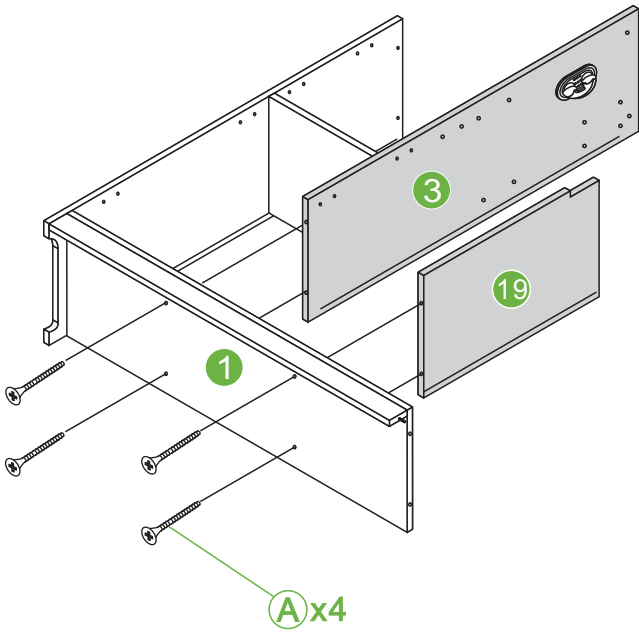
Attach #8 #1 panel to #2 side panel with screw A



	Ax4
---	-----

17

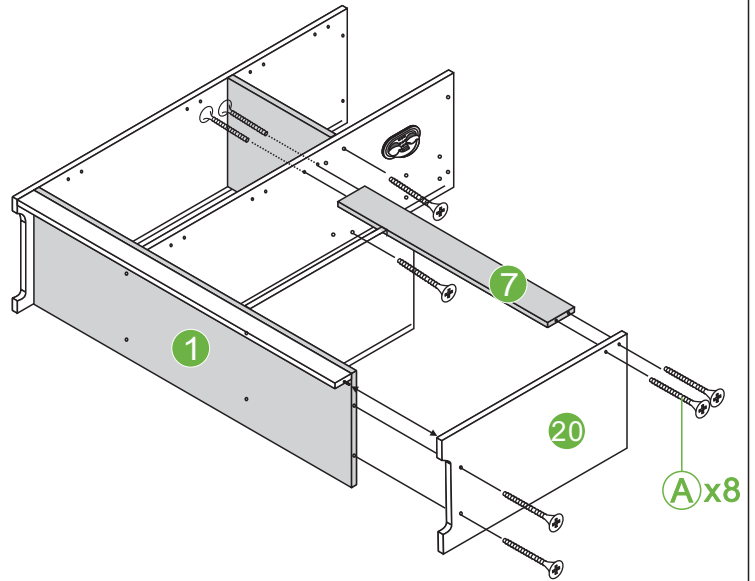
Attach panel #3#19 to frame #1 with screw A



 Ax4

18

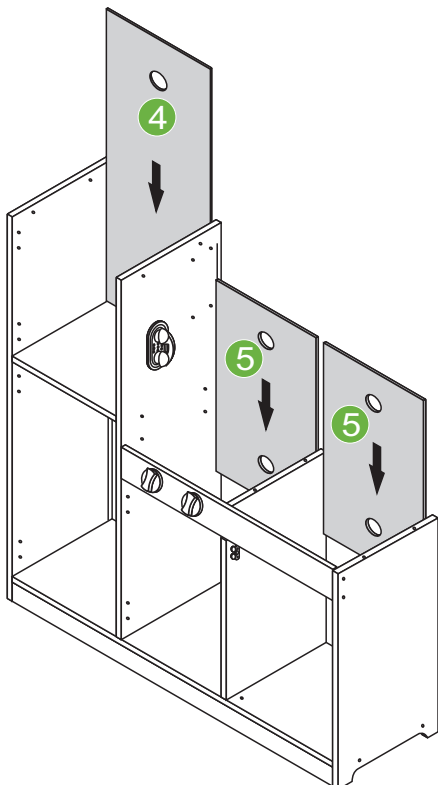
Attach panel #7#20 to frame #1 with screw A



 Ax8

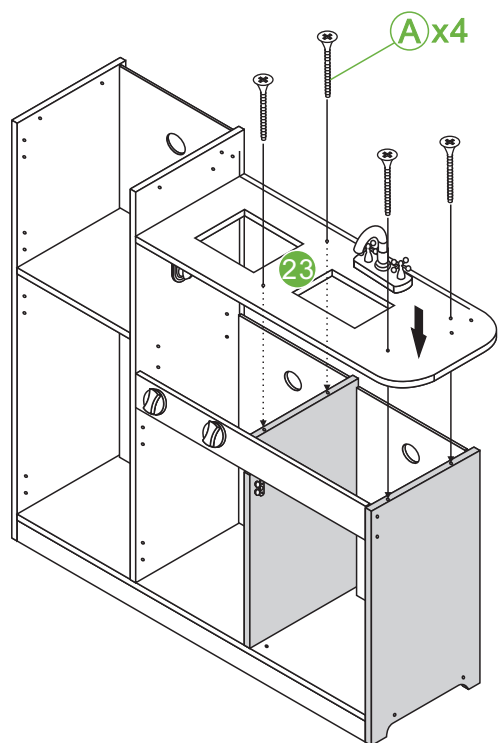
19

Insert back panel #4, #5 as shown , make sure the back panels are well fitted into the slot



20

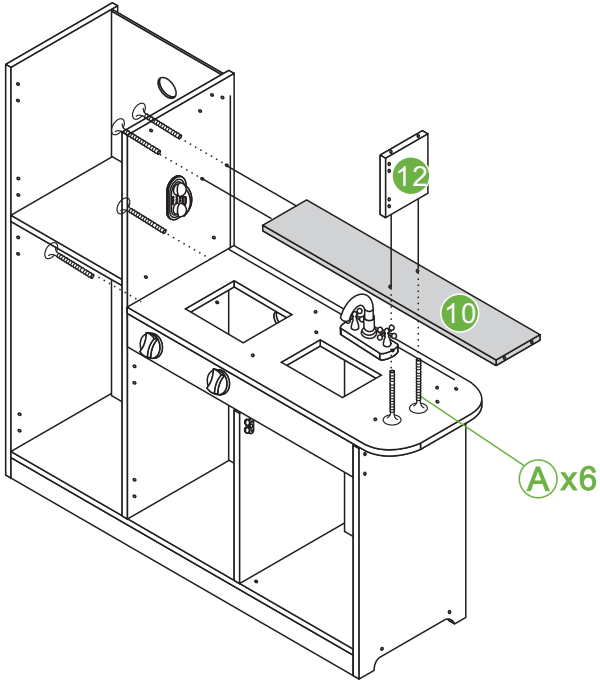
Secure the countertop panel#23 with four screw A



 Ax4

21

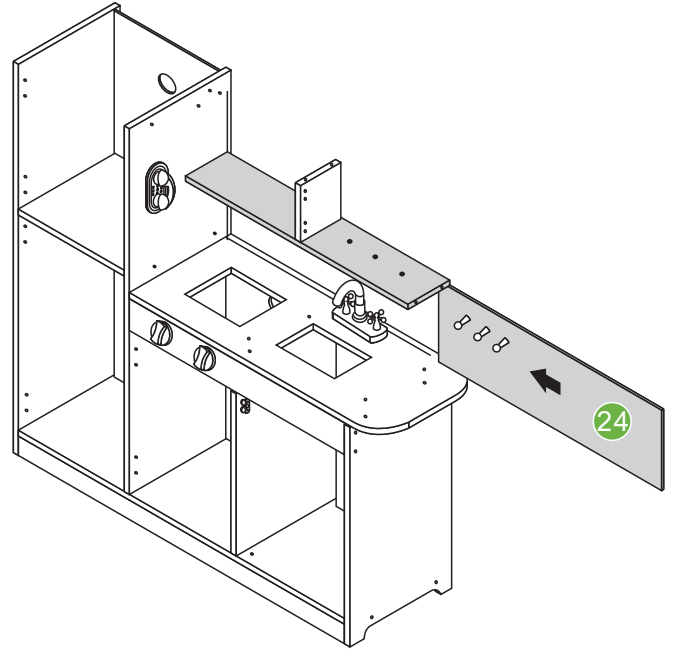
Attach #10 panel to #3 side panel with screws A
Attach panel #12 to panel #10 with screws A



 Ax6

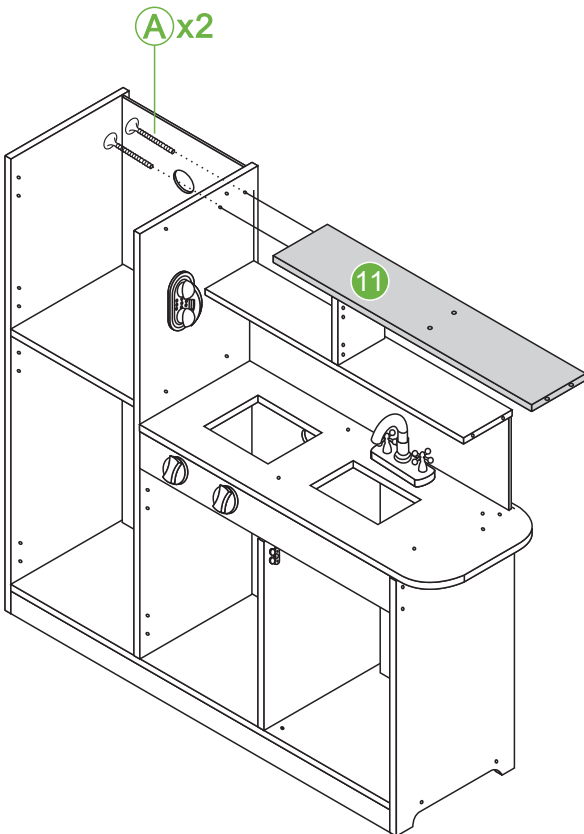
22

Insert back panel #24 as shown ,
make sure the back panels are well fitted into the slot.



23

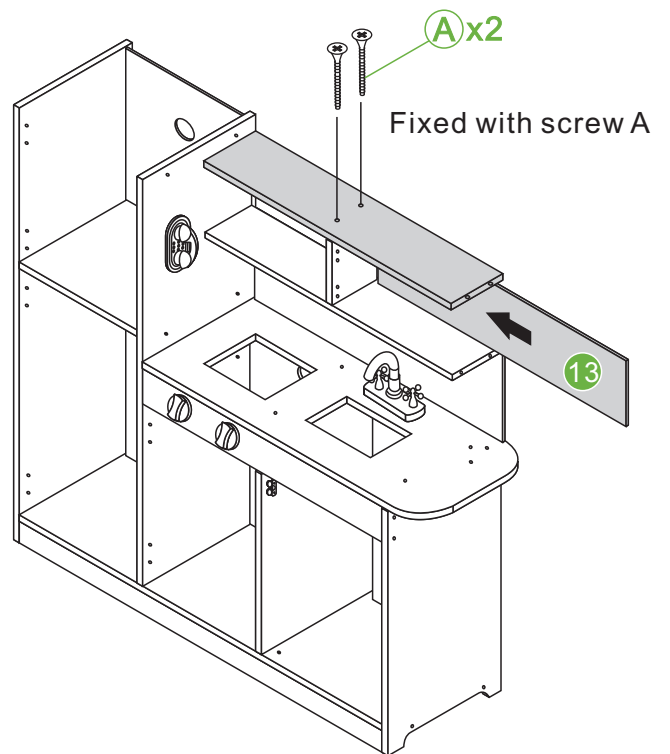
Attach #11 panel to #3 side panel with screw A



 Ax2

24

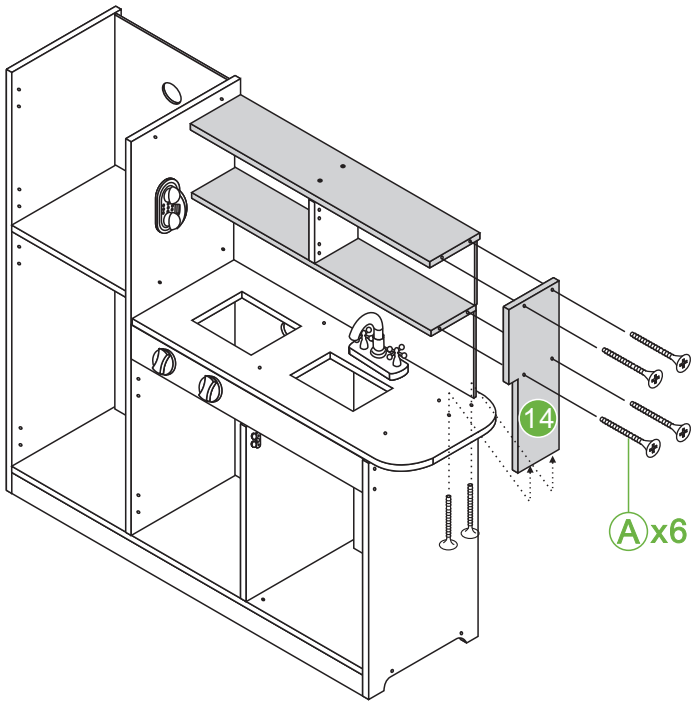
Insert back panel #13 as shown ,
make sure the back panels are well fitted into the slot.



 Ax2

25

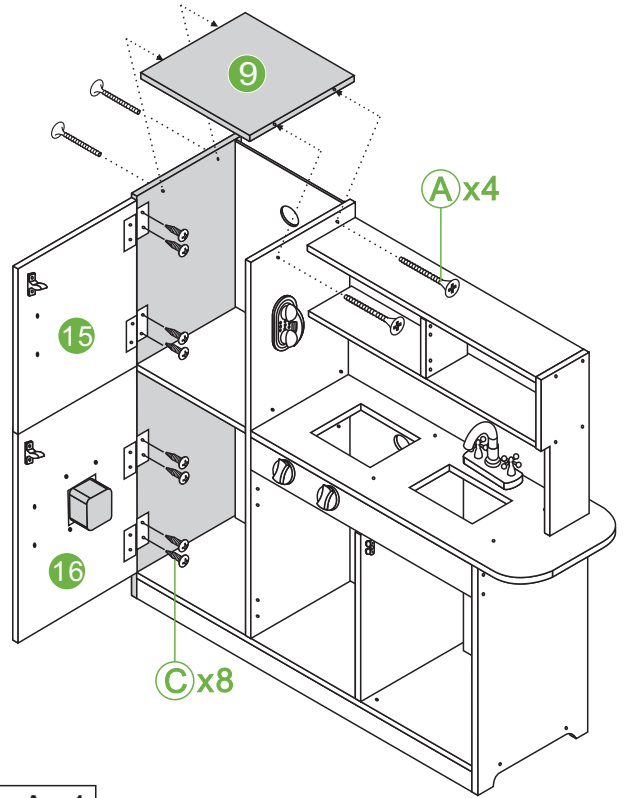
Secure the #14 panel to the frame with screw A



 Ax6

26

Attach the two doors#15#16 to the assembled kitchen, secure the four hinges with eight screw B , two for each hinge .
Secure #9 top plate to frame with screws A

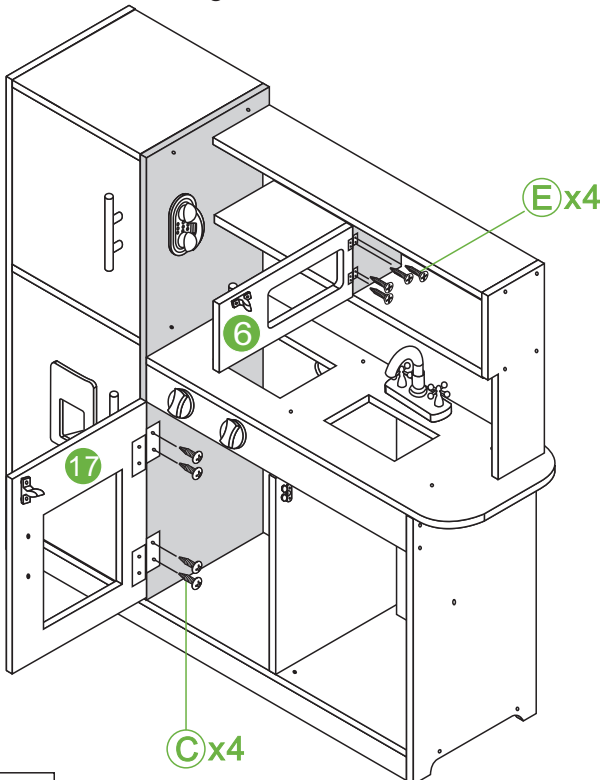


 Ax4

 Cx8

27

Attach the doors#17 to the assembled kitchen, secure the two hinges with four screw C , two for each hinge .
Attach the doors#6 to the assembled kitchen, secure the two hinges with four screw E , two for each hinge .

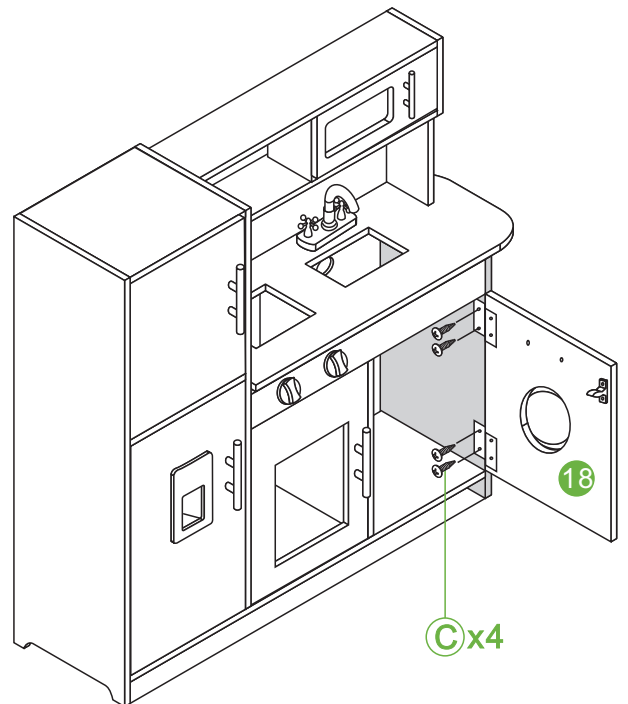


 Ex4

 Cx4

28

Attach the doors#18 to the assembled kitchen, secure the two hinges with four screw C , two for each hinge .



 Cx4

Place #29 stove and #21 sink with AAA batteries on countertop

