

LED Lamp Wall Sconce

INSTALLATION SHEET

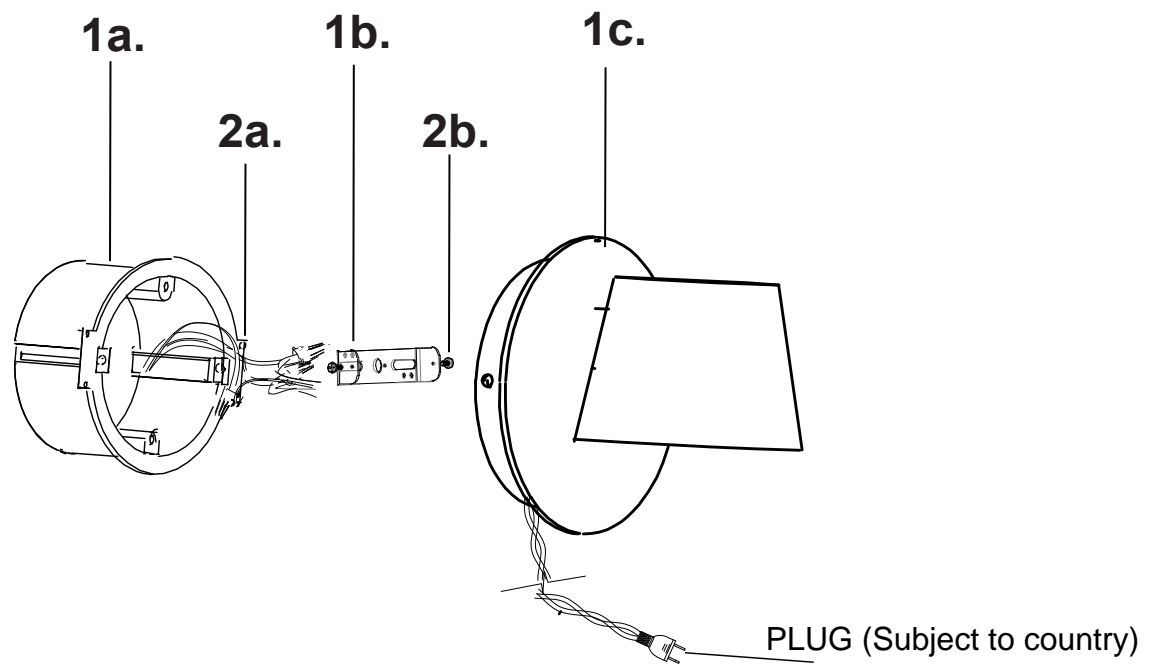
START FROM HERE

- Make sure power is completely off at the fuse box.
- Have your fixture installed by a qualified licensed electrician
- Prepare everything in a clear area.
- Wear gloves at all times during this installation.
- Read instructions carefully before you start assembly.
- Keep this instruction sheet for future reference.

Please Note:

- All LED fixtures come with pre-wired LED module(s).
- Unless instructed to do so, please do not touch any part of the LED module(s) as any unnecessary contact with the module could cause permanent damage.
- For dimming, an ELV (Electronic Low Voltage) type of dimmer is required.

installation method



NOTE : this product just one hanging plate connect to the power box, so you need get the hanging plate from the base before you install it . For your safe , The installation must ensure that the line is powered off.

- 1.** You should unscrew the screws on both sides of (2a) from the inside of (1c) first, remove (1b), and fix (1b) into (1a).
- 2.** After fixing (1b) to (1a), connect "L", "N" and bare copper ground wire on this product with wires. Please connect according to the corresponding electrodes, "L" connects the black wire, "N" connects the white wire, and bare copper ground wire connects to the ground wire, and the installation (2a) is completed.
- 3.** You have now completed the installation of your fixture