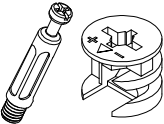
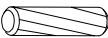
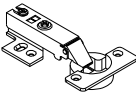
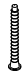










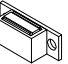


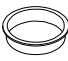



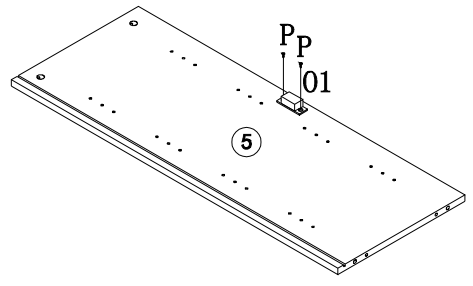


"IMPORTANT, RETAIN FOR FUTURE REFERENCE:
READ CAREFULLY"

- 1). Periodically check that all components are tightly secured.
- 2). Assemble on a flat, clean, and soft surface.
- 3). Confirm all parts are present prior to assembly.
- 4). Prepare electric tools in advance for a quicker installation.

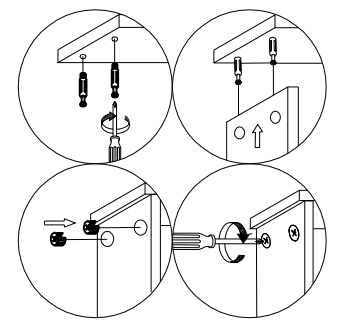
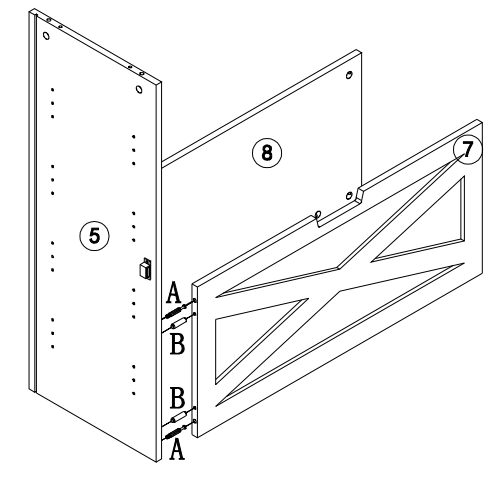
A 48PCS 	B 26PCS 	C 2PCS 	D 10PCS  40*5	E 16PCS 	F 32PCS  14*3.5	G 8PCS 	H 1PCS 	I 2PCS 	J 4PCS 
K 9PCS 	L 4PCS 	M 2PCS 	N 56PCS  14*3.5	O 1PCS  01  02	P 4PCS  14*3	Q 2PCS 	R 2PCS 	S 1PCS 	T 2PCS 

1



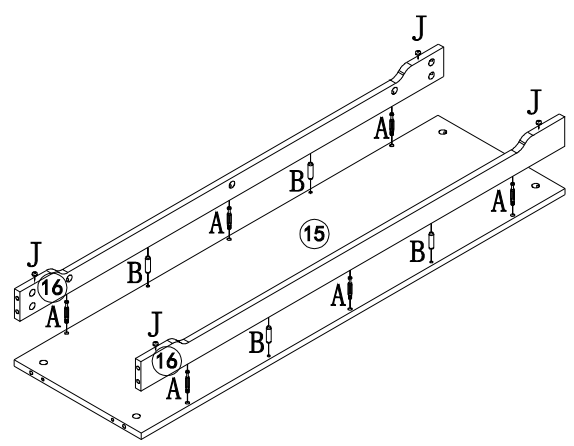
01*1 P*2

2



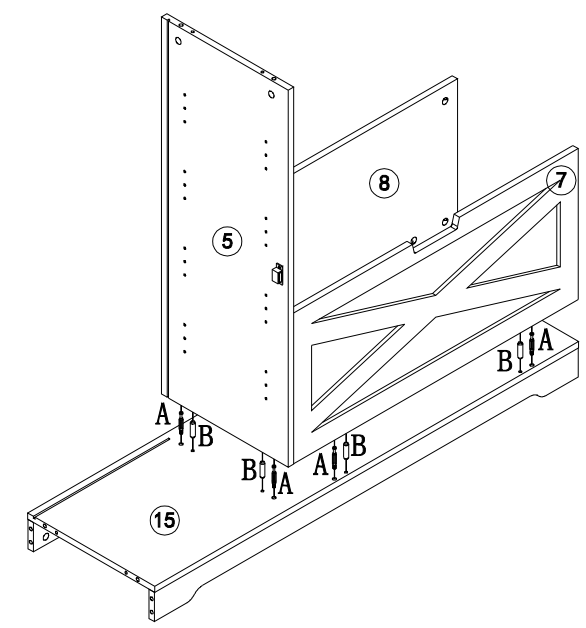
A*4 B*4

3



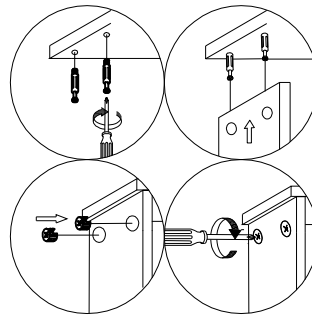
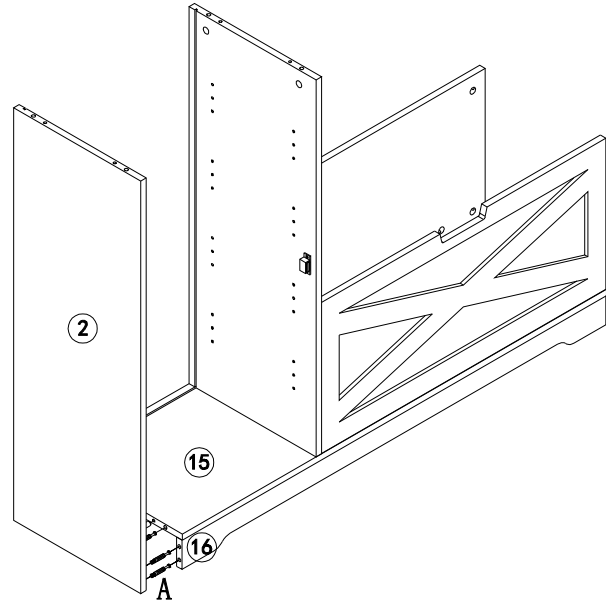
A*6 B*4

4



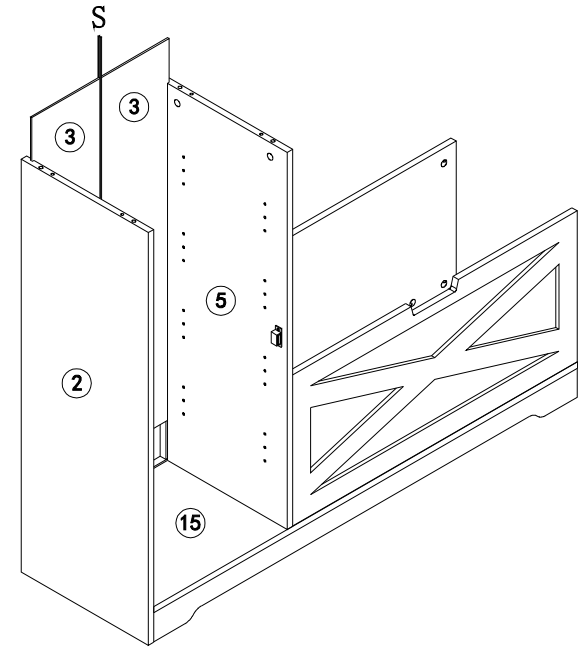
A*6 B*6

5



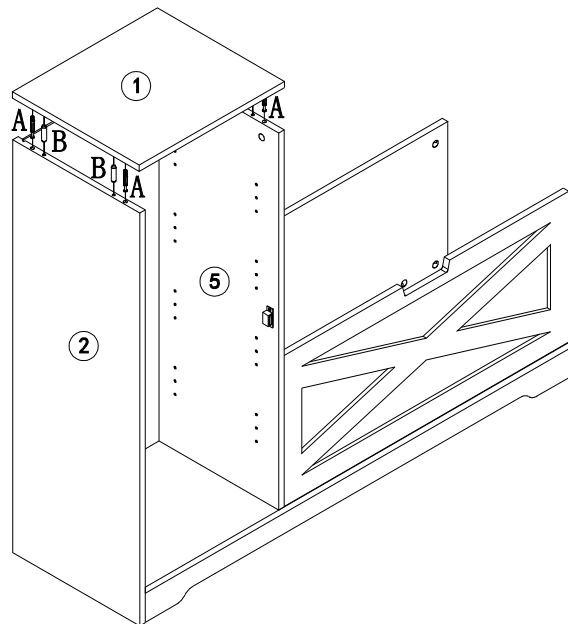
A*6 B*2

6



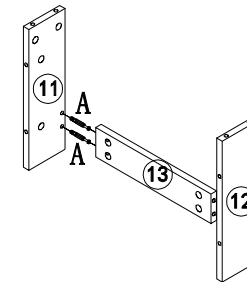
S*1

7



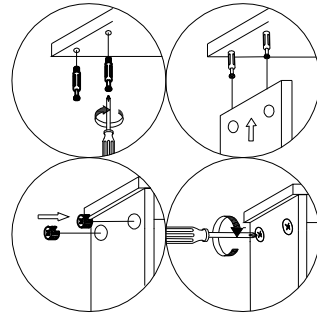
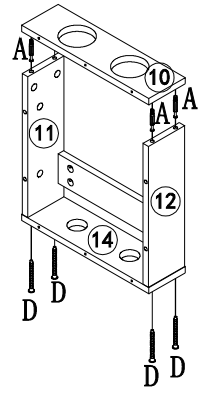
A*4 B*4

8



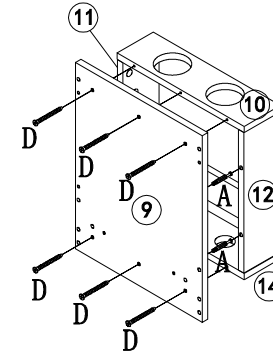
A*4

9



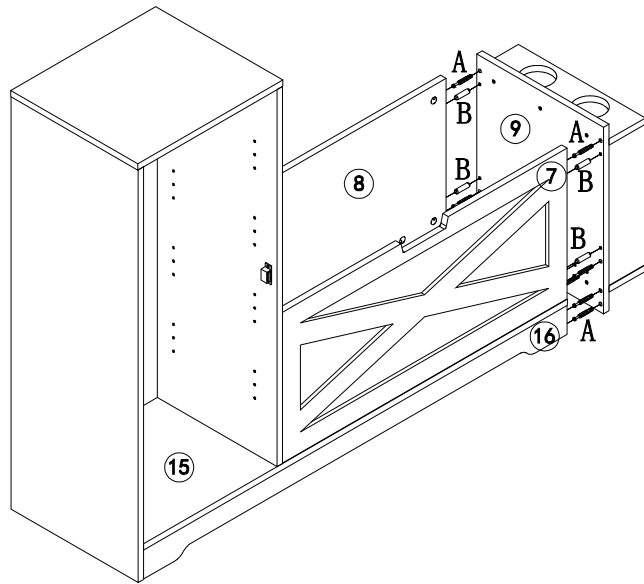
A*4 D*4

10



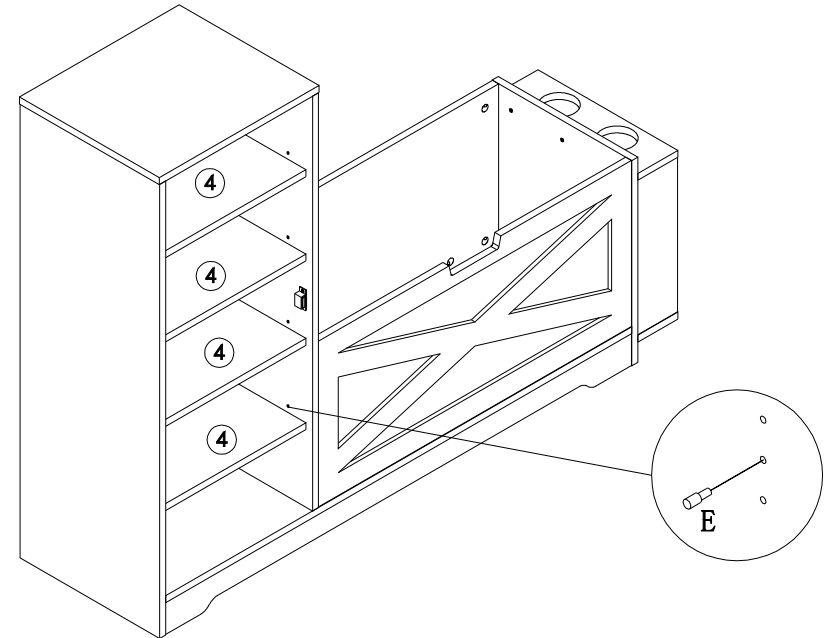
A*4 D*6

11



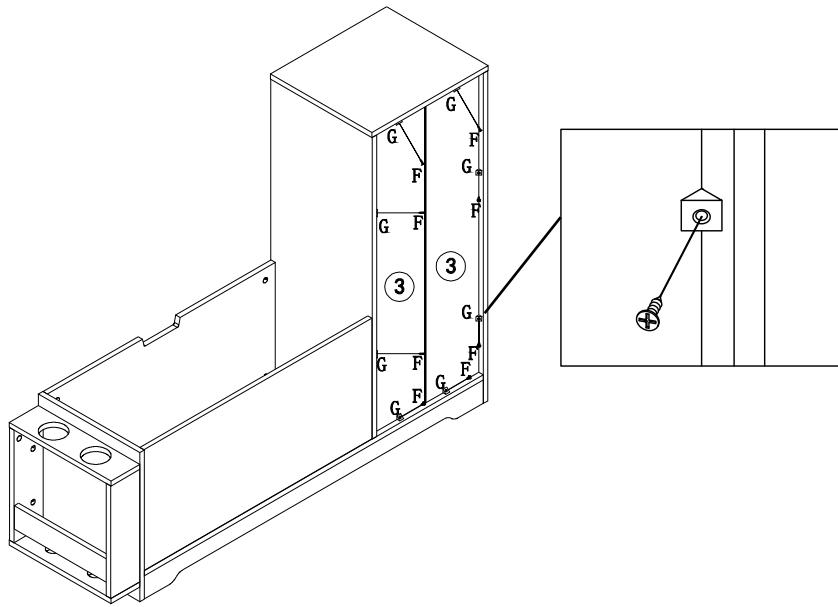
A*10 B*6

12



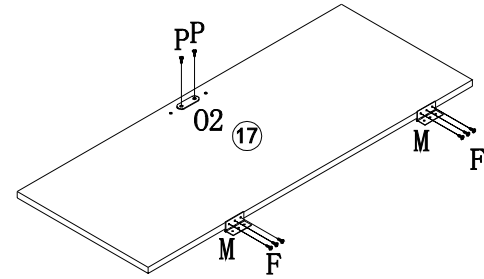
E*16

13



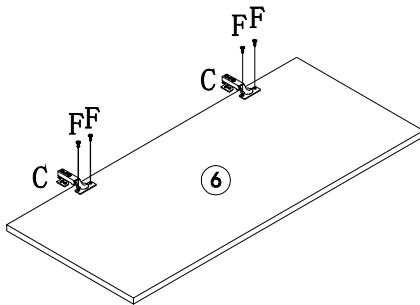
F*8 G*8

14



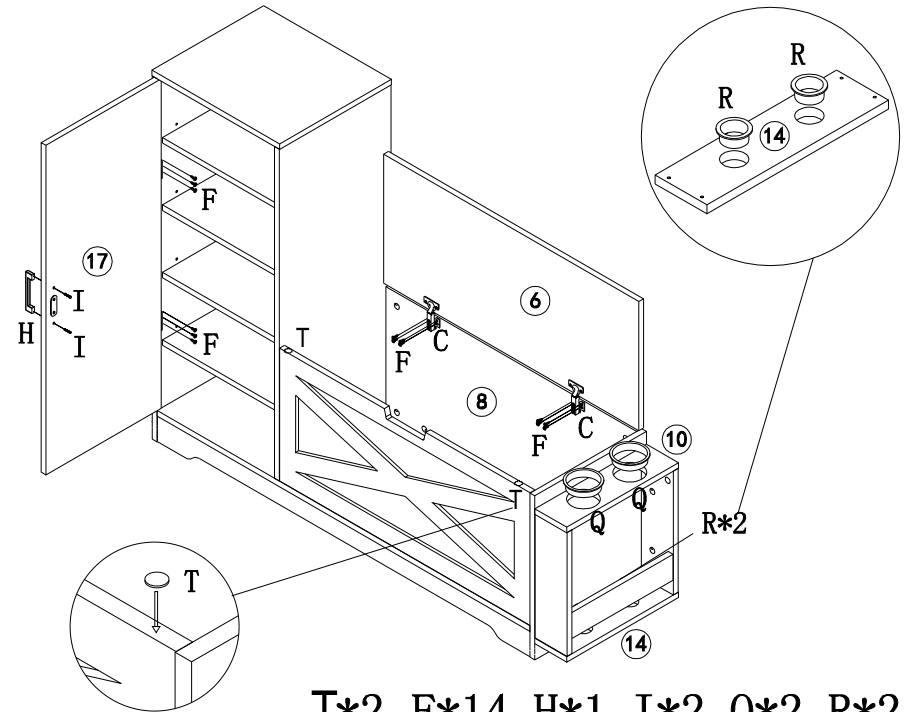
F*6 M*2 02*1 P*2

15



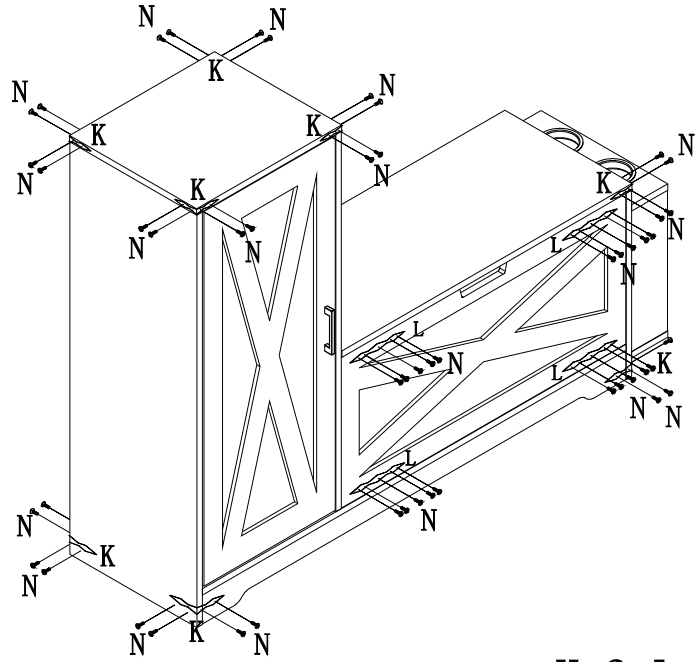
C*2 F*4

16



T*2 F*14 H*1 I*2 Q*2 R*2

17



K*9 L*4 N*56

18

