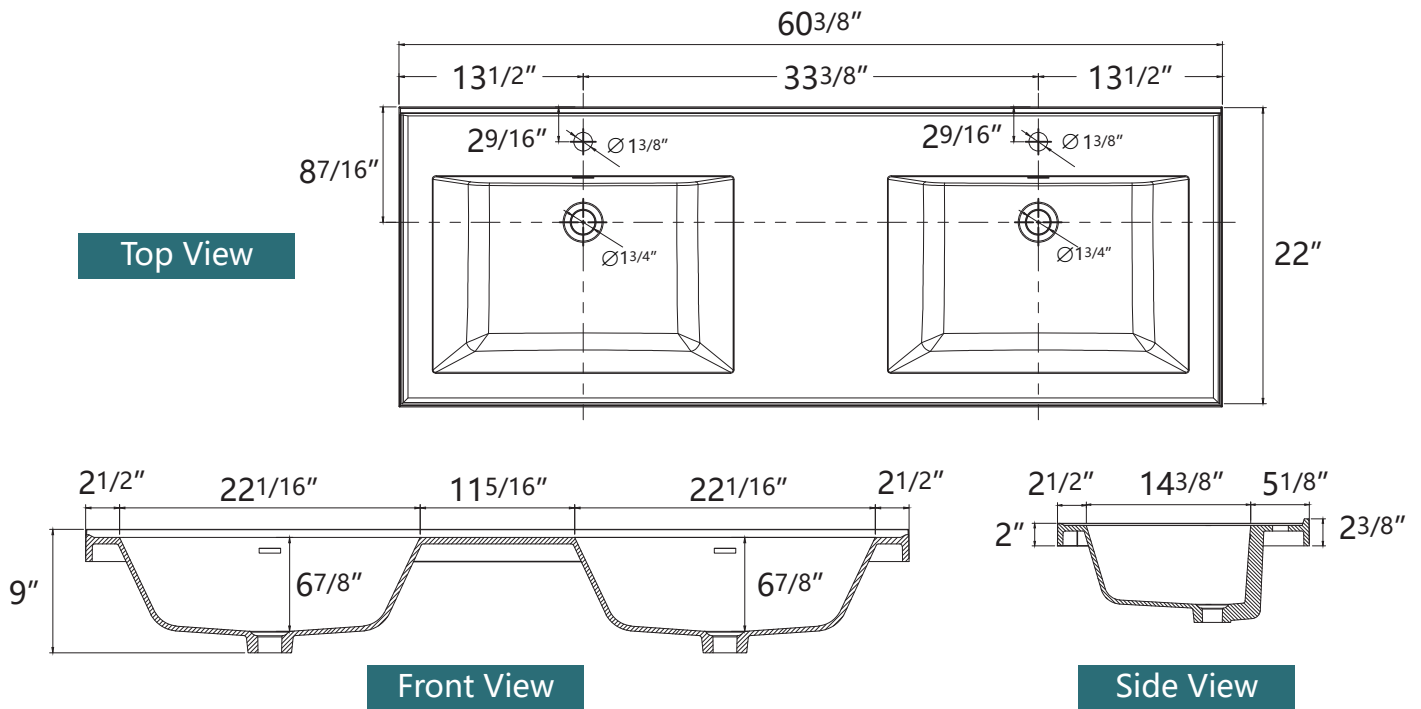


# COUNTERTOP SIZE



# VANITY SIZE

