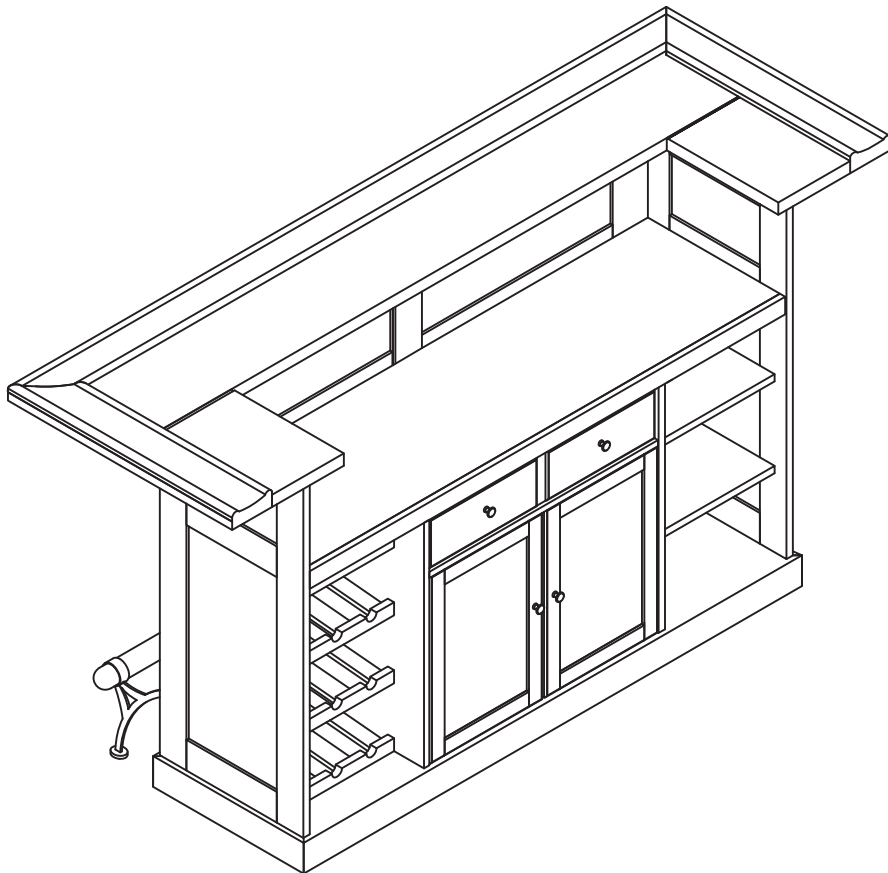
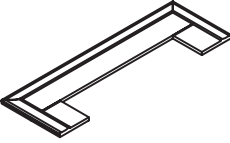
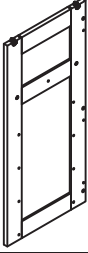
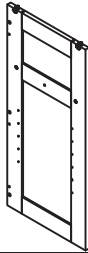
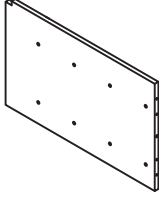
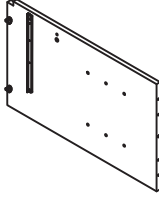
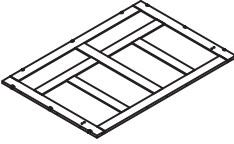
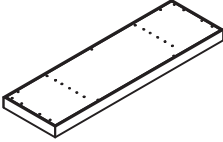

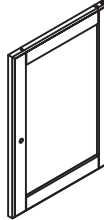
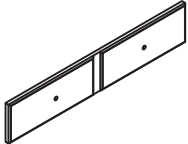
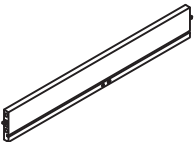
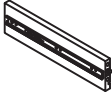
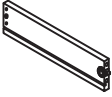
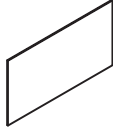
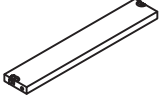
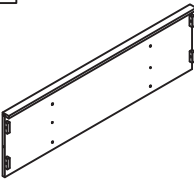
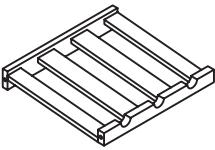
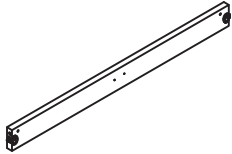
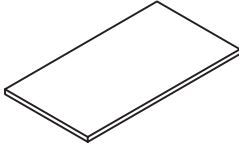
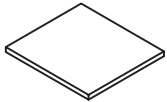
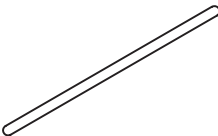




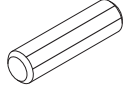
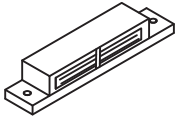

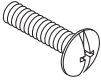
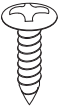
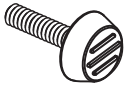
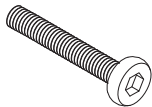
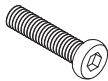

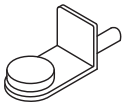
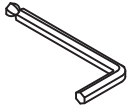
# Bar



# PART LIST

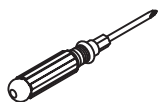
<p><b>A</b></p> 	<p><b>B</b></p> 	<p><b>C</b></p> 	<p><b>D</b></p> 	<p><b>E</b></p> 
<p>Top Panel 1 PC</p>	<p>Left Side Panel 1 PC</p>	<p>Right Side Panel 1 PC</p>	<p>Left Partition Panel 1 PC</p>	<p>Right Partition Panel 1 PC</p>
<p><b>F</b></p> 	<p><b>G</b></p> 	<p><b>H</b></p> 	<p><b>I</b></p> 	<p><b>J</b></p> 
<p>Front Panel 1 PC</p>	<p>Bottom Panel 1 PC</p>	<p>Left Door 1 PC</p>	<p>Right Door 1 PC</p>	<p>Drawer Front 1 PC</p>
<p><b>K</b></p> 	<p><b>L</b></p> 	<p><b>M</b></p> 	<p><b>N</b></p> 	<p><b>O</b></p> 
<p>Drawer Back Panel 1 PC</p>	<p>Drawer Left Side Panel 1 PC</p>	<p>Drawer Right Side Panel 1 PC</p>	<p>Drawer Bottom Panel 1 PC</p>	<p>Drawer Rail 1 PC</p>
<p><b>P</b></p> 	<p><b>Q</b></p> 	<p><b>R</b></p> 	<p><b>S</b></p> 	<p><b>T</b></p> 
<p>Fixed Shelf 1 PC</p>	<p>Wine Shelf 4 PCS</p>	<p>Top Rail 1 PC</p>	<p>Middle Adjustable Shelf 1 PC</p>	<p>Side Adjustable Shelf 2 PCS</p>
<p><b>U</b></p> 	<p><b>V</b></p> 	<p><b>W</b></p> 		
<p>Footrest 1 PC</p>	<p>Footrest Support 2 PCS</p>	<p>Support Leg 2 PCS</p>		

# HARDWARE LIST

				
<p>Wood Dowel 49 PCS(Extra 1)</p>	<p>Door Magnet 1 PC</p>	<p>Knob 4 PCS</p>	<p>3/4"*Ø5/32"*D9mm Round Head Bolt 5 PCS(Extra 1)</p>	<p>12*Ø3*D6mm Round Head Screw 3 PCS(Extra 1)</p>
				
<p>Adjustable Leveler 6 PCS</p>	<p>1-1/4"*Ø1/4"*D11mm Long Bolt 16 PCS(Extra 1)</p>	<p>3/4"*Ø1/4"*D11mm Medium Bolt 5 PCS(Extra 1)</p>	<p>7mm*Ø5mm"*D9mm Short Bolt 3 PCS(Extra 1)</p>	<p>Shelf Holder 12 PCS</p>
				
<p>Allen Wrench 1 PC</p>				

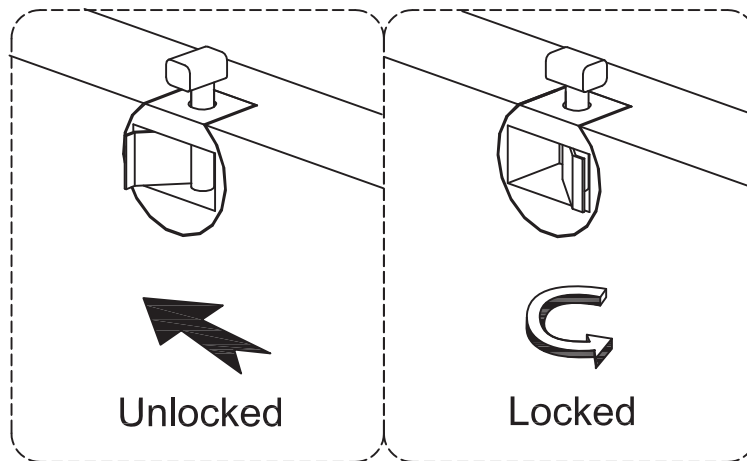
ADDITIONAL TOOLS (Not Provided)

**Note:It is not recommended to use power tools during assembly.**



Phillips Head Screwdriver

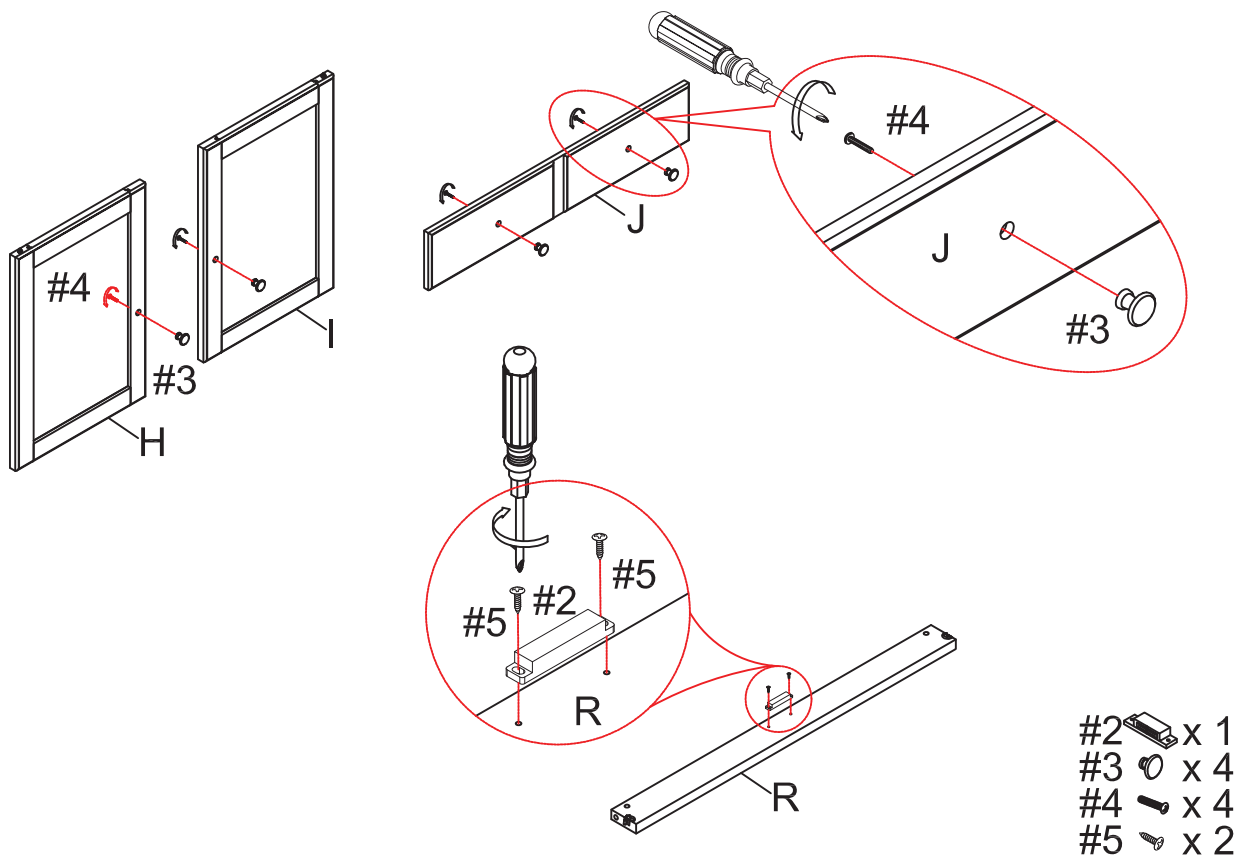
Please do not use tools to assemble this unit unless specifically indicated.



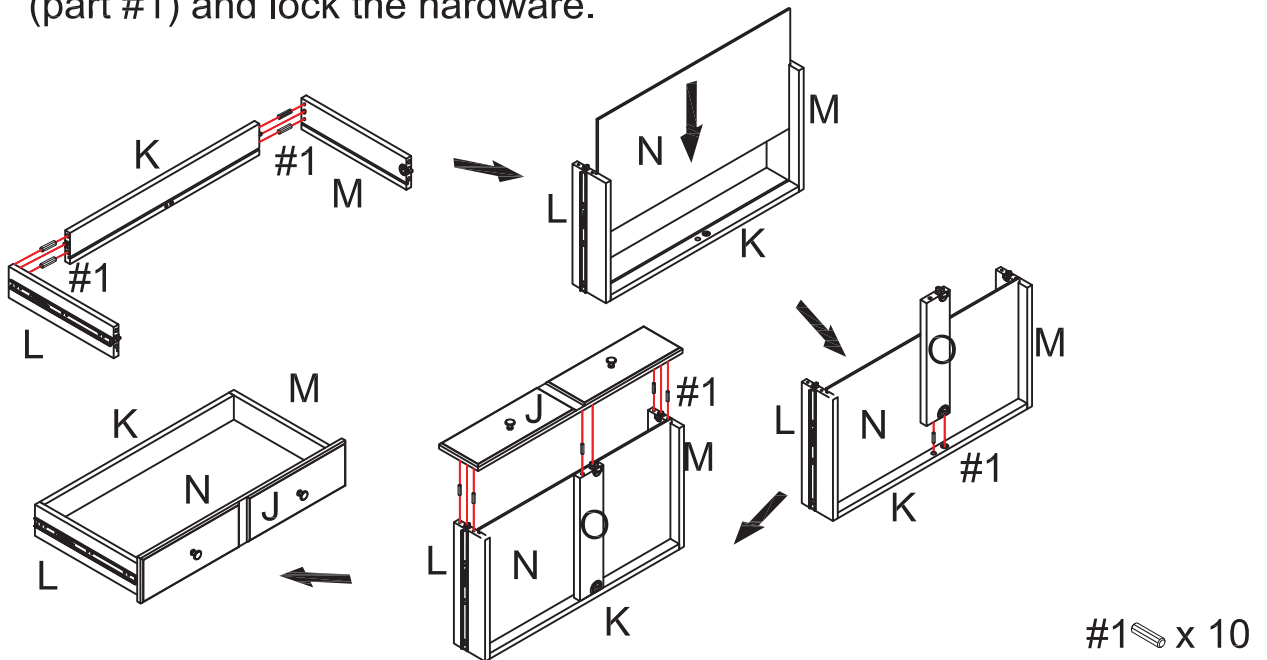
Reference the images above any time the instructions state "lock the hardware".  
Note: Be sure to check all hardware is locked when completed.

Step 1. Attach knobs (part #3) to left door (part H), right door (part I), and drawer front (part J) using round head bolts (part #4) and phillips head screwdriver.

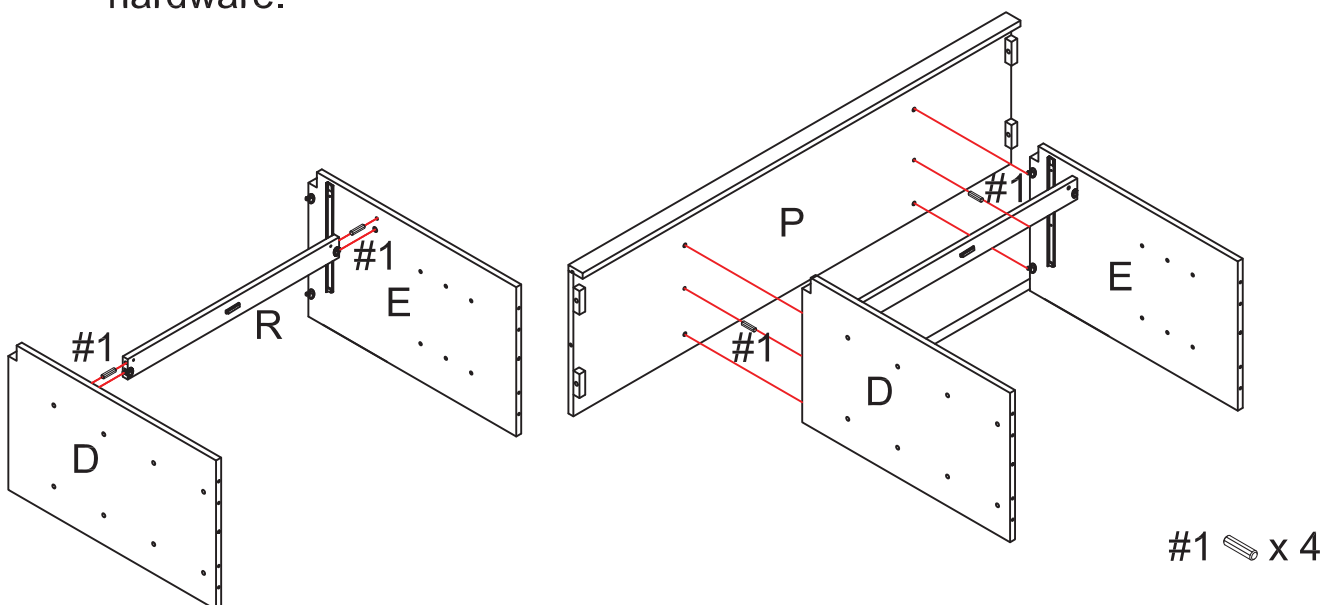
Attach door magnet (part #2) to top rail (part R) using round head screws (part #5) and phillips head screwdriver.



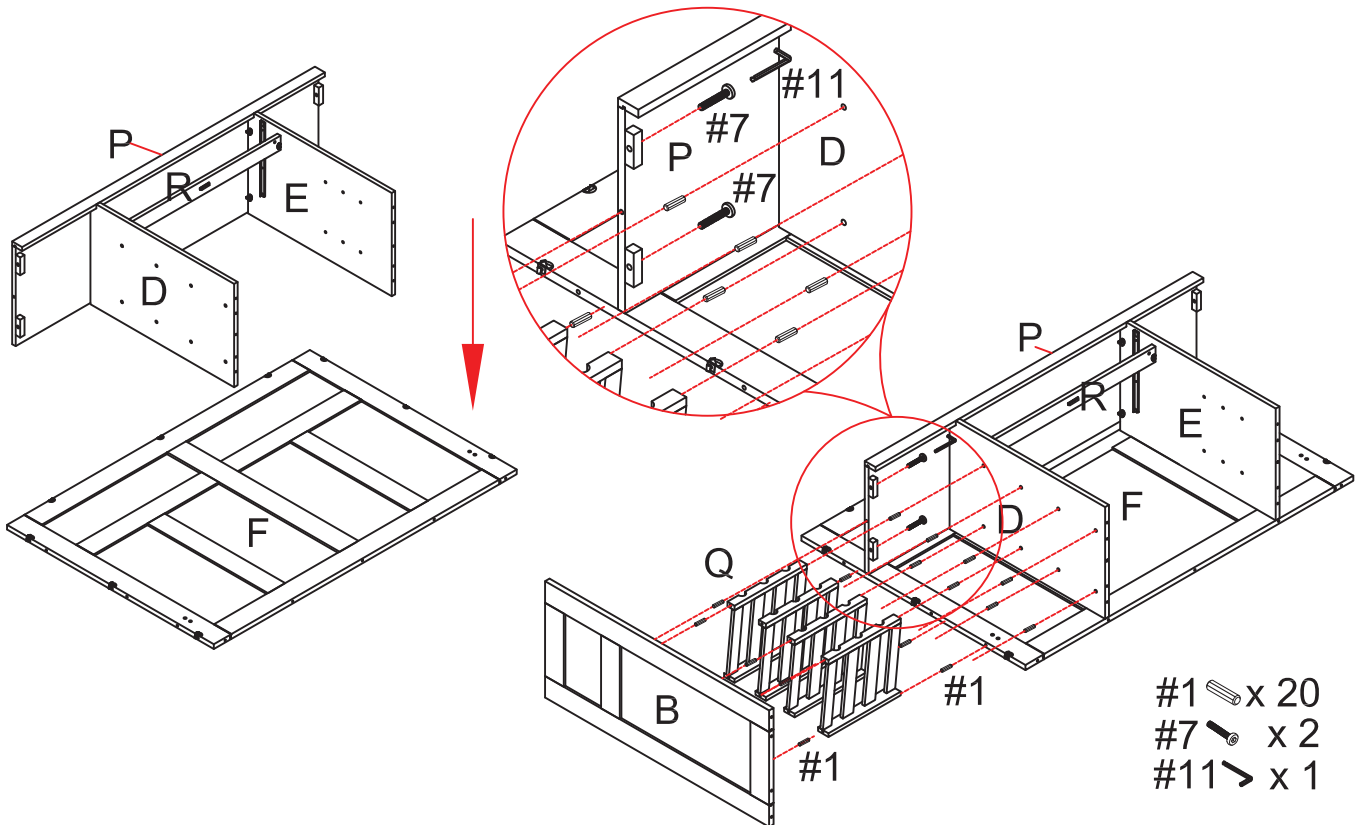
Step 2. Attach drawer left and right side panels (parts L & M) to drawer back panel (part K) using wood dowels (part #1) and lock the hardware. Slide drawer bottom panel (part N) into grooves of drawer left and right side panels (parts L & M) and drawer back panel (part K). Attach drawer rail (part O) to drawer back panel (part K) using wood dowels (part #1) and lock the hardware. Attach drawer front (part J) to drawer left side & right side & bottom panels (parts L & M & N) and drawer rail (part O) using wood dowels (part #1) and lock the hardware.



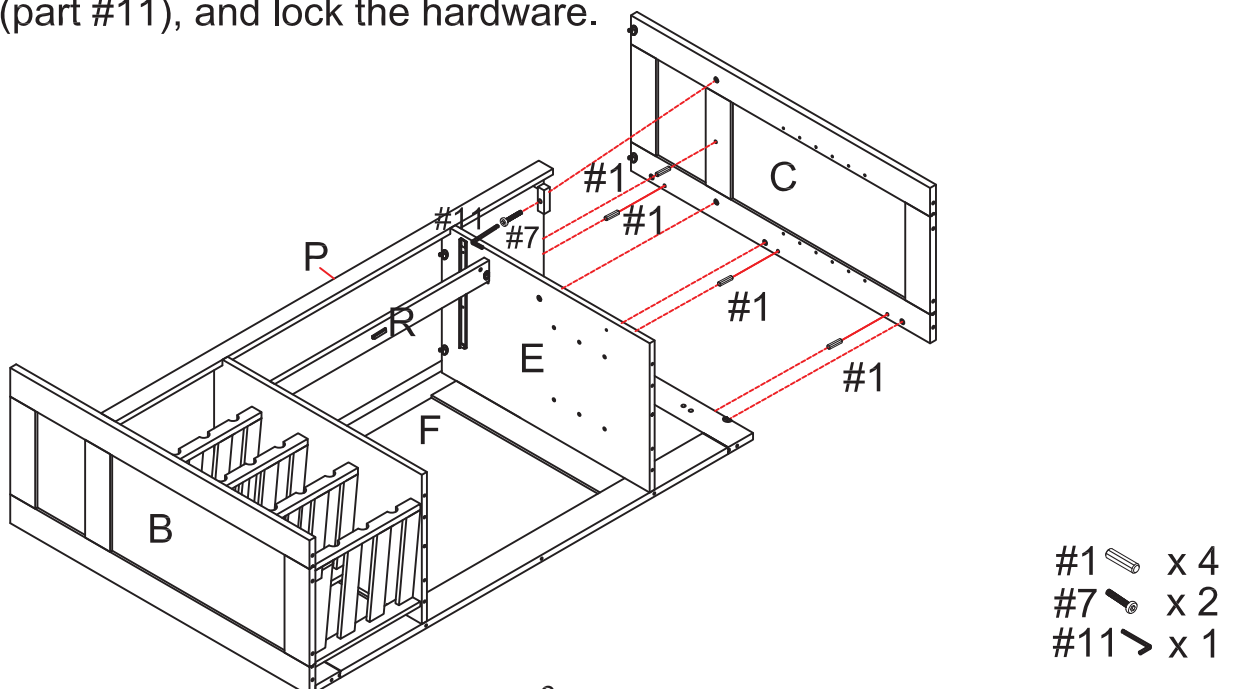
Step 3. Attach top rail (part R) to left partition panel (part D) and right partition panel (part E) using wood dowels (part #1) and lock the hardware. Attach fixed shelf (part P) to left partition panel (part D) and right partition panel (part E) using wood dowels (part #1) and lock the hardware.



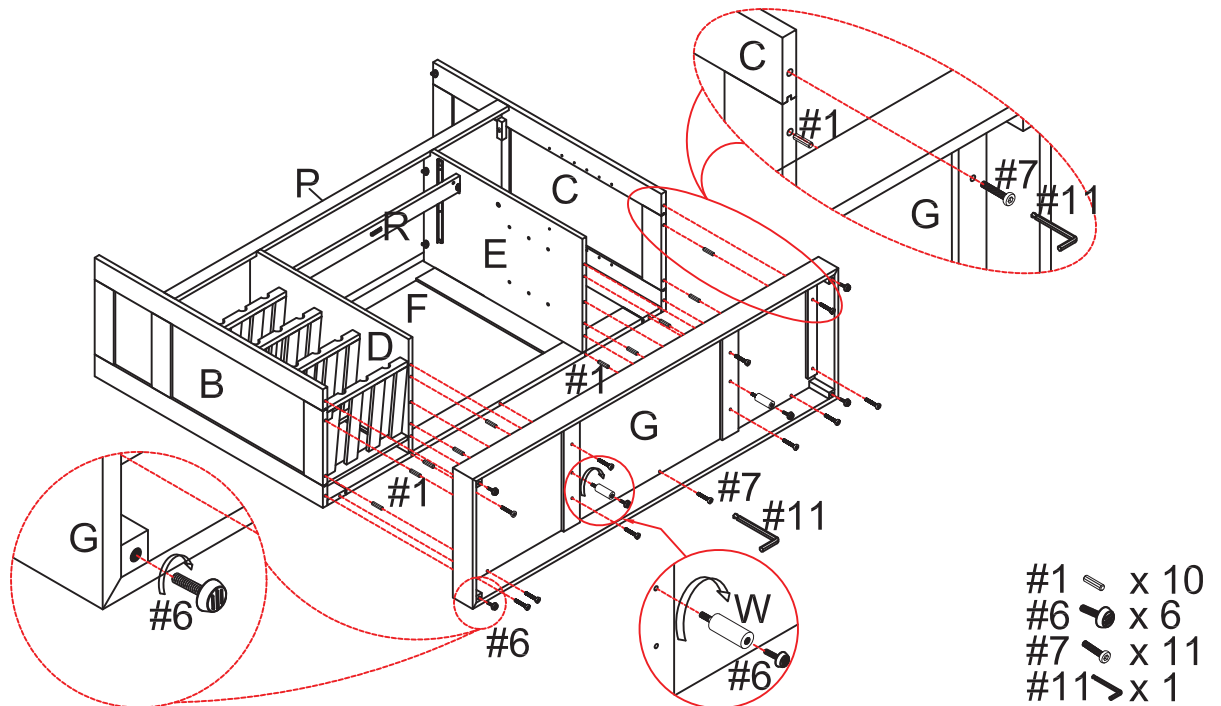
Step 4. Lay back panel (part F) on a soft flat surface, such as carpet as shown below. Carefully place assembled unit (parts D, E, P & R) onto back panel (part F). Attach wine shelves (part Q) to left partition panel (part D) using wood dowels. Attach left side panel (part B) to back panel (part F), fixed shelf (part P) and wine shelves (part Q) using wood dowels (part #1), long bolts (part #7), allen wrench (part #11) and lock the hardware.



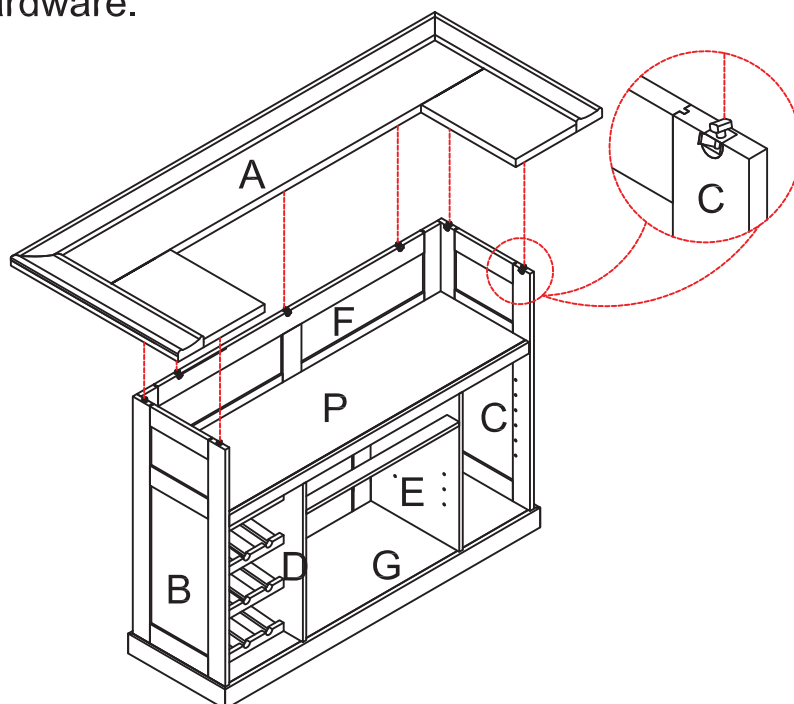
Step 5. Attach right side panel (part C) to fixed shelf (part P) and back panel (part F) using wood dowels (part #1), long bolts (part #7), allen wrench (part #11), and lock the hardware.



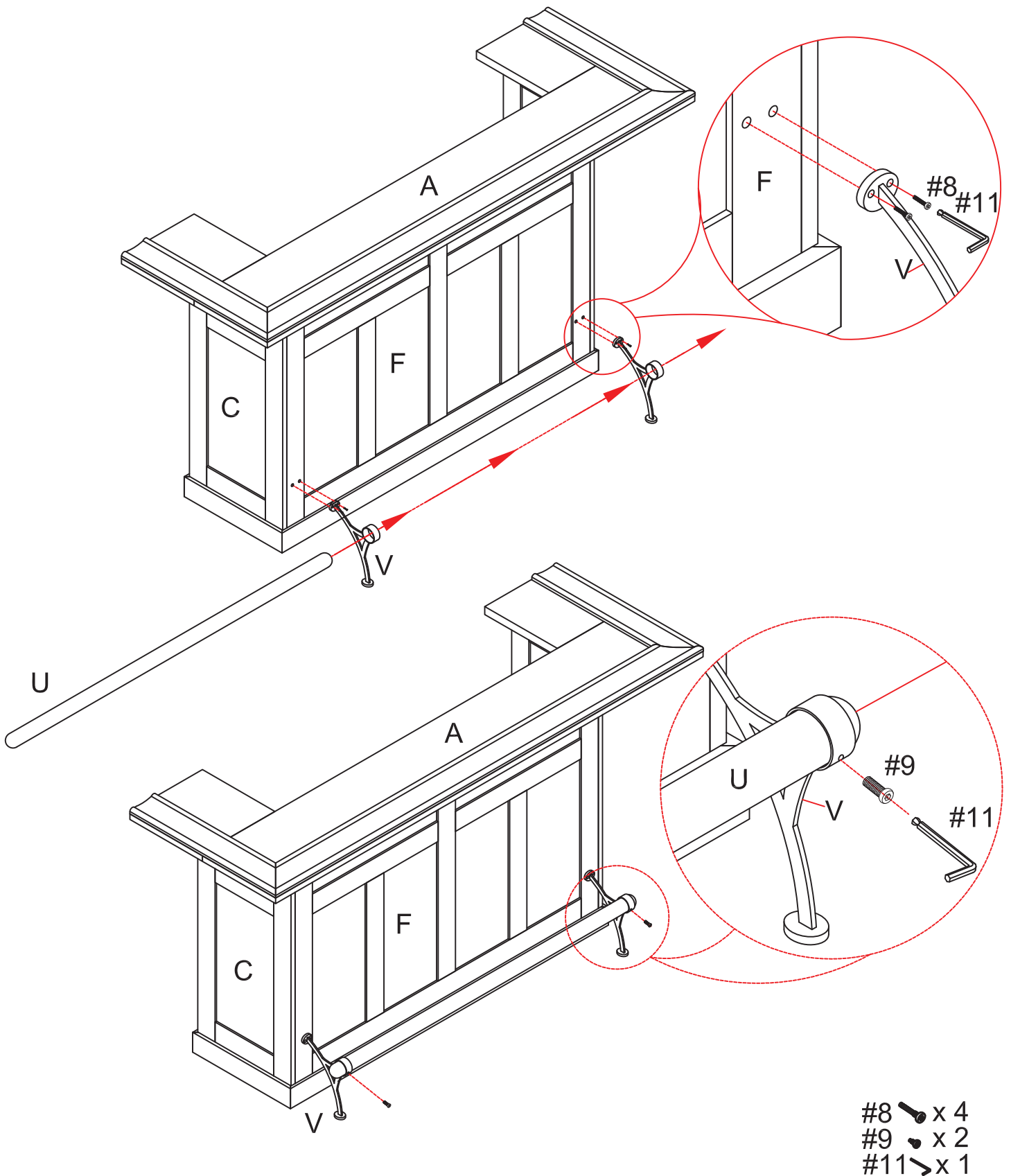
Step 6. Attach bottom panel (part G) to assembled unit (parts B, C, D, E, & F) using wood dowels (part #1), long bolts (part #7), allen wrench (part #11), and lock the hardware. Screw support legs (part W) into bottom panel (part G). Screw adjustable levelers (part #6) into bottom panel (part G) and support legs (part W).



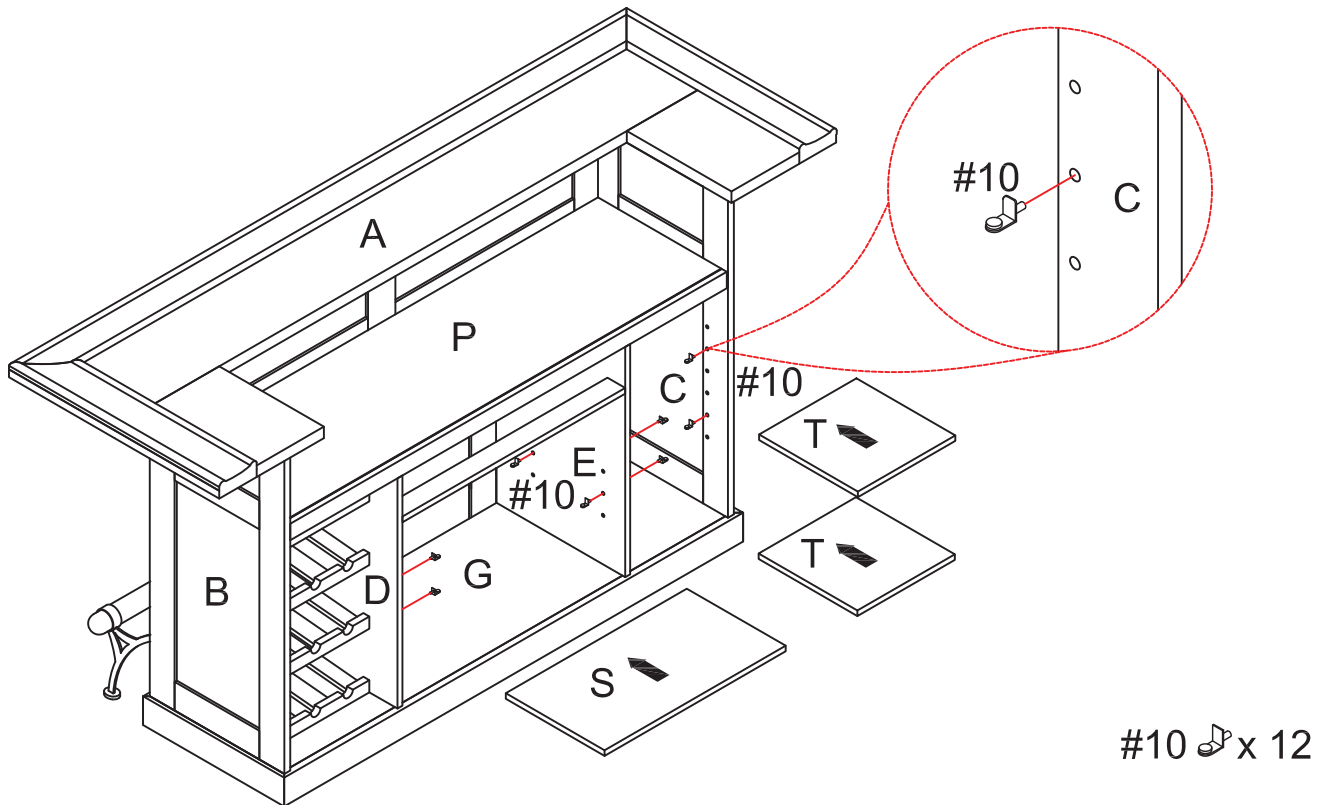
Step 7. Carefully turn the unit upright. Attach top panel (part A) to back panel (part F), left side panel (part B) and right side panel (part C) and lock the hardware.



Step 8. Attach footrest supports (part V) to back panel (part F) using medium bolts (part #8) and allen wrench (part #11). Slide footrest (part U) into the footrest supports (part V) as shown below, and secure in place using short bolts (part #9) and allen wrench (part #11).

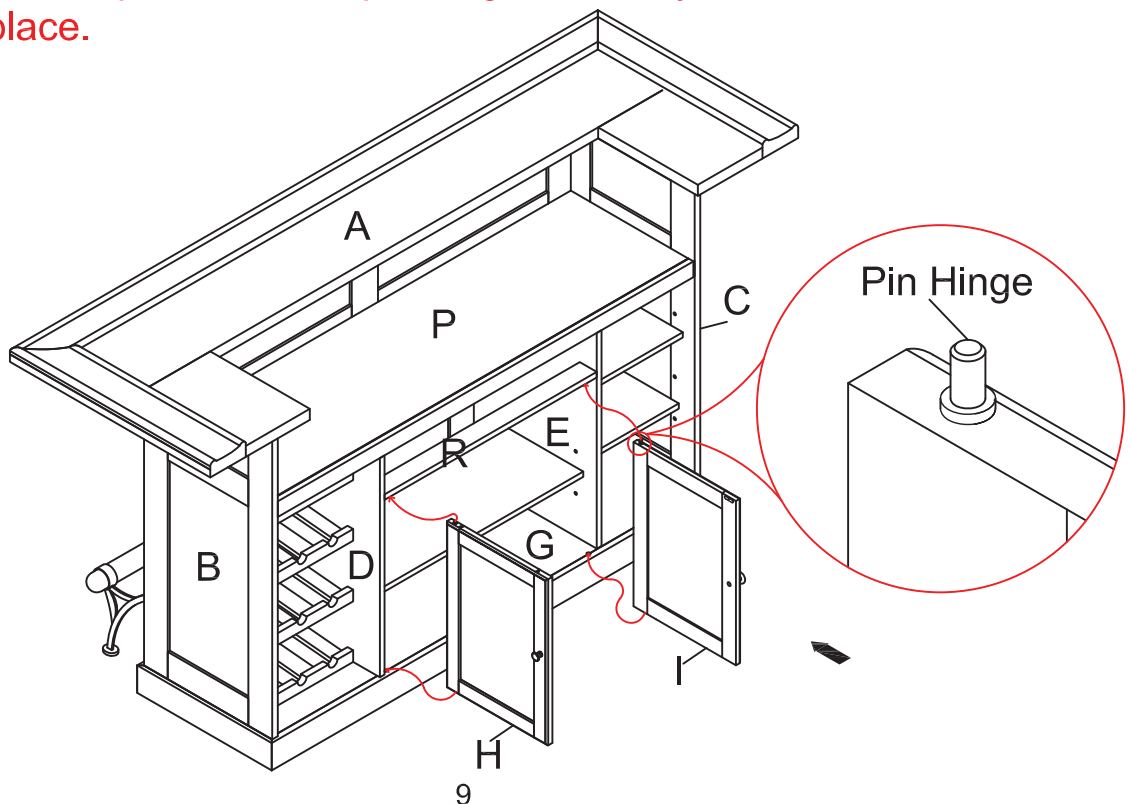


Step 9. Insert shelf holders (part #10) into desired position, and slide middle adjustable shelf (part S) and side adjustable shelves (part T) into place.

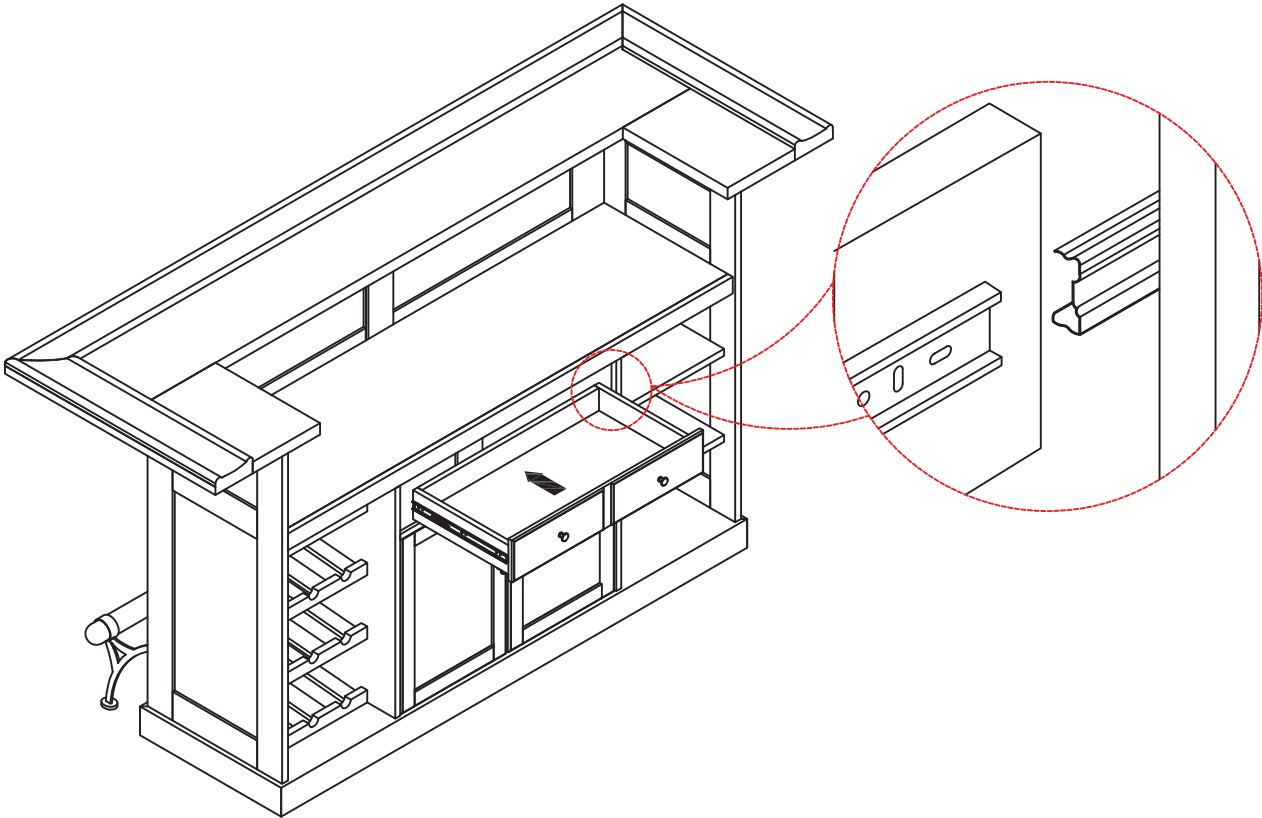


Step 10. Install left and right door (parts H & I) by placing the bottom pin hinge (pre-installed in door) in the pre-drilled holes of bottom panel (part G), and then depressing the top spring-loaded pin hinge so it can be placed in the pre-drilled holes of top rail (part R).

**Note:** Be sure top and bottom pin hinges are fully extended to secure doors in place.



Step 11. Slide drawer into place.



**WARNING:**  
Do NOT lift by cabinet by the top panel (part A) when moving!

