

## TABLE








Thank you for purchasing the **TABLE**!

Before you start, here is some helpful advice:

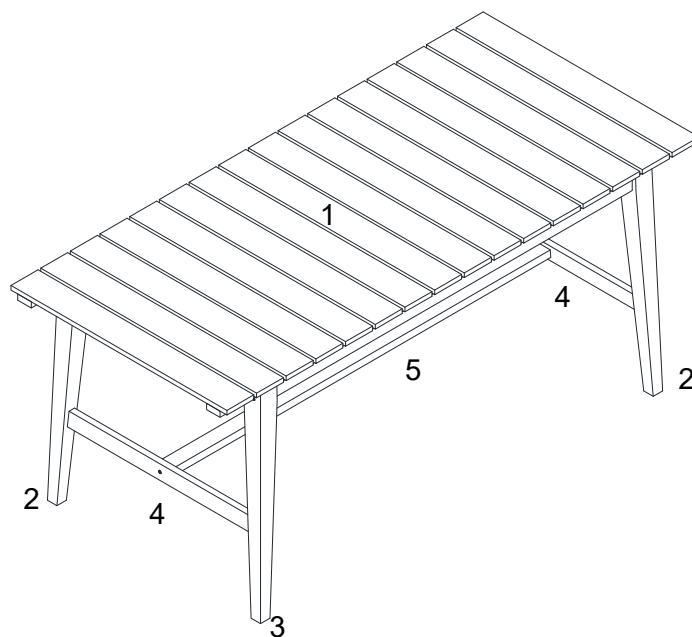
1. We suggest you spend a short time reading through this leaflet and then follow the simple step by step instructions.
2. Owing to the size and weight of the table, we recommend that it is assembled by two adults, on a carpeted or padded area, in the room that it is intended for. Approx assembly time: 30 minutes.
3. Please do not use any tools other than those provided or recommended in these instructions.
4. Please do not throw away any of the packaging or the instruction until you have checked all the components and hardware and the furniture is fully assembled. Please ensure that the packaging is disposed of in a safe environmentally friendly way.
5. Assemble all components loosely until advised to tighten. Depending on use, it may be necessary to tighten the components from time to time, so please save the tools that has been provided.
6. Please keep all fitting out of reach of children.



### Hardware:

A		Long Bolt M8x70m	x8
B		Spring Washer M8	x8
C		Flat Washer M8	x8
D		Open Wrench M5	x1
E		Medial Bolt M6x60mm	x4
F		Short Bolt M6x40mm	x2
G		Allen Wrench M4	x1

### Component:



1	Table Top	x1	2	Leg I	x2	3	Leg II	x2
4	Stretcher	x2				5	Bottom Rail	x2

**TABLE**

**STEP 1:**

Please put 1 piece of **Leg I (2)** and 1 piece of **Leg II (3)** upside down on a carpeted or padded area.

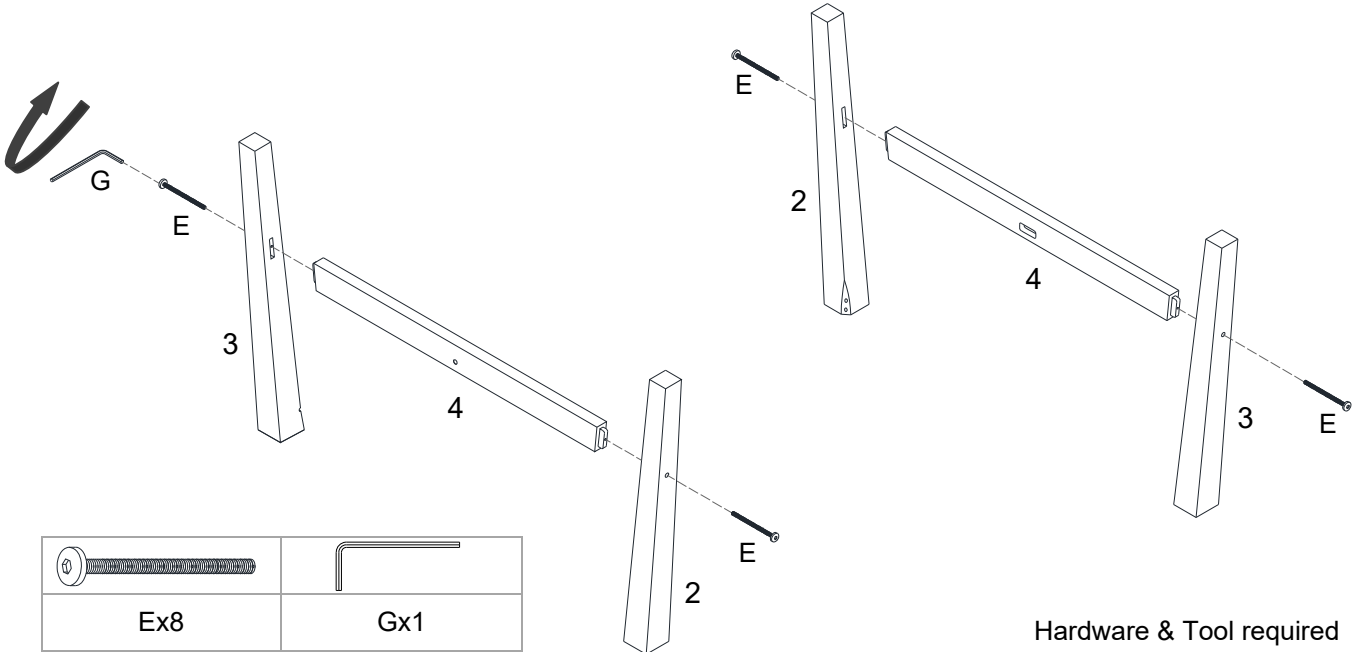
Position 1 piece of **Stretcher (4)** to the **Leg I (2)** and **Leg II (3)** as shown.

Insert the tenon on **Stretcher (4)** into the Rabbet on the **Leg I(2)** and **Leg II(3)**.

Insert 2 pieces of **Medial Bolt (E)** into the holes on **Stretcher (4)** through the holes on **Leg I (2)** and **Leg II (3)**.

Use **Allen Wrench (G)** to tighten **Medial Bolts (E)**. Do not fully tighten **Medial Bolts (E)** at this step.

Repeat the same steps for the remaining **Leg I(2)**, **Leg II(3)** and **Stretcher (4)**.



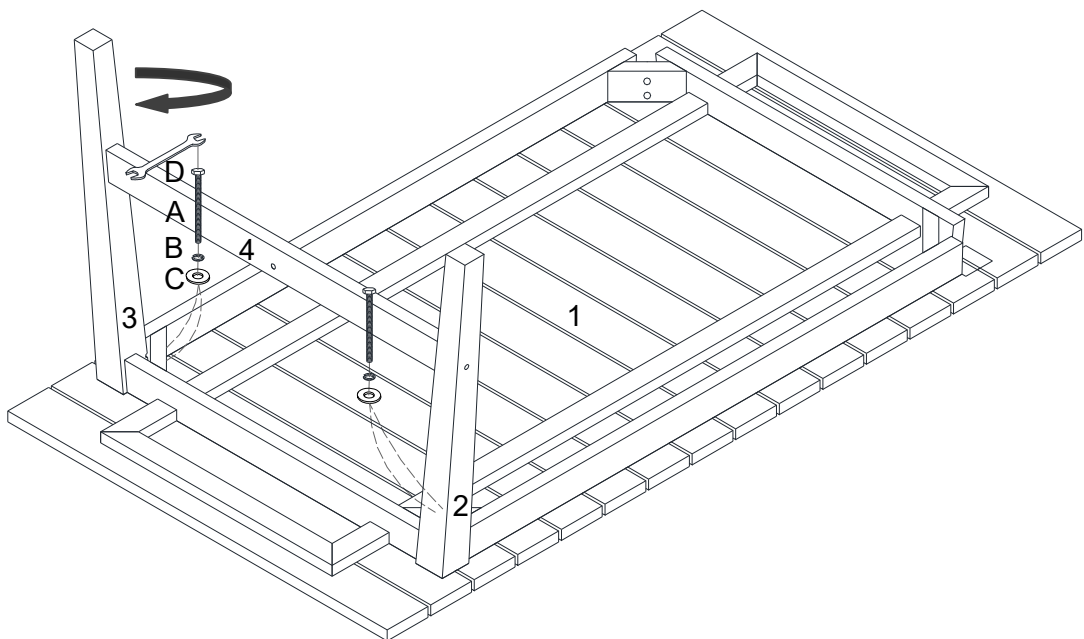
**STEP 2:**

Please put the **Table Top (1)** upside down on a carpeted or padded area.

Position the assembled **Leg I (2)**, **Leg II (3)** and **Stretcher (3)** into the corner of **Table Top (1)** as shown.

Insert 4 pieces of **Long Bolt (A)** with 4 pieces of **Spring Washer (B)** and 4 pieces of **Flat Washer (C)** into the pre-drilled holes on bottom of **Leg I (2)** and **Leg II (3)** through the pre-drilled holes on **Table Top (1)**.

Use **Open Wrench (D)** to tighten **Long Bolts (A)** clockwise until secure.



**TABLE**

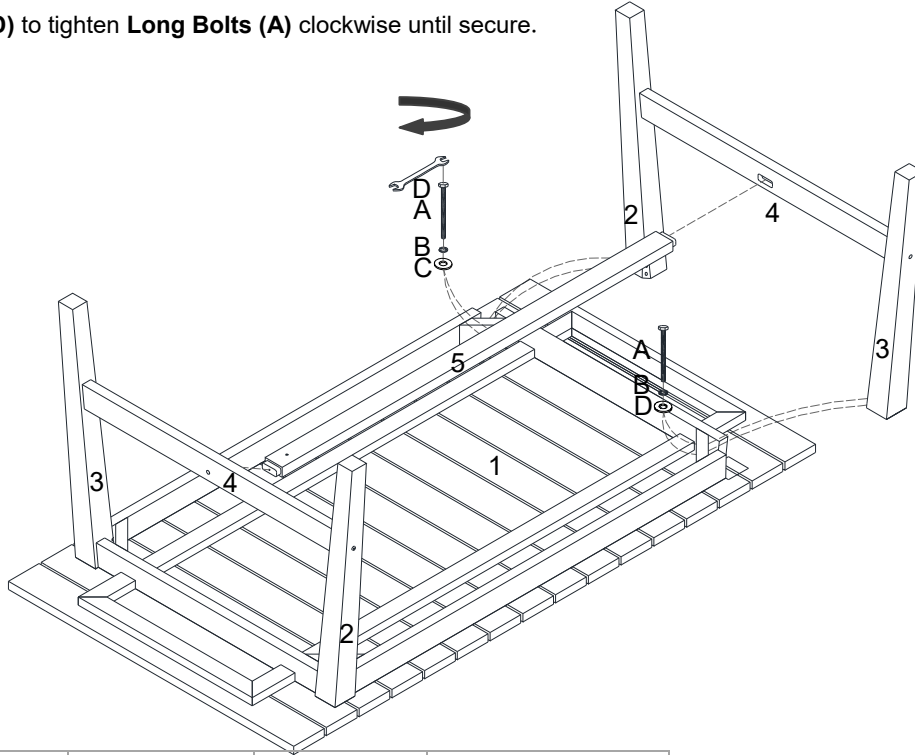
**STEP 3:**

Position the other sets of assembled **Leg I(2)**, **Leg II(3)** and **Stretcher (3)** into the corner of **Table Top (1)** as shown.

Insert the tenon on the end of **Bottom Rail(5)** into the rabbet of **Stretchers(4)**.

Insert 4 pieces of **Long Bolt (A)** with 4 pieces of **Spring Washer (B)** and 4 pieces of **Flat Washer (C)** into the pre-drilled holes on bottom of **Leg I(2)** and **Leg II(3)** through the pre-drilled holes on **Table Top (1)**.

Use **Open Wrench (D)** to tighten **Long Bolts (A)** clockwise until secure.



Ax4	Bx4	Cx4	Dx1

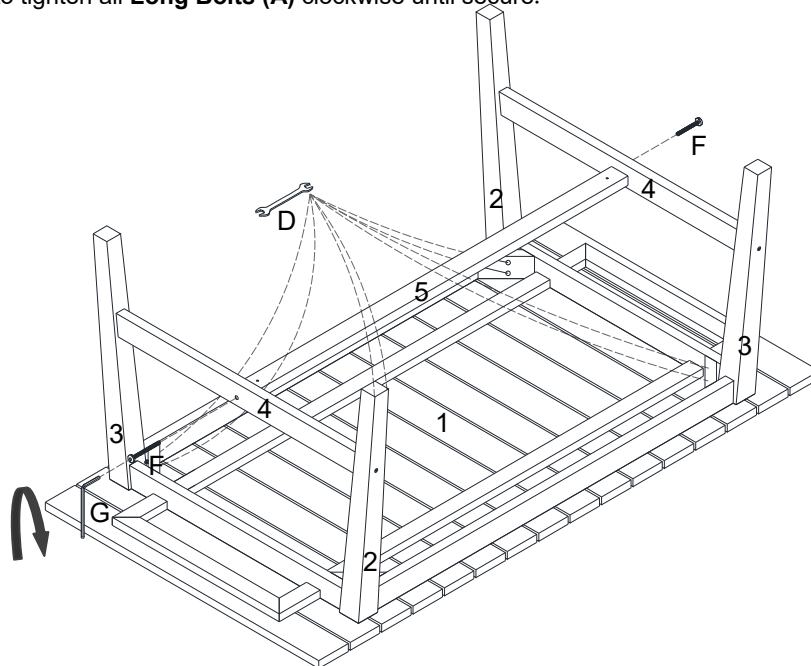
Hardware & Tool required

**STEP 4:**

Insert 2 pieces of **Short Bolt (F)** into the holes on **Bottom Rail (5)** through the holes on **Stretchers (4)**.

Use **Allen Wrench (G)** to tighten all the **Medial Bolts (E)** and **Short Bolts (F)**.

Use **Open Wrench (D)** to tighten all **Long Bolts (A)** clockwise until secure.



Dx1	Fx2	Gx1

Hardware & Tool required

## TABLE

---

### STEP 5:

Carefully turn over the assembled table.



Assembly is completed. Your table is ready to be used now!