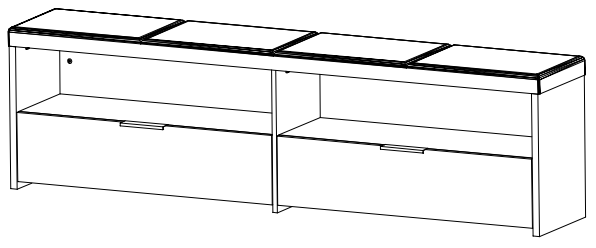
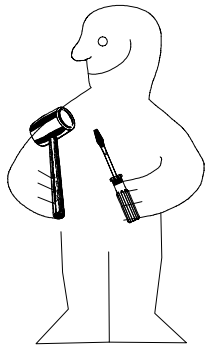
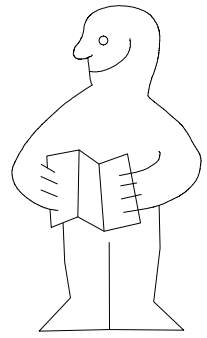
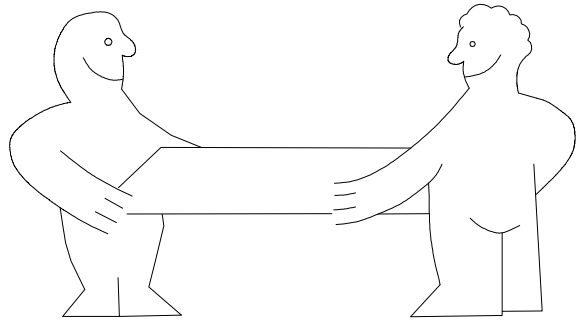
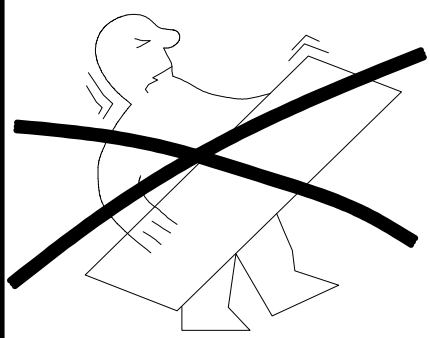


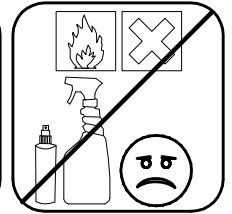
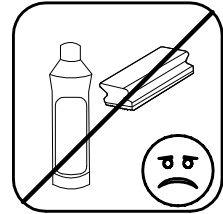
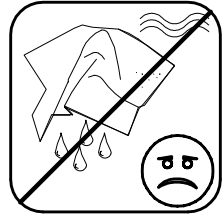
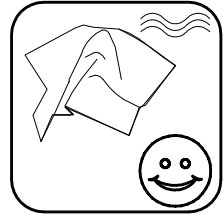
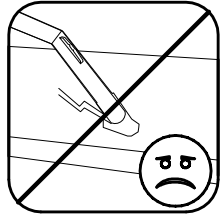
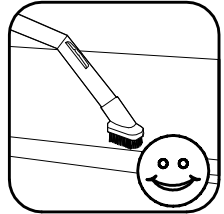
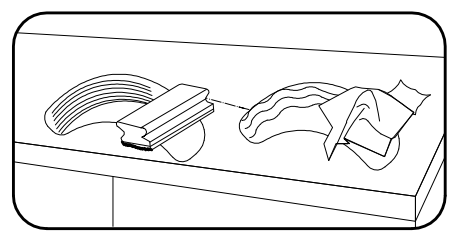
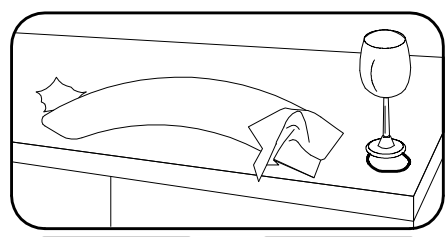
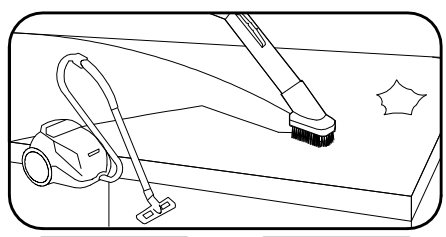
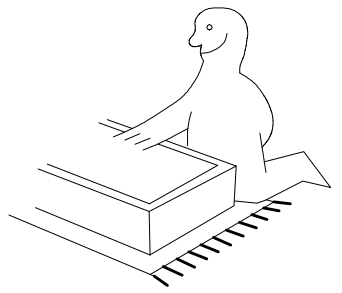
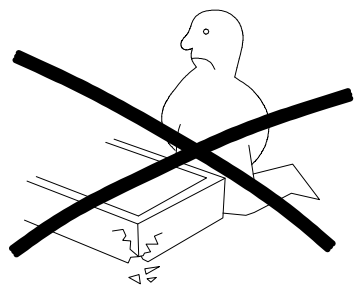
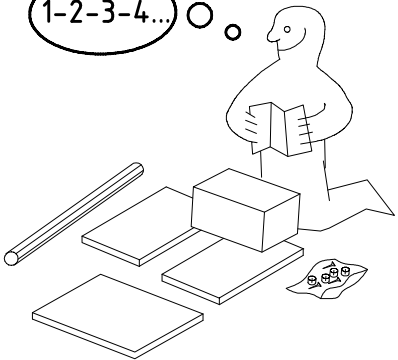
980113



721



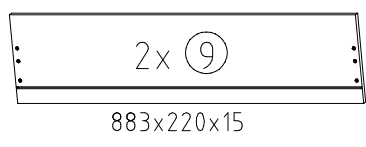
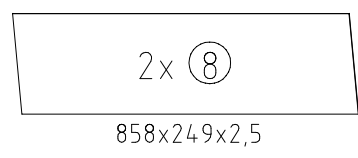
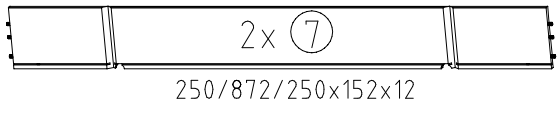
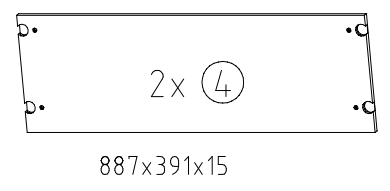
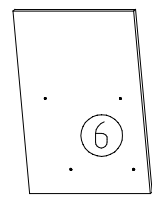
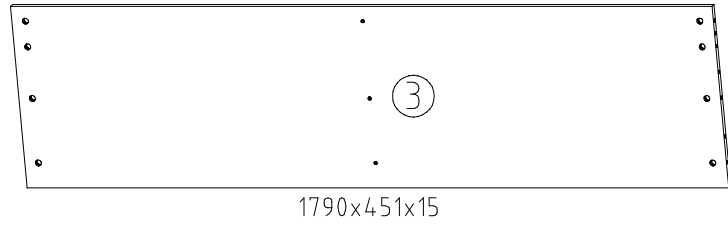
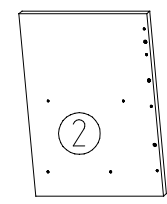
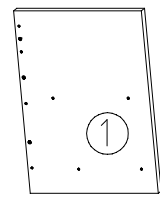
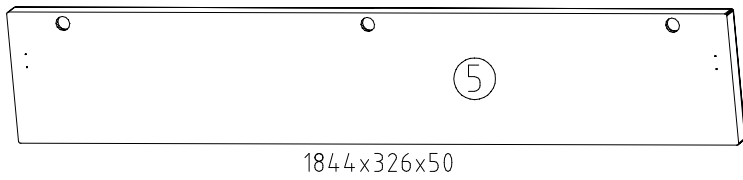
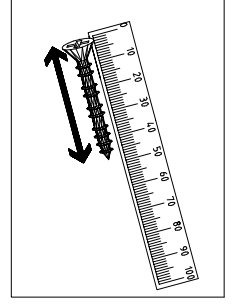
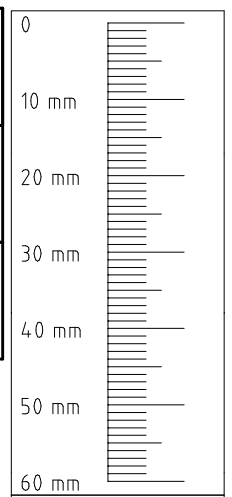
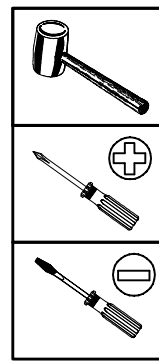
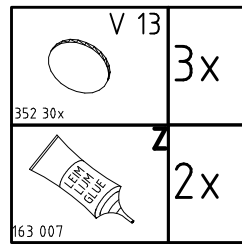
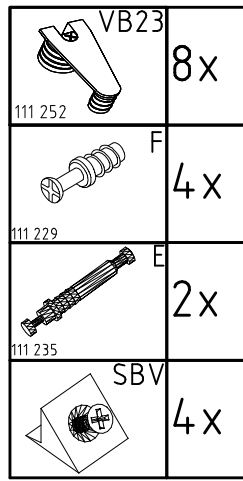
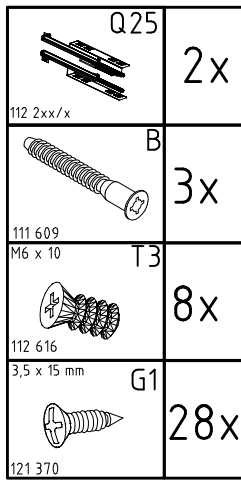
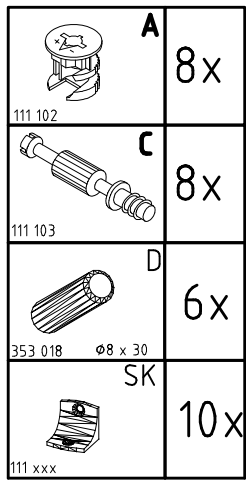
1-2-3-4... ○



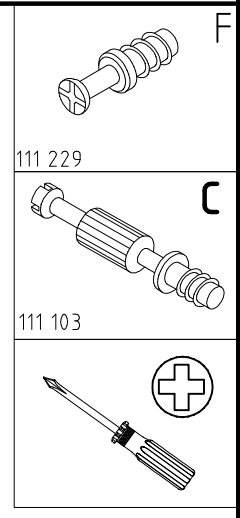
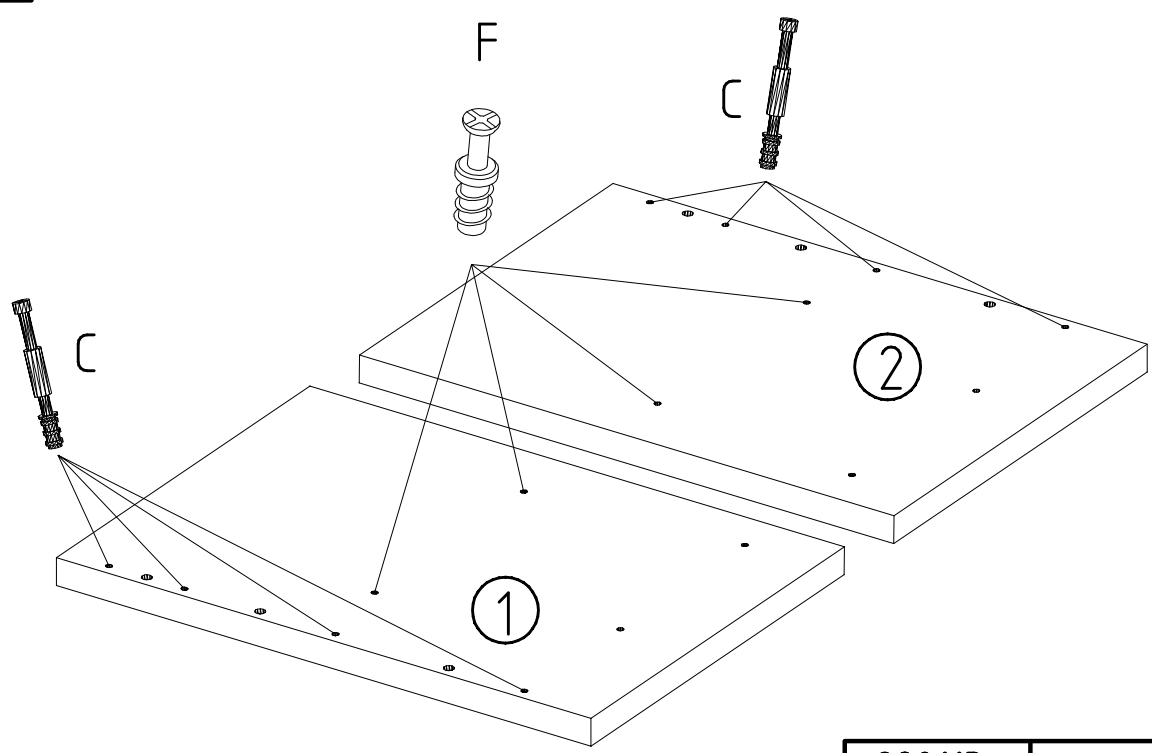
980113

23.06.16 / -

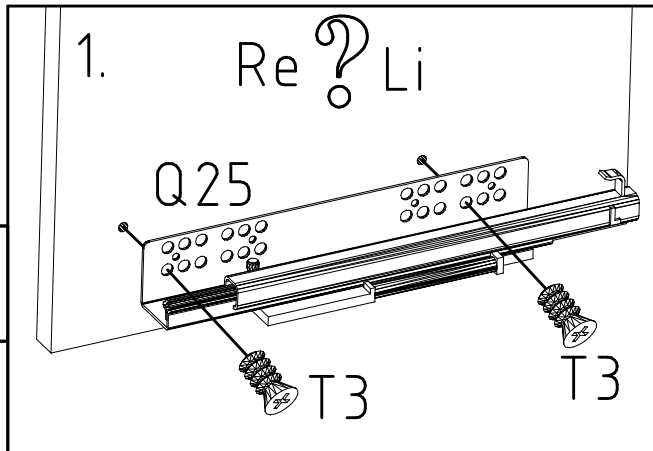
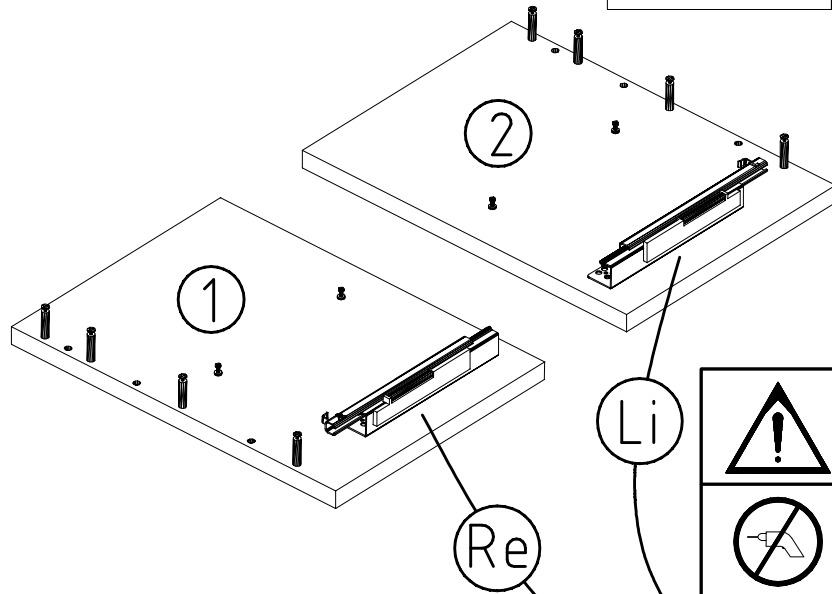
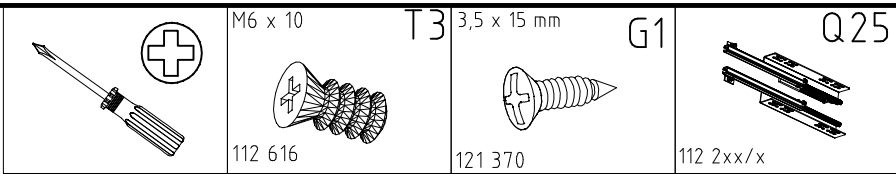
06 16 | 1/9



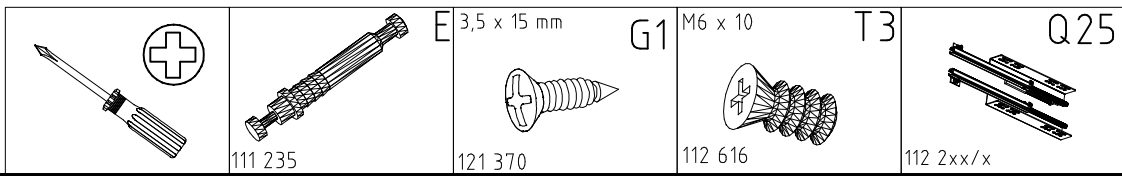
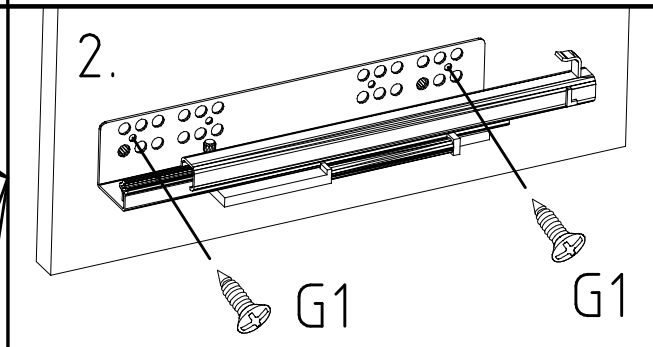
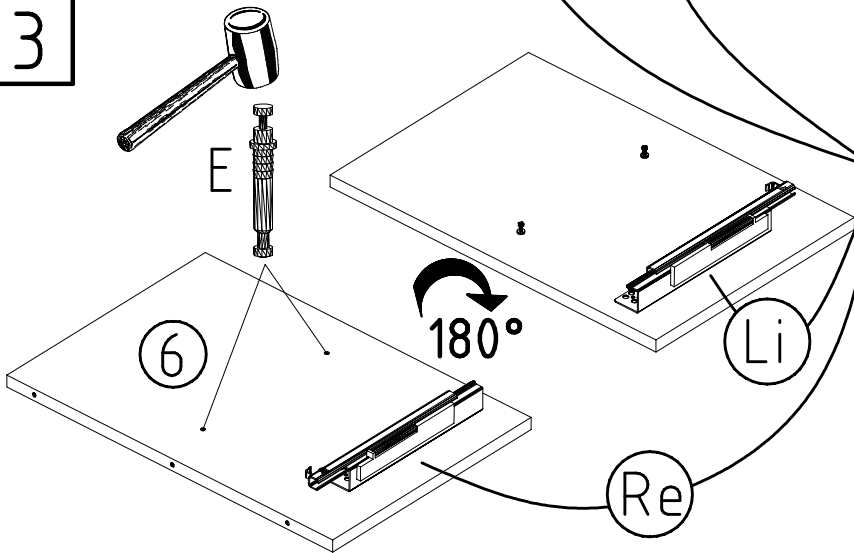
1



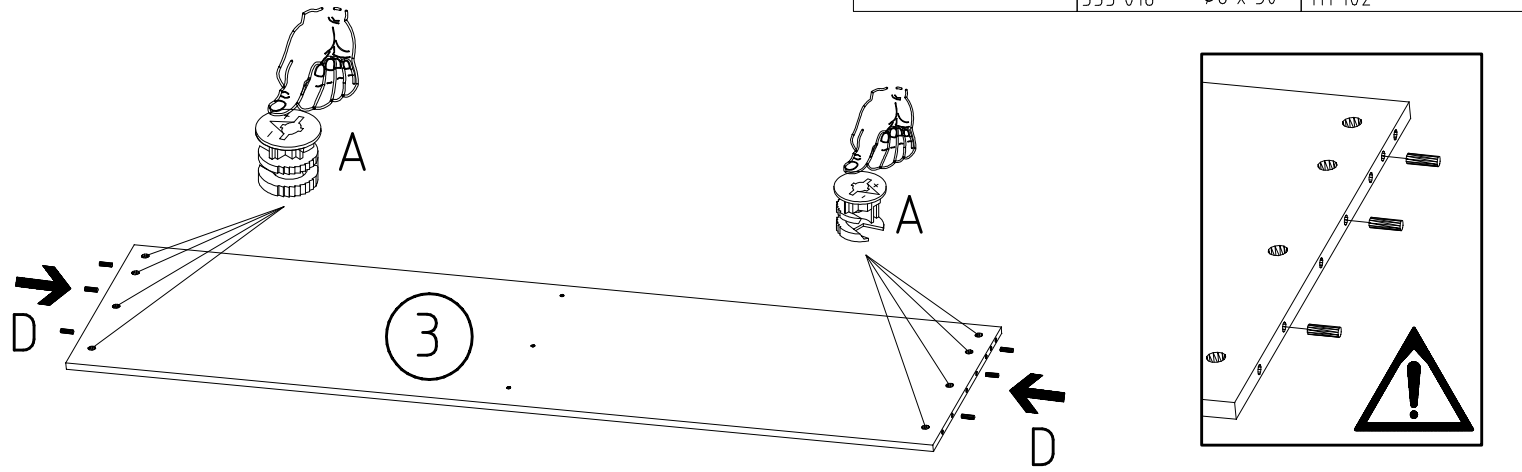
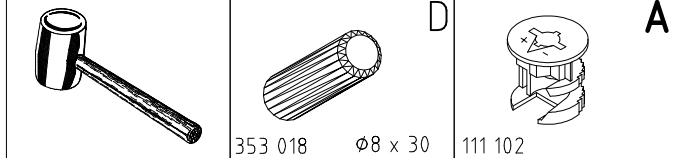
2



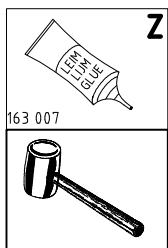
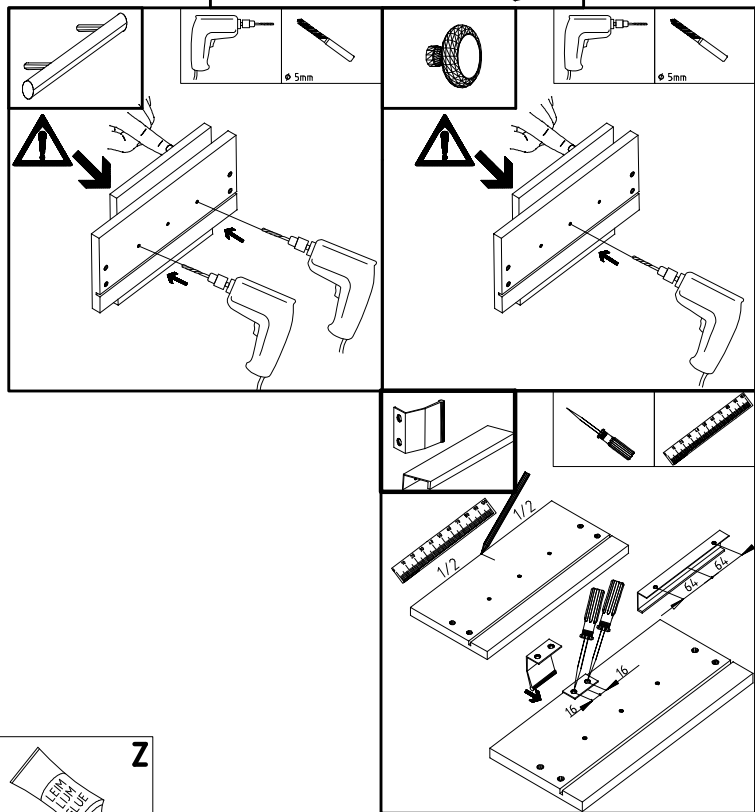
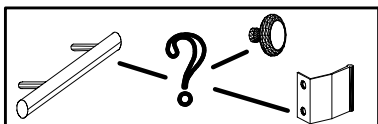
3



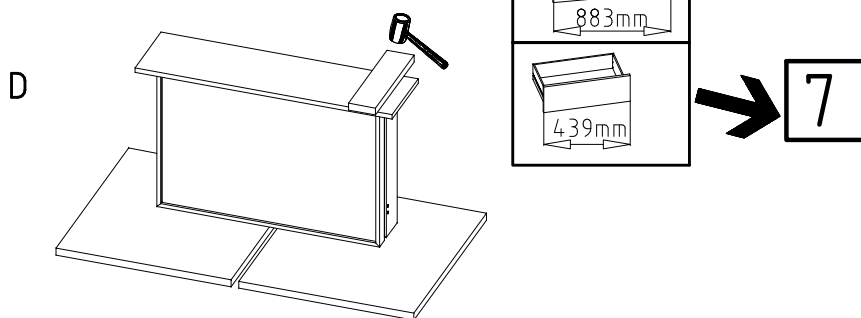
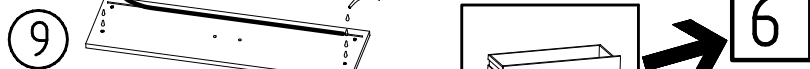
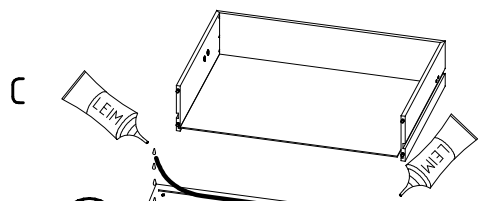
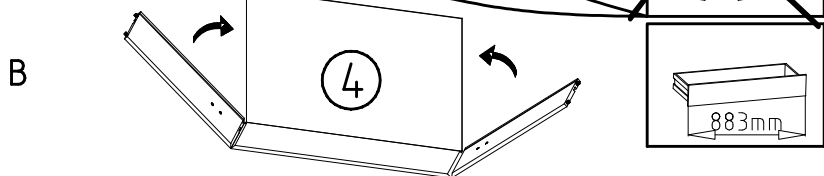
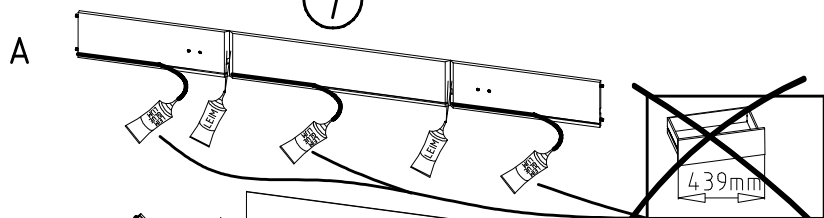
4



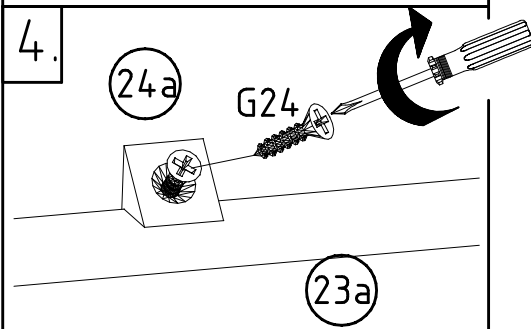
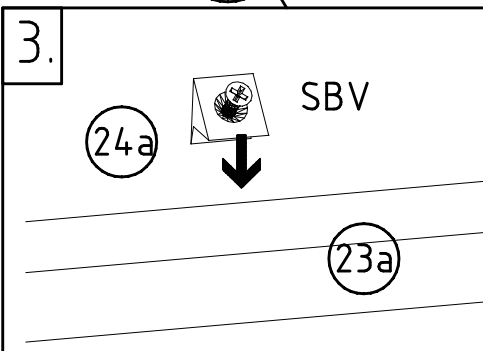
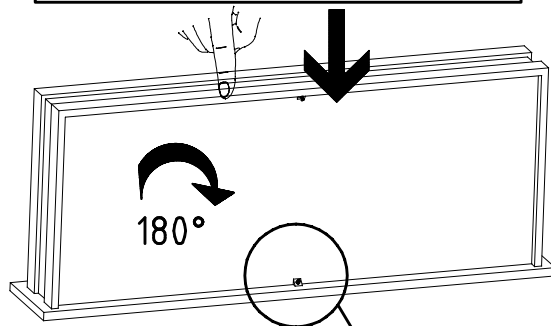
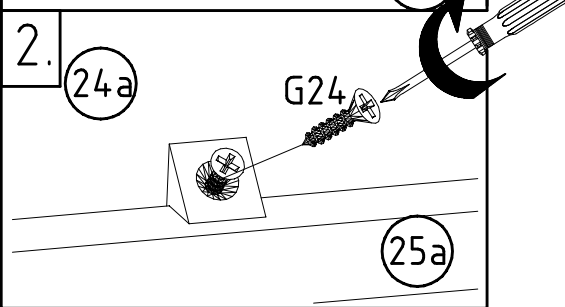
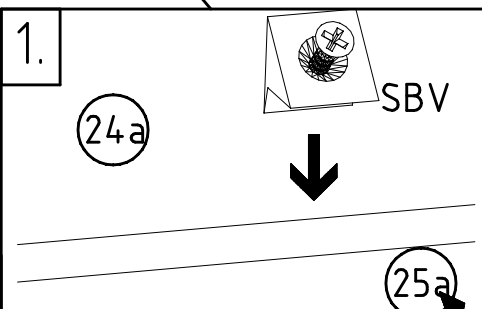
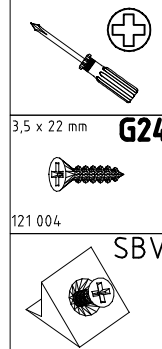
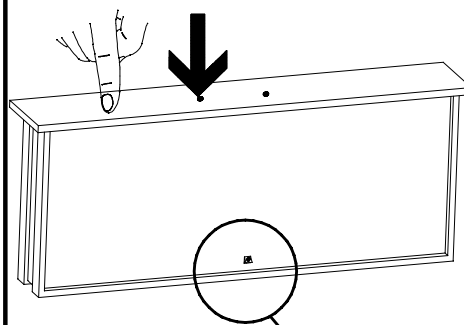
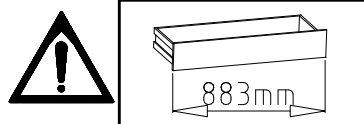
5

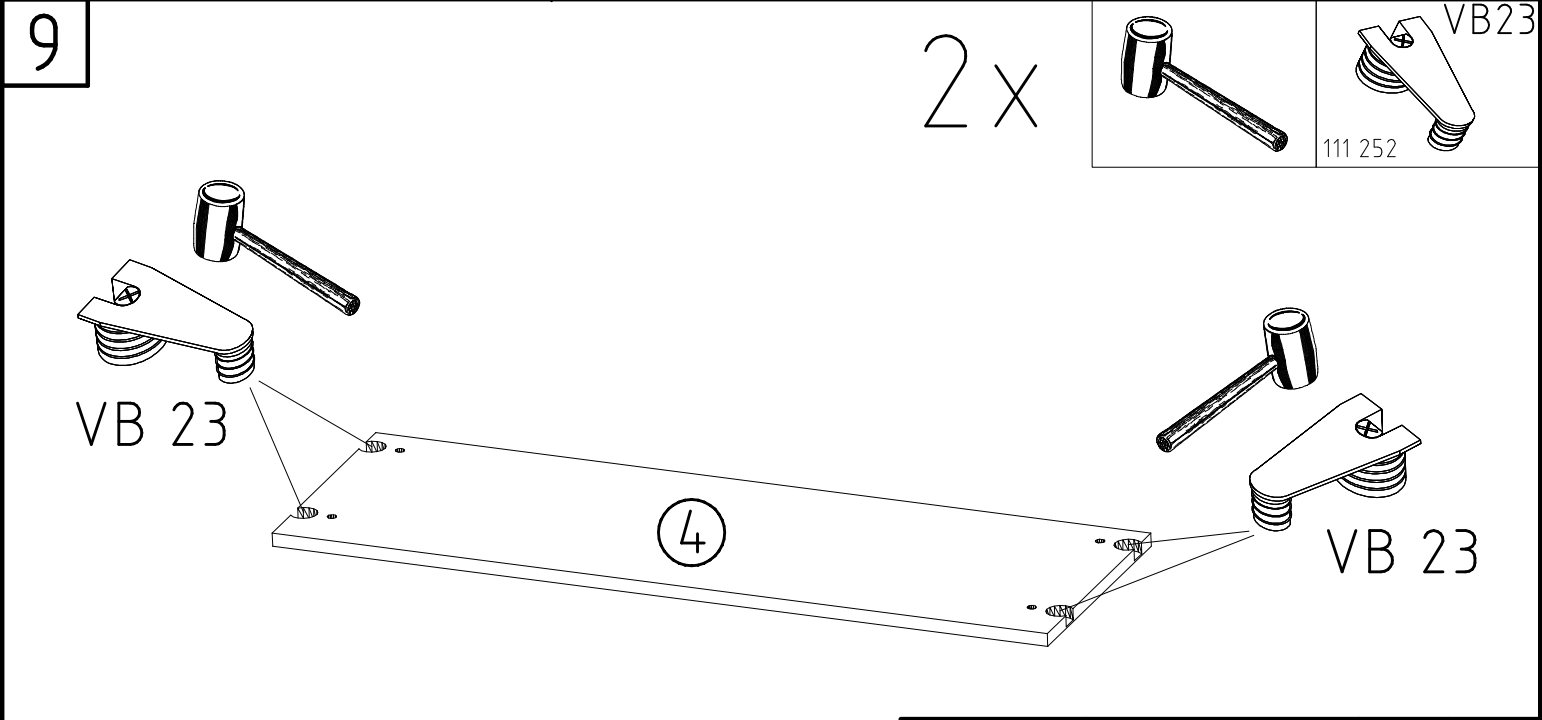
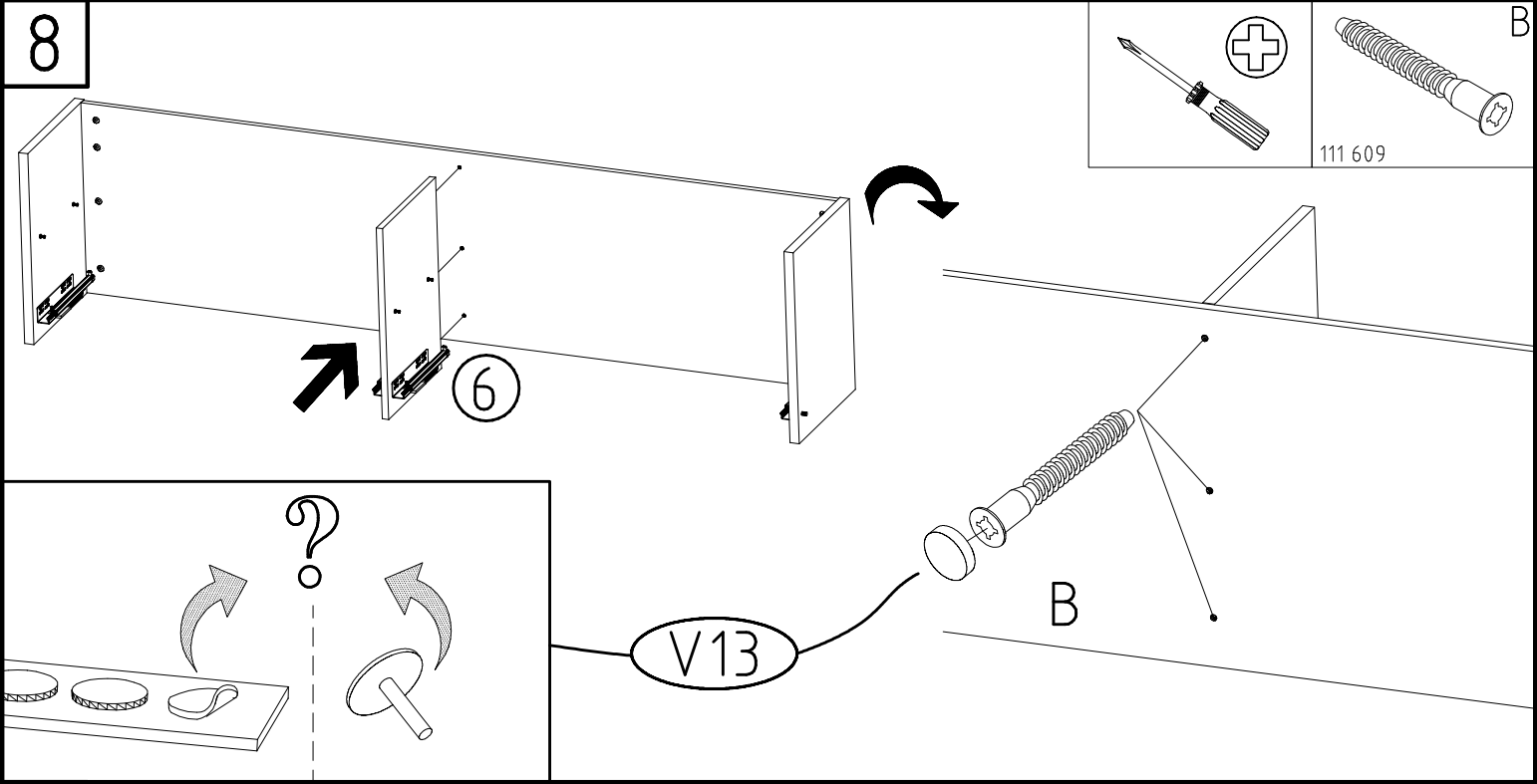
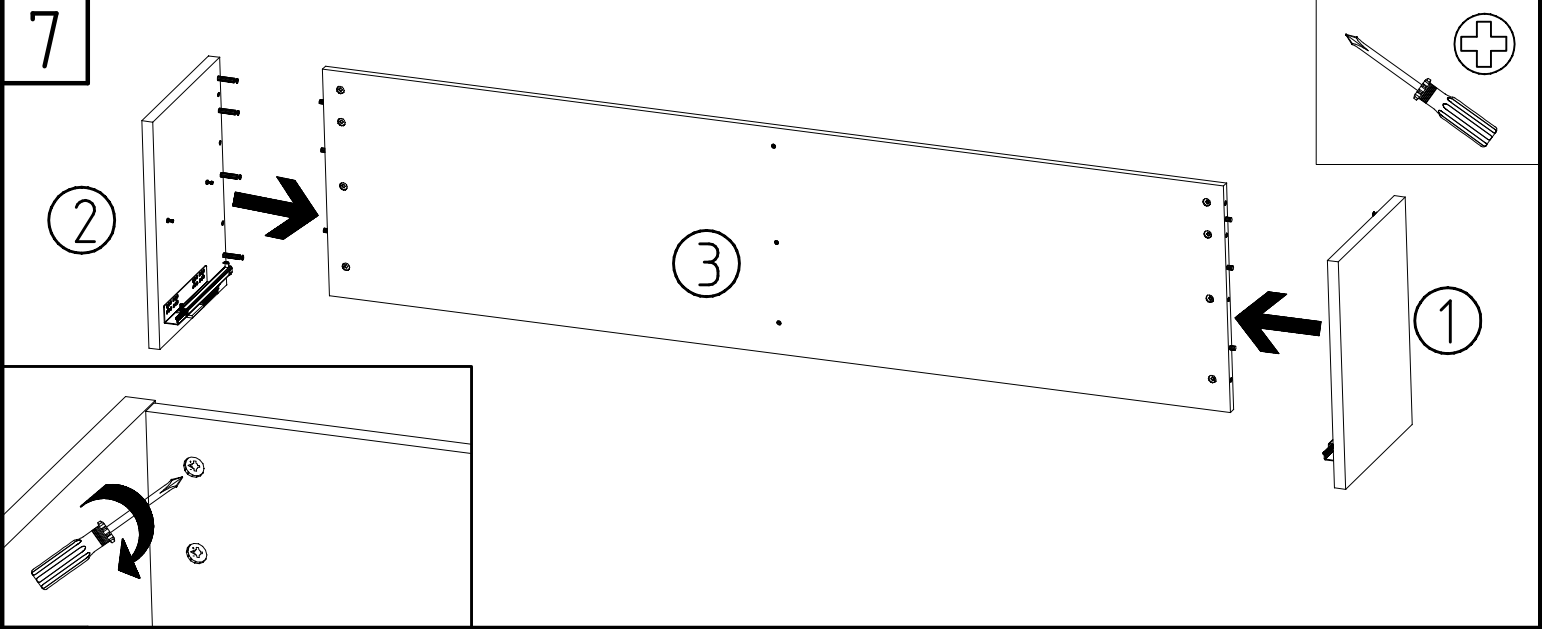


7



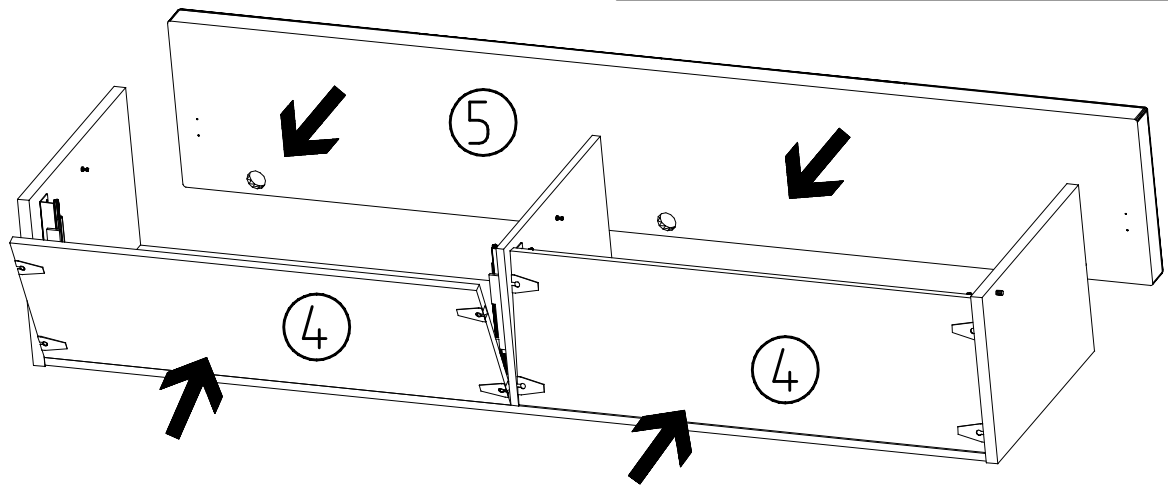
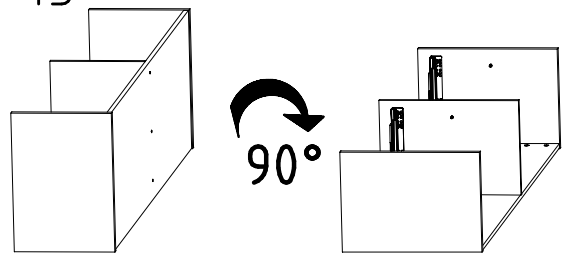
6





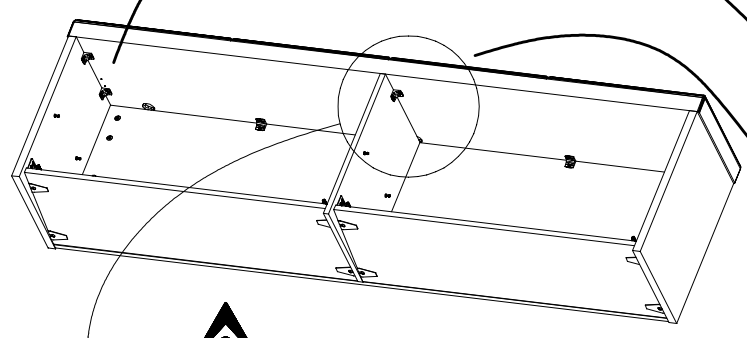
10

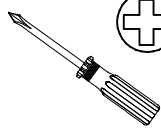
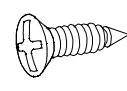


10-13

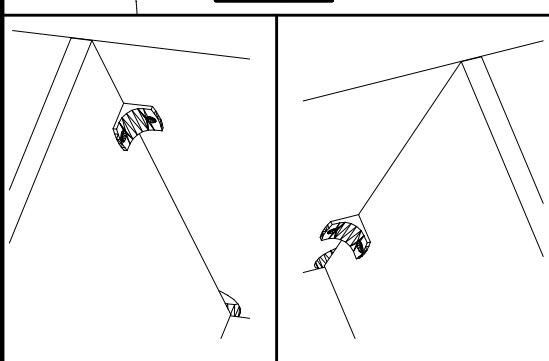
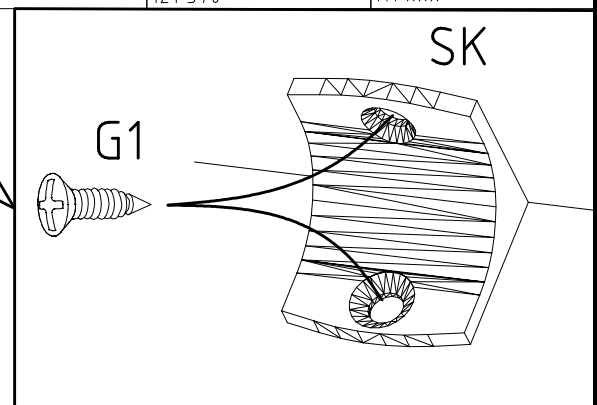


11

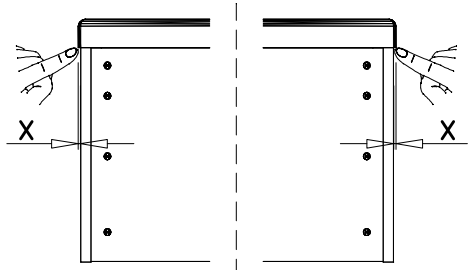
2x SK



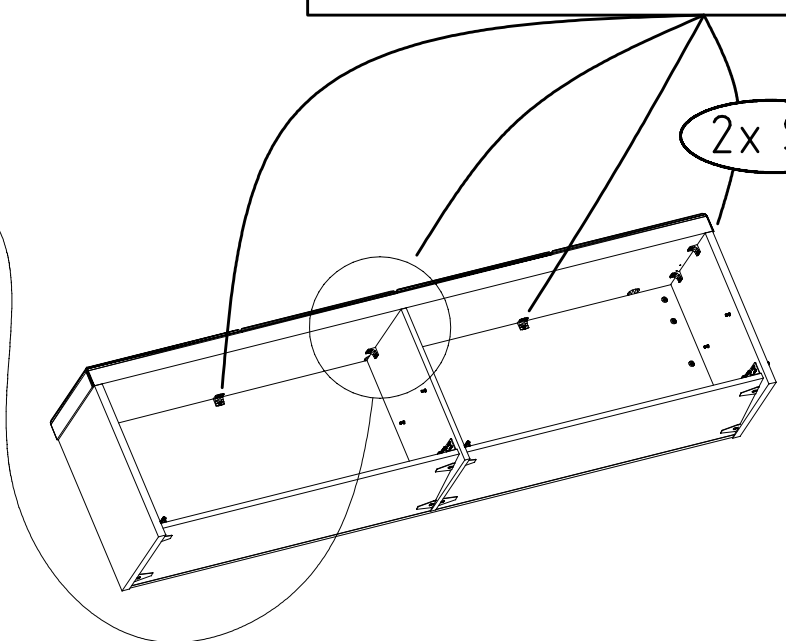
		
	3,5 x 15 mm G1	SK
	121 370	111 xxx



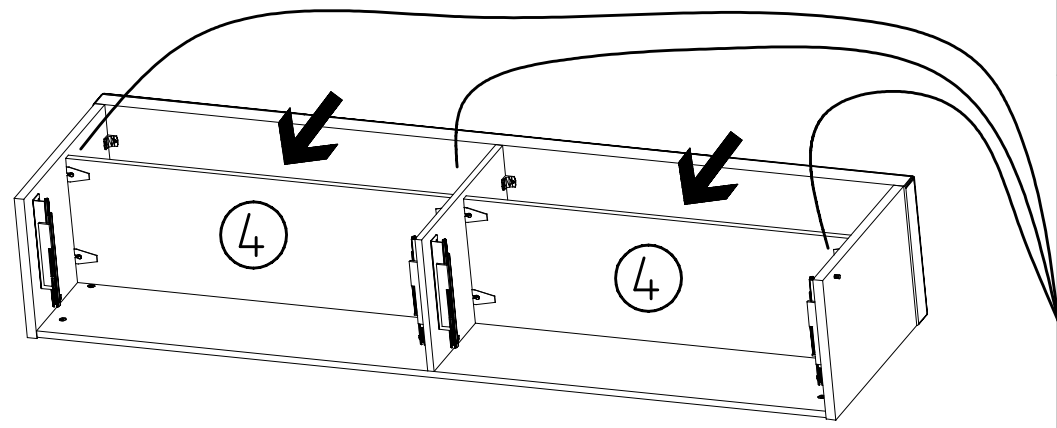
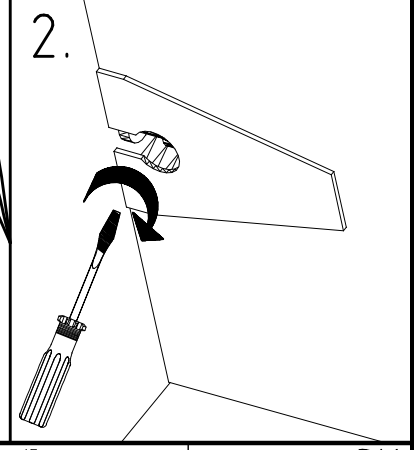
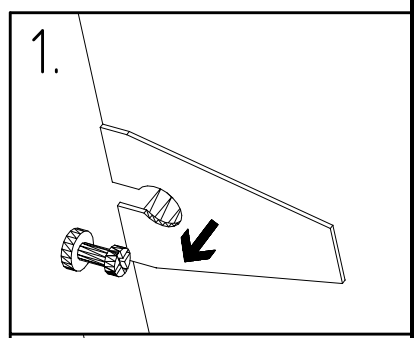
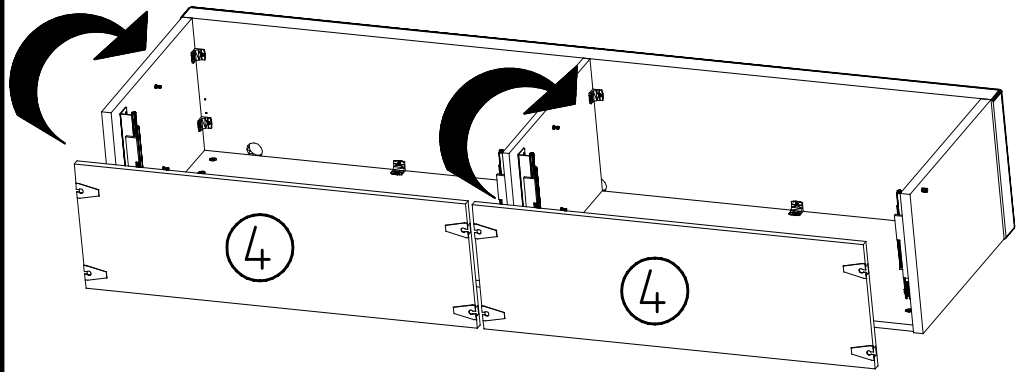
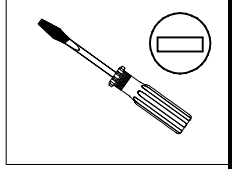
X = X



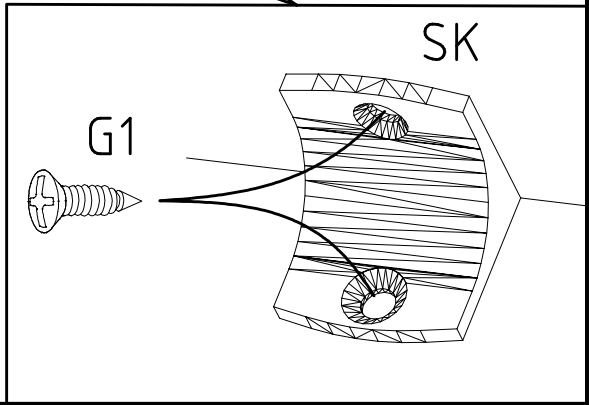
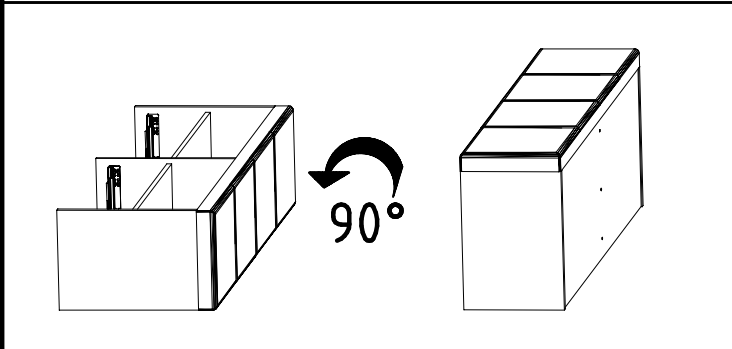
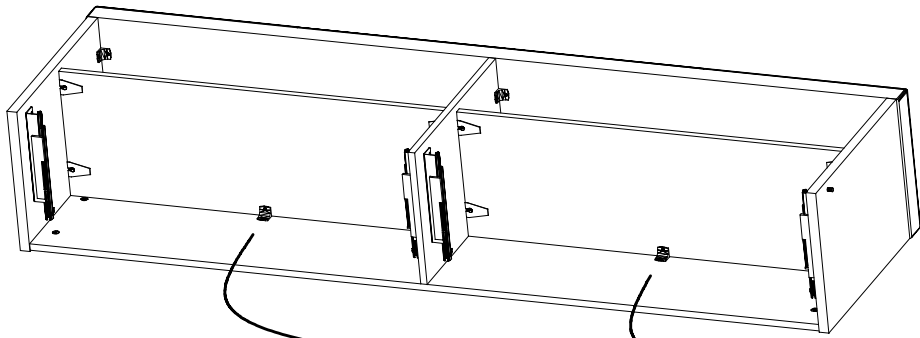
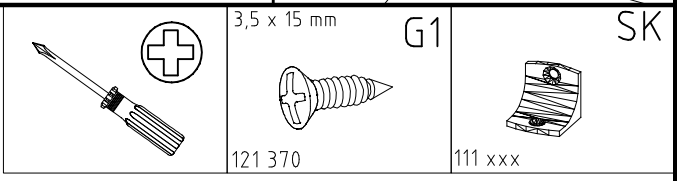
2x SK



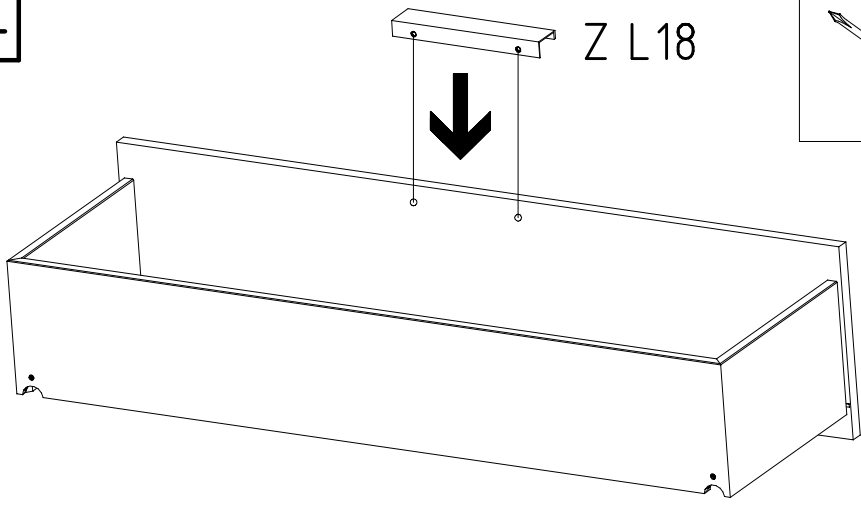
12



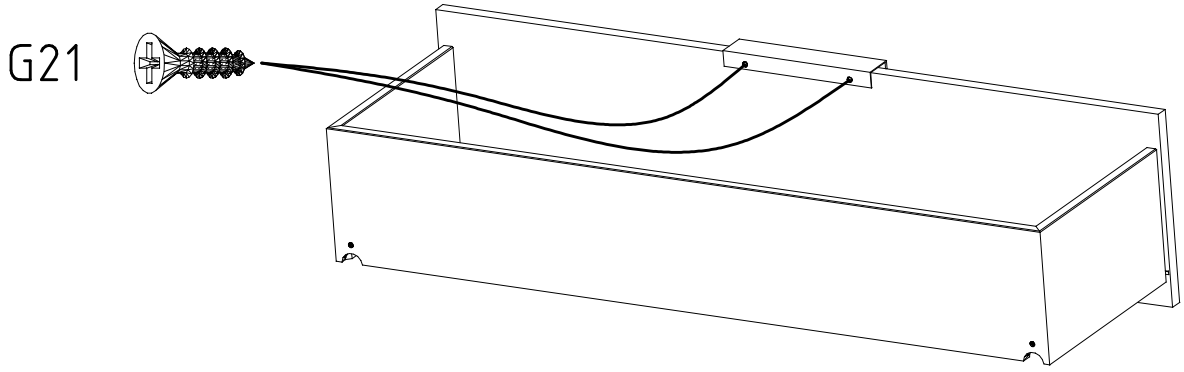
13



14



	<p>3 x 13 mm G21</p> <p>121 113</p>	<p>Z L18</p> <p>115 750</p>
--	-------------------------------------	-----------------------------



15

