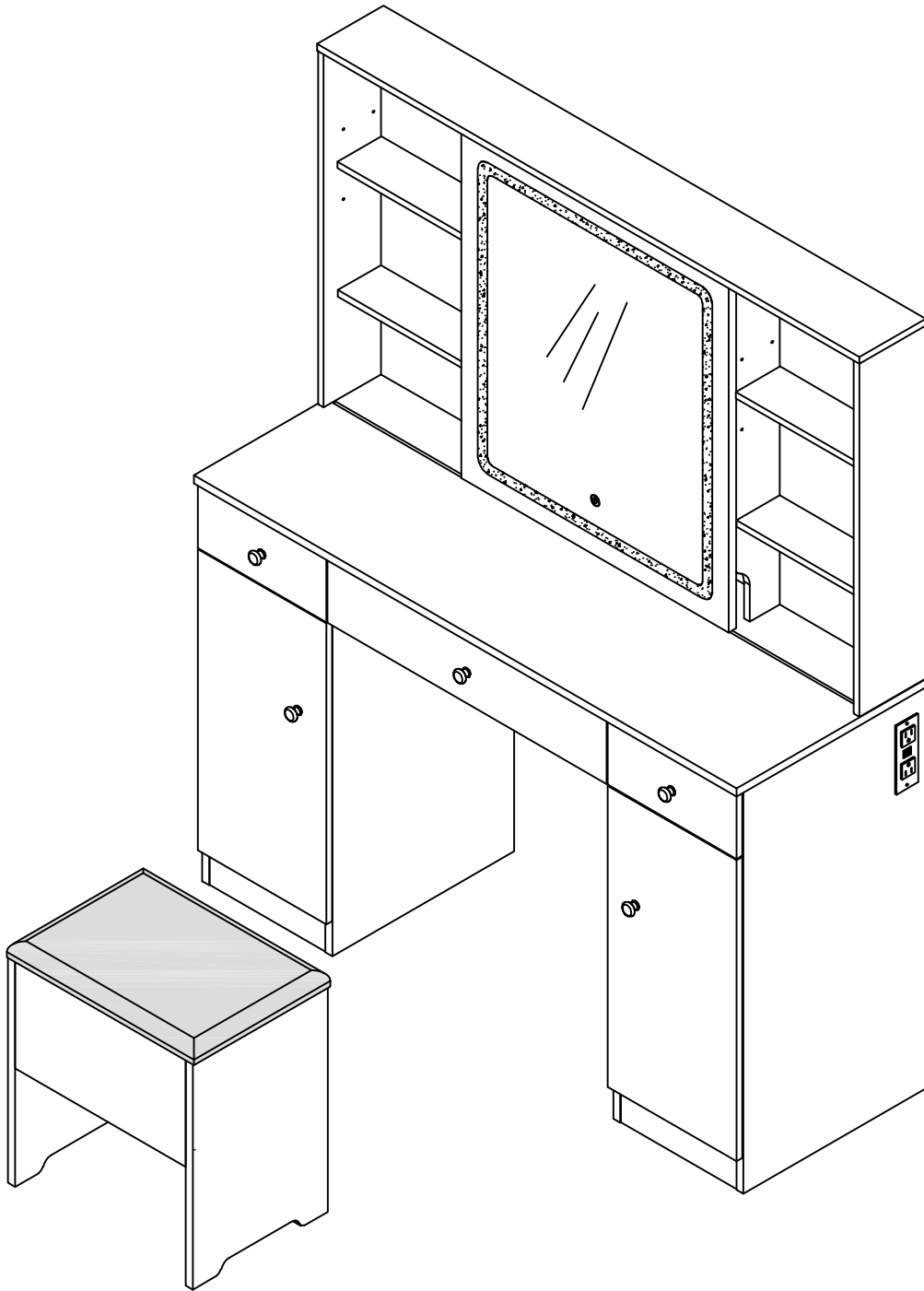
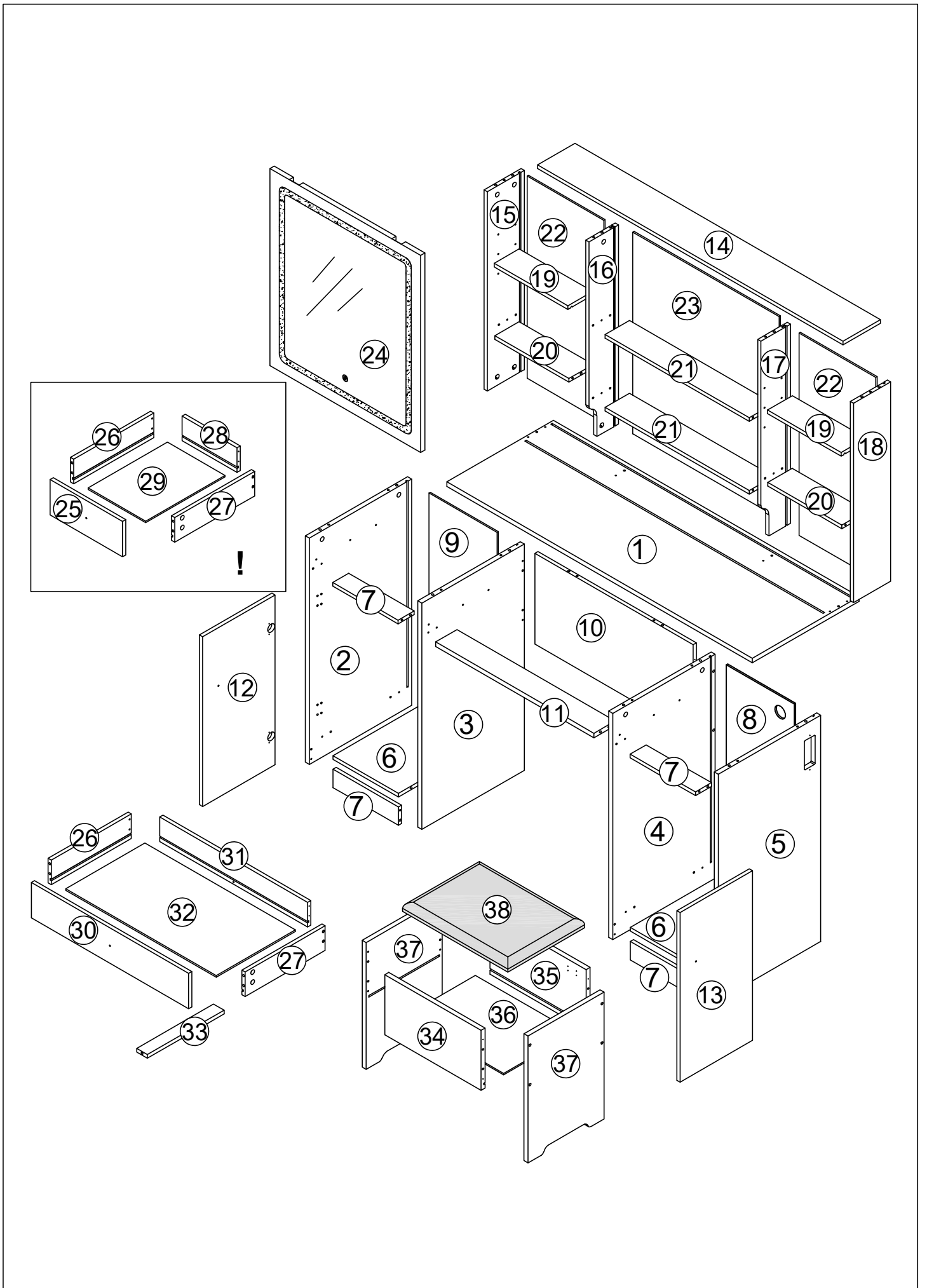
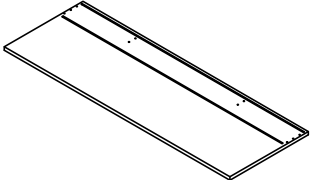
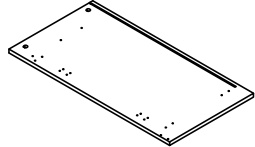
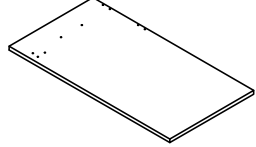
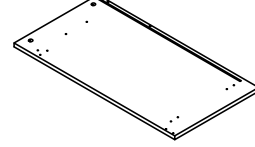
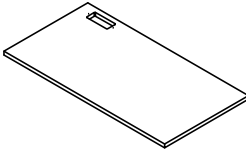
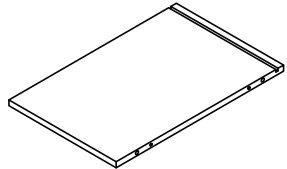
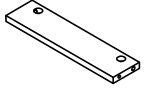
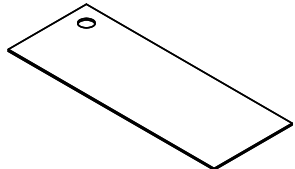
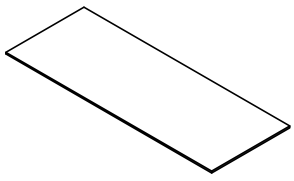
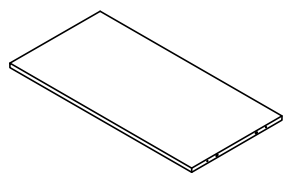
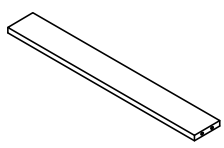
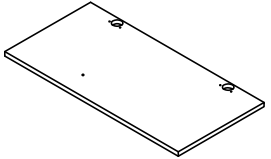
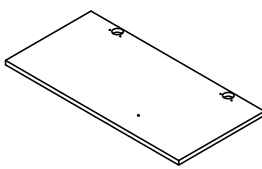
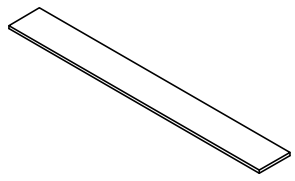
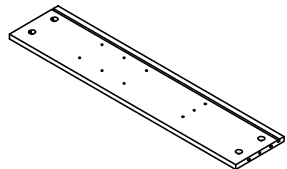
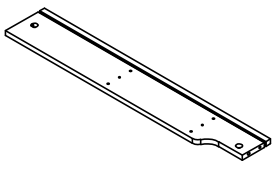
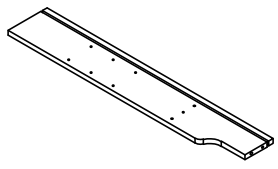
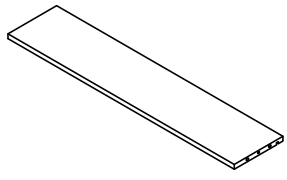
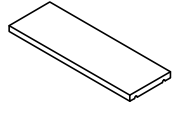
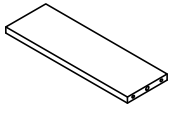
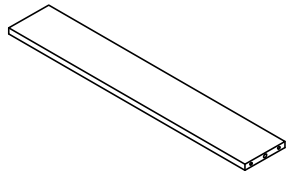
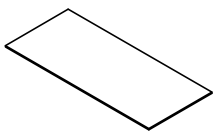
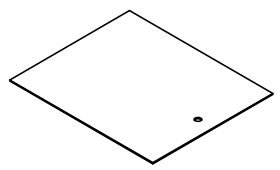
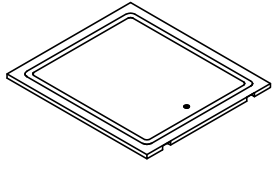
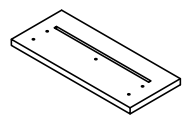
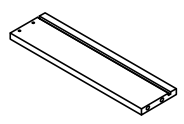
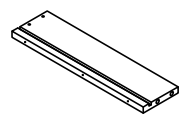
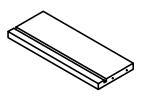
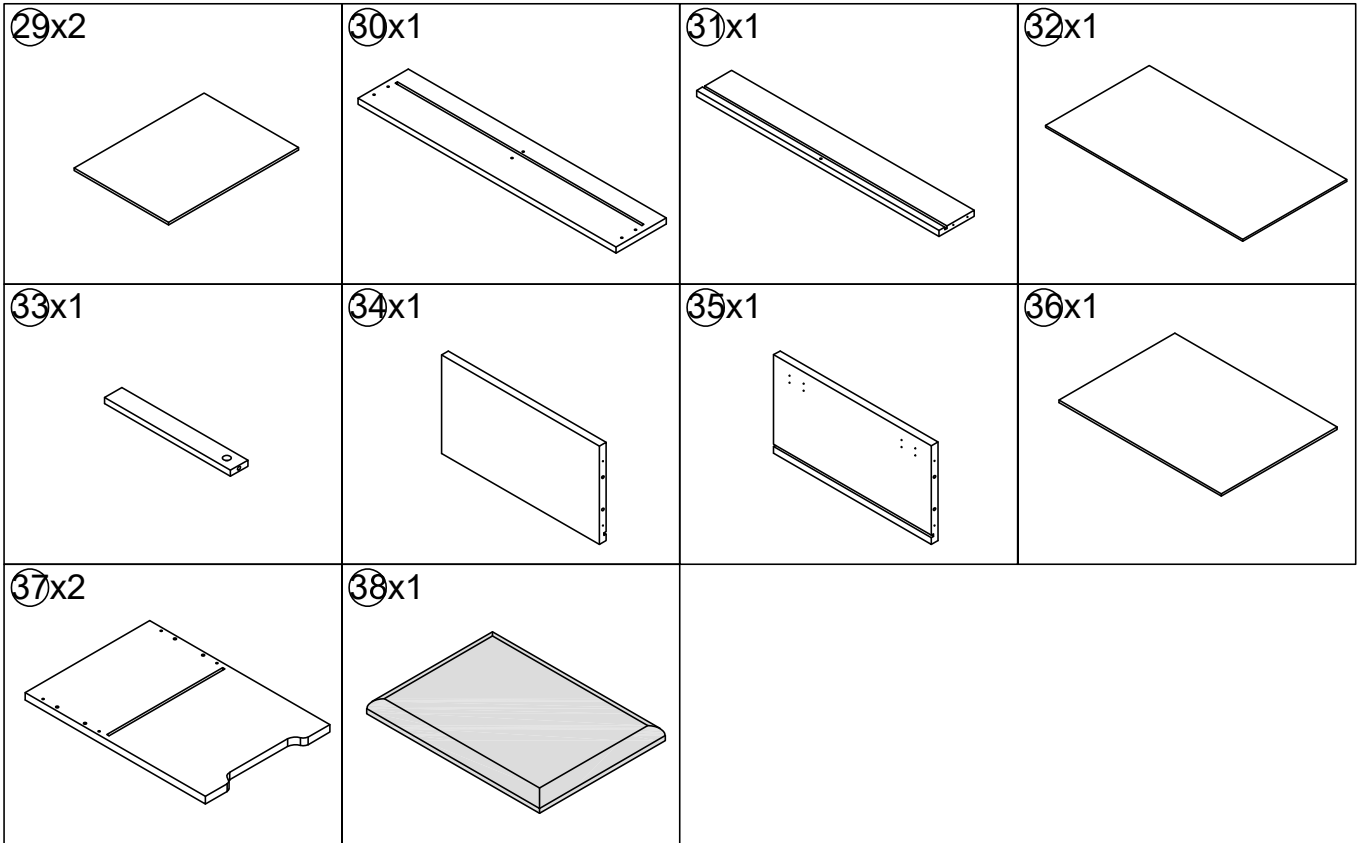


Installation & Assembly

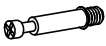







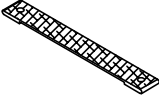

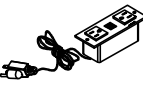





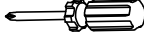
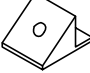












①x1 	②x1 	③x1 	④x1 
⑤x1 	⑥x2 	⑦x4 	⑧x1 
⑨x1 	⑩x1 	⑪x1 	⑫x1 
⑬x1 	⑭x1 	⑮x1 	⑯x1 
⑰x1 	⑱x1 	⑲x2 	⑳x2 
㉑x2 	㉒x2 	㉓x1 	㉔x1 
㉕x2 	㉖x3 	㉗x3 	㉘x2 



Hardware

A	x63 +2(spare)	B	x63 +2(spare)	C	x62 +3(spare)	D	x27 +2(spare)	E	x52 +3(spare)	F	x14 +2(spare)
											
6x35mm		15x10mm		6x30mm		4x35mm		3.5x12mm		20mm	
G	x5	H	x5	I	x2	J	x2	K	x1	L	x2
											
						4x14mm				3.5x12mm	
M	x1	N	x2	O	x6	P	x36 +3(spare)	Q	x1	R	x34
											
		6x30mm				4x12mm					
S	x34	T	x2	U	x2	V	x8	CL	x3	CR	x3
											
3x16mm								L300mm		L300mm	
DL	x3	DR	x3								
											
L300mm		L300mm									

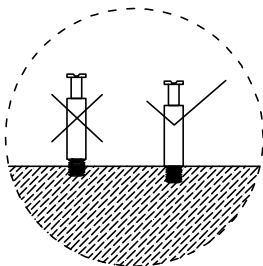
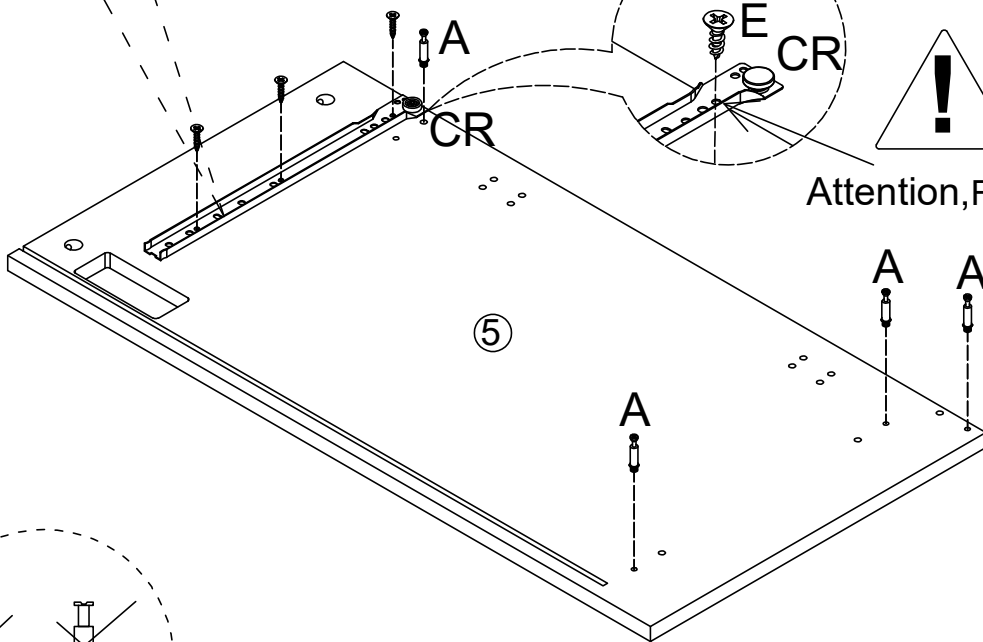
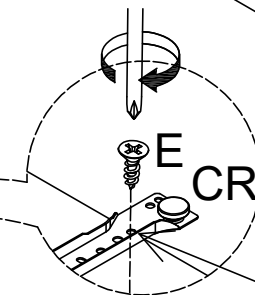
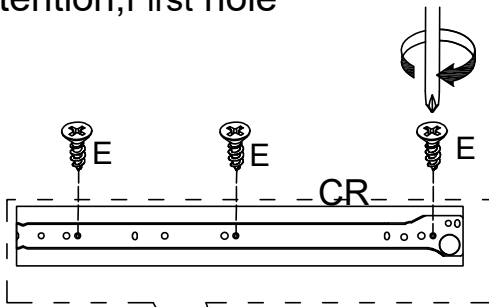
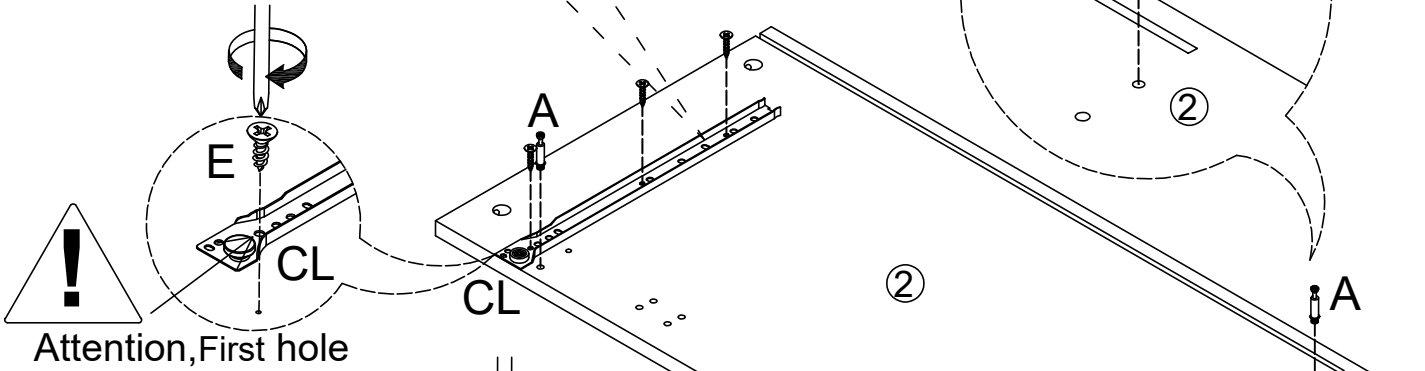
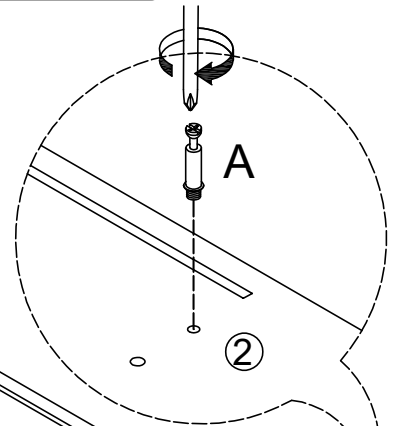
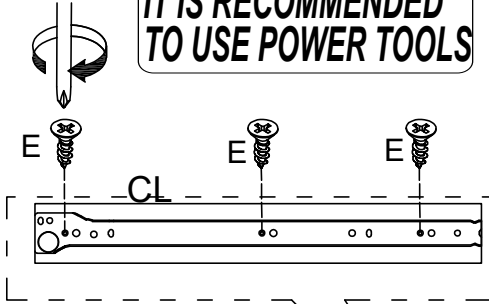
1



IT IS RECOMMENDED
TO USE POWER TOOLS



TWO PEOPLE
INSTALL TOGETHER



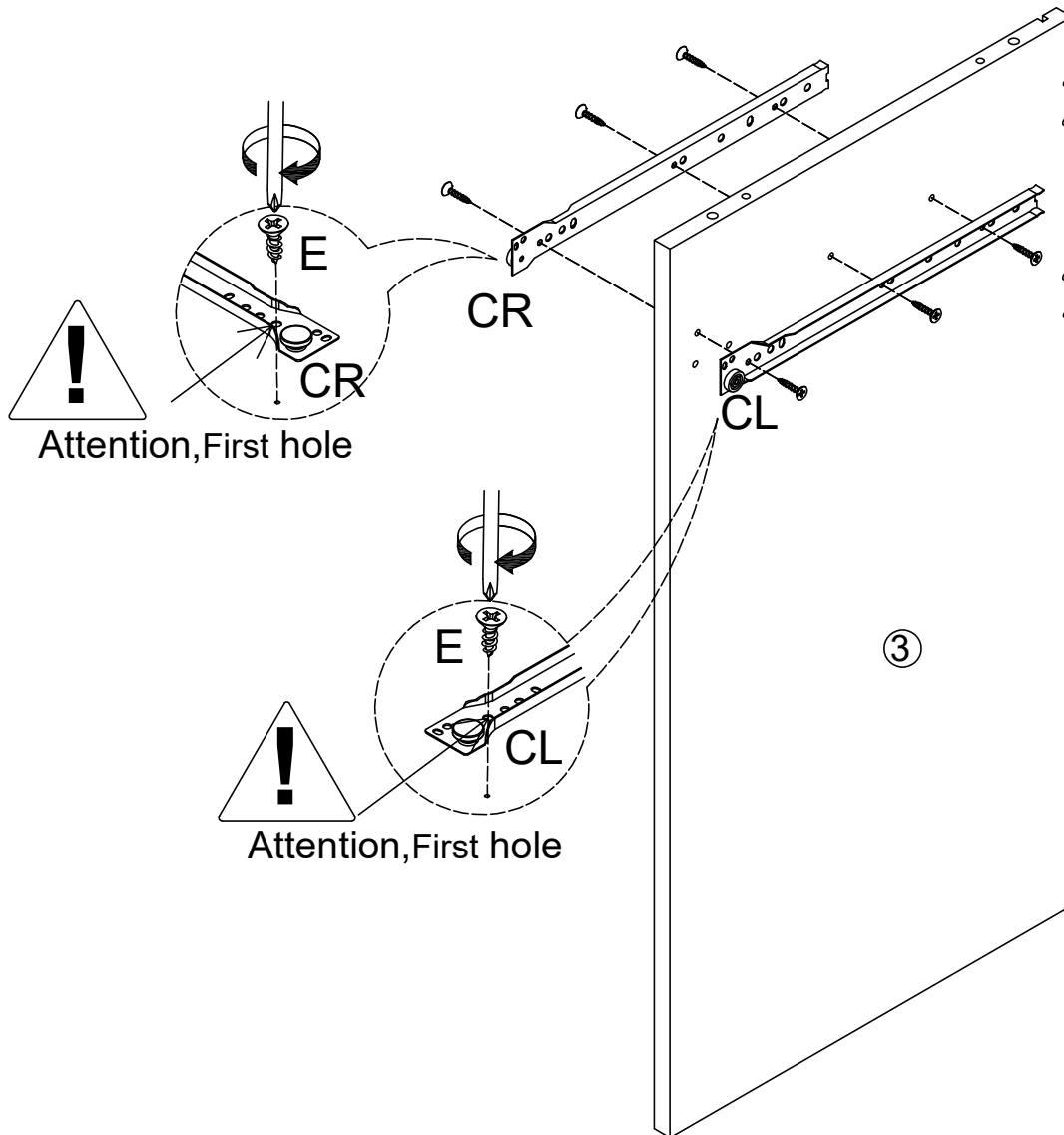
Q	x1


A	x8
6x35mm	


E	x6
3.5x12mm	


CL	x1
L300mm	


CR	x1
L300mm	



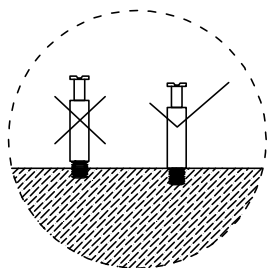
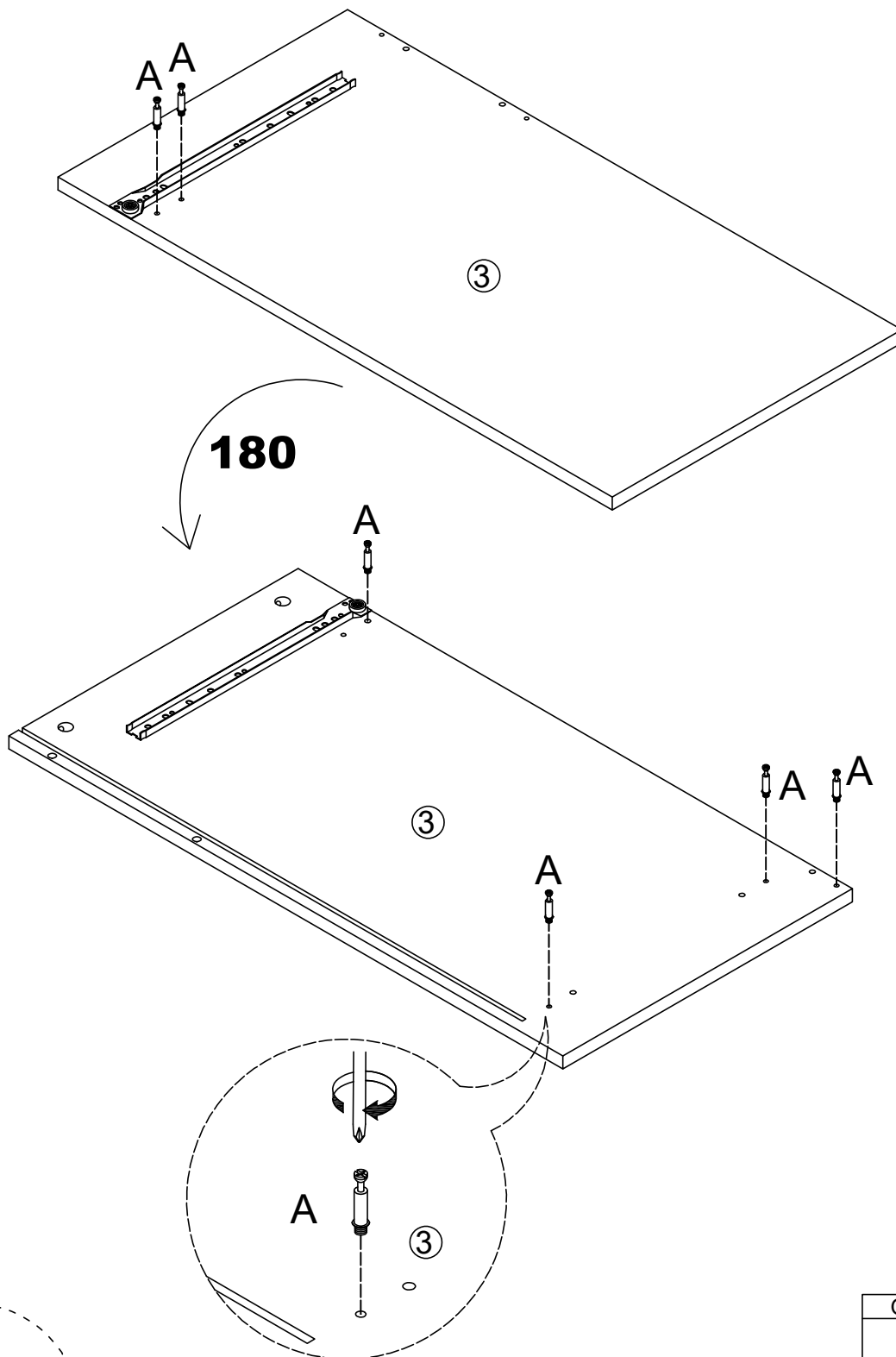
Q	x1
	

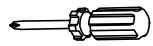
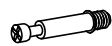
E	x6
	
3.5x12mm	

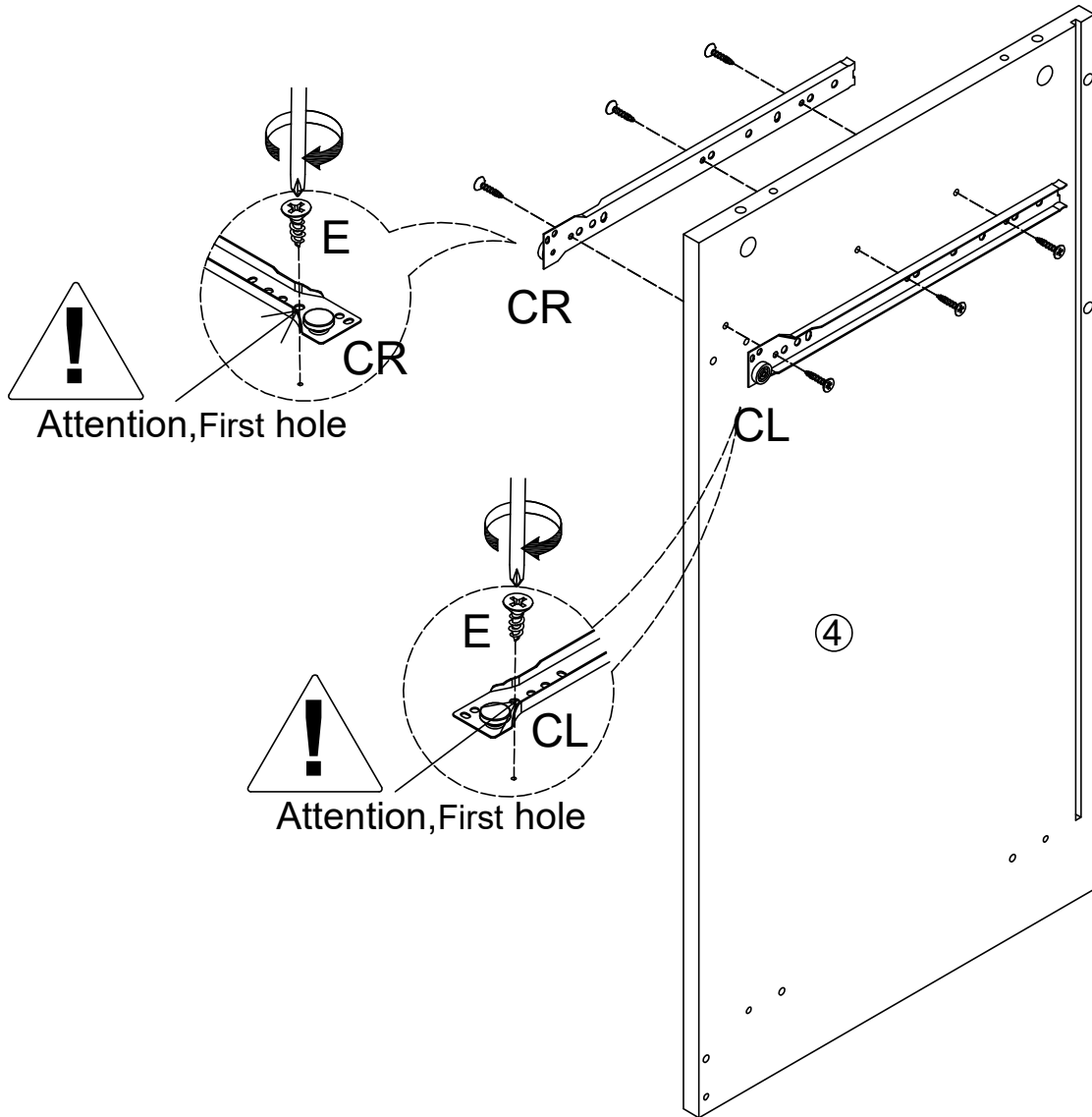
CL	x1
	
L300mm	

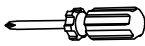
CR	x1
	
L300mm	


3





Q	x1
	
A	x6
	
6x35mm	



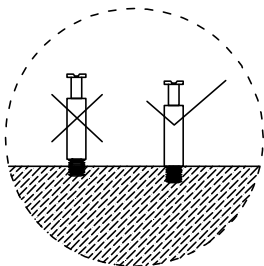
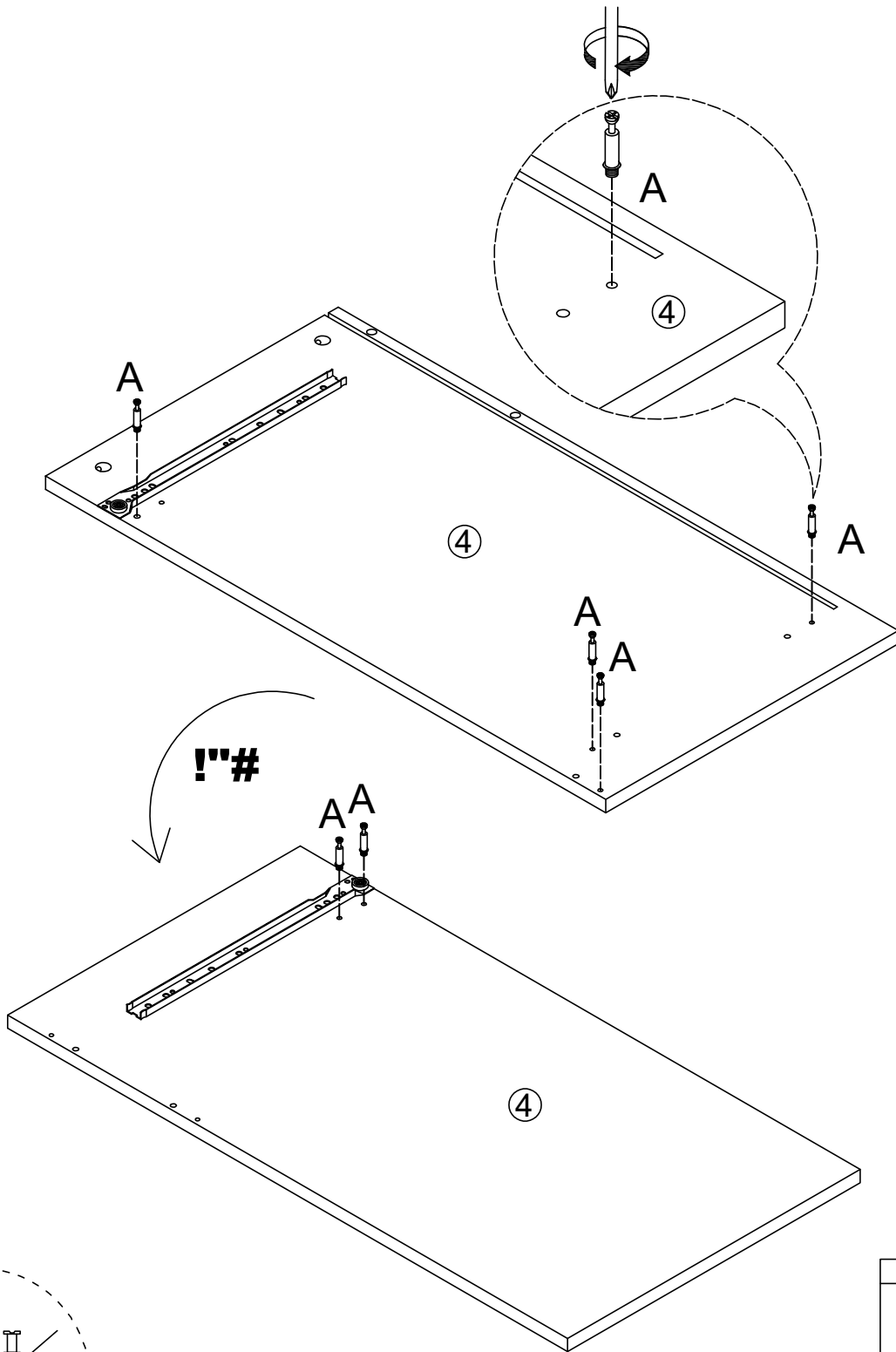
Q	x1
	

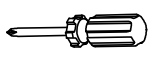
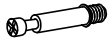
E	x6
	
3.5x12mm	

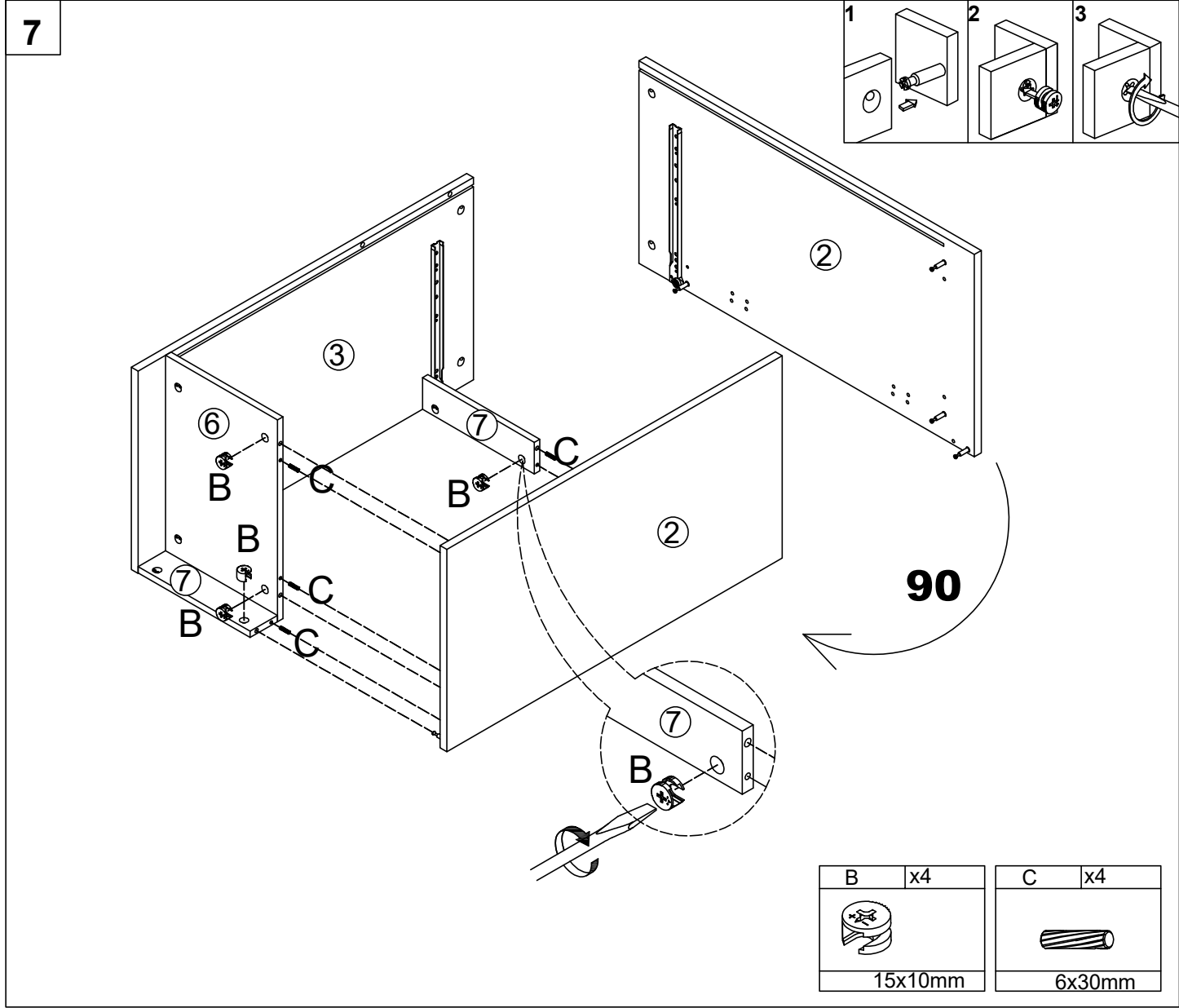
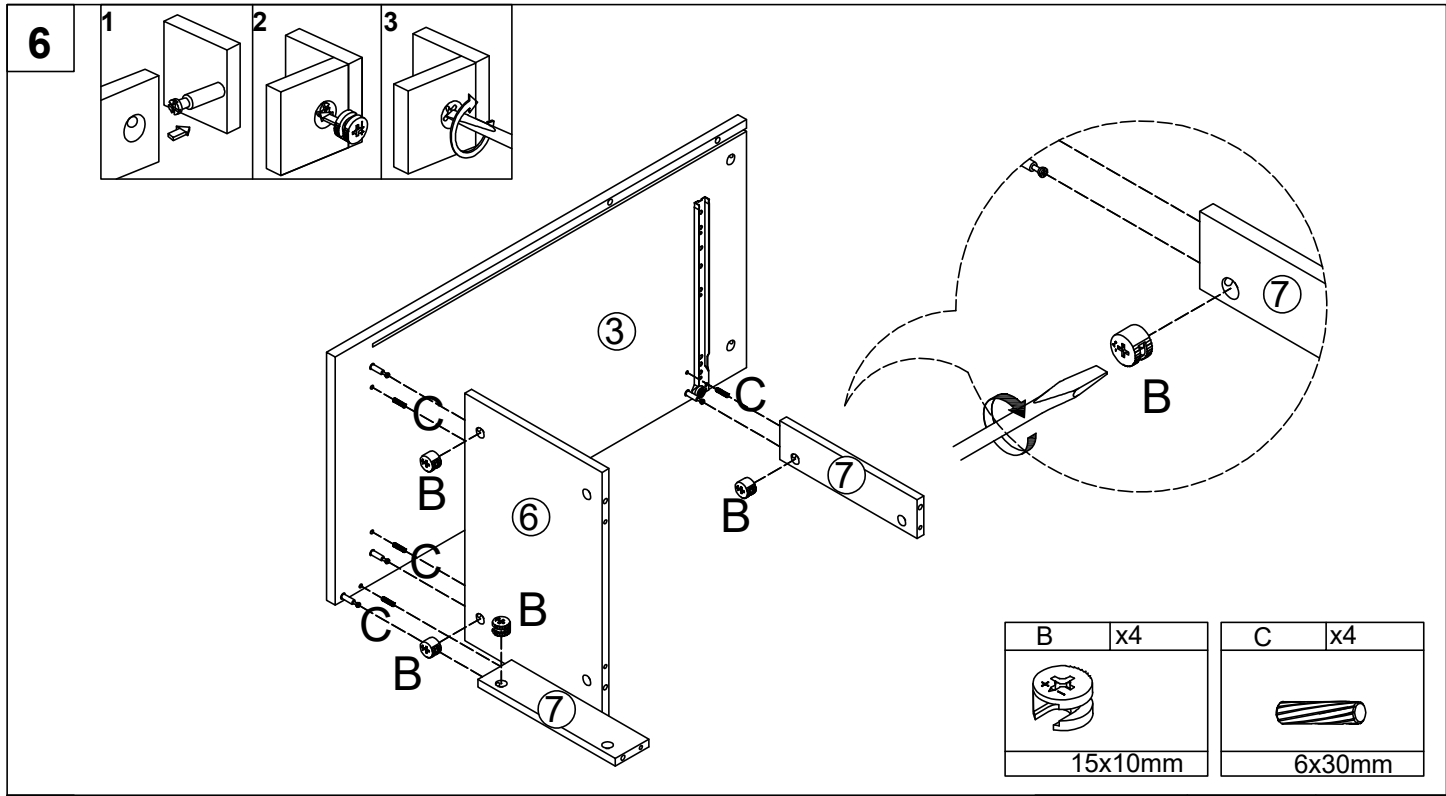
CL	x1
	
L300mm	

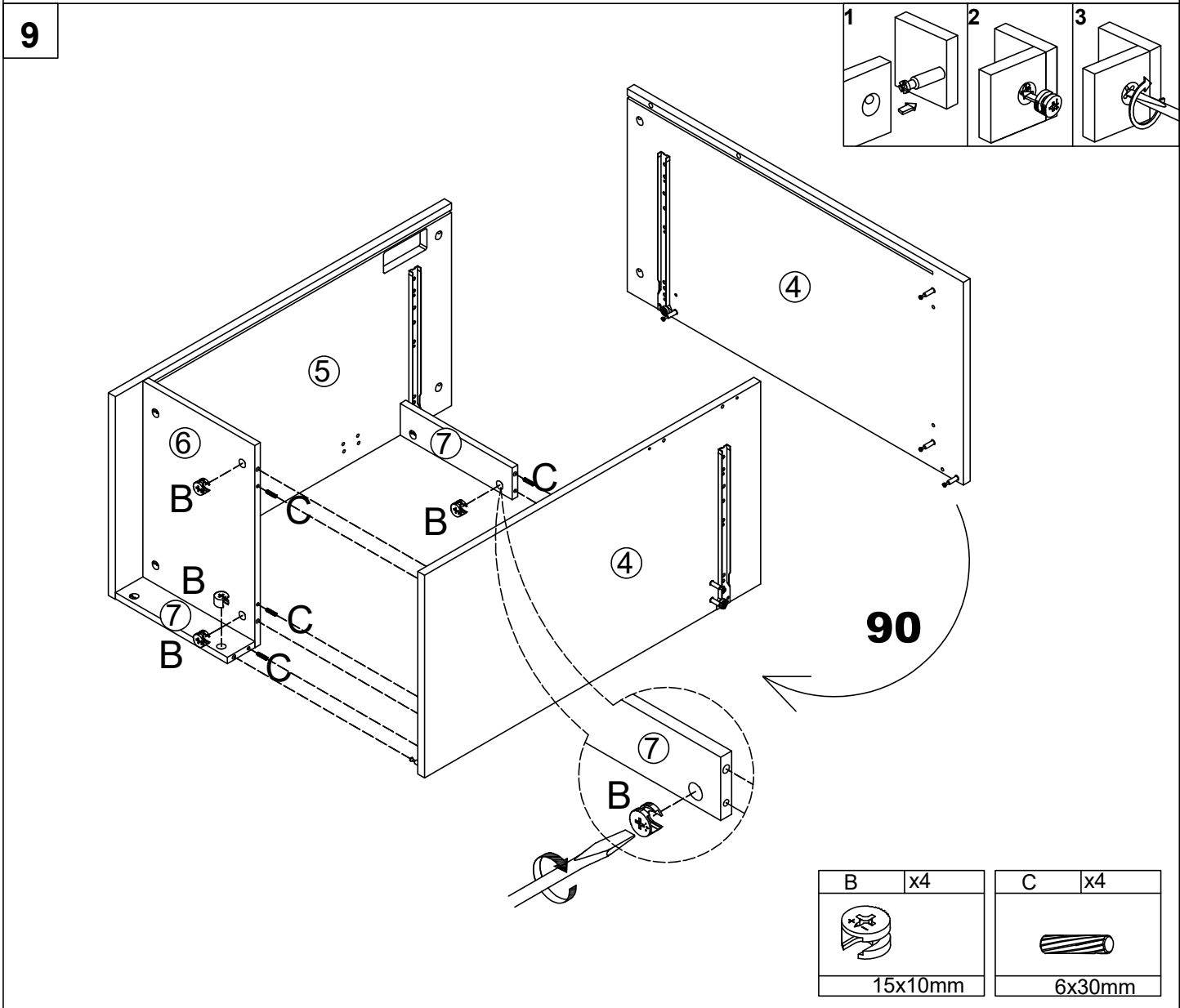
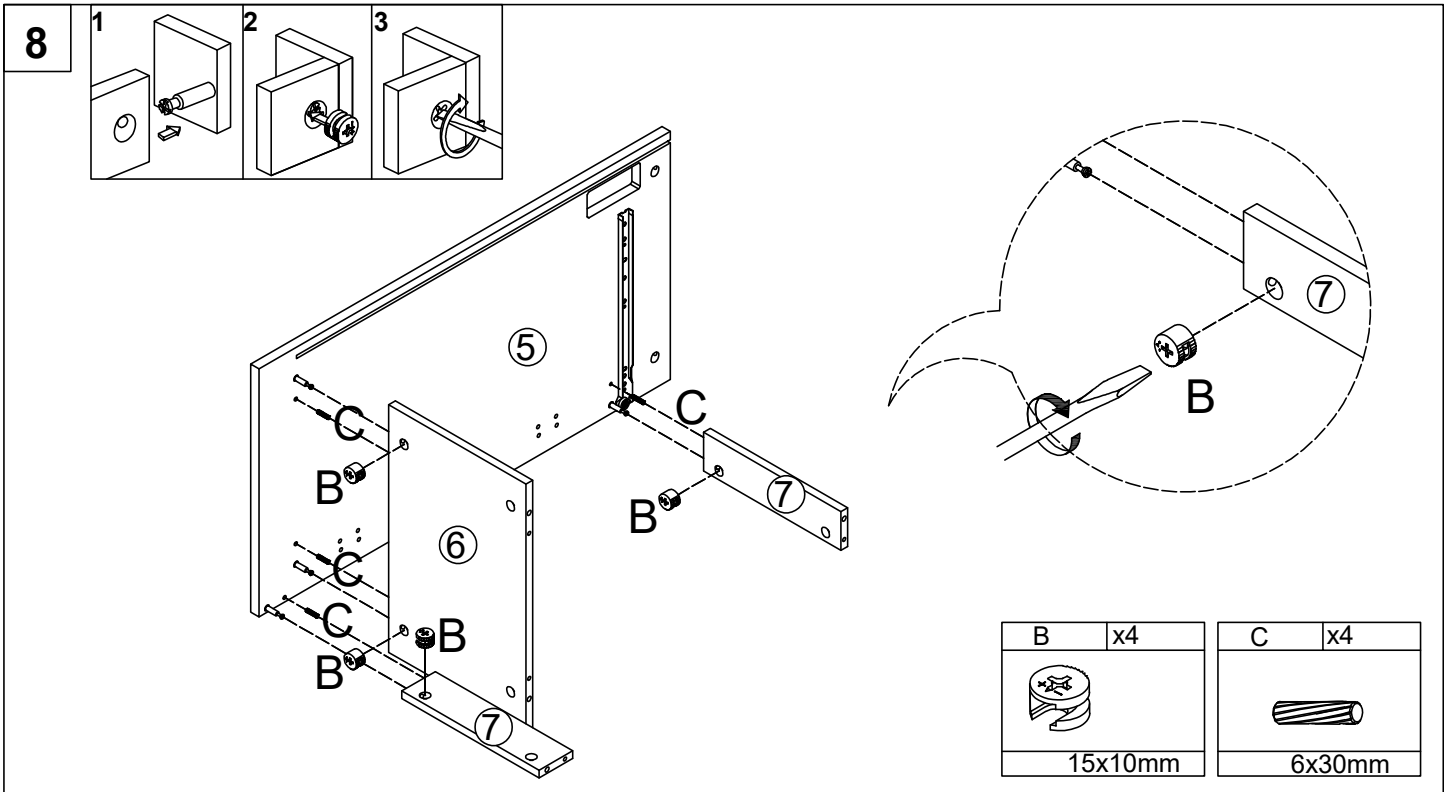
CR	x1
	
L300mm	

5

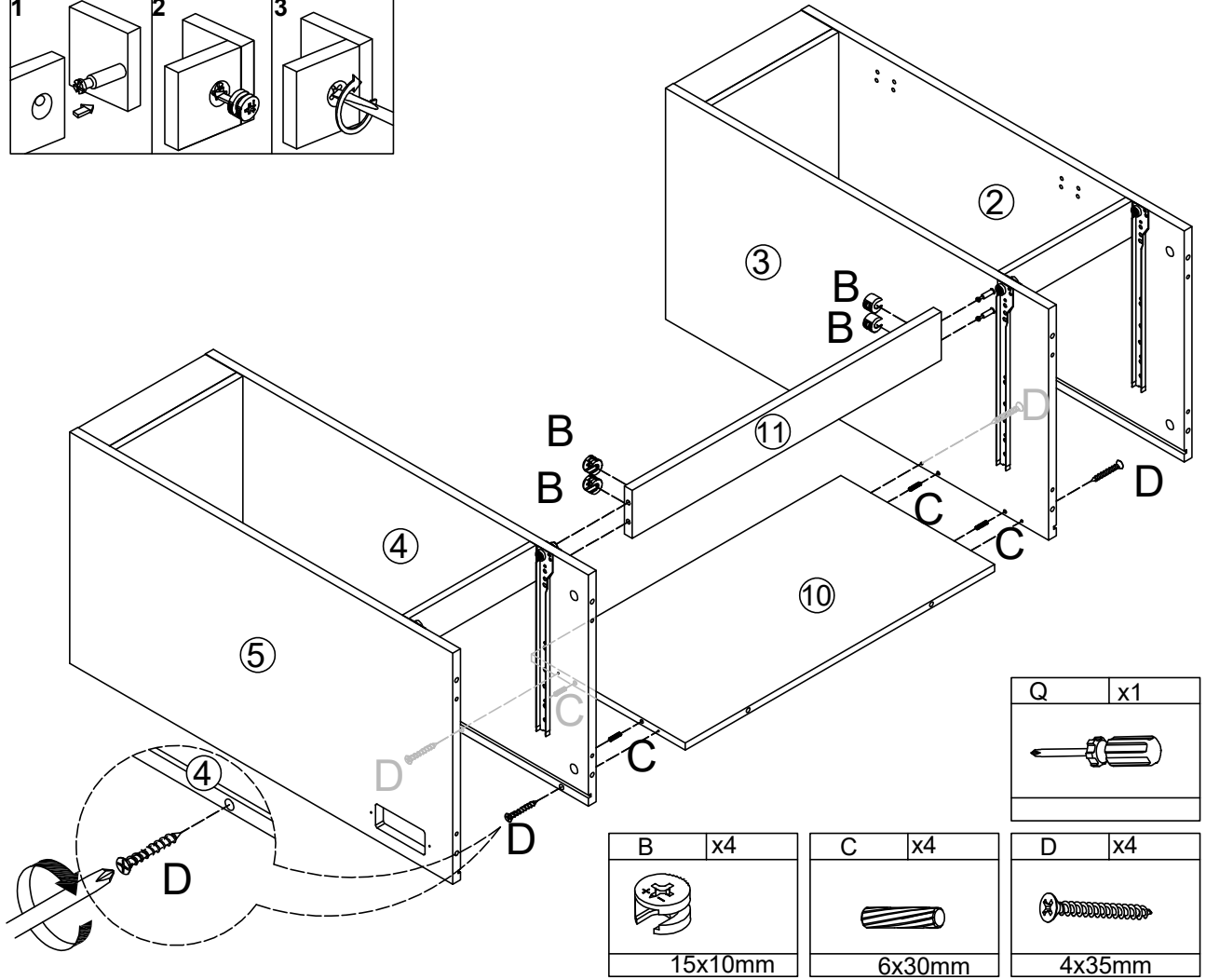
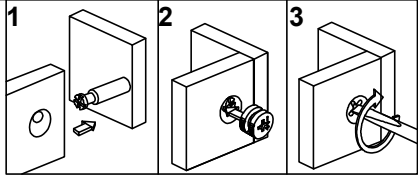


Q	x1
	
A	x6
	
6x35mm	

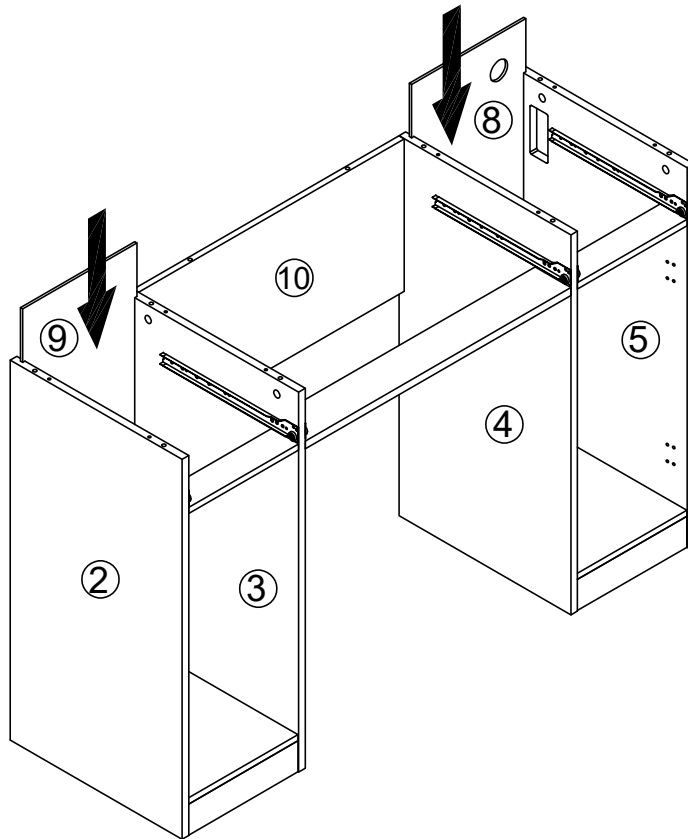




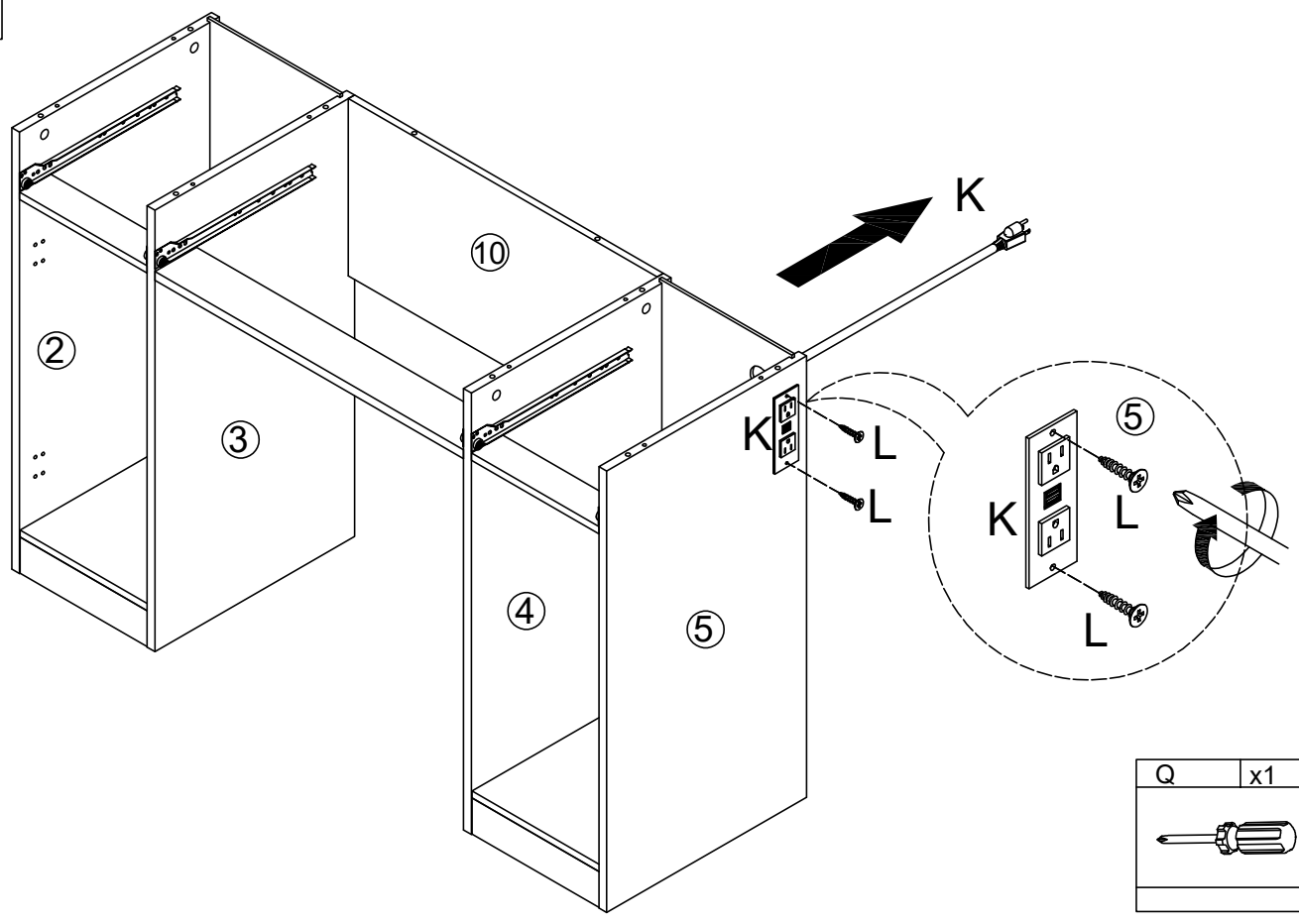
10



11

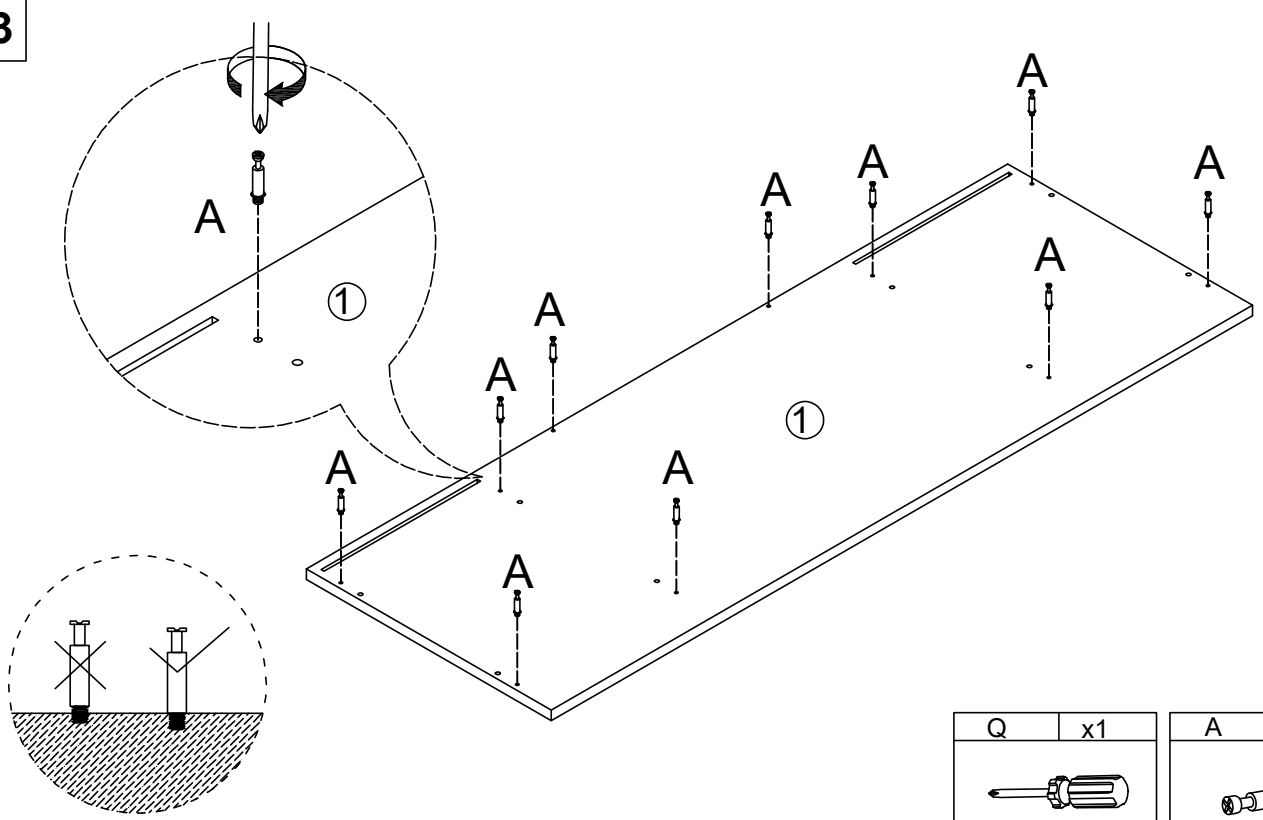


12

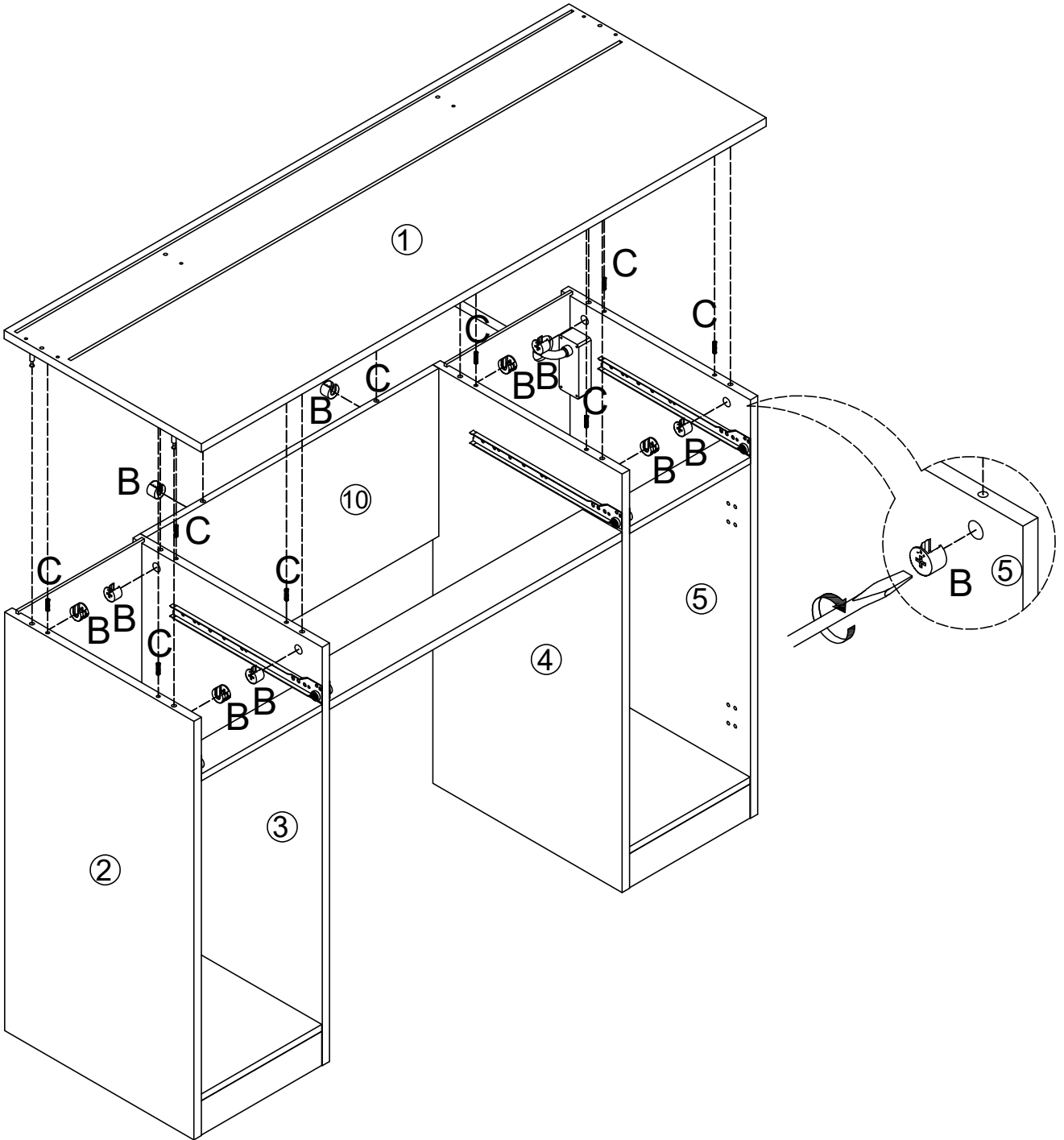
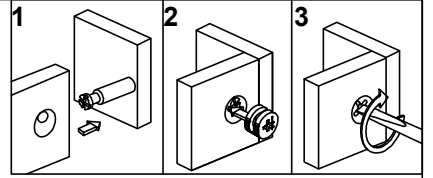


Q	x1
K	x1
L	x2
3.5x12mm	

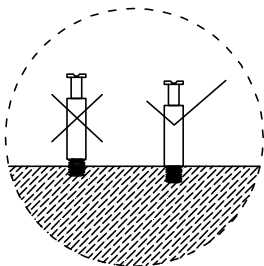
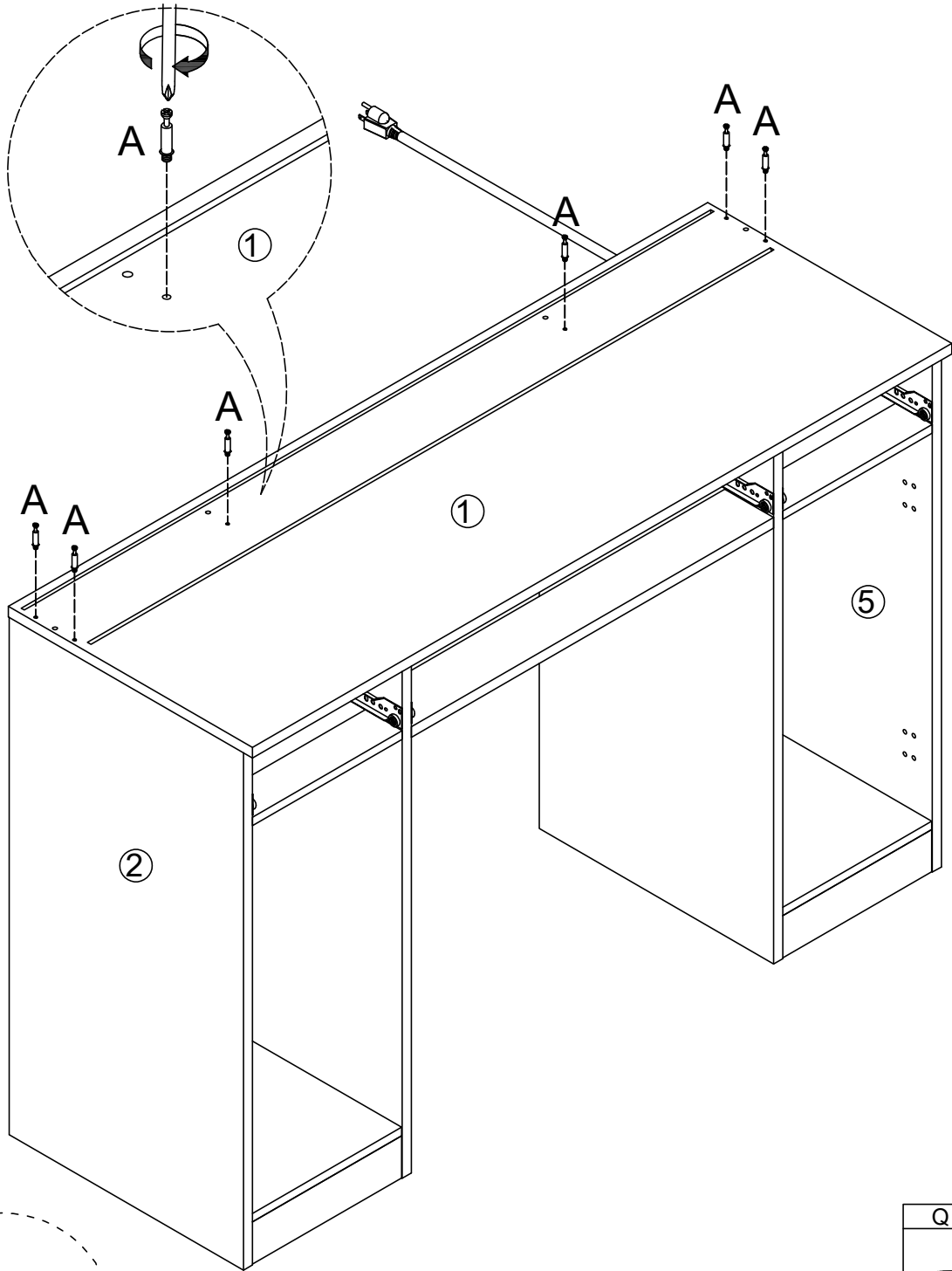
13

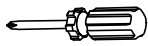
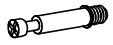


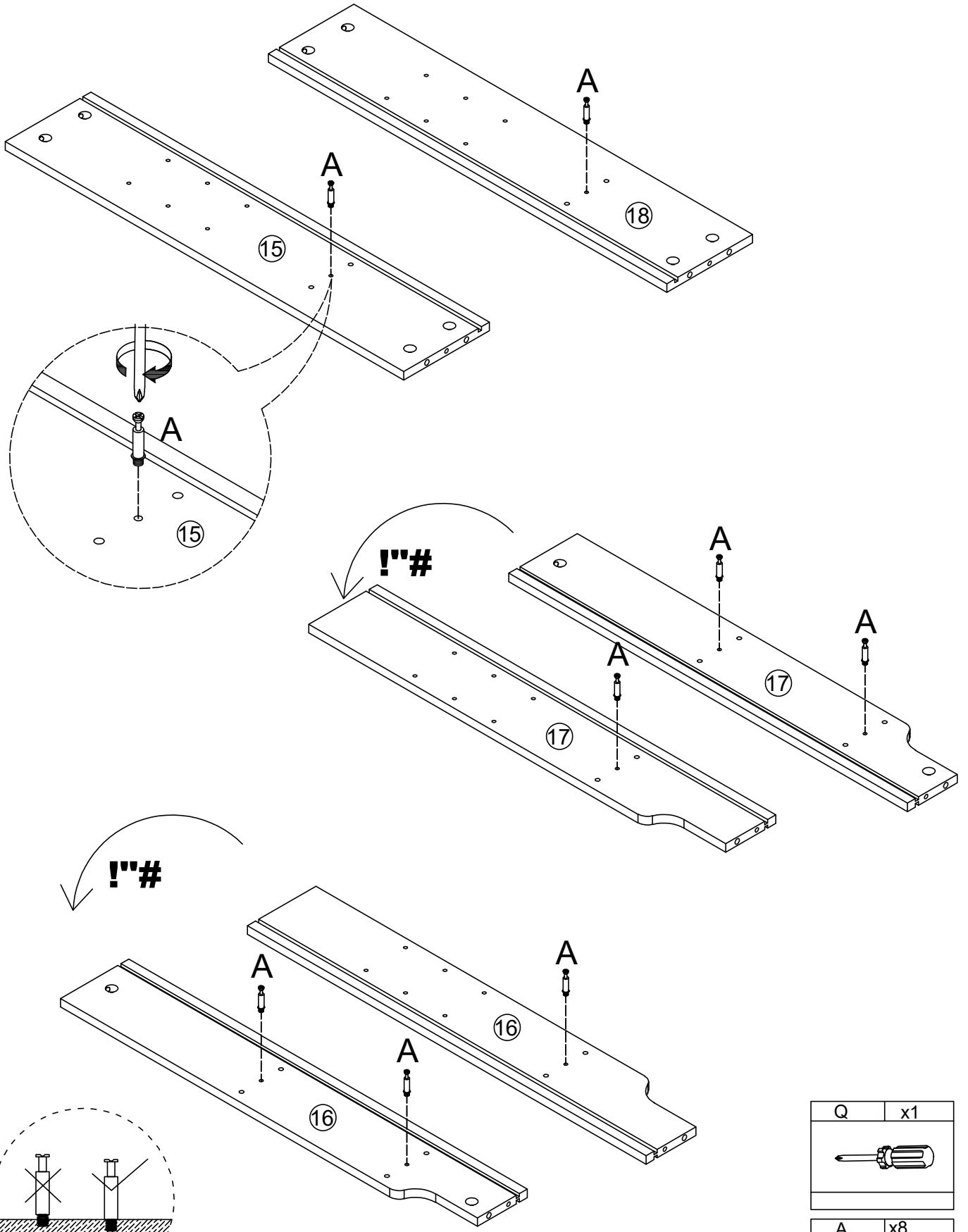
Q	x1
A	x10
6x35mm	





B	x10	C	x8
15x10mm		6x30mm	

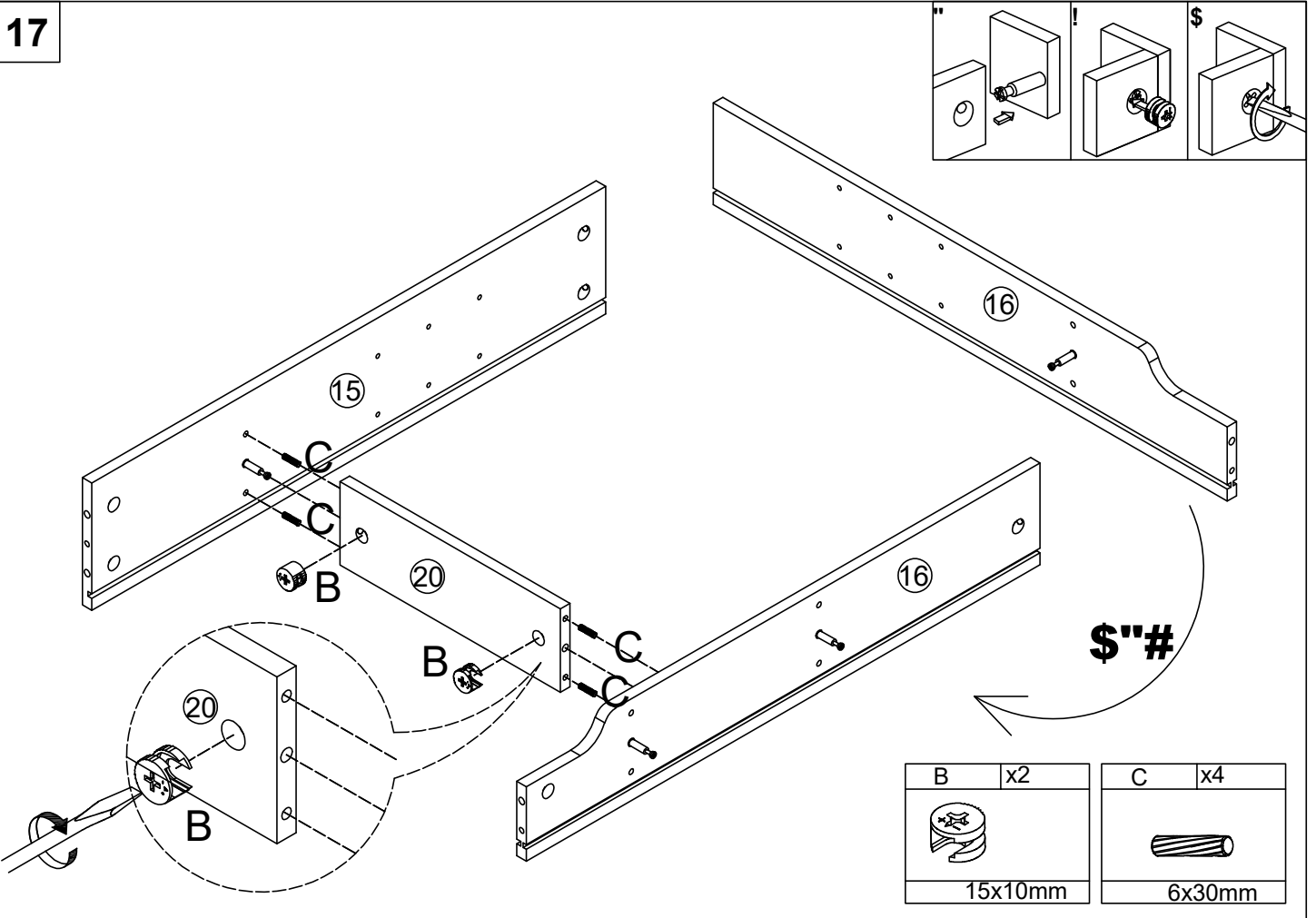


Q	x1
	
A	x6
	
6x35mm	

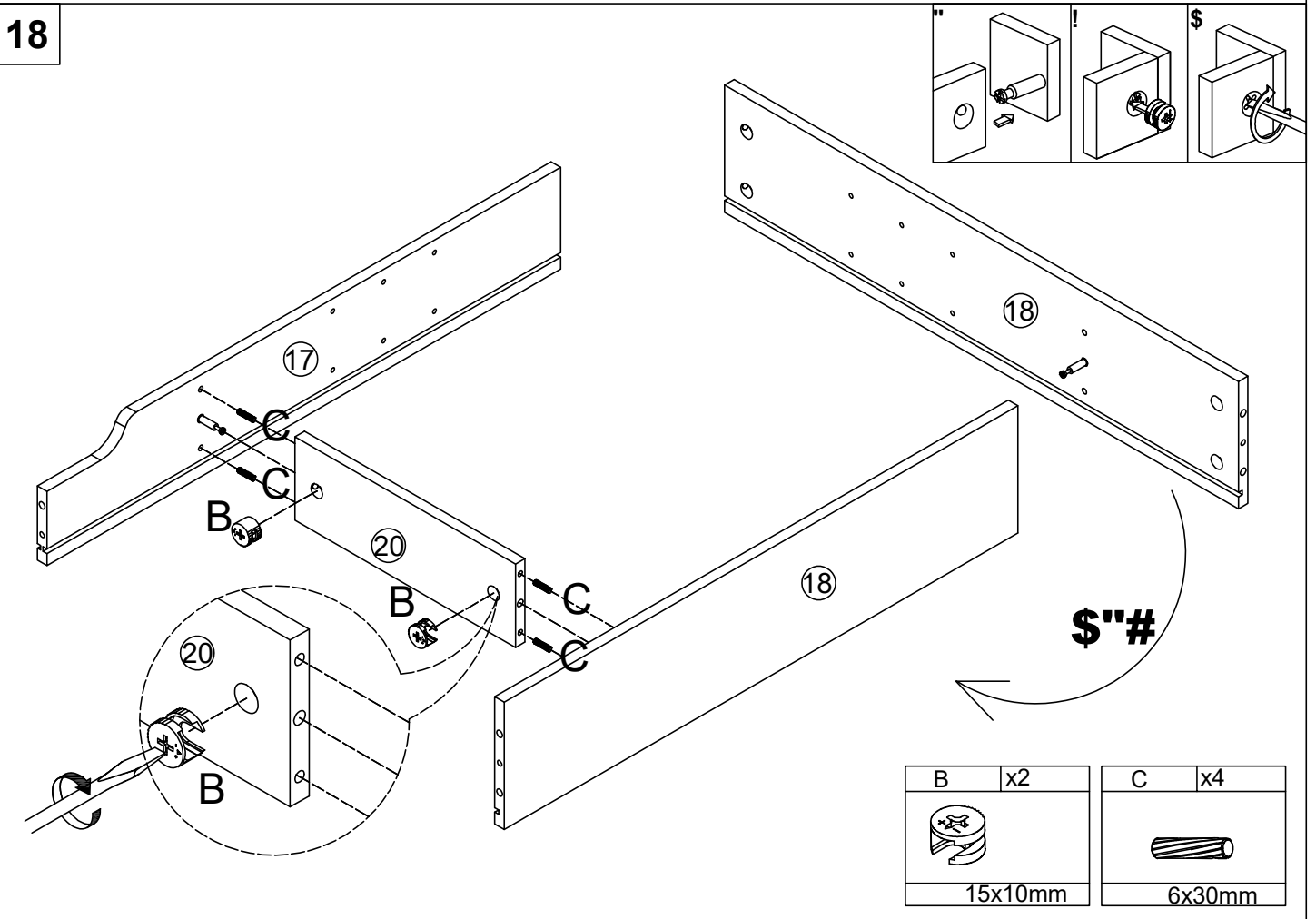


Q	x1
	
A	x8
	
6x35mm	

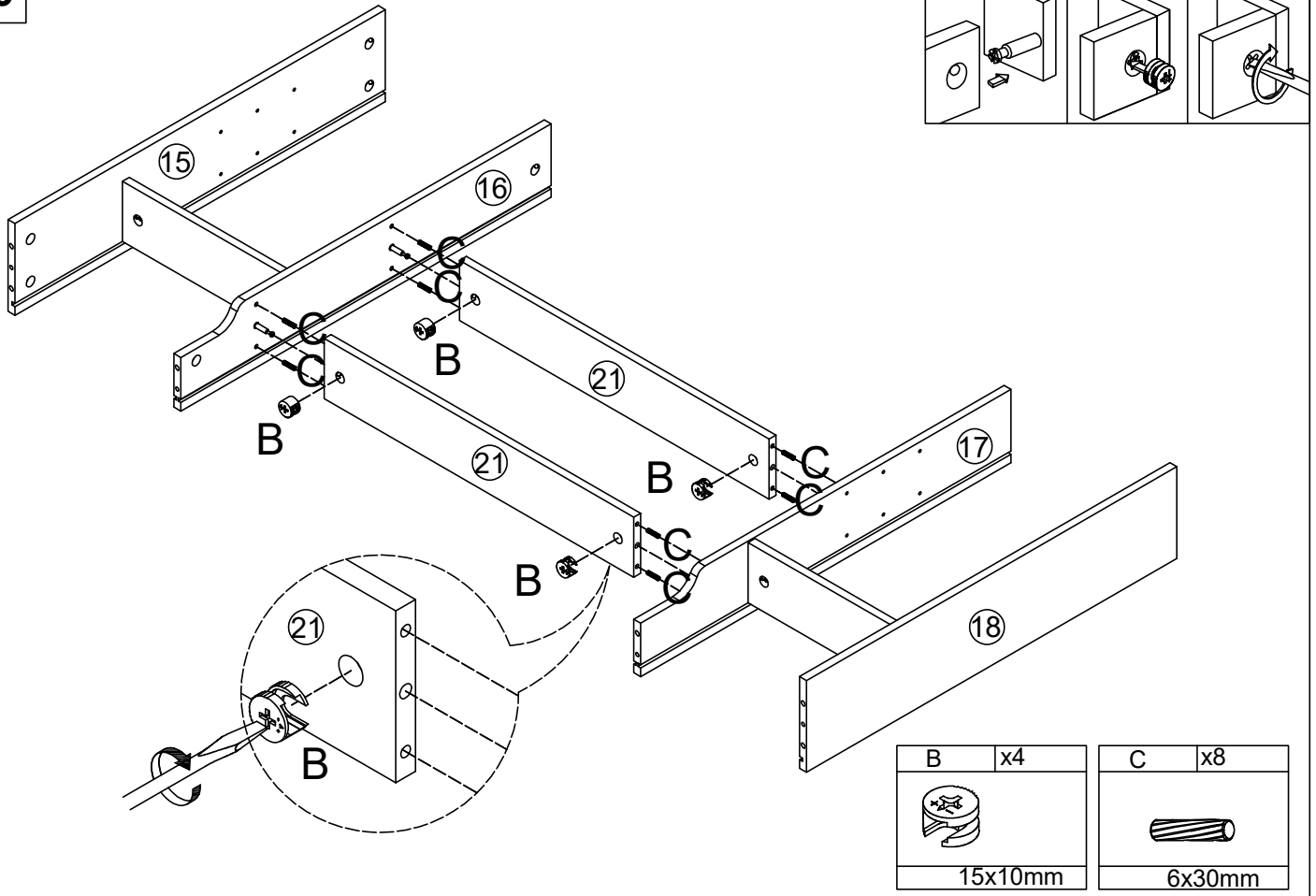
17



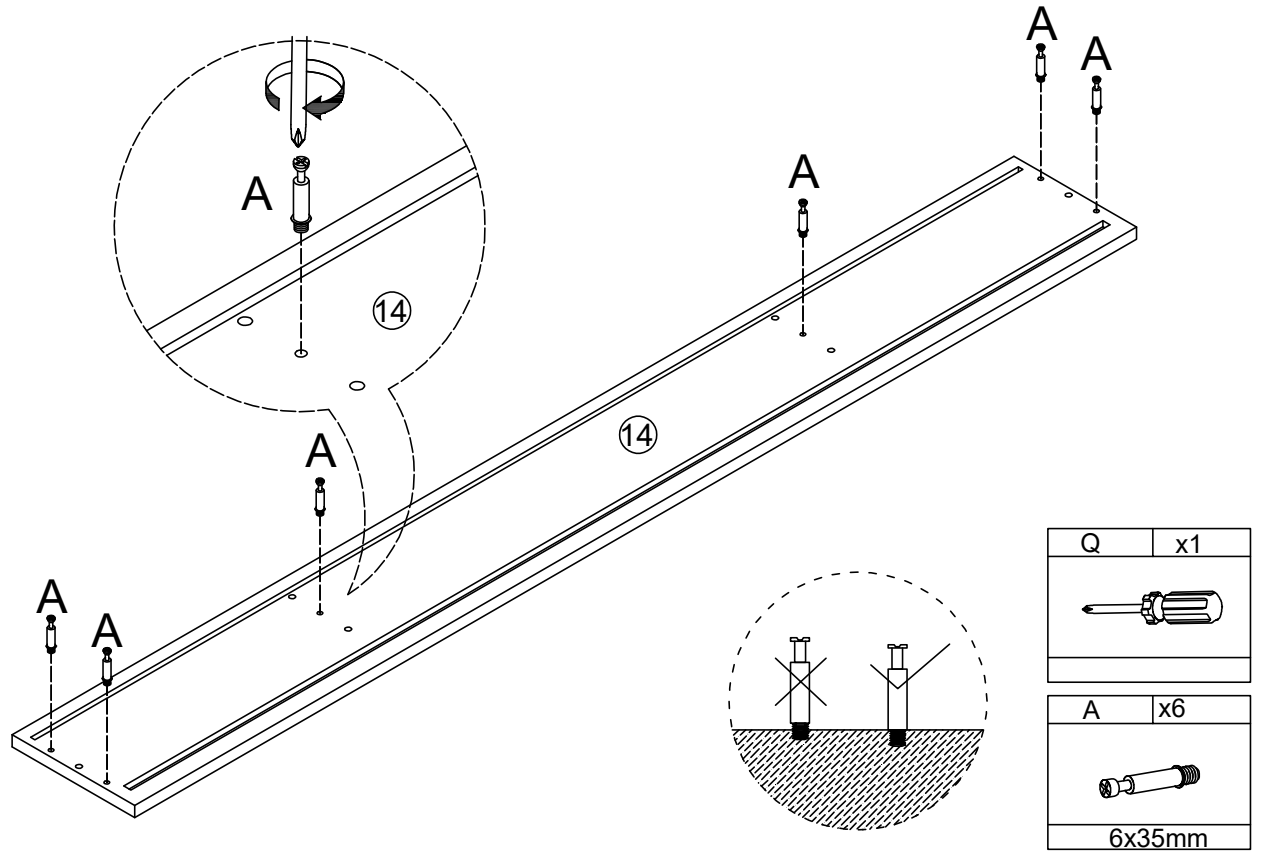
18

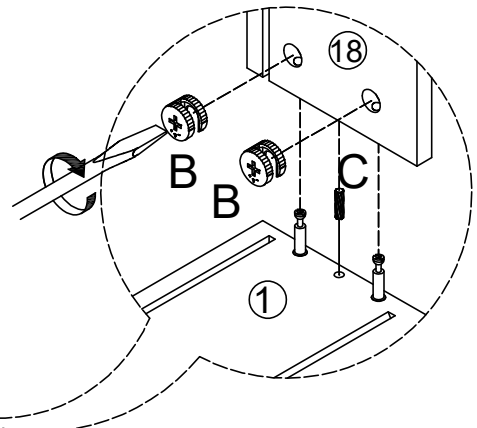
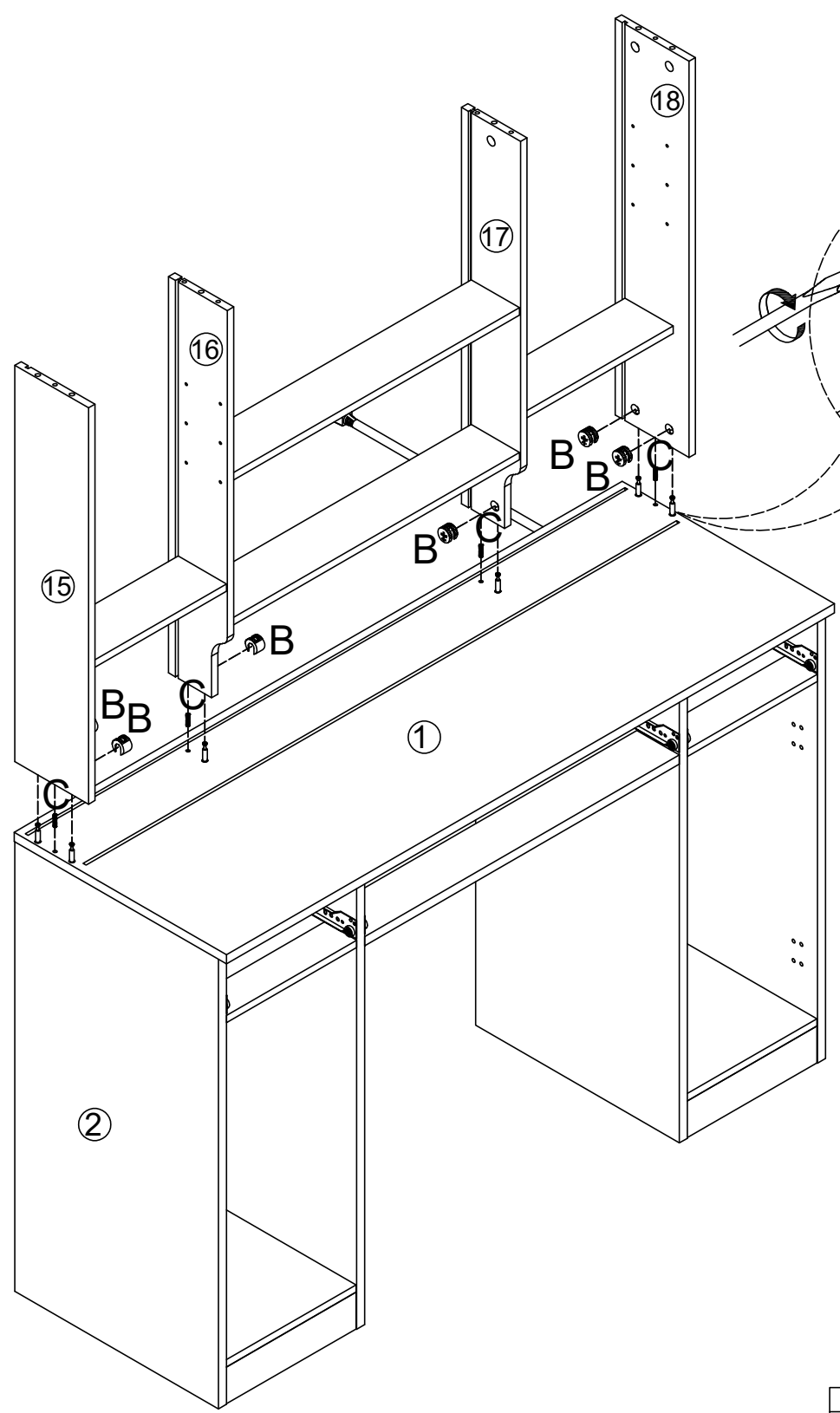
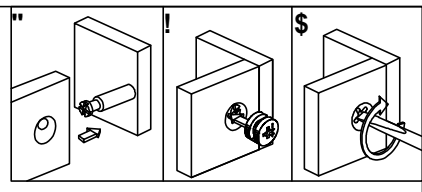




19

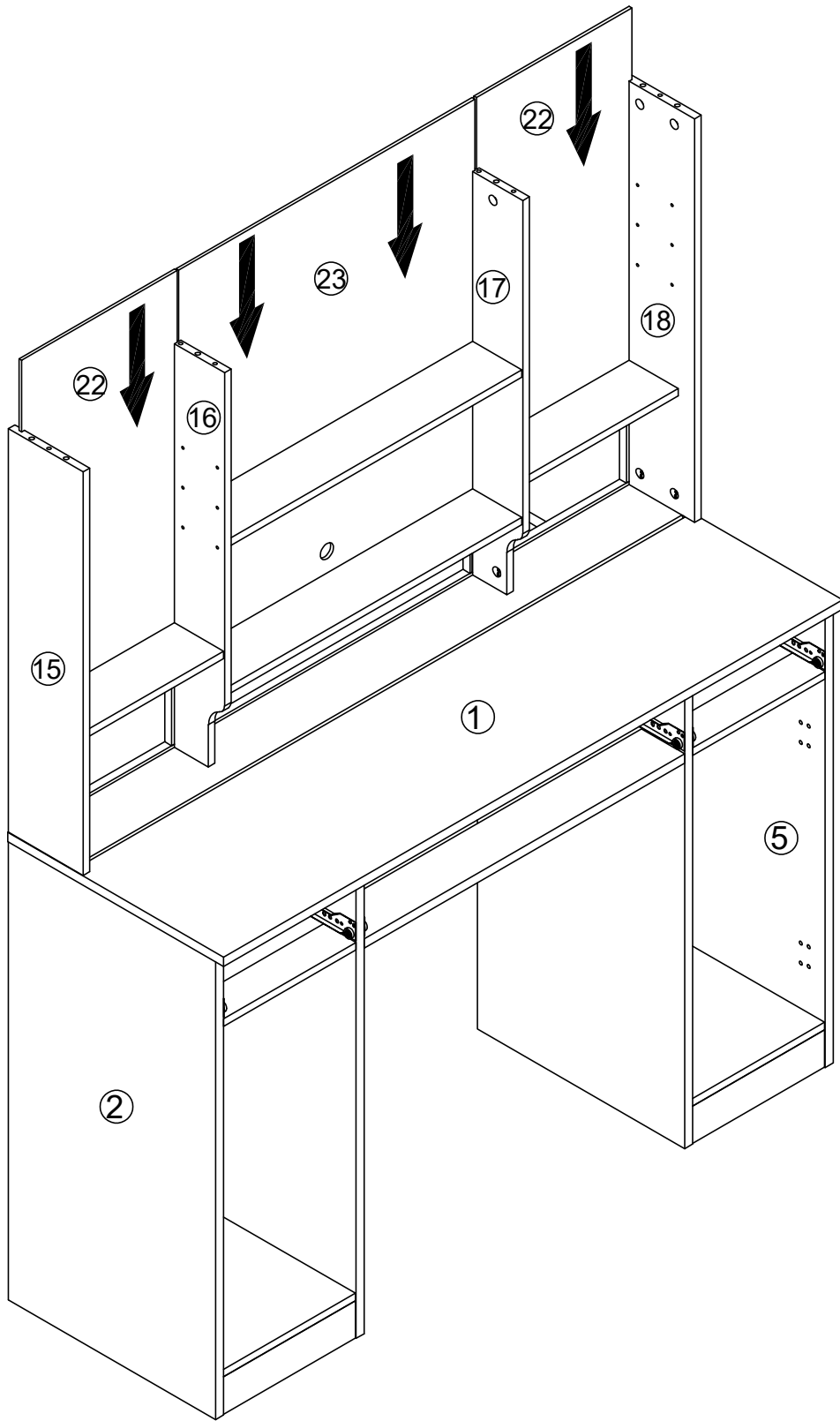


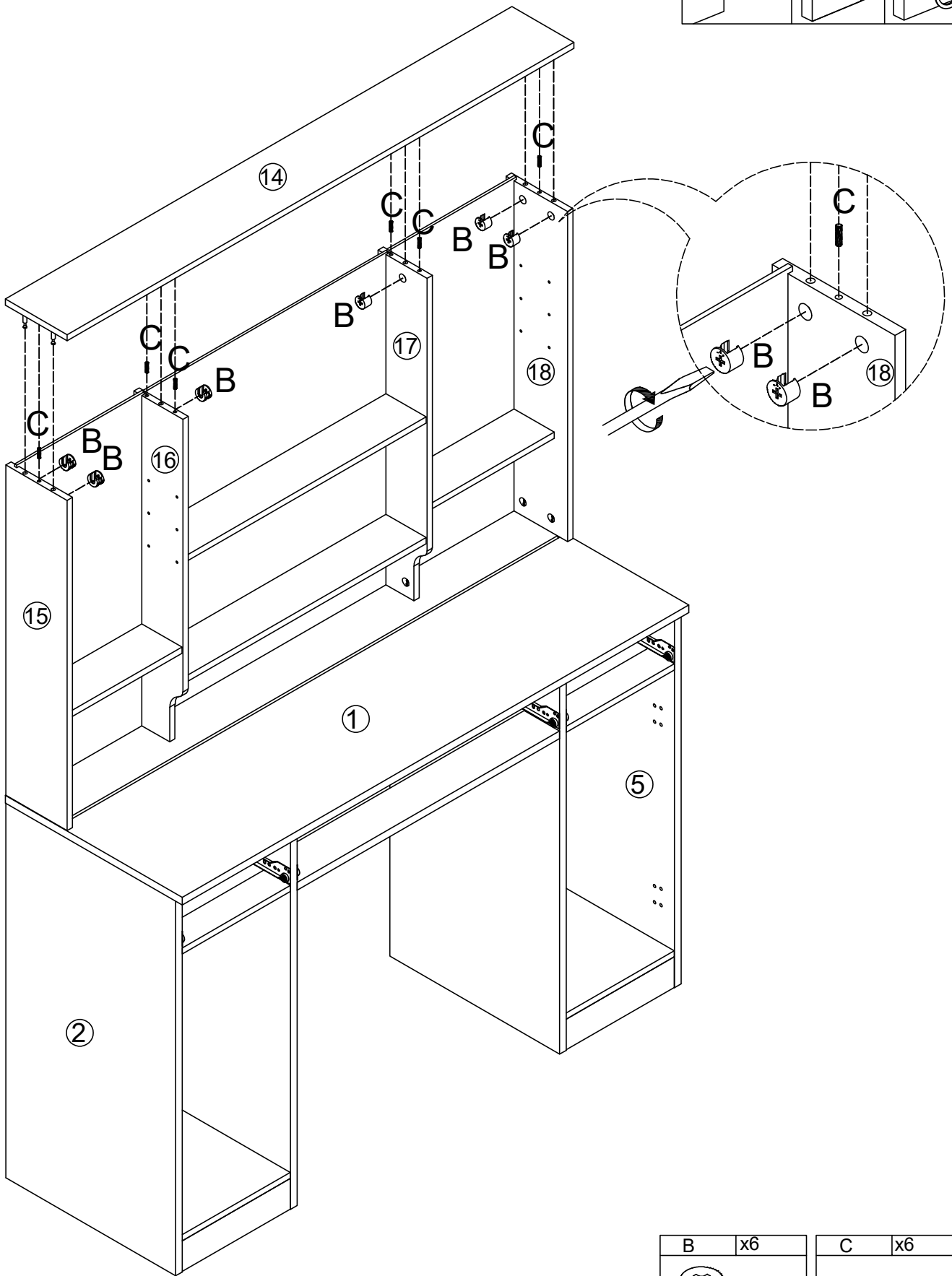
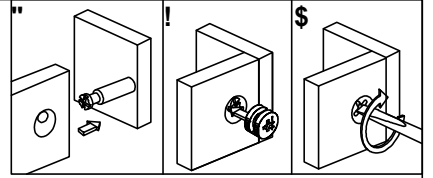
20





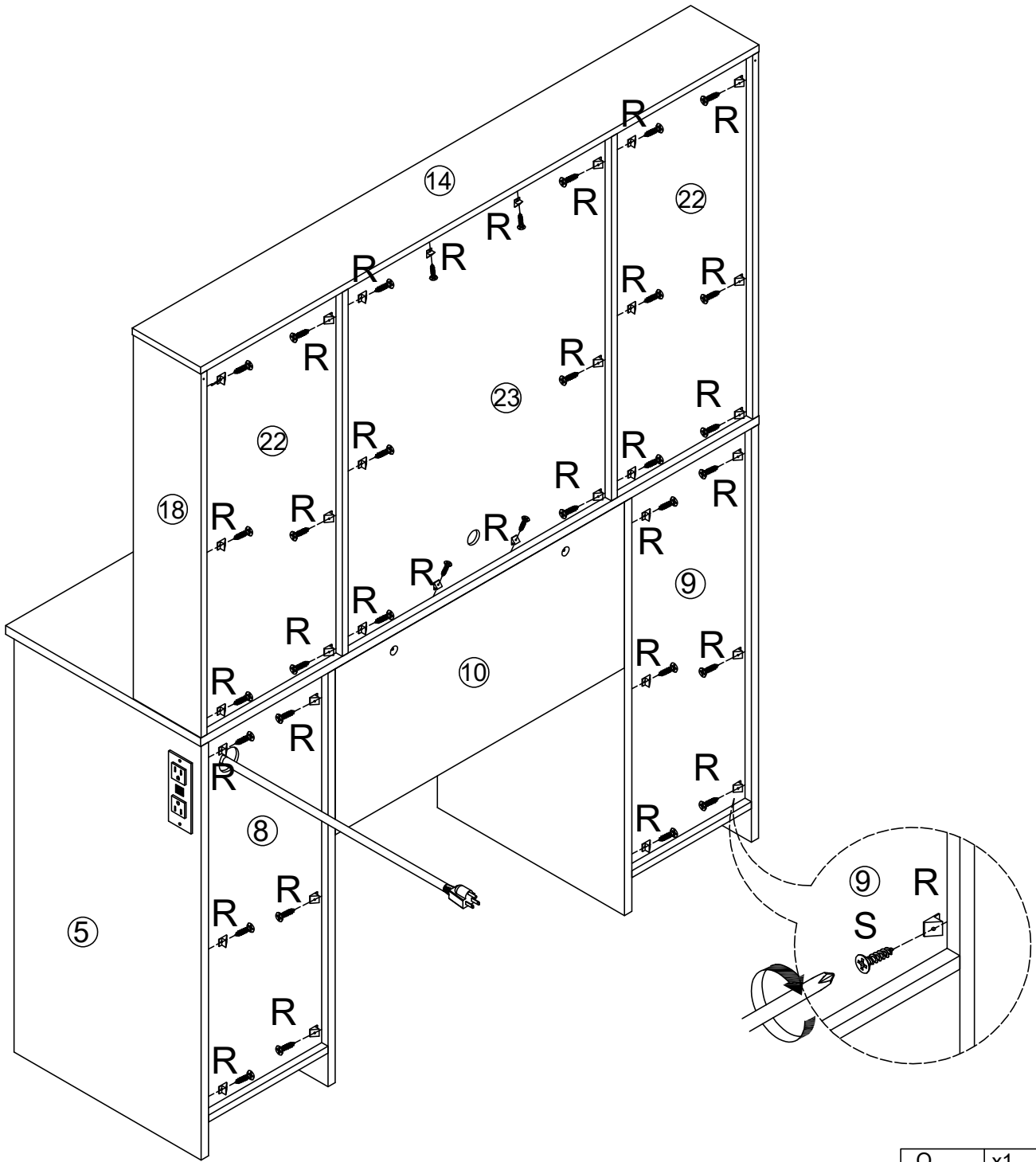


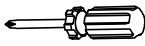
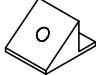

B	x6	C	x4
			
15x10mm		6x30mm	

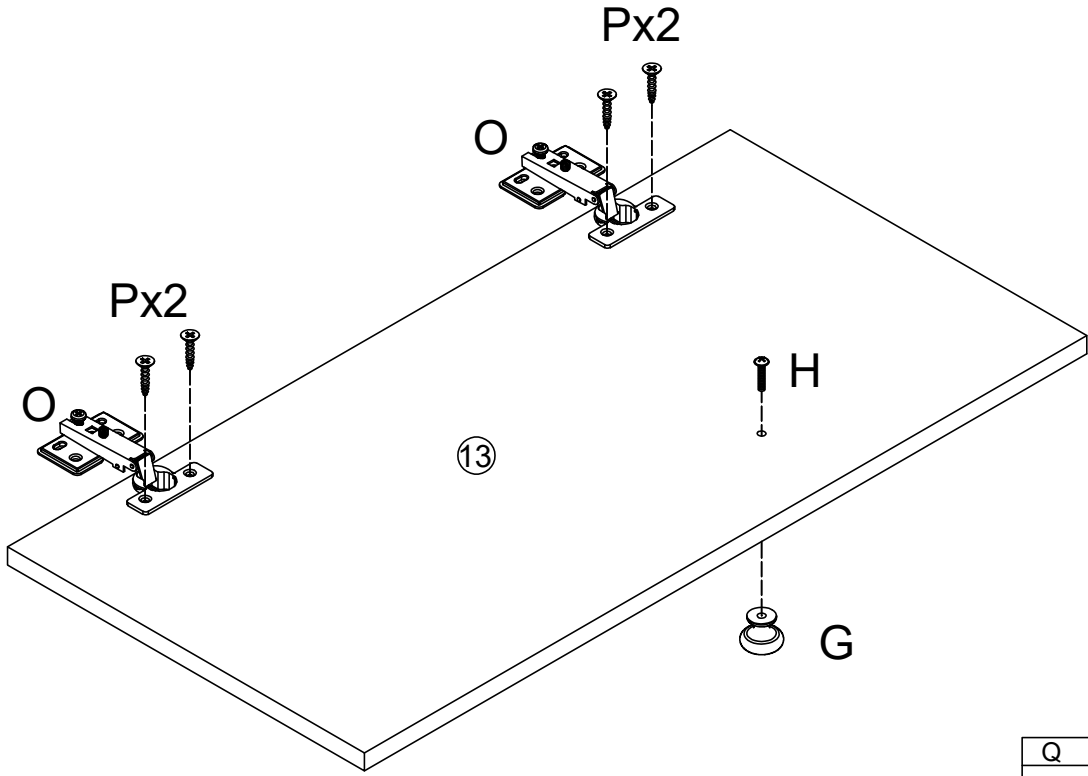
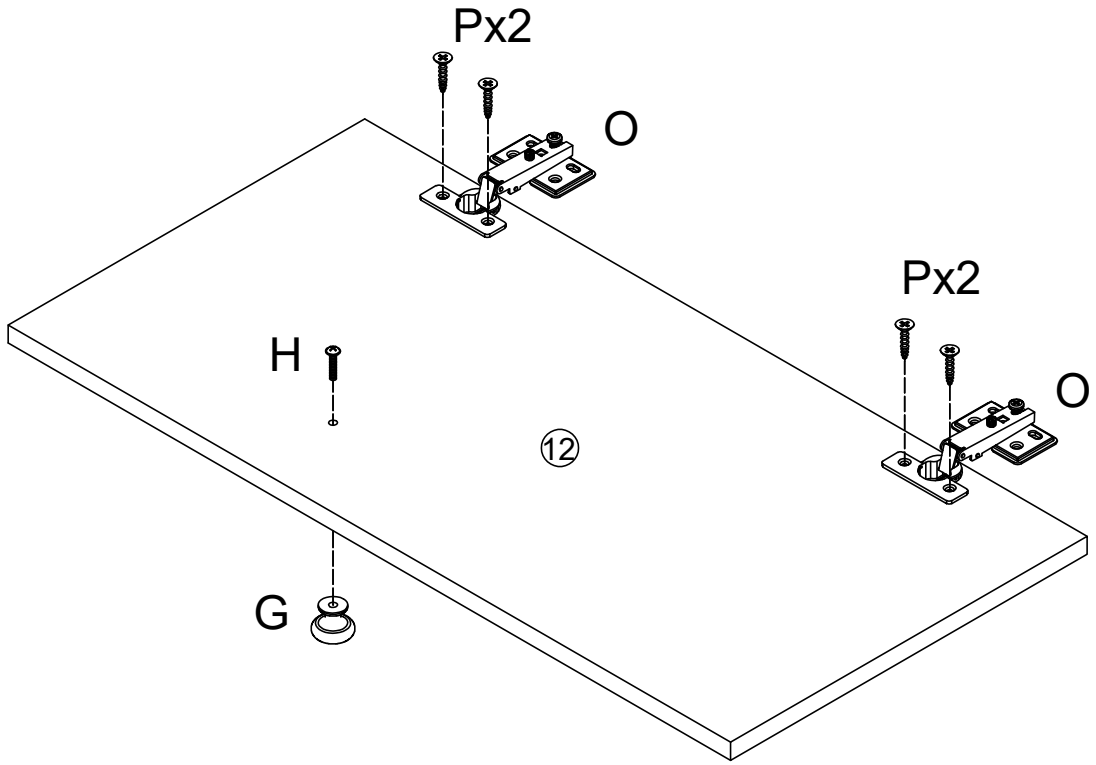






B	x6	C	x6
			
15x10mm		6x30mm	





Q	x1
	
R	x34
	
S	x34
	
3x16mm	




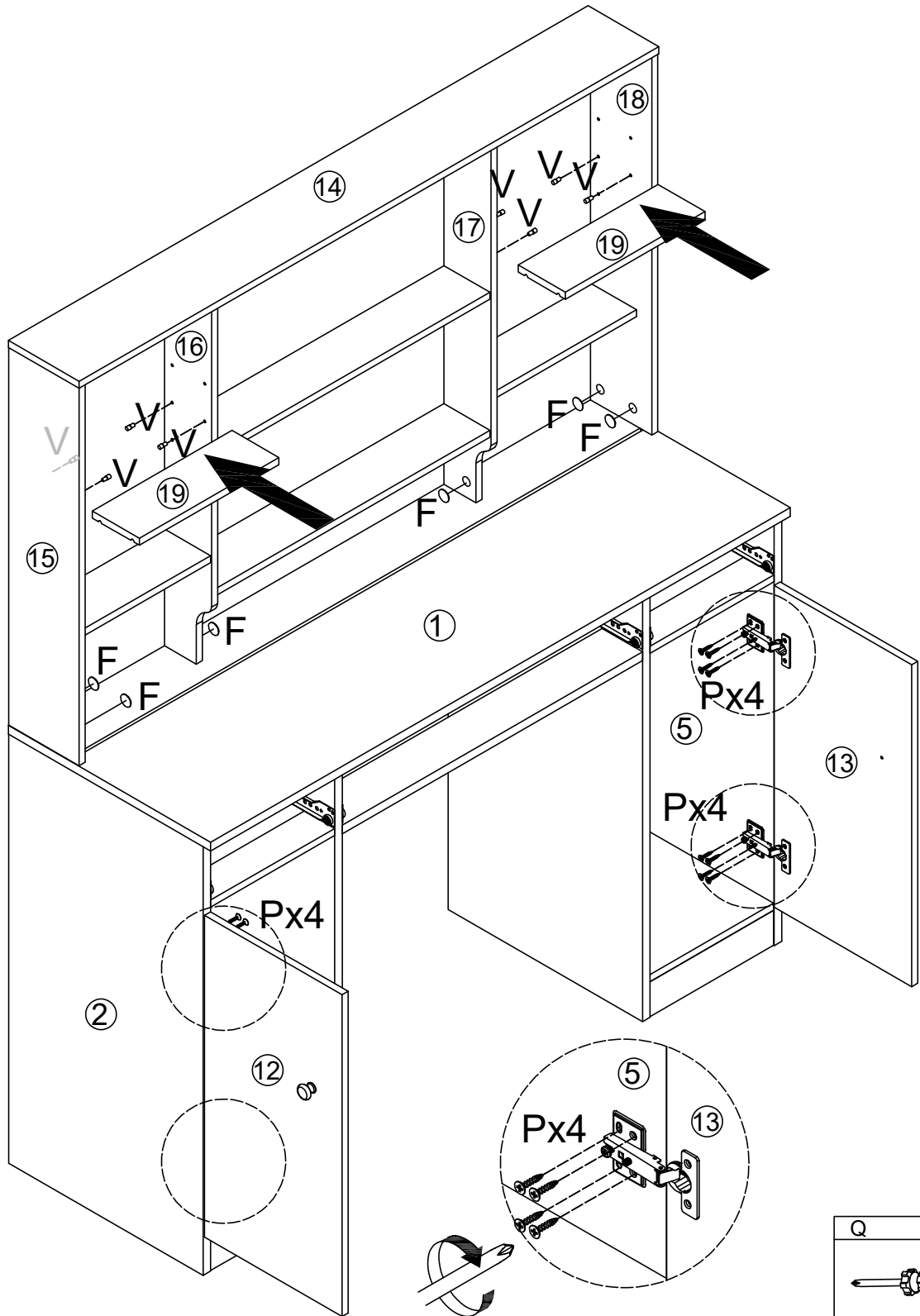
G	x2
	


H	x2
	


O	x4
	

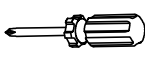
P	x8
	
4x12mm	


Q	x1
	

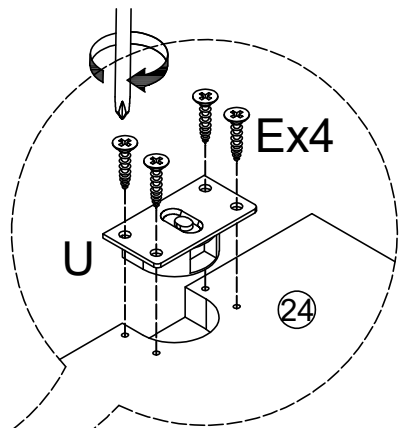
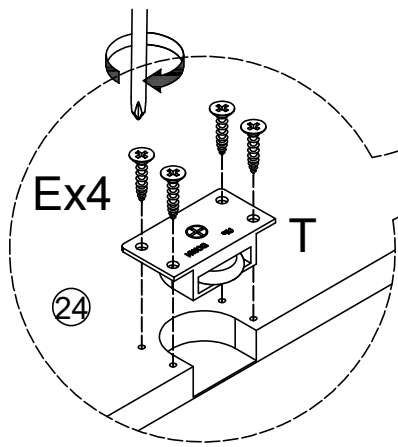
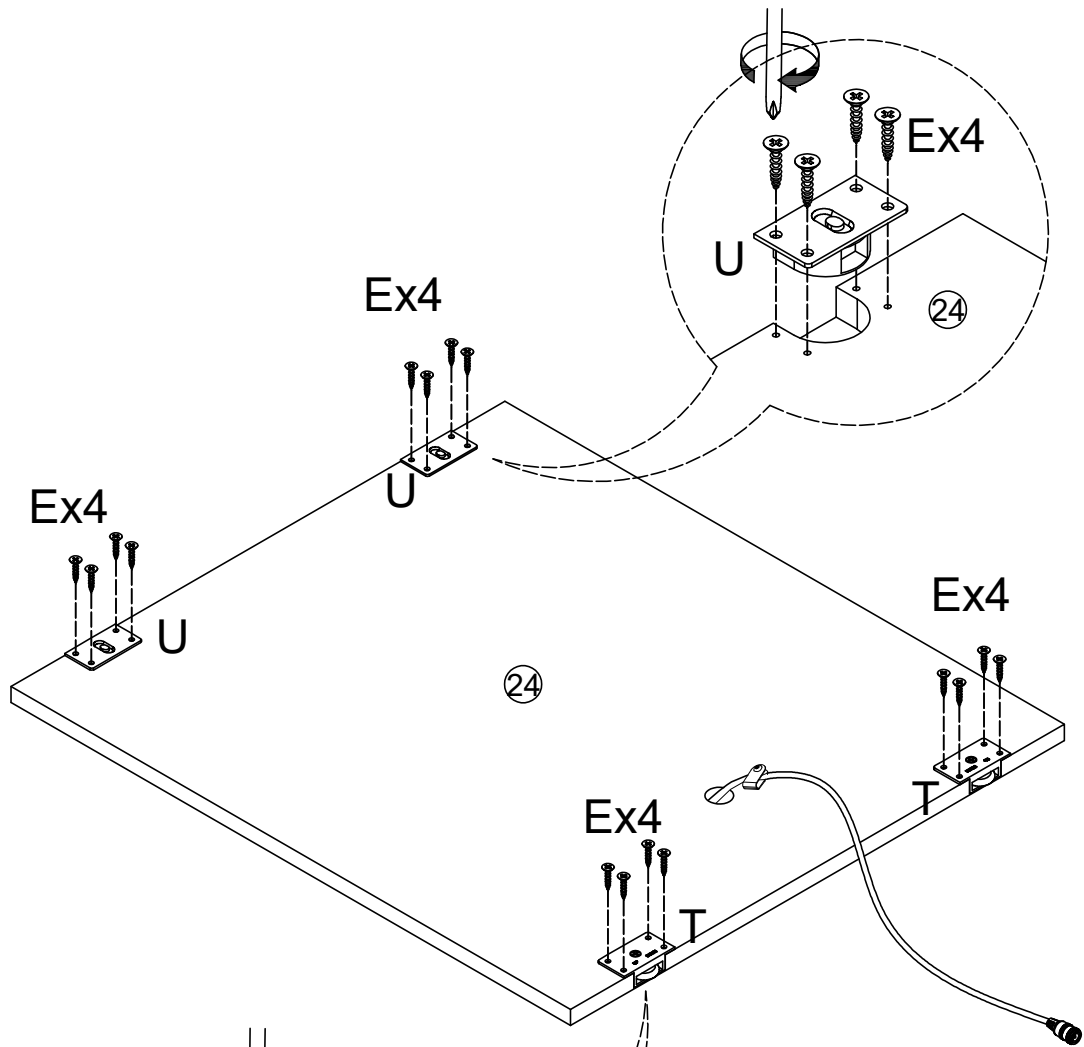


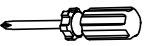
F	x6
	
20mm	


V	x8
	


Q	x1
	

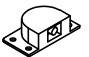
P	x16
	
4x12mm	



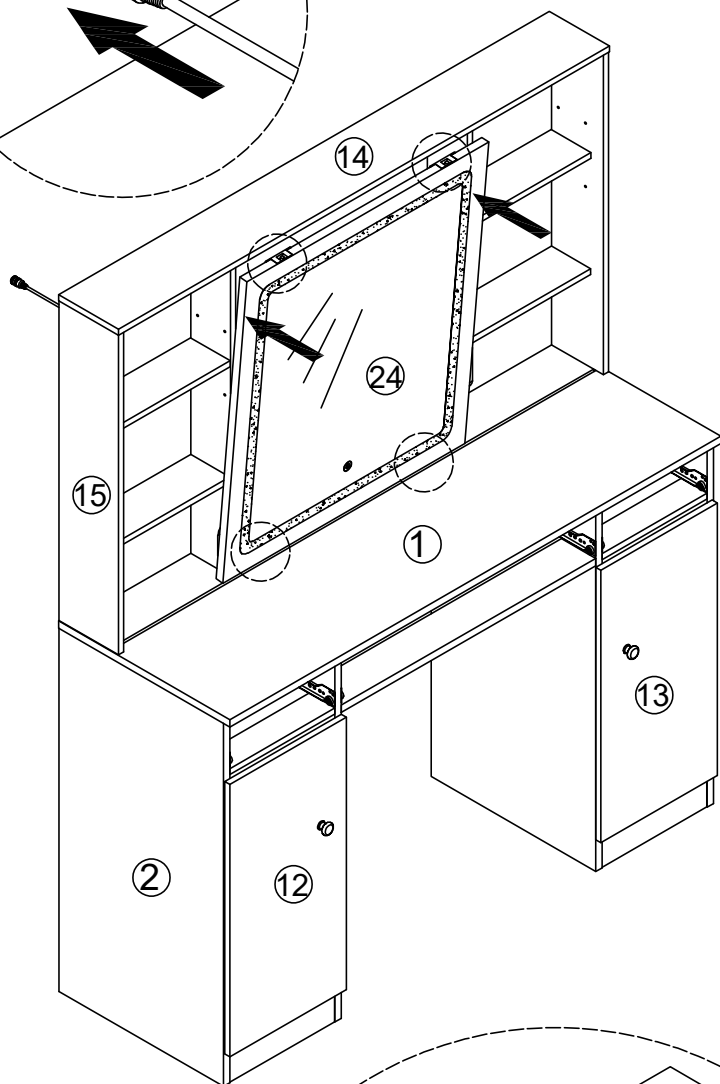
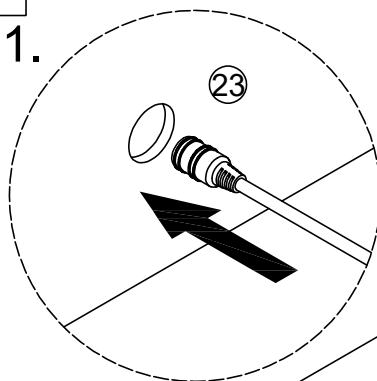
Q	x1
	

E	x16
	
3.5x12mm	

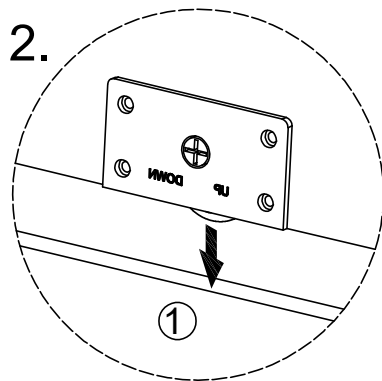
T	x2
	

U	x2
	

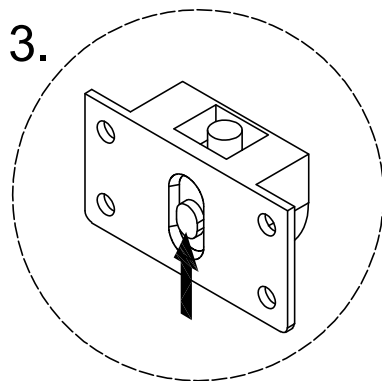
1.



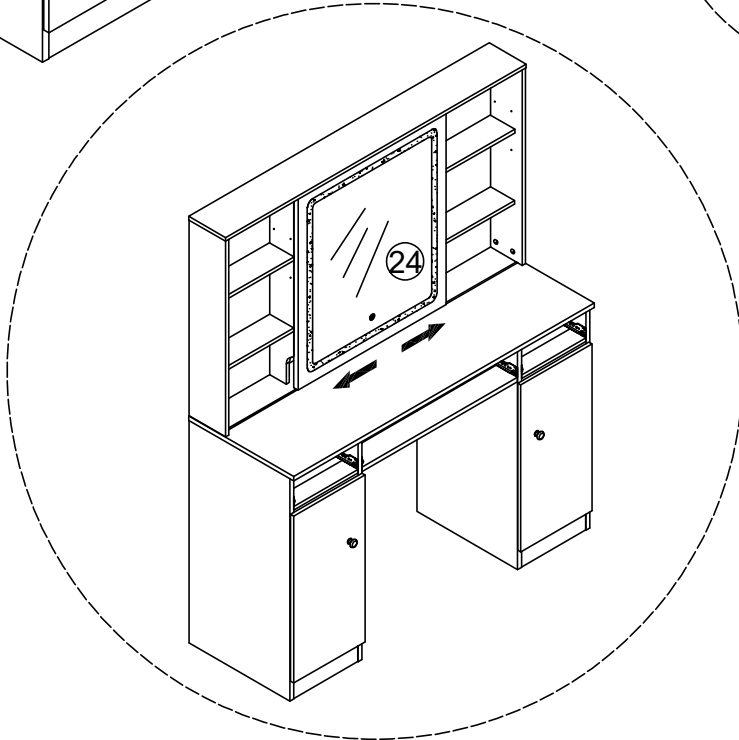
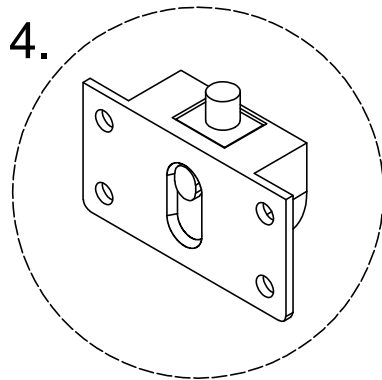
2.



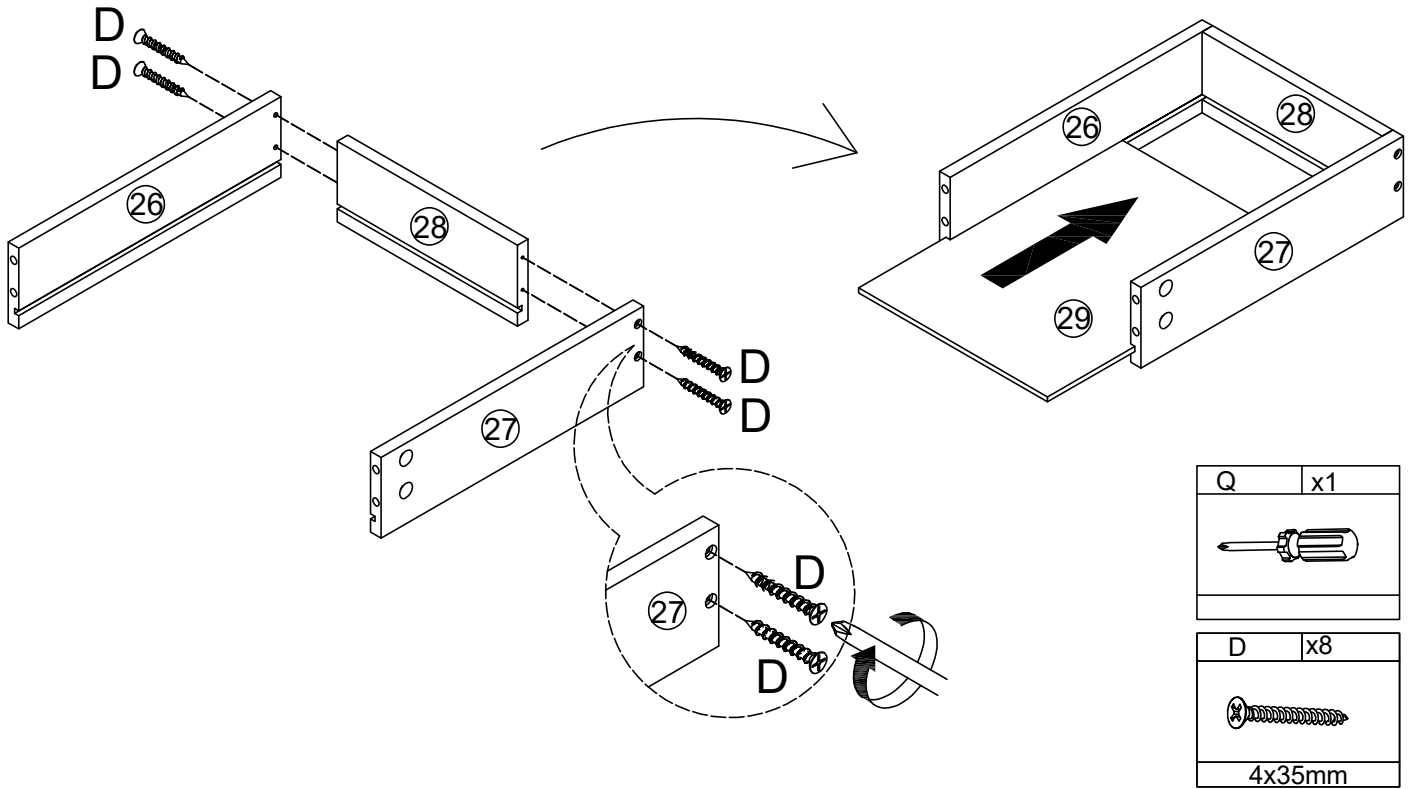
3.



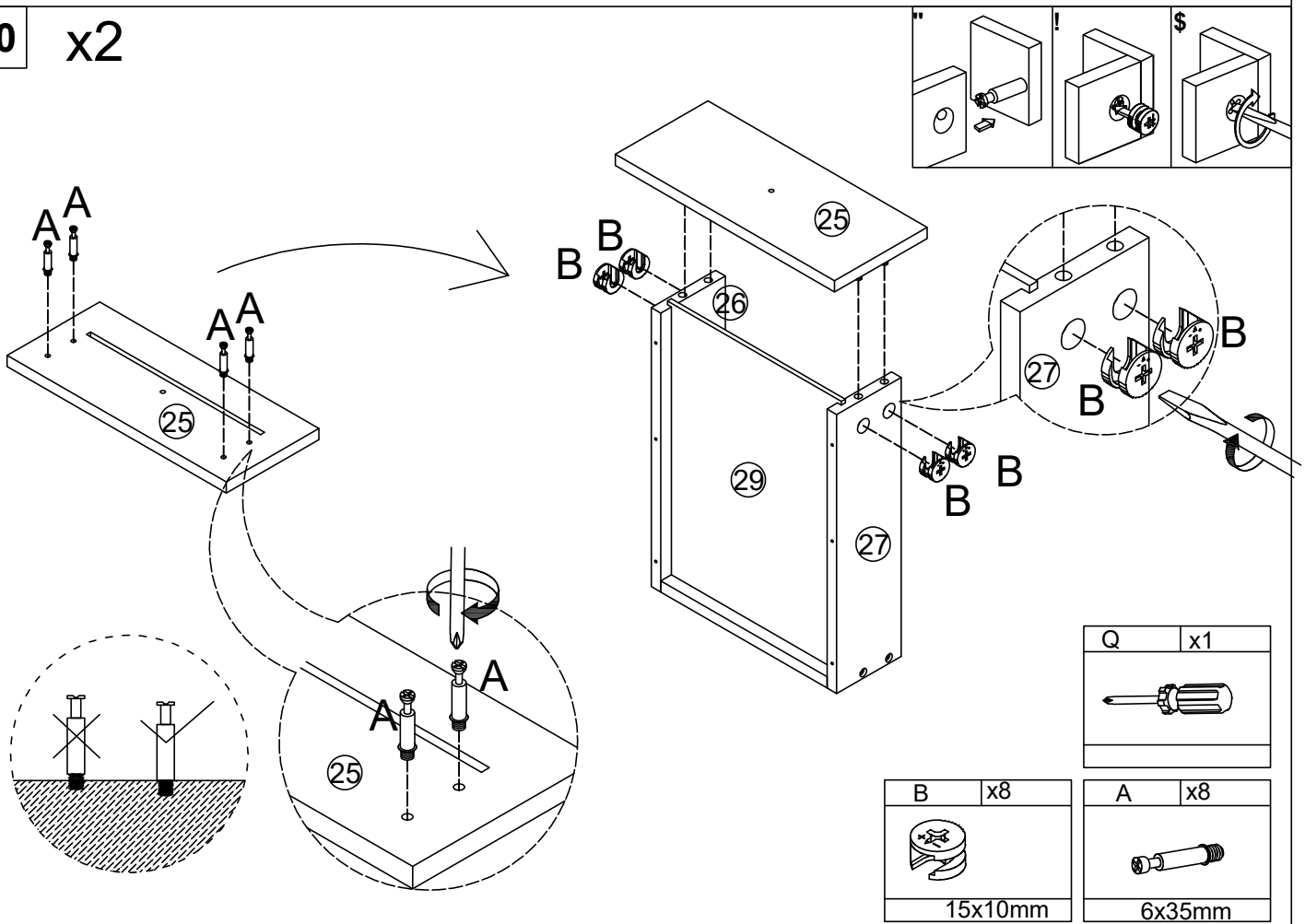
4.



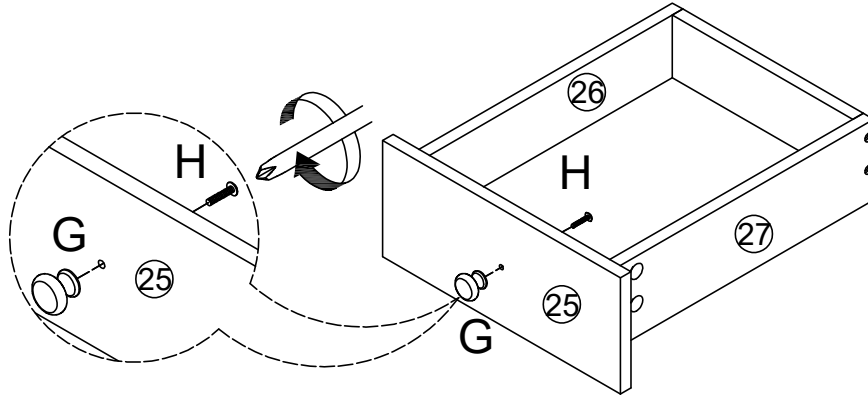
29 x2

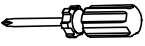



30 x2




31 x2

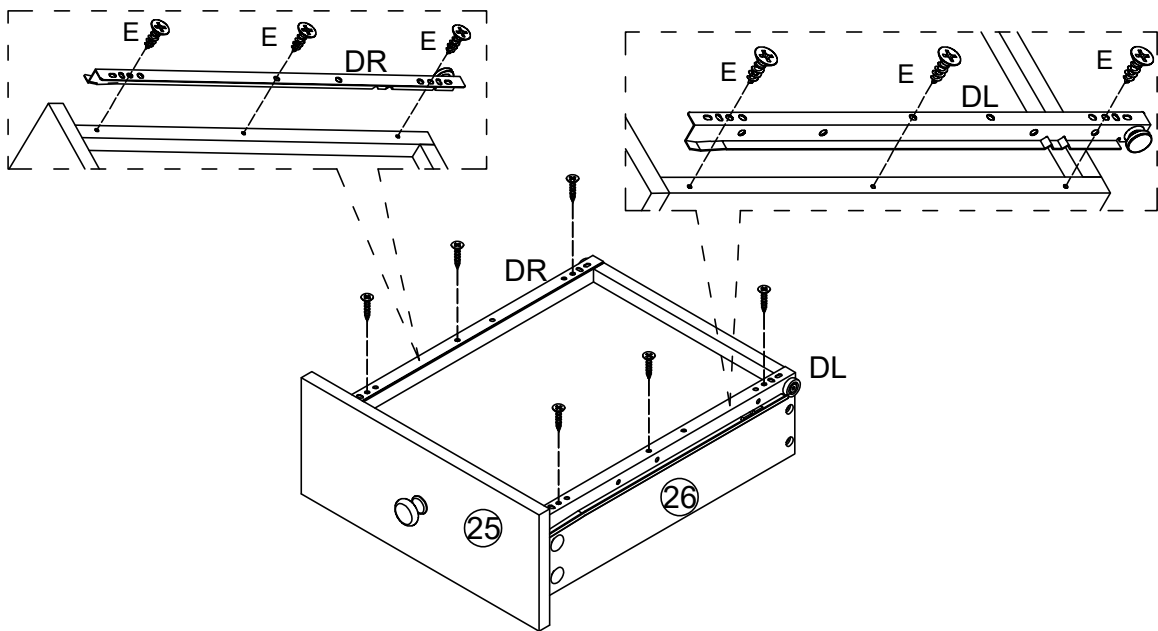



Q	x1
	


G	x2
	

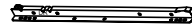
H	x2
	

32 x2

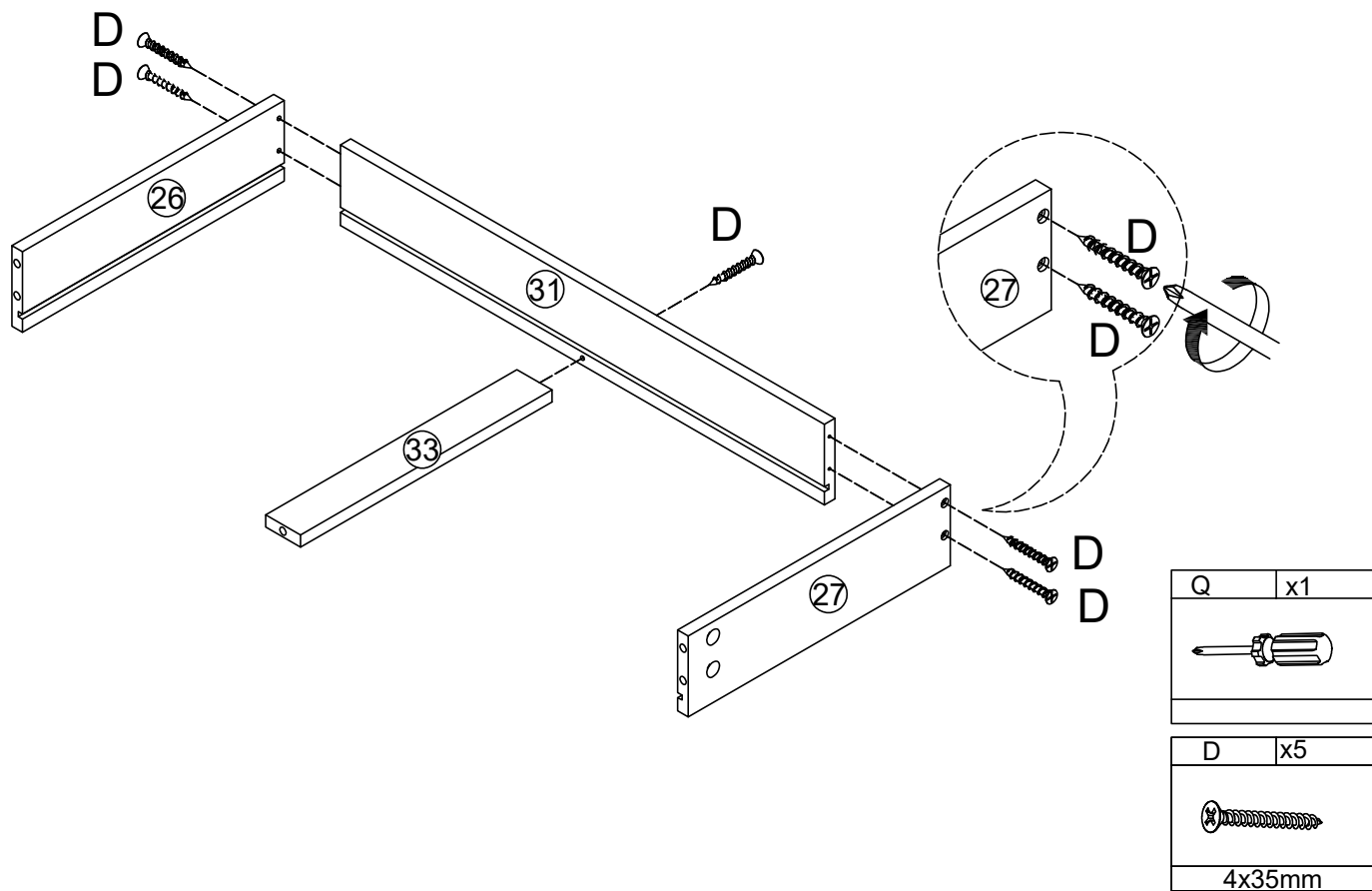


E	x12
	
3.5x12mm	

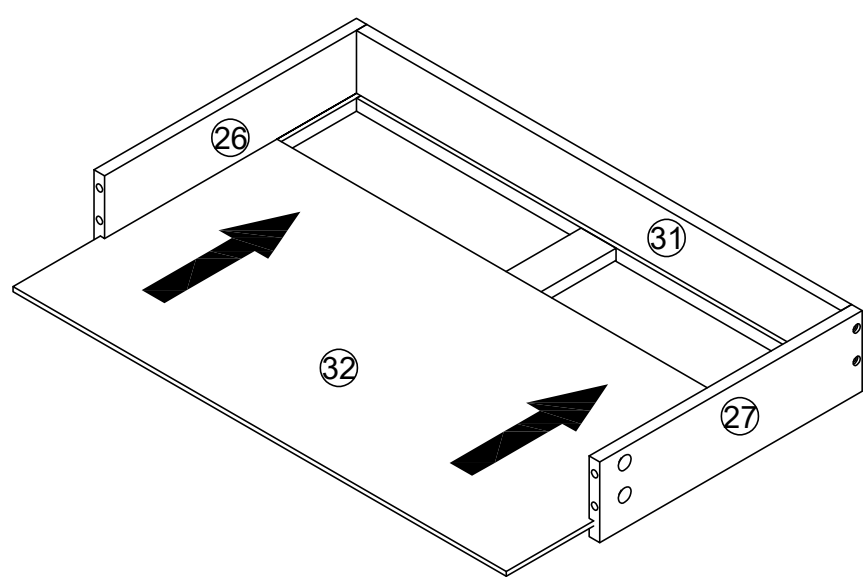
DL	x2
	
L300mm	

DR	x2
	
L300mm	

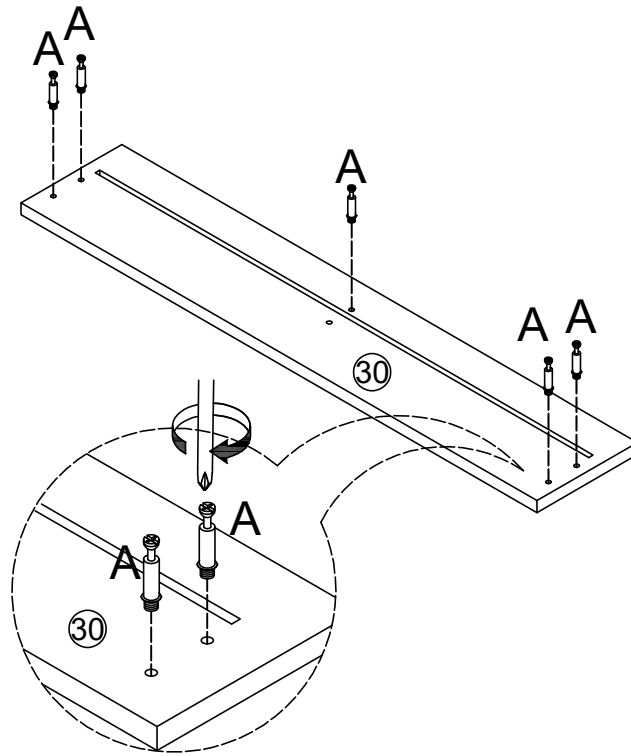
33

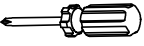
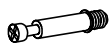


34

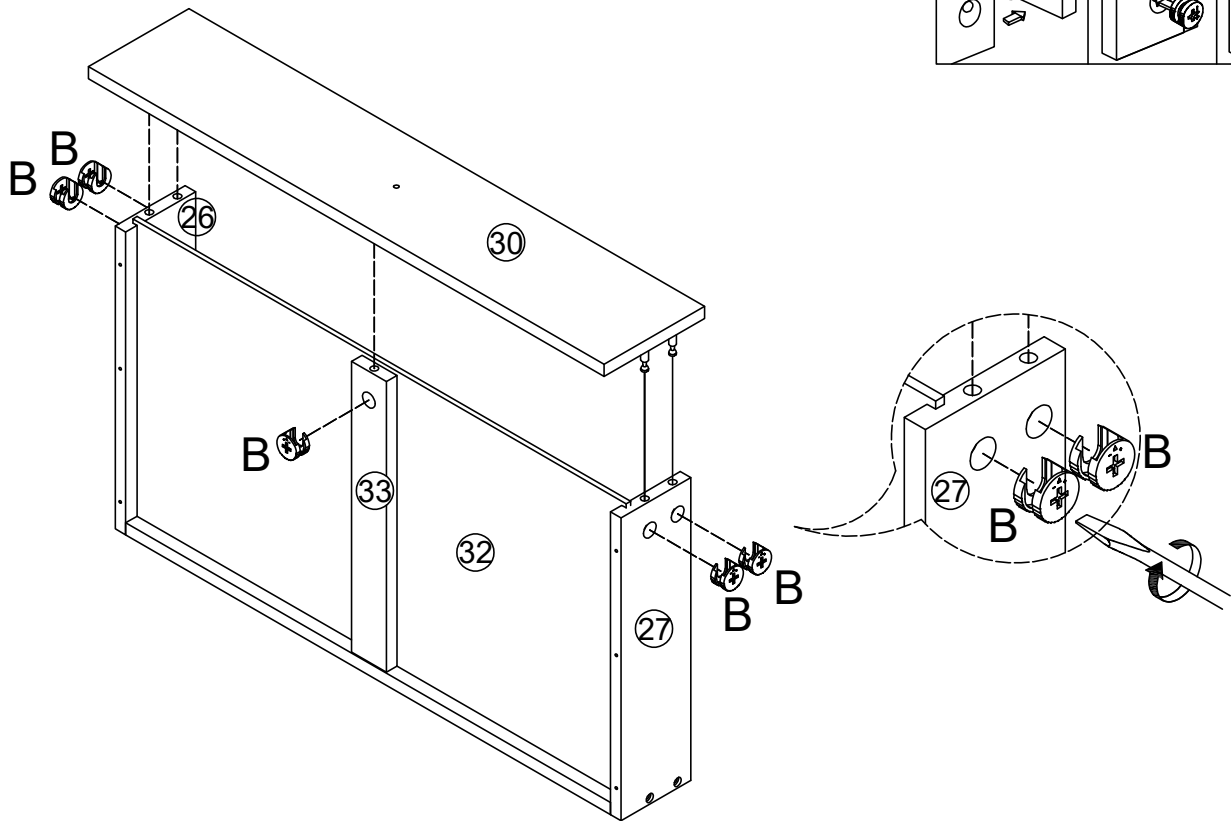
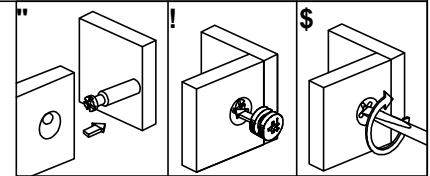



35



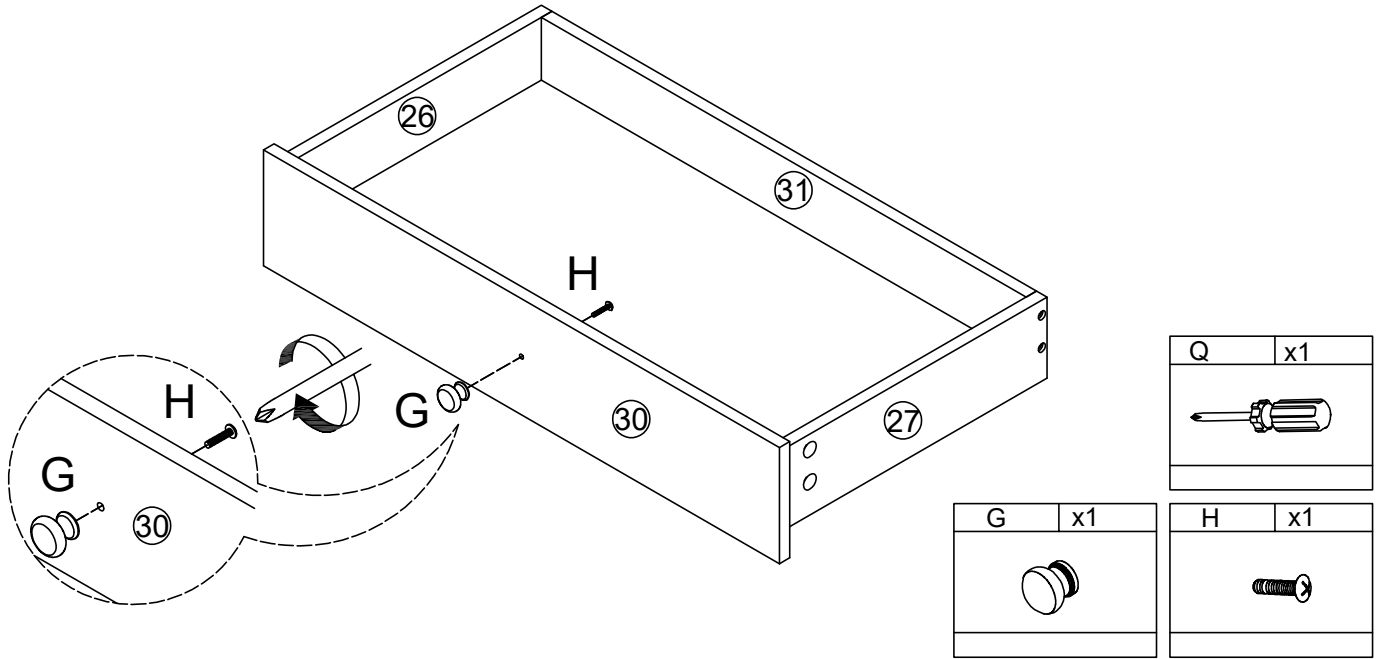
Q	x1
	
A	x5
	
6x35mm	

36

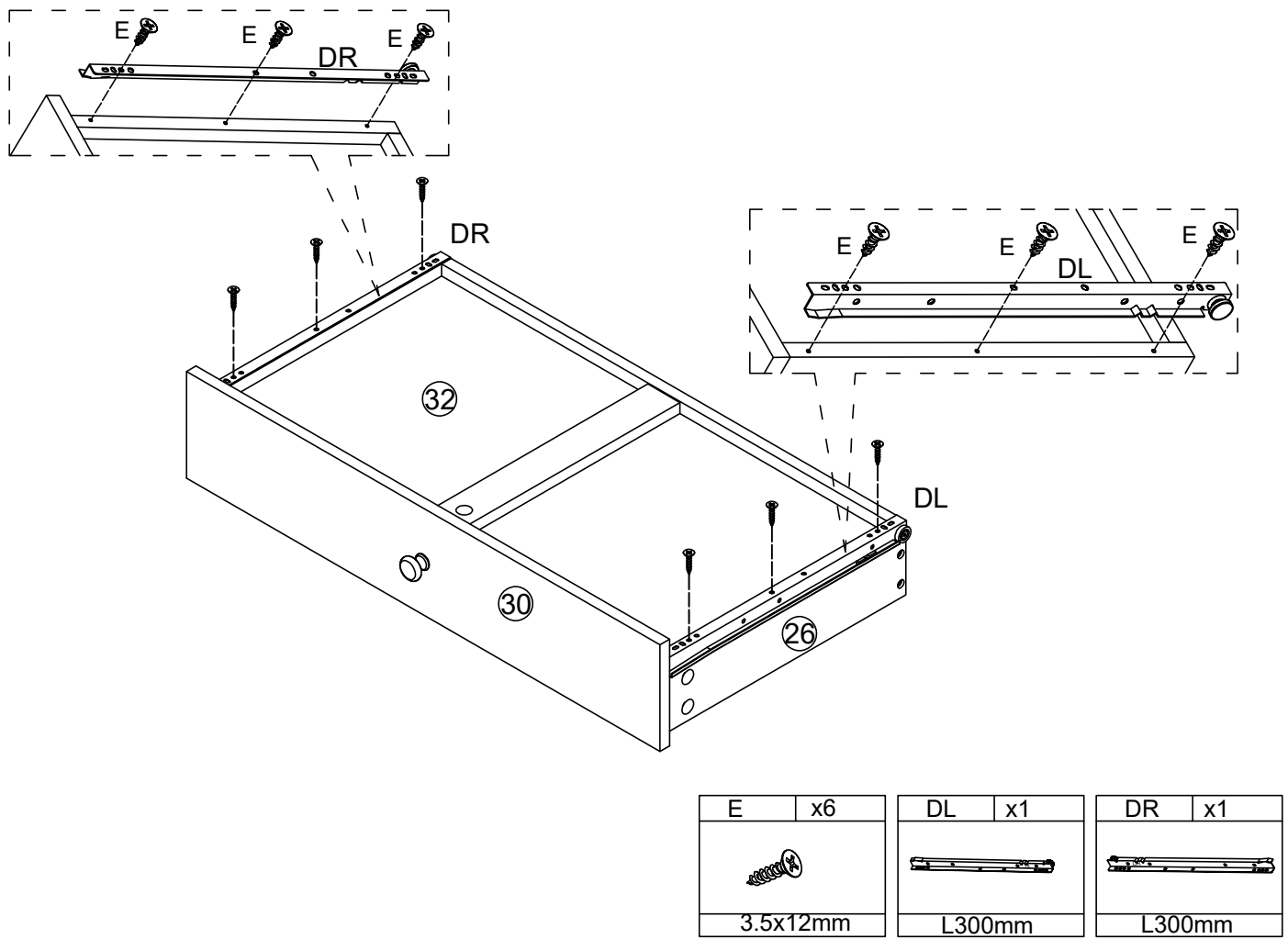


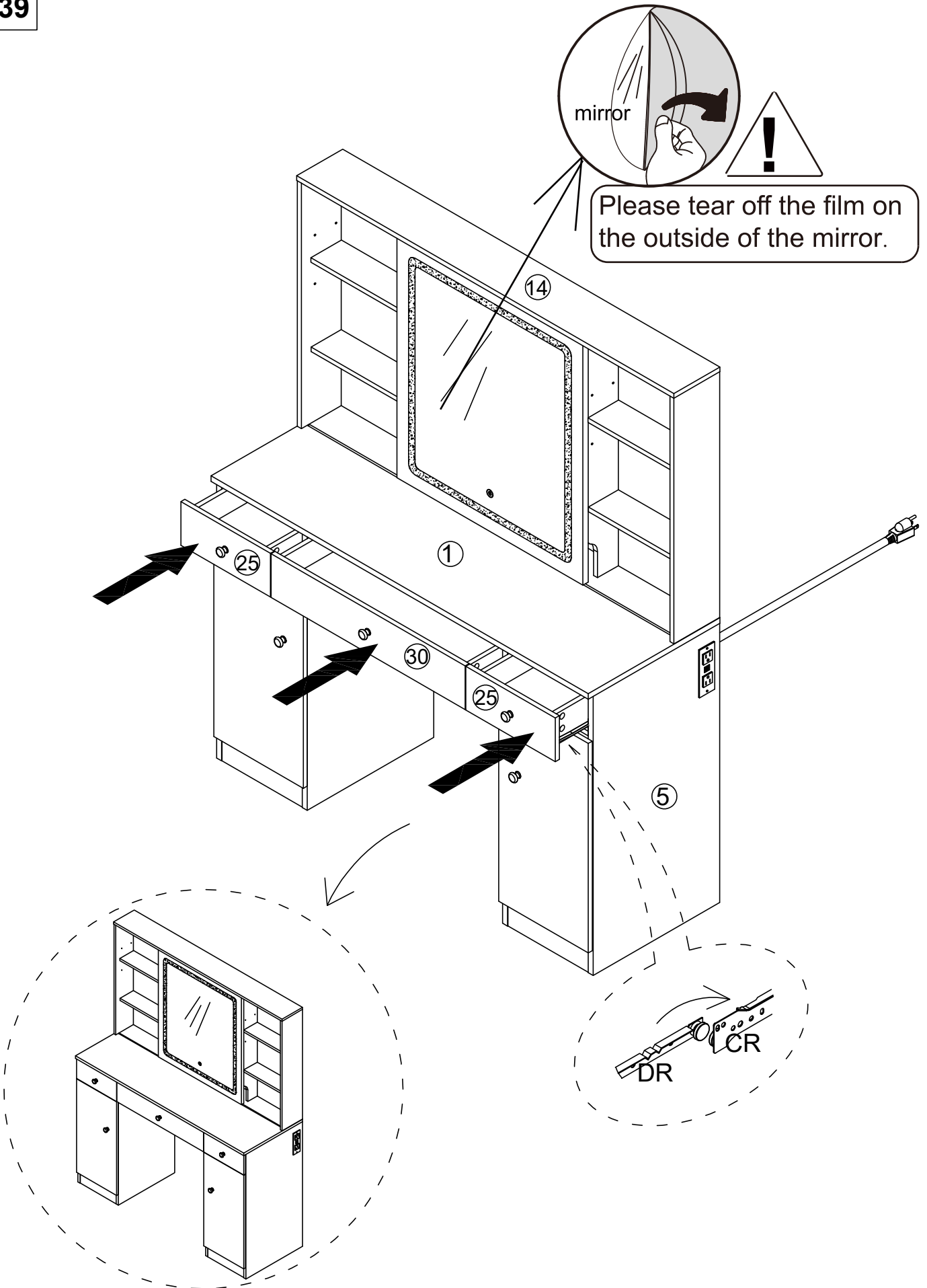
B	x5
	
15x10mm	

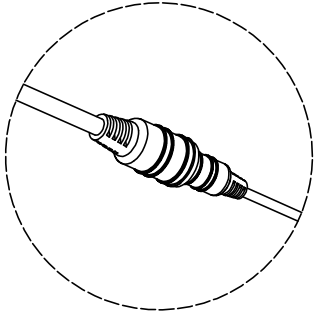
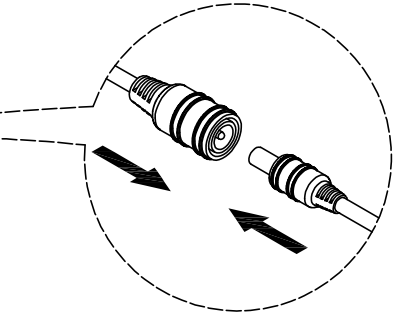
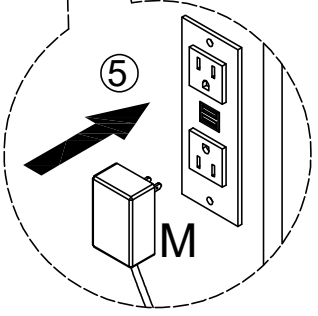
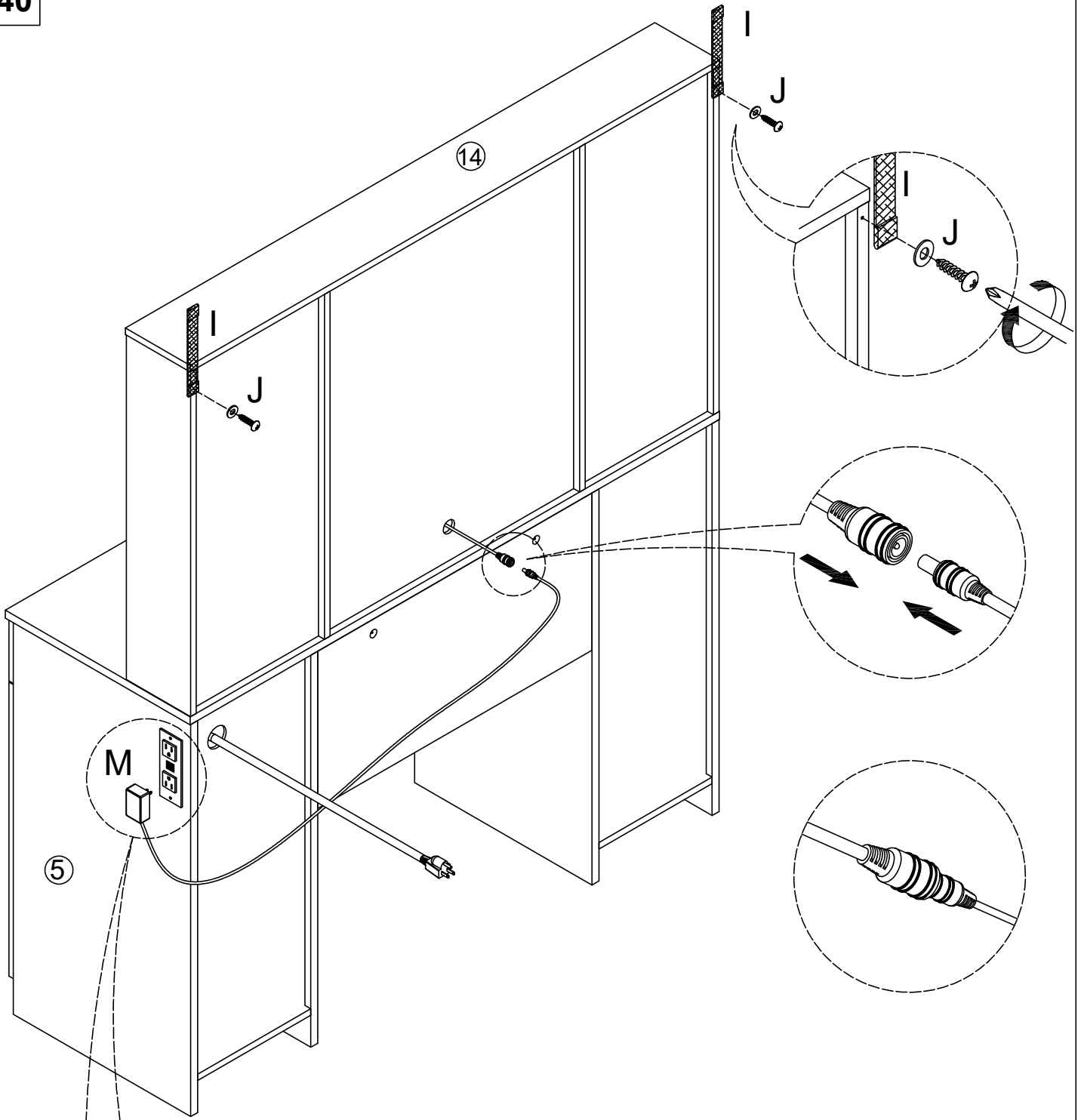
37



38





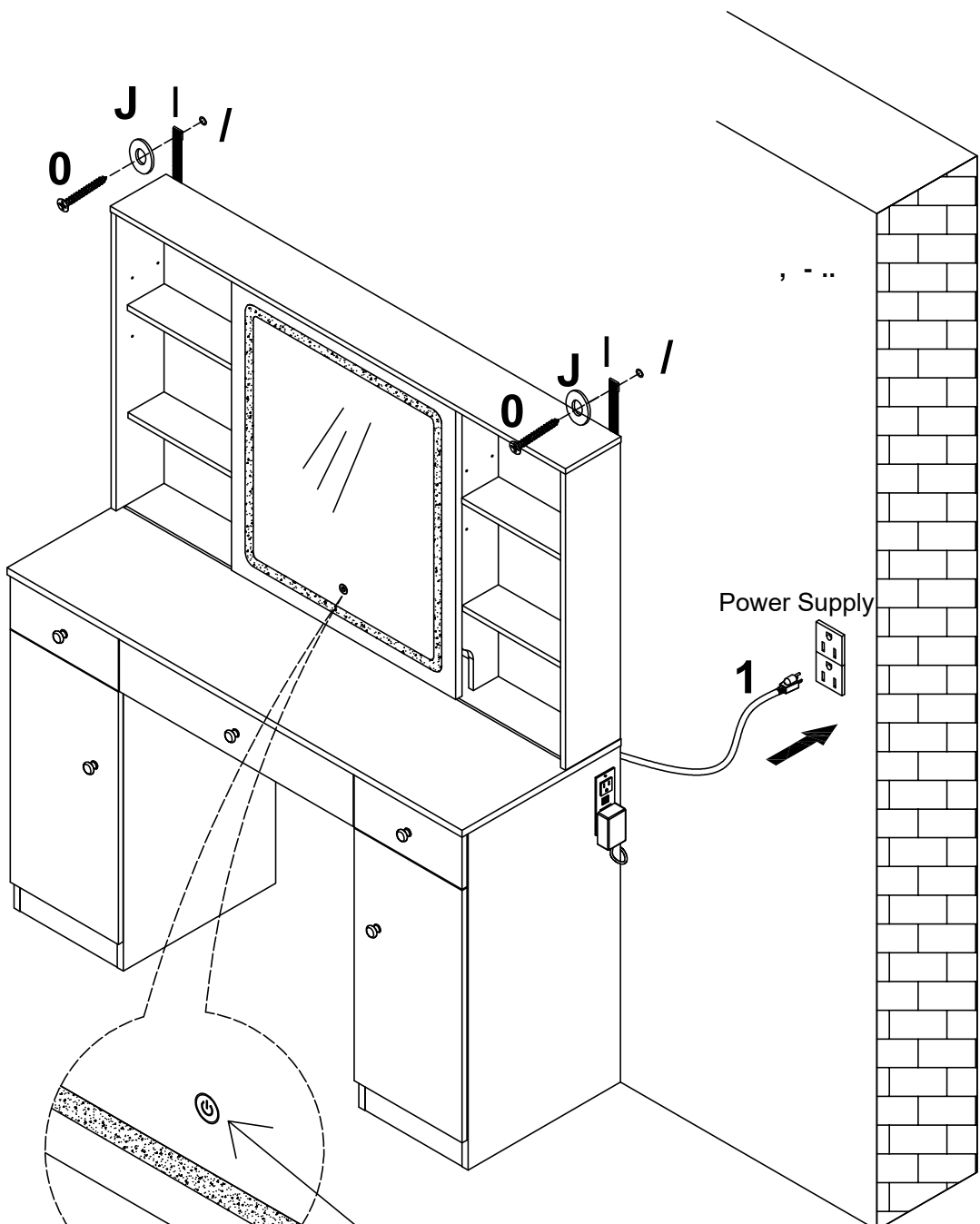
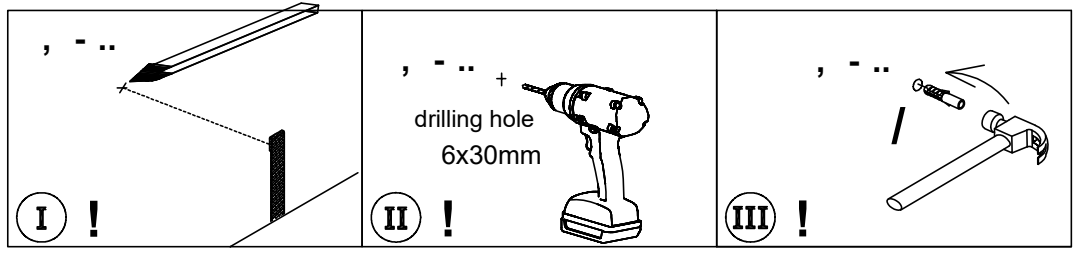


Q	x1

M	x1

I	x2

J	x2
4x14mm	



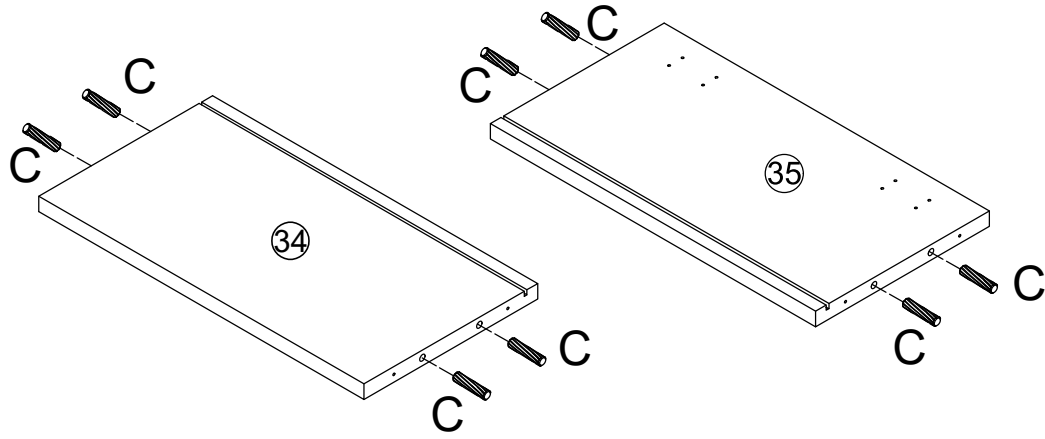
Q	x1


J	x2

D	x2
4x35mm	

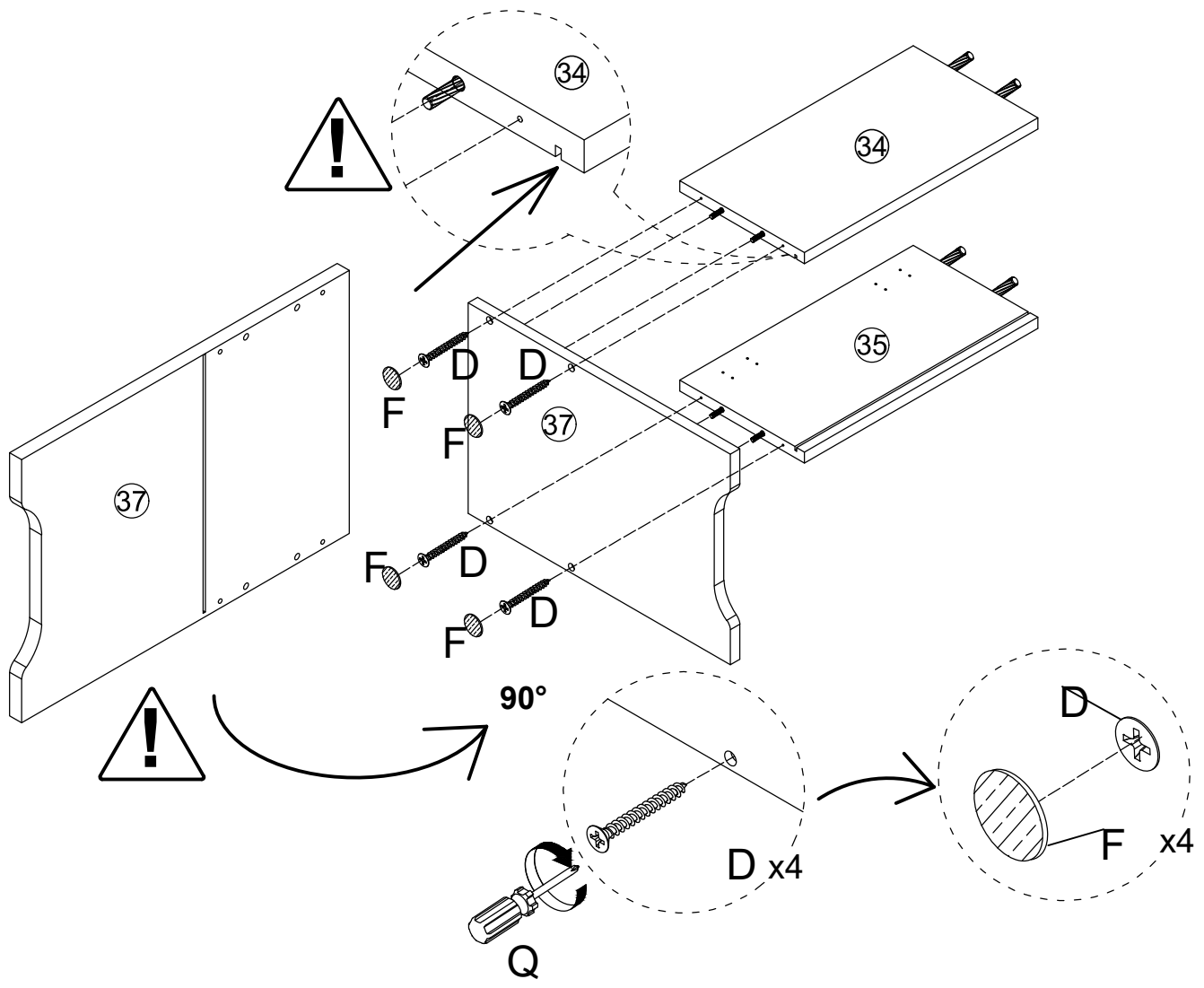
N	x2
6x30mm	



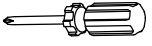
42



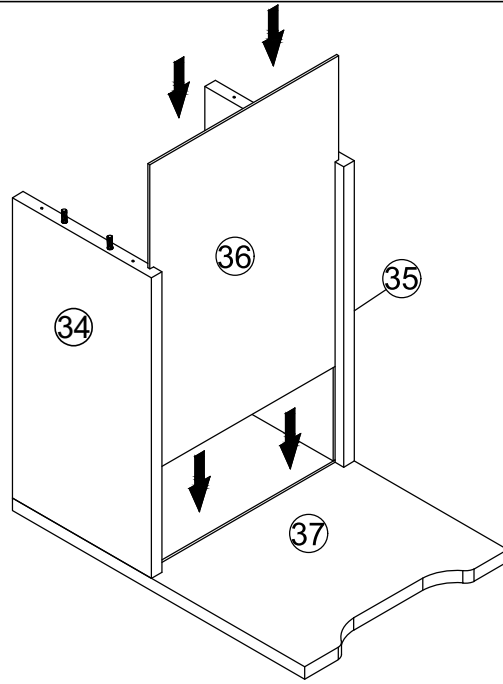
C	x8
	
$\text{\O}6 \times 30 \text{mm}$	

43

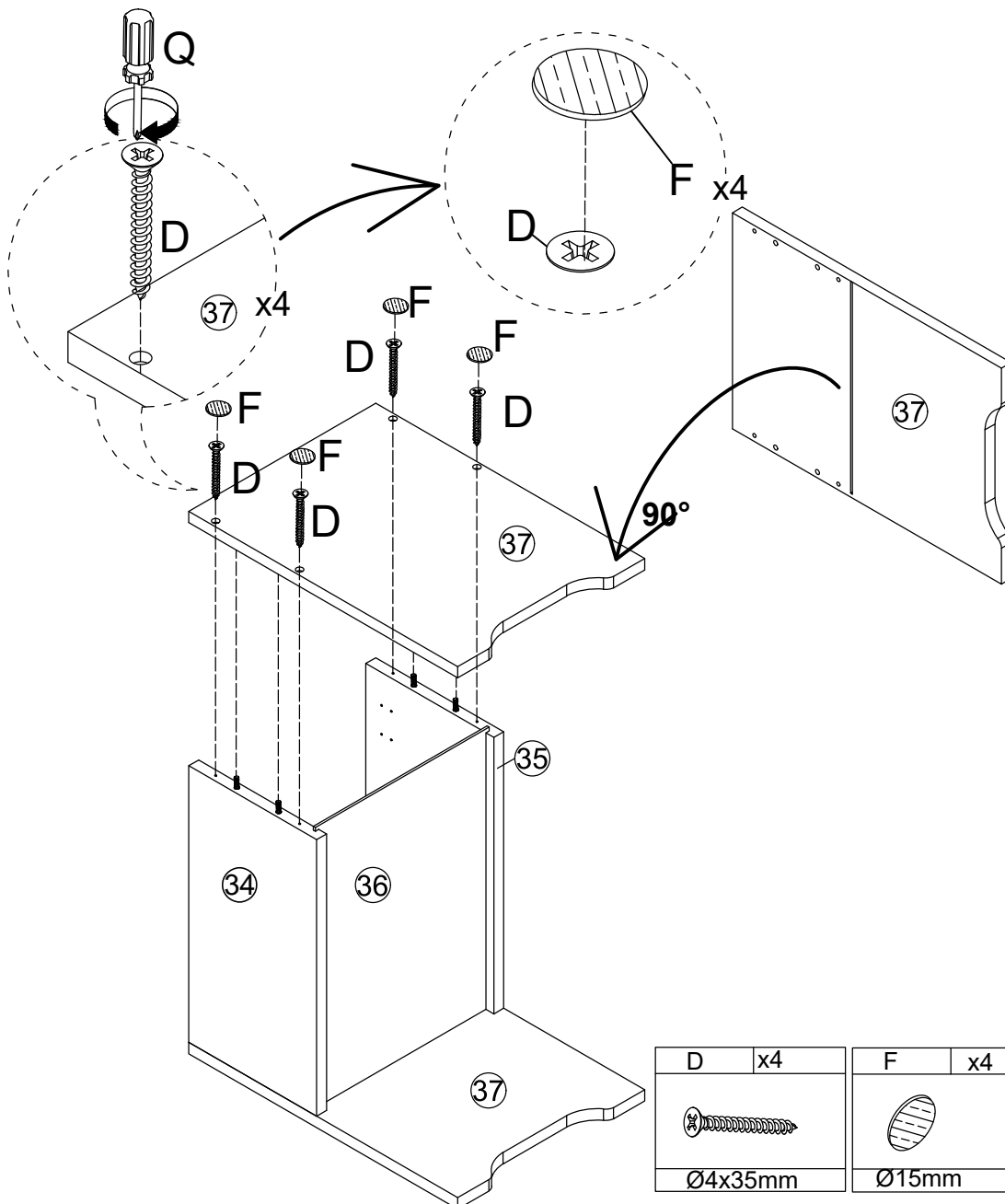


D	x4	F	x4	Q	x1
					
$\text{\O}4 \times 35 \text{mm}$		$\text{\O}15 \text{mm}$			

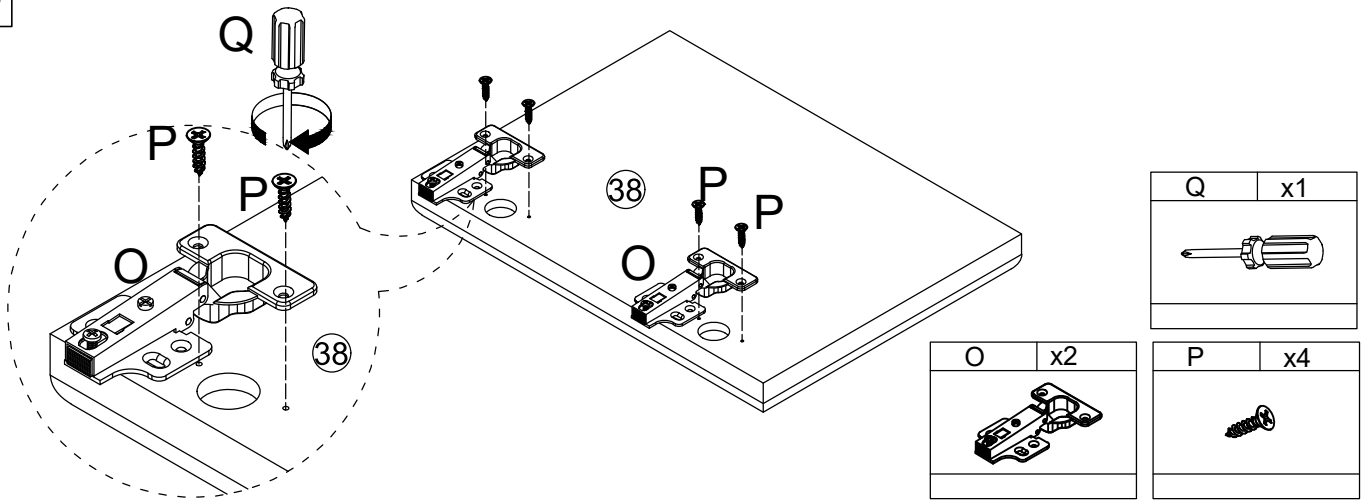
44



45



46



47

