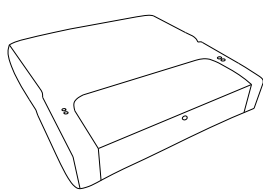
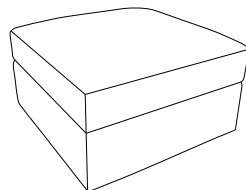


Parts List

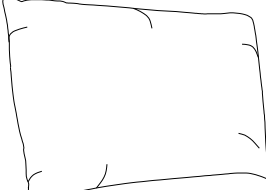
- ① Please check the parts carefully after receiving the product.
- ② Ensure that the parts are complete before installation.
- ③ If any parts is missing or damaged, please contact the seller for after-sales service.



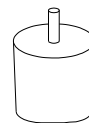
Ax1



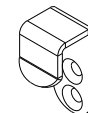
Bx1



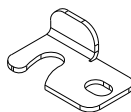
Cx1



Dx4



Ex2



Fx1



Gx4



Hx4



Ix1



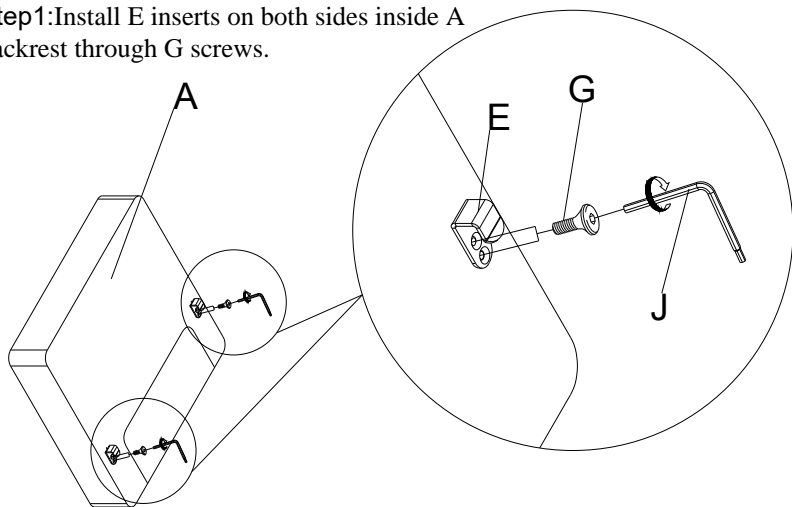
Jx1



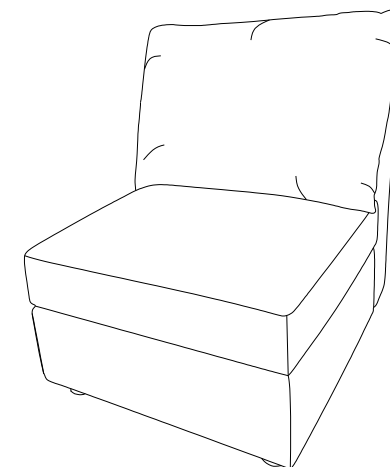
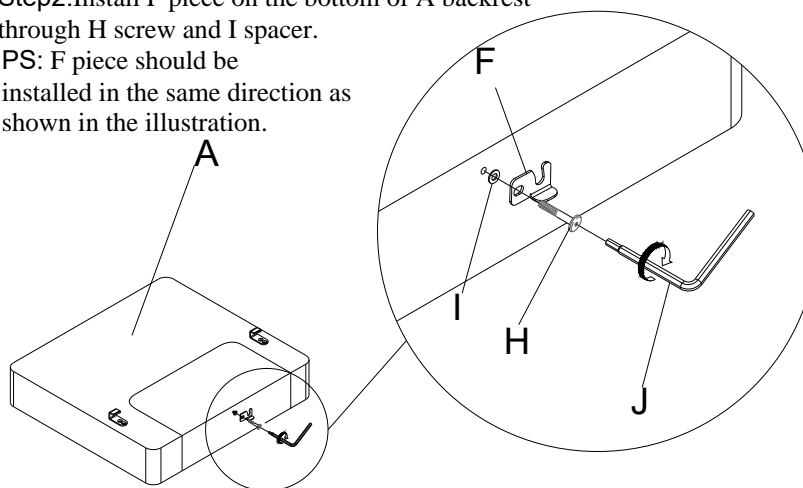
Kx2

Installation Instructions

Step1: Install E inserts on both sides inside A backrest through G screws.

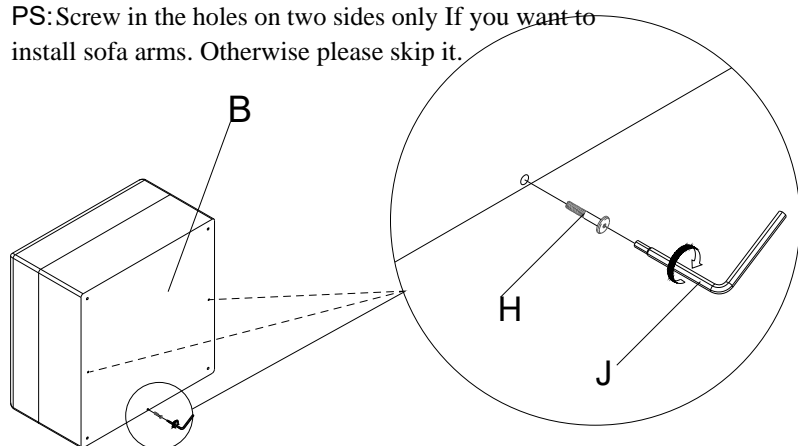


Step2: Install F piece on the bottom of A backrest through H screw and I spacer.
PS: F piece should be installed in the same direction as shown in the illustration.

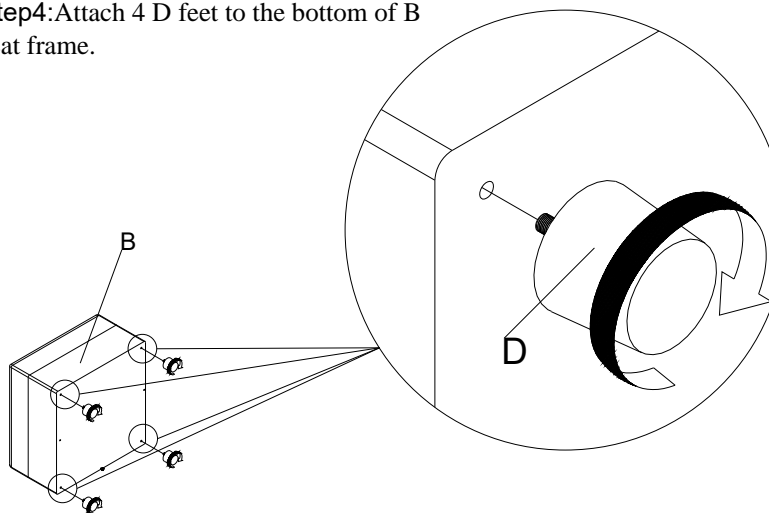


Step3: Install H screw on the rear underside of B seat frame.

PS: Screw in the holes on two sides only If you want to install sofa arms. Otherwise please skip it.



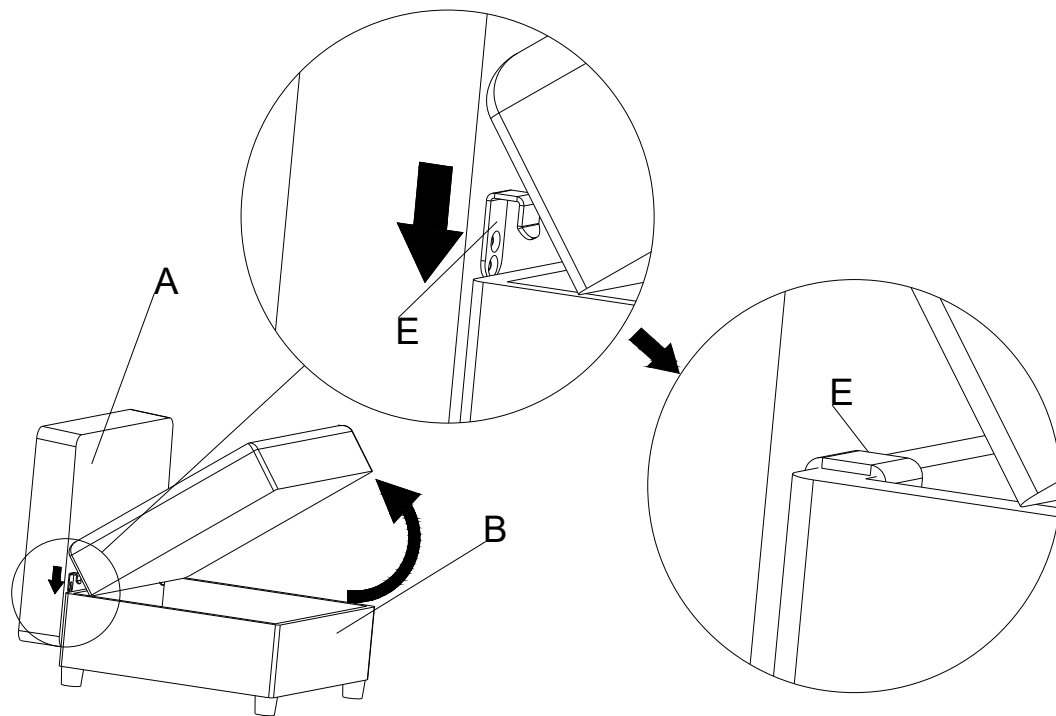
Step4: Attach 4 D feet to the bottom of B seat frame.



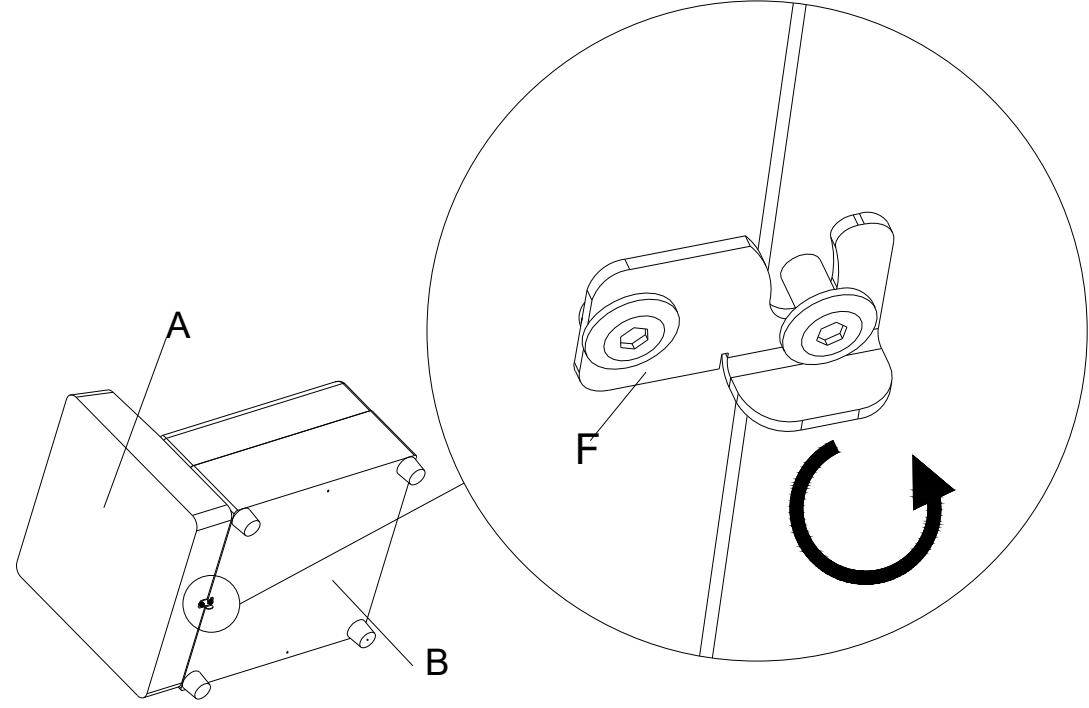
Product Name: Armless Sofa
Number of installers: 1 person

- ① To install this product, please read this manual carefully and follow the steps strictly.
- ② Please keep this manual in a safe place for the next installation.

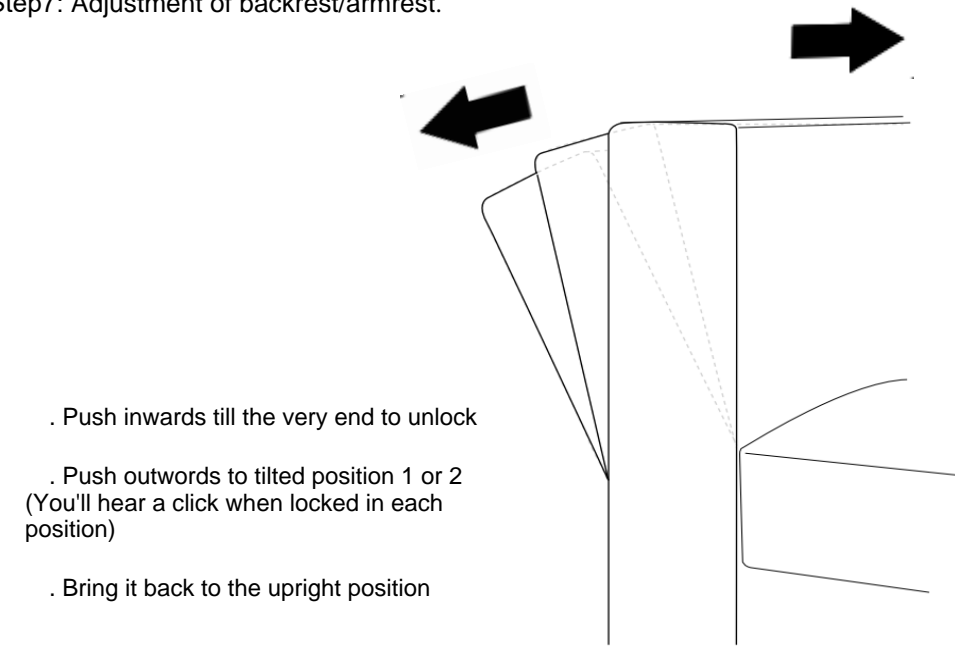
Step5: Open B seat frame to snap in A backrest.



Step6: Lift up the sofa and turn F piece to the position shown in the illustration.

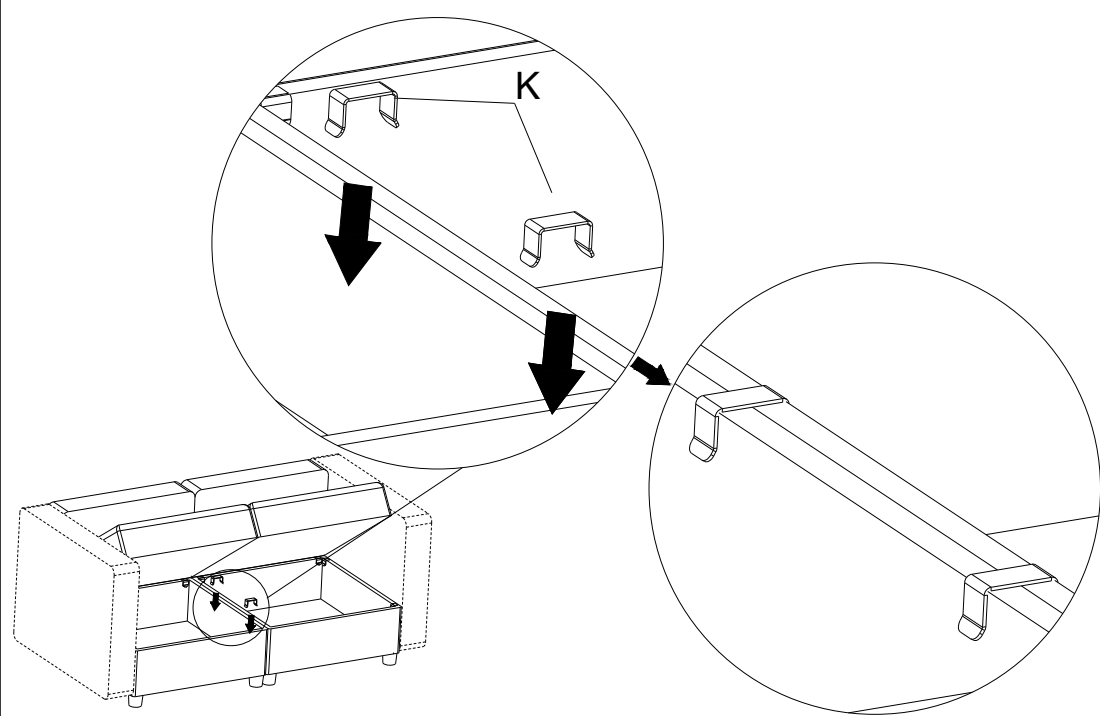


Step7: Adjustment of backrest/armrest.



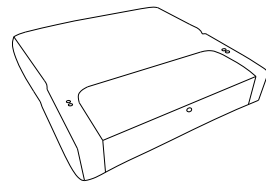
- . Push inwards till the very end to unlock
- . Push outwards to tilted position 1 or 2 (You'll hear a click when locked in each position)
- . Bring it back to the upright position

Step8: Multi-seat connection via K piece.

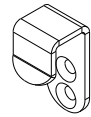


Parts List

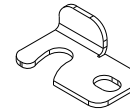
- ①Please check the parts carefully after receiving the product.
- ②Ensure that the parts are complete before installation.
- ③If any parts is missing or damaged, please contact the seller for after-sales service.



Ax2



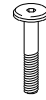
Ex4



Fx2



Gx8



Hx2



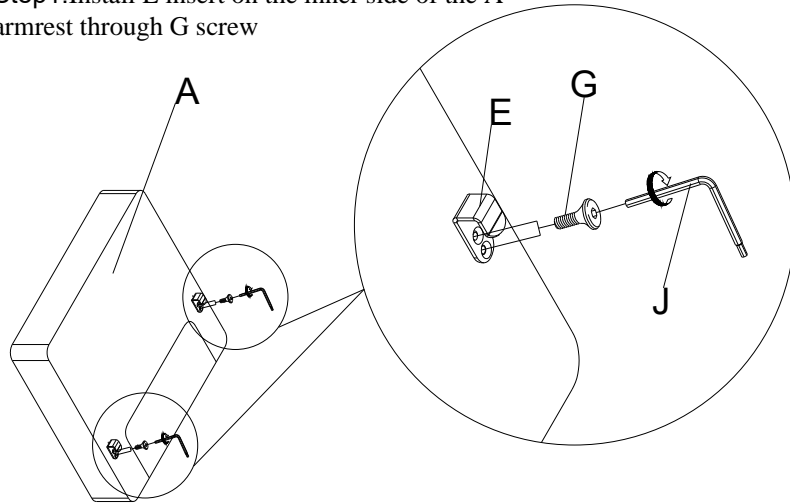
Ix2



Jx1

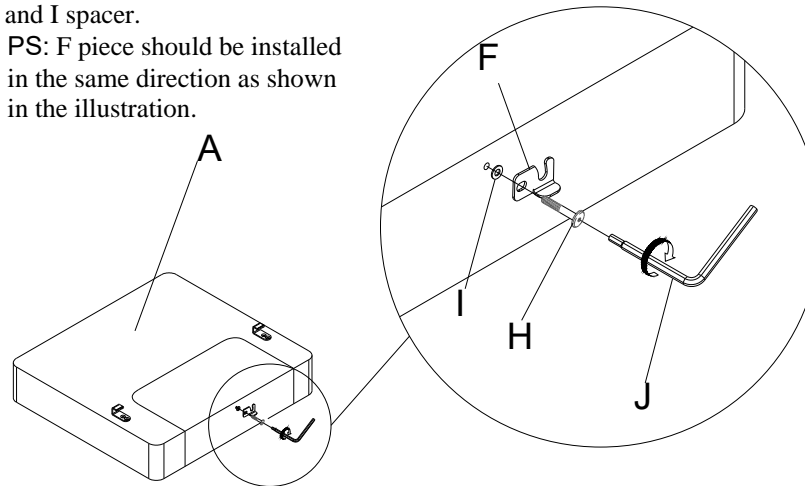
Installation Instructions

Step1: Install E insert on the inner side of the A armrest through G screw

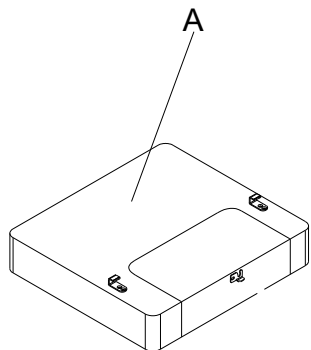


Step2: Install F piece on the bottom of A armrest via H screw and I spacer.

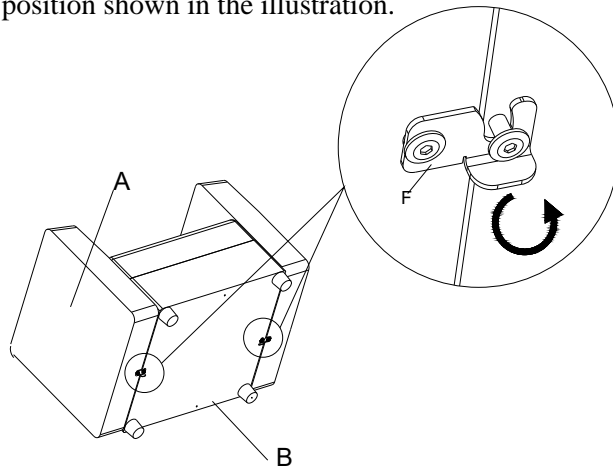
PS: F piece should be installed in the same direction as shown in the illustration.



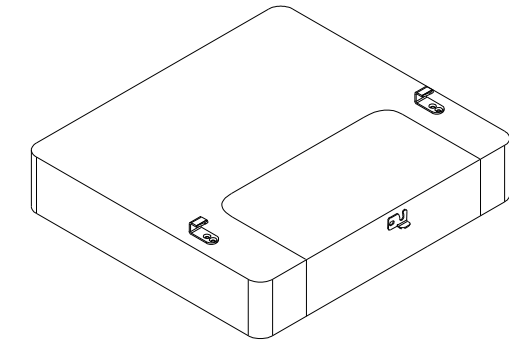
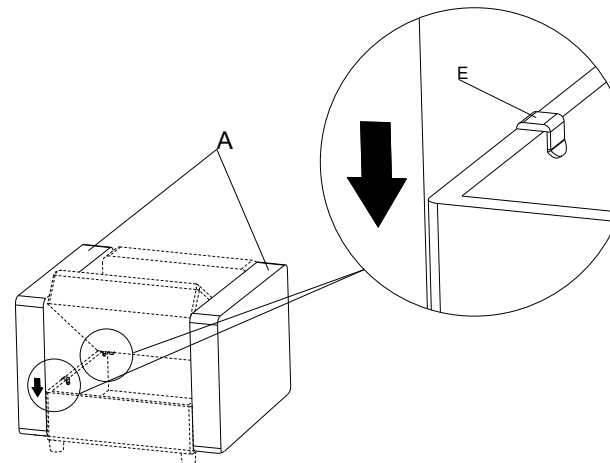
Step3: Repeat the previous two steps to install another arm.



Step4: Lift up the sofa and turn F piece to the position shown in the illustration.



Step5: Snap A armrests into the side of the seat frame.



Product Name: Sofa Armrest/Backrest
Number of installers: 1 person

- ①To install this product, please read this manual carefully and follow the steps strictly.
- ②Please keep this manual in a safe place for the next installation.