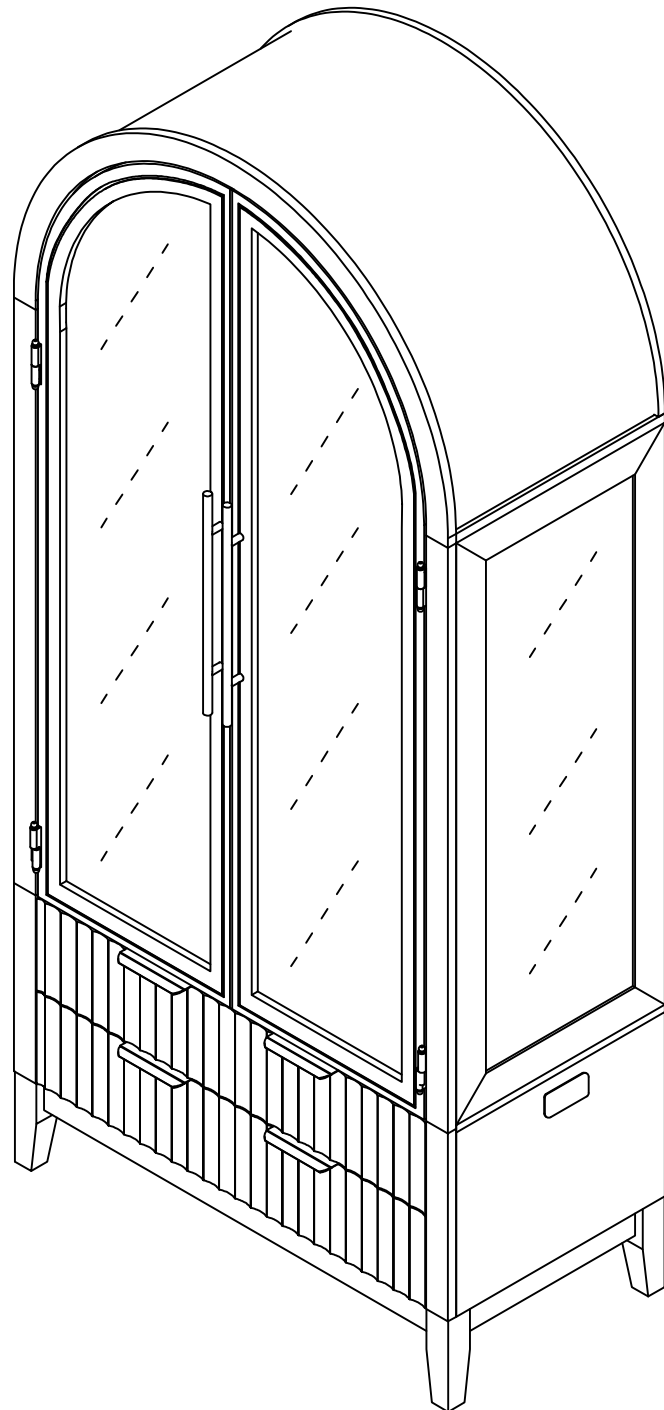
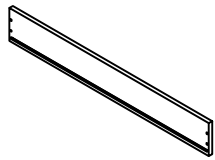
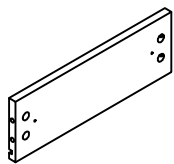


# Product Installation Instructions

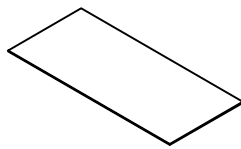




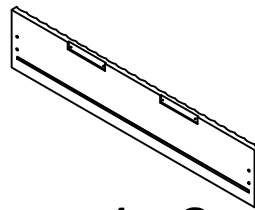
1x2



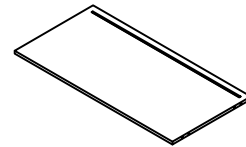
2x4



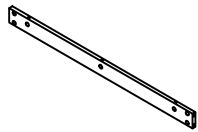
3x2



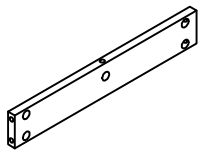
4x2



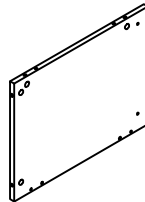
5x1



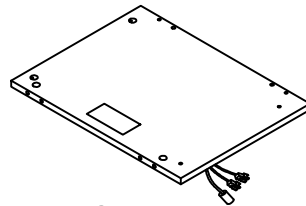
6x2



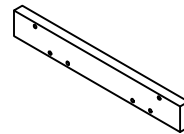
7x2



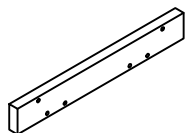
8x1



9x1



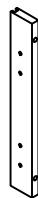
10x1



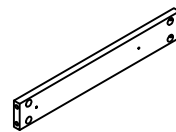
11x1



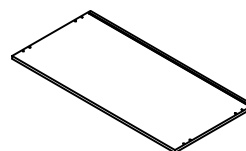
12x1



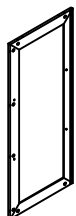
13x1



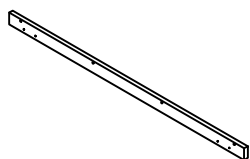
14x4



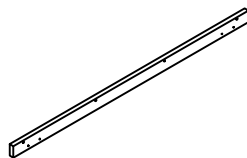
15x1



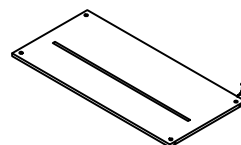
16x2



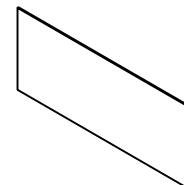
17x1



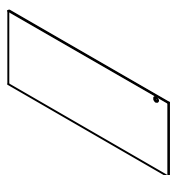
18x1



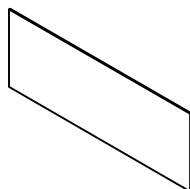
19x2



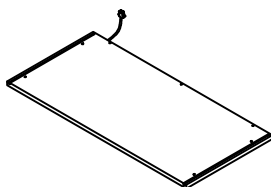
20x1



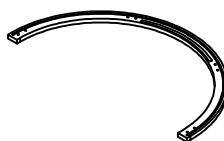
21x2



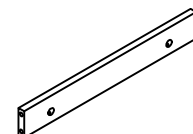
22x1



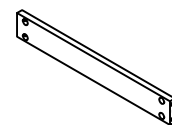
23x1



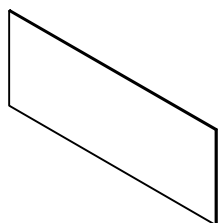
24x1



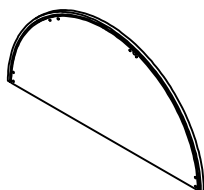
25x2



26x1



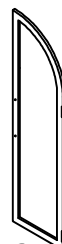
27x1



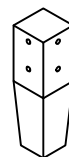
28x1



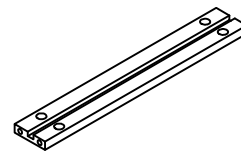
29x1



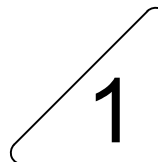
30x1



31x4

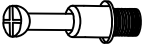

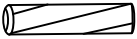

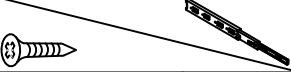
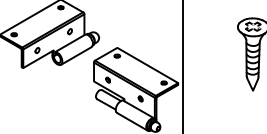

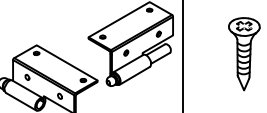

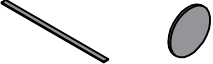
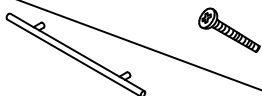
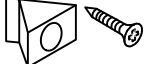


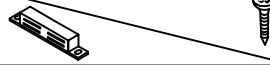
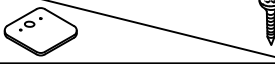



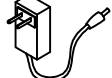

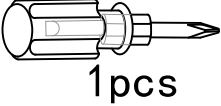
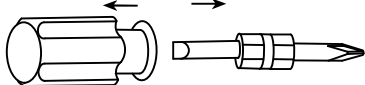



32x1

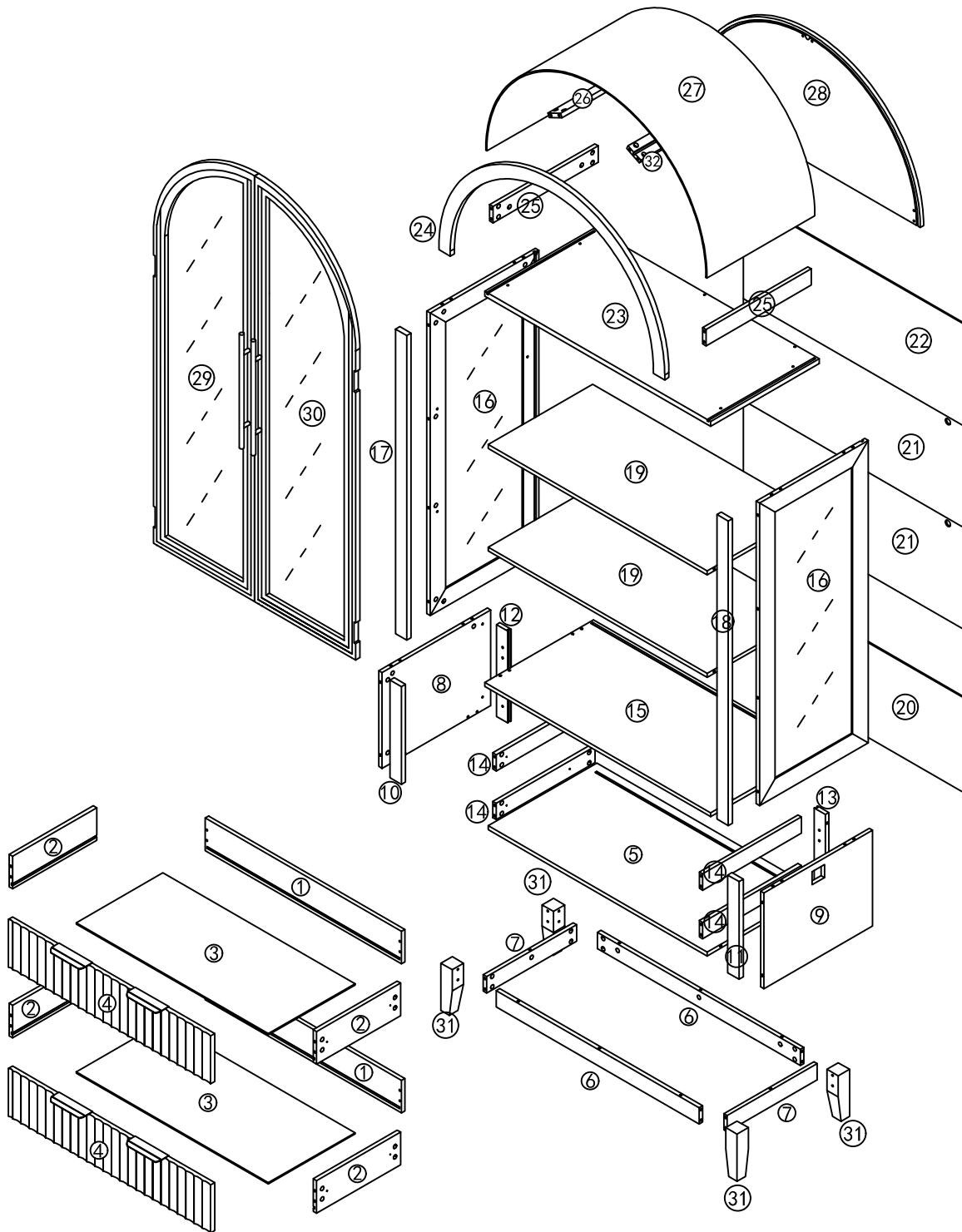


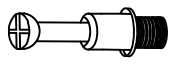





1

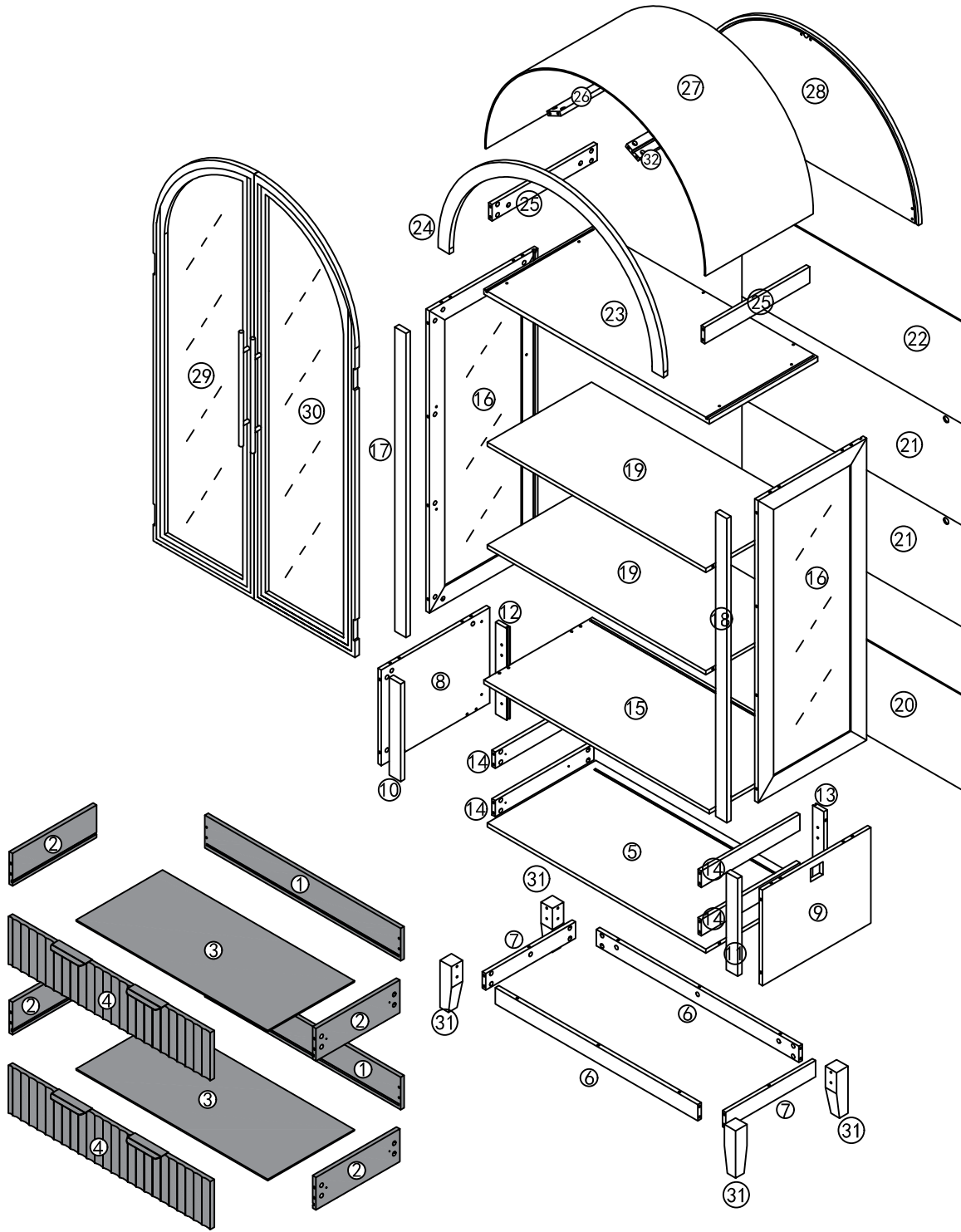
# Accessories list

A		Two in one screw (6x28mm)	119pcs +6pcs	
B		Two in one nut (10x12mm)	119pcs +6pcs	
C		Wood chipping (6x30mm)	16pcs +4pcs	
D		Handle & Screw (3x12mm)	4pcs	8pcs +2pcs
E		Screw & Guide (3x12mm)	20pcs +4pcs	4pcs
F		Hinge & Screw (3.5x12mm)	2pcs	16pcs +2pcs
G		Adjuster foot	4pcs	
H		Hinge & Screw (3.5x12mm)	2pcs	16pcs +2pcs
I		Wire	1pcs	
J		Sticker ( $\phi$ 20mm)	1pcs	4pcs +2pcs
K		Arch handle & Screw (4x22mm)	2pcs	4pcs
L		Fixing Clip & Screw (3x16mm)	16pcs +1pcs	
M		Forked line	2pcs	
N		Wire Clamp	5pcs +1pcs	
O		Door Magnet & Screw (3x12mm)	1pcs	2pcs +1pcs
P		Iron Sheet & Screw (3x10mm)	2pcs	2pcs +1pcs
Q		anti-tipping tape	1pcs	
		Screw & gasket (3.5x14mm)	1pcs	2pcs
		Screw (4x45mm)	1pcs	1pcs
R		AC/DC Adapter (12V=3.0A)	1pcs	
		Double-head screwdriver, use as required		
		 1pcs 		

# Product structure decomposition

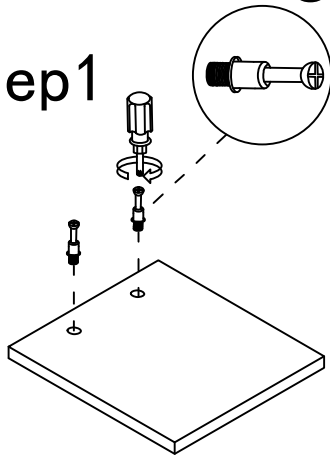


<b>A</b>		16pcs	<b>B</b>		16pcs	<b>D</b>		4pcs		8pcs	
<b>E</b>											
	4pcs	8pcs									

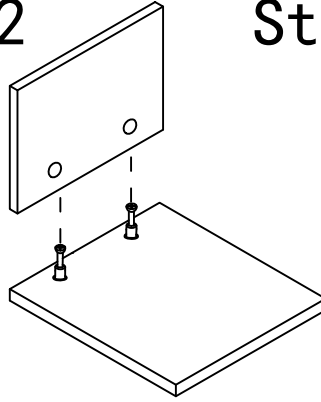


# Use parts A and B

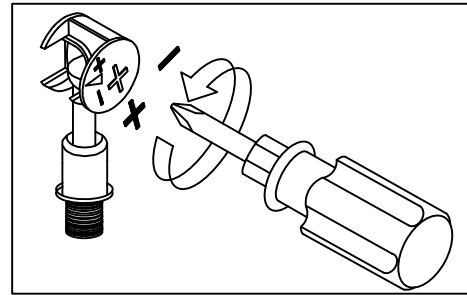
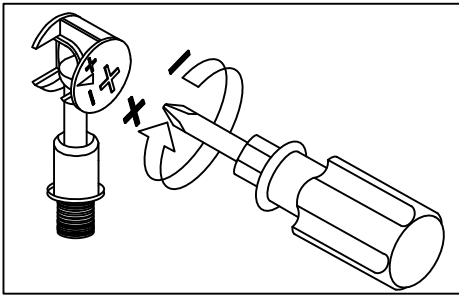
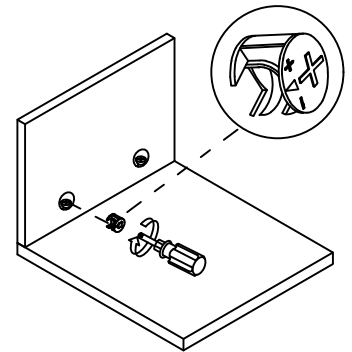
Step1



Step2



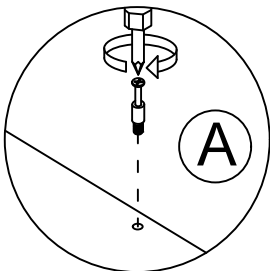
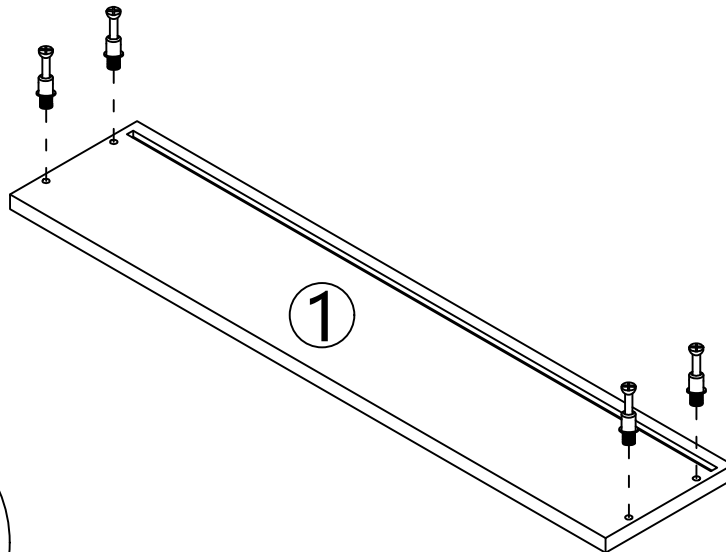
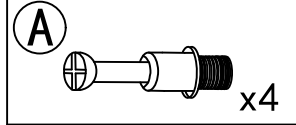
Step3



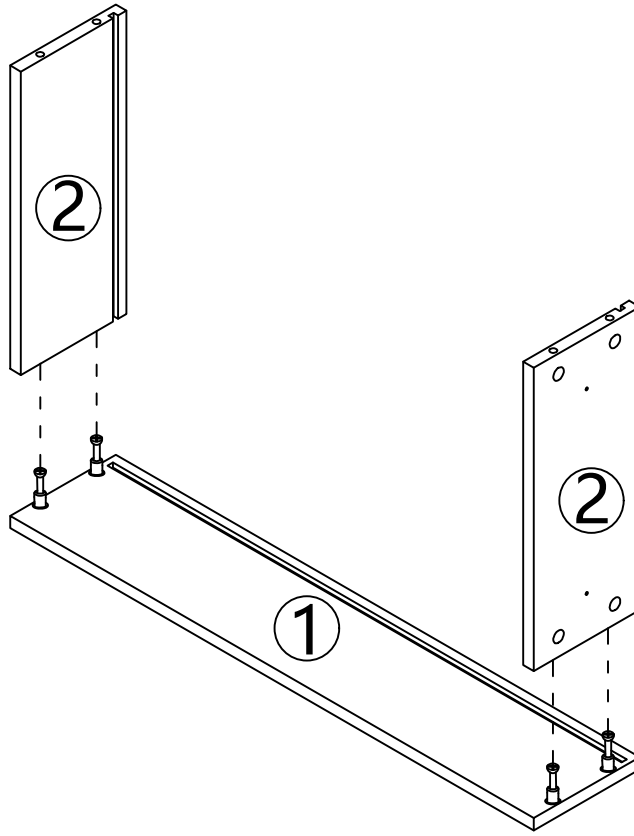
Use a screwdriver to lock in the direction of the "+" sign

Disassemble along the direction of "-" sign

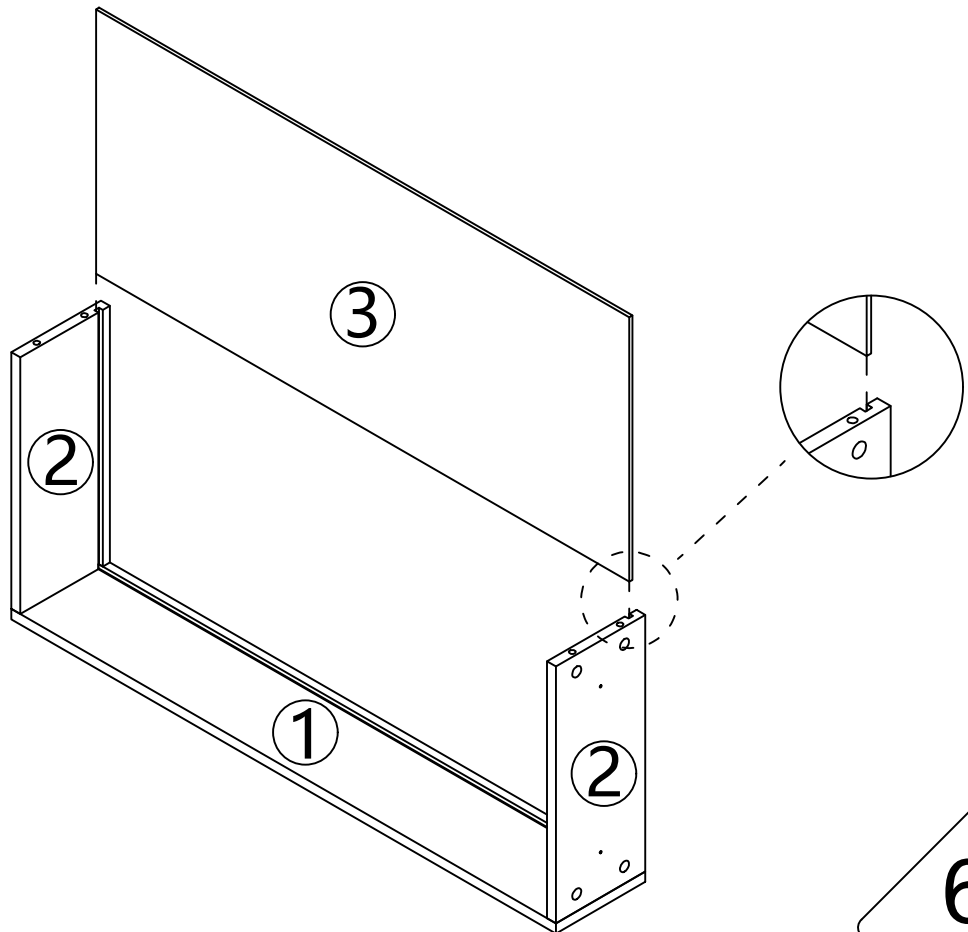
Step 1



Step 2

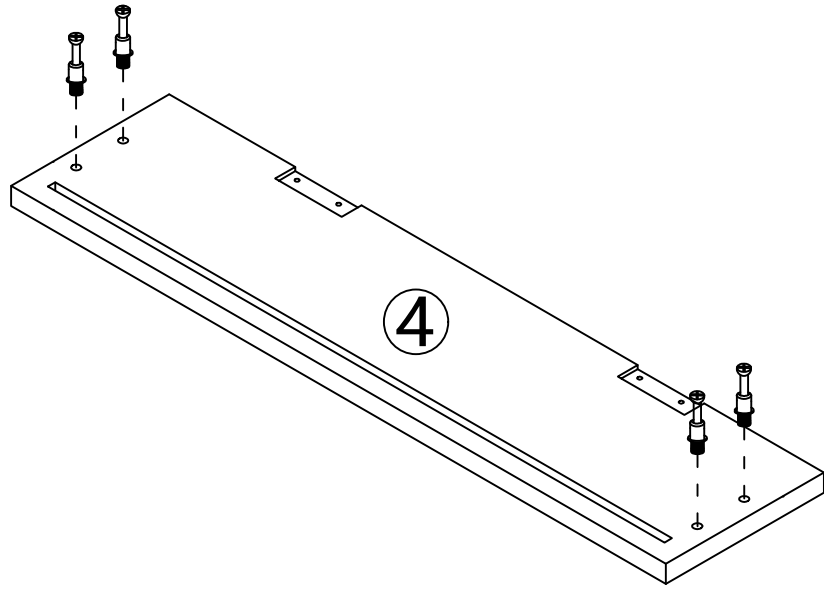
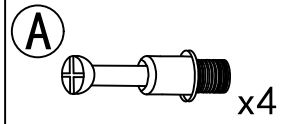


Step 3

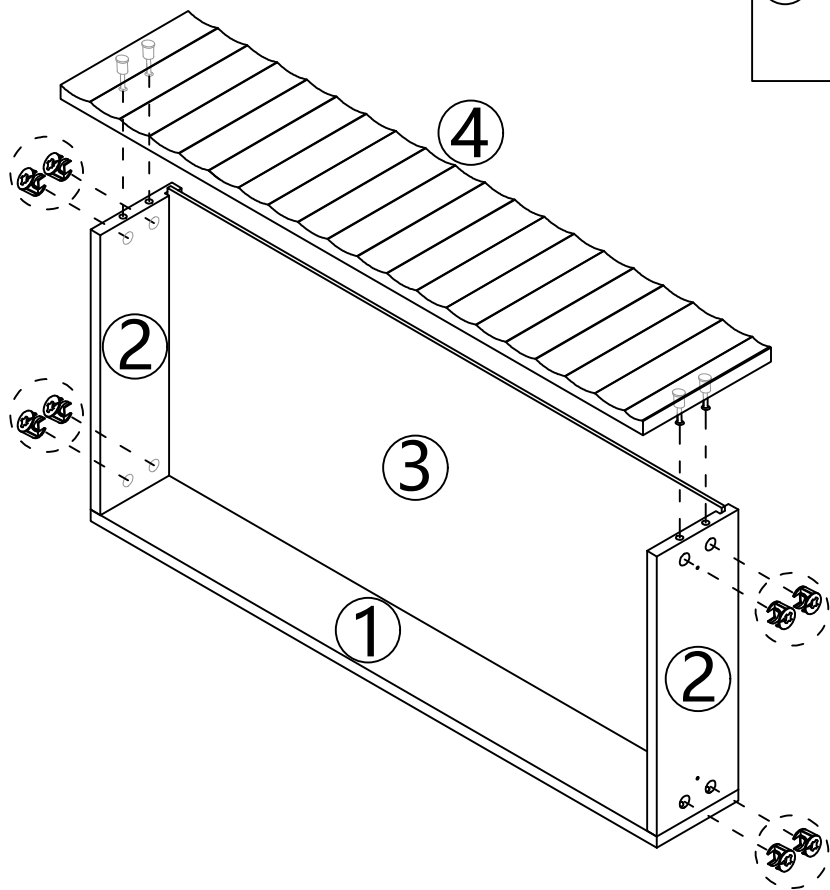
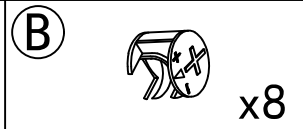


6

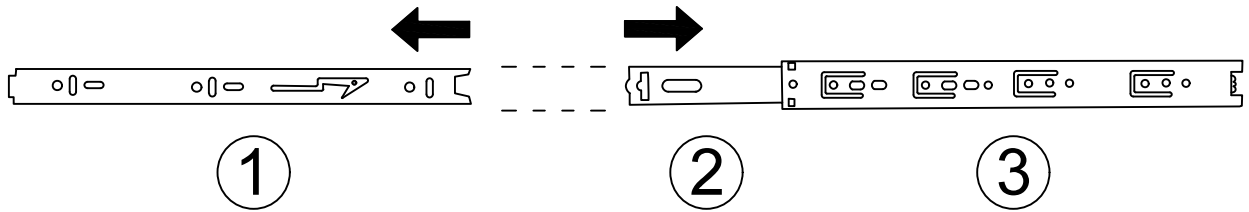
# Step 4



# Step 5

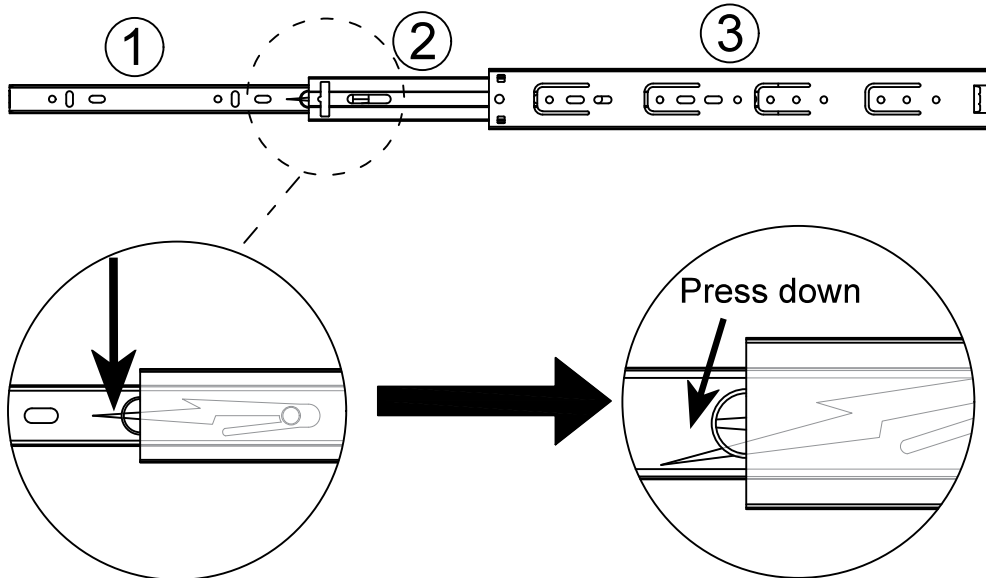


Drawer rail breakdown diagram



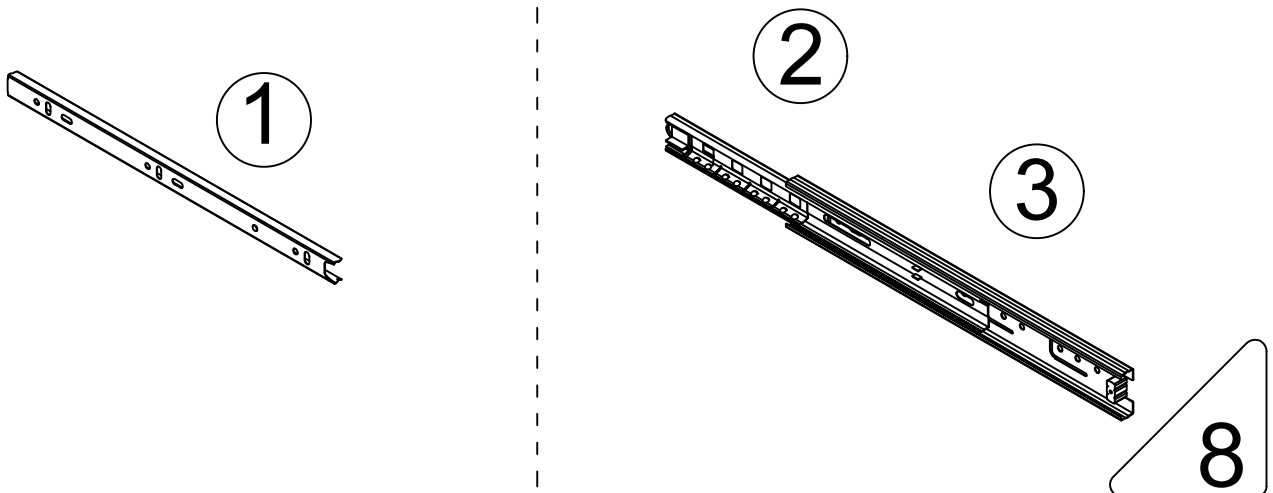
① Dismantle the schematic diagram

Step 1 : Pull the rails apart

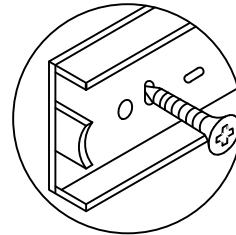
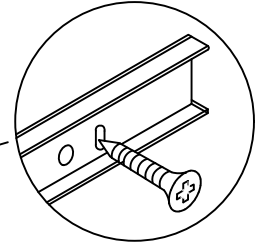
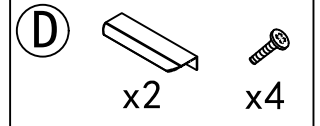
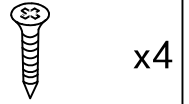
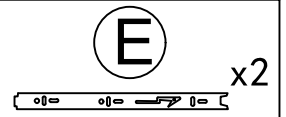
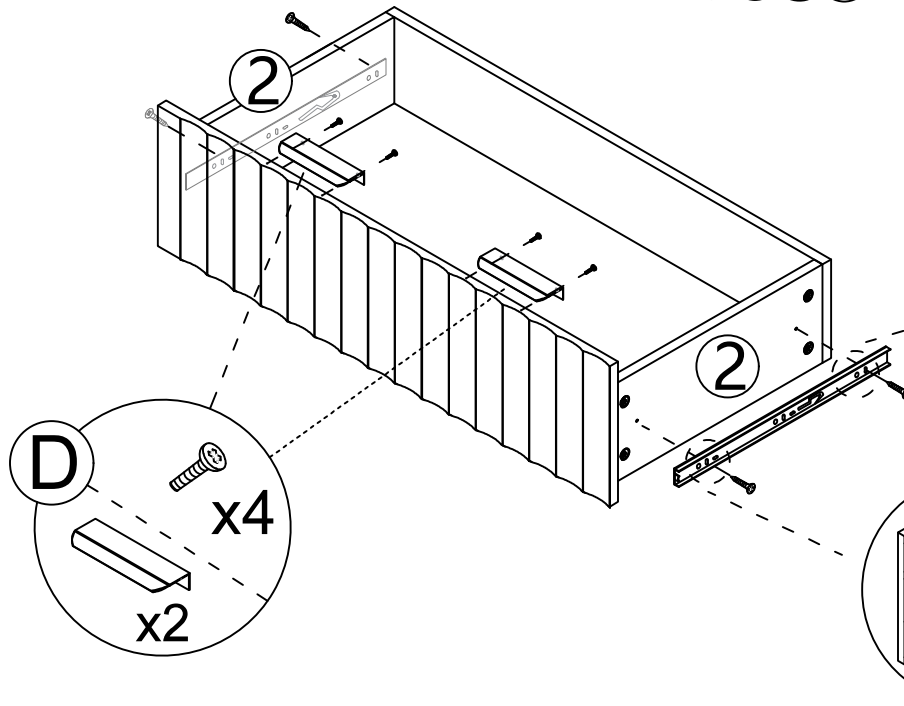


Step 2 : Press the nylon button and pull out ①.

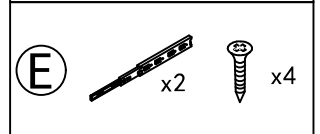
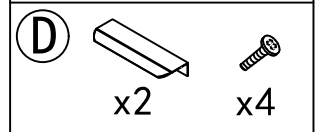
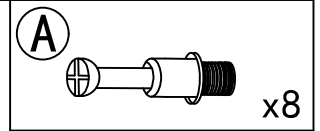
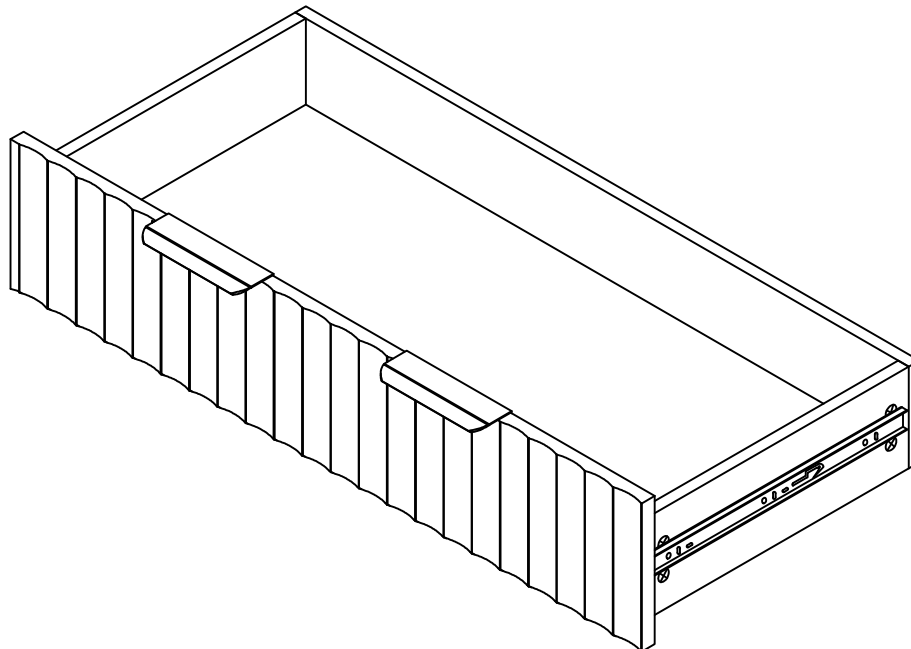
Drawer rail decomposition completed schematic diagram



Step 6

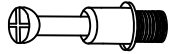

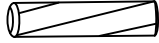







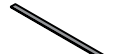





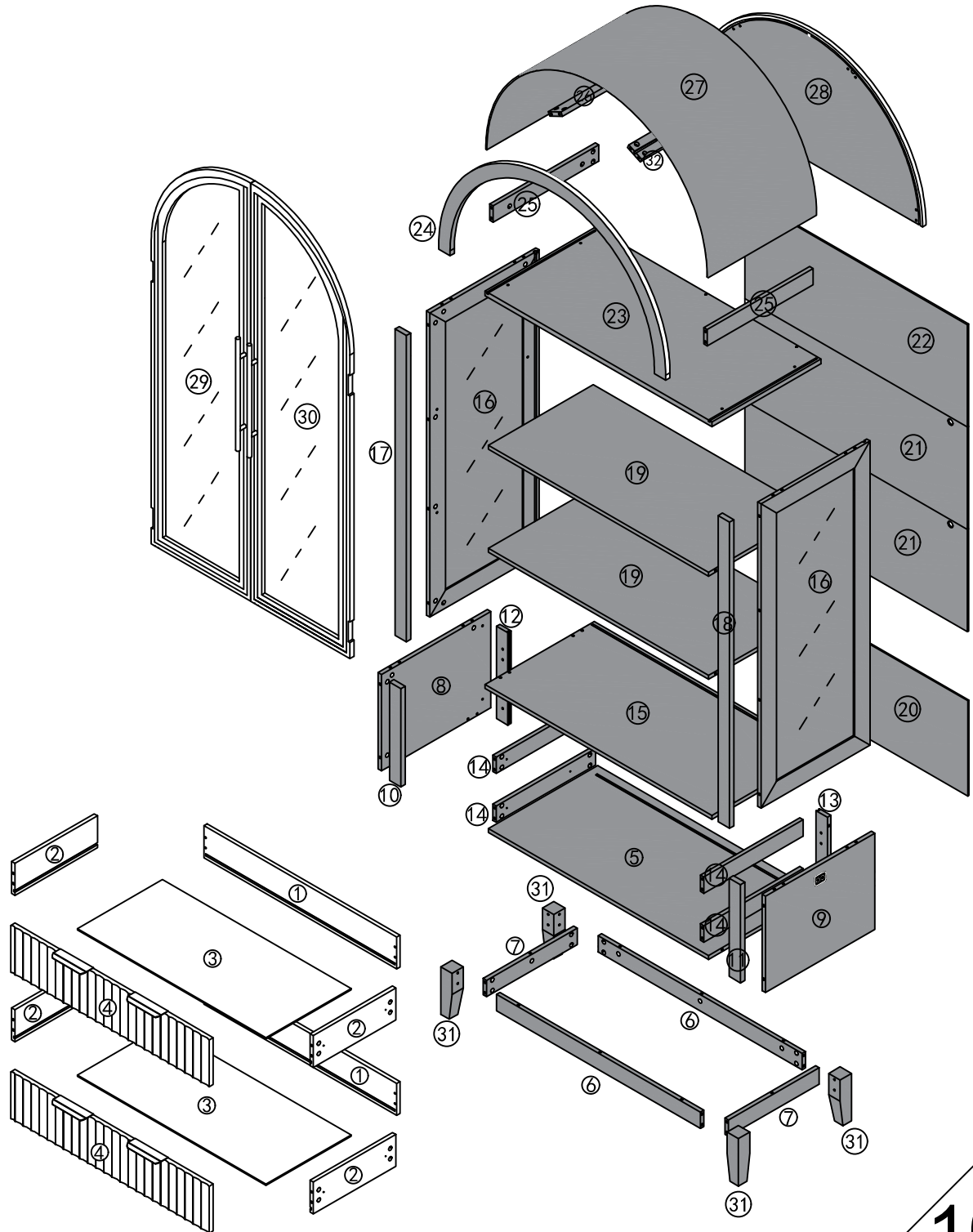
Step 7



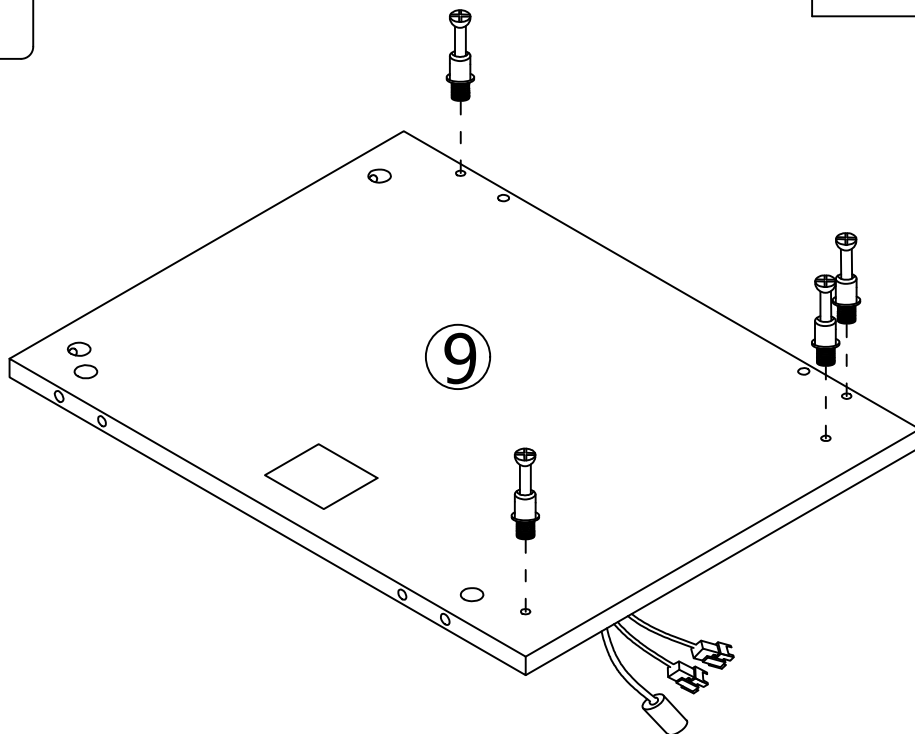
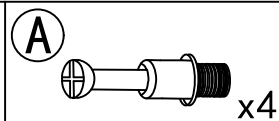
x2

Repeat the drawer installation steps

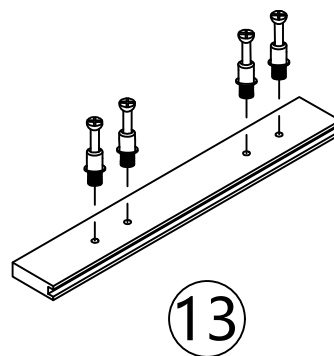
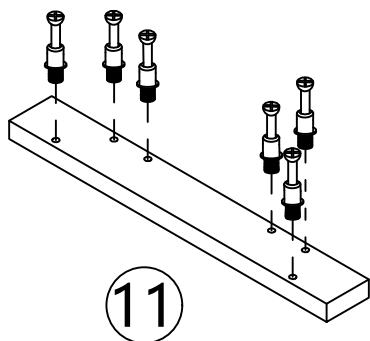
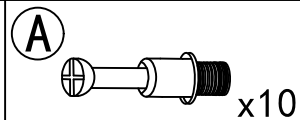
<b>A</b>		103pcs	<b>B</b>		103pcs	<b>C</b>		16pcs					
<b>E</b>		4pcs		12pcs	<b>F</b>		4pcs		16pcs				
<b>G</b>		4pcs	<b>H</b>		16pcs	<b>I</b>		1pcs	<b>J</b>		1pcs		4pcs
<b>O</b>		1pcs		2pcs									




Step 8

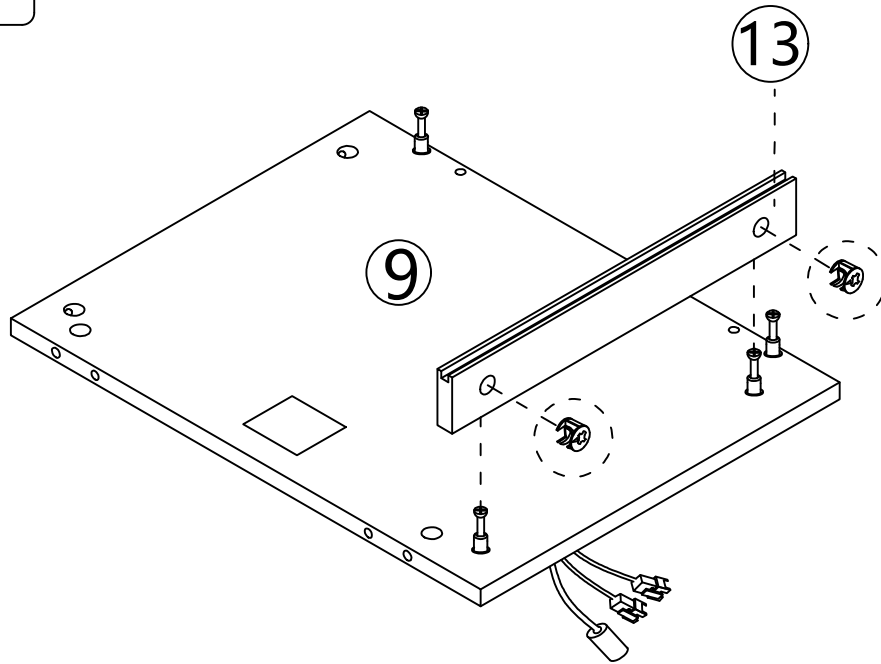


Step 9



# Step 10

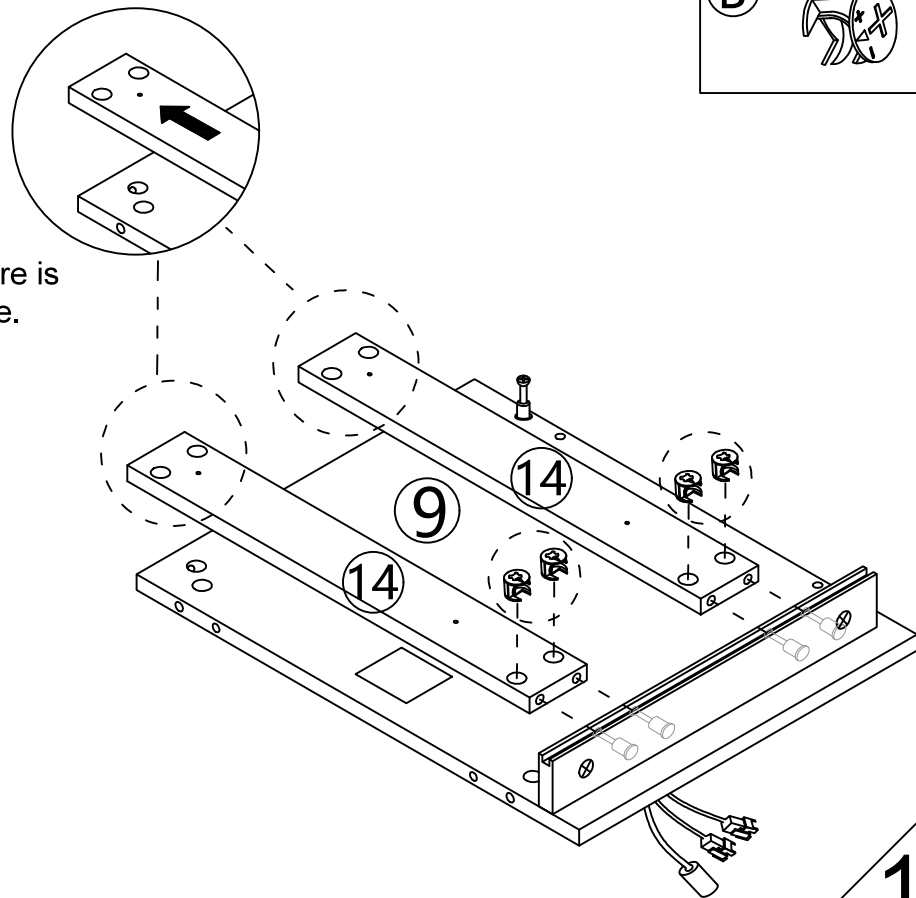
(B)  x2



# Step 11


(B)  x4

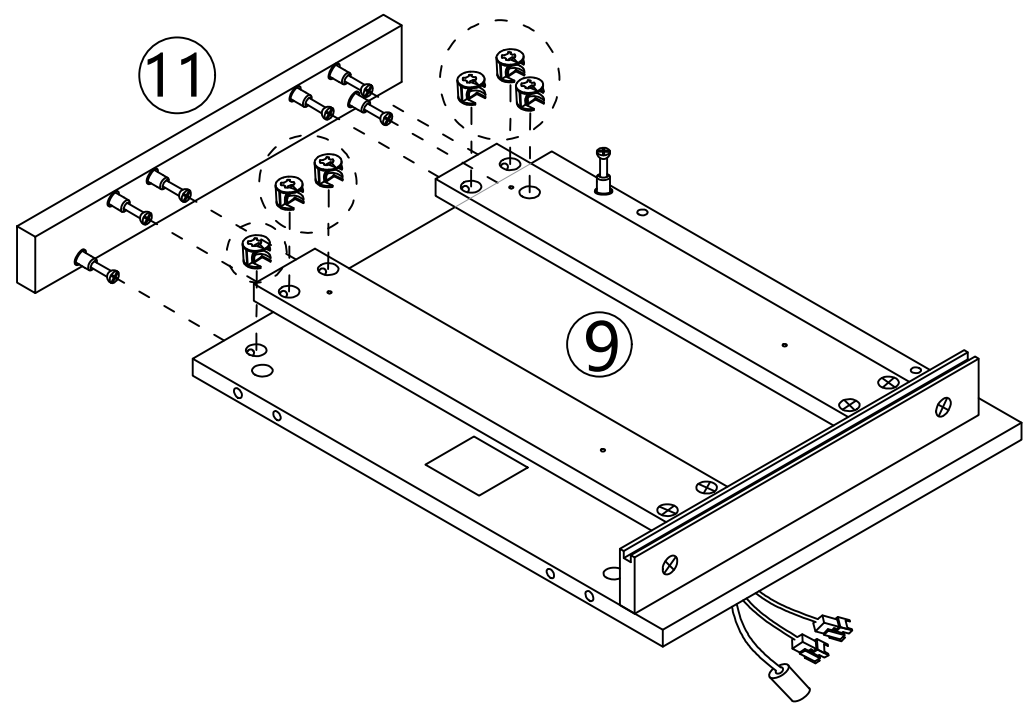
Note: The guiding hole here is relatively close to the edge.





12

# Step 12

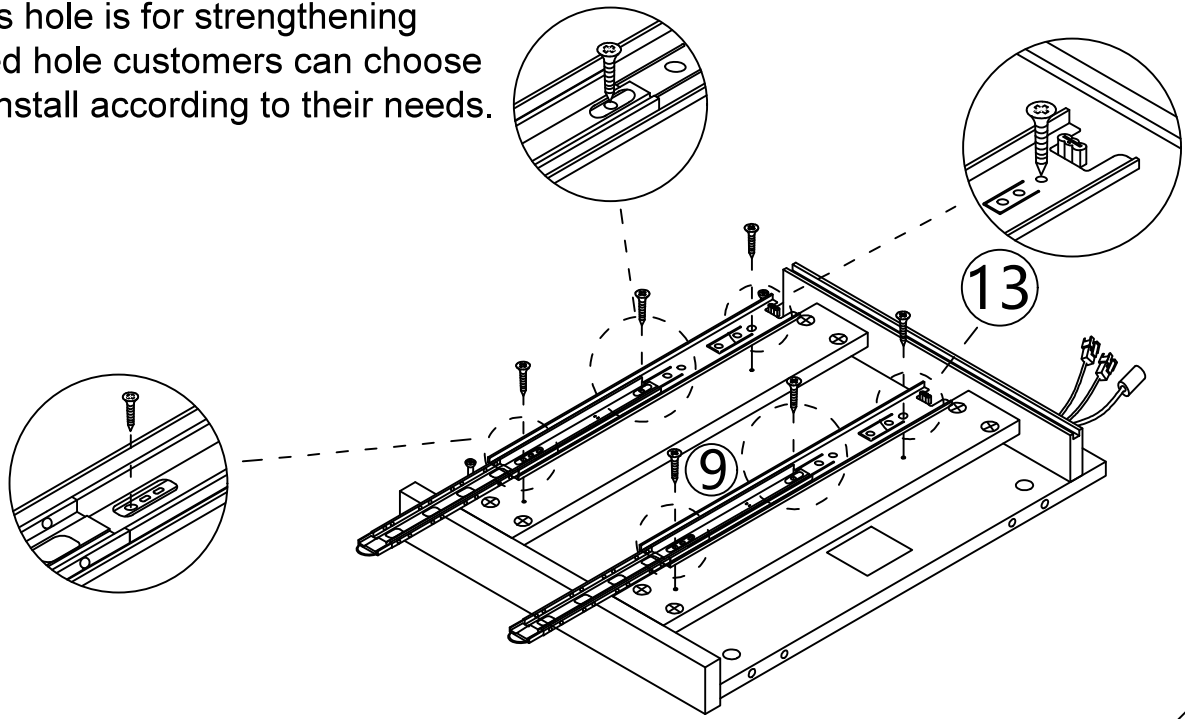
**(B)**  x6



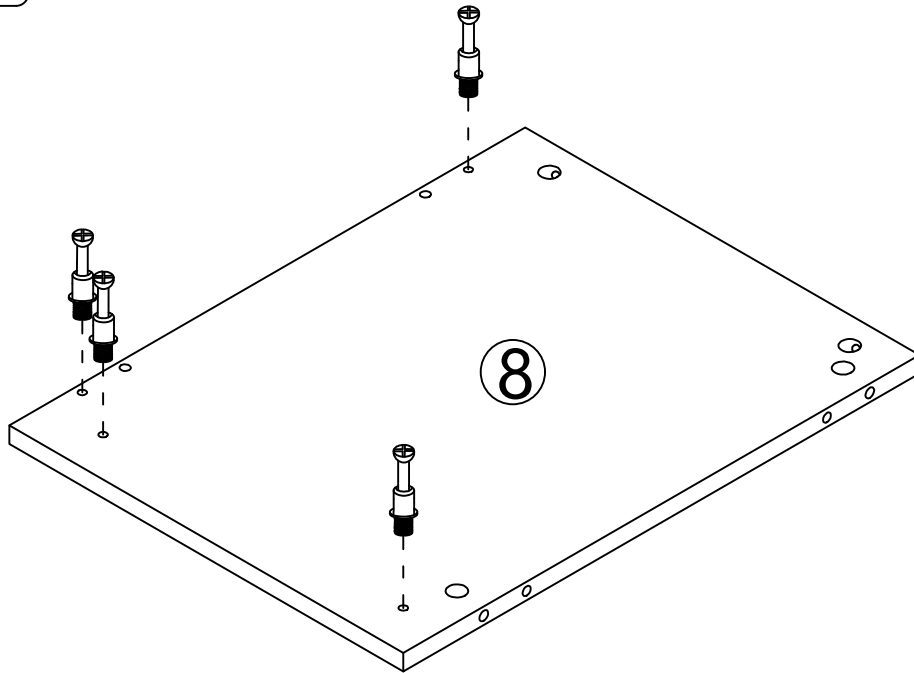
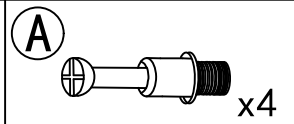
# Step 13

**(E)**  x2  x6

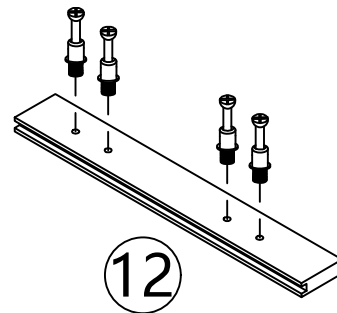
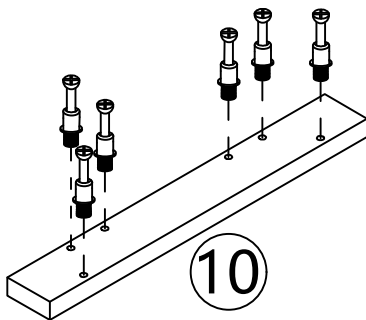
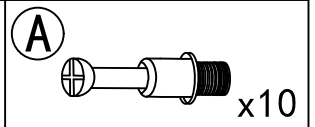
This hole is for strengthening fixed hole customers can choose to install according to their needs.




Step 14

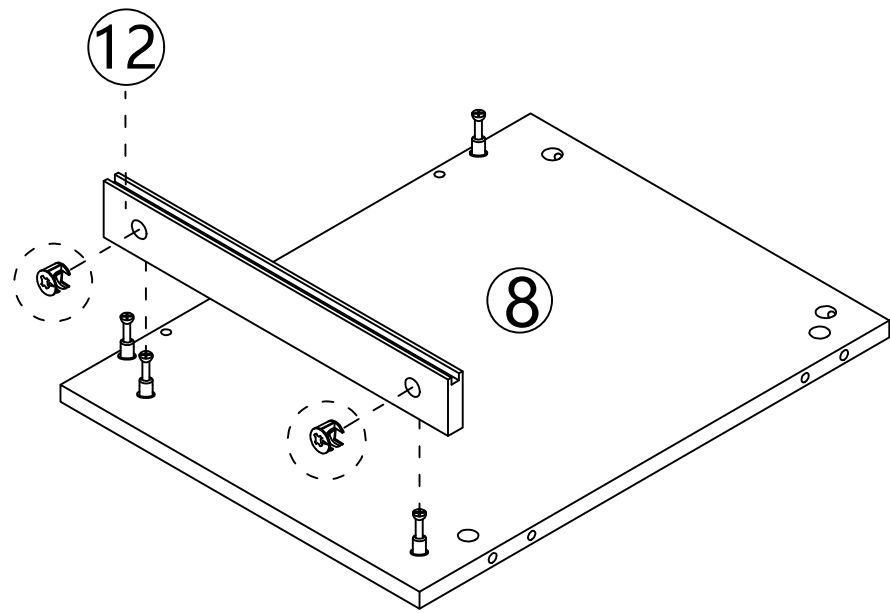


Step 15




# Step 16

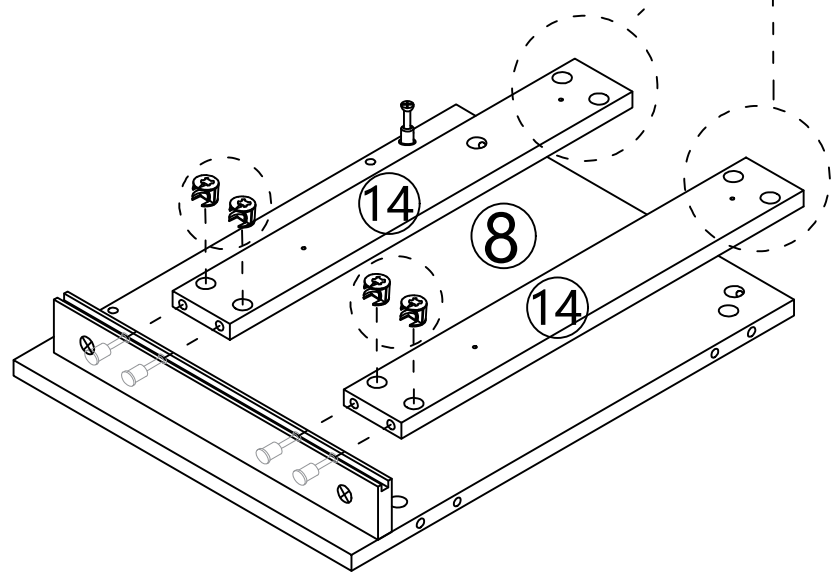
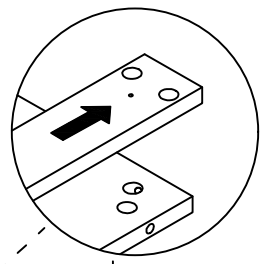
(B)  x2



# Step 17

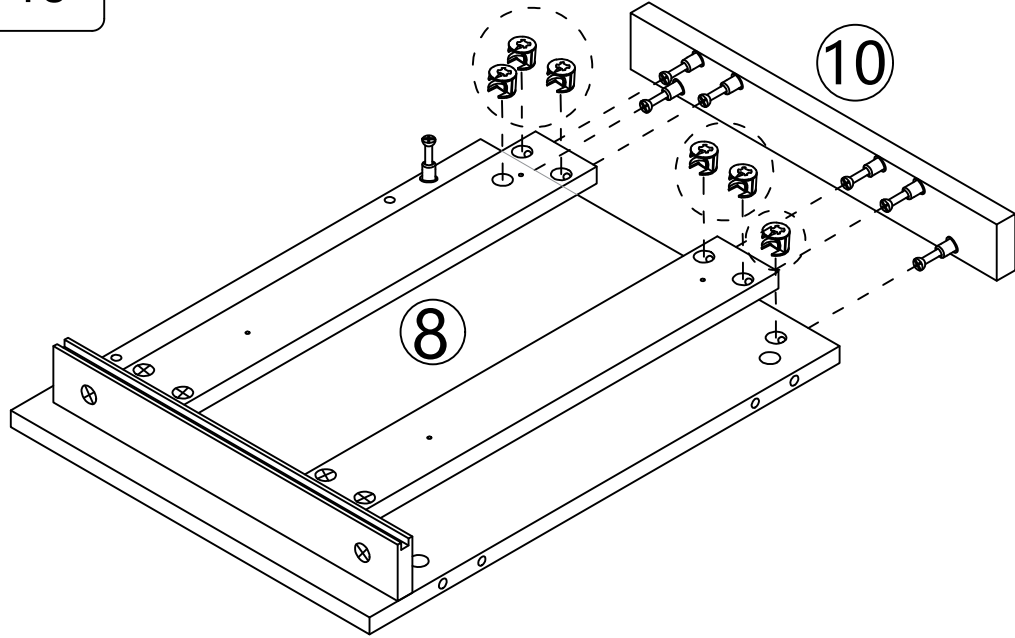
(B)  x4

Note: The guiding hole here is relatively close to the edge.





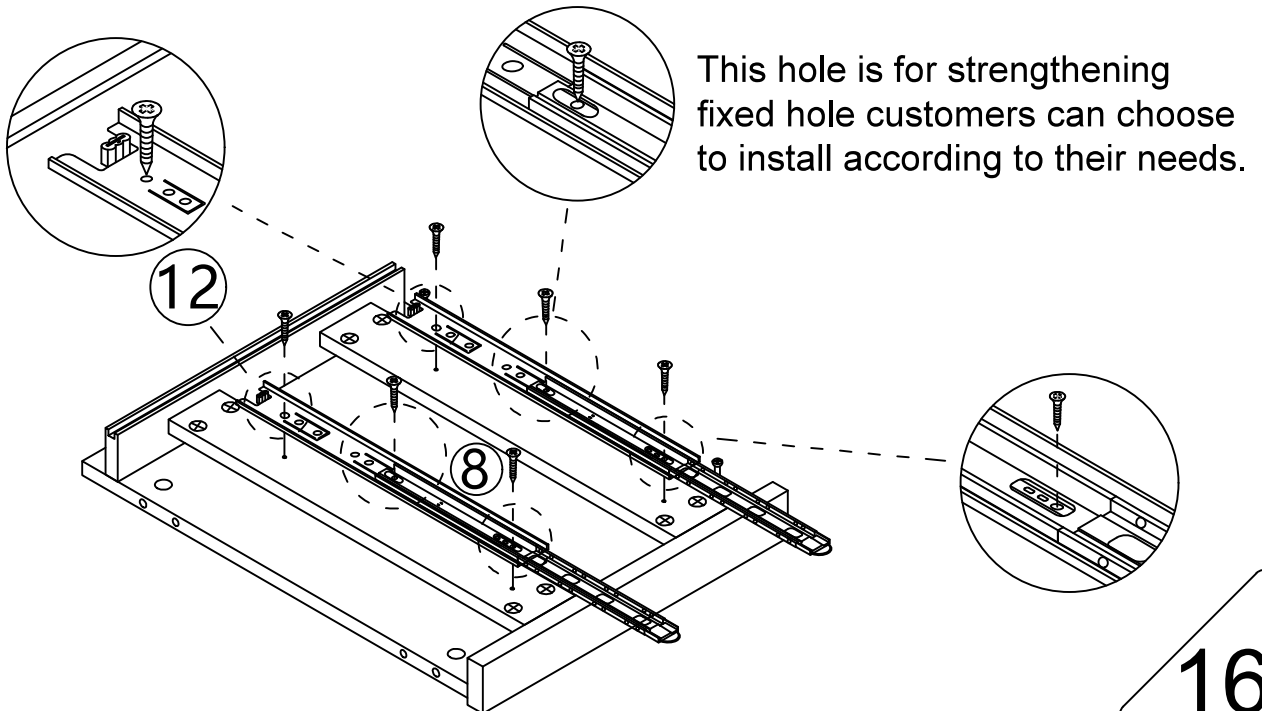
# Step 18

**B**  x6

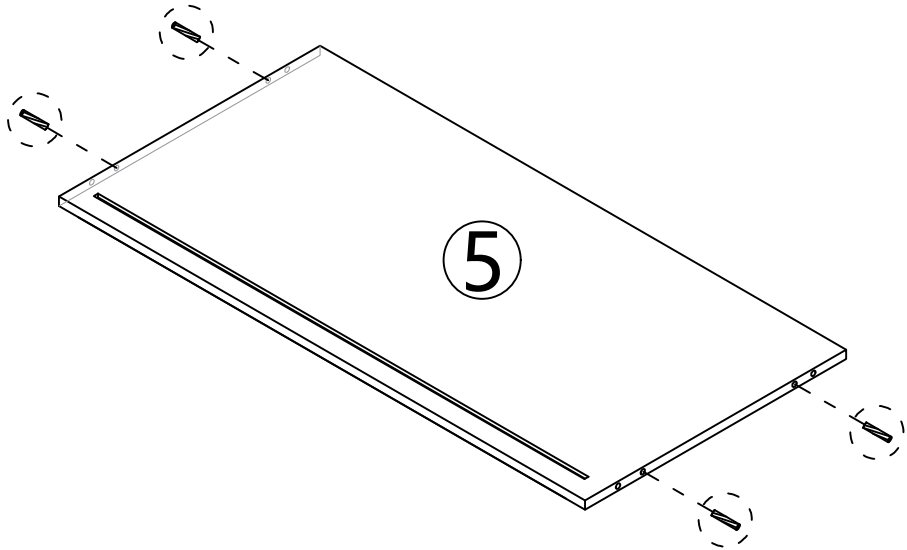
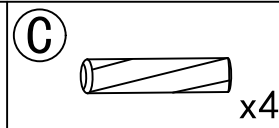


# Step 19

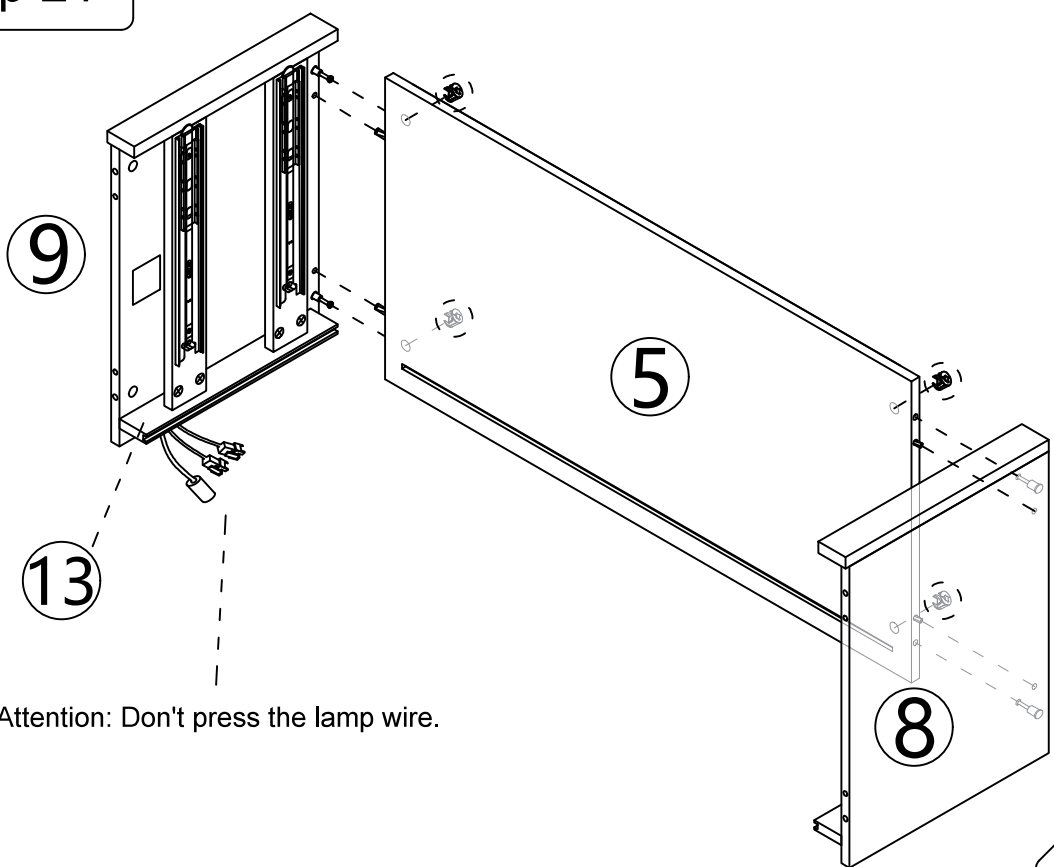
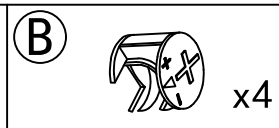
**E**  x2  x6



# Step 20

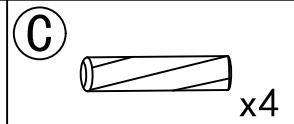
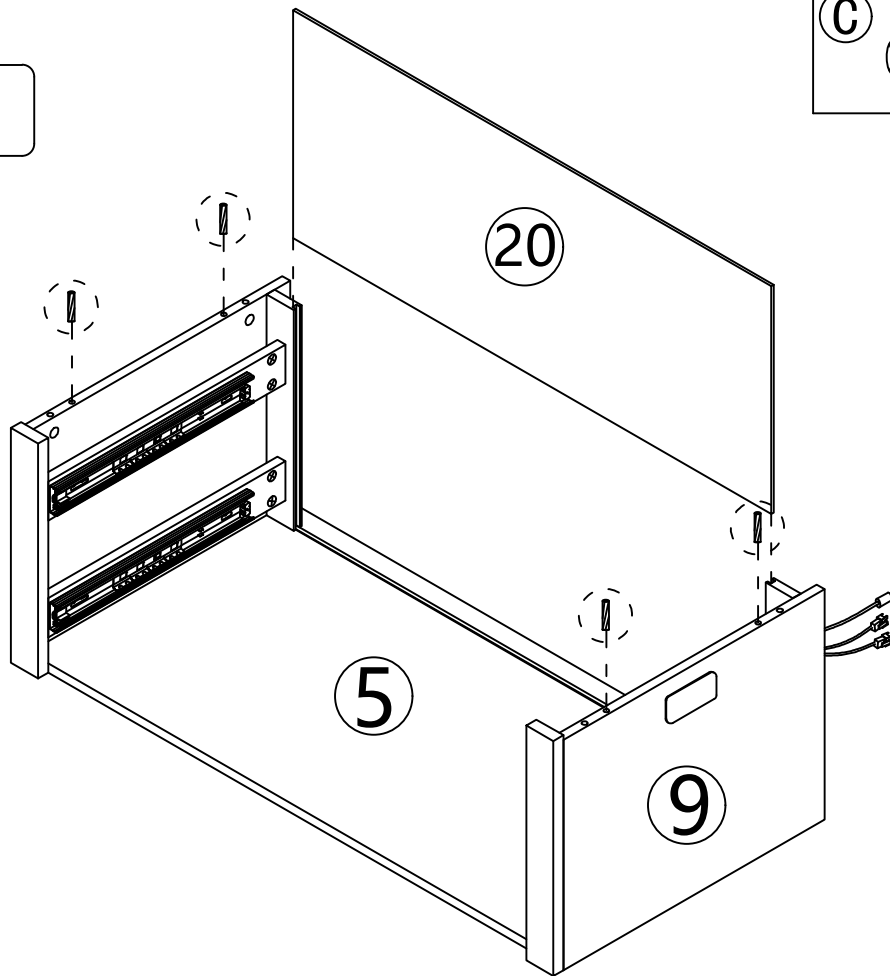


# Step 21

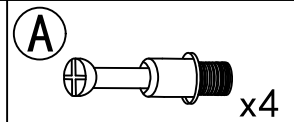
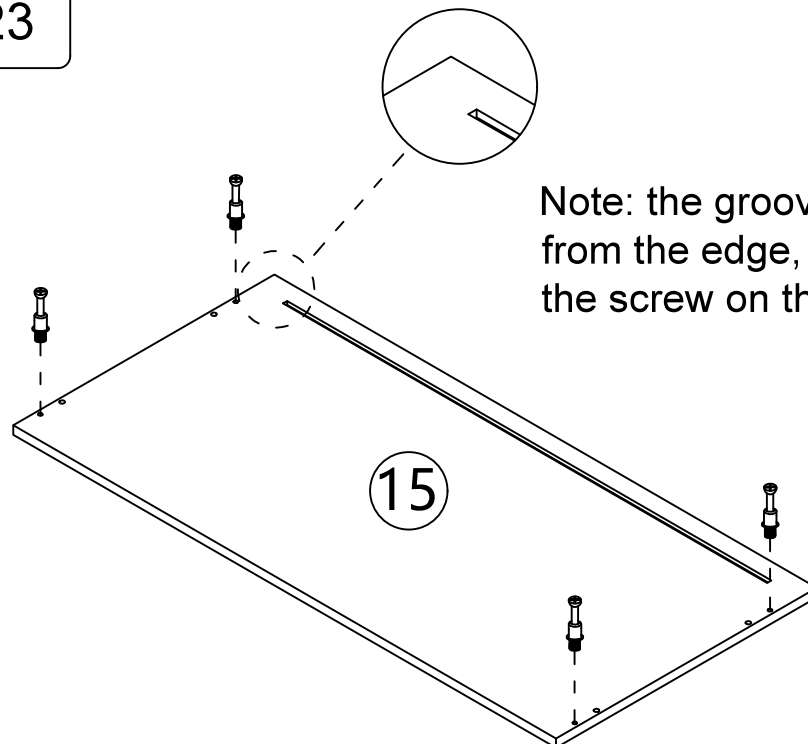


Attention: Don't press the lamp wire.

## Step 22

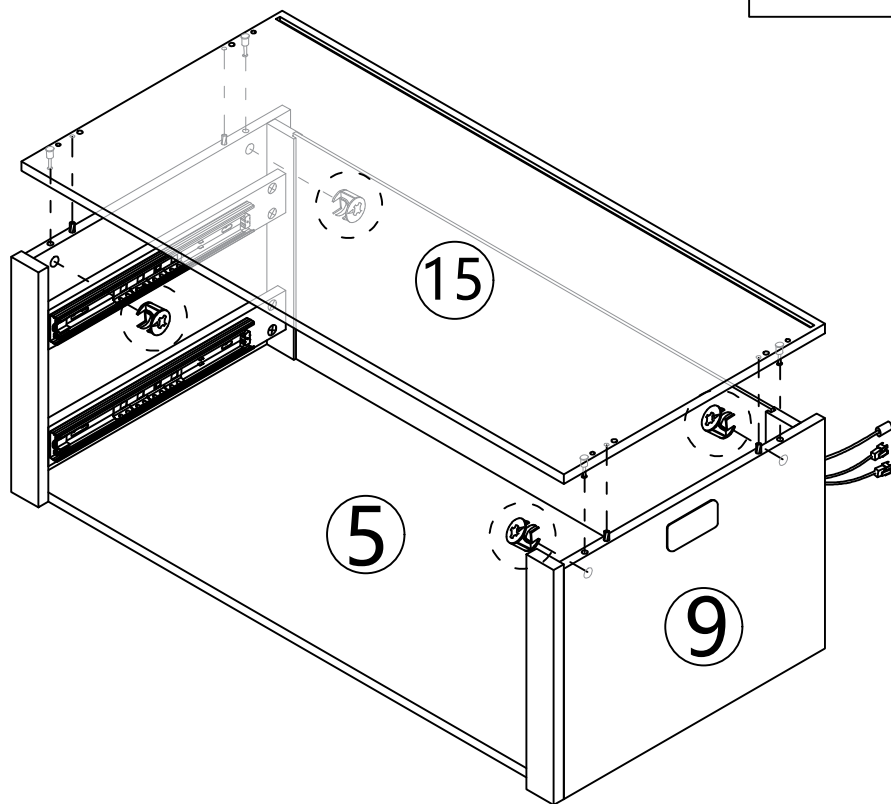
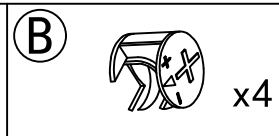


## Step 23

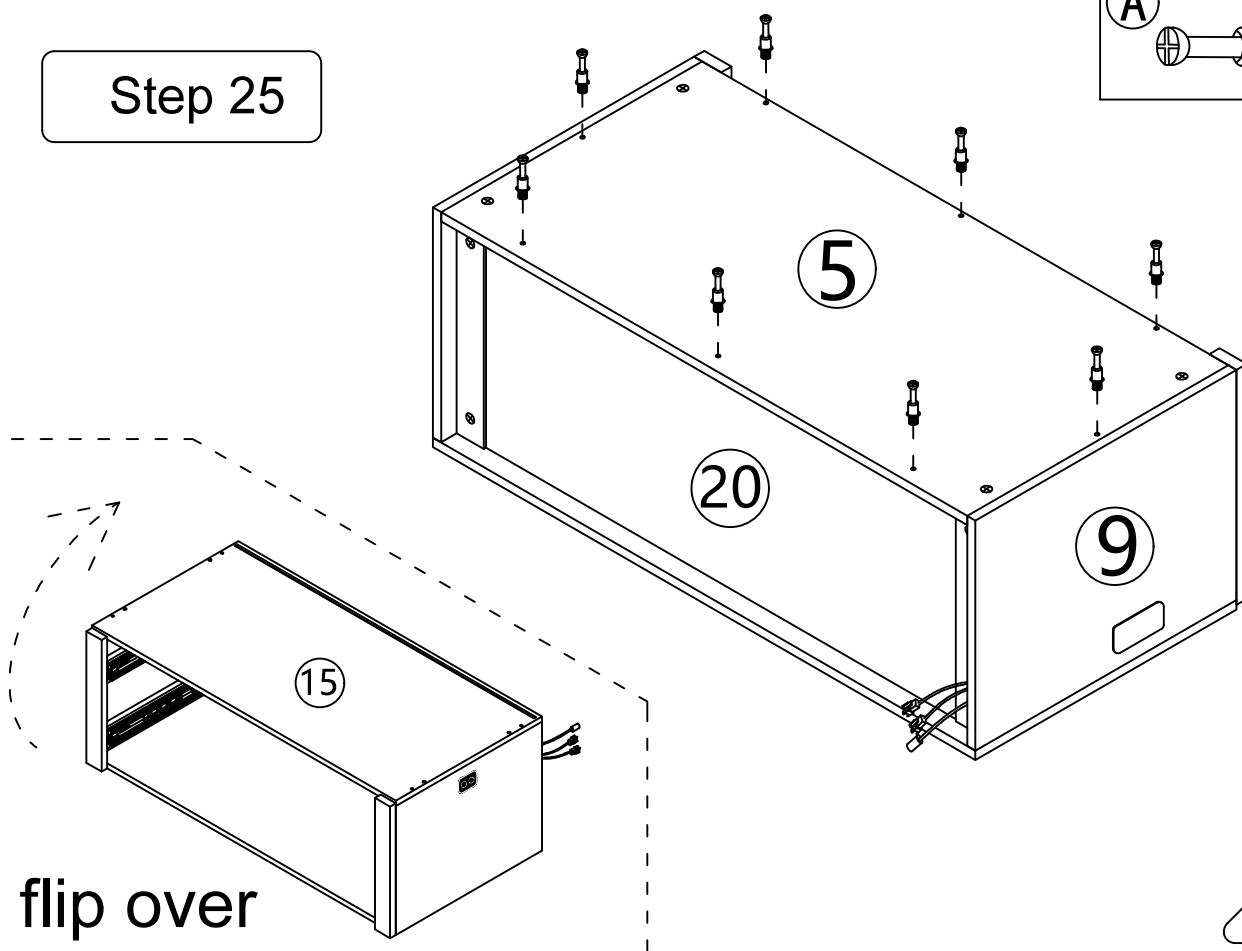
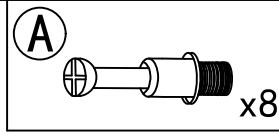


Note: the groove here is far from the edge, so don't install the screw on the wrong side.

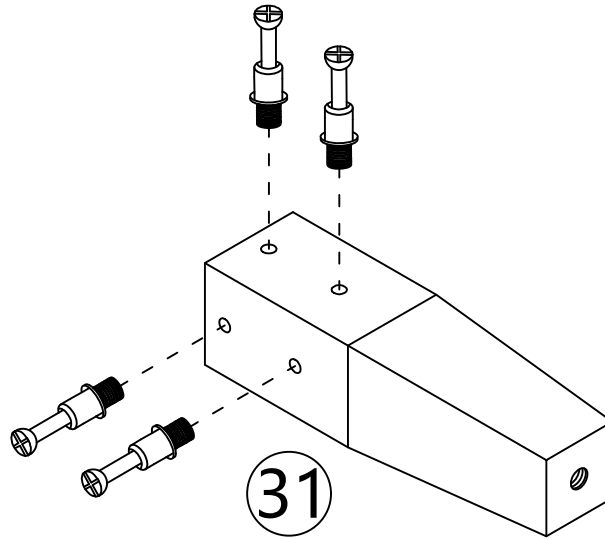
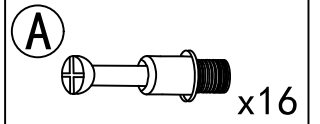
Step 24



Step 25

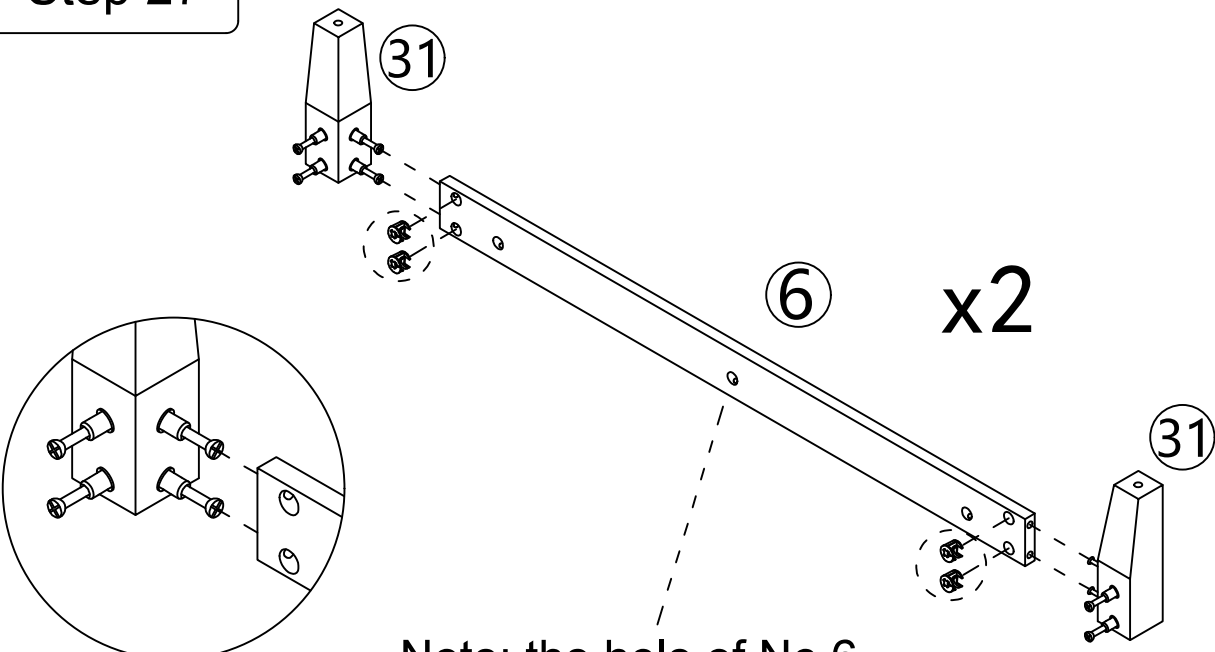


Step 26



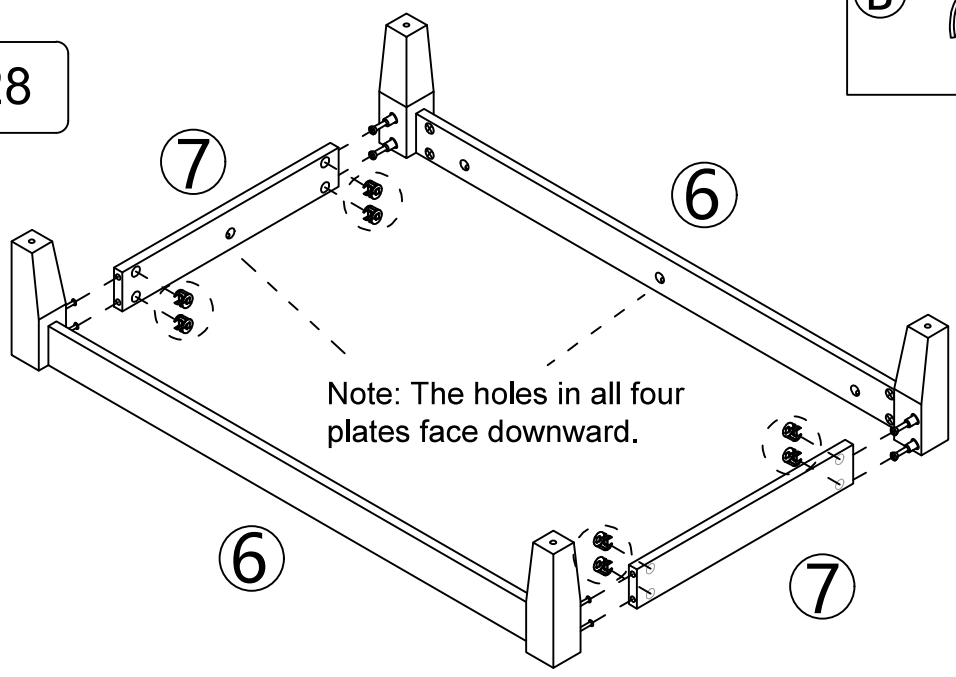
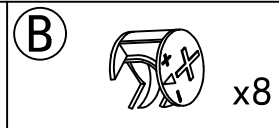
**31** x4

Step 27



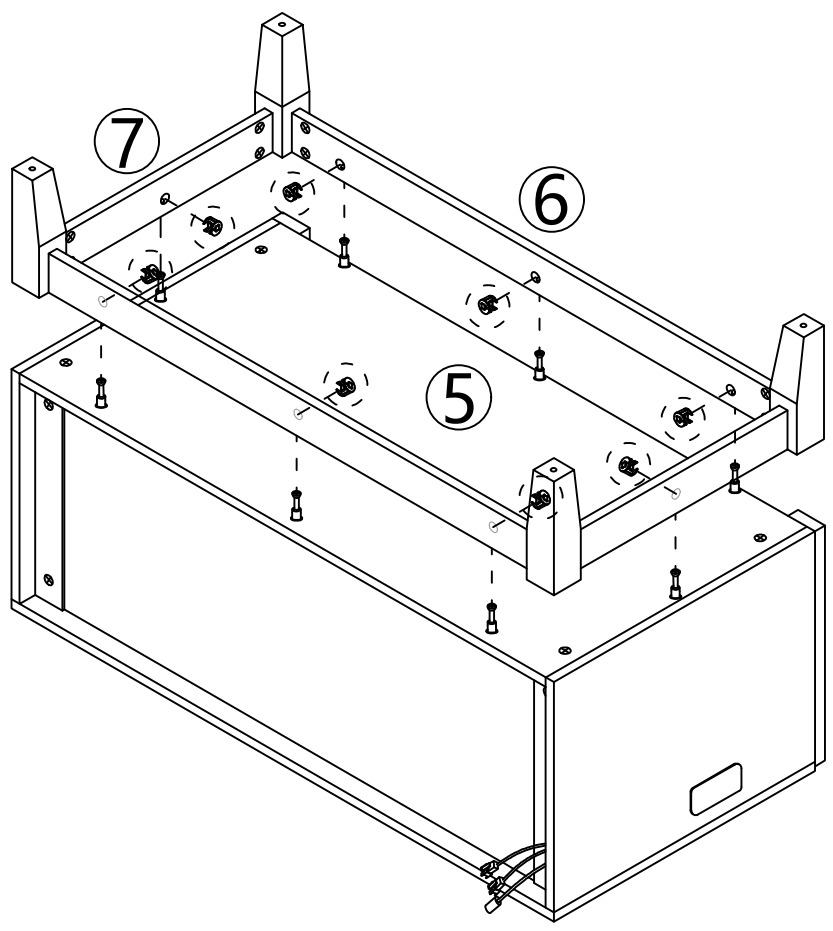
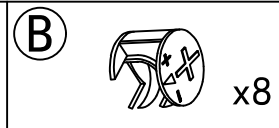
Note: the hole of No.6 plate faces downwards.

# Step 28

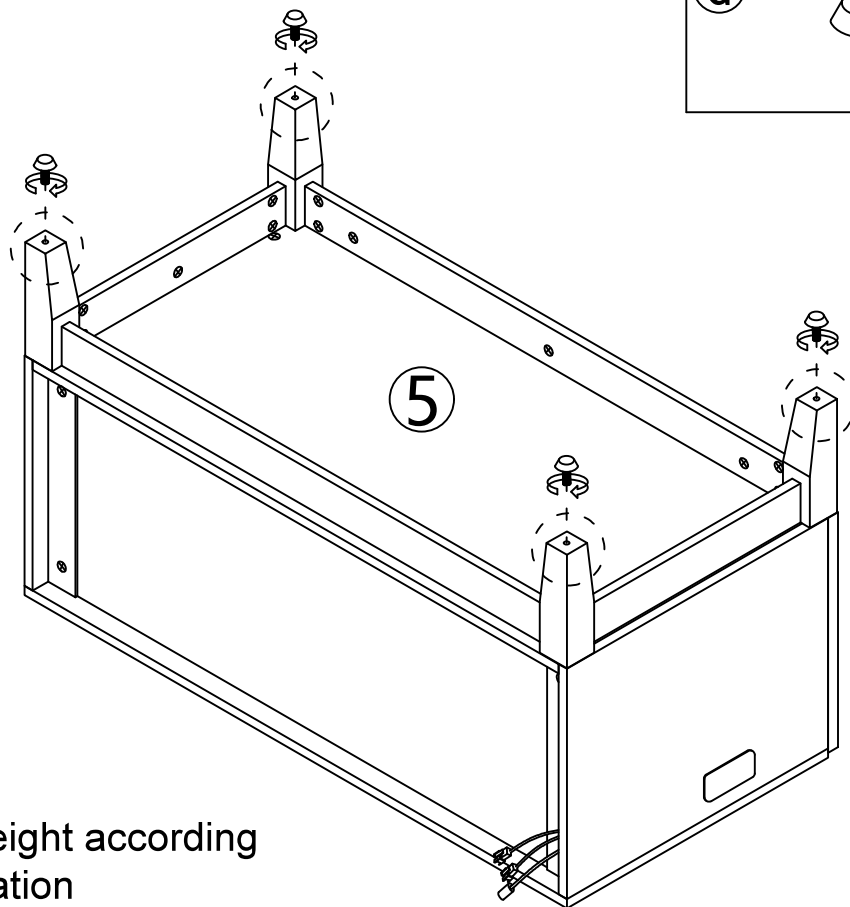
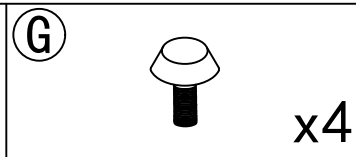


Note: The holes in all four plates face downward.

# Step 29

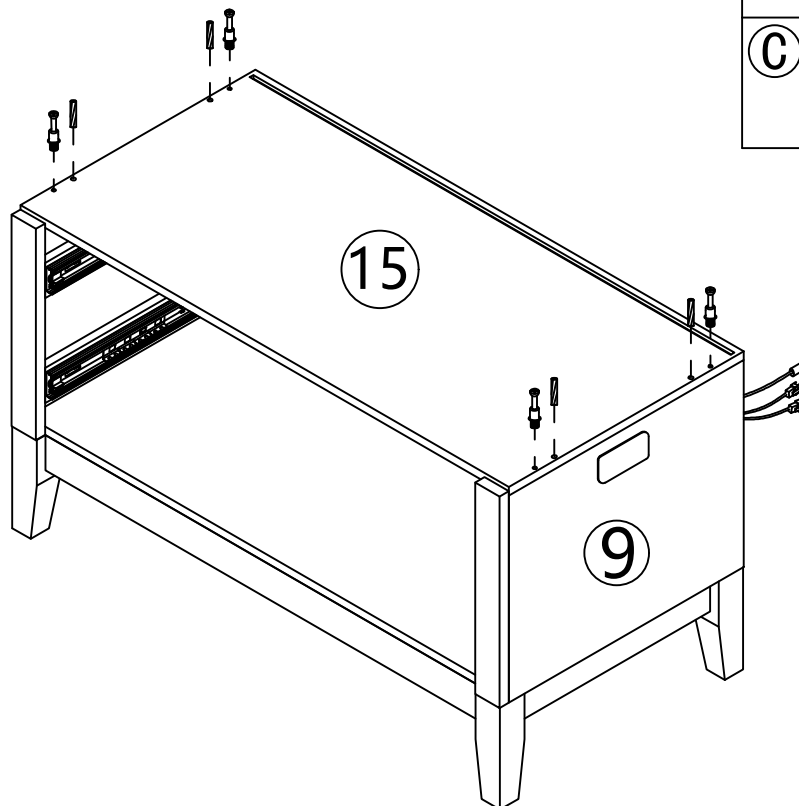
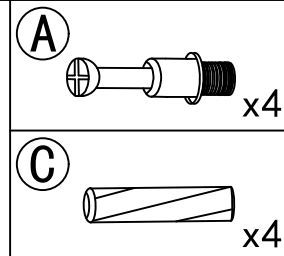


# Step 30

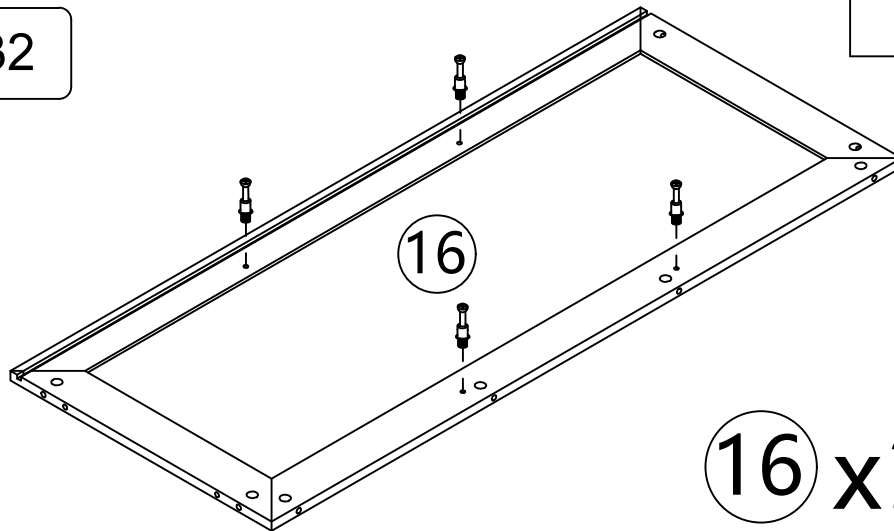
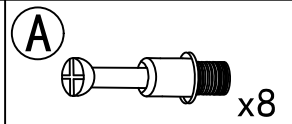


Adjust the foot height according to the actual situation

# Step 31

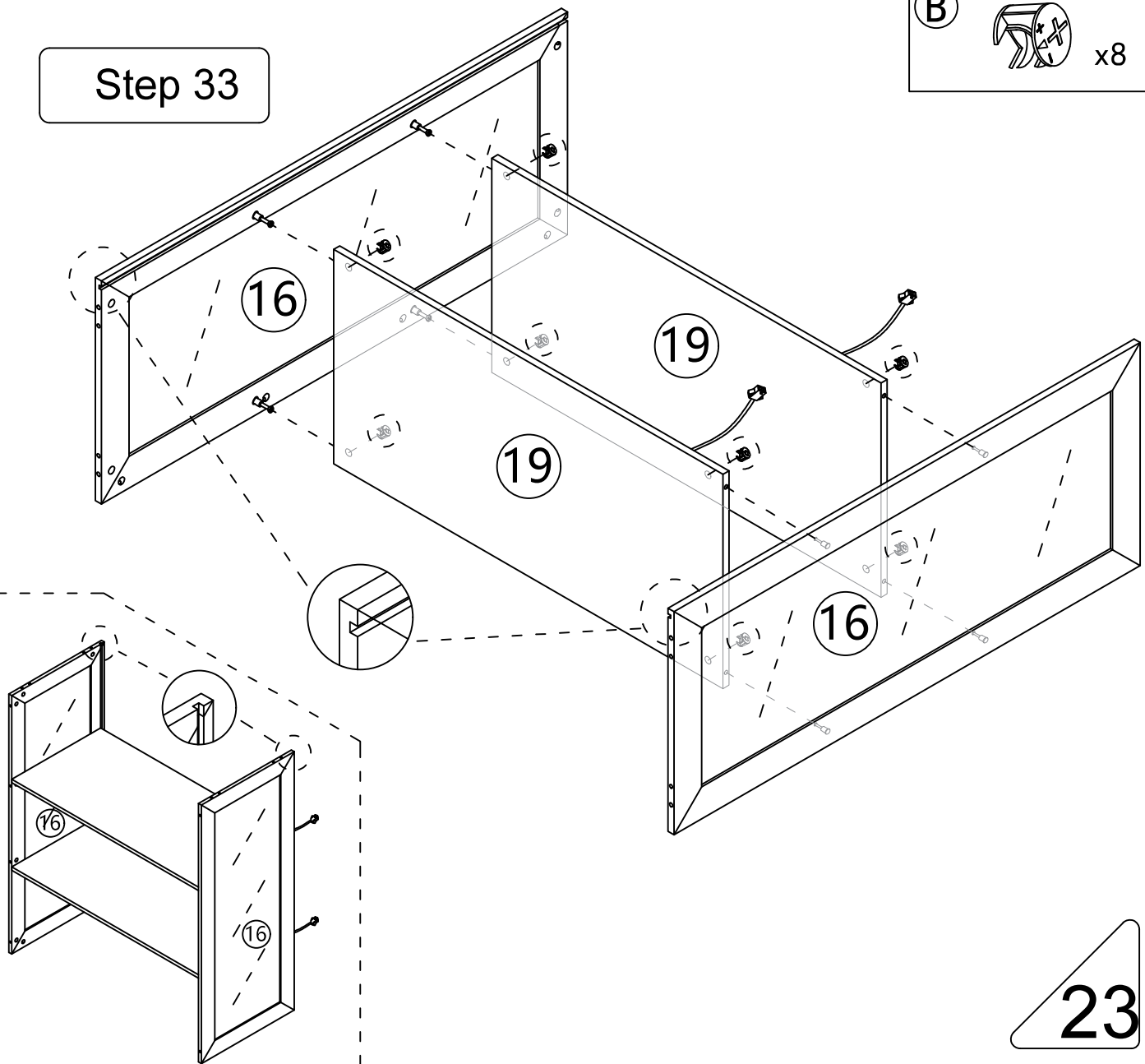


Step 32



16 x 2

Step 33

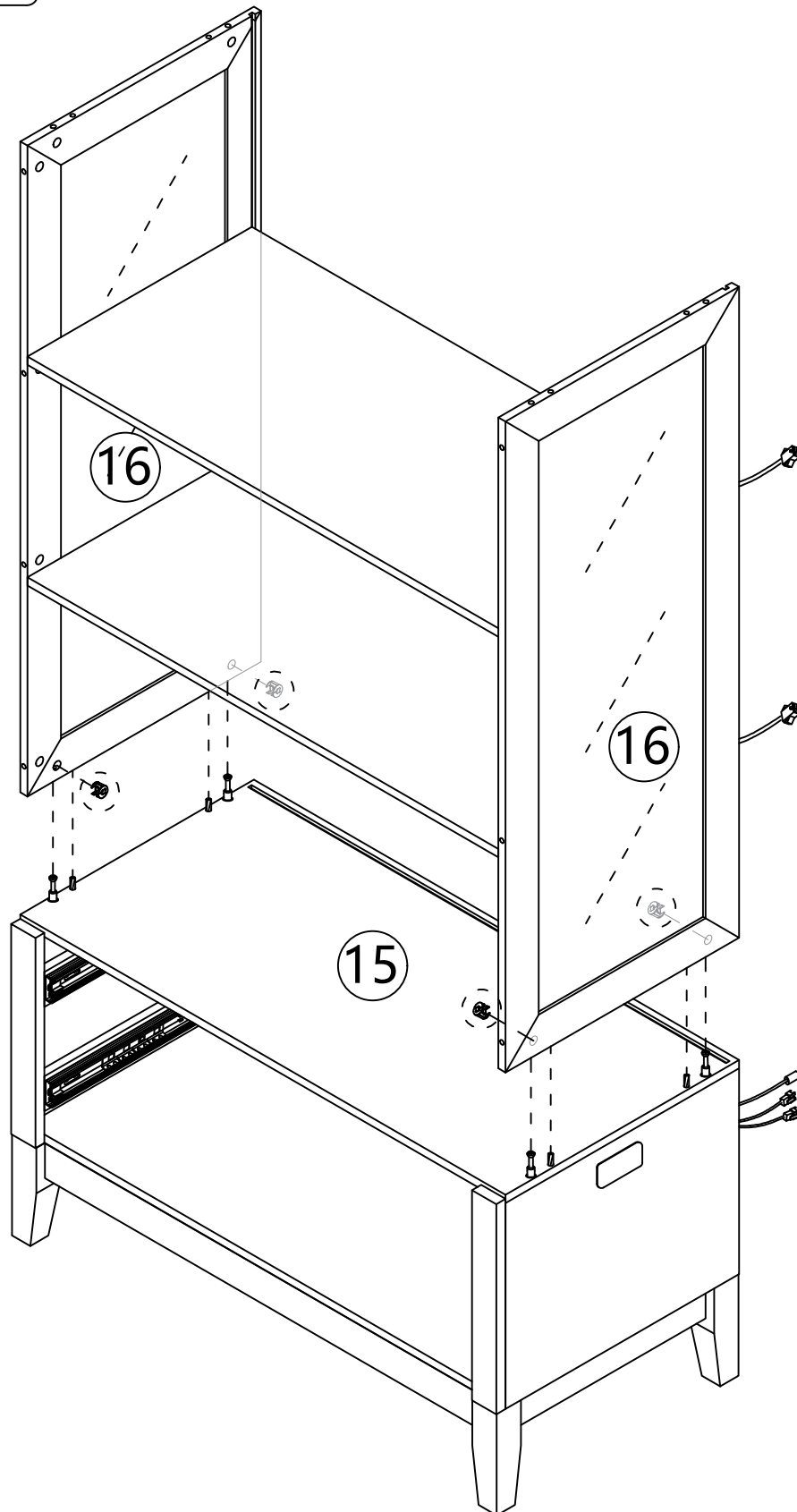


Step 34

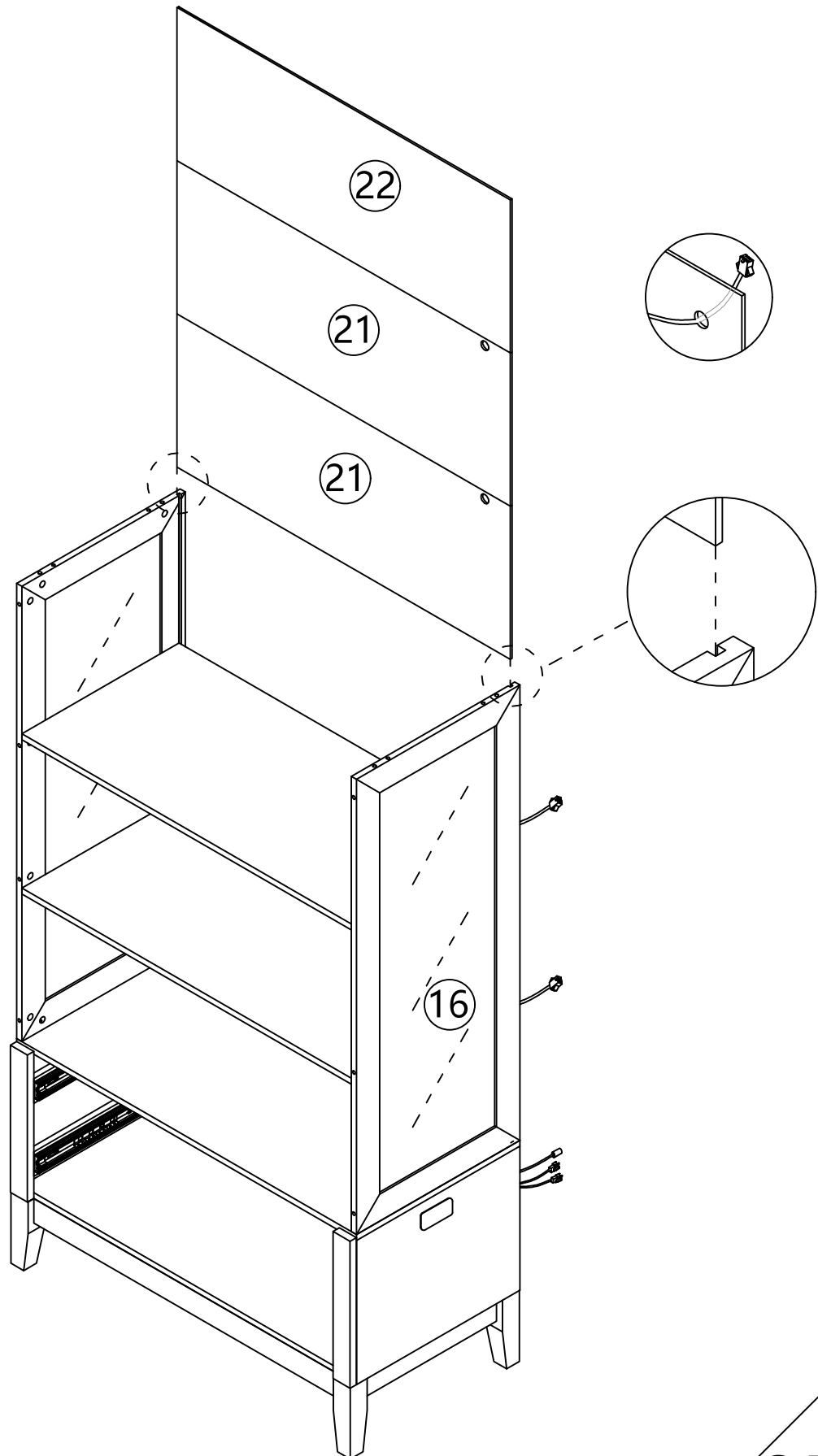
(B)



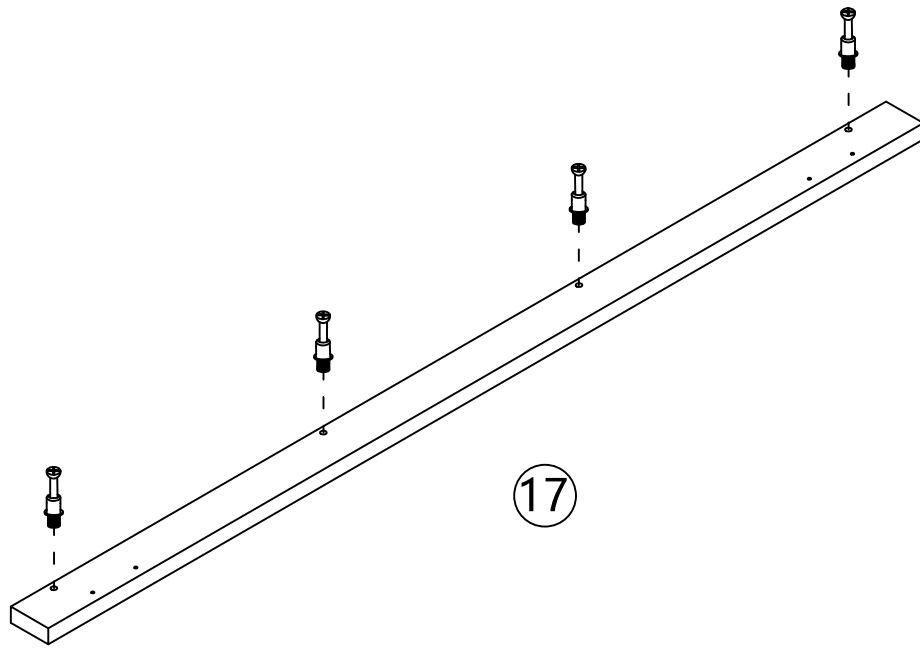
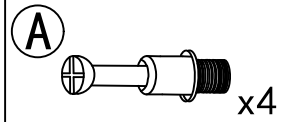
x4



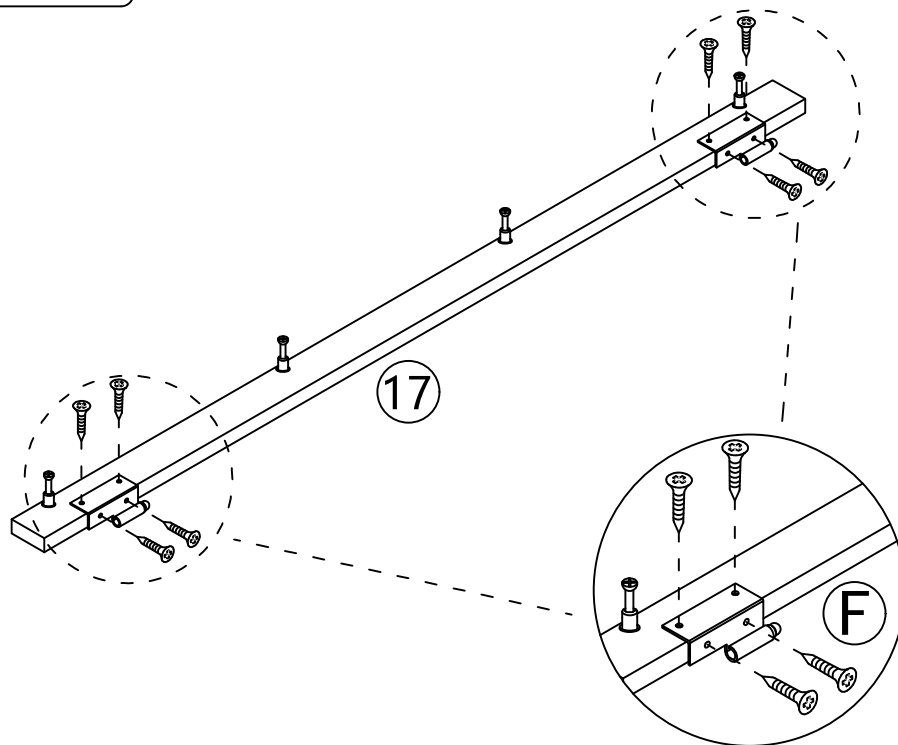
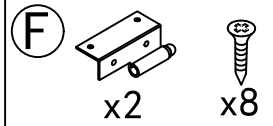
Step 35



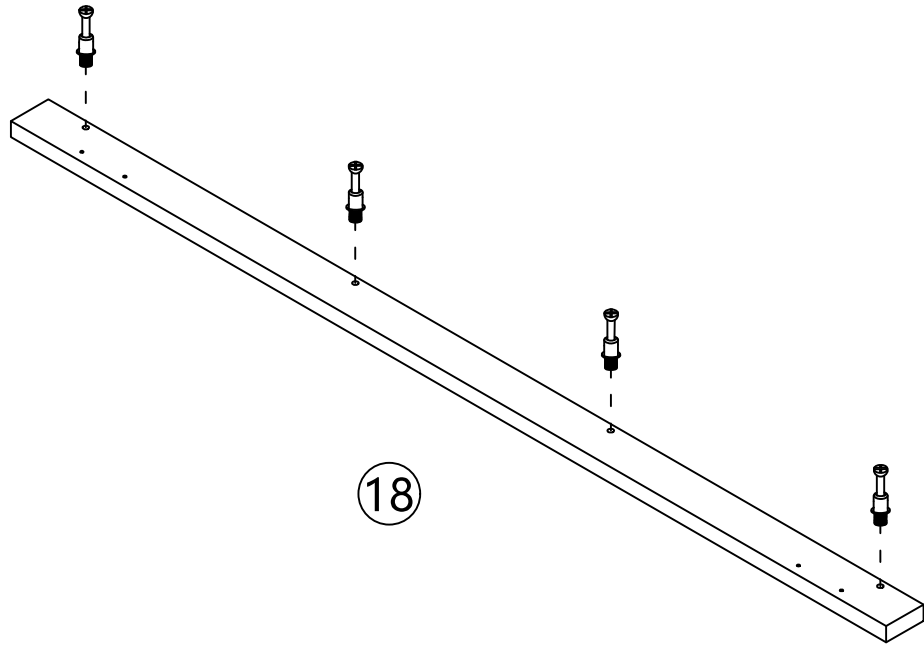
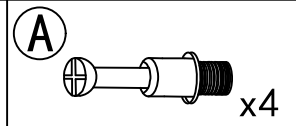
Step 36



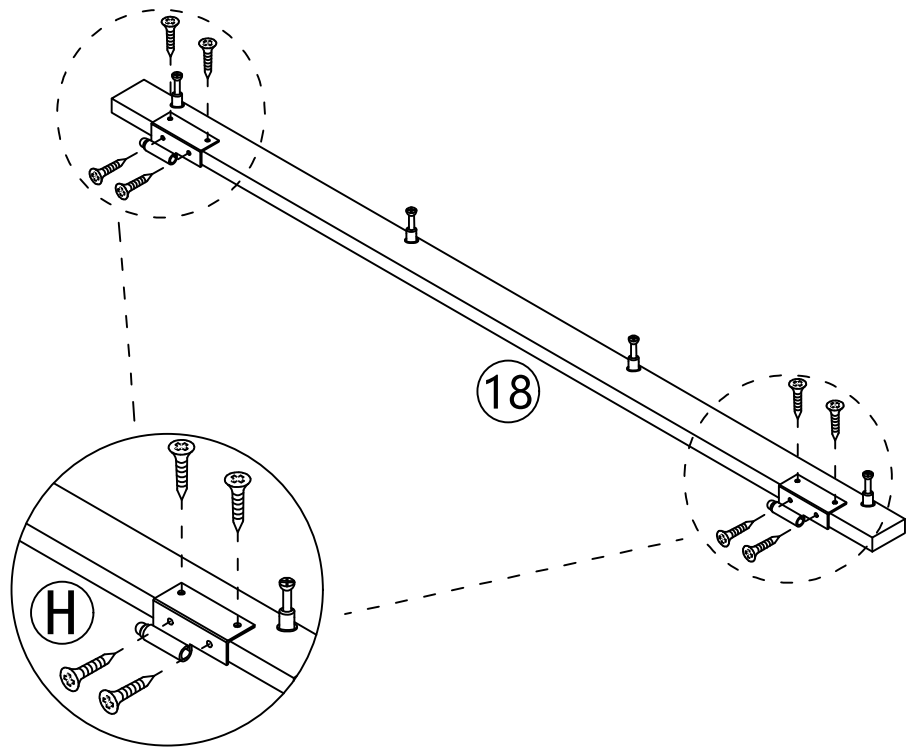
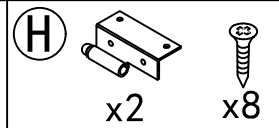
Step 37



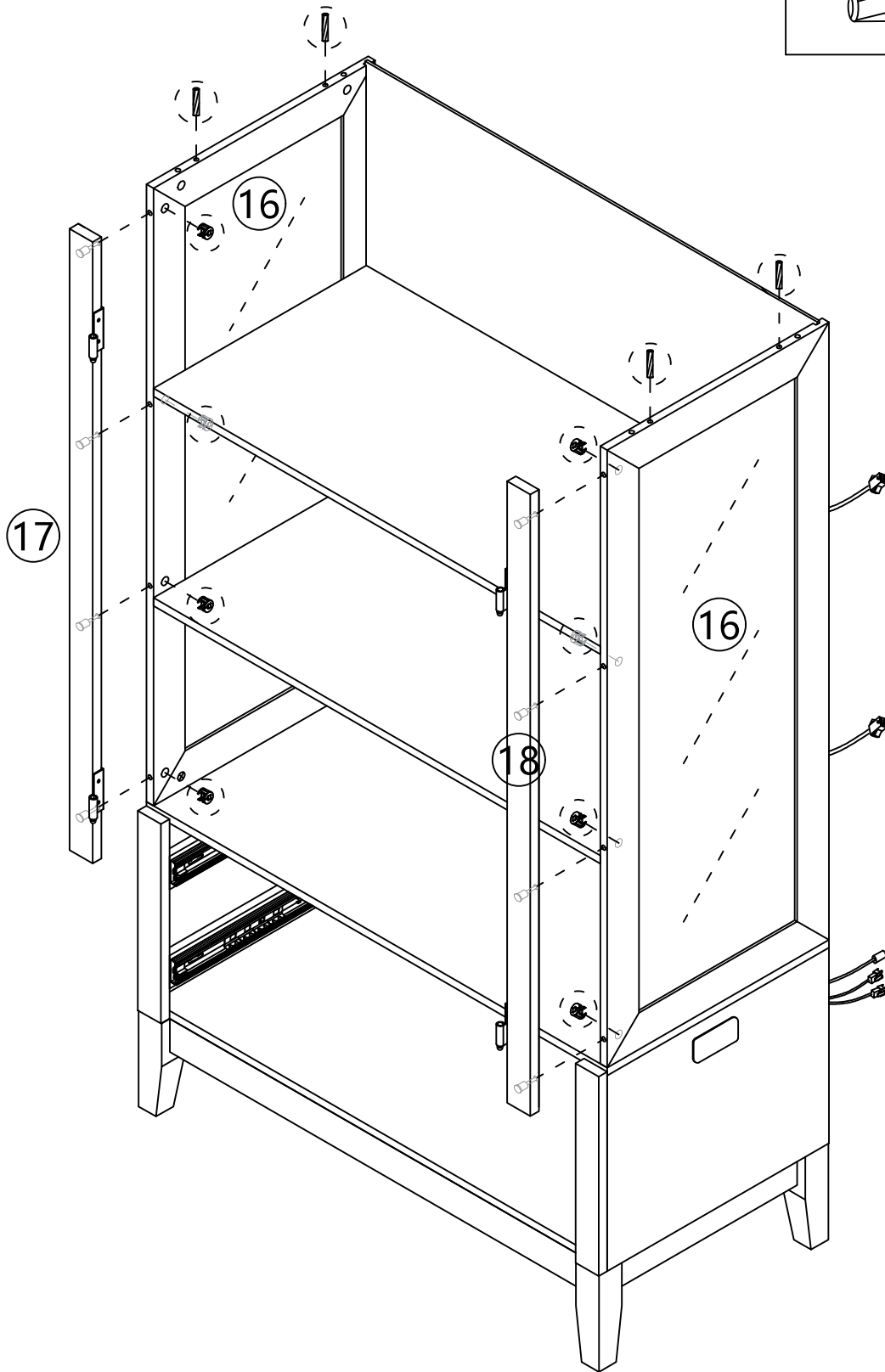
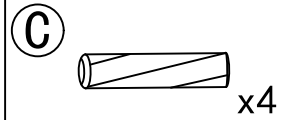
Step 38



Step 39

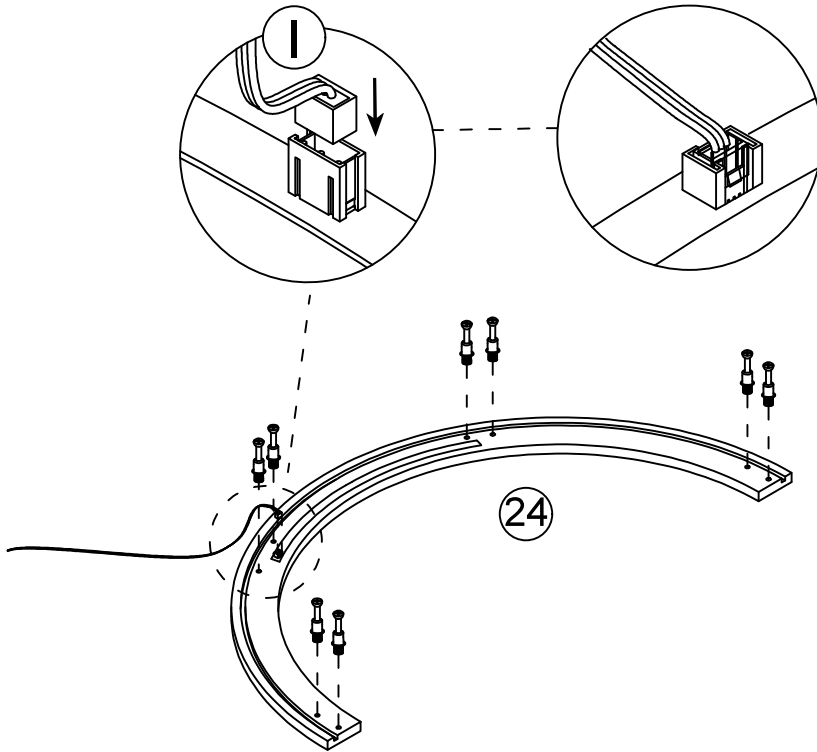
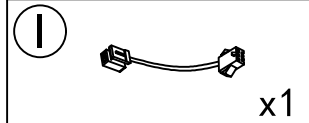
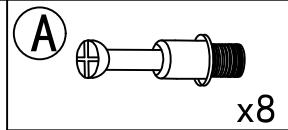


# Step 40

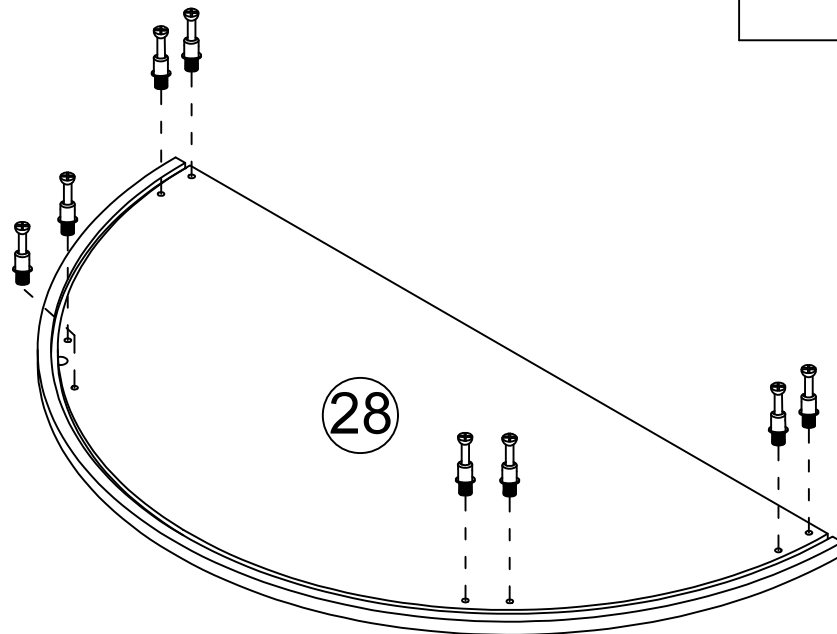
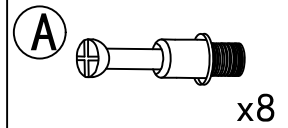


Step 41

Connect the light cable socket

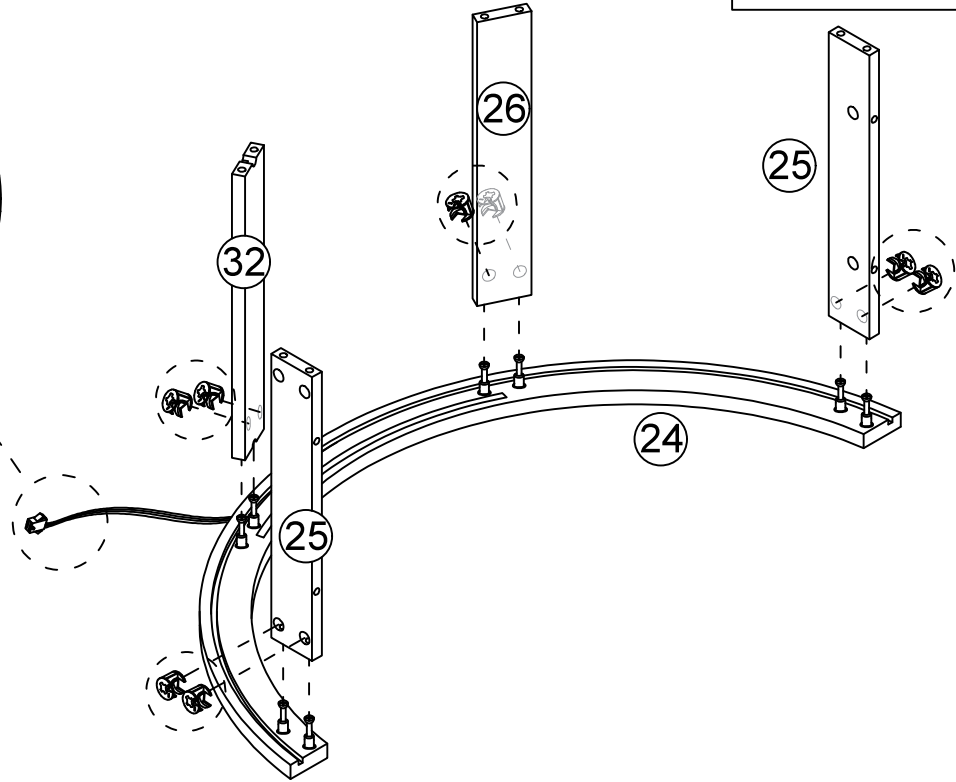
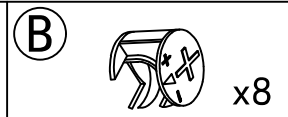


Step 42



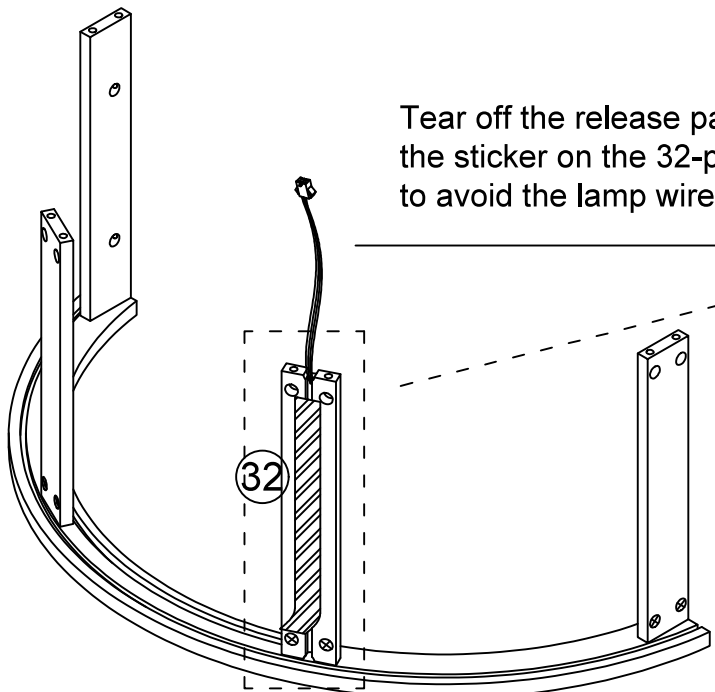
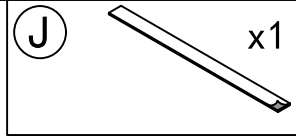
29

Step 43

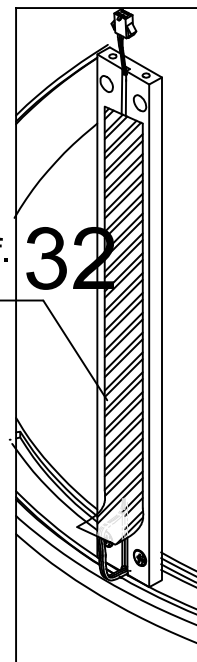


Thread the light wire through board 32 and tighten the nut

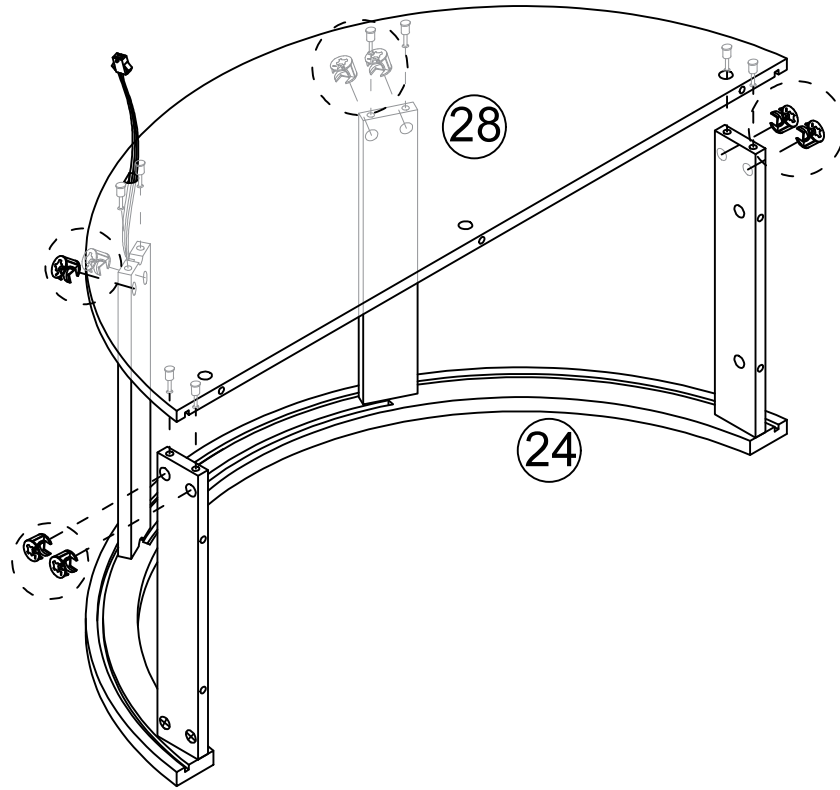
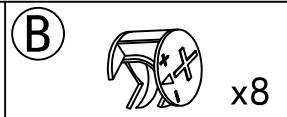
Step 44



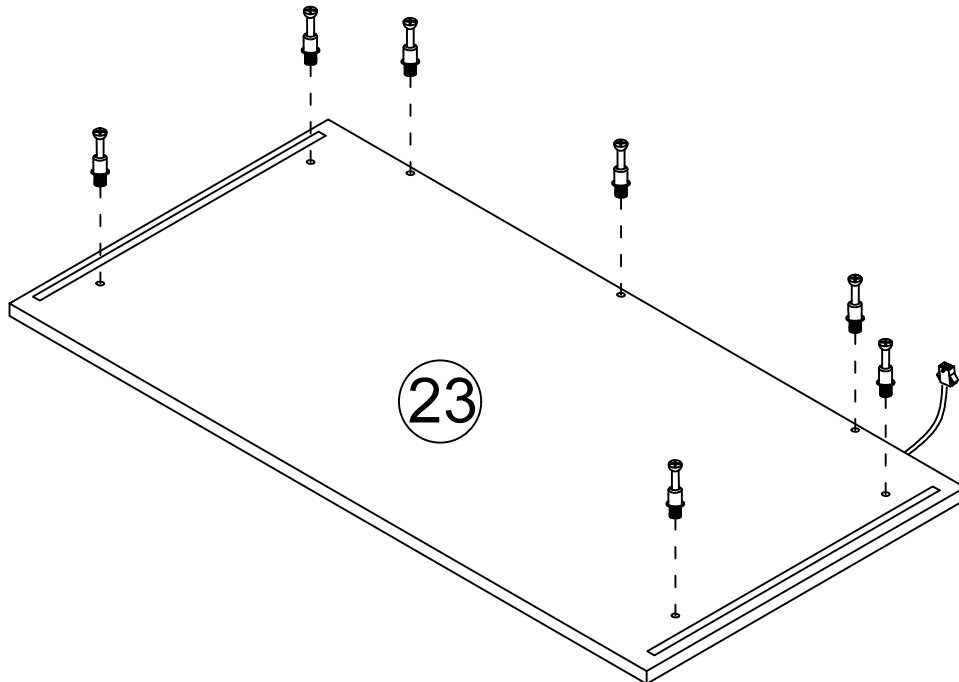
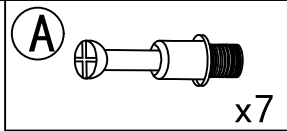
Tear off the release paper and stick the sticker on the 32-plate lamp slot to avoid the lamp wire from falling off.



# Step 45

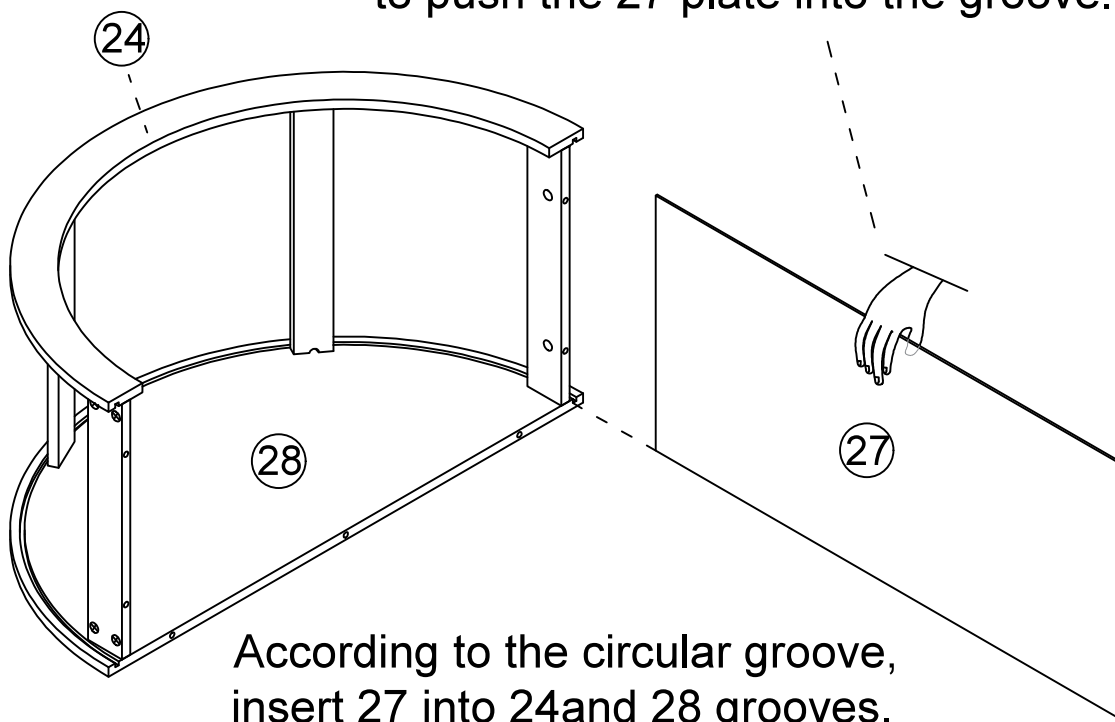


# Step 46

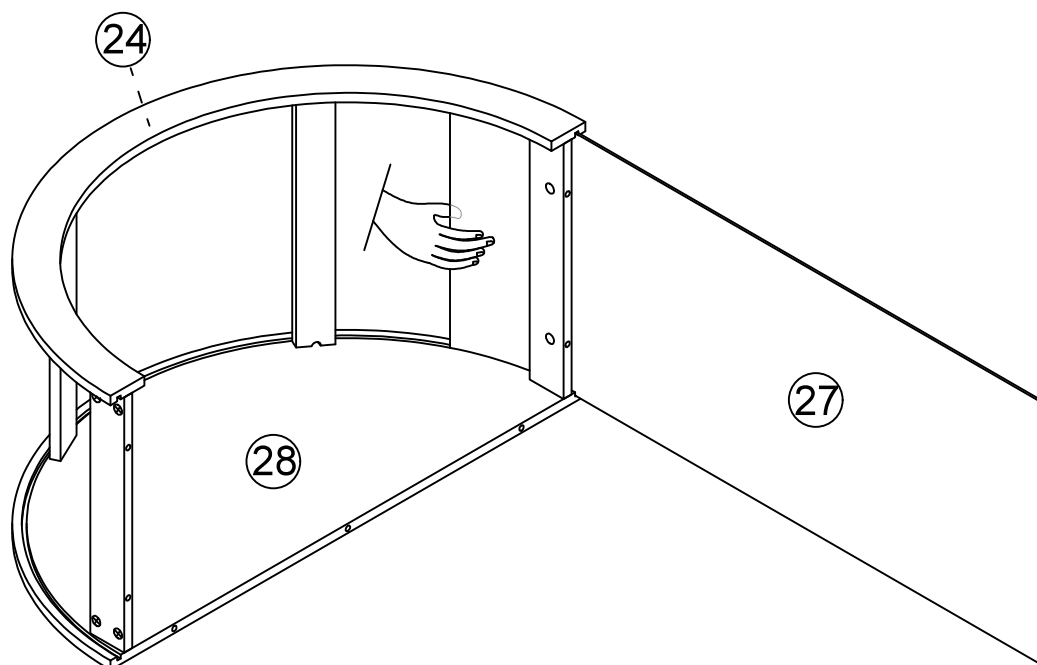


## Step 47

Note: When installing the 27 plate, push the middle of the 27 plate by hand to push the 27 plate into the groove.

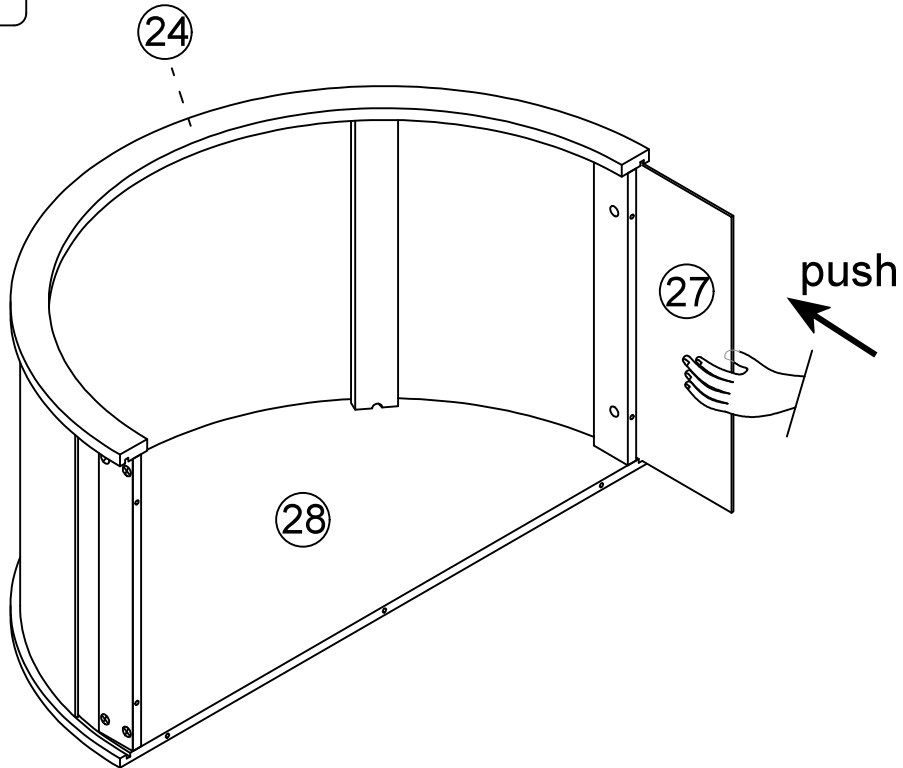


According to the circular groove, insert 27 into 24 and 28 grooves.

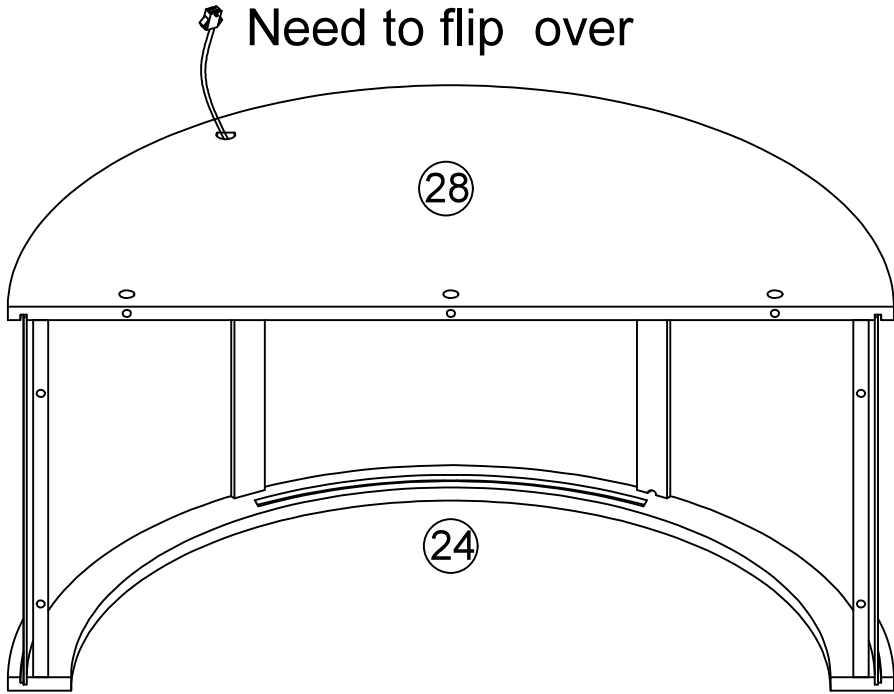


If it is difficult to push the 27 plate in, you can use the pull method.

Step 48



Need to flip over

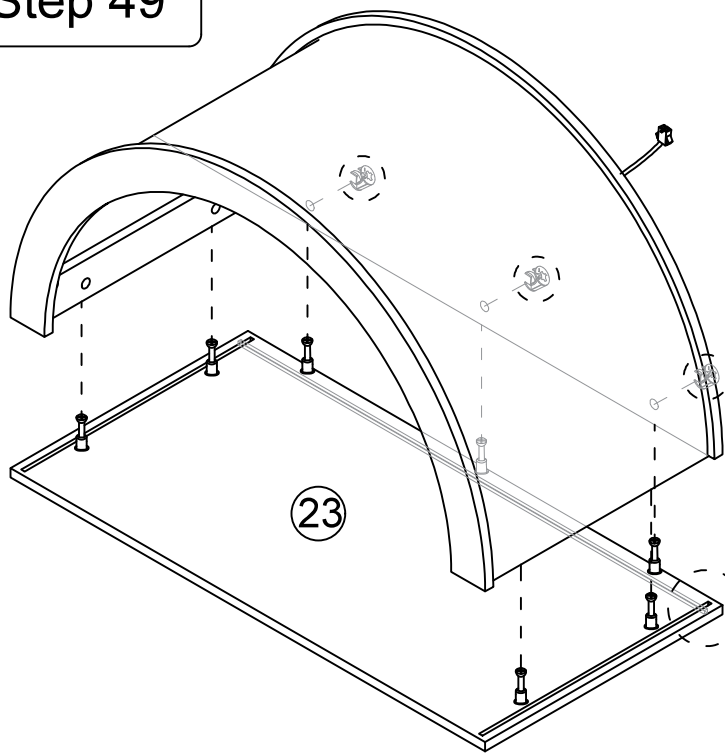


## Step 49

(B)



x3



When installing the 28 plate, pay attention to the front and back, and there is a groove under the 23 plate.

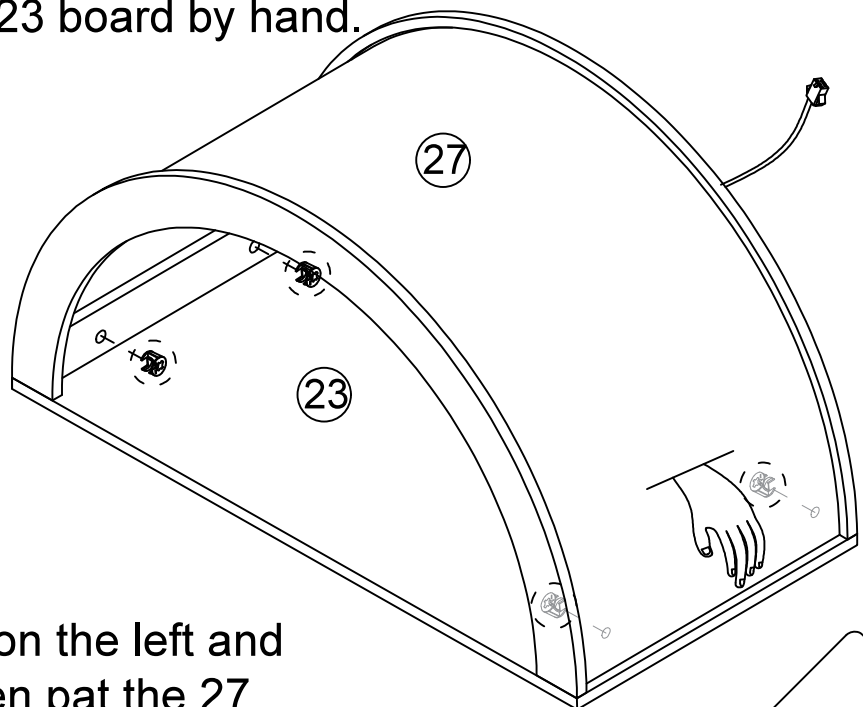
## Step 50

(B)



x4

Note: After installing the 27 board, you need to pat the backboards on both sides into the grooves of the 23 board by hand.



Note: pat the 27 plate on the left and then screw the nut, then pat the 27 plate on the right and screw the nut.

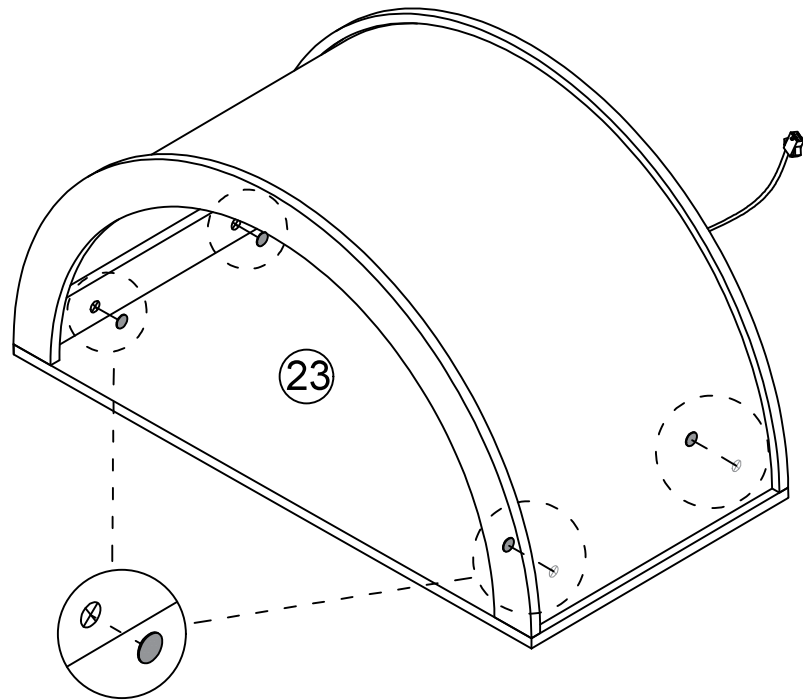
34

# Step 51

J

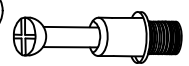


x4



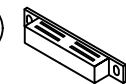
# Step 52

A



x4

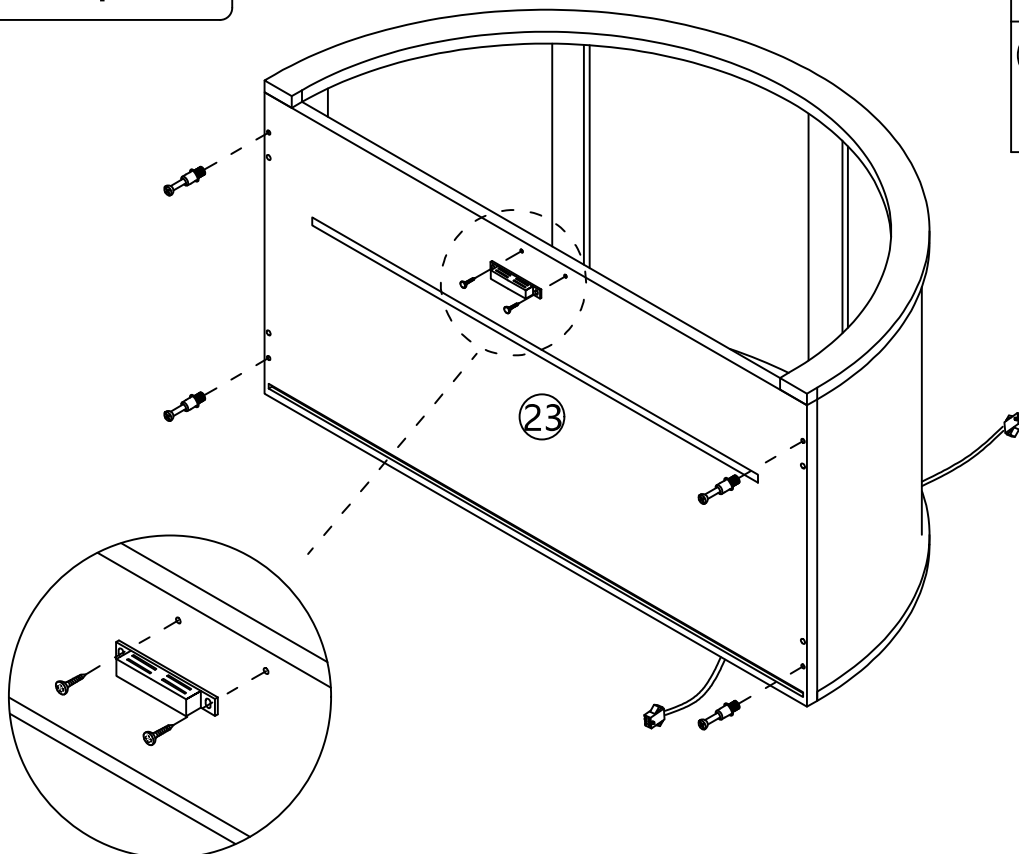
O




x1

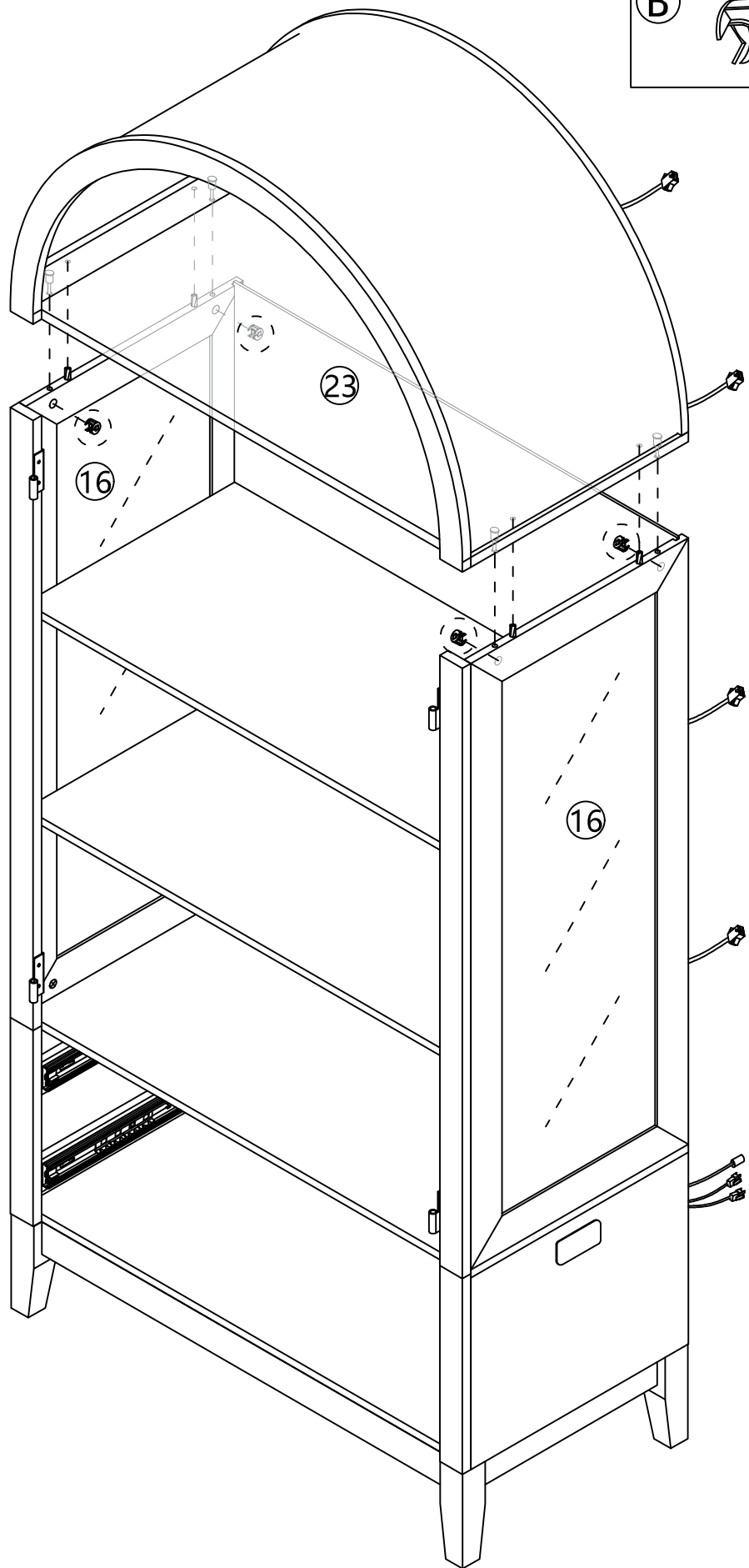




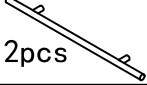














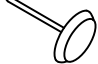
x2

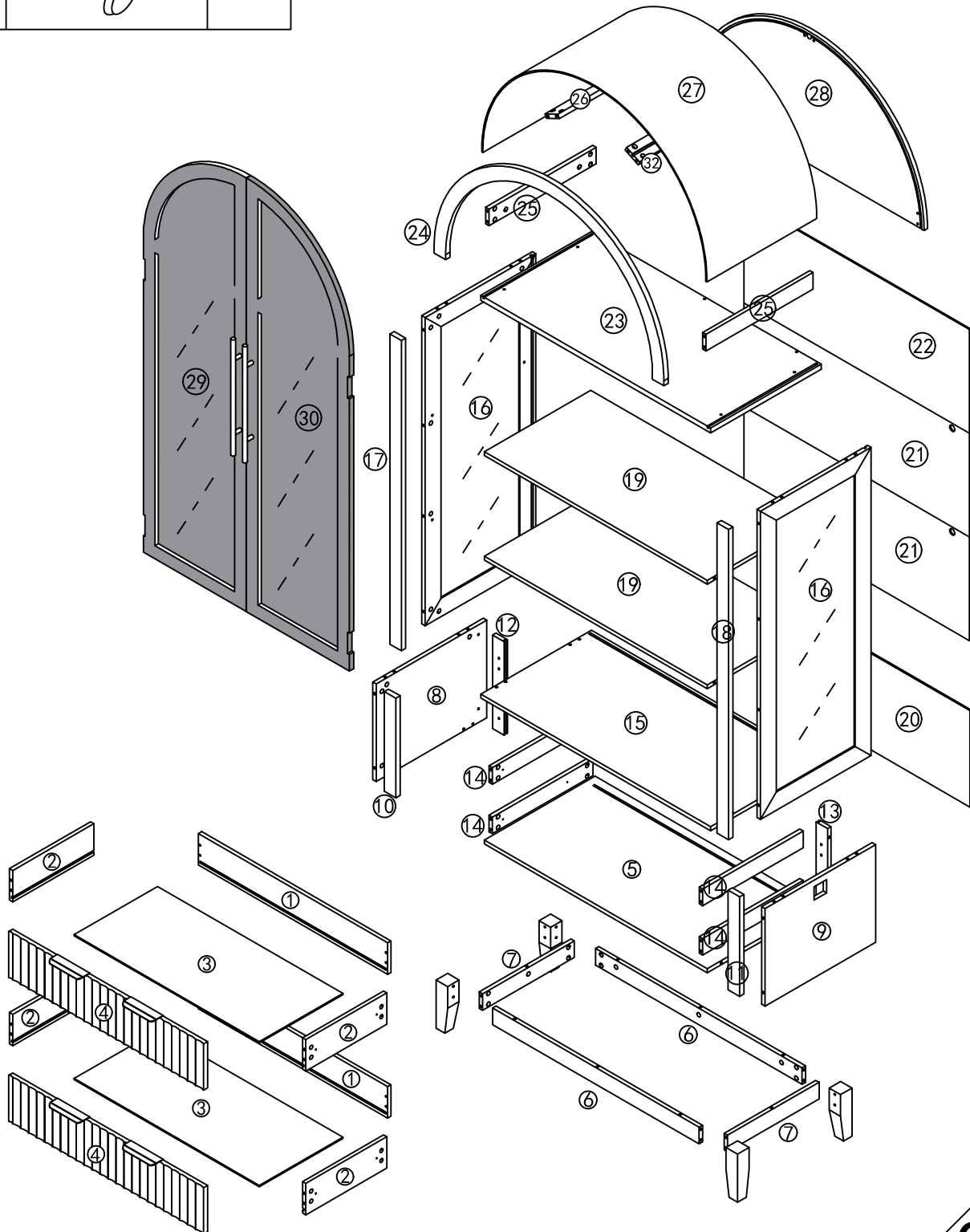


Step 53

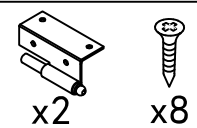
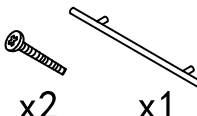
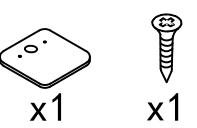
**B**  x4

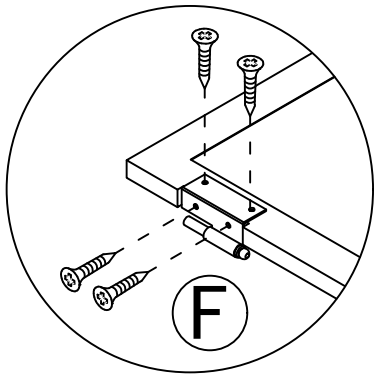
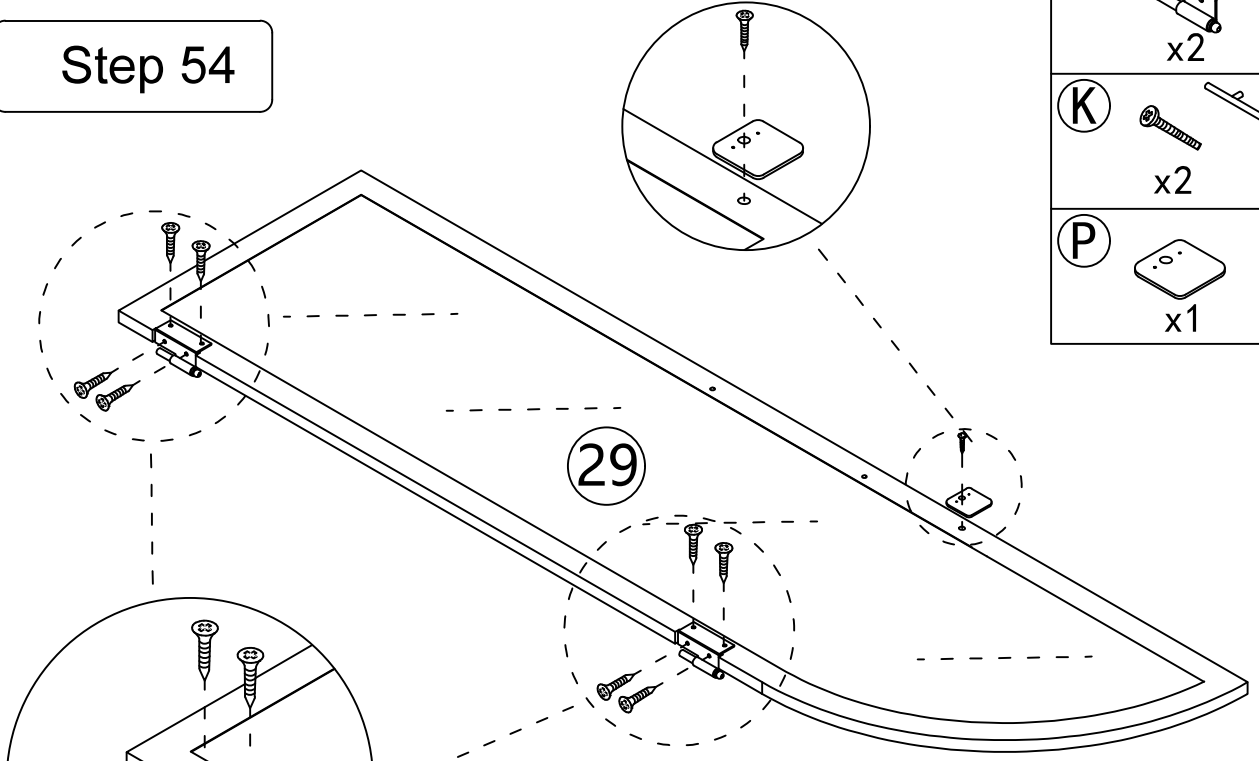


<b>H</b>	 4pcs	 16pcs	<b>K</b>	 2pcs	 4pcs	<b>L</b>	 16pcs	 16pcs
<b>M</b>	 2pcs		<b>N</b>	 16pcs		<b>P</b>	 2pcs	 2pcs
<b>Q</b>	 1pcs	 1pcs	 2pcs	 1pcs	 1pcs	<b>F</b>	 4pcs	 16pcs
<b>R</b>	 4pcs							

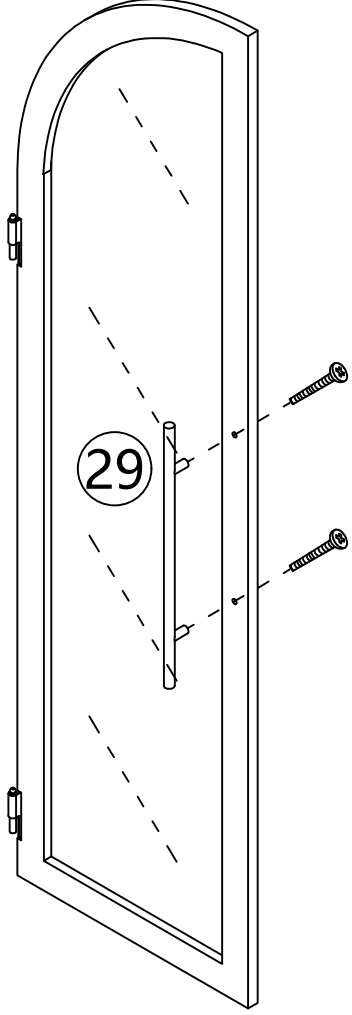


# Step 54

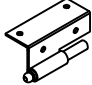


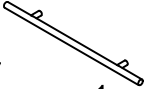


- F**  x2 x8
- K**  x2 x1
- P**  x1 x1

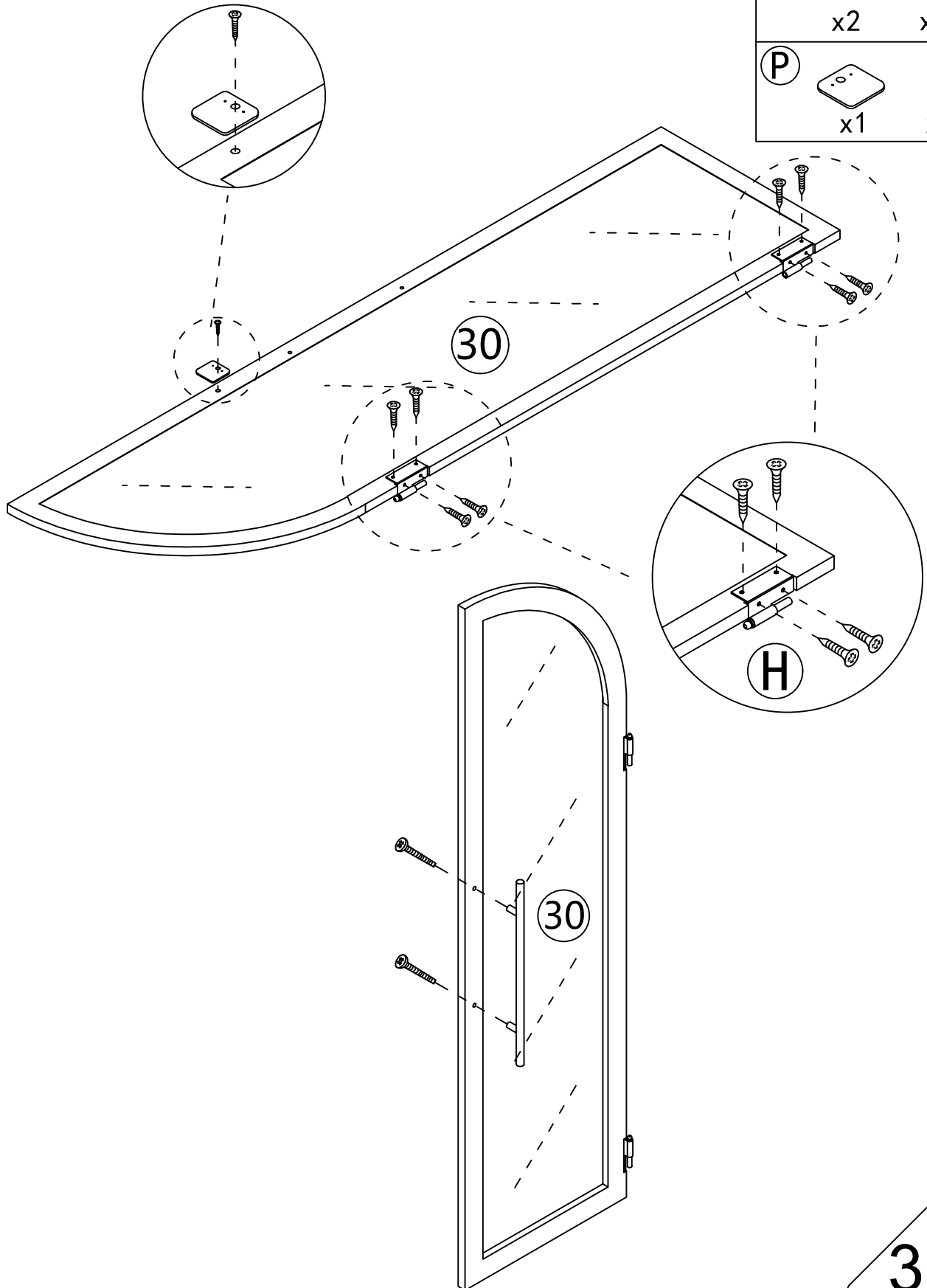


29

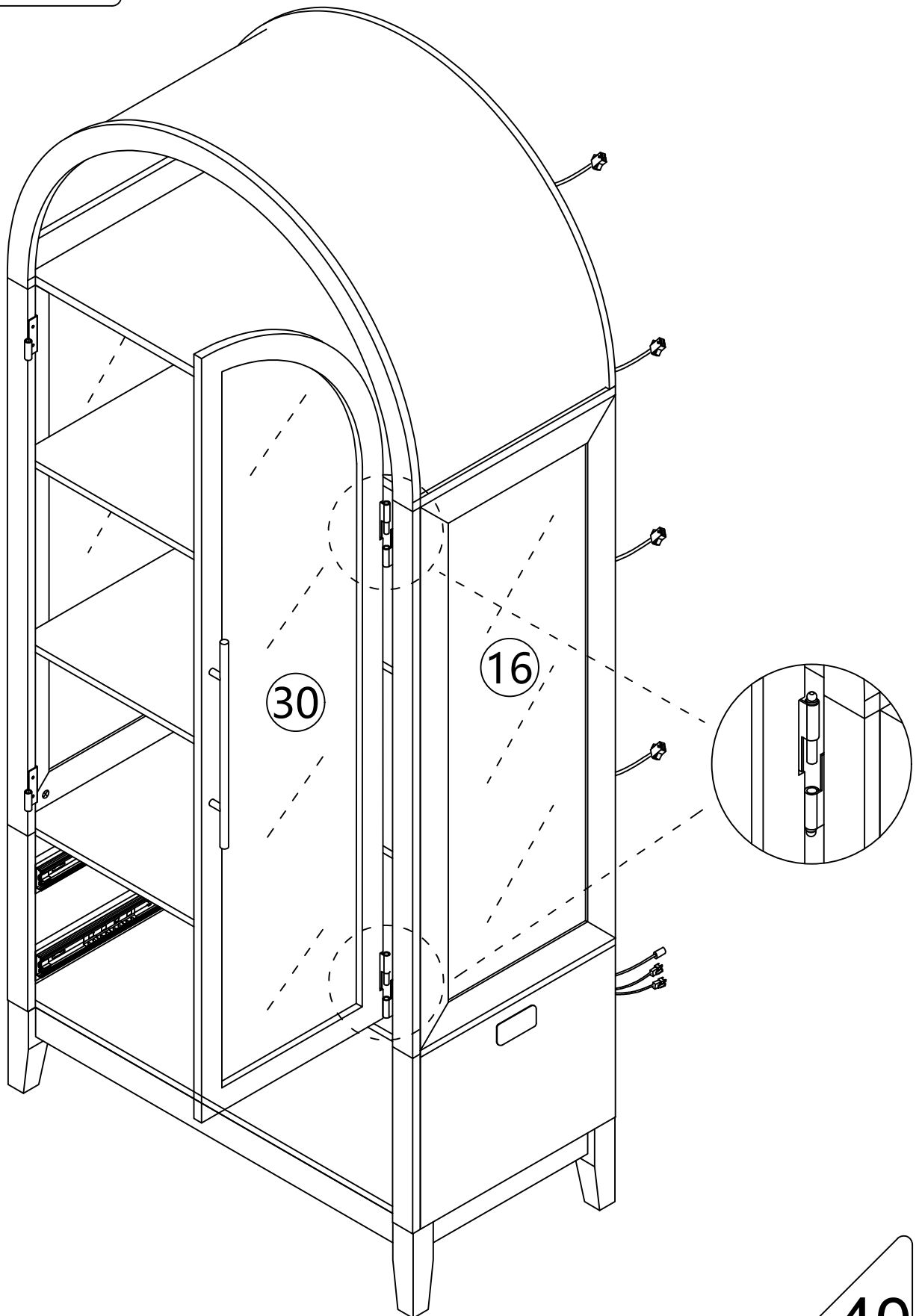


# Step 55

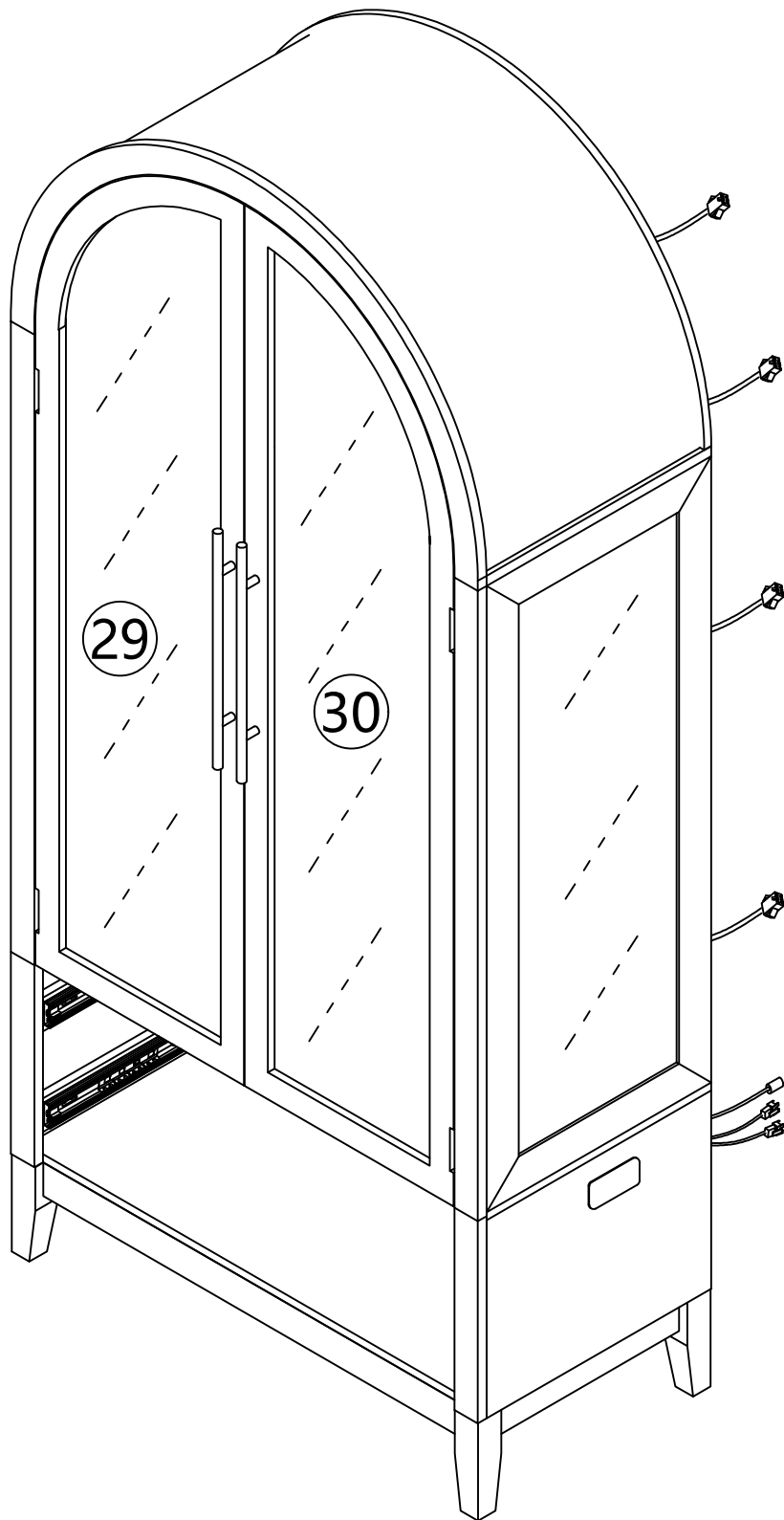
<b>(H)</b>		
	x2	x8
<b>(K)</b>		
	x2	x1
<b>(P)</b>		
	x1	x1



Step 56

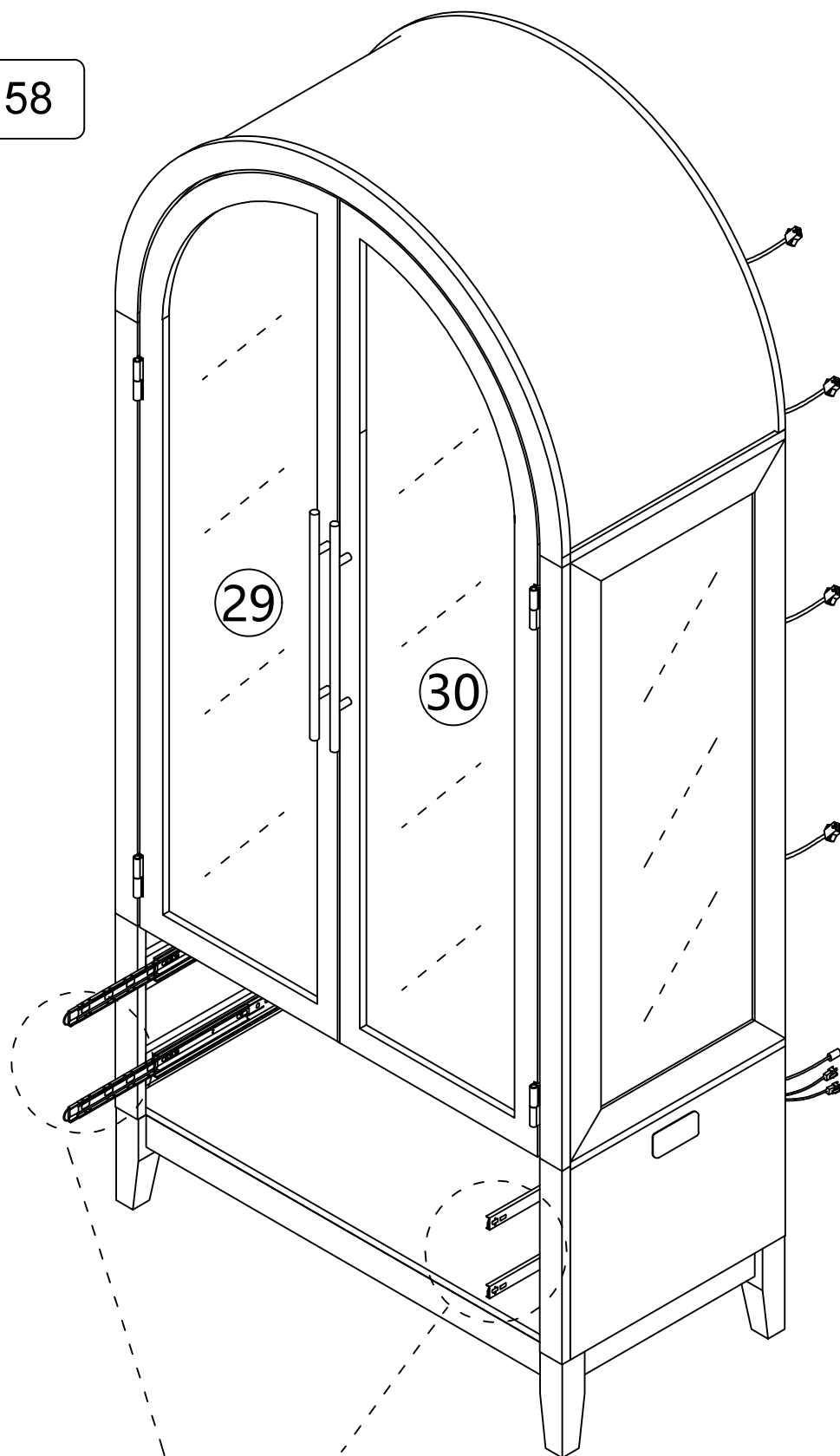


Step 57



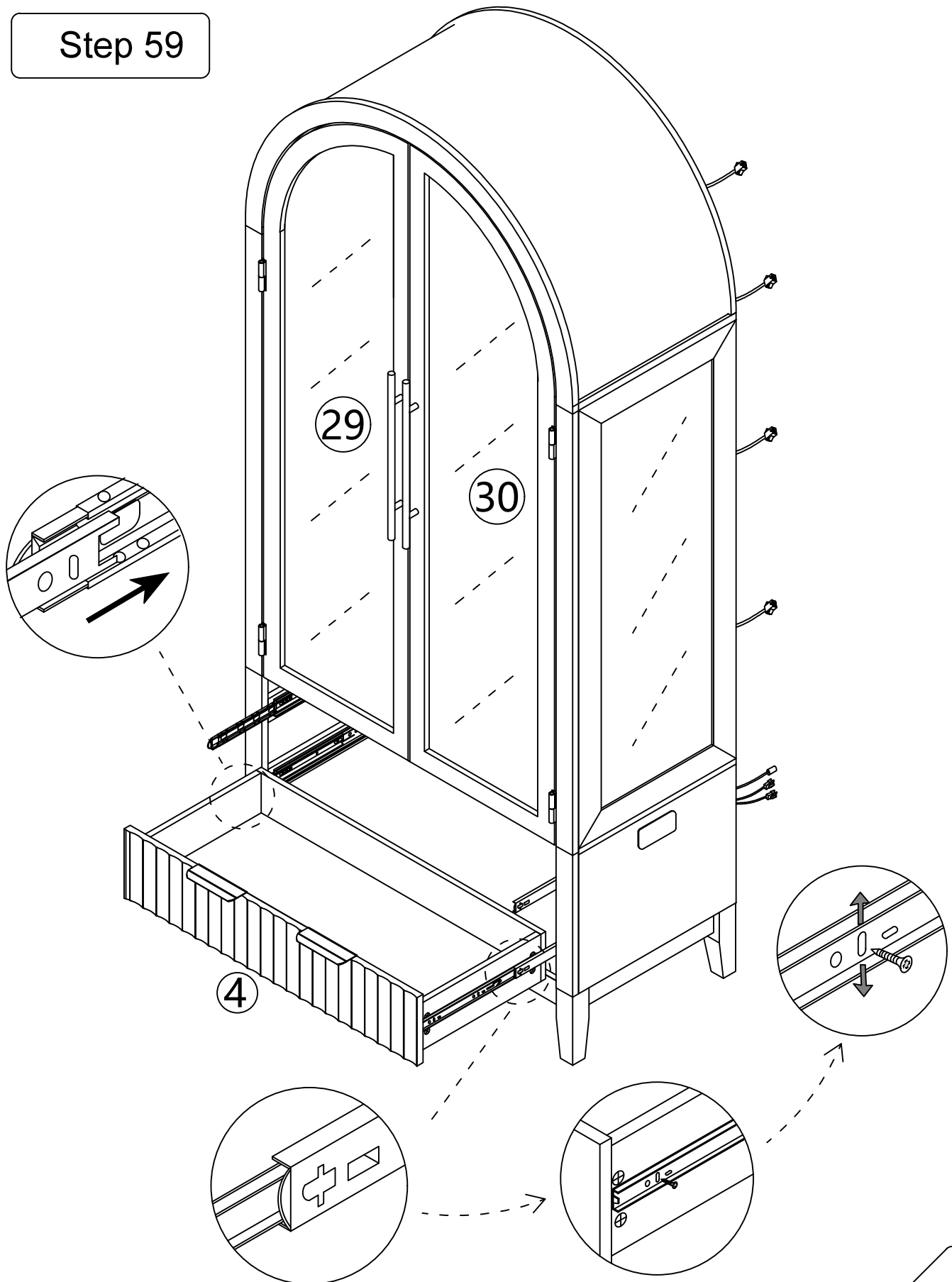
The 29th board is also installed in this way.

## Step 58



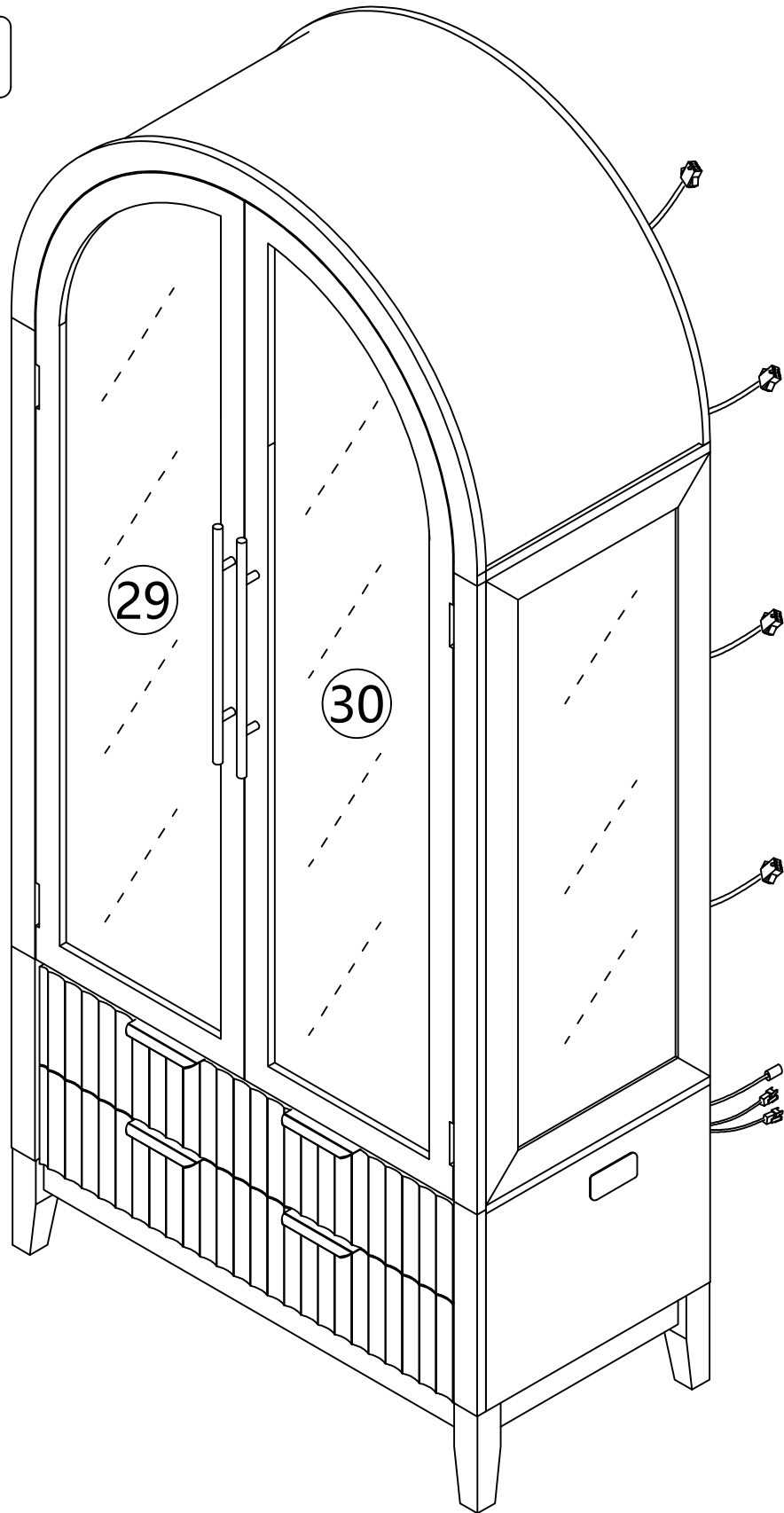
As shown, When installing the drawer,  
pull the guide rail out first, Slide beads are also pulled out.

# Step 59



If a large gap is found after installing the drawer the slide rail can be moved up and down to adjust the gap

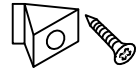
Step 60



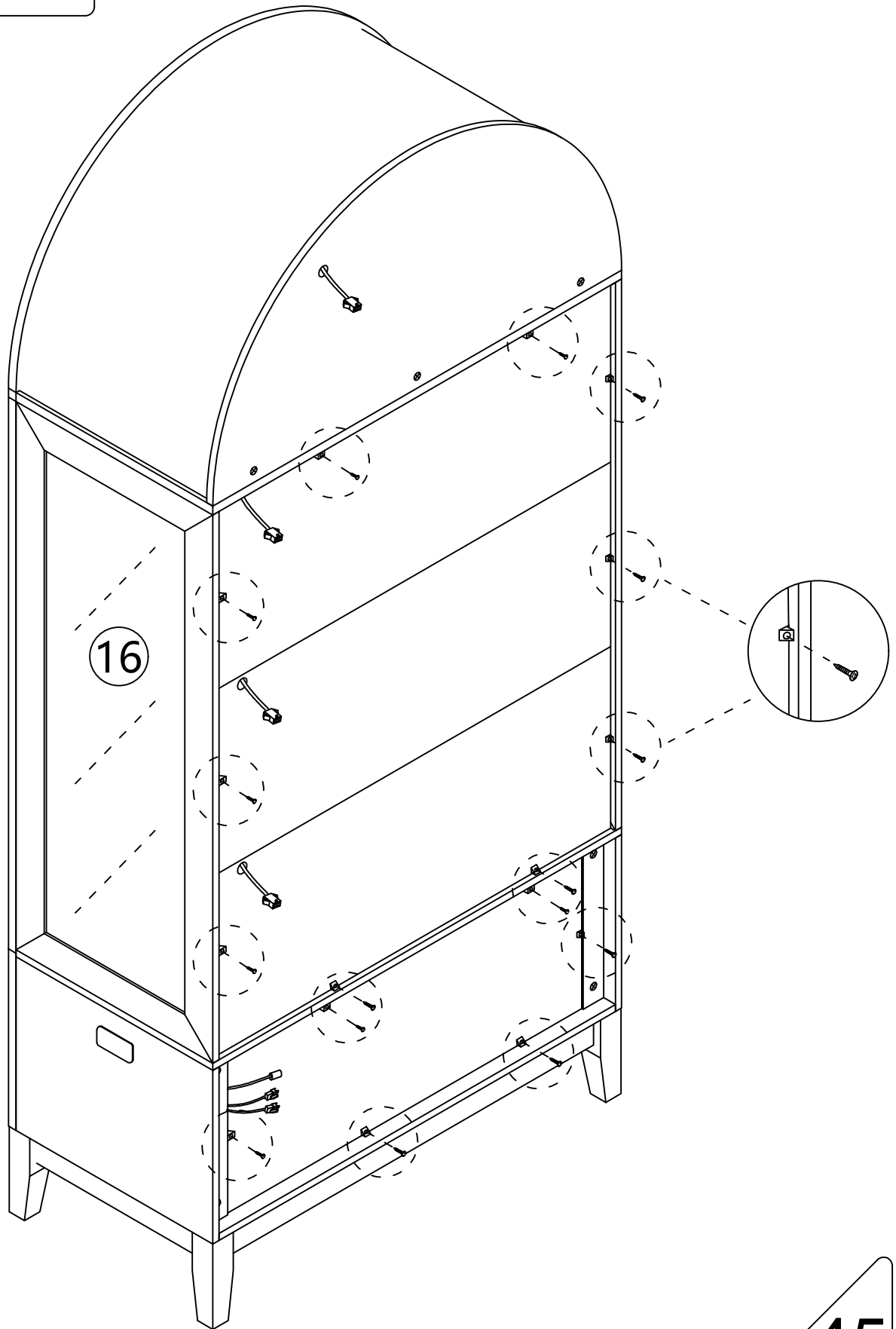
Repeat the drawer installation steps

Step 61

L



x16

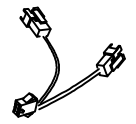


16

45

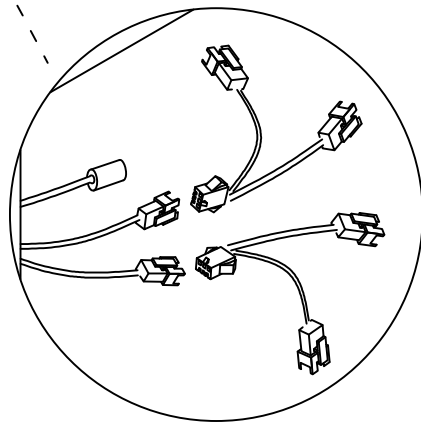
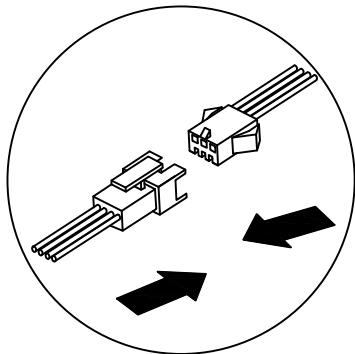
Step 62

M

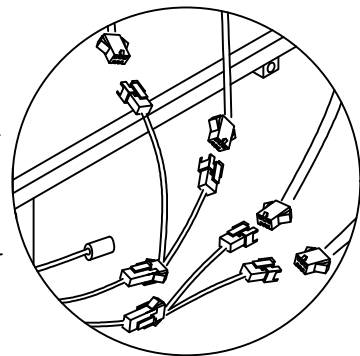
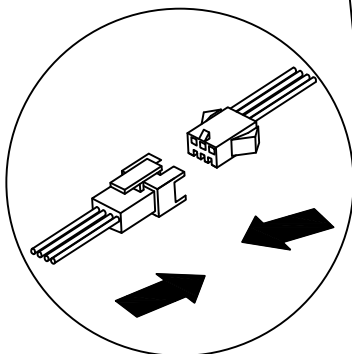
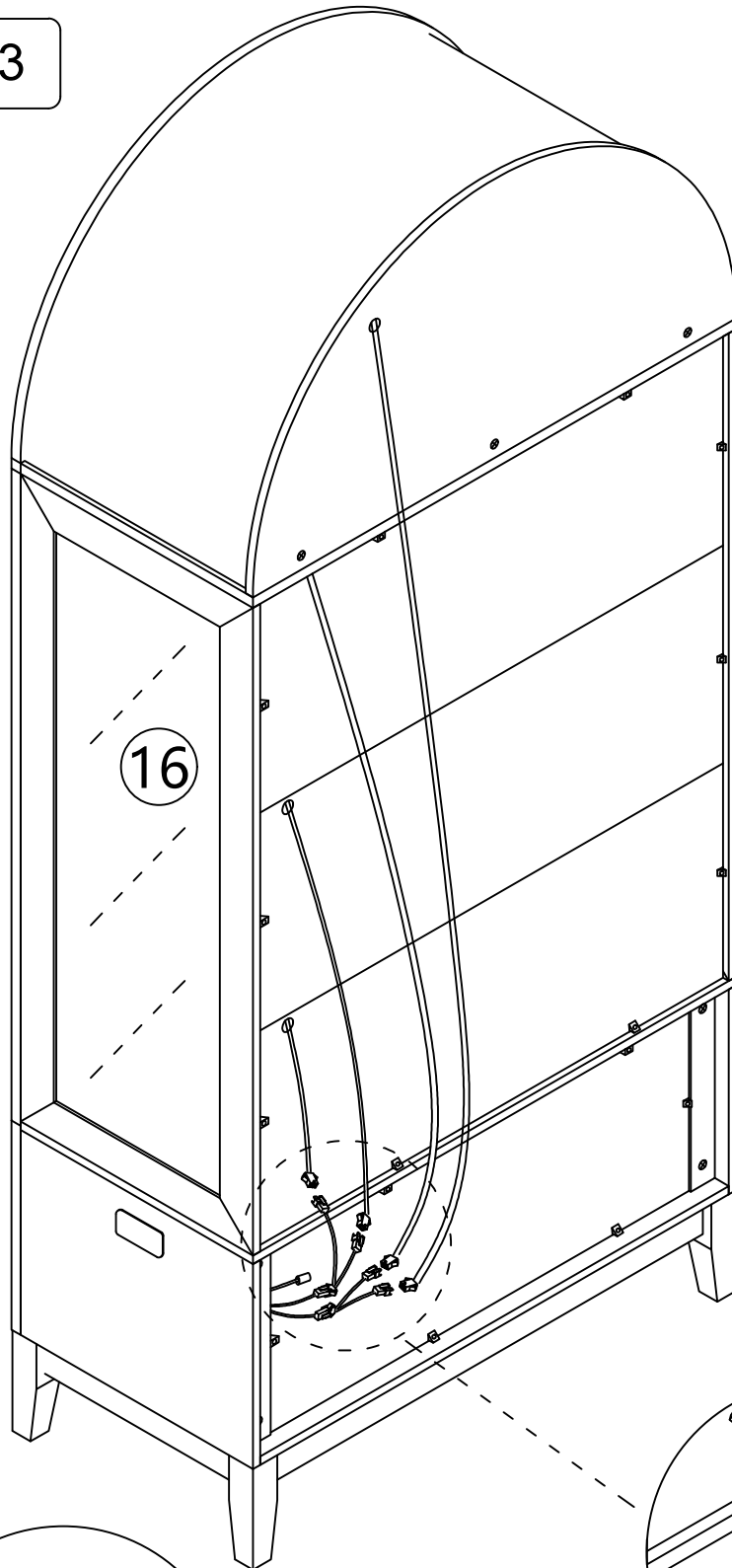


x2

16



Step 63

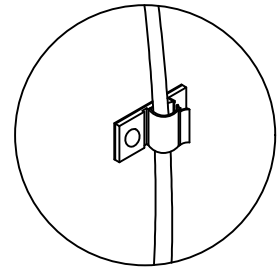
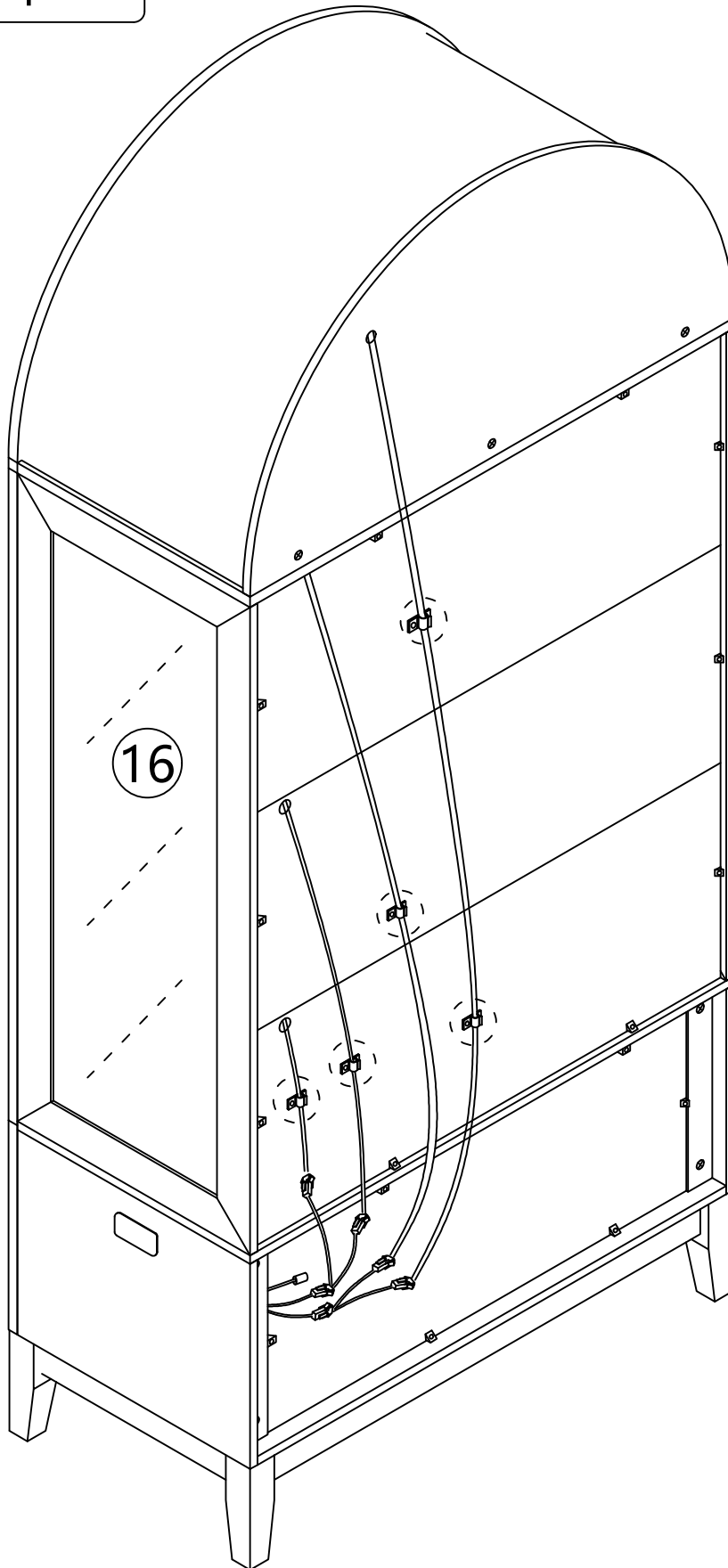


Step 64

N



x5



Step 65

Install the anti-rewind tape on the 28 board.

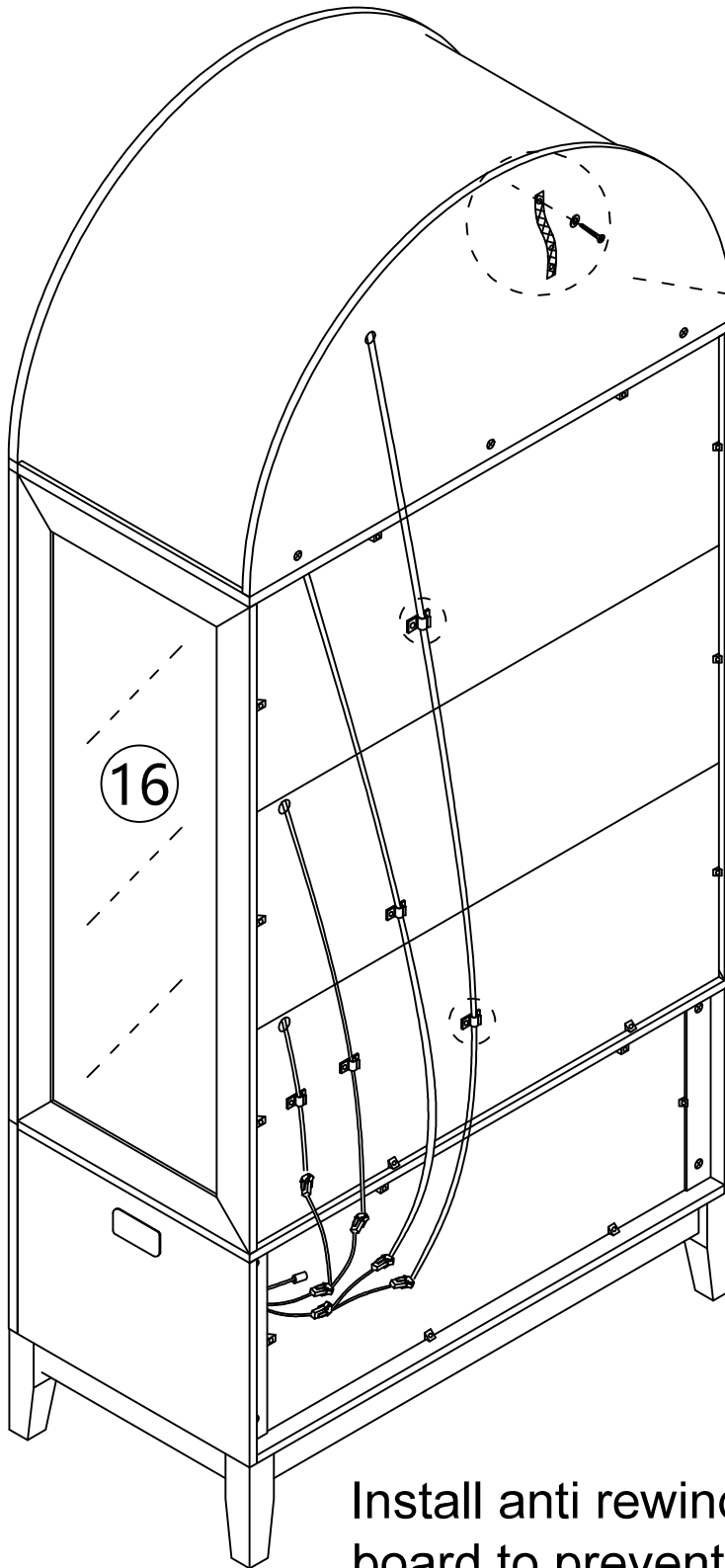
Q



x1



x1



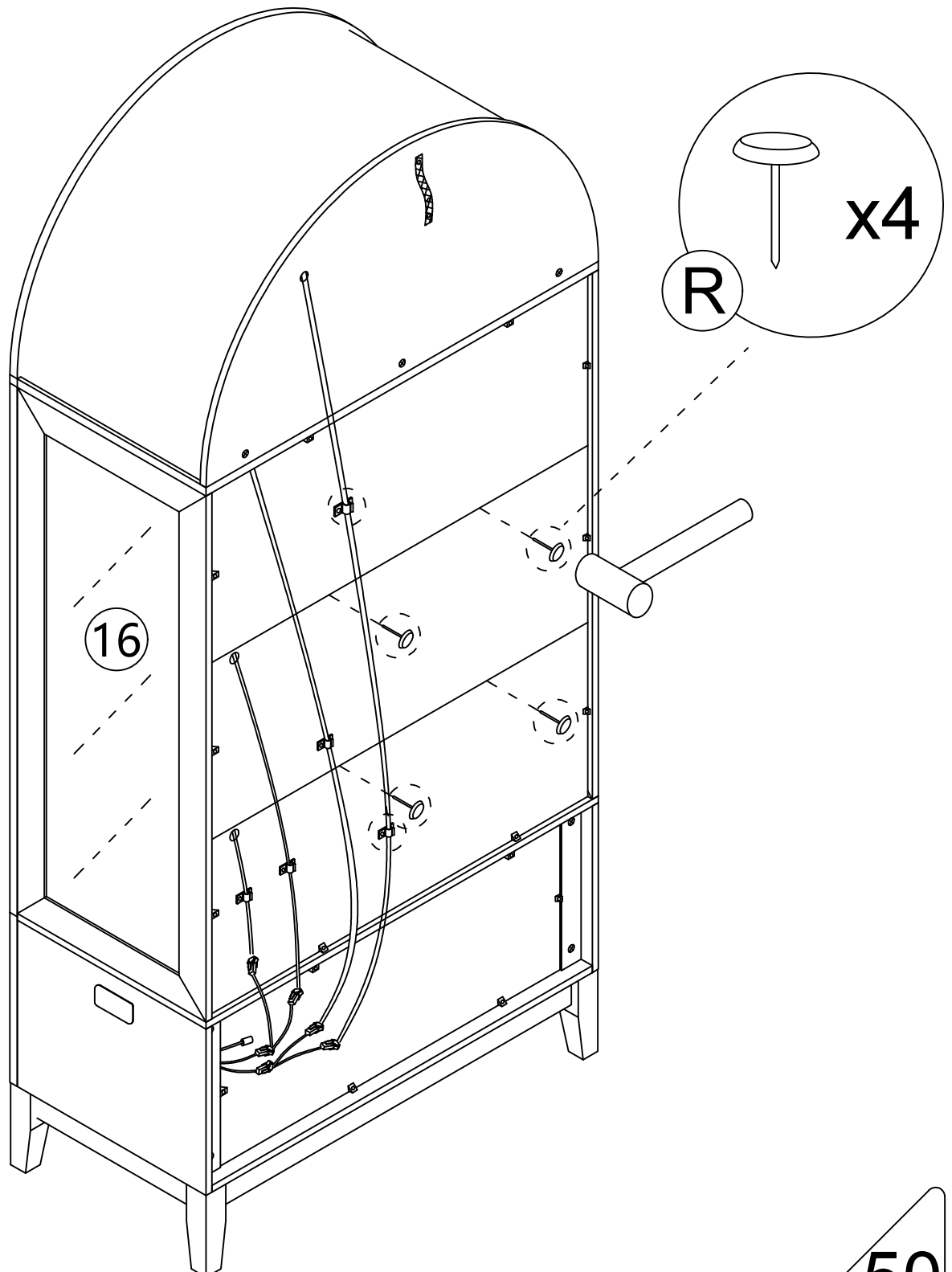
16

Install anti rewind tape at the edge of the board to prevent insufficient length when connecting to the wall

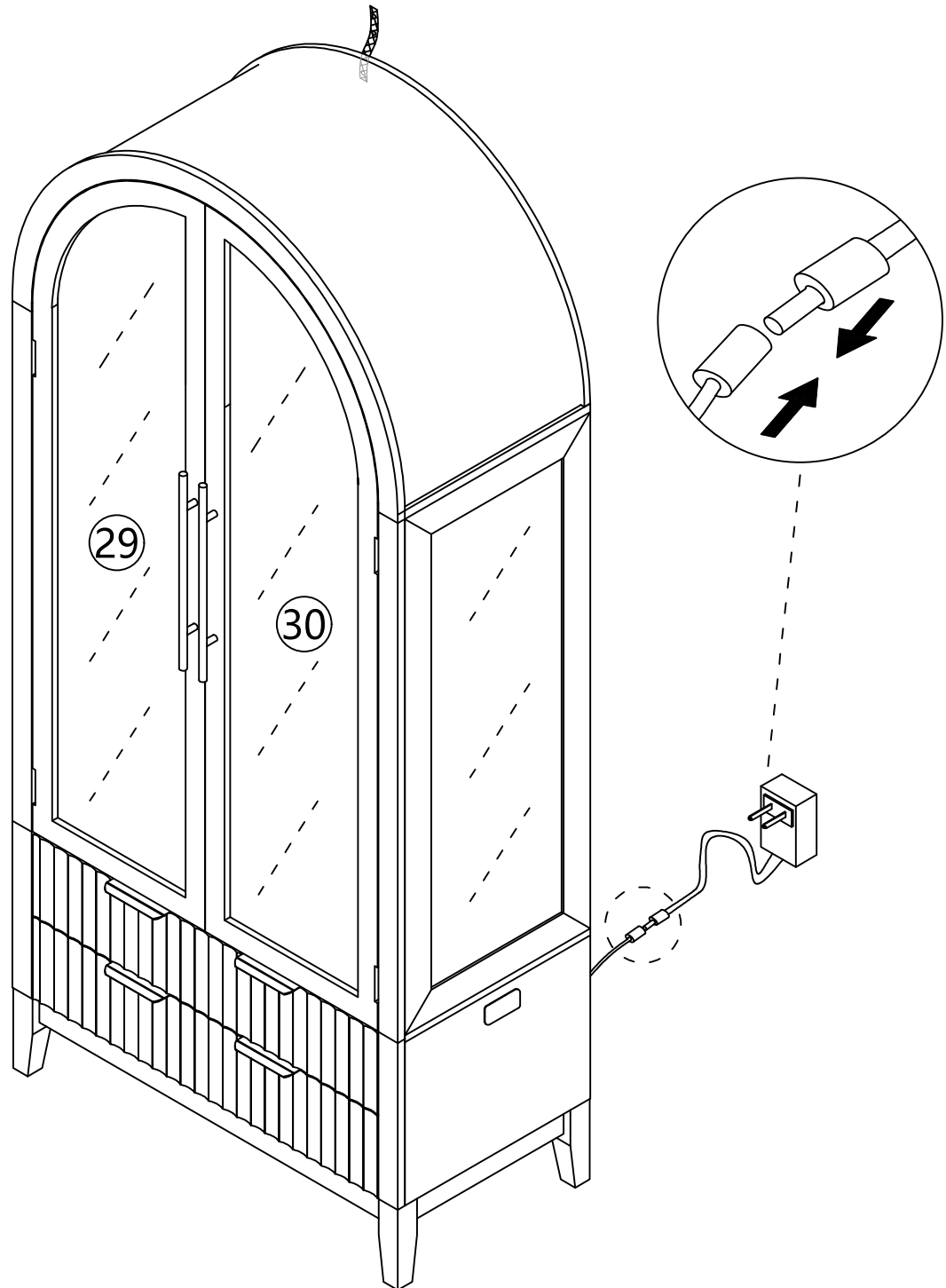
# Step 66

(R)  x4

Use a hammer to drive the nail into the gap of the wooden board and fix the back board

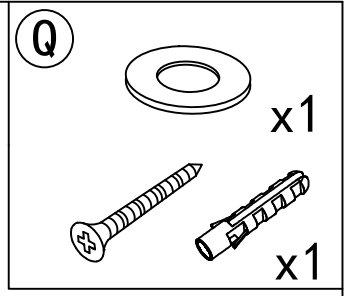
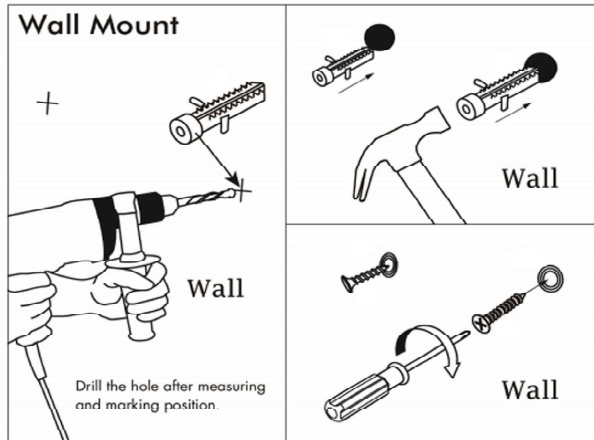


Step 67



# Step 68

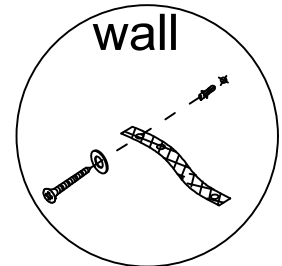
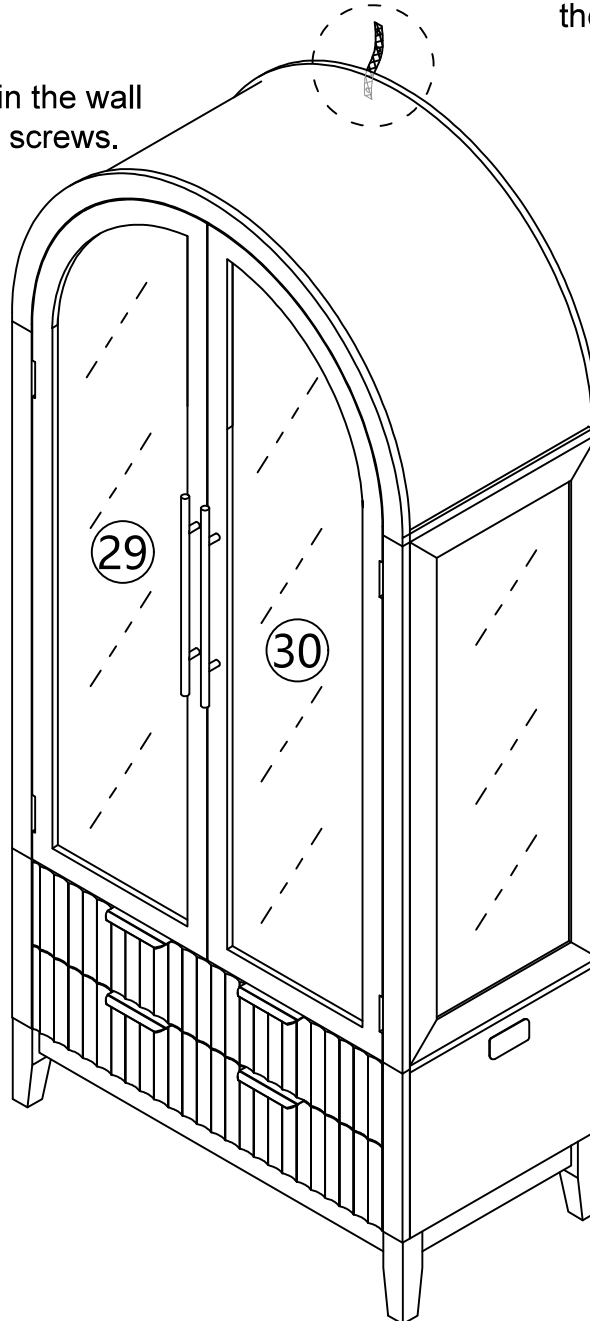
use a ruler to measure the approximate height of the product on the wall, and then mark it with a pencil.



Put the expansion bolt into the hole.

Pass the matching screws through the "anti-rewind" and tighten them to fix them on the wall.

Use a tape drill to make holes in the wall that are suitable for the product screws.



## User's Guide

Thank you for purchasing this product.

To use this product, please plug it into a 12V DC power supply.

Please use if the product works normally after connecting to power.

## Introduction

The box is an intelligent controller. With 5 touch buttons, it can turn ON/OFF the light and turn ON/OFF the induction function, change light colors, and adjust the light luminance.



## Operation



This touch button is the master switch of the smart box,

which can turn off all functions of the box and control the light strips on/off operation.

The operation that can be turned on and off with just a light tap. Press and hold to adjust the brightness. Upon first power-up, the default light will be set to white.



This touch button is used to turn on/off the induction function.

A. touch this button once to turn on the induction function (indicator light on).

After the person leaves or remains stationary for more than 30 seconds, the light strip goes out; people and objects within a range of 1 meters move will light up the light strip.

B. Long press this button for 0.5 seconds to turn off the human body induction function (the indicator light goes out). At this point, keep the light strip as it was before turning off and no longer be affected by human and object activities. By default, induction function is enabled when powered on.



This touch button is the Dynamic Phantom Color Mode, which includes 5 magical lighting effects.

Simply tap to cycle through the options. (Attention: This mode cannot adjust the brightness)



This touch button controls the single-color switching function of the light strips, offering 7 different colors to choose from.



This area controls the color switching function.

You can tap or slide to any color bar position to change the color.

Color Palette



Induction Button

Phantom Color Mode Button

Master Switch Button

7-Color Mode Button



## ATTENTION PLEASE

1. If there is no touch response suddenly, Re-plug the power to reset the touch static electricity.
2. If bubbles appear on the panel, remove the protective film.
3. If you have any questions when installing, please feel free to contact us. Thank you.