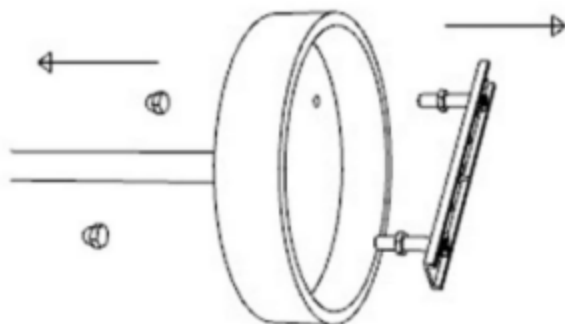


# Assembly Instructions for Model 978034



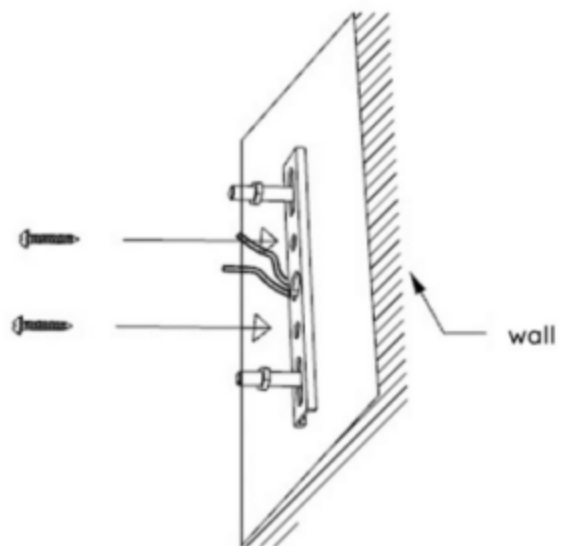
Installation diagram

1



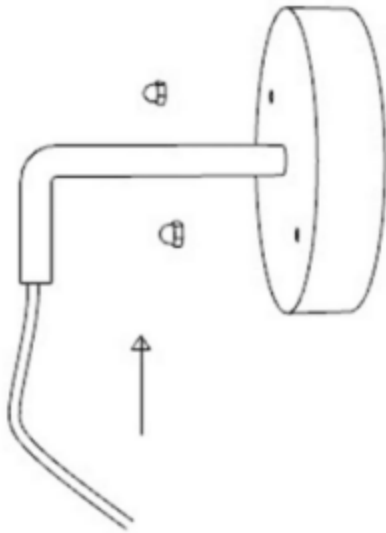
1. Remove the mounting plate from the suction top plate

2



2. Secure the mounting plate close to the 220V power cable to the wall. (Wooden walls can be fixed directly with self-tapping screws, cement walls need to be fixed with expansion screws after drilling)

3

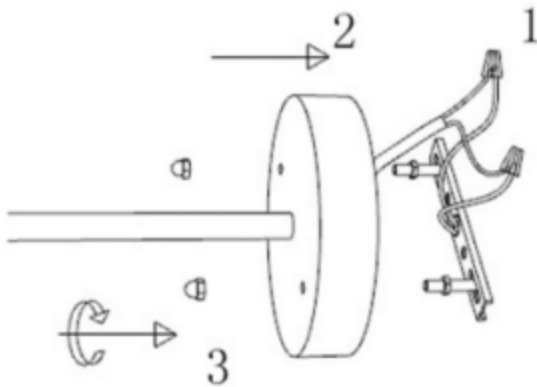


3. Pass the lamp wire through the suction cup

3.1

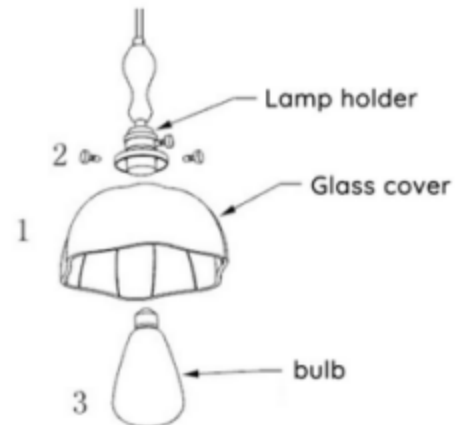


4



4. Connect the lamp wire with the 220V power cord, tighten it with the wiring cap, and it is not exposed. After adjusting the mounting plate screws, pass the top plate through the mounting plate screws and tighten the nuts.

5



5. 1. put on the lampshade  
2. Tighten the three screws  
3. Install the light bulb

Warm reminder:

This lamp is suitable for 220V-240V power supply.

Wear gloves during installation.

Do not install on the ceiling where the gray water is not dry or wet.

The power supply should be cut off before cleaning.

In a certain space can not use acid, alkaline and other chemical solvents, otherwise it will cause damage to the lamp surface!!

Your fixture is now assembled and ready to use.