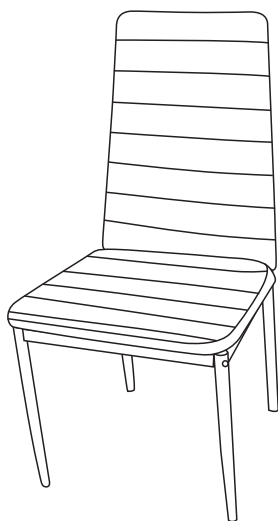


# DINING CHAIRS

## CHAIR INSTRUCTION MANUAL



# CONTENTS

---

Safety and care advice	<b>1</b>
Components – panels	<b>2</b>
Assembly instructions	<b>3</b>
Copyright	<b>6</b>

---

# ⚠️ SAFETY AND CARE ADVICE ⚠️

---

## PLEASE READ THESE INSTRUCTIONS CAREFULLY AND KEEP FOR FUTURE REFERENCE

- **Warning:** This unit weighs approximately 5kgs. Please lift with care.
- Check you have all the components and tools listed on pages 2.
- Remove all fittings from the plastic bags and separate them into their groups.
- Keep children and animals away from the work area, small parts could choke if swallowed.
- Make sure you have enough space to layout the parts before starting.
- Do not stand or put weight on the product, this could cause damage.
- Assemble the item as close to its final position (in the same room) as possible.

- Assemble on a soft level surface to avoid damaging the unit or your floor (use opened out unit carton).



- We do not recommend the use of power drill/drivers **for inserting screws**, as this could damage the unit. Only use hand screwdrivers.
- **Safety note:** If there is any chance of this unit being pulled over by children etc. it is recommended that the unit is secured to a wall using suitable fixings (not supplied).
- Dispose of all packaging carefully and responsibly.

## CARE AND MAINTENANCE

---

- Only clean using a damp cloth and mild detergent, do not use bleach or abrasive cleaners.
- From time to time check that there are no loose screws on this unit.

- This product should not be discarded with household waste. Take to your local authority waste disposal center.

**Note** *If required the next page can be cut out and used as reference throughout the assembly. Keep this page with these instructions for future reference.*

# COMPONENTS

---

Ensure the following components are in the box before proceeding with assembly:

Please note that below components are only for ONE chair. If the product you buy includes 4 chairs, there will be 4 sets of below components in the chair carton. If you buy 6 chairs, there will be 6 sets of below components in the chair carton.

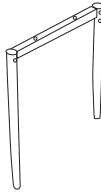
**A** x1



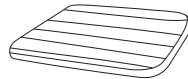
**F** x1



**B** x2



**G** x1



**C** x4



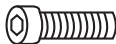
**H** x4



**D** x1







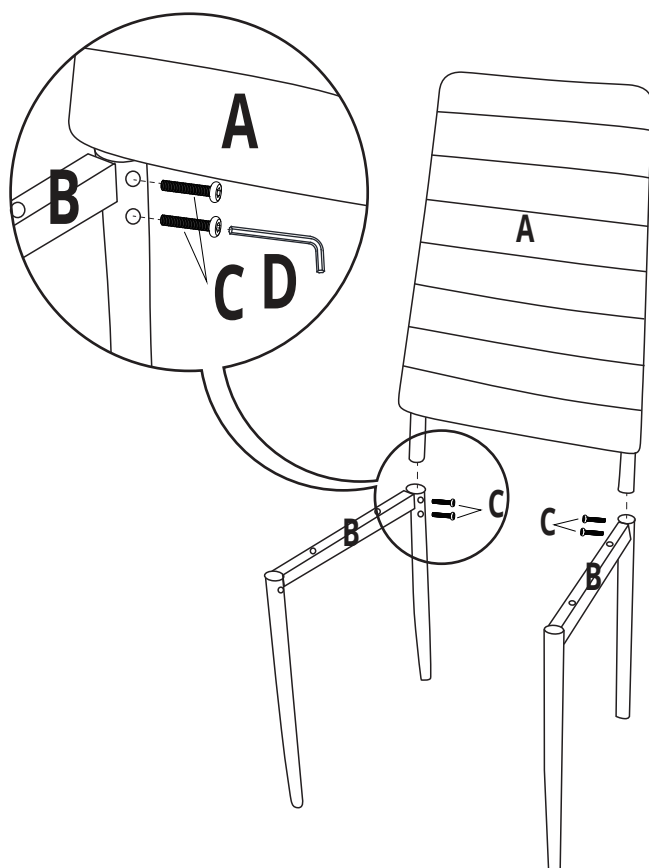
**E** x2



# ASSEMBLY INSTRUCTIONS

Step 1




A		1
B		2
C		4
D		1

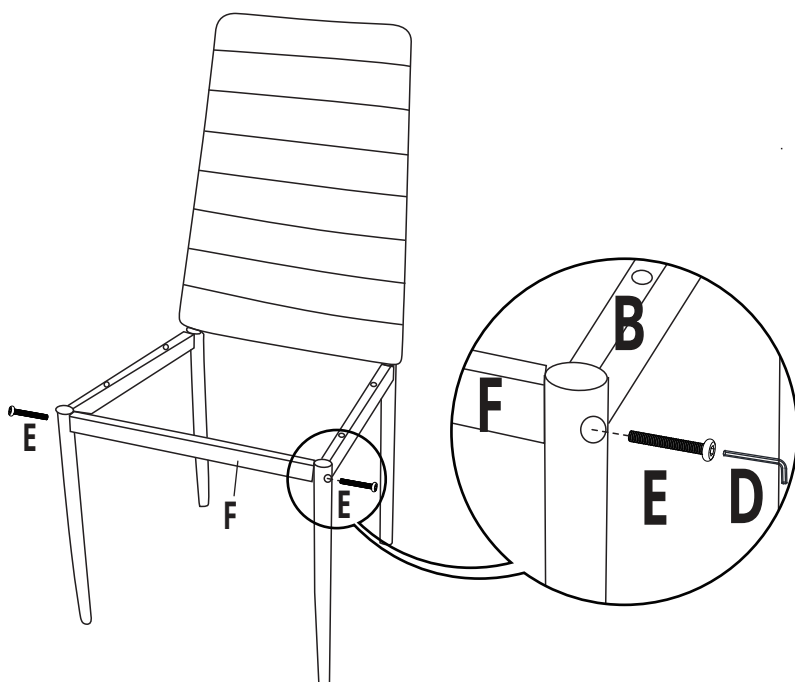


# ASSEMBLY INSTRUCTIONS

---

Step 2



F		1
E		2
D		1

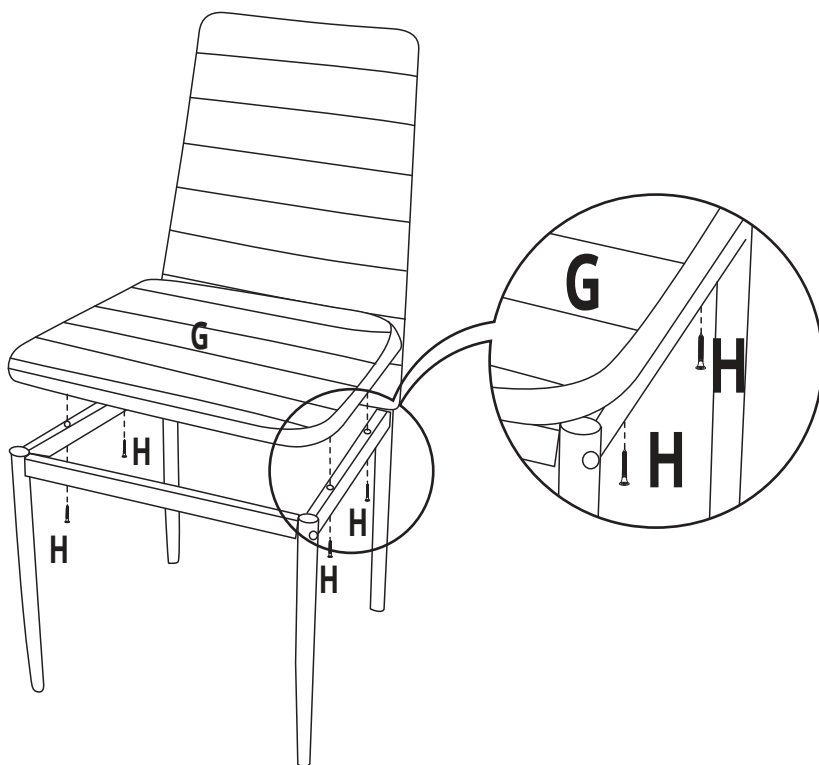


# ASSEMBLY INSTRUCTIONS

---

## Step 3

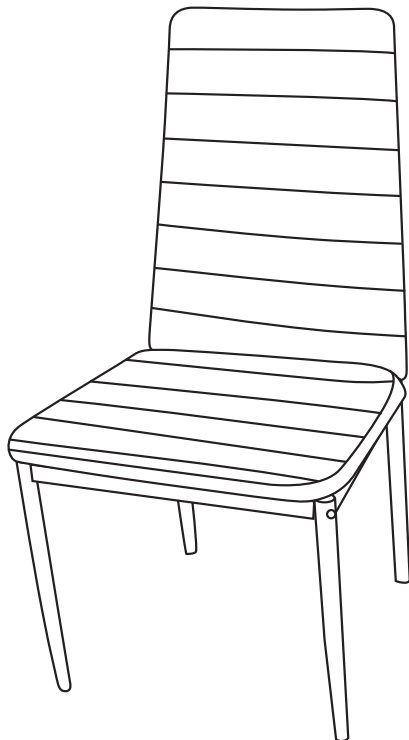
G		1
H		4



# ASSEMBLY INSTRUCTIONS

---

## Step 4



Congratulations! Now you have finished assembling the product. There may be some dust or hand marks on your item, we recommend using a lens cloth to clean this product.

## **IF YOU FIND A DEFECTIVE PART**

---

We fully stock all parts and components. Any defective part can be quickly replaced. Take note of the defective part number in manual and we will arrange a replacement.

## **COPYRIGHT**

---

All material in this instruction manual is copyrighted .

Any unauthorised use may violate worldwide copyright, trademark and other laws.