

# WARNING!!

Children have died from furniture tipover. Tip restraints have been included with this product; you must install the tip restraints according to these instructions in order to minimize the risk of furniture tipping.

**NEVER** allow children to climb or hang on furniture, including drawers or cabinet doors.

In addition to installing the restrains, to help prevent tip-over












1. **NEVER** put a TV or other heavy objects on top of this product".
2. Do not stand on the product

 <b>WARNING</b>	
	<p><b>Children have died from furniture tipover. To reduce the risk of furniture tipover:</b></p> <ul style="list-style-type: none"><li>-ALWAYS install anti-tip device provided.</li><li>-NEVER put a TV on this product.</li><li>-NEVER allow children to stand, climb, or hang on any drawers, doors, or shelves.</li><li>-NEVER open more than one drawer at a time.</li><li>-Place heaviest items in the lowest drawers.</li></ul> <p><i>This is a permanent label. Do not remove!</i></p>
	

# Assembly Instructions

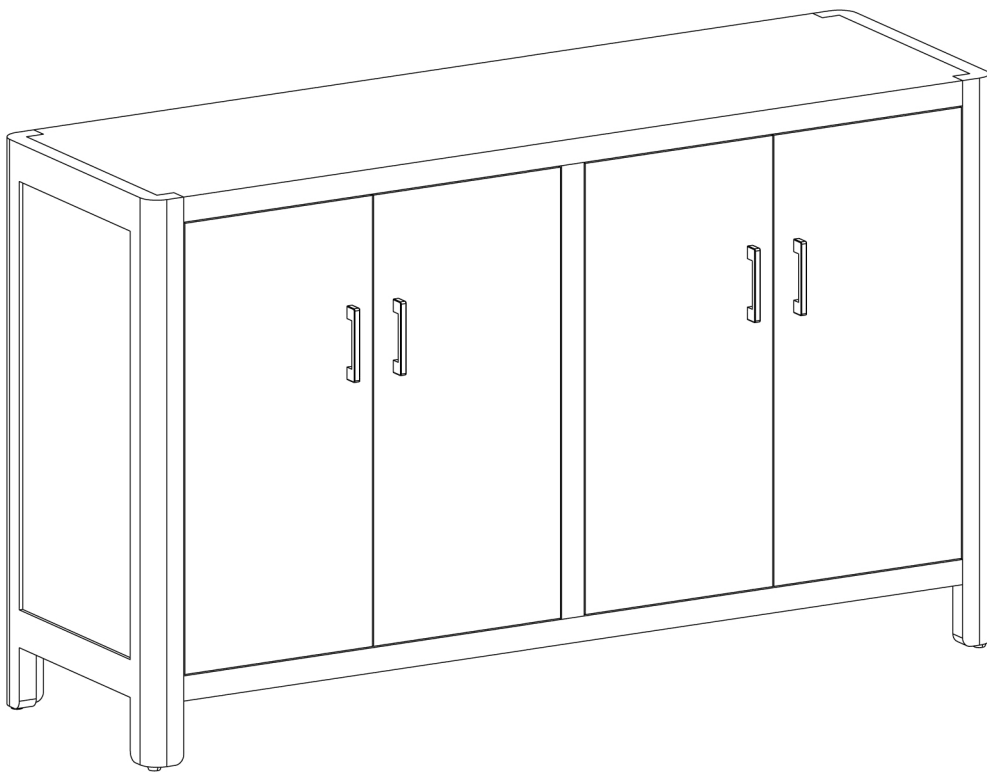
**Caution : You must read this before you proceed**

## Care & Maintenance

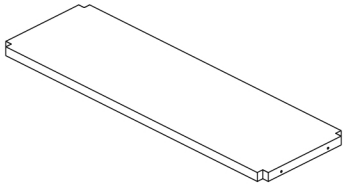
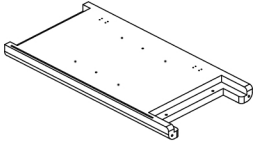
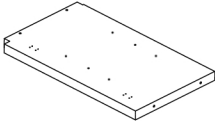
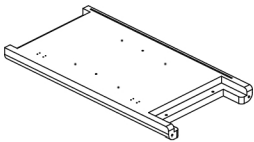
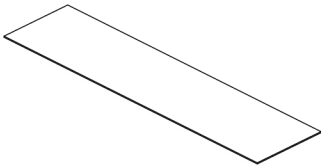
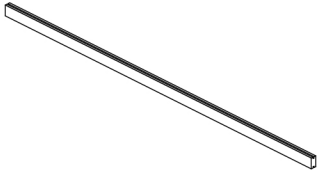
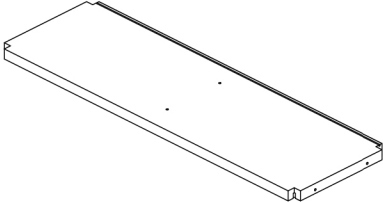
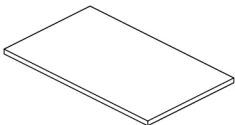
- ⊘  ● Not for commercial use. For residential use only.
- ✓  ● Furniture may scratch floors. We recommend using furniture pads to protect your floors.
- ⊘  ● Do not put hot items directly on furniture surface.
- ⊘  ● Do not clean furniture with harsh cleansers or polish.
- ⊘  ● Do not place furniture under direct sunlight.
- ⊘  ● Do not place furniture near heating or cooling vents.
- ⊘  ● Do not write on furniture without a padded barrier to protect the surface.
- ⊘  ● Do not place furniture outside . For indoor use only.
- ⊘  ● Stains may be removed with mild soap solution and damp cloth.
- ⊘  ● Children should not climb or jump on the furniture.
- ✓  ● Dust and pick-up spills using a clean, non-colored, lint-free cloth.

Please look in carton for hardware packs an legs.

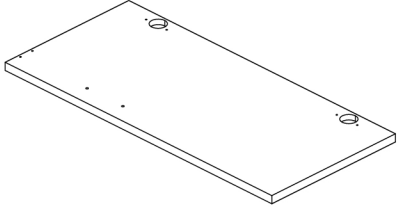
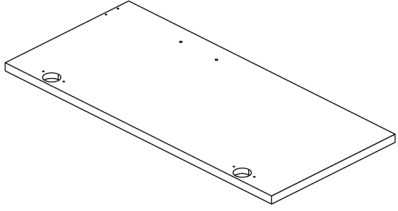

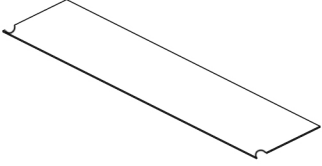
# SIDEBOARD







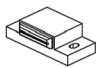


# Parts List

Label	Picture	Description	QTY
A		Top Panel	1
B		Right Side Board	1
C		Middle Clapboard	1
D		Left Side Board	1
E		Back board	1
F		Slot	1
G		Bottom panel	1
H		Shelf Board	2

# Parts List

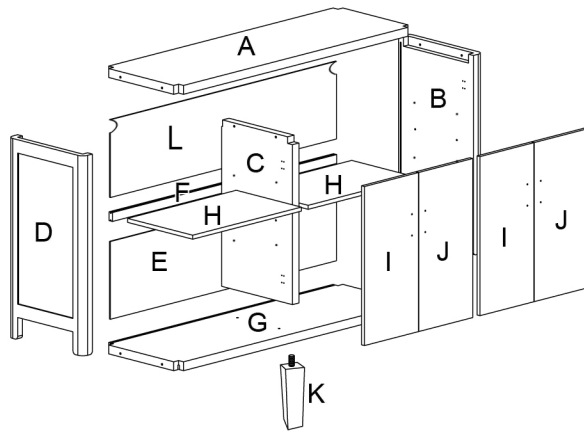
Label	Picture	Description	QTY
I	 A perspective drawing of a rectangular door panel with rounded corners. It has two circular holes on the top edge and two on the bottom edge, positioned towards the outer corners.	Left door	2
J	 A perspective drawing of a rectangular door panel, identical to part I, but oriented as a mirror image.	Right door	2
K	 A perspective drawing of a vertical, rectangular support leg with a threaded top section.	Middle support leg	1
L	 A perspective drawing of a long, thin rectangular board with a slightly raised edge on one side.	Back board	1

# Hardwares

Label	Picture	Description	QTY
①		Long bolt (M8*60mm)	3
②		Middle bolt (M8*40mm)	11
③		Short bolt (M4*25mm)	9
④		Screw (M4*16mm)	49
⑤		Flat washer	15
⑥		Shelf support pin	9
⑦		Magnetic door catch iron sheet	4
⑧		Magnetic door catch	4
⑨		Adjustable leveling glide	4
⑩		Handle	4
⑪		Hydraulic door hinge	8
⑫		Screw (M3*16mm)	25
⑬		Wrench	1
⑭		Backboard Buckle	9
<b>Tipover Restraint Device Hardware</b>			
⑮		Anti-tip Anchoring Strap	2
⑯		Expansion Plug	2
⑰		Long screw (M4*40mm)	3
⑱		Short screw (M4*12mm)	3

# Assembly Preparation

Before Beginning Assembly:



①	X3	⑨	x4
②	X11	⑩	x4
③	X9	⑪	x8
④	X49	⑫	X25
⑤	X15	⑬	X1
⑥	X9	⑭	X9
⑦	x4	⑮	X2
⑧	x4	⑯	X2
		⑰	X3
		⑱	X3



- Read instructions, cover to cover-



- Have 2 adults on hand for assembly-



- Do not assemble on flooring or carpet-



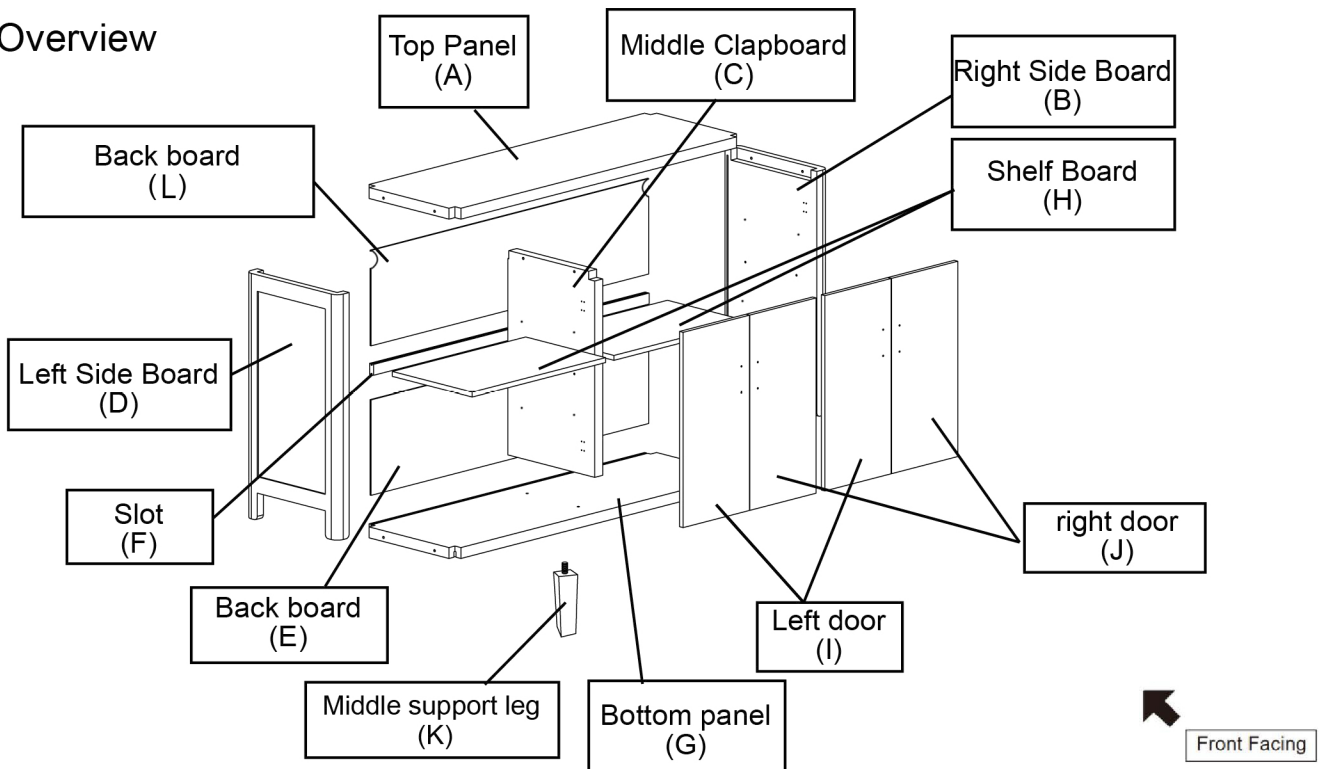
- Assemble on a clean non-marring surface (packing foam)-



- Save all packaging until finished-

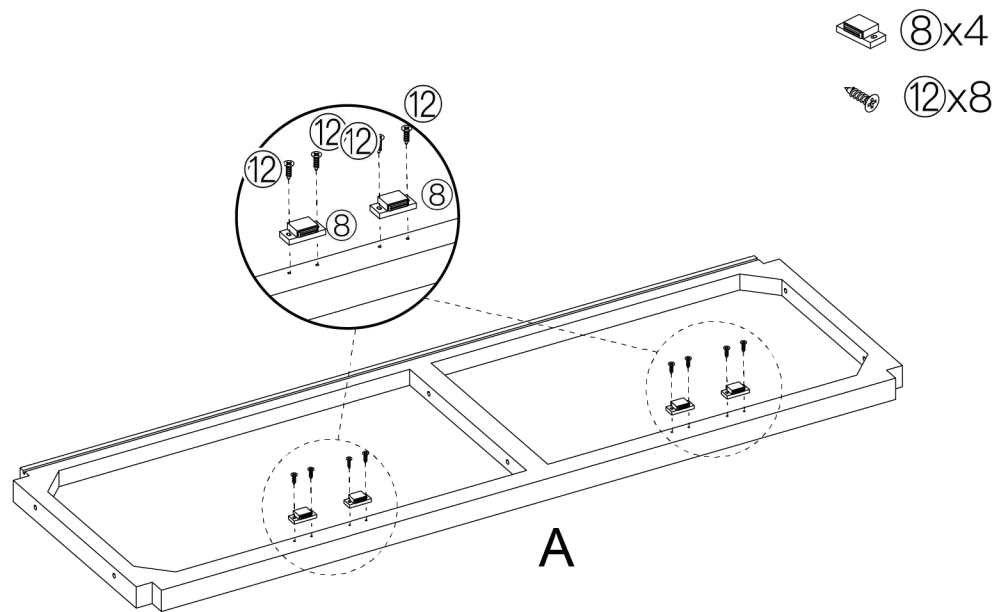
# Assembly Steps

Overview



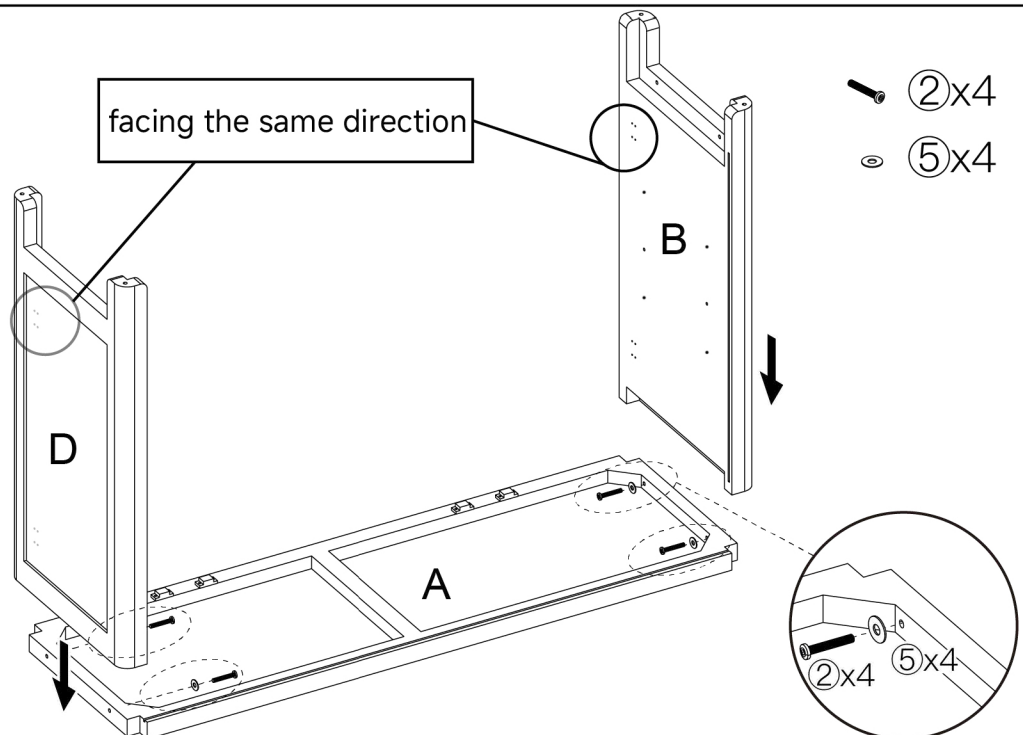
This sideboard has multiple parts and may require up to some 45 minutes to assemble. To give you an overview of the sideboard parts, the above picture is to help you put the various parts into perspective. Please read through the instructions below to familiarise yourself with the parts and steps before assembly.

## Step 1



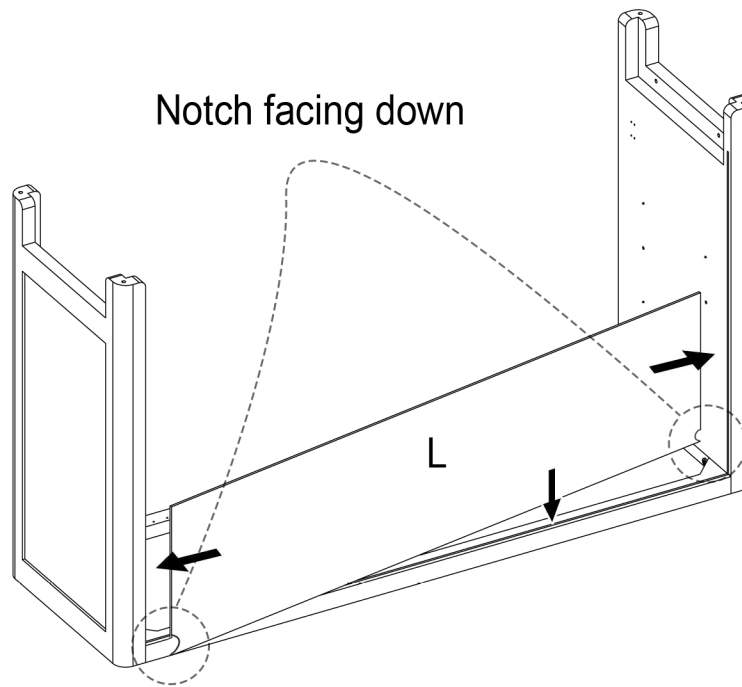
Attach magnetic door catch (8) to the top panel (A) with screw (12).

## Step 2



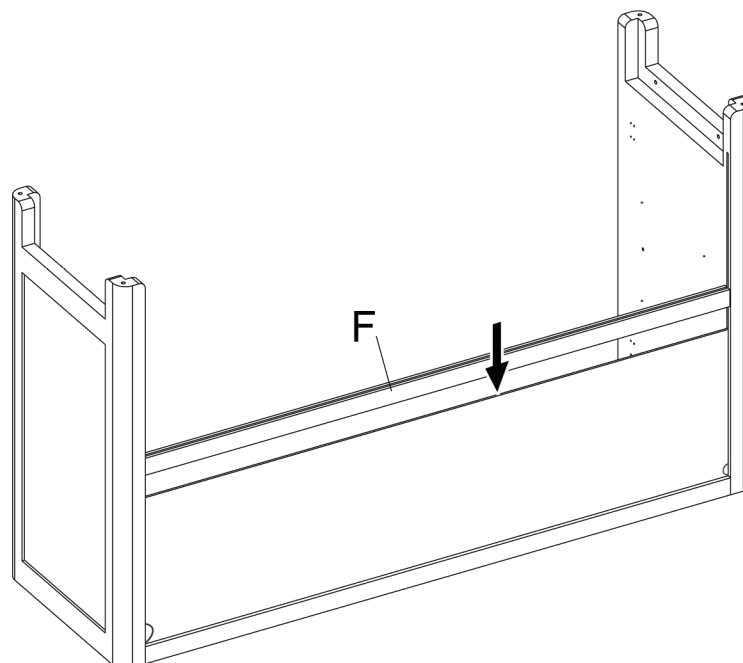
Attach the right side board(B), left side board(D) to the top panel(A) with middle bolt (2) and flat washer (5). ATTENTION: All the grooves must be stay in one side(backside).

### Step 3



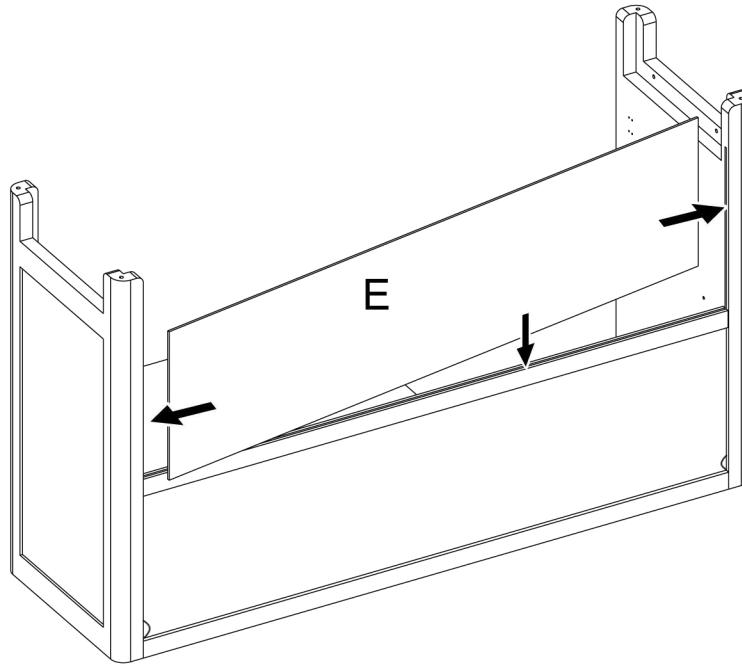
Insert the back board (L) to the grooves. ATTENTION:Notch facing down.

### Step 4



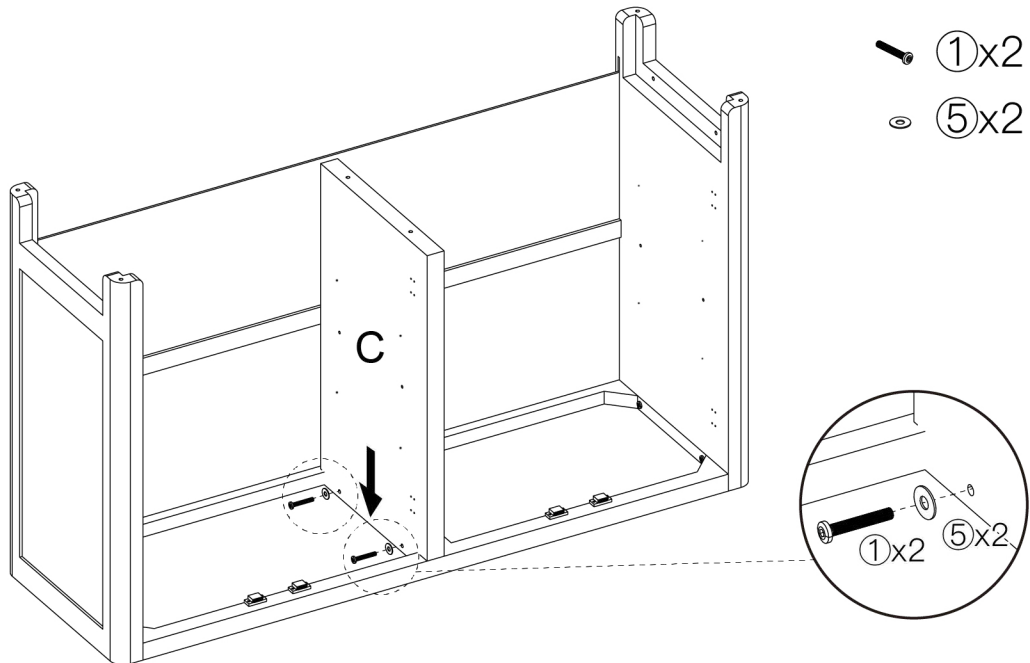
Insert the slot(F) to the grooves.

## Step 5



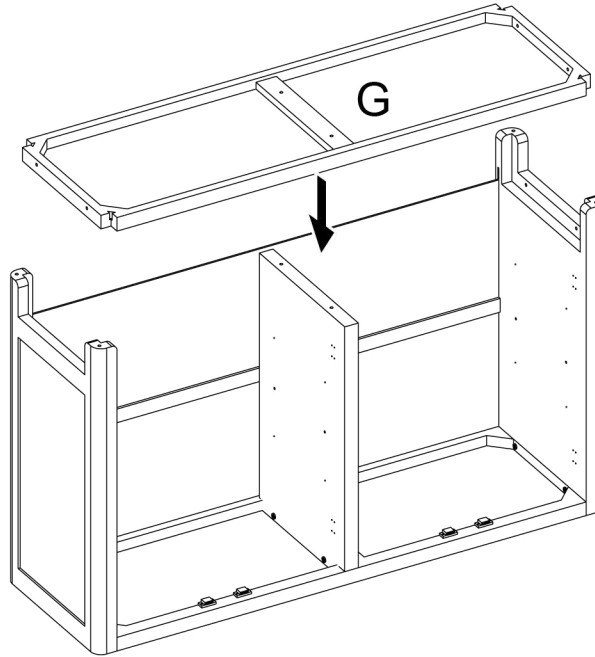
Insert the back board (E) to the grooves.

## Step 6



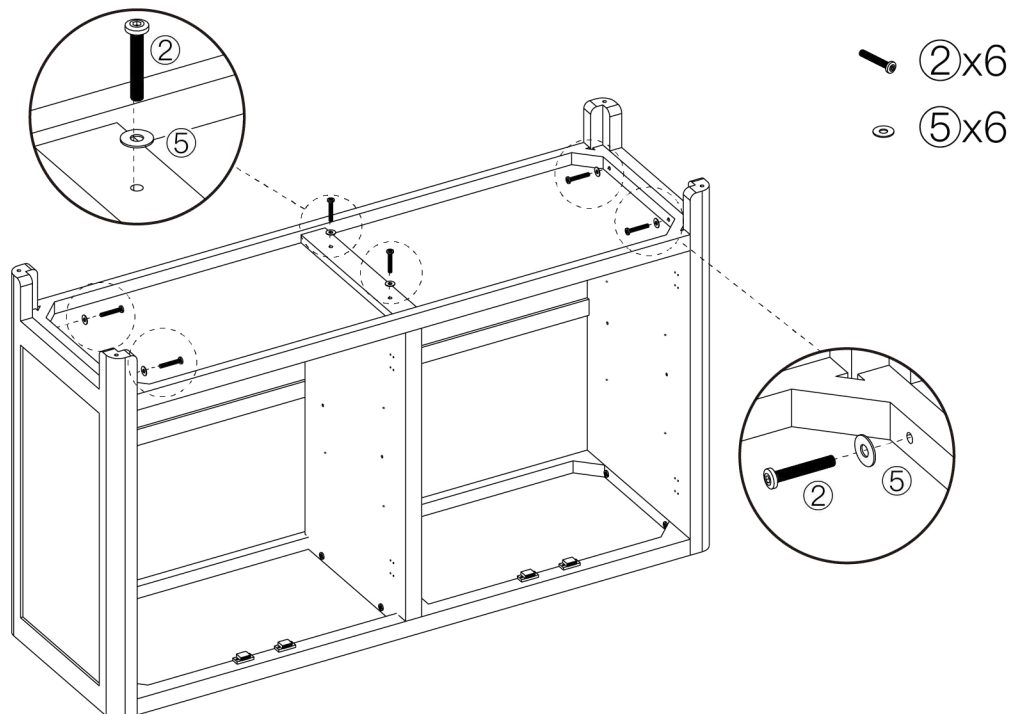
Attach the middle clapboard (C) to the top panel(A) with long bolt(①)and flat washer(⑤).

## Step 7



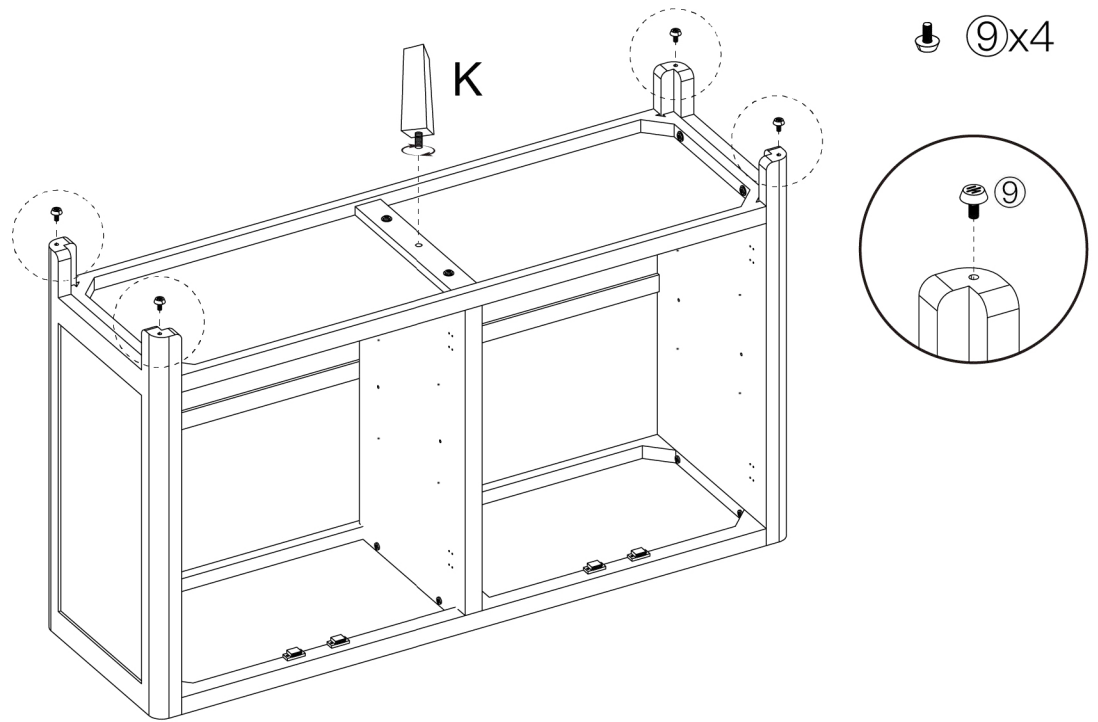
Align the bottom panel (G) to the middle clapboard (C) 、 right side board(B) and left side board(D).

## Step 8



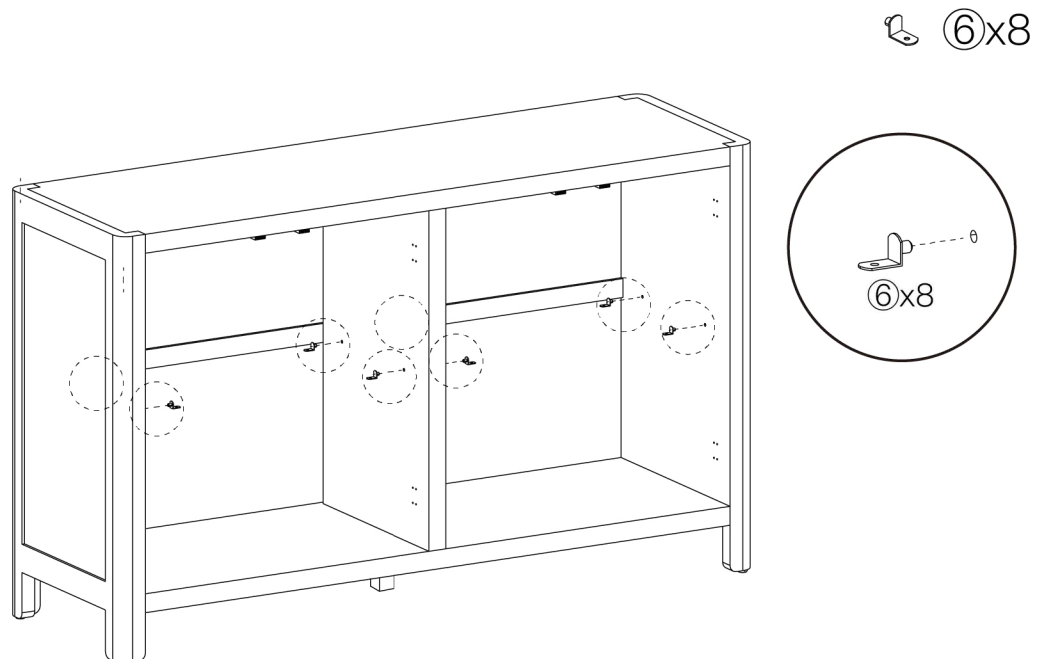
Attach the bottom panel (G) to the middle clapboard(C) 、 right side board(B) and left side board (D) with middle bolt (②) and flat washer(⑤).

## Step 9



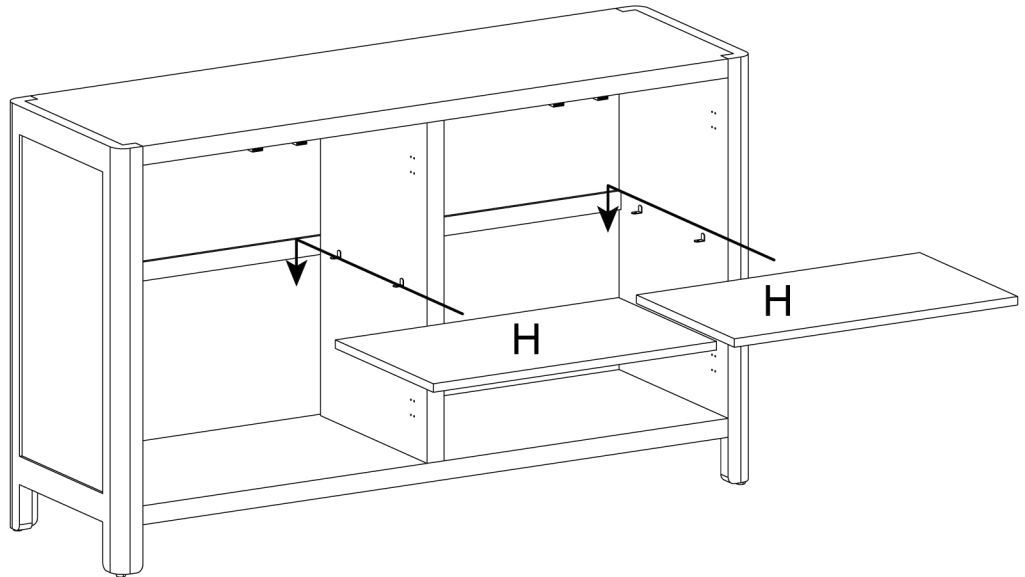
Screw the adjustable leveling glide(9) to the 4 legs on right side board(B)and left side board(D), and then screw middle support leg (K) on the back of the bottom panel(G).

## Step10



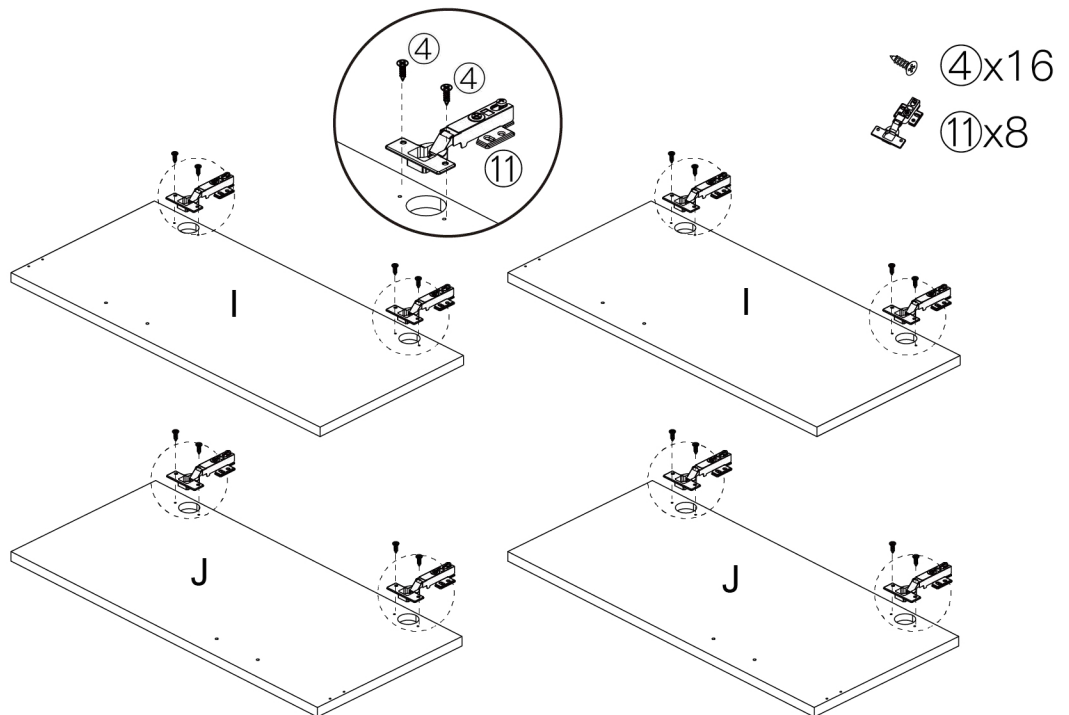
Stand the mounted sideboard up, and insert shelf support pin(6) into each panel hole.

## Step11



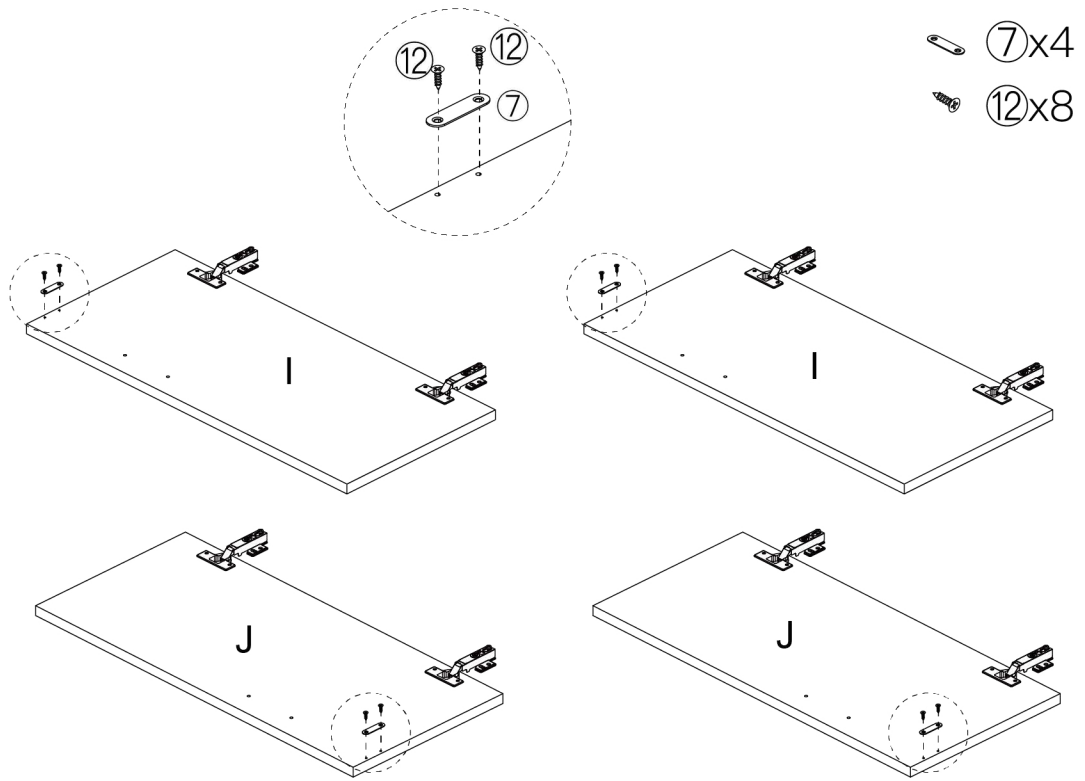
Put the Shelf Board(H) on the shelf support pin(⑥).

## Step12



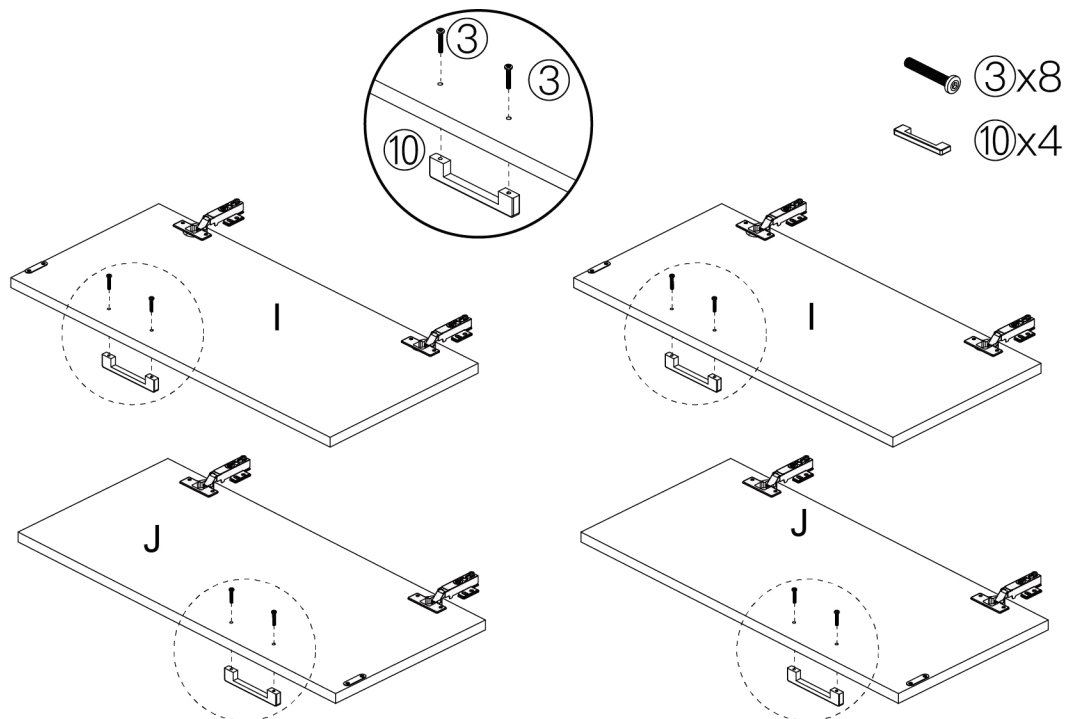
Install the hydraulic door hinge ( ⑪ ) on the hole side of the left door(I) and right door (J) with screw( ④ ).

## Step13



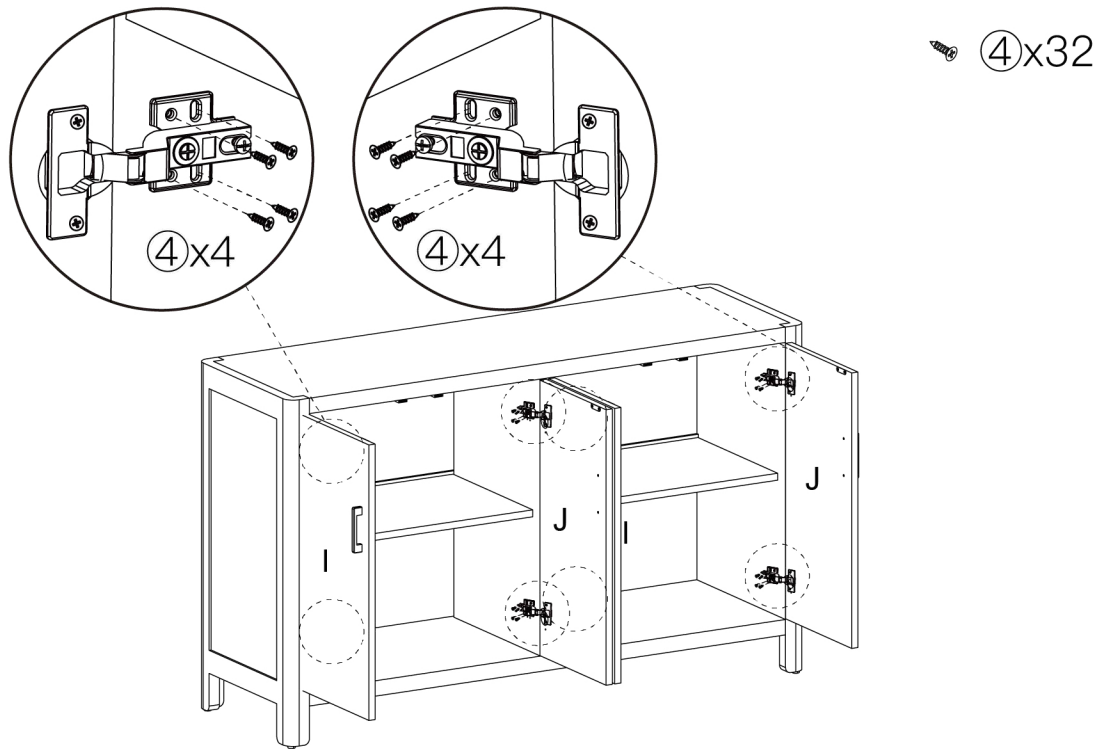
Install the magnetic door catch iron sheet ( ⑦ ) on the back of the left doors'(I) and right doors'(J) predrilled hole with screw( ⑫ ).

## Step14



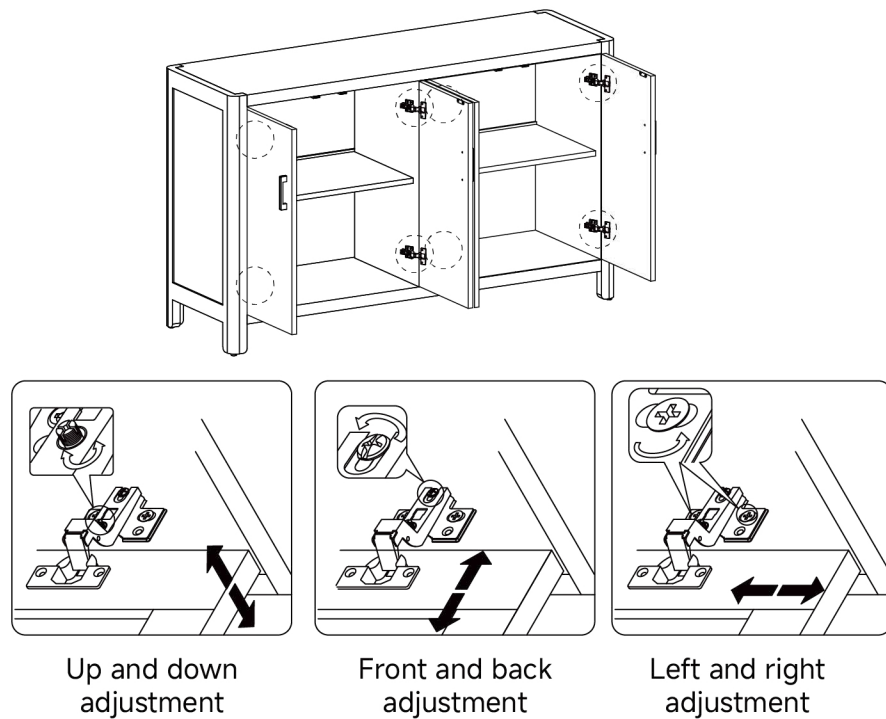
Install the handle( ⑩ ) on the front of the left doors'(I) and right doors'(J) predrilled hole position with short bolt( ③ ).

## Step15



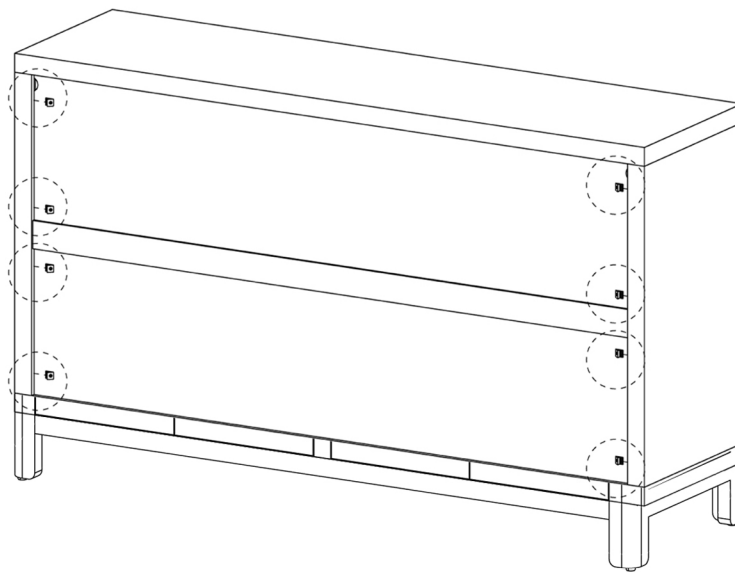
As shown on the order of picture , use the screw ( ④ ) to connect the hydraulic door hinge ( ⑪ ) to the sideboard body.

## Step16



Adjust the hydraulic door hinge ( ⑪ ) to make sure the doors in the same level.

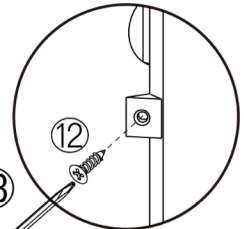
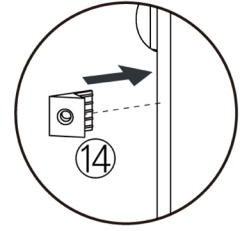
## Step17



⑭x8

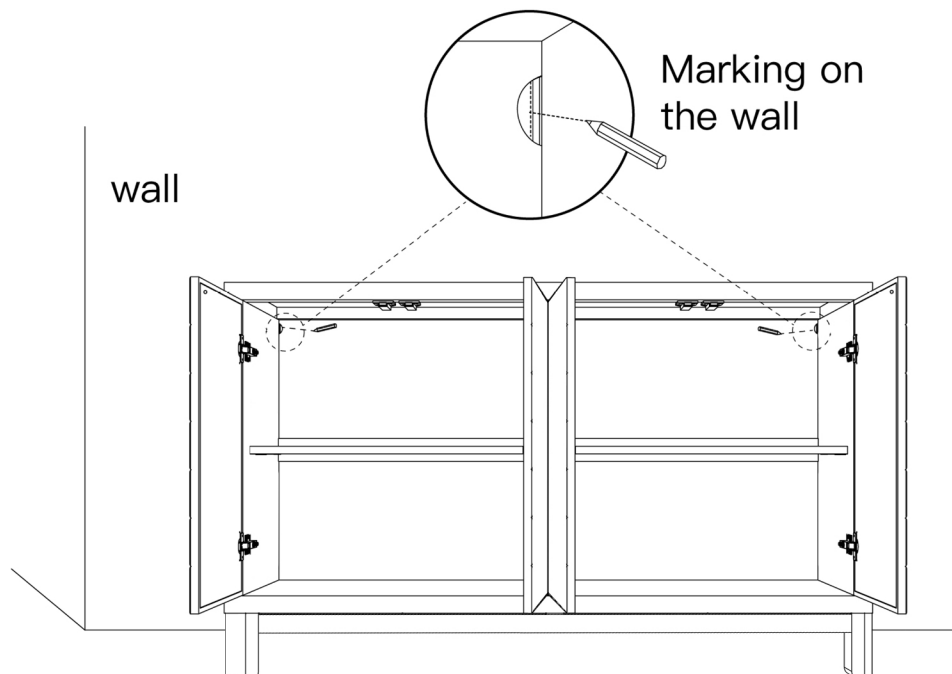
⑫x8

⑬x1



Insert backboard buckle (⑭) along the backboard and fix with screw(⑫).

## Step18

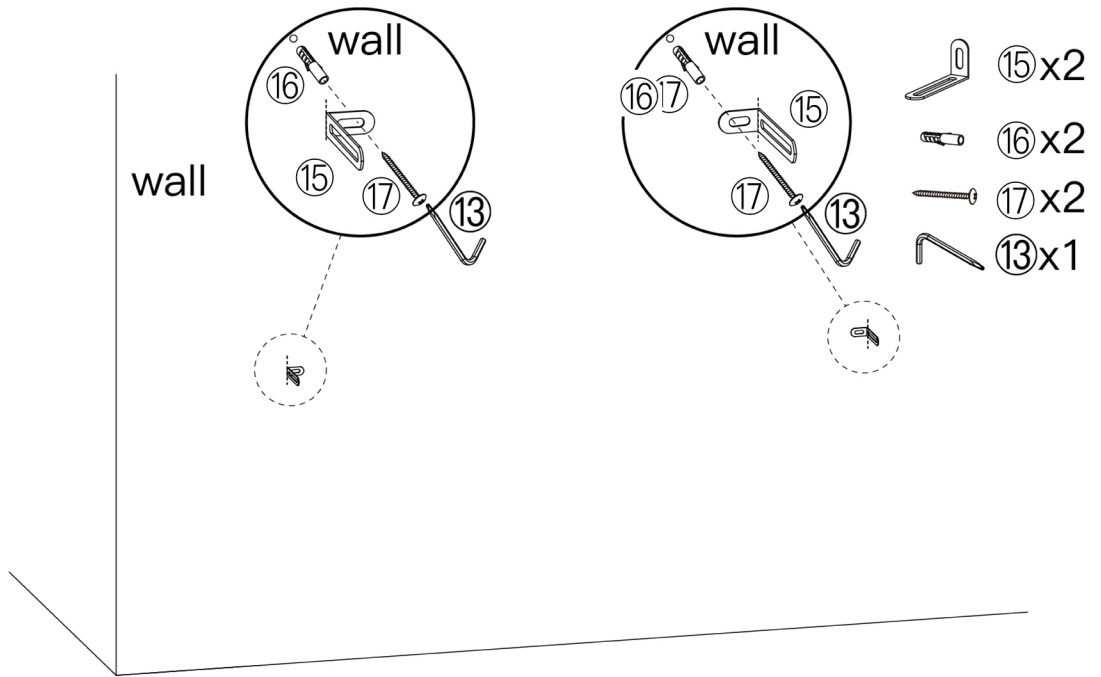


Marking on  
the wall

wall

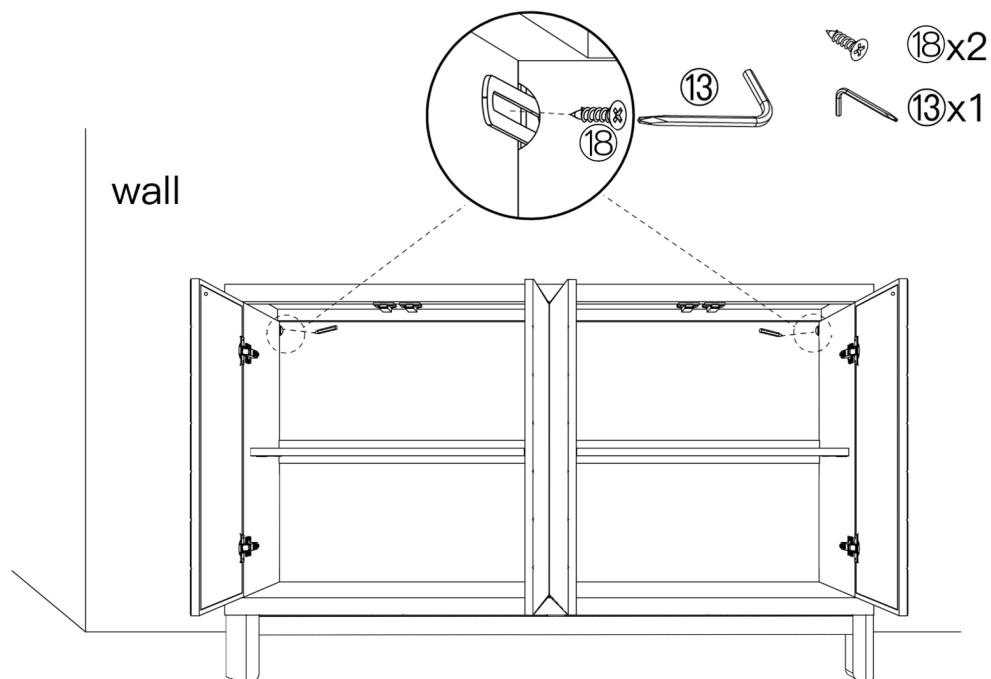
Place the sideboard against the wall. Mark the positions for the expansion plug on the wall.

## Step19



Drill holes on the wall in marking position, insert expansion plugs(16) into the holes, align with the expansion plugs (16), install the short side of anti-tip anchoring strap (15) with long screw(17).

## Step20



Attach the long side of anti-tip anchoring strap (15) to the right side board(B) & left side board(D) with short screw(18).

## Step 21



The sideboard is ready to use.

## "Questions & Answers about Proposition 65

- What is Proposition 65?

Proposition 65 requires businesses to provide warnings to Californians about significant exposures to chemicals that cause cancer, birth defects or other reproductive harm. These chemicals can be in the products that Californians purchase, in their homes or workplaces, or that are released into the environment. By requiring that this information be provided, Proposition 65 enables Californians to make informed decisions about their exposures to these chemicals.

Proposition 65 also prohibits California businesses from knowingly discharging significant amounts of listed chemicals into sources of drinking water. Proposition 65 requires California to publish a list of chemicals known to cause cancer, birth defects or other reproductive harm. This list, which must be updated at least once a year, has grown to include approximately 900 chemicals since it was first published in 1987.

- What types of chemicals are on the Proposition 65 list?

The list contains a wide range of naturally occurring and synthetic chemicals that include additives or ingredients in pesticides, common household products, food, drugs, dyes, or solvents. Listed chemicals may also be used in manufacturing and construction, or they may be byproducts of chemical processes, such as motor vehicle exhaust. "