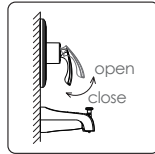


BEFORE INSTALLATION

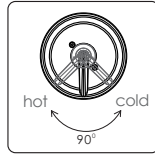
- To insure proper installation, please read the following instructions carefully.
- Please make sure that the water supply has been shut off at the stop valve.
- NEWATER reserves the right to update product without notice.

Application Instruction

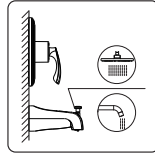
1. Gradually pull the handle, it will be more advangeous to ptotect the cartridge.



2. Pull the handles top is open, the angle you pull are more, the flow rate is becoming large, conversely the angle you pull are small, the flow rate is becoming little till close.

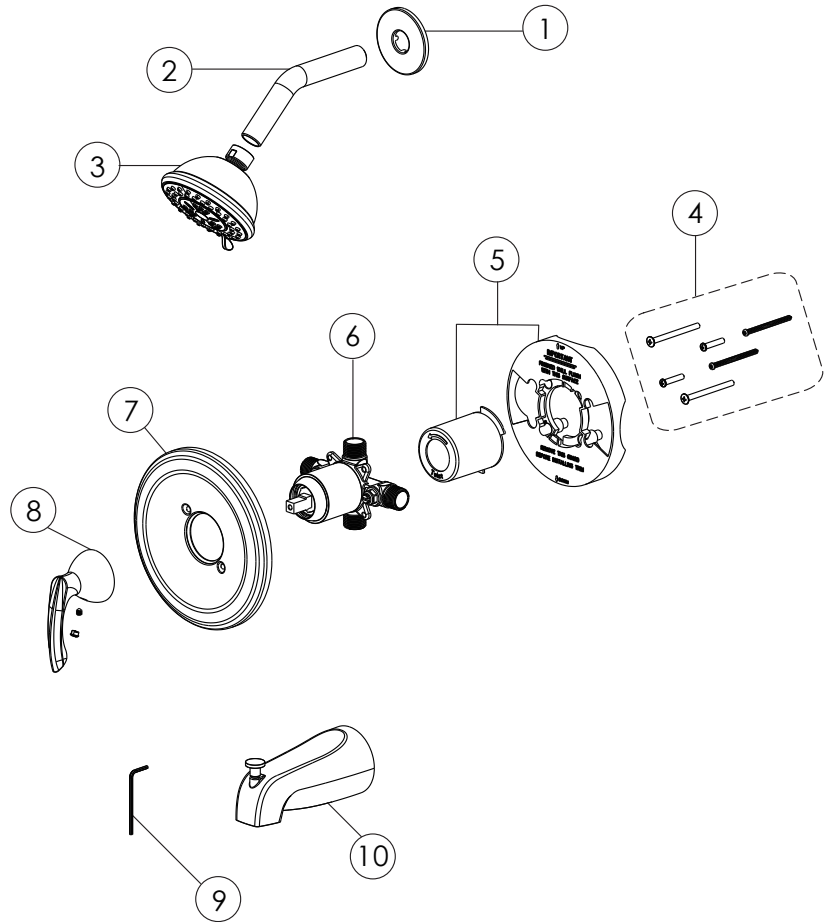


3. When pull the handles top, then turn left, the water out let is hot water; gradually turn left, the flow rate is larger; turn right, the water out let is cold water; gradually turn right, the flow rate is larger.

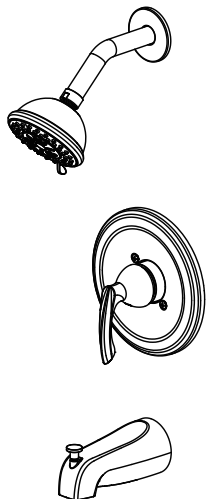


4. Pull up the knob on the bath spout seitching to head shower water, every open it will stay in bath spout water.

Standard Part List



Wall-mounted shower/bath mixer Installation Instruction



NO.	Part Name	Quantity	NO.	Part Name	Quantity
1	Rosette	1	6	Body	1
2	Tube	1	7	Plate	1
3	Shower	1	8	Handle Assy	1
4	Fixing Set	1	9	Tool	1
5	Protective Cover	1	10	Spout	1

· Every once in a while, please rinse the faucet with lukewarm soapwater , and wipe it clean with a soft duster cloth. Please avoid any abrasive cleaners, steel wools, or corrosive chemicals.

BEFORE INSTALLATION

- To insure proper installation, please read the following instructions carefully.
- Please make sure that the water supply has been shut off at the stop valve.
- NEWATER reserves the right to update product without notice.

Installation Steps

<p>1</p>	<p>50-60mm Decorative Wall 150mm</p>	<p>3</p>	<p>4</p>
<p>1.Refer to the size for the mixer, then chamfer the position for the body part and for the hot and cold water tube into the wall.</p>			
<p>2</p>	<p>Cement Wall 50-60mm Decorative Wall</p>		
<p>2.Tight the⑥Wall-mounted Base on the wall with 2 screws, then connect to the hot & cold tube. Turn on water supply to check if there is leakage for every components. Cover and lay the decorative wall.</p>	<p>3.Remove the protective cover and short screws, adjust to the right position and cover the plate with long screws, then lock the handle with screws.</p>	<p>4.Connect the①②③head shower and⑩spout.</p>	