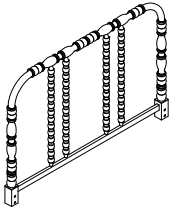


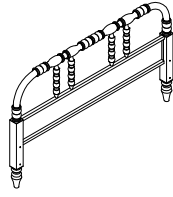
ASSEMBLY INSTRUCTION

E138BT METAL SPOOL TWIN BED

A Headboard **B** Footboard **C** Extension Leg - Left **D** Extension Leg - Right



1pc



1pc

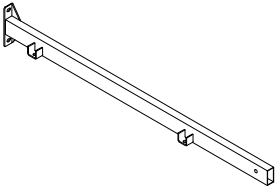


1pc

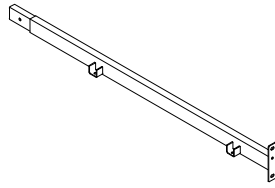


1pc

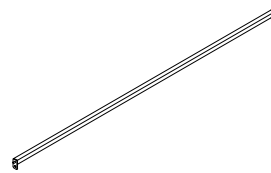
E Side Rail - Front **F** Side Rail - Rear **G** Bar **H** Slat - Front / Rear



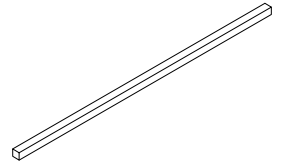
2pcs



2pcs

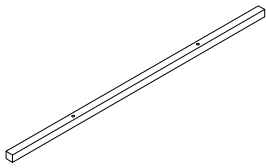


1pc



2pcs

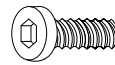
I Slat - Middle **J** Support Leg **K** Bolt $\text{\O}1/4" \times 5/8"$ **L** Bolt $\text{\O}1/4" \times 1-3/4"$



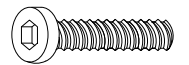
2pcs



4pcs



24pcs



4pcs

M Bolt $\text{\O}1/4" \times 2-1/4"$ **N** Flat Washer $\text{\O}1/4" \times 16\text{mm}$ **O** Allen Key M4 **P** Nut $\text{\O}1/4"$



4pcs



36pcs



1pc

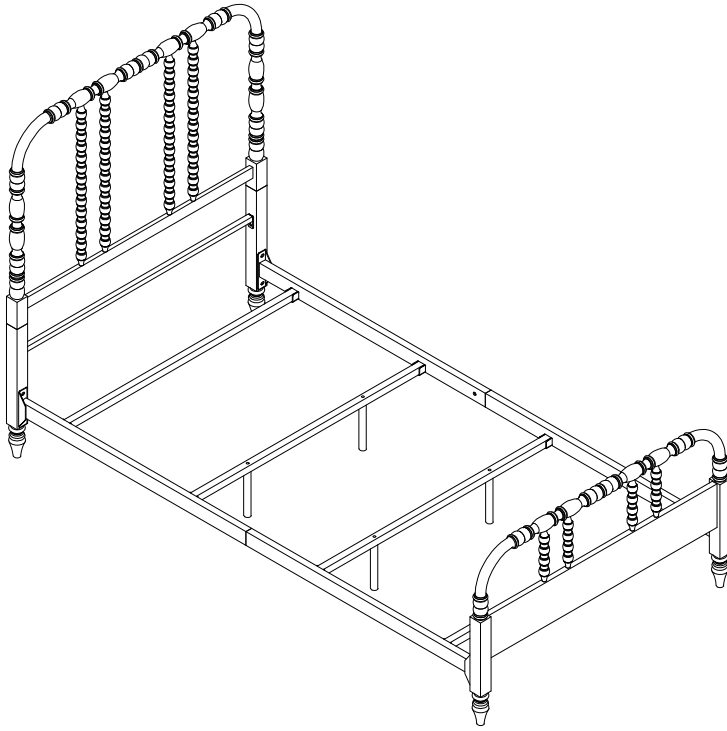


4pcs

Q Spanner $\text{\O}1/4"$



1pc

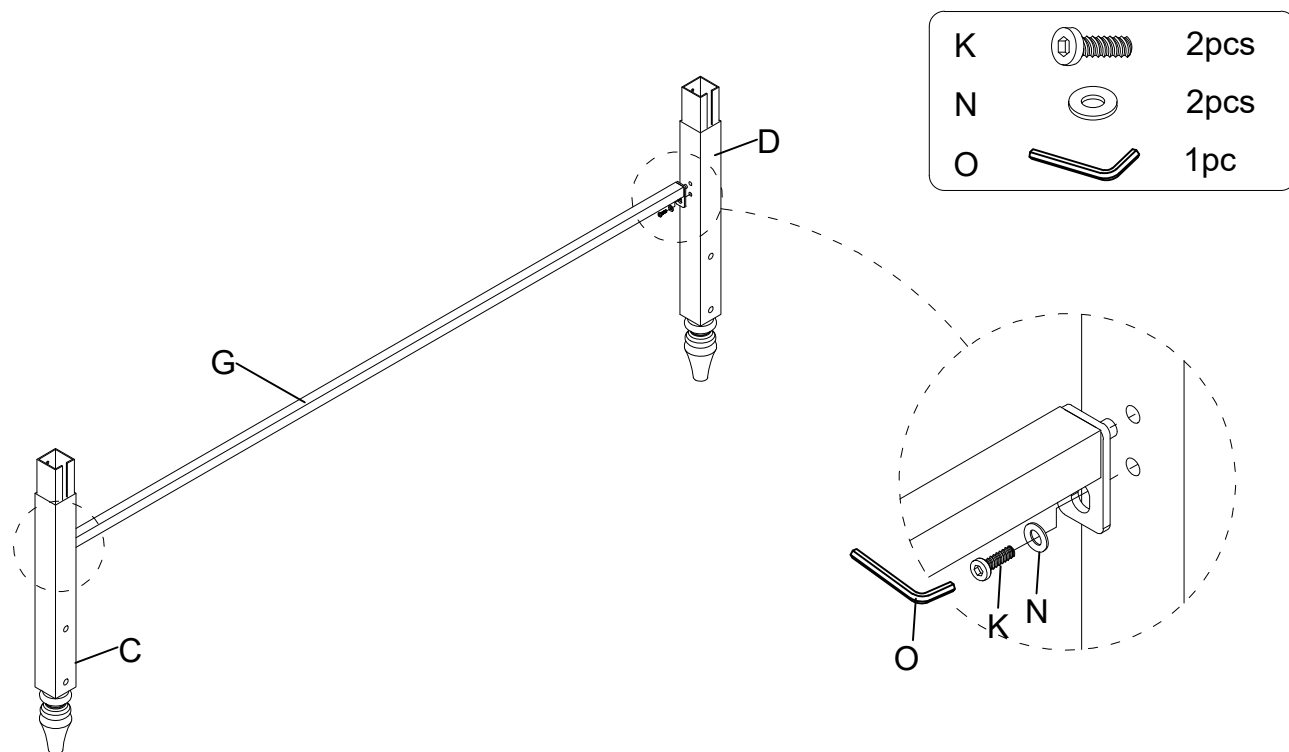


The first and second pages list all the contents included in the box. Please take the time to identify the hardware as well as the individual components to this product. As you unpack and prepare for assembly, place the contents on a carpeted or padded area to protect them from damage.

WARNINGS:

- Use only mattress which is 74"-75" long and 37.5"- 38.5" wide.
- Do not allow horseplay or under the bed and prohibit jumping on the bed.
- Periodically check and ensure that all the components are in their proper position, free from damage, and that all connectors are tight.
- Do not use substitute parts, contact the store for replacement part.
- Maximum total loading weight is not to exceed 400 lbs.
- **Keep these instructions for future reference.**

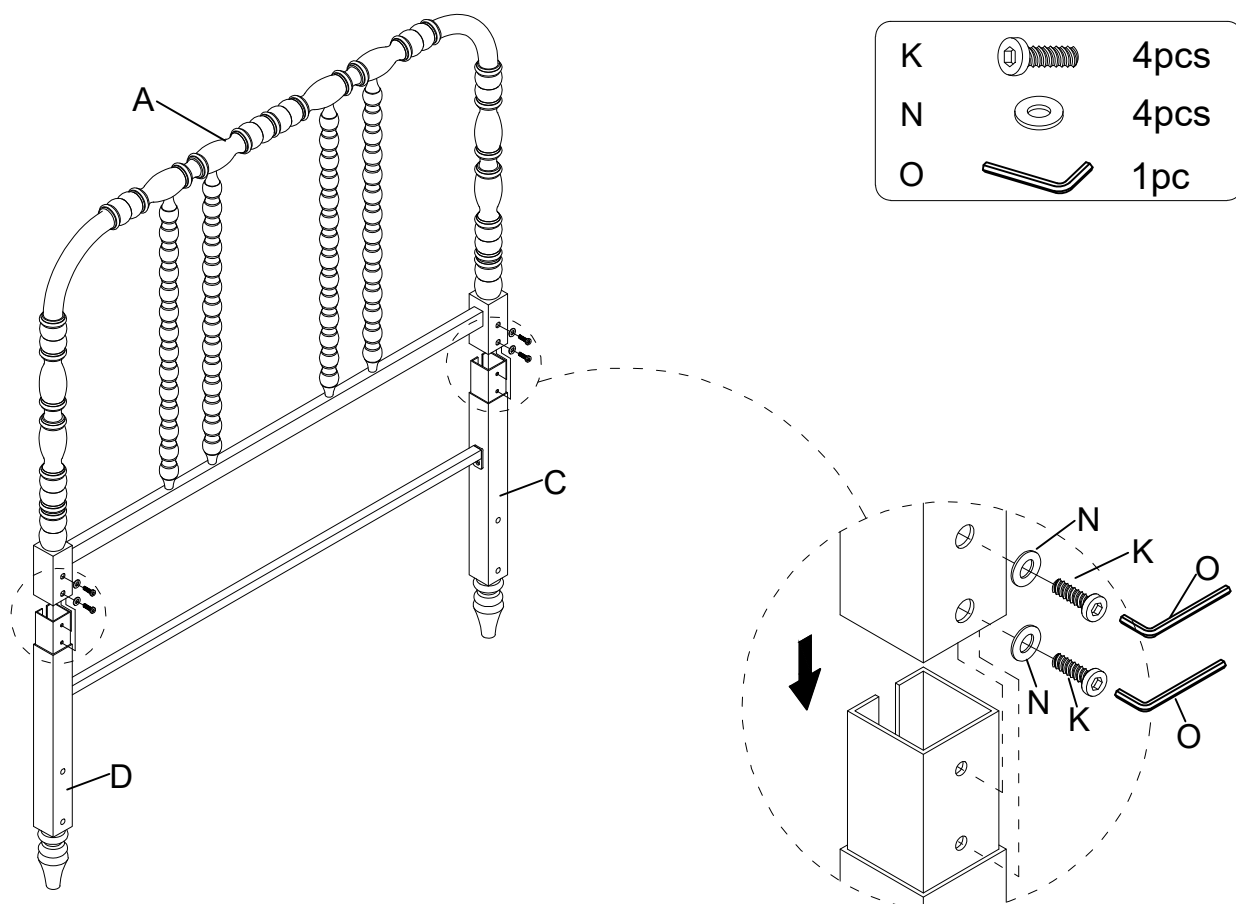
1 Assemble Bar (G) to Extension Leg - Left (C) & Extension Leg - Right (D), using Bolt (K) & Flat Washer (N) by Allen Key (O) as below shown.



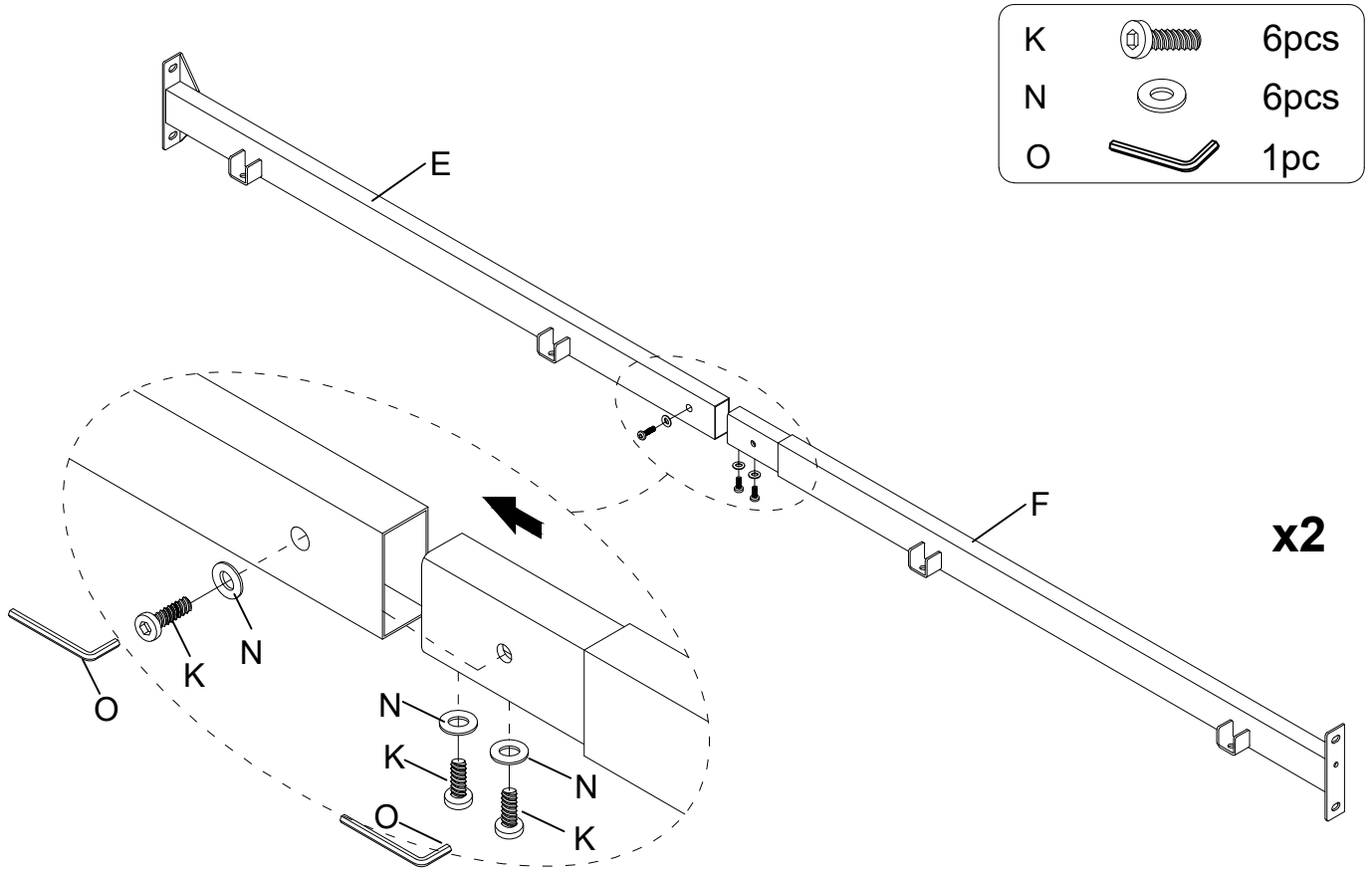
Remind:

Do not fully tighten all bolts until assembly is complete.
This will help all parts to assemble properly.

2 Insert Headboard (A) to pre-assembled Extension Leg - Left (C) & Extension Leg - Right (D), using Bolt (K) & Flat Washer (N) by Allen Key (O) as below shown.

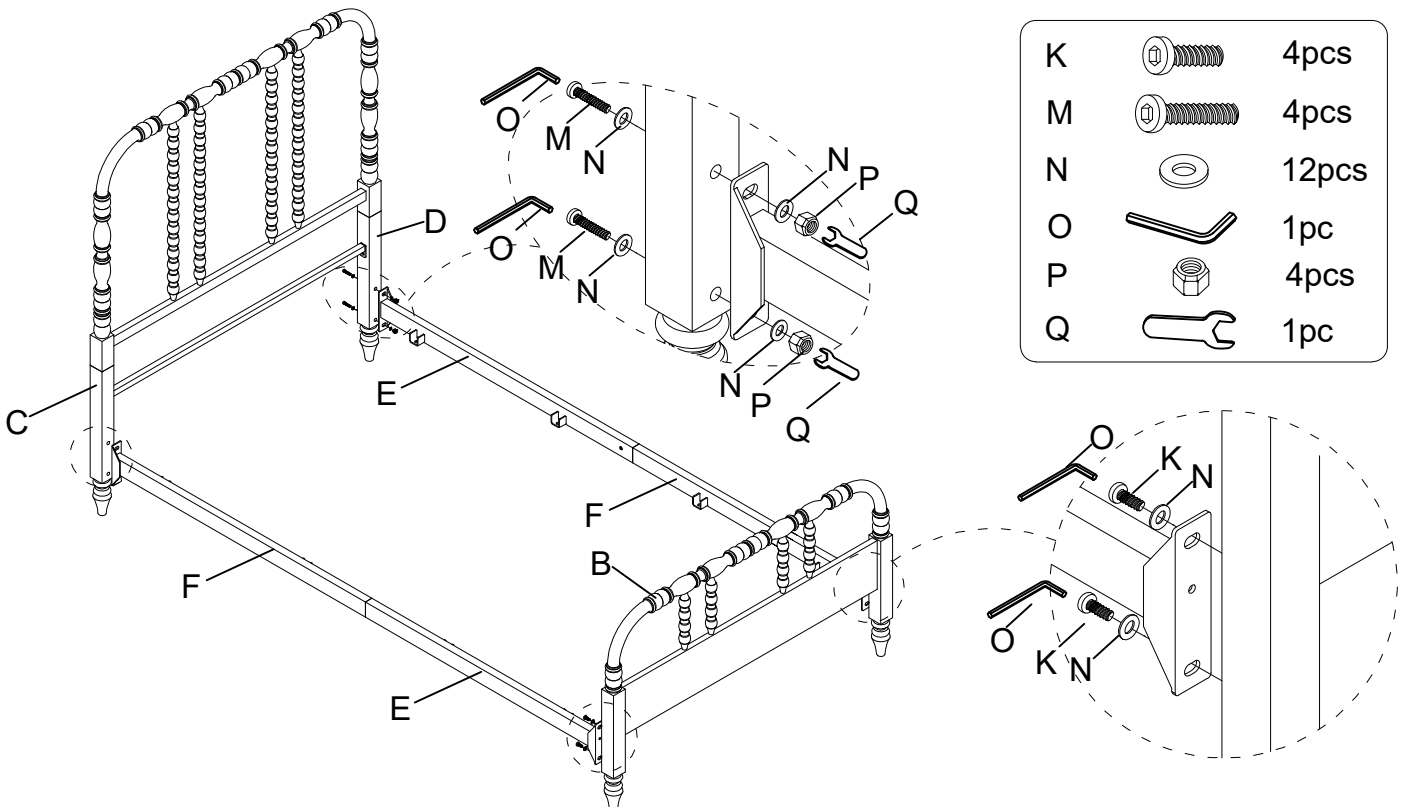


3 Insert Side Rail - Rear (F) to Side Rail - Front (E), using Bolt (K) & Flat Washer (N) by Allen Key (O) as below shown.

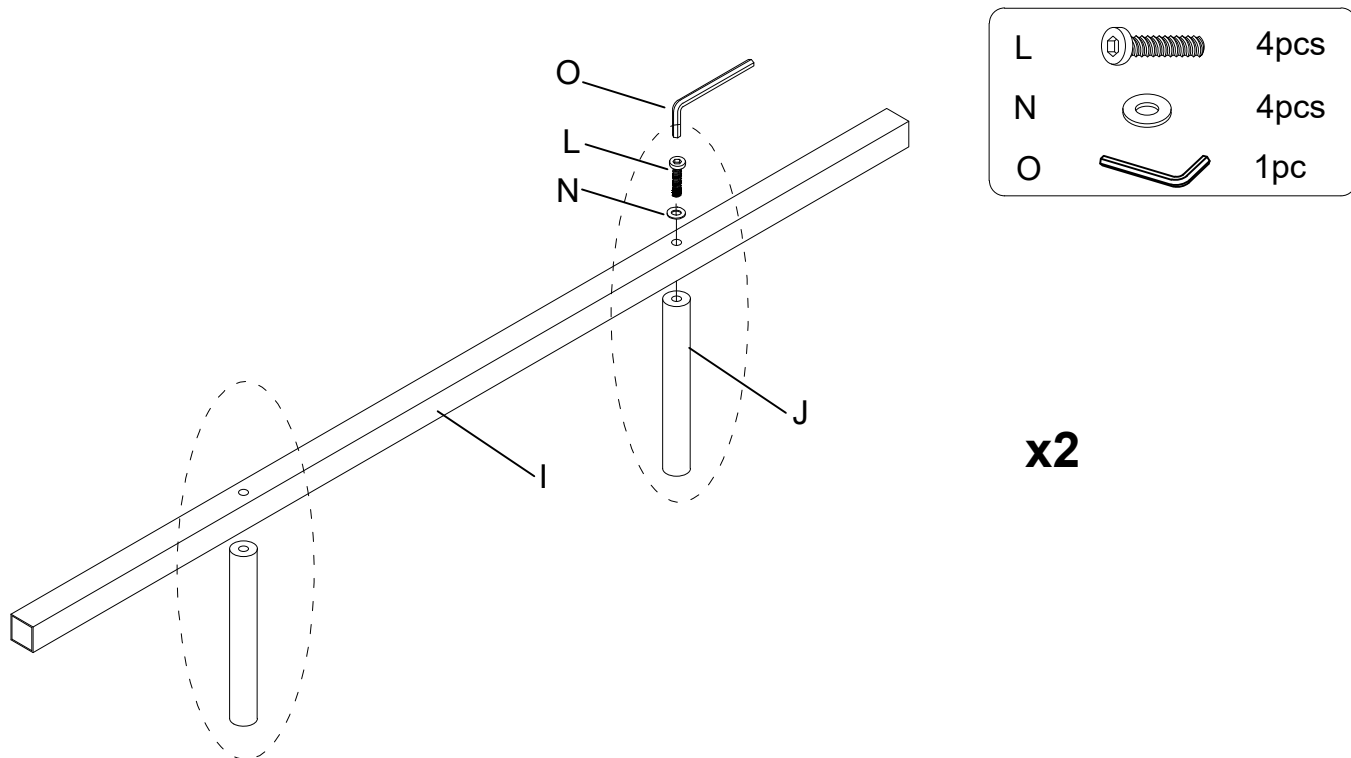


4 Assemble the pre-assembled Side Rail - Front (E) & Side Rail - Rear (F) to pre-assembled Extension Leg - Left (C) & Extension Leg - Right (D) of headboard, using Bolt (M) & Flat Washer (N) by Allen Key (O), and using Nut (P) & Flat Washer (N) by Spanner (Q) to lock at the same time.

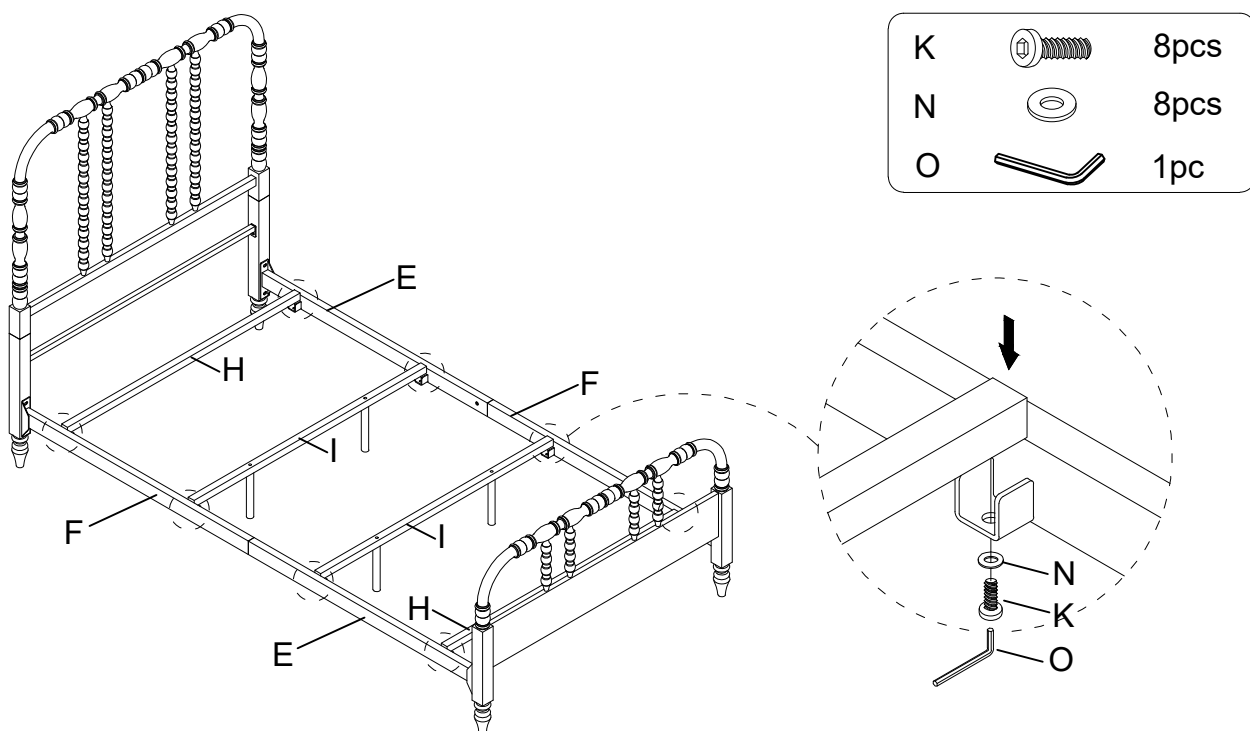
Assemble the pre-assembled Side Rail - Front (E) & Side Rail - Rear (F) to Footboard (B), using Bolt (K) & Flat Washer (N) by Allen Key (O) as below shown.



5 Attach the Support Leg (J) to Slat - Middle (I), using Bolt (L) & Flat Washer (N) by Allen Key (O) as below shown.



6 Attach Slat - Front / Rear (H) and the pre-assembled Slat - Middle (I) to Side Rail - Front (E) & Side Rail - Rear (F), using Bolt (K) & Flat Washer (N) by Allen Key (O) as below shown.



Adjust any parts out of alignment and tighten all bolts and screws from steps 1 through 6.

Cleaning & Care

Treat surface with care. Surface is resistant to scratches but is not scratch resistant. Clean surfaces with a dry or damp soft cloth. Do not use abrasive cleaners. Hardware may loosen over time. Periodically check that all connections are tight.