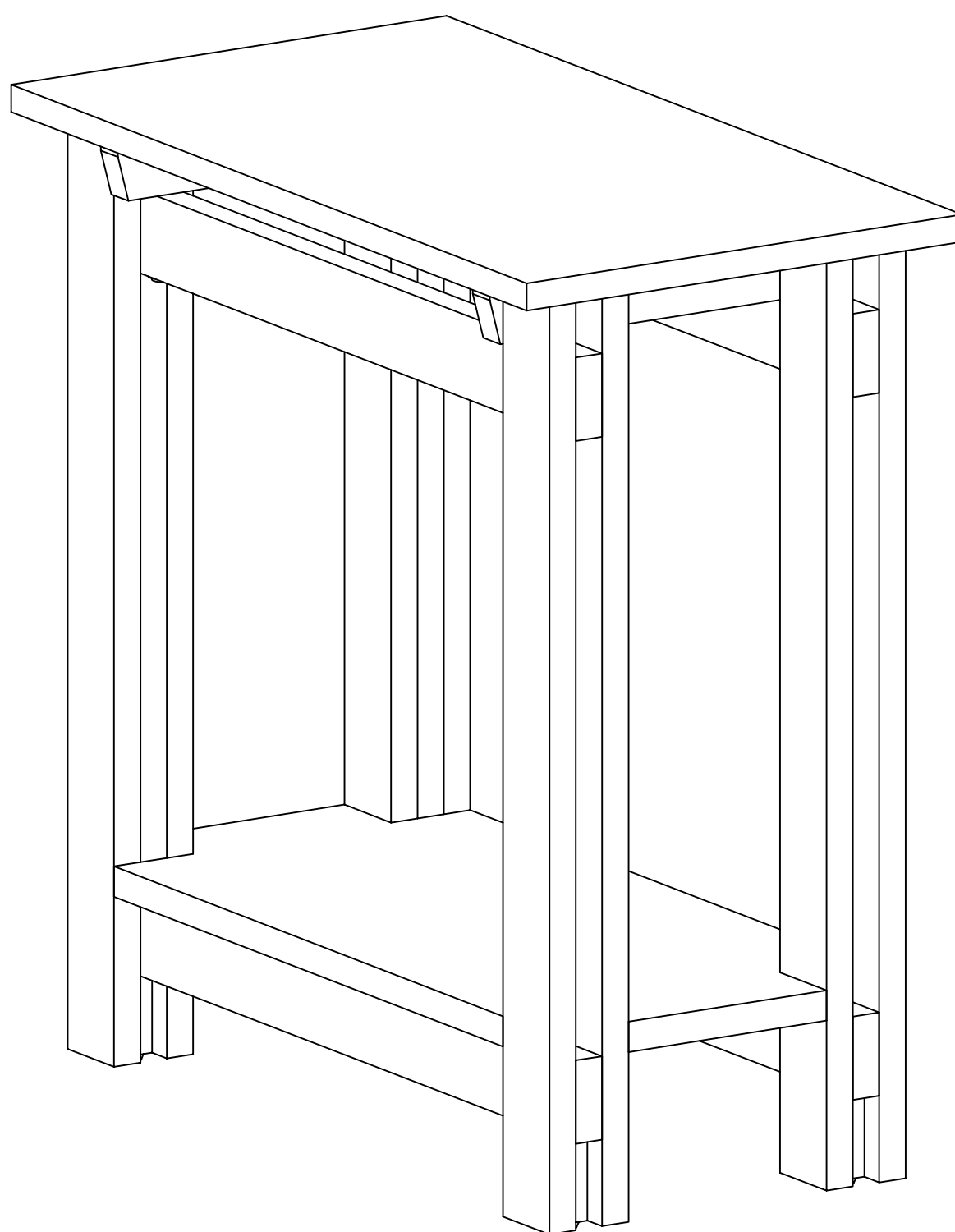


ASSEMBLY INSTRUCTIONS

ARCHITECTURAL RECLINER TABLE DARK MAHOGANY

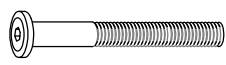




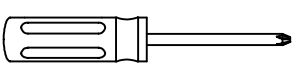
Place all parts on a clean and soft surface such as a rug or carpet to avoid scratching during assembly. Please follow all assembly instructions step by step. It is best to use a screwdriver as opposed to a drill during assembly to avoid over tightening or stripping screws/bolts. Philips Head Screwdriver required for Assembly.



CUSTOMER SERVICE QUESTIONS & INFORMATION

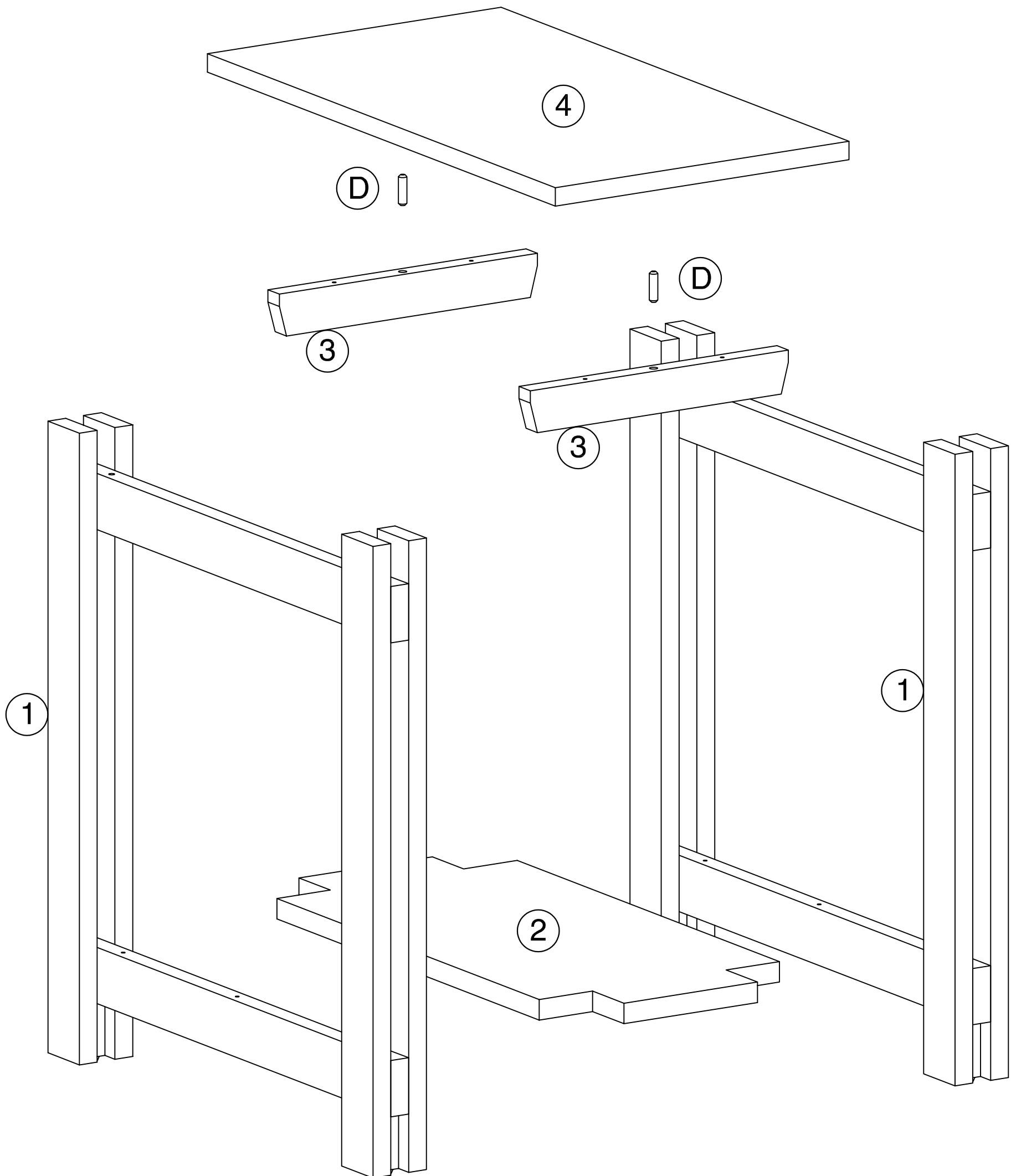
For missing hardware, damaged parts, or questions concerning assembly please contact below rather than your store or on-line provider. Replacement parts are usually available within 2-3 days.

HARDWARE LIST:

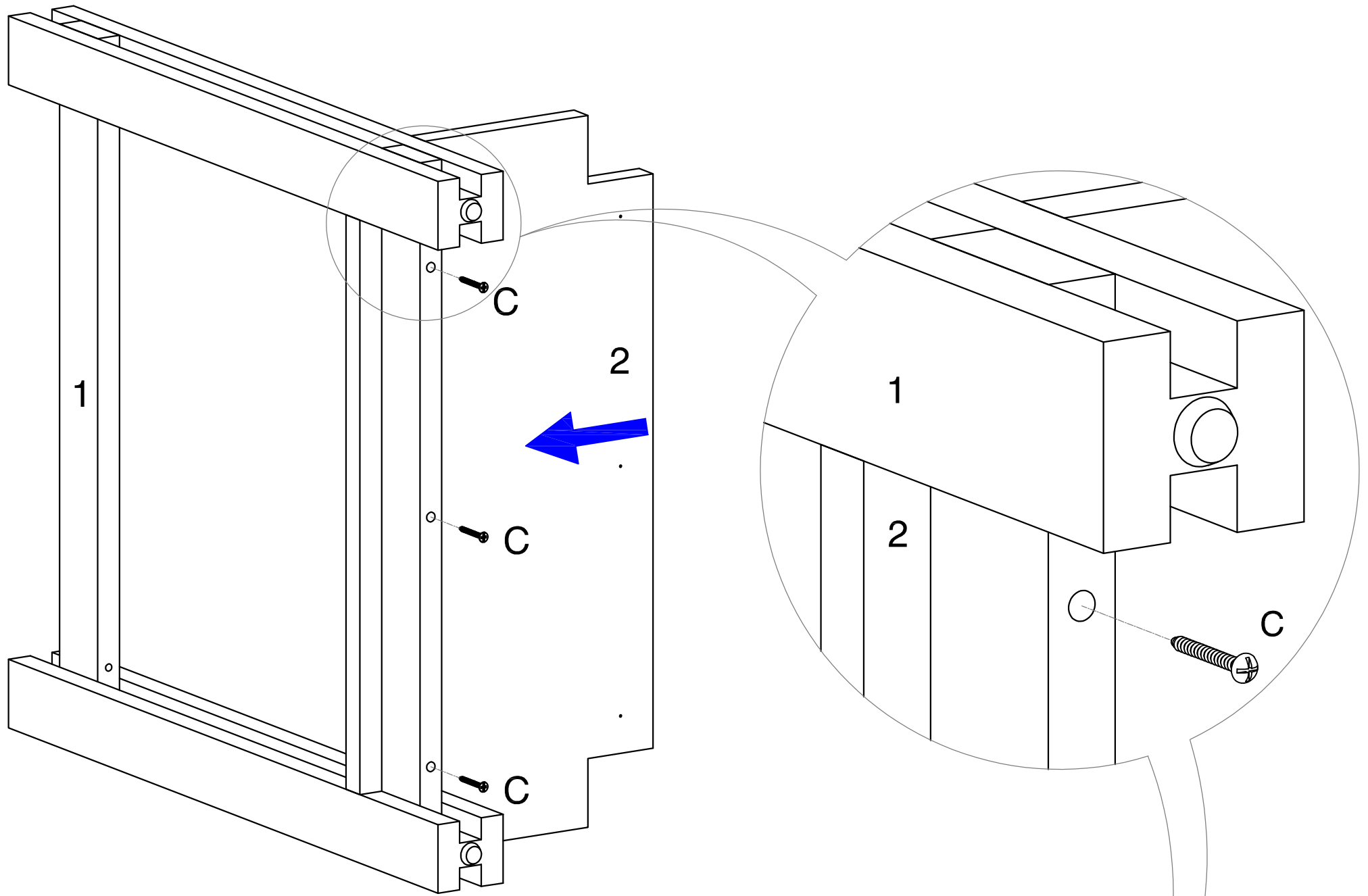
CODE	PICTURE	DESCRIPTION	QTY
A		BOLT 1/4x70MM	4
B		FLAT WASHER	4
C		4 X 35MM FLAT HEAD SCREW	10
D		WOOD DOWEL	2
E		WRENCH	1
		You will need a Phillips head Screwdriver (2 Pt) with a 3.5" shank to assemble this table.	

PARTS LIST:

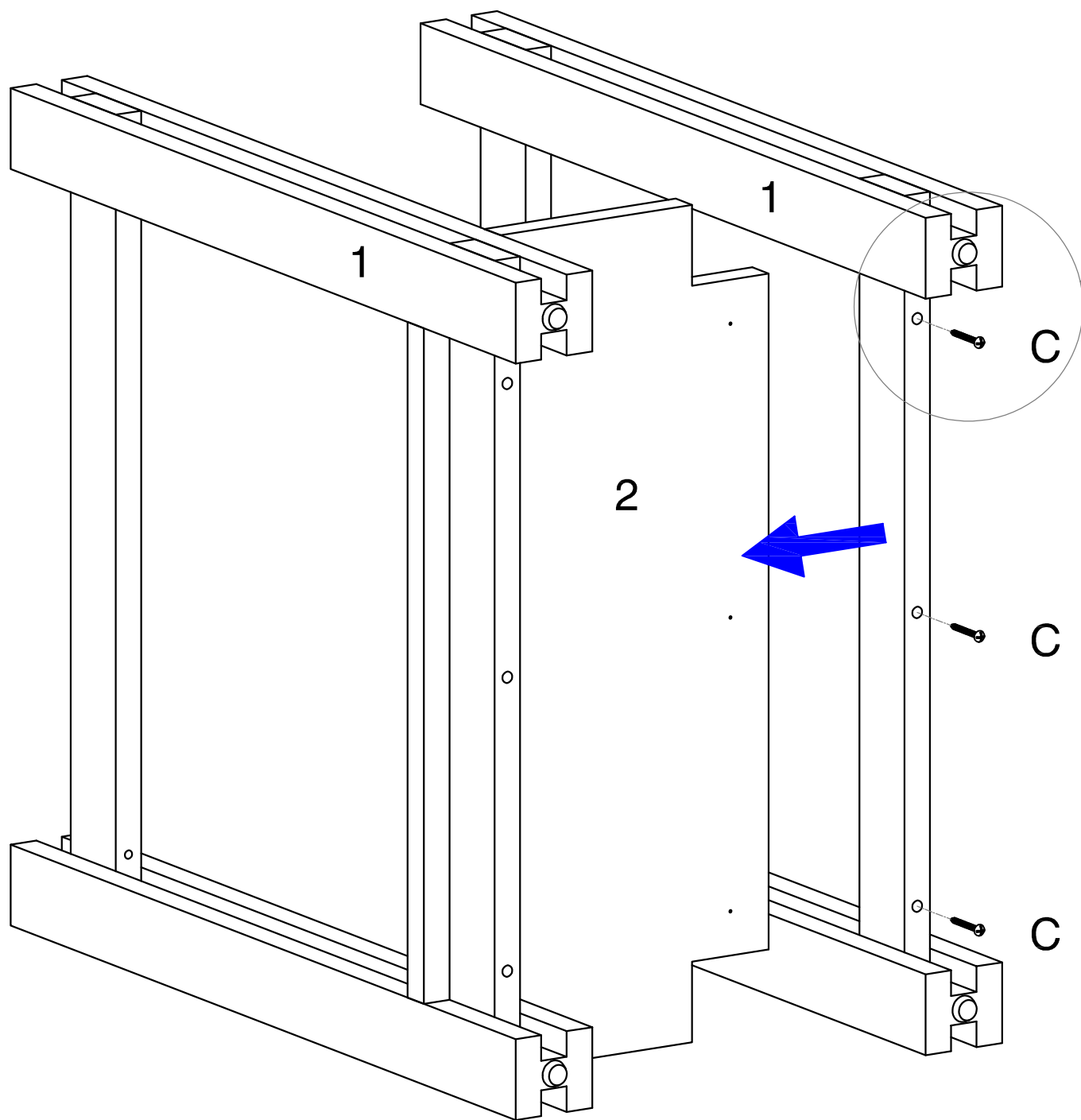
CODE	DESCRIPTION	QTY
1	LEGS	2
2	BOTTOM SHELF	1
3	TOP SUPPORT	2
4	TOP	1



STEP 1

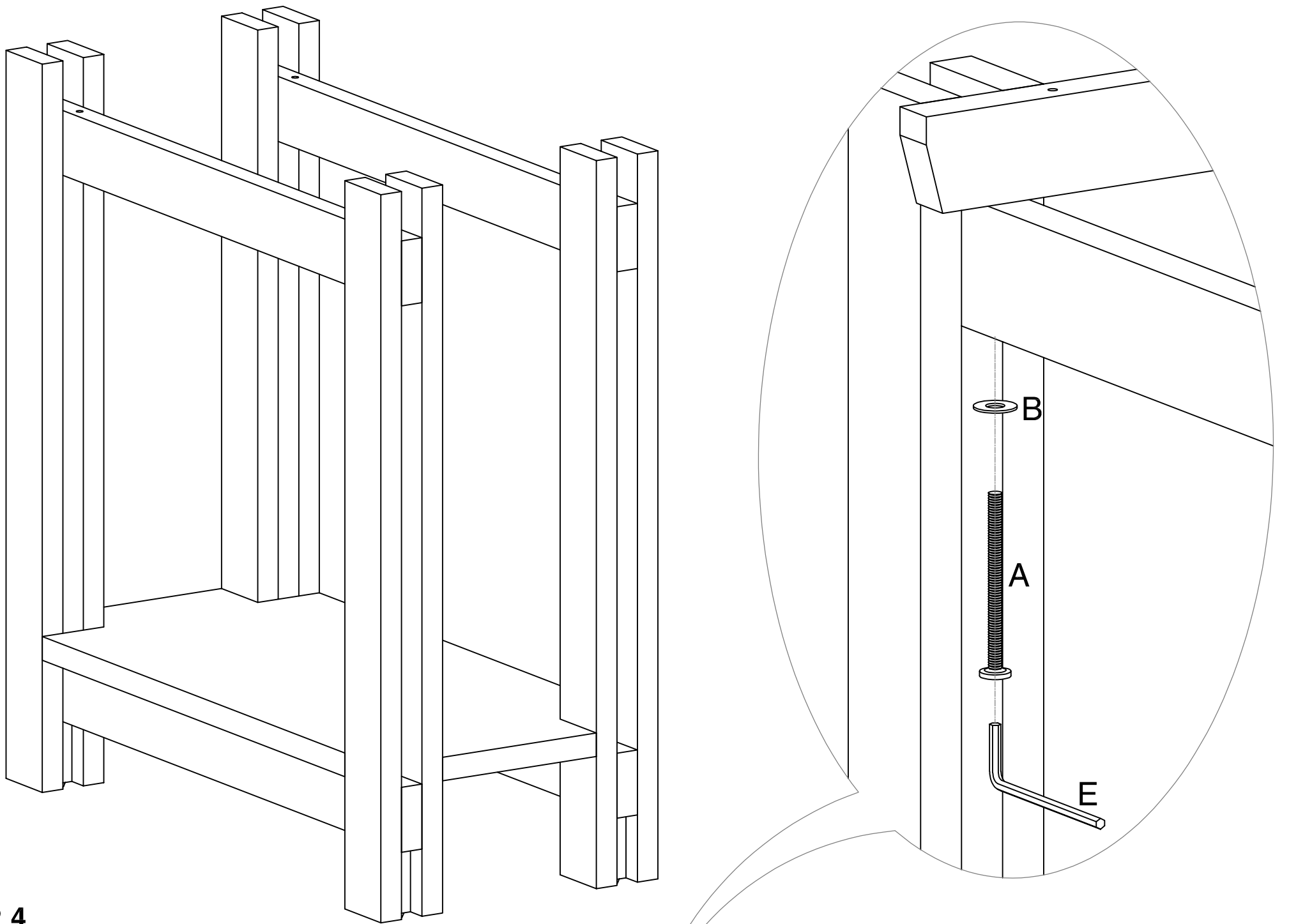


STEP 2

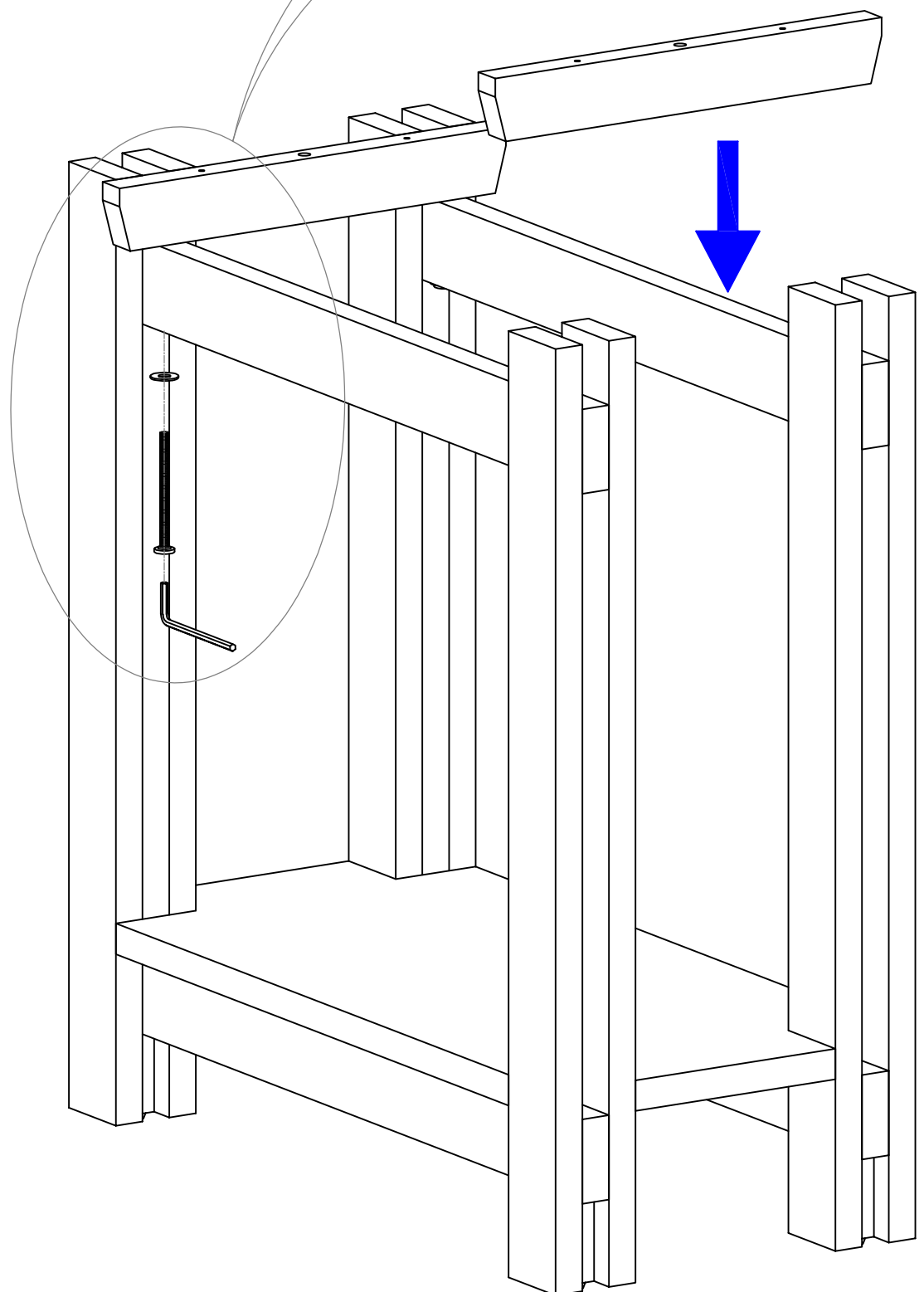


Notice: As you unpack and prepare for assembly, place the contents on a carpeted or padded area to protect them from damage.

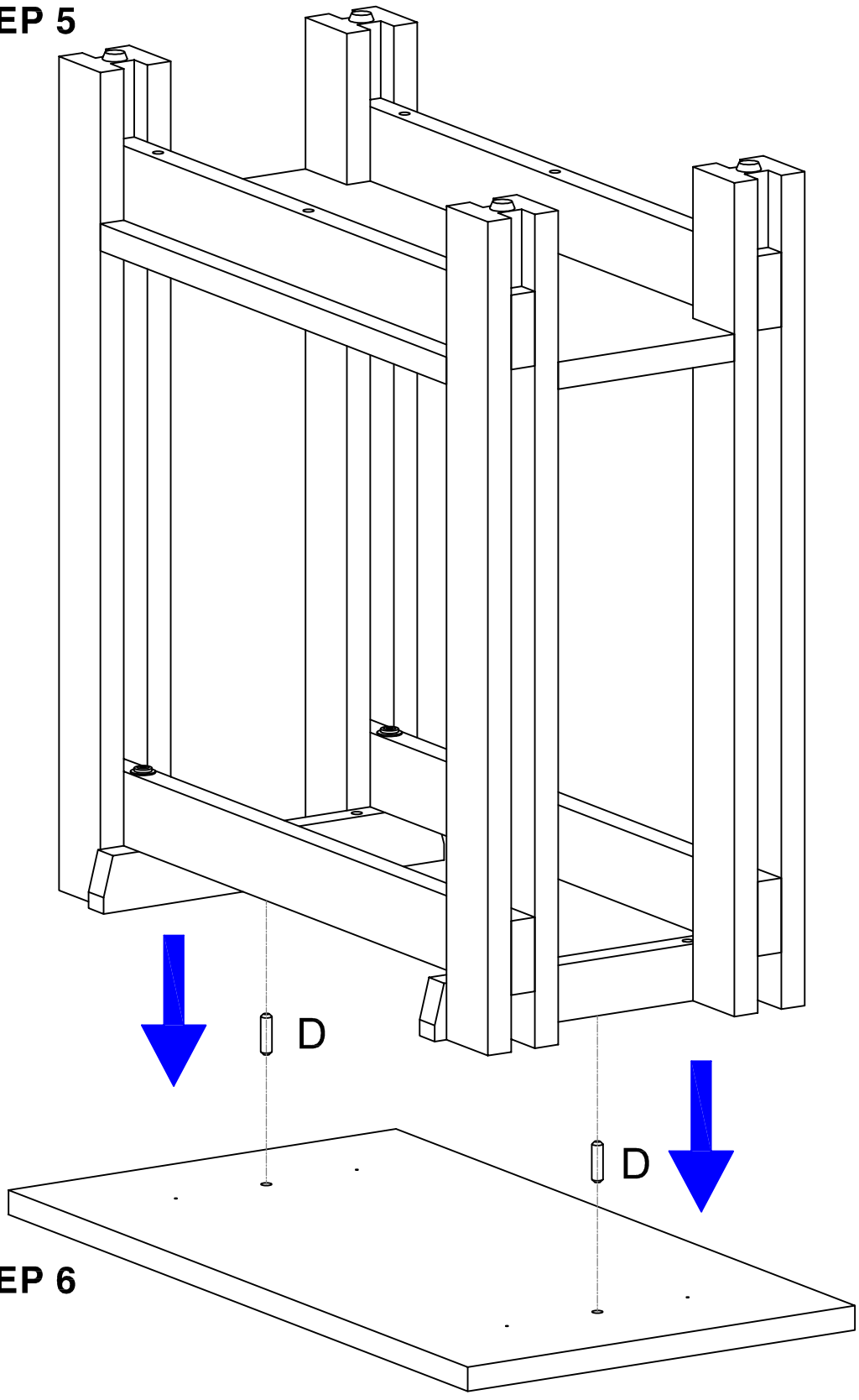
STEP 3



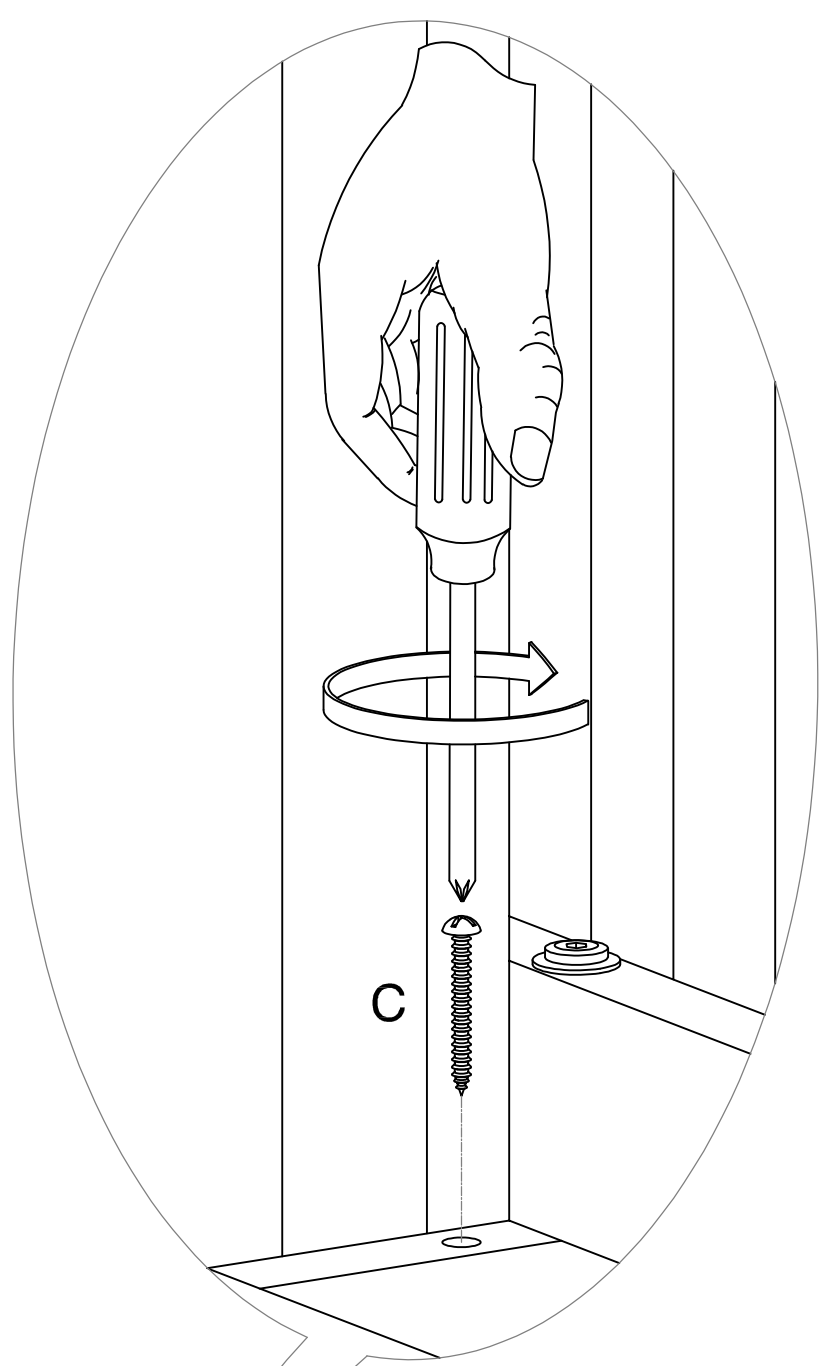
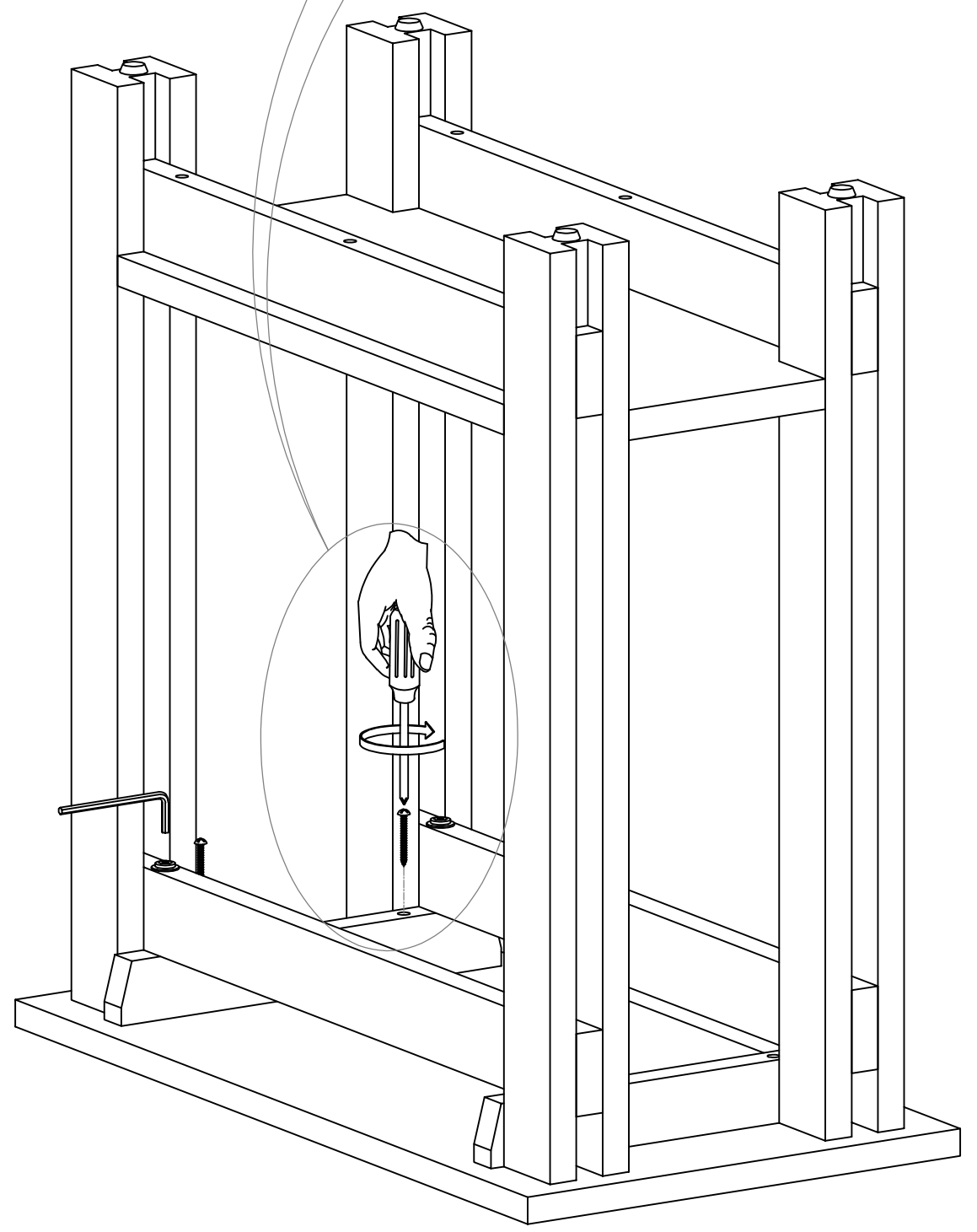
STEP 4



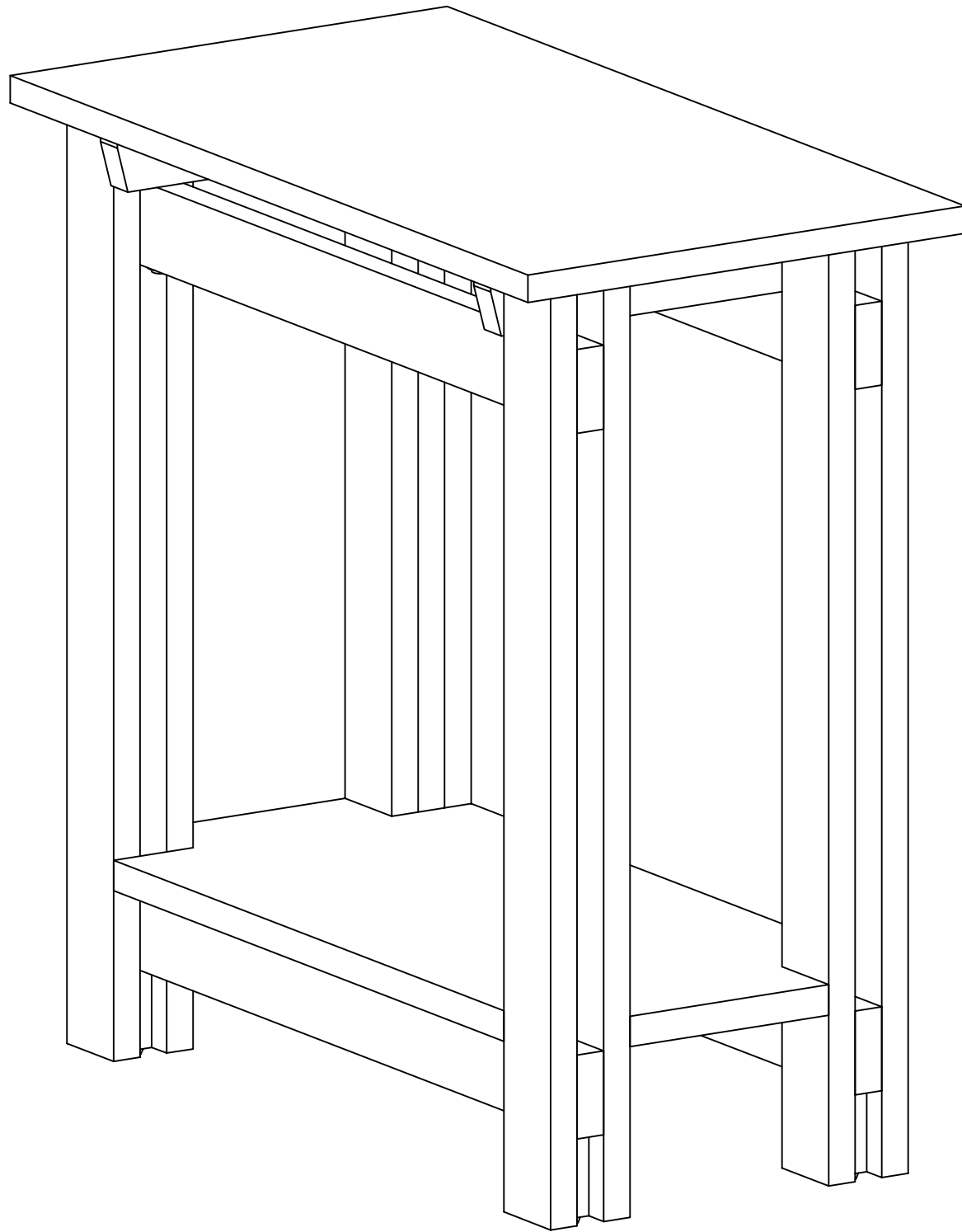
STEP 5



STEP 6



STEP 7



Tips: Turn table upright on a level surface. Level the table and tighten all bolts and screws with the Allen Wrench and Screwdriver.