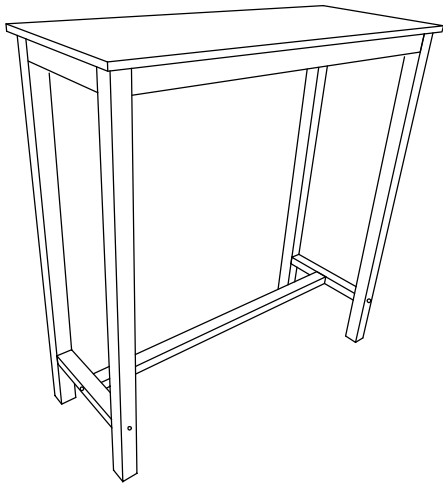
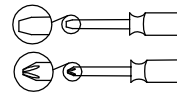


VINGLI Assembly Instructions



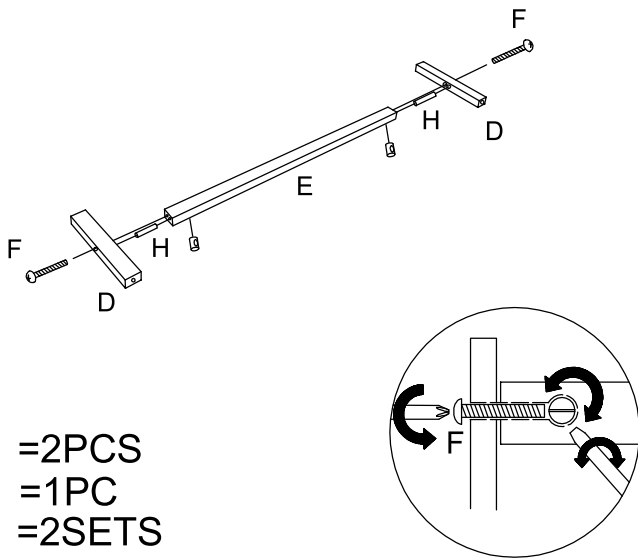
A (1pc)	B (2pcs)	C (2pcs)	D (2pcs)
E (1pc)	F (6sets)	G (8sets)	H (2pcs)

TOOL



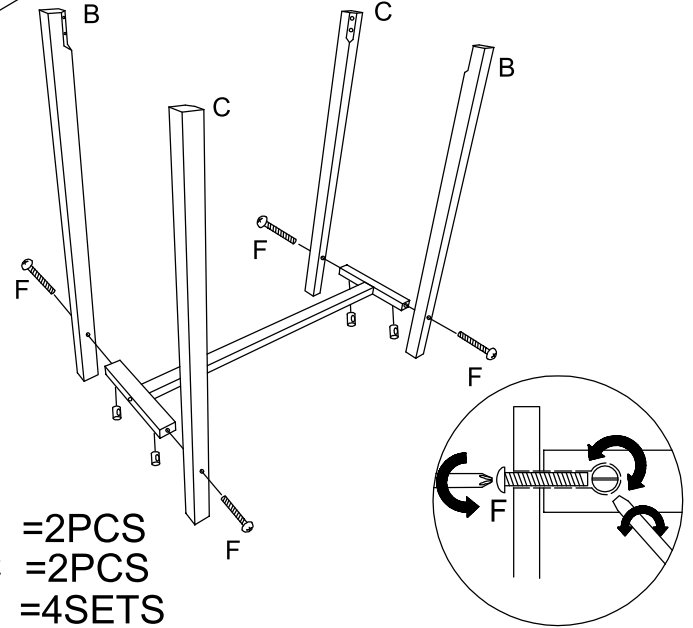
Note: Do not tighten all screws until last step

1



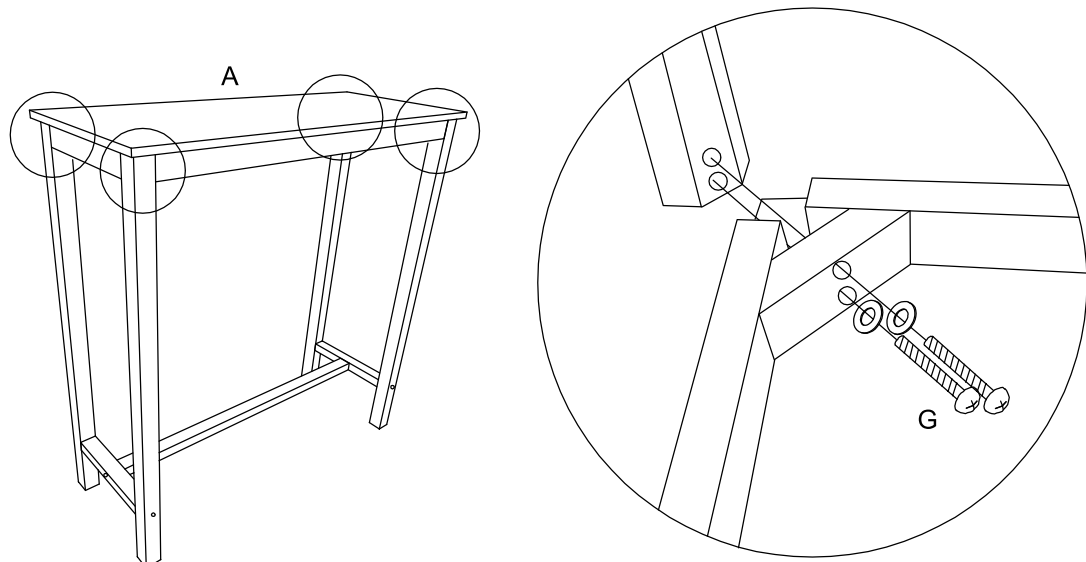
D = 2PCS
E = 1PC
F = 2SETS
H = 2PCS

2



B = 2PCS
C = 2PCS
F = 4SETS

3



A = 1PC
G = 8SETS