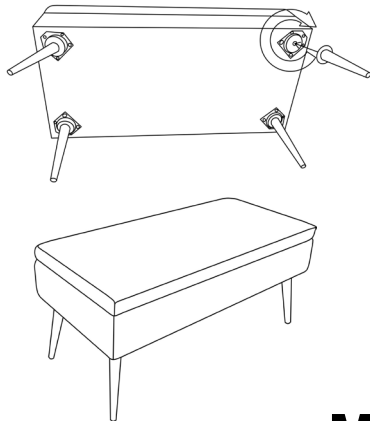
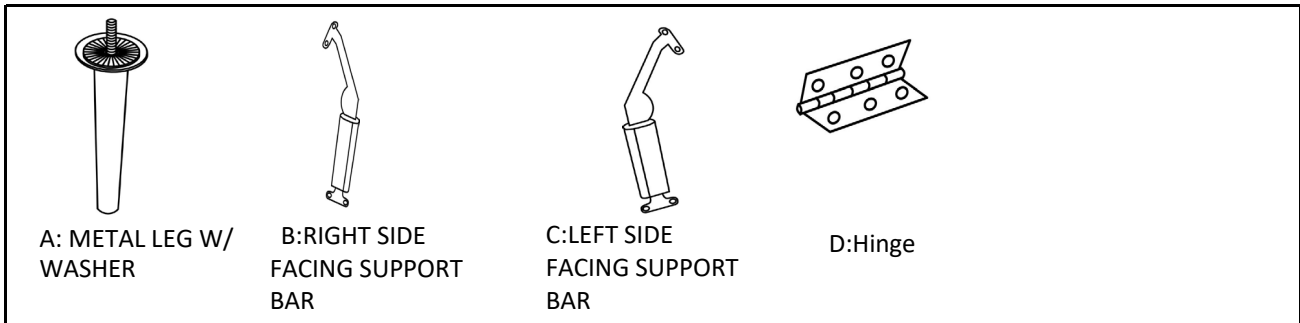
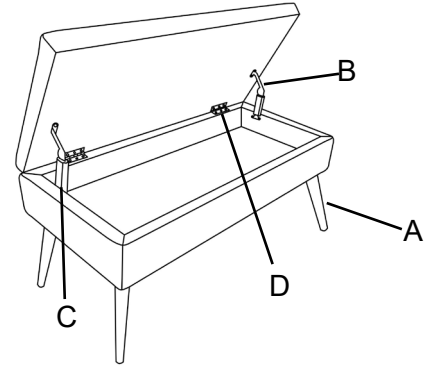


# ASSEMBLY INSTRUCTIONS & PARTS IDENTIFICATION STORAGE BENCH

## PARTS LIST

Item	Description	Qty
A	METAL LEG	4PCS
B	RIGHT SIDE FACING SUPPORT BAR	1PC
C	LEFT SIDE FACING SUPPORT BAR	1PC
D	HINGE	2 PCS



### Assembly Steps:

- Step 1. REMOVE LEGS FROM STORAGE SPACE
- Step 2. INSTALL THE LEGS TO THE STORAGE BENCH

### FABRIC CARE INSTRUCTIONS REGULAR CARE

Clean only with a water-based shampoo or foam upholstery cleaner.  
Do not over wet. Do not use solvents to spot clean.  
Pile fabrics may require brushing to restore appearance.

**FABRIC CONTENT 100% POLYESTER -  
CLEANING CODE "W"**

## MADE IN CHINA