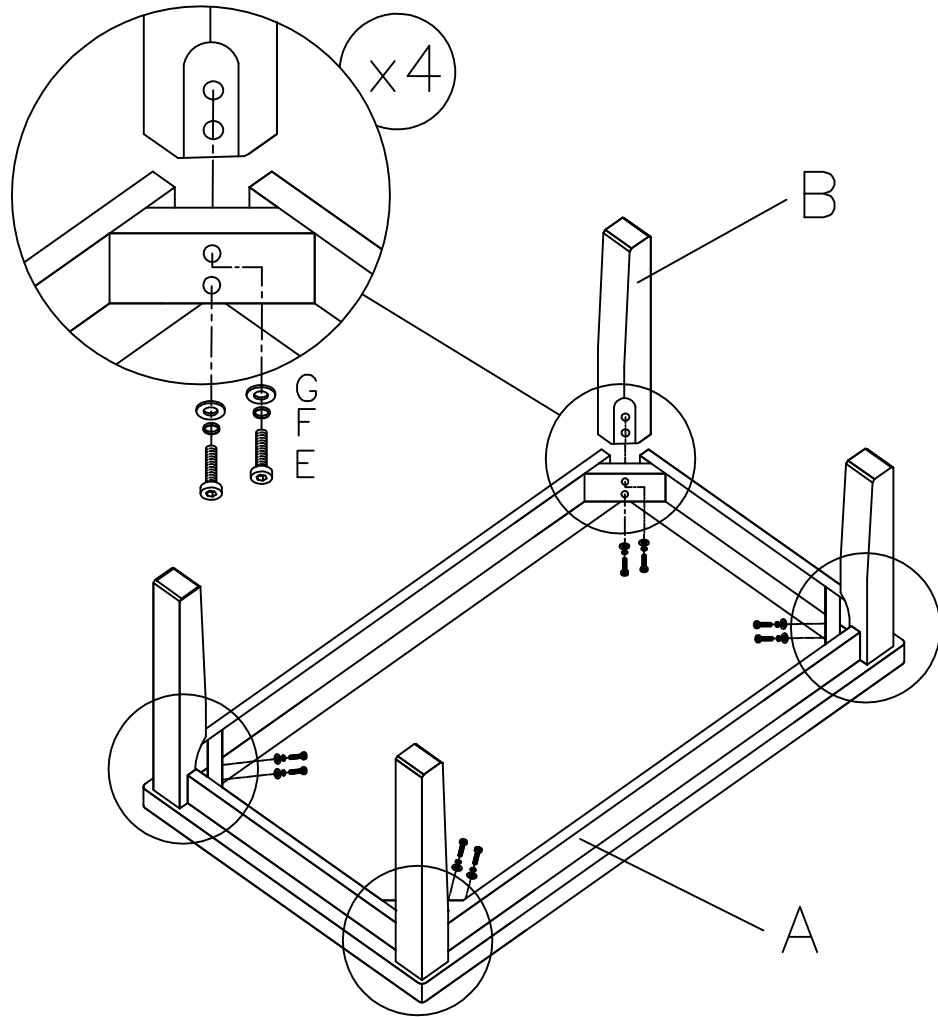
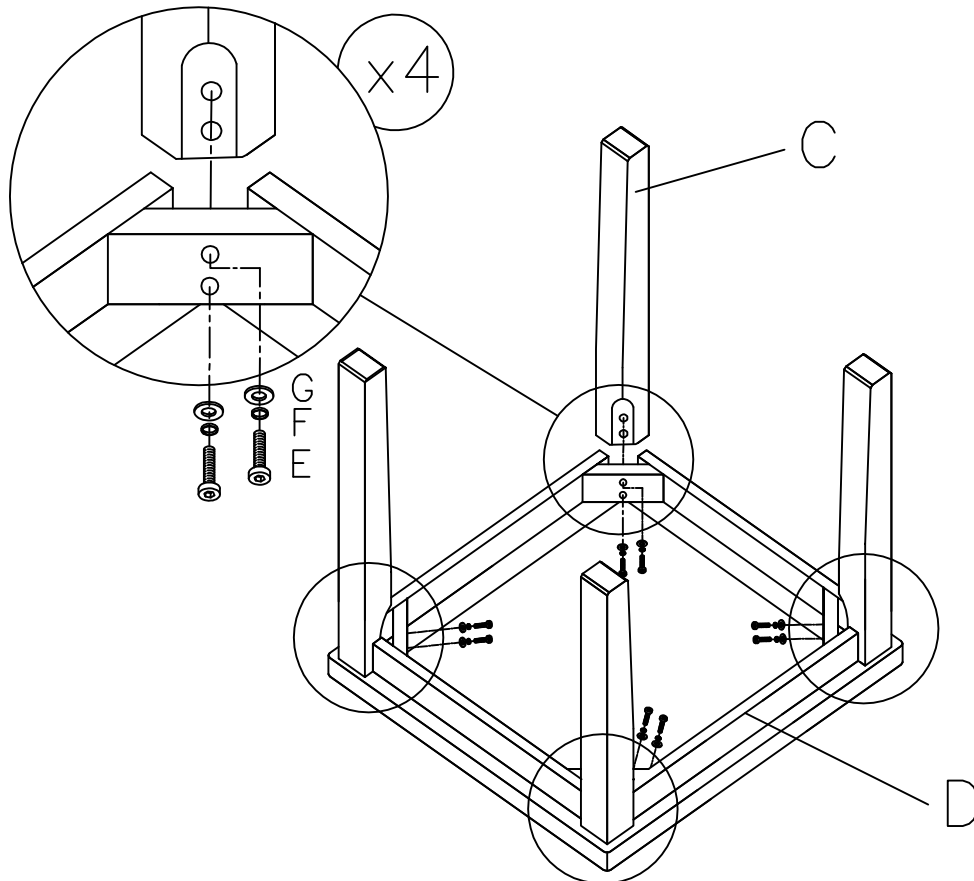


Assembly Instruction

1



2 x2



3

