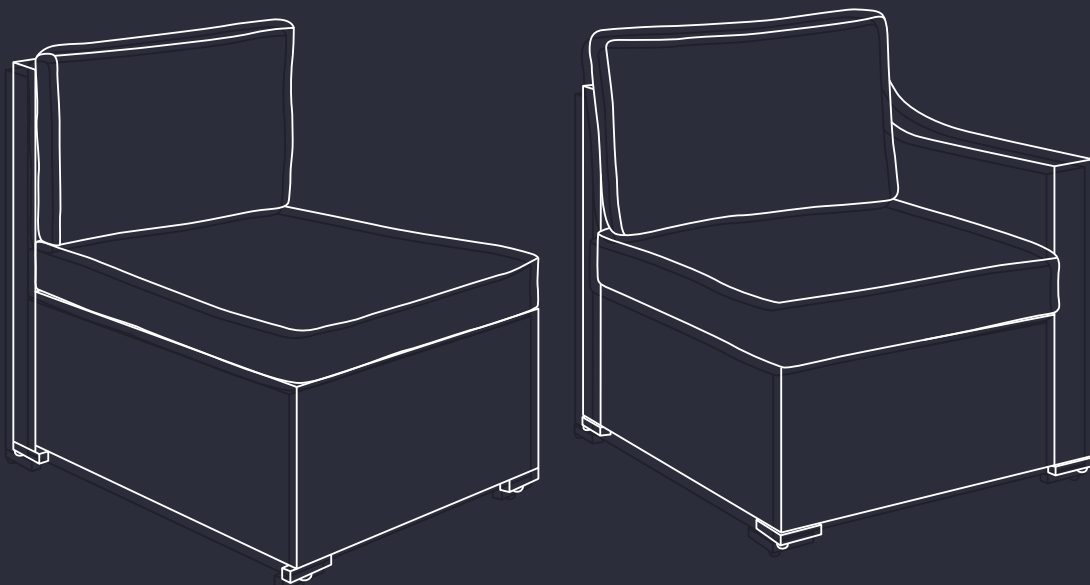


HAPPATIO

OWNER'S MANUAL

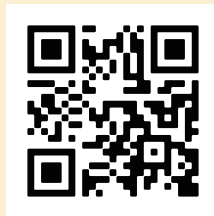
HAPPATIO

Patio Furniture Sets



"Happy families through happy living"

HAPPATIO



If you have any questions,
please contact customer service:
E-mail: happatio@hotmail.com
Facebook: [@happatio](https://www.facebook.com/happatio)

WARNING



Please read and understand this entire manual before attempting to assemble or install the product.



Some parts may have sharp edges. Please wear protective gloves when assemble or install the product.



Assemble the item on a soft, non-abrasive surface such as carpeting to avoid damage.



Keep all the children and pets away from assembly area. Children and pets should be supervised when they are in the area of the sofa set Construction.



The item is heavy. Please handle it carefully. Two or more people are required for assembly.

CAUTION

- ★ Sofa is used for sitting only. Do not stand on or use any part of this item as a step ladder.
- ★ Recommended maximum sitting weight for the sofa set is 300 lbs /136 kgs.
- ★ Please do not exceed the weight limitations of this item.
- ★ Firmly secure all bolts, screws and knobs before use.
- ★ Reconfirm that all bolts, screws, and knobs are secure every 90 days.
- ★ Do not use or store this item in the proximity of open flame or flammable/combustible chemicals.
- ★ If any parts are missing, broken, damaged, or worn, stop using this product until repairs are made and/or factory replacement parts are installed.

ATTENTION

- ★ Check every part with the part list before assembly. If any part is missing or damaged, do not attempt to assemble the product and contact us immediately.
- ★ We care about every customer's experience. Please feel free to contact us if you have any advice. We will offer you efficient solutions ASAP.
- ★ We recommend you to use waterproof furniture cover for the entire patio sofa set when out of use to keep them longer performance.
- ★ The sofa cushion cover can be removable and clean up by cleaner when it has stains.
- ★ You could adjust the foot leveler to keep the sofa in balance.

WARRANTY COVERAGE REQUIREMENTS

- ★ Pictures of the damaged parts.
- ★ The order number of your product.
- ★ Please gather all of this information BEFORE you contact us.
- ★ Do not use this item in a way inconsistent with the manufacturer's instructions, as this could void the product warranty.

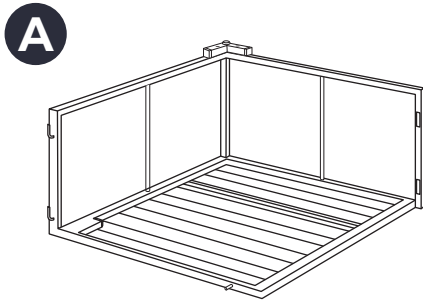


**Happy Families
Through
Happy Living**

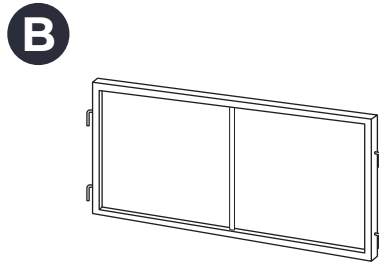
**E-mail: happatio@hotmail.com
Facebook: [@happatio](https://www.facebook.com/happatio)**



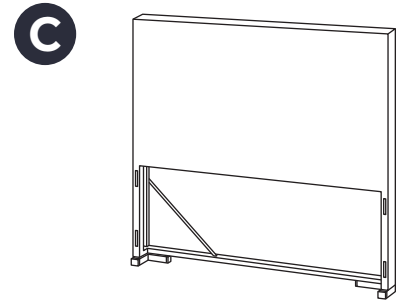
Part List



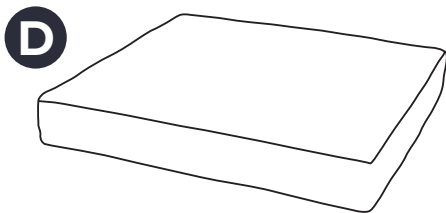
Seat 1×1PCS



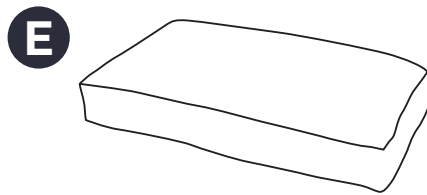
Baffle 1×1PCS



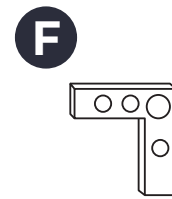
Back 1×1PCS



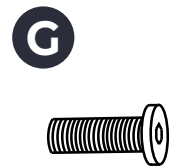
Seat Cushion 1×1PCS



Back Cushion 1×1PCS

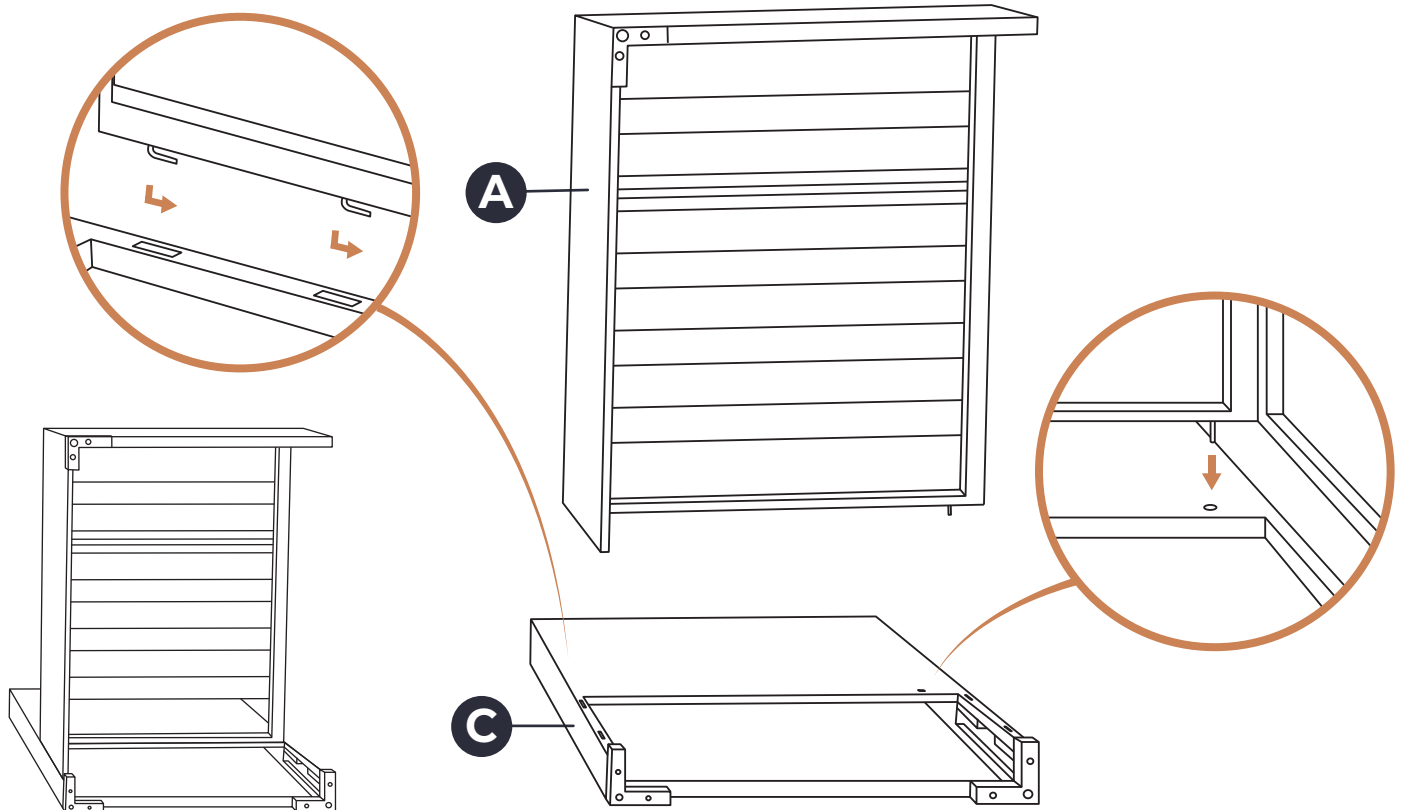


Foot 1×1PCS



M6×15MM Bolt
1×3PCS

STEP 1

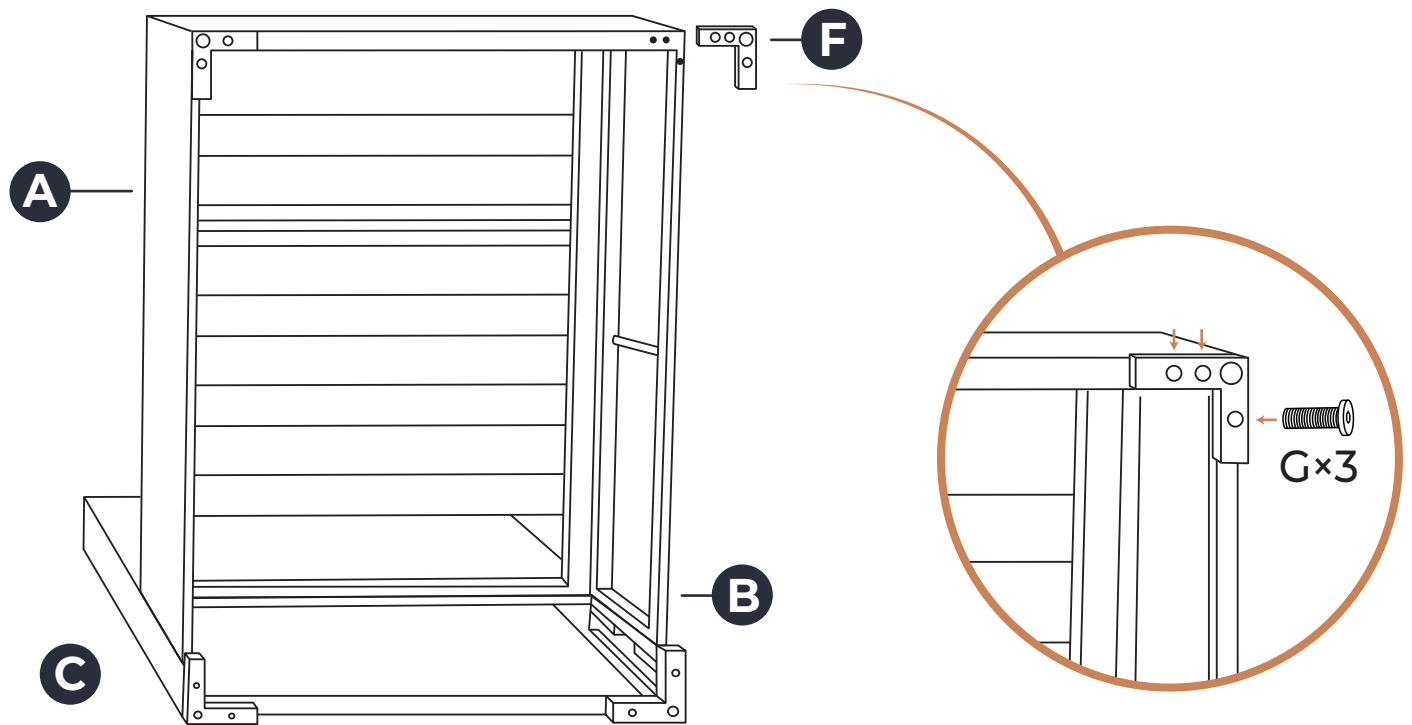
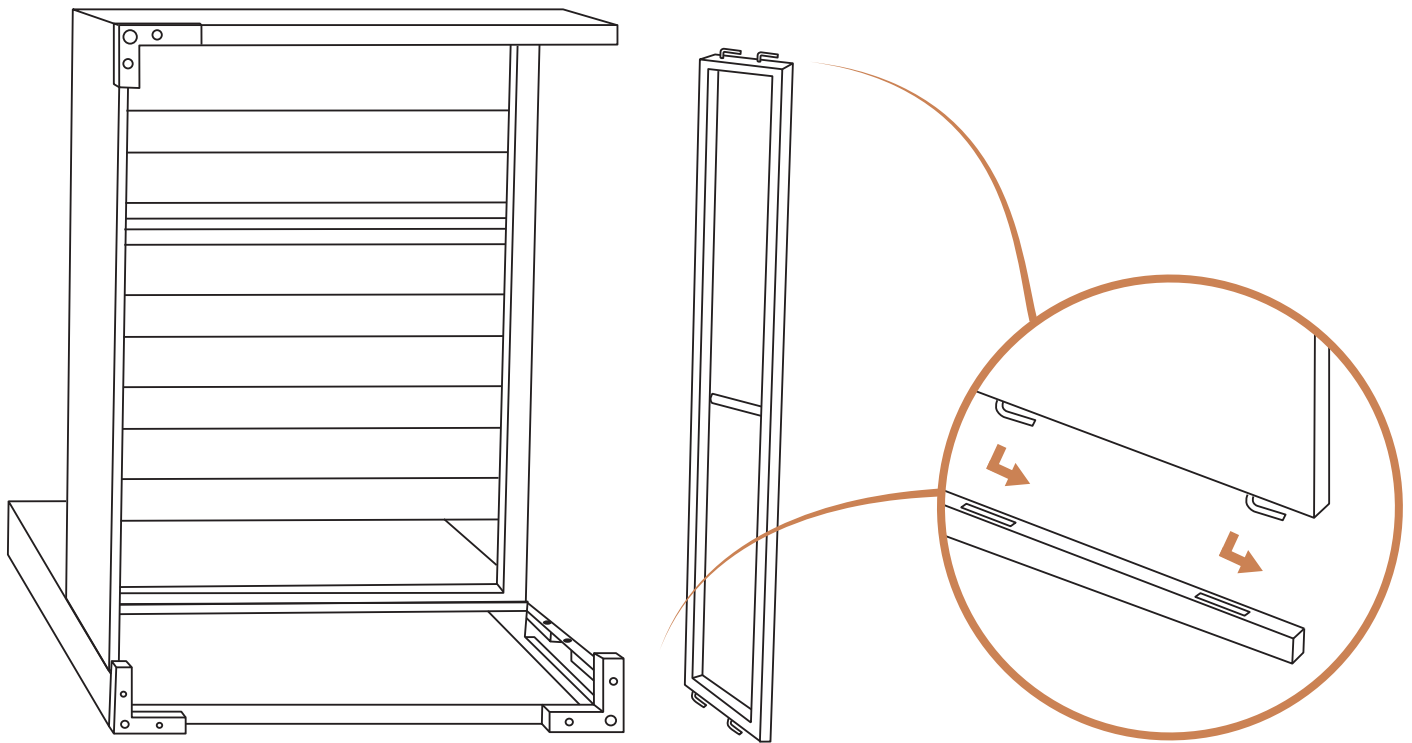


Happy Families
Through
Happy Living

E-mail: happatio@hotmail.com
Facebook: @happatio



STEP 2



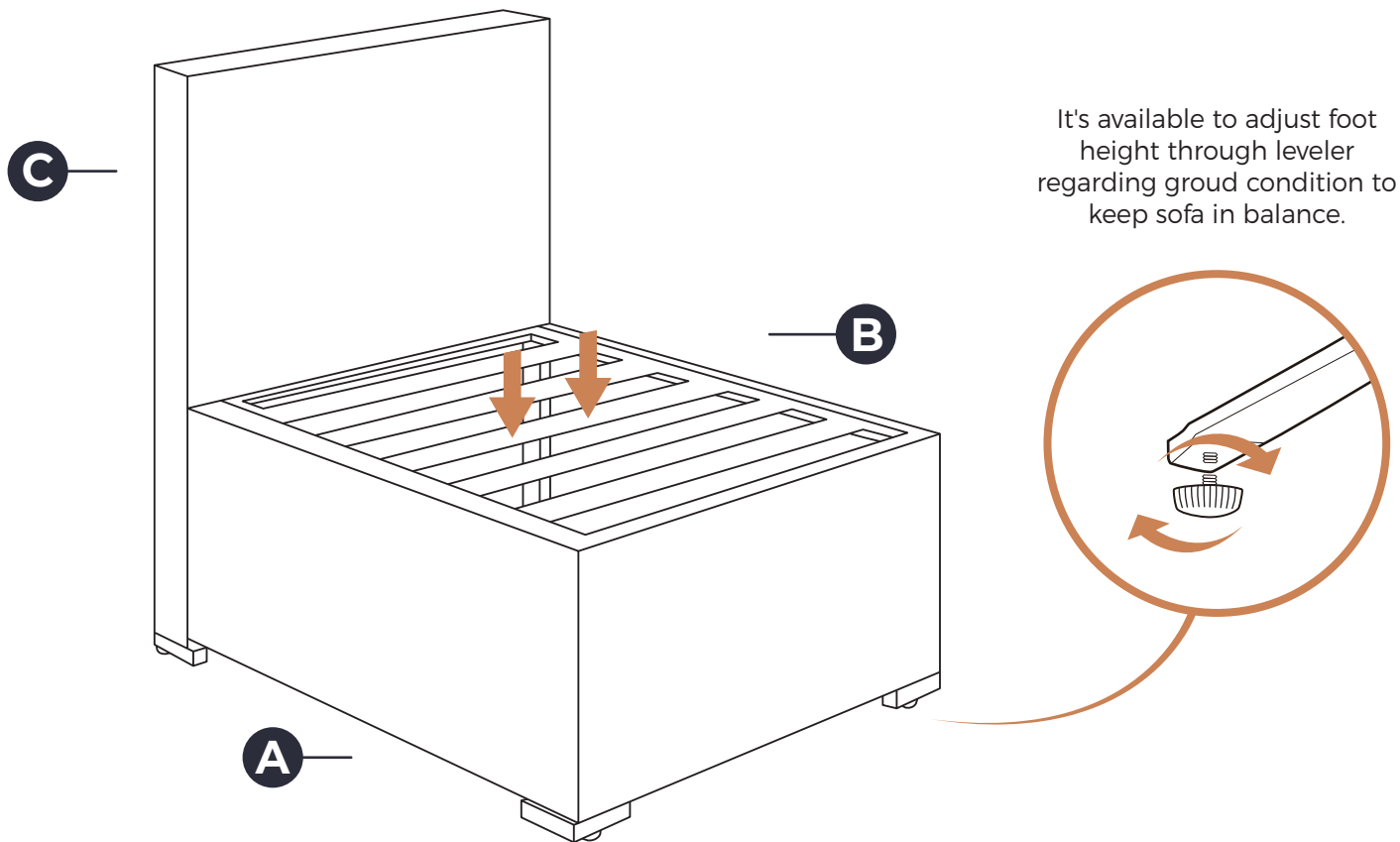
Happy Families
Through
Happy Living

E-mail: happatio@hotmail.com
Facebook: @happatio

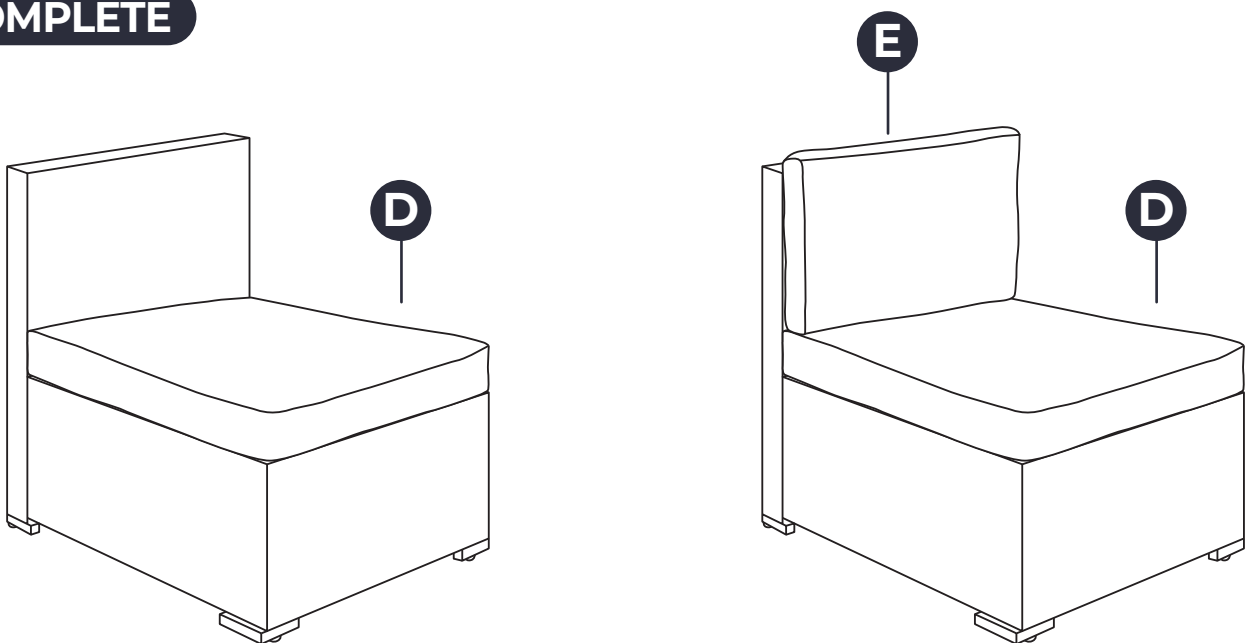


STEP 3

Press down on the seat to secure the connection between the back and the seat.



COMPLETE



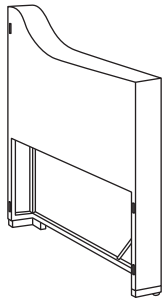
Happy Families
Through
Happy Living

E-mail: happatio@hotmail.com
Facebook: @happatio



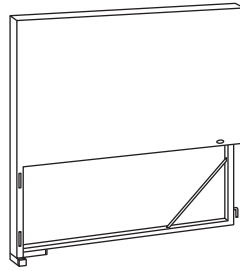
Part List

A



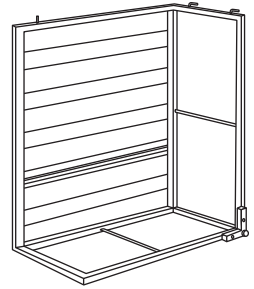
Armrest 1PC

B



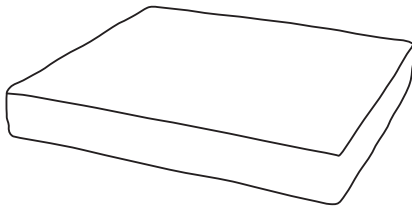
Back 1PC

C



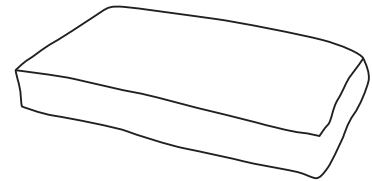
Seat 1PC

D



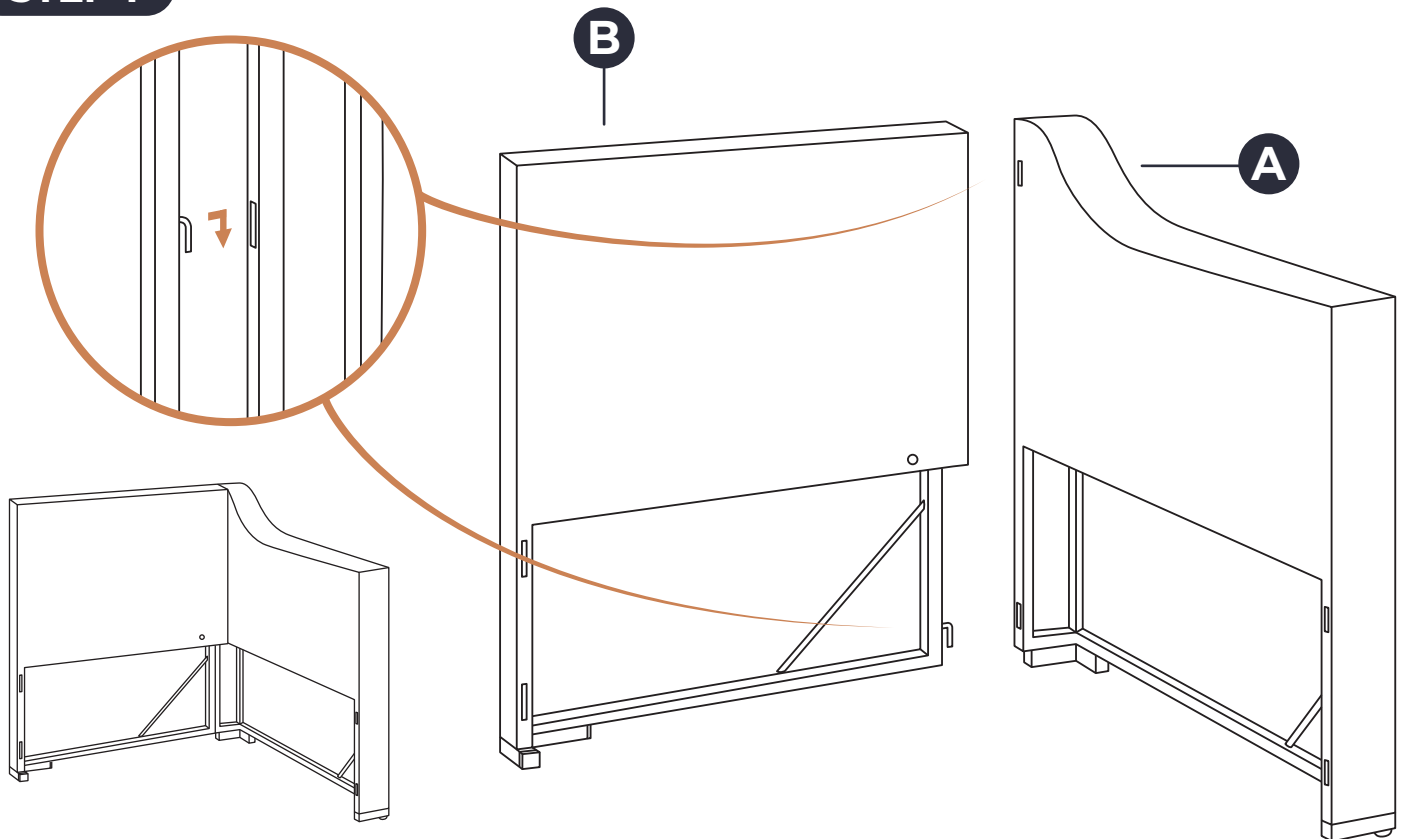
Seat Cushion 1PC

E



Back Cushion 1PC

STEP 1

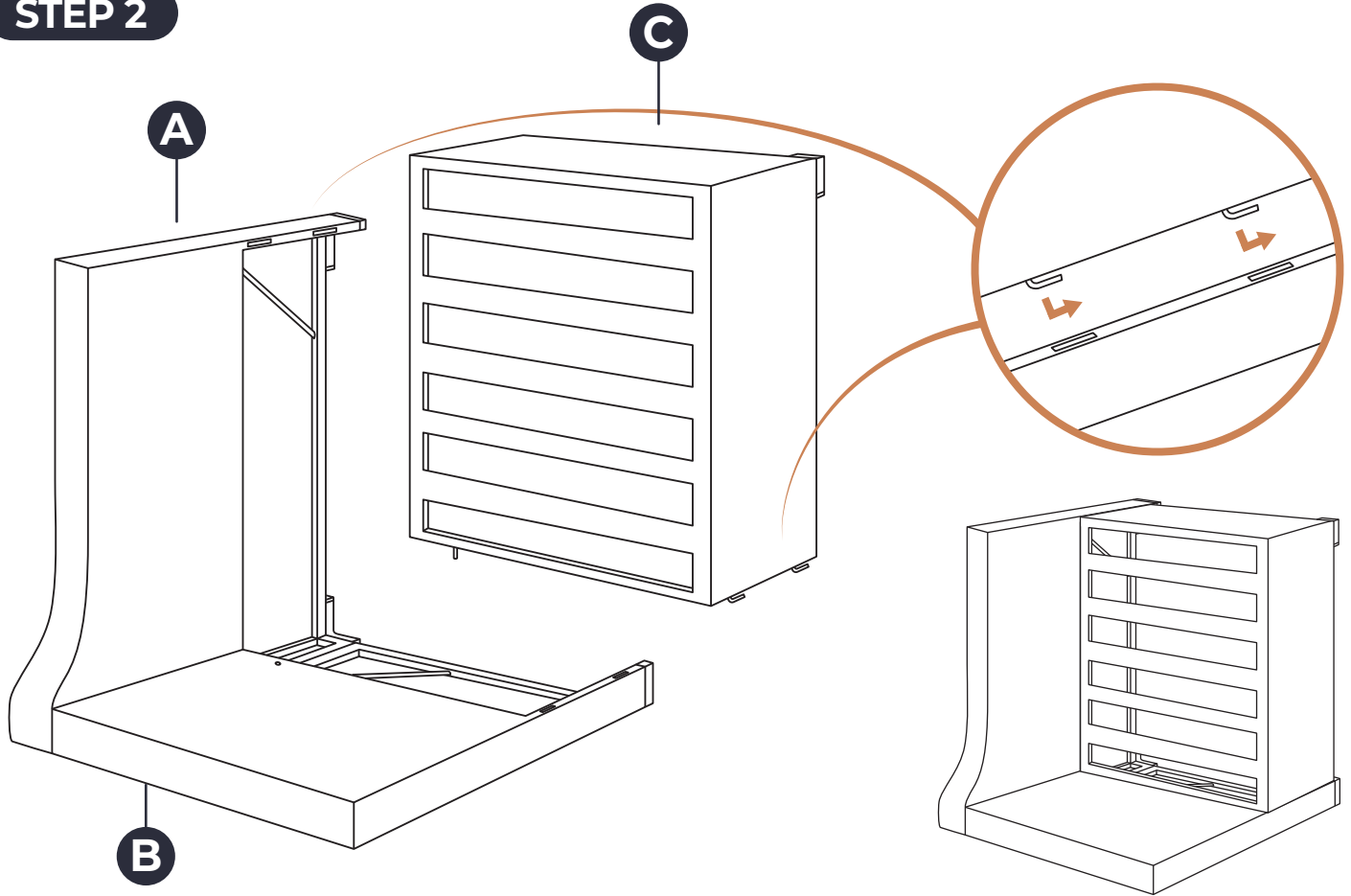


Happy Families
Through
Happy Living

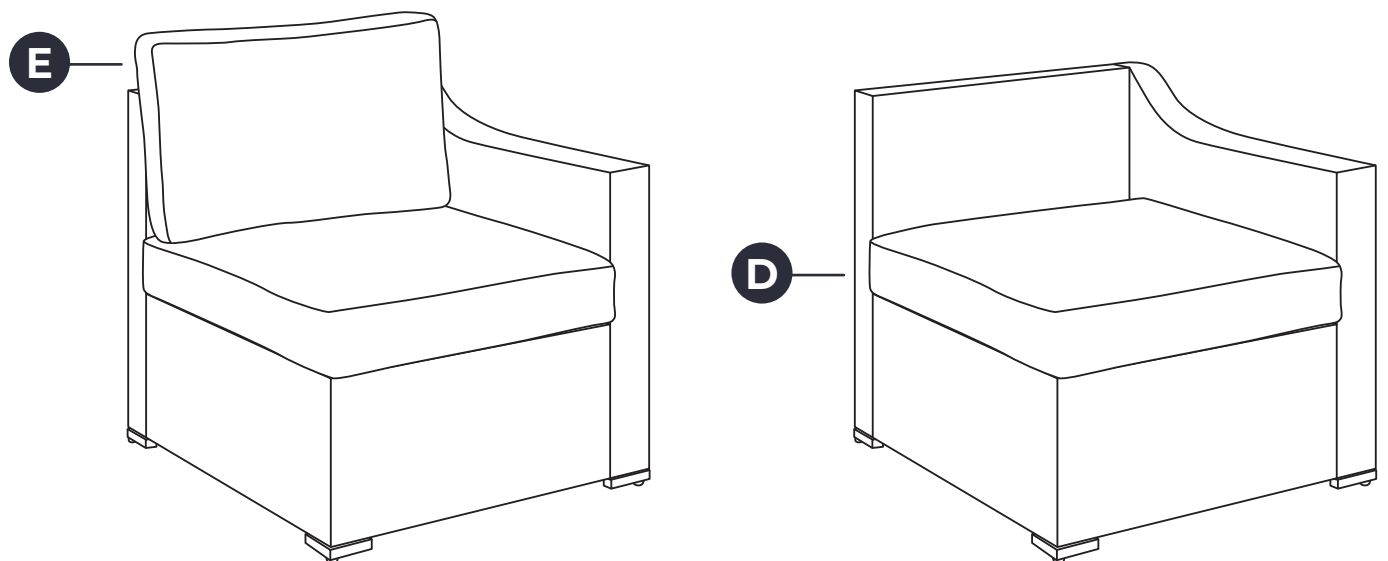
E-mail: happatio@hotmail.com
Facebook: @happatio



STEP 2



COMPLETE



Happy Families
Through
Happy Living

E-mail: happatio@hotmail.com
Facebook: @happatio

