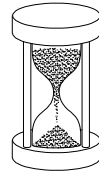
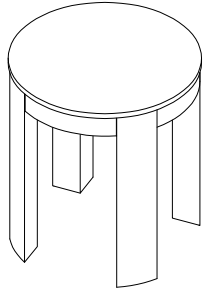


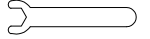
CARTER ROUND END TABLE ASSEMBLY INSTRUCTIONS



15 MIN



x 1



**TOOLS REQUIRED
(Wrench provided)**

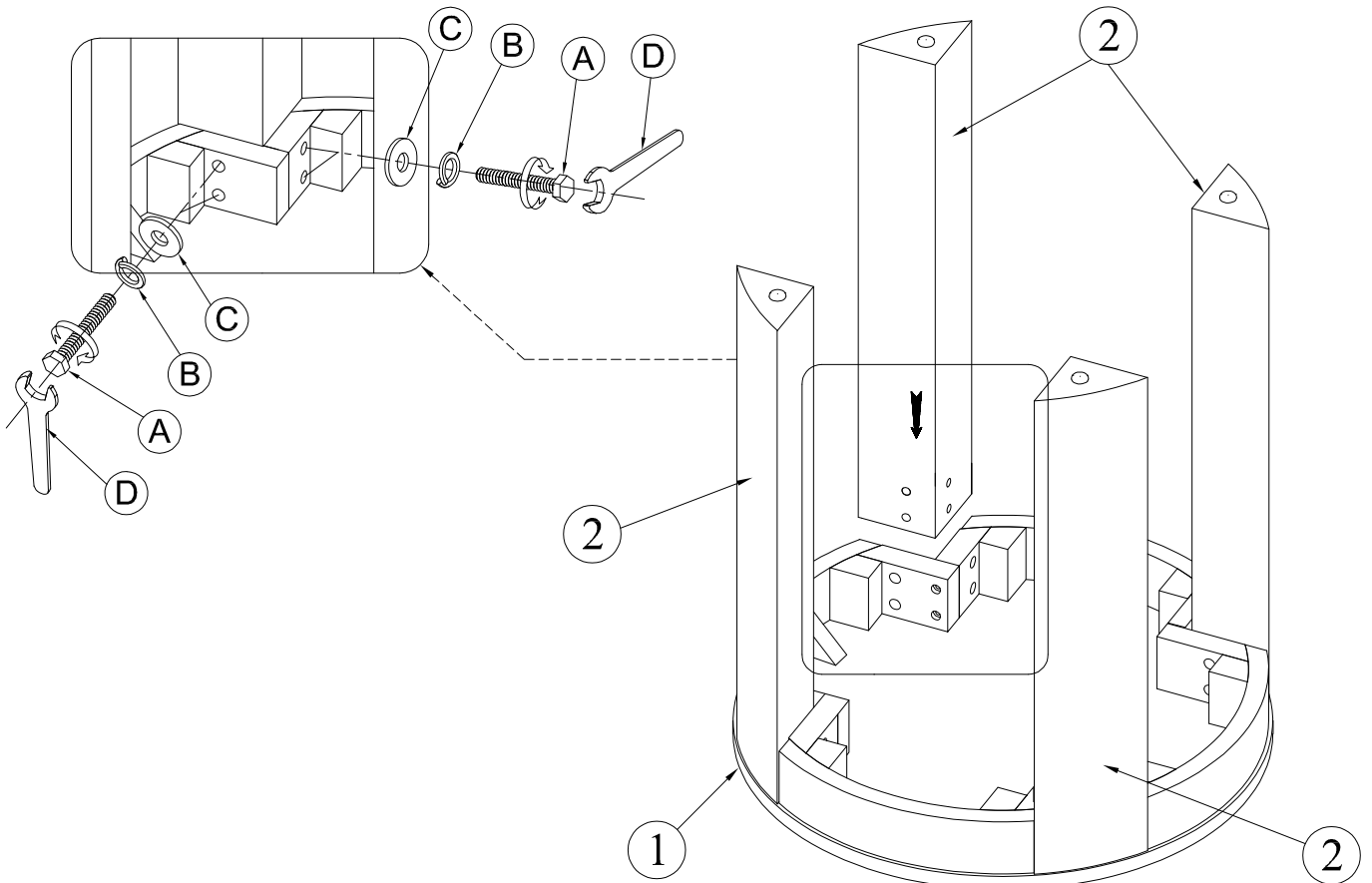
PART LIST

HARDWARE LIST

No.	Description	Sketch	Quantity	No.	Description	Sketch	Size	Quantity
1	TOP		1pc	A	Bolt		M8 x 50mm	16pcs
				B	Spring Washer		M8 x 2 x 13mm	16pcs
2	LEGS		4pcs	C	Flat Washer		M8 x 2 x 19mm	16pcs
				D	Wrench		13 x 85 mm	1pc

STEP 1

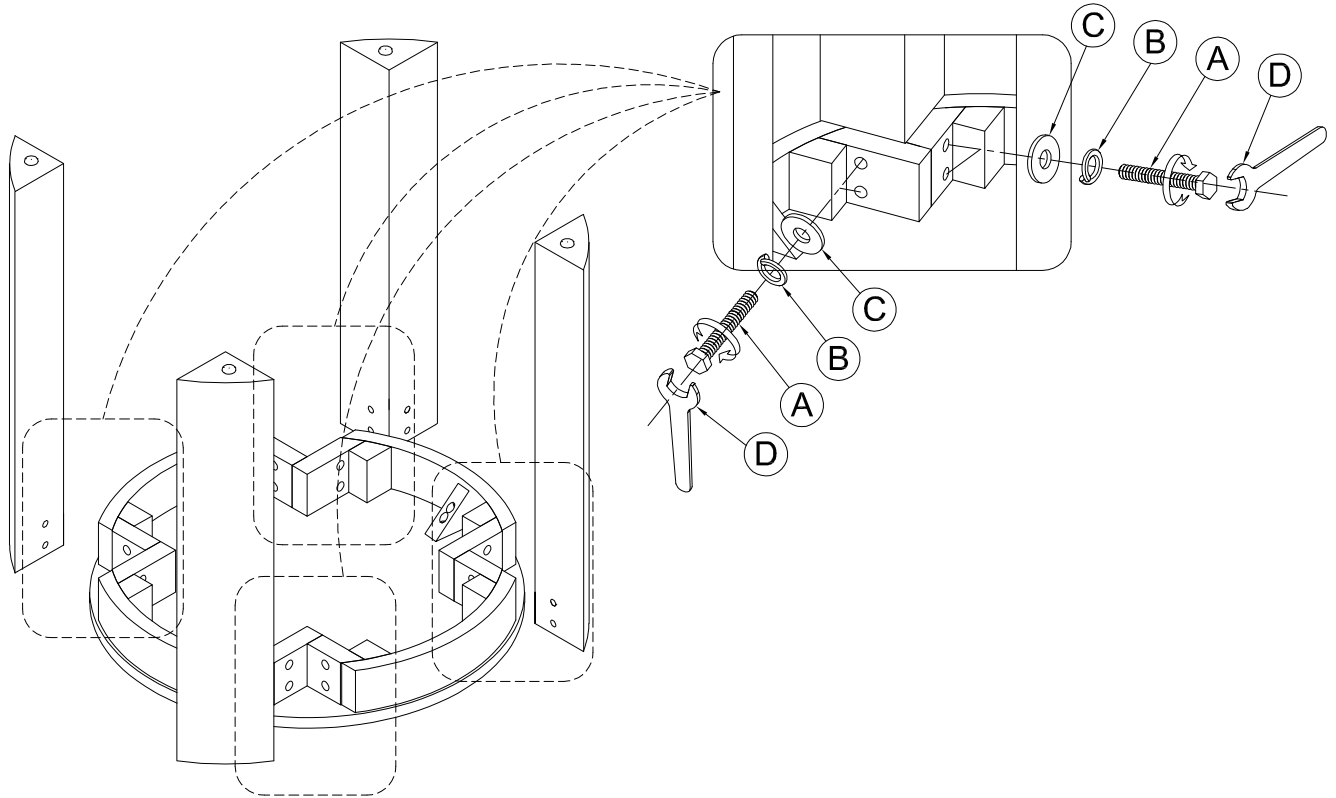
Center legs at the corner and align with pre-drilled holes. Secure and tighten screws to attach the leg



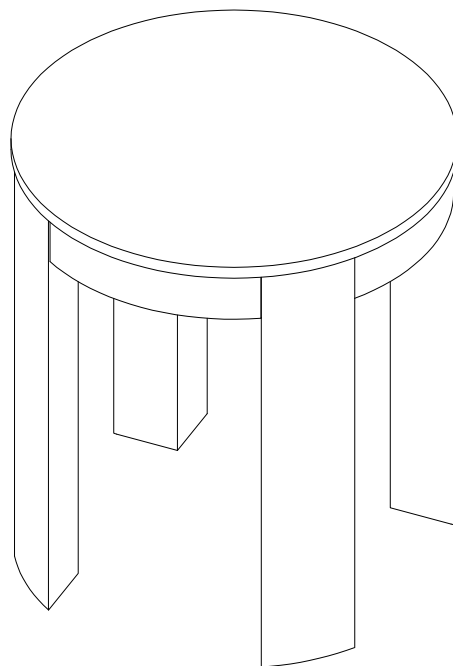
CARTER ROUND END TABLE ASSEMBLY INSTRUCTIONS

STEP 2

Repeat this step in all 4 corners to install the legs



ASSEMBLY COMPLETE



**CAUTION ! : REQUIRES ONE ADULTS TO FLIP AND TURN
TABLE UPRIGHT AFTER ASSEMBLY IS FINISHED.**