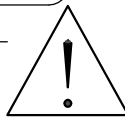
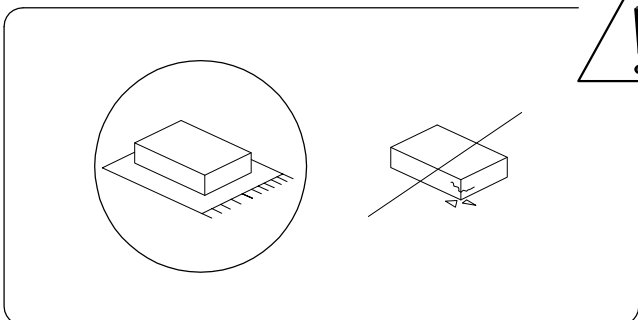

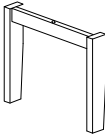
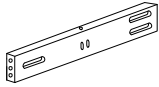

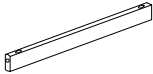
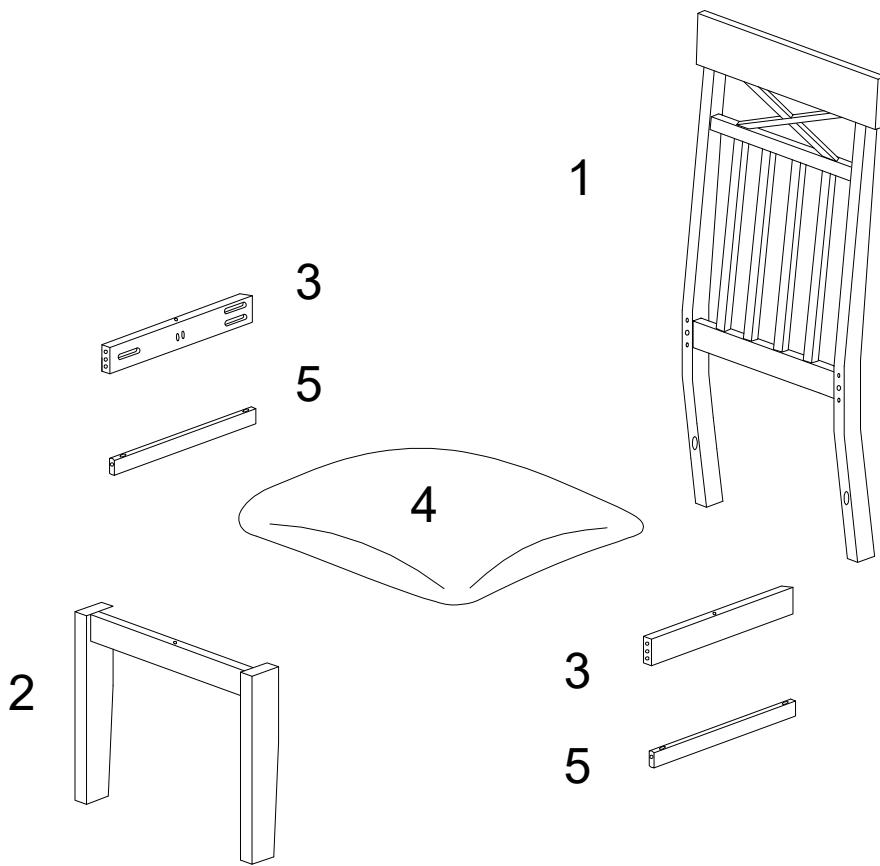


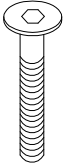

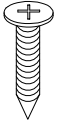
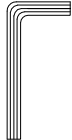
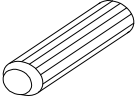
30'



1

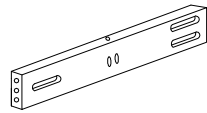
1	2	3	4	5
				
x 2	x 2	x 4	x 2	x 4



A	B	C	D	E
				
x 12	x 12	x 14	x 1	x 12

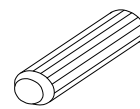
1

3



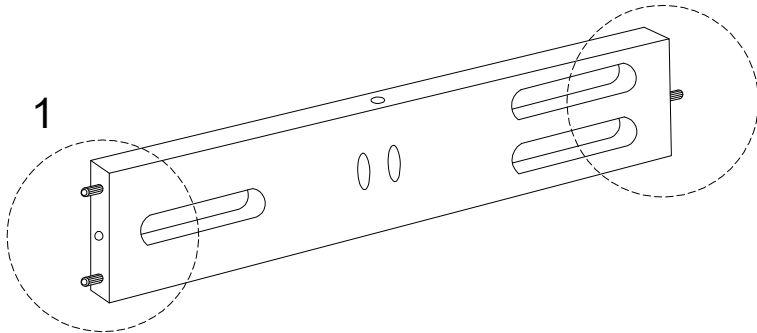
x 2

E



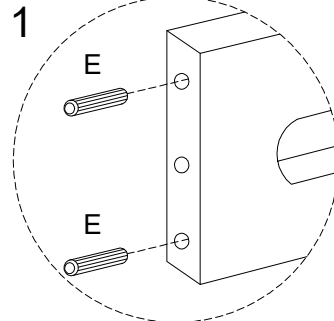
x 6

1

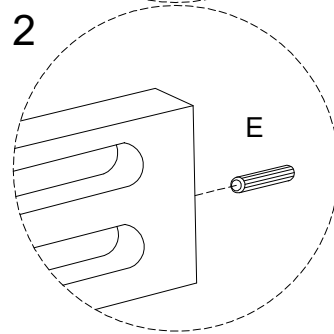


2

1

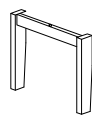


2



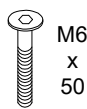
2

2



x 1

A



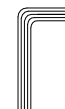
x 2

B

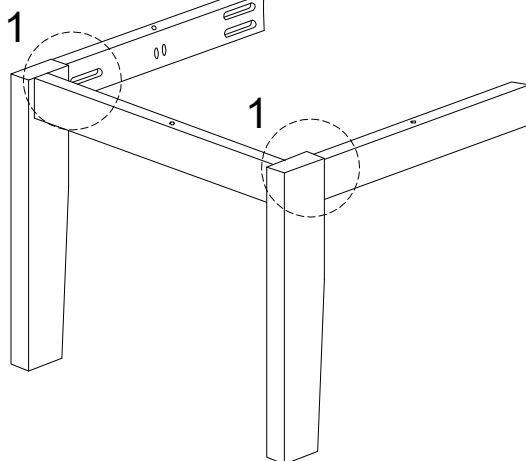


x 2

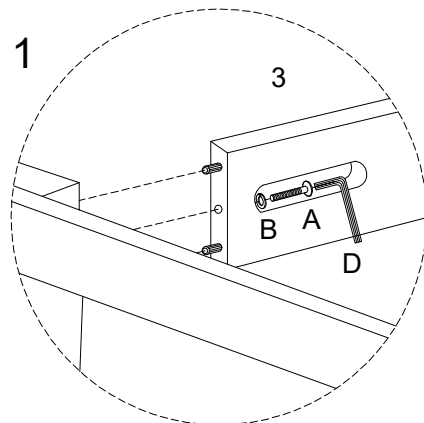
D



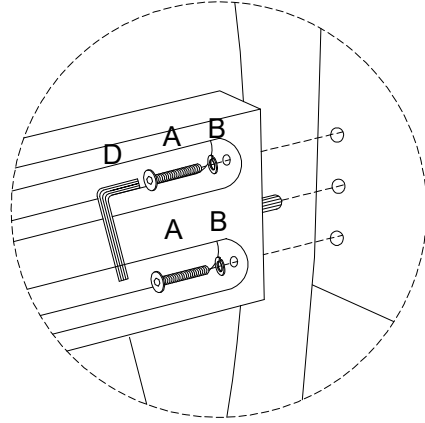
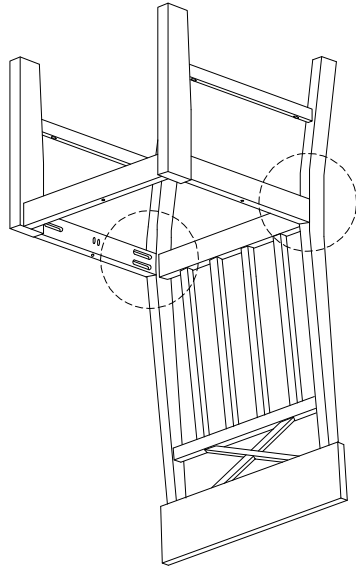
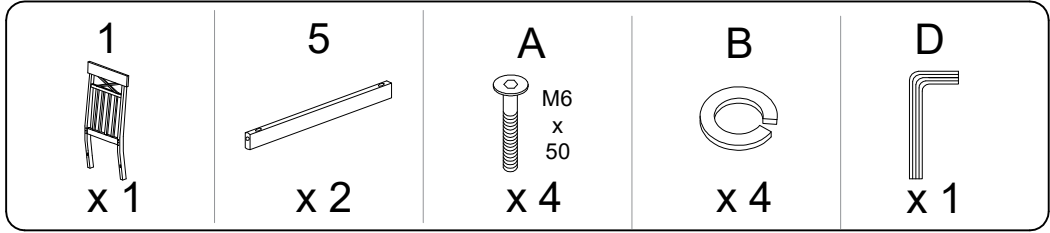
x 1



1



3



4

