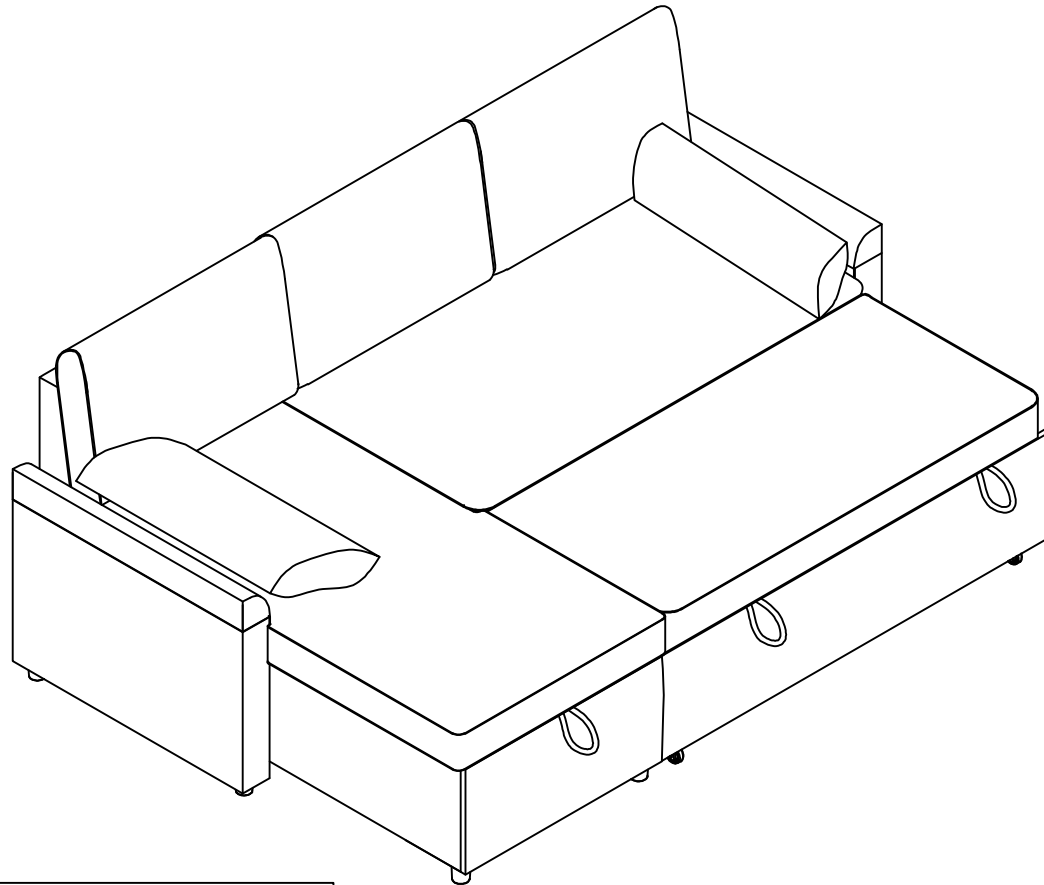


SOFA

Assembly Instruction



NOTE:

The production with TWO PACKAGES,
come with TWO TRACKINGS ,
may not be delivered at the same time.



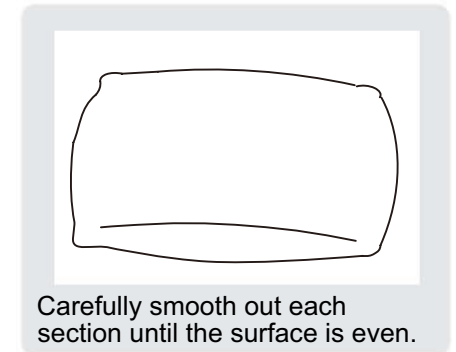
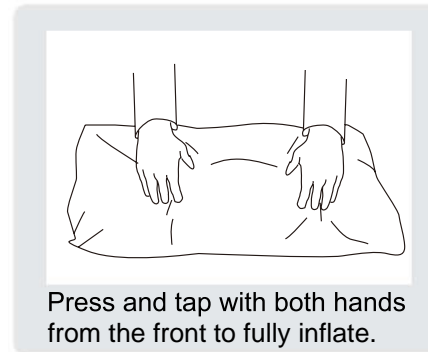
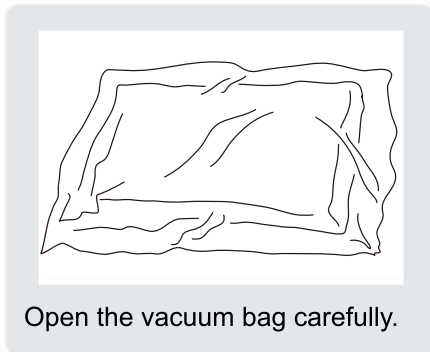
Safety and Care Advice

Important – Please read these instructions fully before starting assembly

Thanks for your purchase. Before assembling, please follow the instructions to check if all the spare parts and screws are intact.

- Considering the size and weight of the sofa, we recommend two adults to assemble the sofa, on a carpeted or padded area, in the room that it is intended for. Approximate assembly time: 30 minutes.
- Keep all components and packaging out of reach of children or animals to avoid the risk of choking or suffocation.
- Please do not throw away any of the packaging or the instruction until you have checked all the components and hardware and the furniture is fully assembled. Please ensure that the packaging is disposed in a safe and environmentally friendly way.
- Please do not take off the cover, and do not wash.

Your cushions come vacuum packed and sealed for shipping. To restore the cushion's original shape, follow the steps below.



After packing up, place them somewhere dry and ventilated. After about 72-96 hours, it can be restored to the best-use condition.

Seller's Notice:

Our product is packed in separate boxes, as shown below, and they might be shipped in different batches. Please wait until you receive all the boxes and then start the assembly.






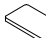





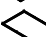



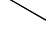

Noted: Assembly instruction is only provided in Box1.

The following is the list of components contained in each box.





BOX1









Main Structure Accessories

- C**  Two-Seat Back Frame X 1
- D2**  Chaise Left Side Board X 1
- D3**  Chaise Right Side Board X 1
- E**  Pull-out Front Bezel X 1
- F**  Back Cushion X 1
- F1**  Two-Seat Sitting Pad X 1
- F2**  Pull-out Bed Sitting Pad X 1
- F3**  Chaise Sitting Pad X 1
- F5**  Armrest Pillow X 2
- G**  Two-Seat Front Brace X 1
- H**  Pull-out Metal Frame X 1
- H1**  Chaise Metal Frame X 1
- K**  Pull-out Left Connector X 1
- K1**  Pull-out Right Connector X 1
- Q**  Chaise Storage Board X 1
- Z**  Two-Seat Back Support Wood X 1
- Z1**  Two-Seat Front Support Wood X 1

Structural Accessories

- F4**  Short Rope X 1
- F4-1**  Long Rope X 2
- M**  Sofa Legs X 10
- Z2**  Chaise Support Wood X 2










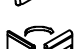

Hardware Parts

- T**  M8X50mm Bolt X 1
- N**  M8X30mm Bolt X 10+2
- P**  M8 Allen Key X 1
- U**  M5X14mm Bolt X 8+1
- V**  M6X17mm Bolt X 20+1
- Y**  M8X18mm Bolt X 6









BOX2






Main Structure Accessories

- A**  Slats X 18
- A1**  Slats with Nylon Fastener X 4
- B**  Slats X 9
- B1**  Slats with Nylon Fastener X 2
- C1**  Chaise Back Frame X 1
- D**  Two-Seat Left Side Board X 1
- D1**  Two-Seat Right Side Board X 1
- E1**  Chaise Front Side Board X 1
- F**  Back Cushion X 2
- R1**  Left Armrest X 1
- R2**  Right Armrest X 1

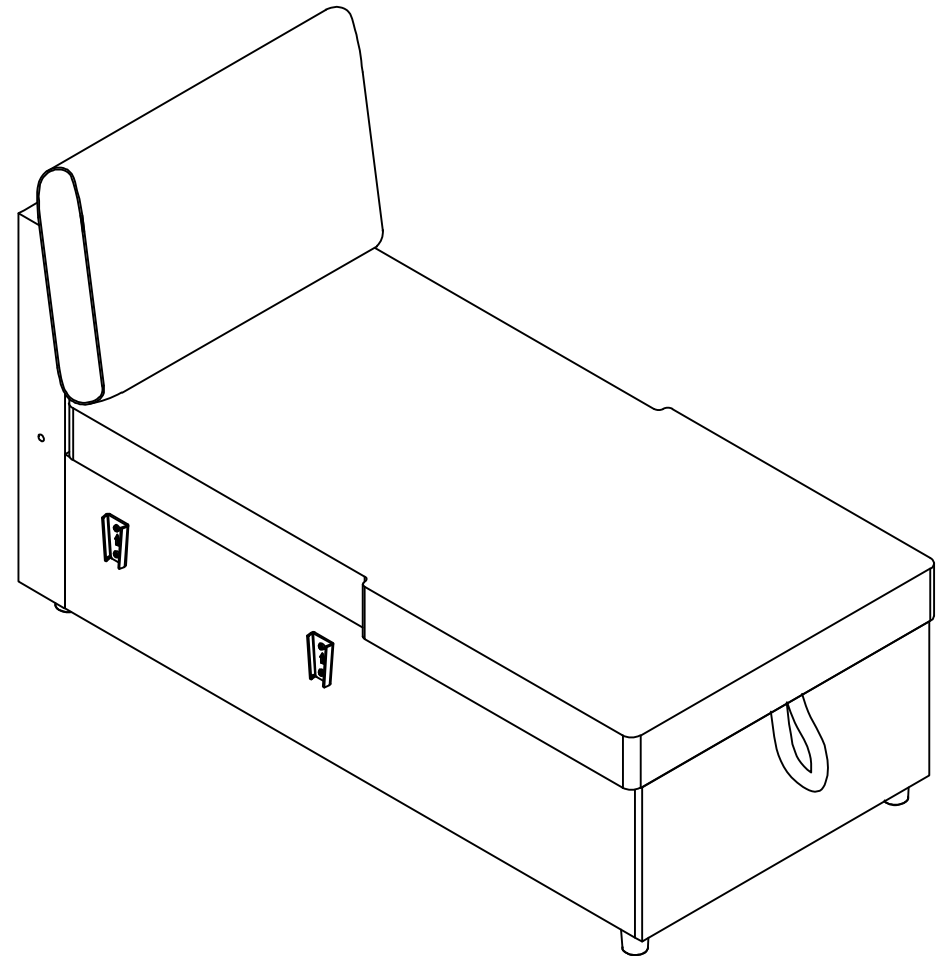
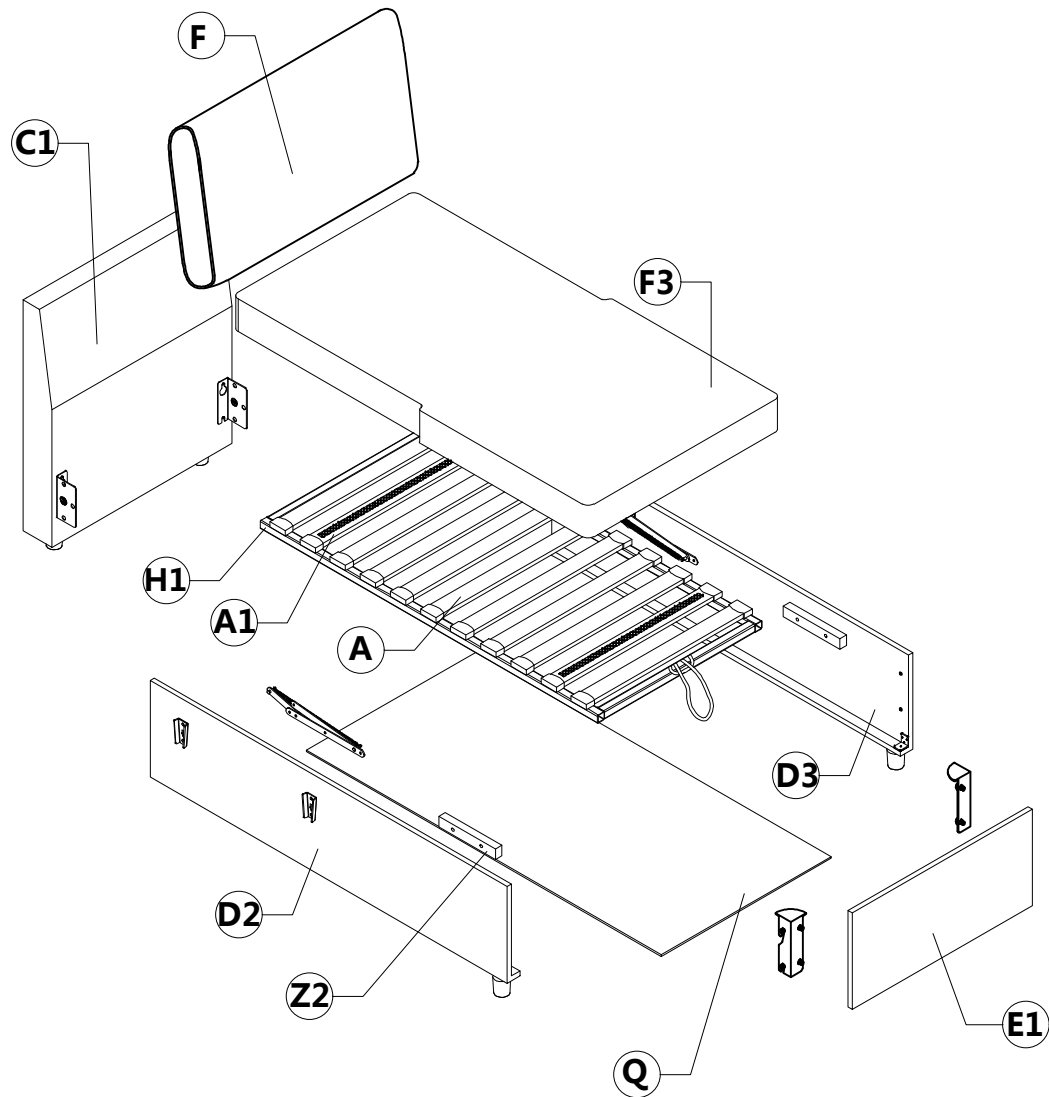
Structural Accessories

- J**  Pull-out Bed Left Track X 1
- J1**  Pull-out Bed Right Track X 1
- S**  Right Pulling Wheel Bracket X 1
- S1**  Left Pulling Wheel Bracket X 1
- W**  Bracket X 2
- X**  Bracket X 2
- W1**  Bracket X 1
- X1**  Bracket X 1

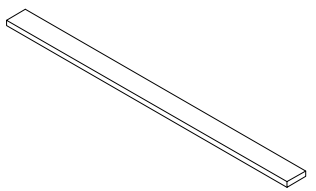
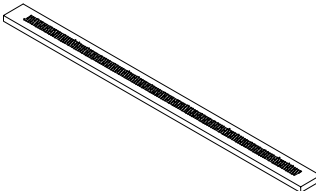
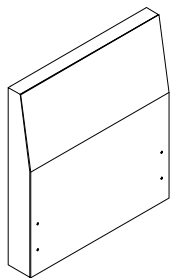
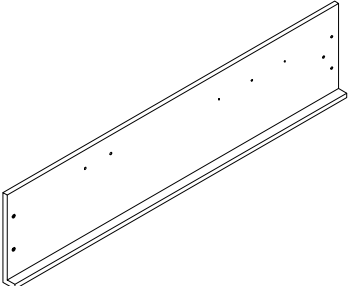
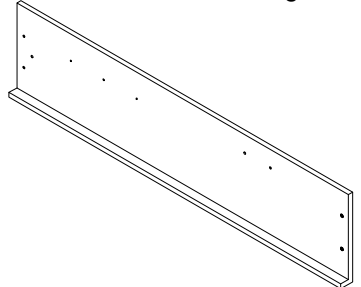
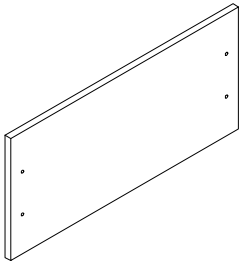
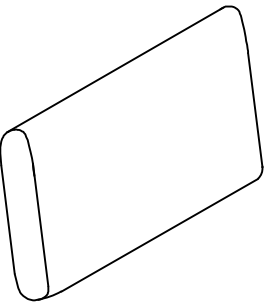
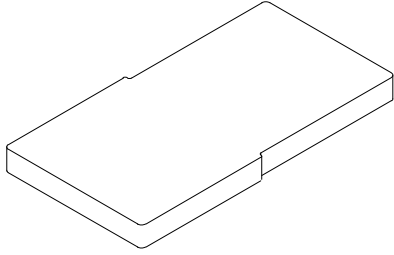
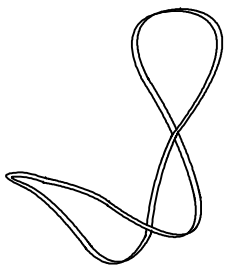
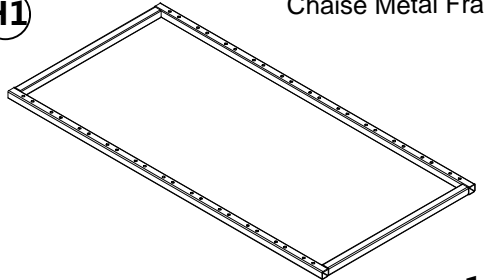
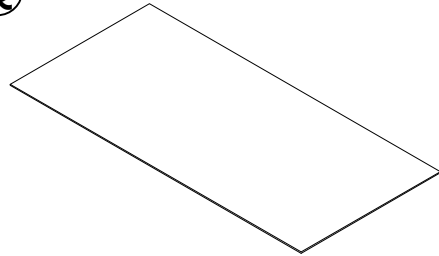
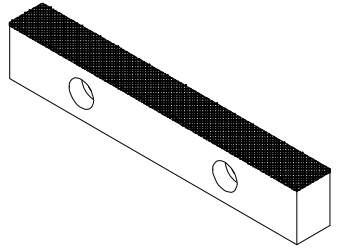
Structural Accessories

- L**  Chaise Right Connector X 1
- L1**  Chaise Left Connector X 1
- O**  Slats Cap X 66

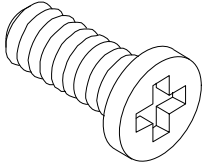
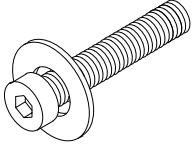
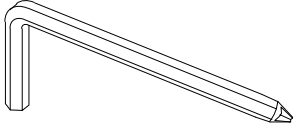
CHAISE



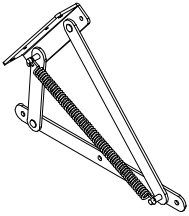
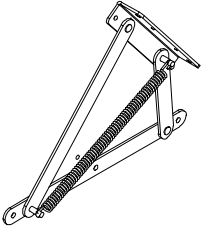
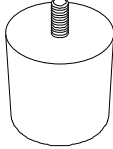
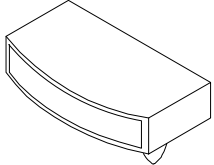
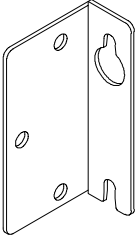
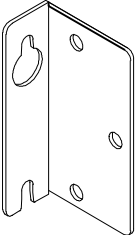
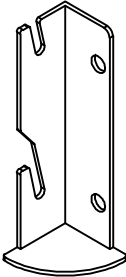
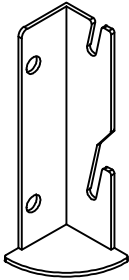
Main Structure Accessories

<p>A</p> <p>Slats</p>  <p>9pcs</p>	<p>A1</p> <p>Slats with velcro</p>  <p>2pcs</p>	<p>C1</p> <p>Chaise Back Frame</p>  <p>1pc</p>	<p>D2</p> <p>Chaise Left Side Board</p>  <p>1pc</p>
<p>D3</p> <p>Chaise Right Side Board</p>  <p>1pc</p>	<p>E1</p> <p>Chaise Front Side Board</p>  <p>1pc</p>	<p>F</p> <p>Back Cushion</p>  <p>1pc</p>	<p>F3</p> <p>Chaise Sitting Pad</p>  <p>1pc</p>
<p>F4</p> <p>Short Rope</p>  <p>1pc</p>	<p>H1</p> <p>Chaise Metal Frame</p>  <p>1pc</p>	<p>Q</p> <p>Chaise Storage Board</p>  <p>1pc</p>	<p>Z2</p> <p>Chaise Support Wood</p>  <p>2pcs</p>

Hardware Parts

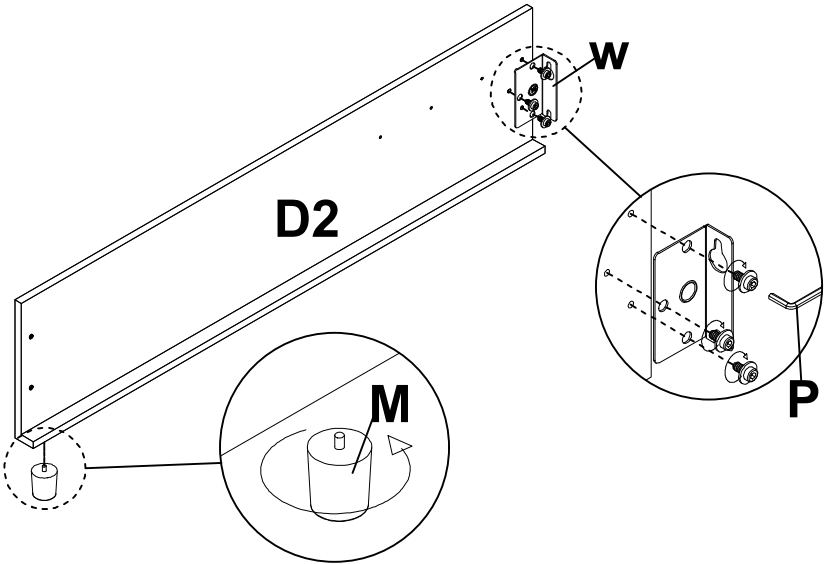
<p>(V)</p> <p>M6X17mm Bolt</p>  <p>10pcs</p>	<p>(N)</p> <p>M8X30mm Bolt</p>  <p>4pcs</p>	<p>(P)</p> <p>M8 Allen Key</p>  <p>1pc</p>
--	---	--

Structural Accessories

<p>(L)</p> <p>Chaise Right Connector</p>  <p>1pc</p>	<p>(L1)</p> <p>Chaise Left Connector</p>  <p>1pc</p>	<p>(M)</p> <p>Sofa Feet</p>  <p>4pcs</p>	<p>(O)</p> <p>Slats cap</p>  <p>22pcs</p>
<p>(W)</p> <p>Bracket</p>  <p>1pc</p>	<p>(X)</p> <p>Bracket</p>  <p>1pc</p>	<p>(W1)</p> <p>Bracket</p>  <p>1pc</p>	<p>(X1)</p> <p>Bracket</p>  <p>1pc</p>

STEP 1

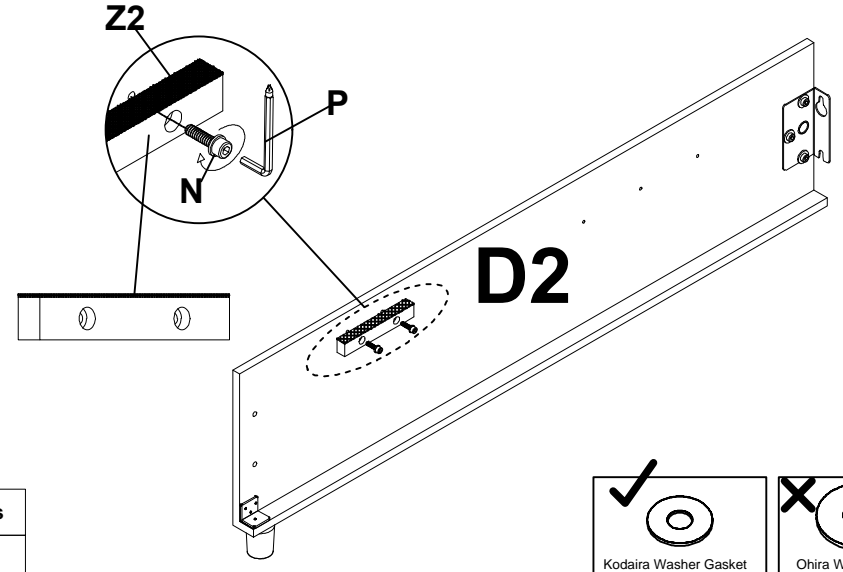
Loosen the screws first, and then lock the hanging piece
Pay attention to the opening up on the side near the foot post



- W x 1pc
- P x 1pc

STEP 2

Note that the countersink hole faces outward
and the EVA non-slip sticker faces upward when installing

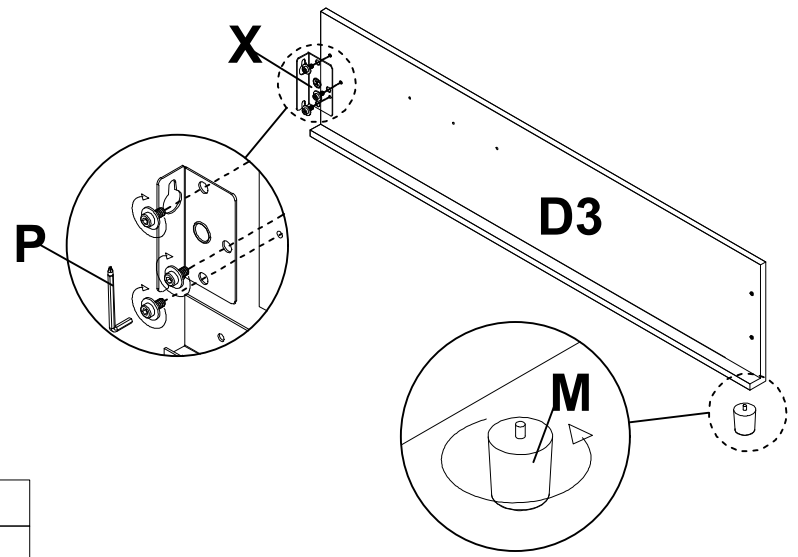


- N x 2pcs
- P x 1pc

- Kodaira Washer Gasket
- Ohira Washer Gasket

STEP 3

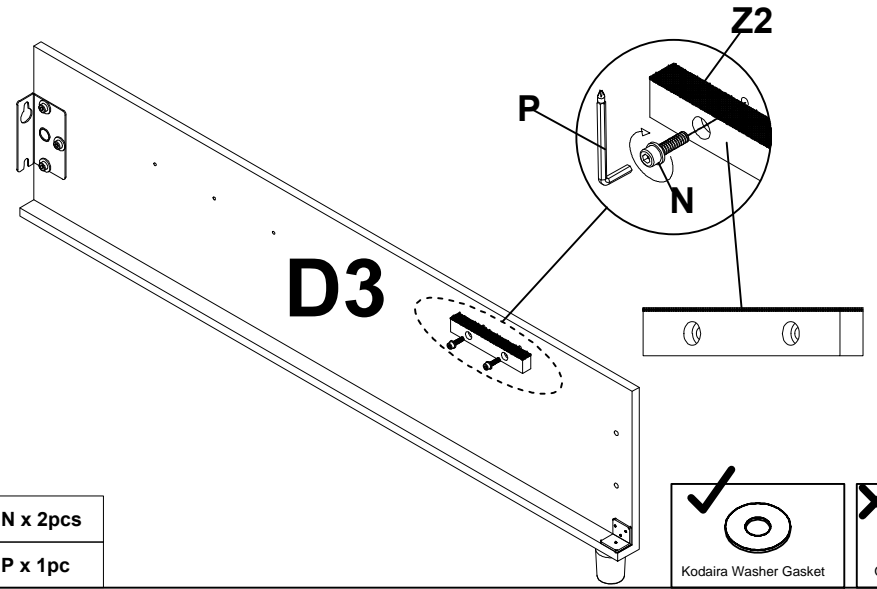
Loosen the screws first, and then lock the hanging piece
Pay attention to the opening up on the side near the foot post



- X x 1pc
- P x 1pc

STEP 4

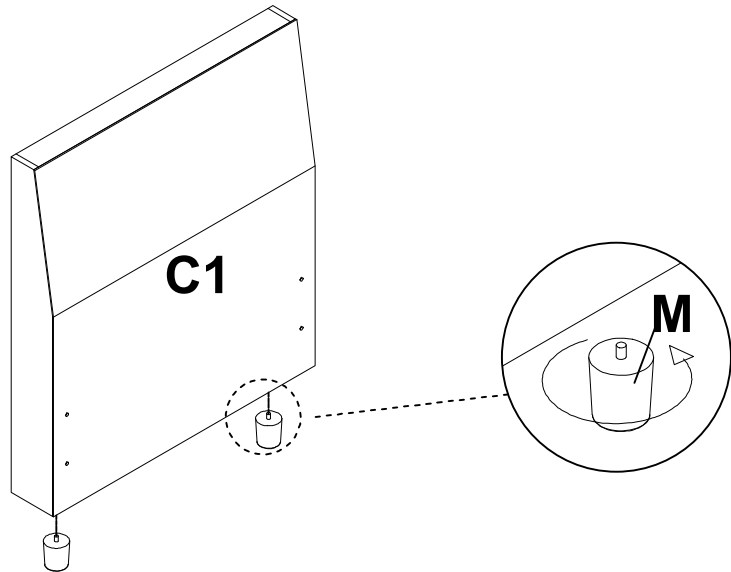
Note that the countersink hole faces outward
and the EVA non-slip sticker faces upward when installing



- N x 2pcs
- P x 1pc

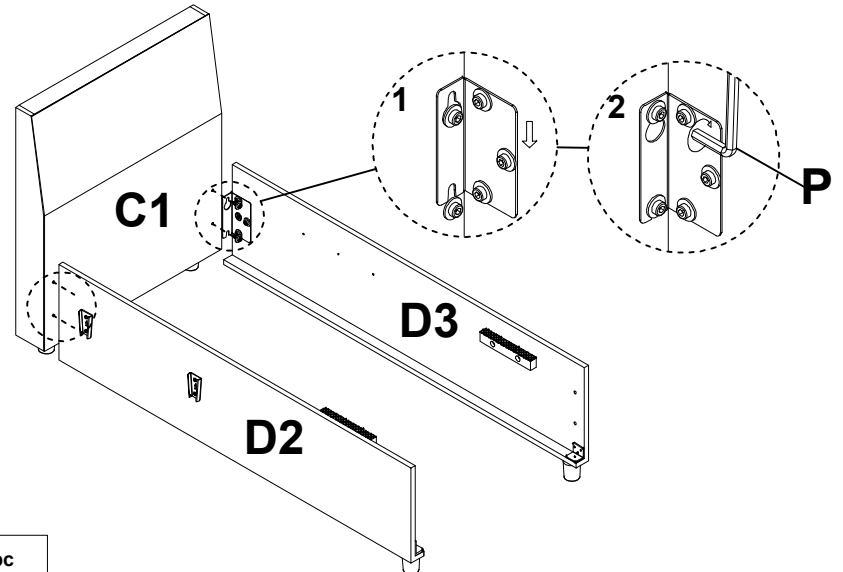
- Kodaira Washer Gasket
- Ohira Washer Gasket


STEP 5



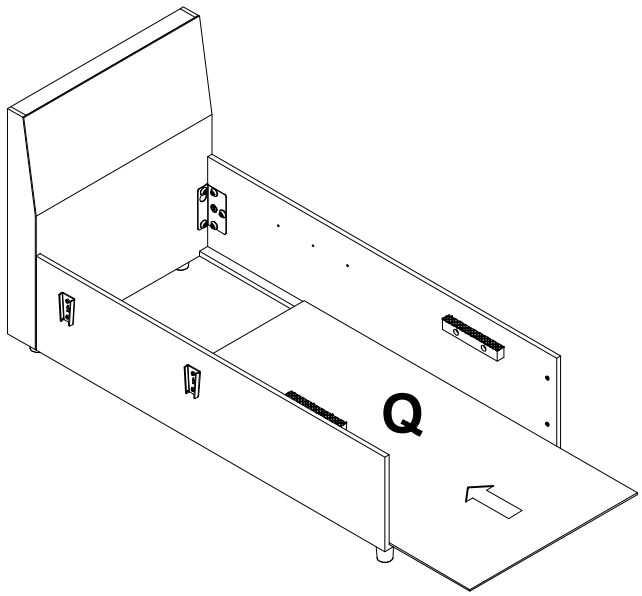
STEP 6

First loosen the screws, install the mounting plate and lock the screws

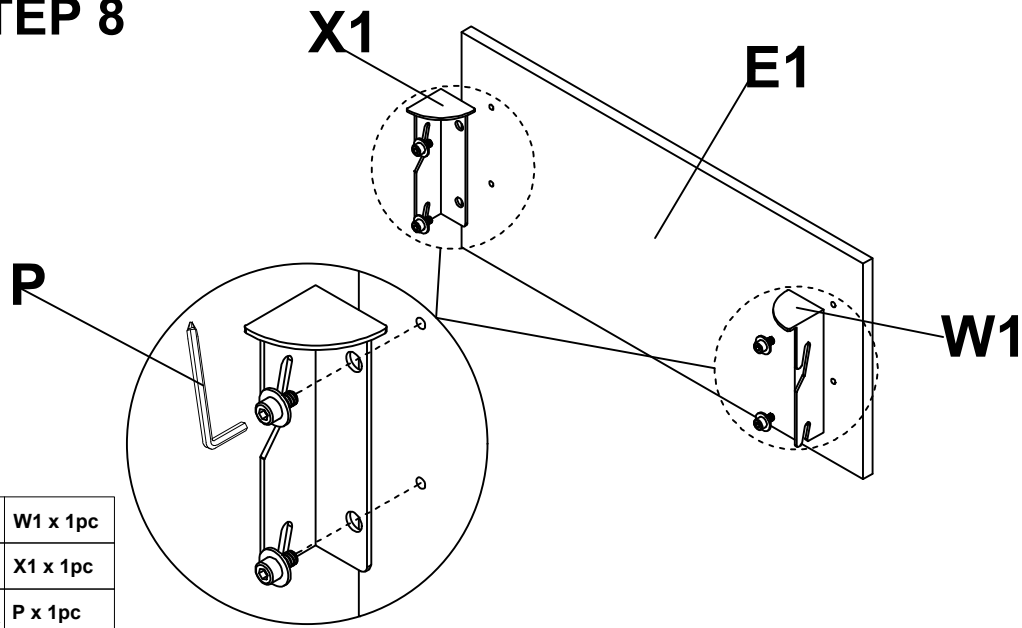





 P x 1pc

STEP 7

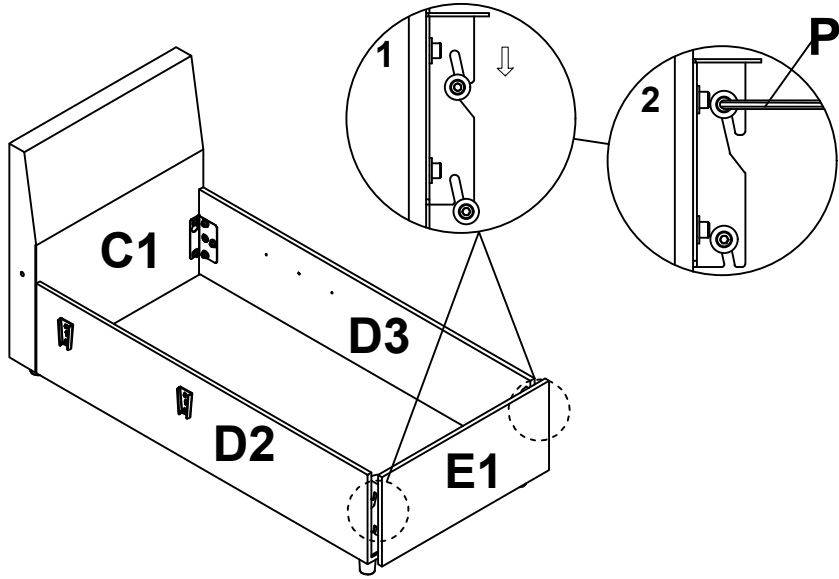


STEP 8



-  W1 x 1pc
-  X1 x 1pc
-  P x 1pc

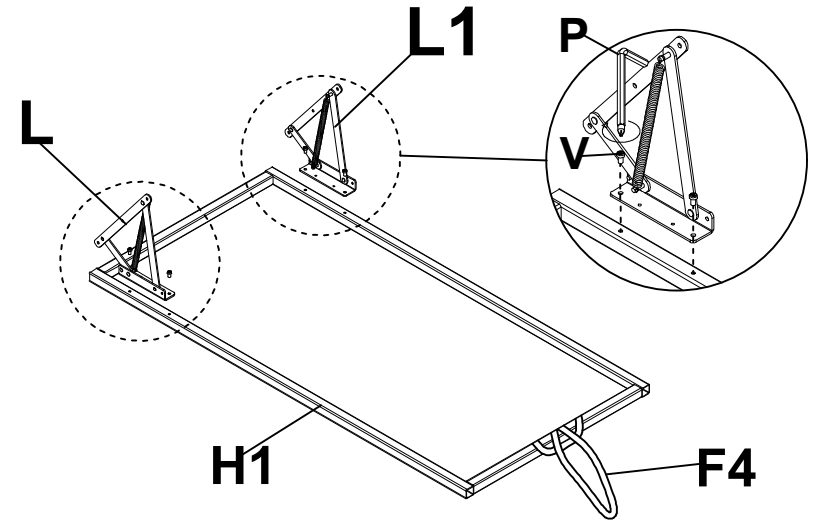
STEP 9





 P x 1pc

STEP 10

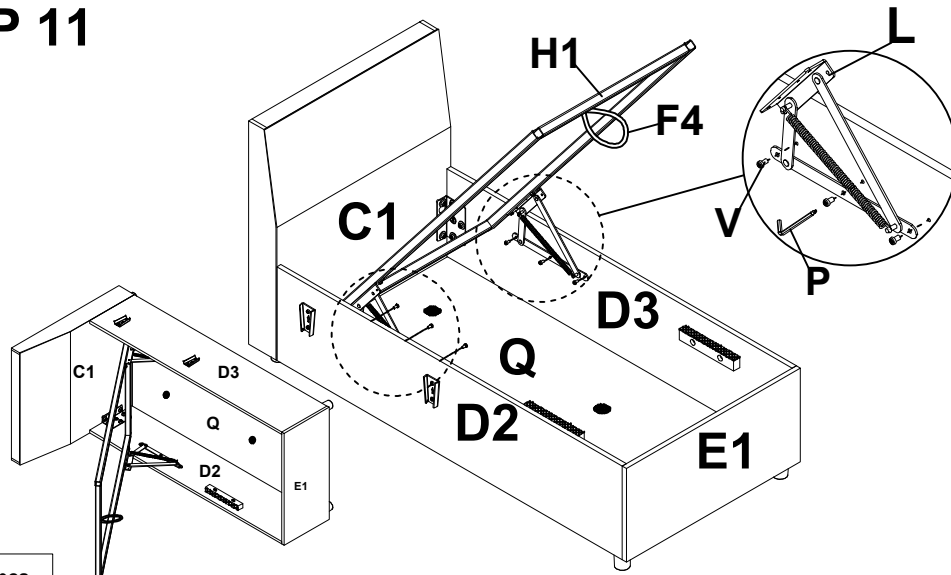
Note that accessories distinguish left and right, after installation and lock the screws

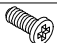



 V x 4pcs

 P x 1pc

STEP 11



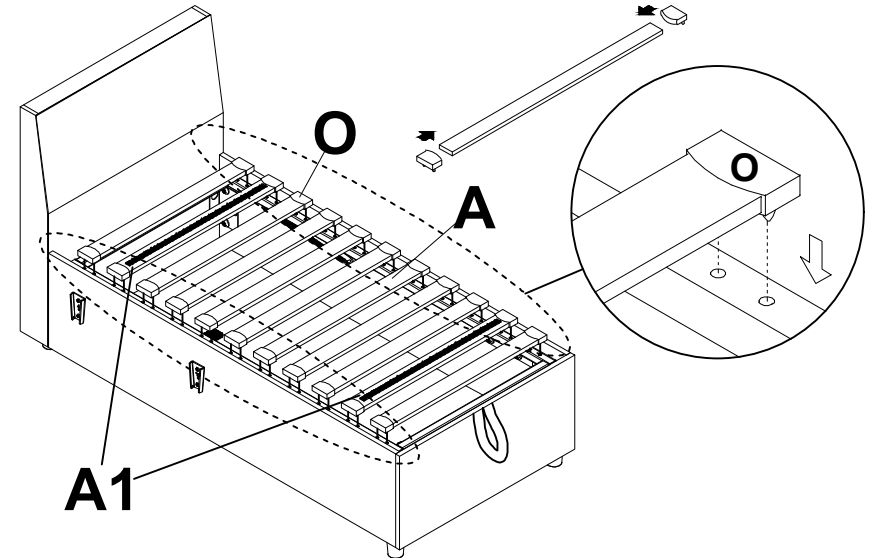
 V x 6pcs

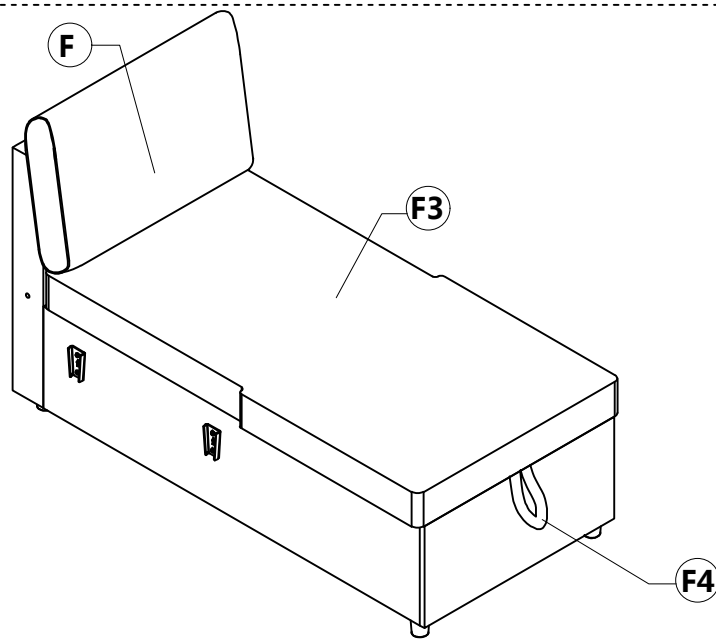
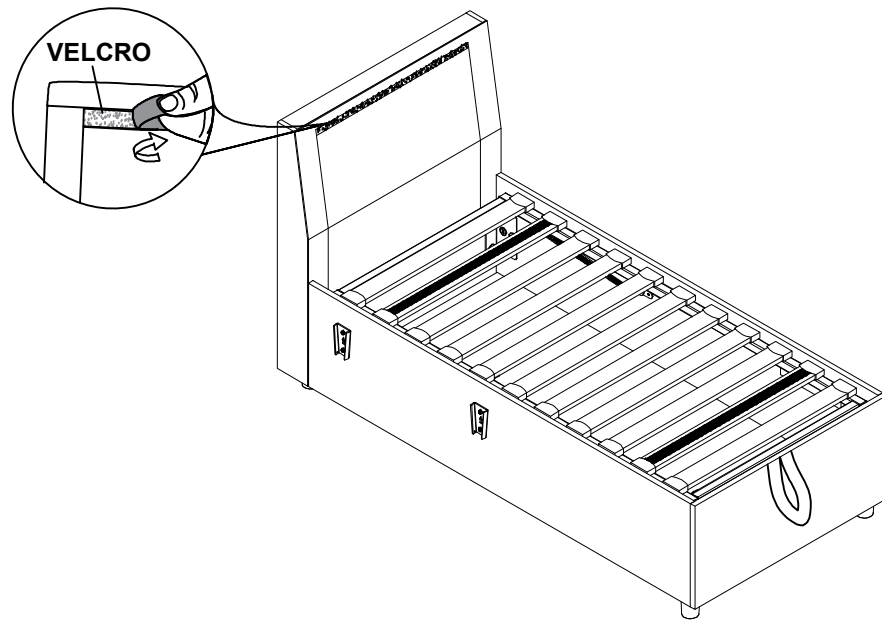
 P x 1pc

Note: Easier to install when tilted

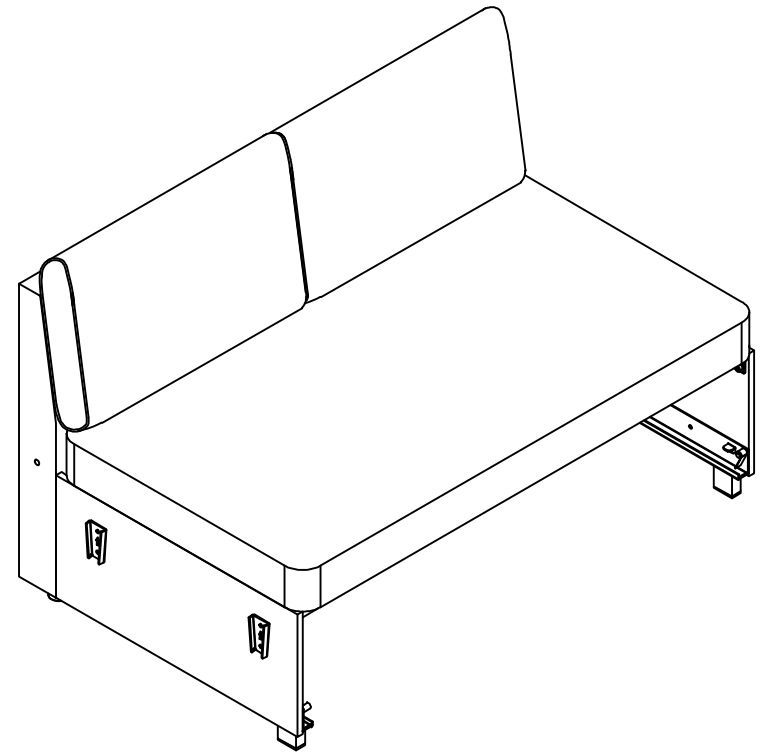
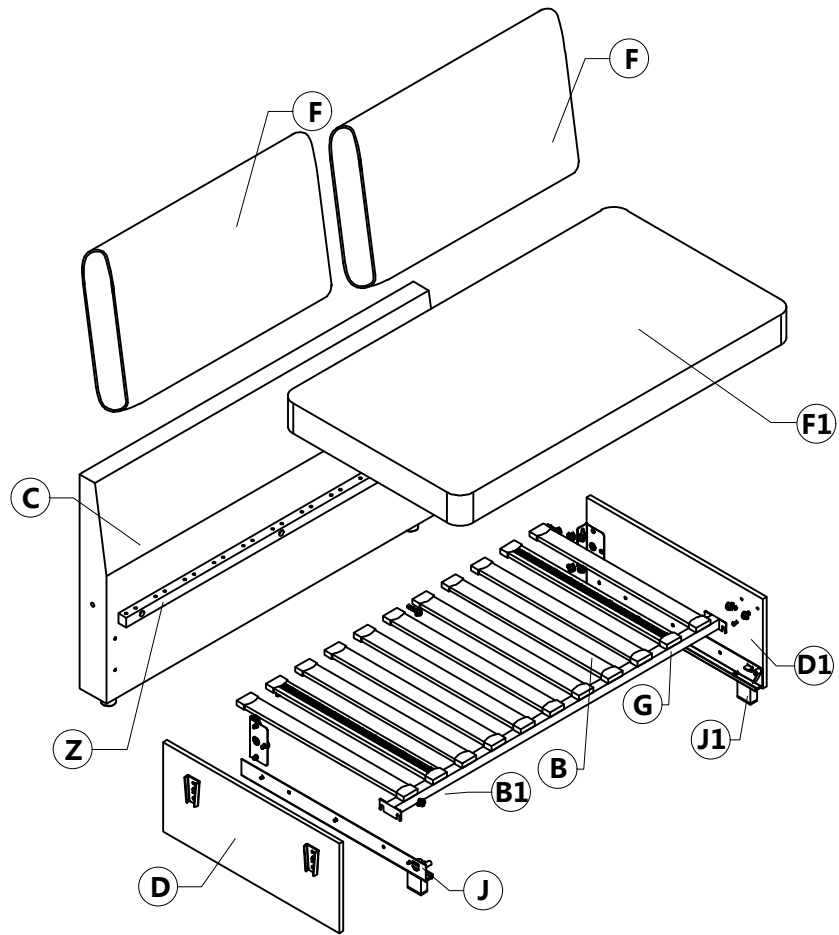
STEP 12

Place the A1 in the second position and note that the Nylon Fastener side is facing up

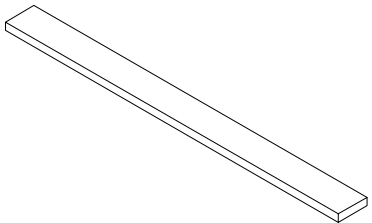
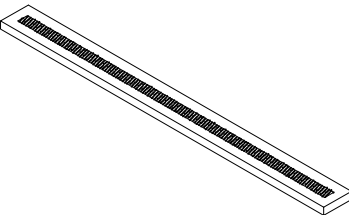
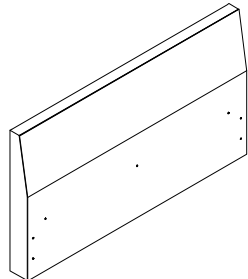
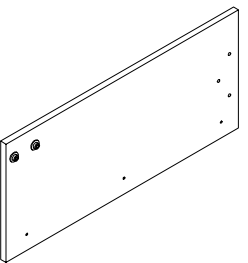
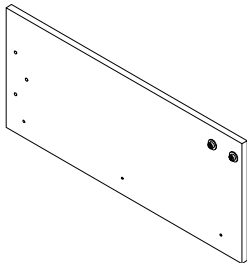
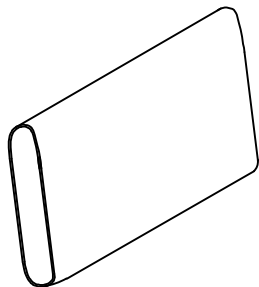
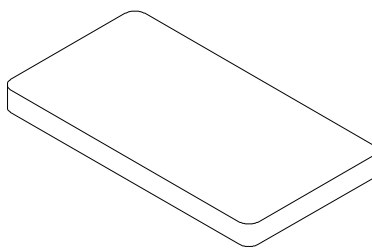
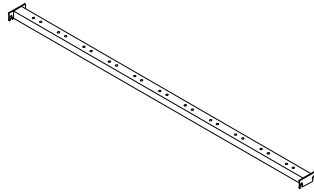
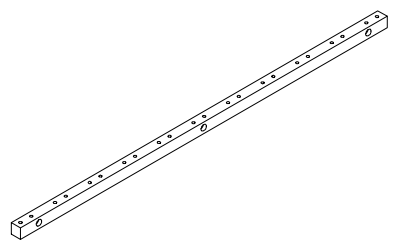




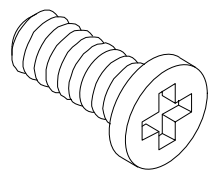
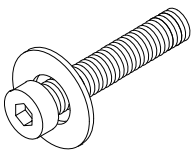
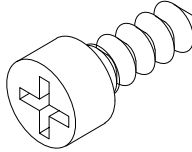
TWO SEATS



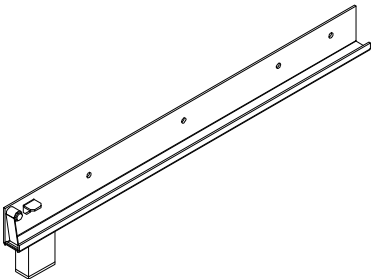
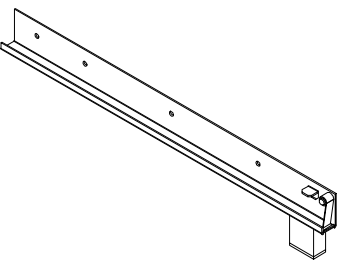
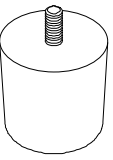
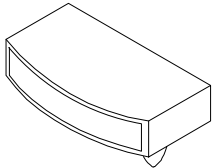
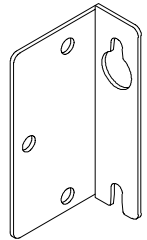
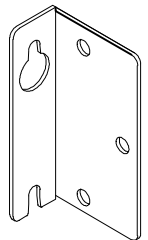
Main Structure Accessories

<p>B</p> <p>Slats</p>  <p>9pcs</p>	<p>B1</p> <p>Slats with velcro</p>  <p>2pcs</p>	<p>C</p> <p>Two-seat Back Frame</p>  <p>1pc</p>	<p>D</p> <p>Two-seat Left Side Board</p>  <p>1pc</p>
<p>D1</p> <p>Two-seat Right Side Board</p>  <p>1pc</p>	<p>F</p> <p>Back Cushion</p>  <p>2pcs</p>	<p>F1</p> <p>Two-seat Sitting Pad</p>  <p>1pc</p>	<p>G</p> <p>Two-seat Front Brace</p>  <p>1pc</p>
<p>Z</p> <p>Two-seat Back Support Wood</p>  <p>1pc</p>			

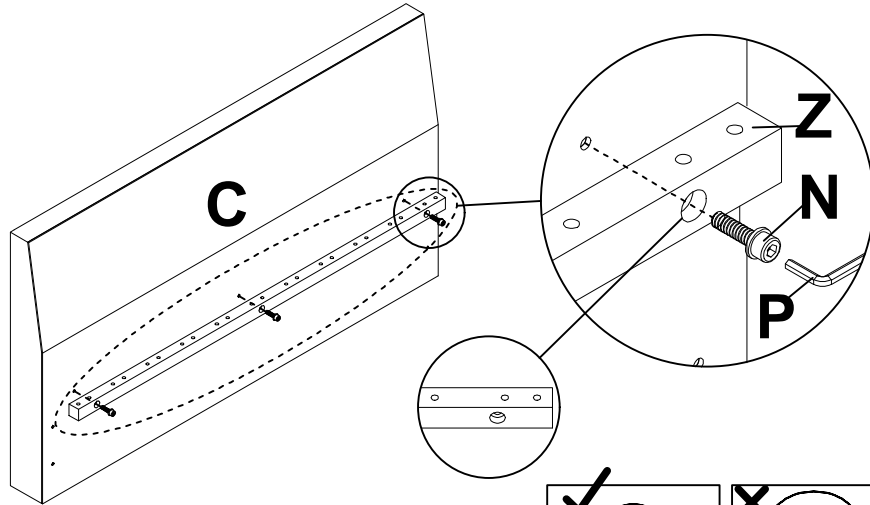
Hardware Parts



<p>V</p> <p>M6X17mm Bolt</p>  <p>6pcs</p>	<p>N</p> <p>M8X30mm Bolt</p>  <p>3pcs</p>	<p>U</p> <p>M5X14mm Bolt</p>  <p>4pcs</p>
---	---	---

Structural Accessories

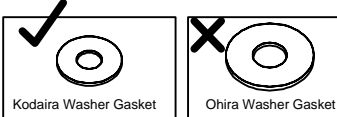
<p>J</p> <p>Pullout Bed Left Track</p>  <p>1pc</p>	<p>J1</p> <p>Pullout Bed Right Track</p>  <p>1pc</p>	<p>M</p> <p>Sofa Feet</p>  <p>2pcs</p>	<p>O</p> <p>Slats cap</p>  <p>22pcs</p>
<p>W</p> <p>Bracket</p>  <p>1pc</p>	<p>X</p> <p>Bracket</p>  <p>1pc</p>		

STEP 1

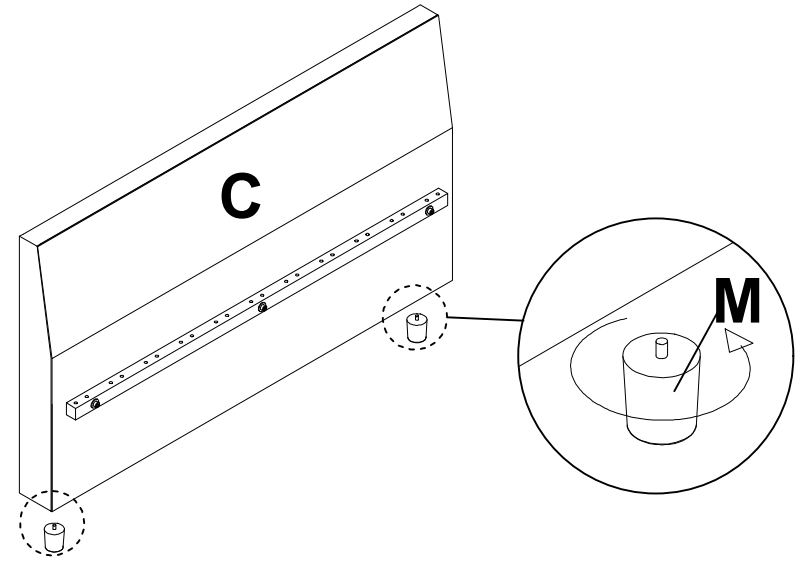


-  **N x 3pcs**
-  **P x 1pc**

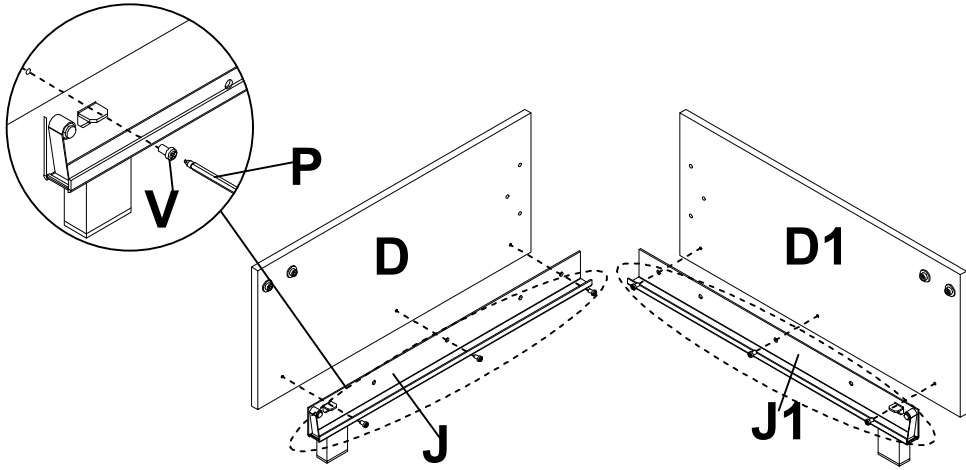
Note that the hole of the buckle faces upward and the countersunk hole faces outward





STEP 2



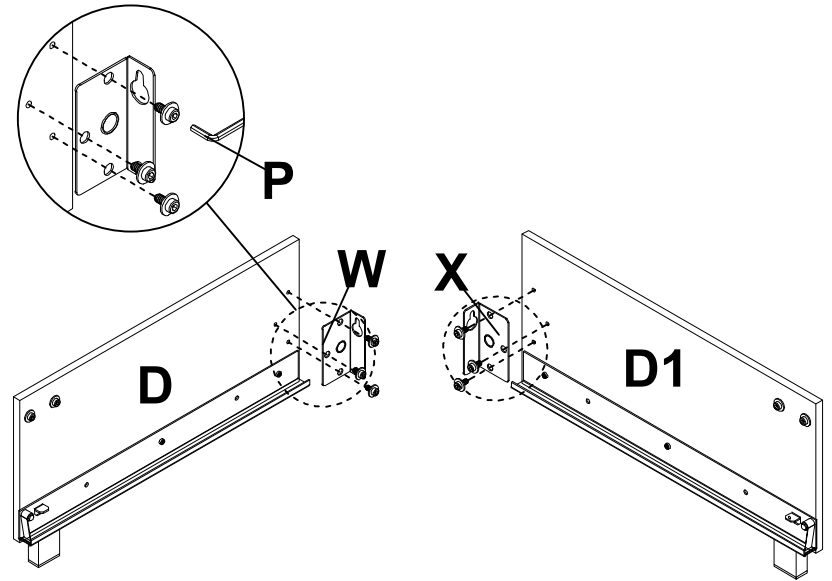
STEP 3


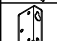



-  **V x 6pcs**
-  **P x 1pc**

STEP 4

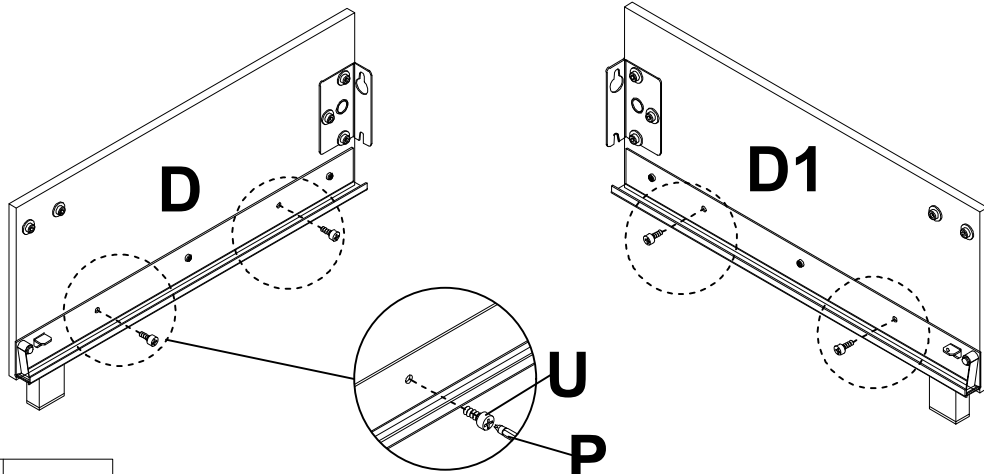
Loosen the screws properly first for better engagement.





-  **X x 1pc**
-  **W x 1pc**
-  **P x 1pc**

STEP 5

Reinforcing lock with self-tapping screws

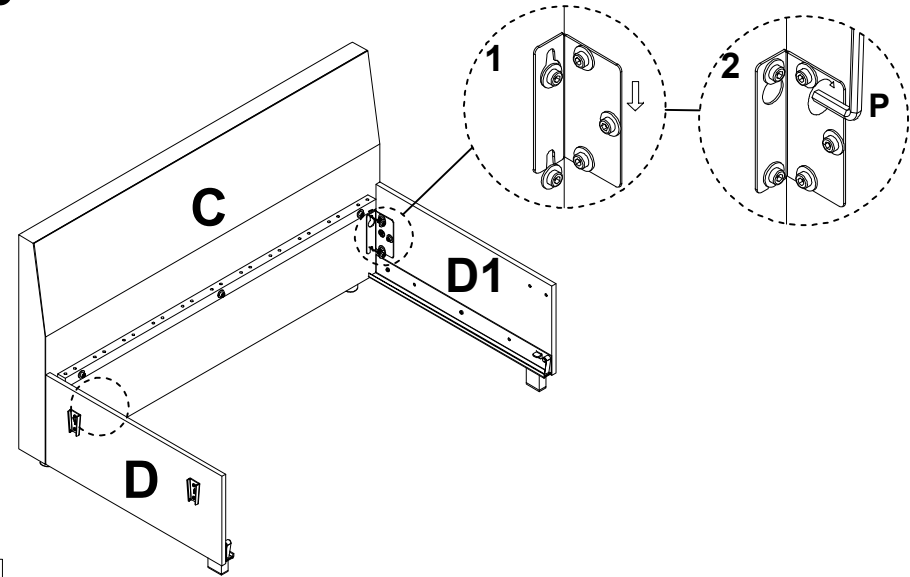



-  U x 4pcs
-  P x 1pc

Tips: Self-tapping screw is an auxiliary reinforcement function, you can choose to reinforce or not.

STEP 6

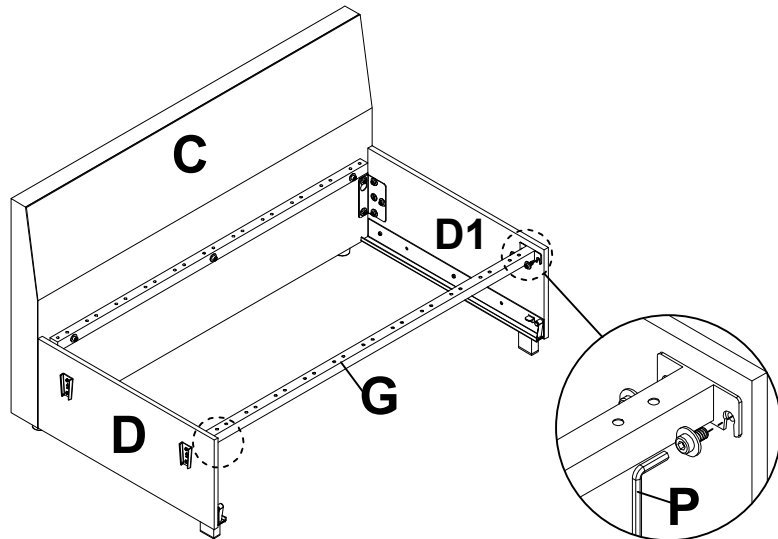
First loosen the screws, install the mounting plate and lock the screws



-  P x 1pc

STEP 7

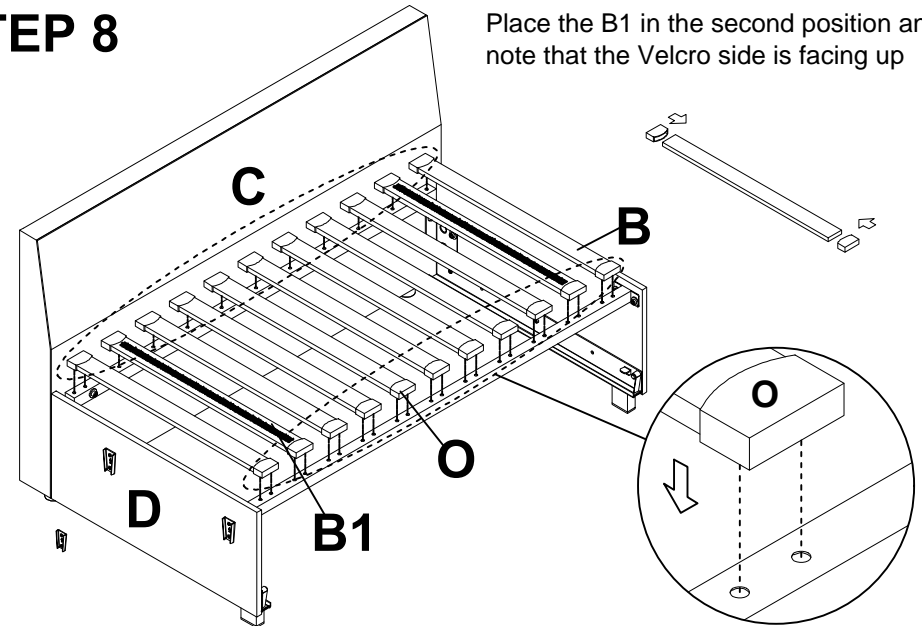
Loosen the screws properly first for better engagement.

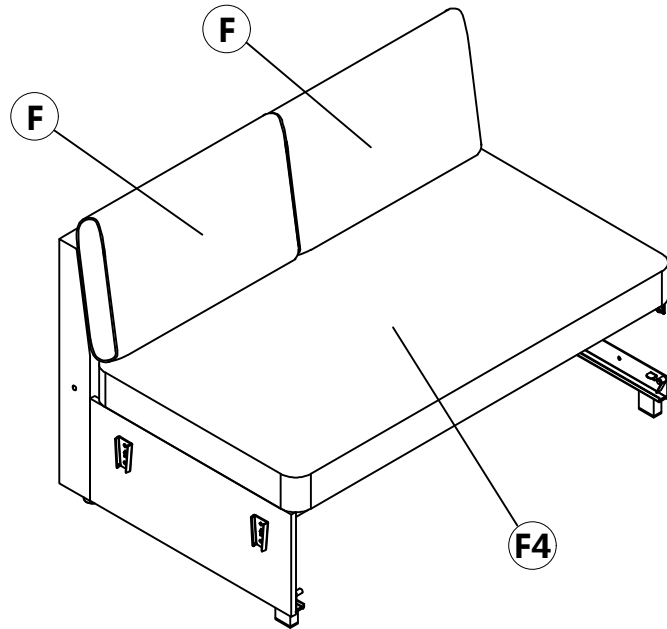
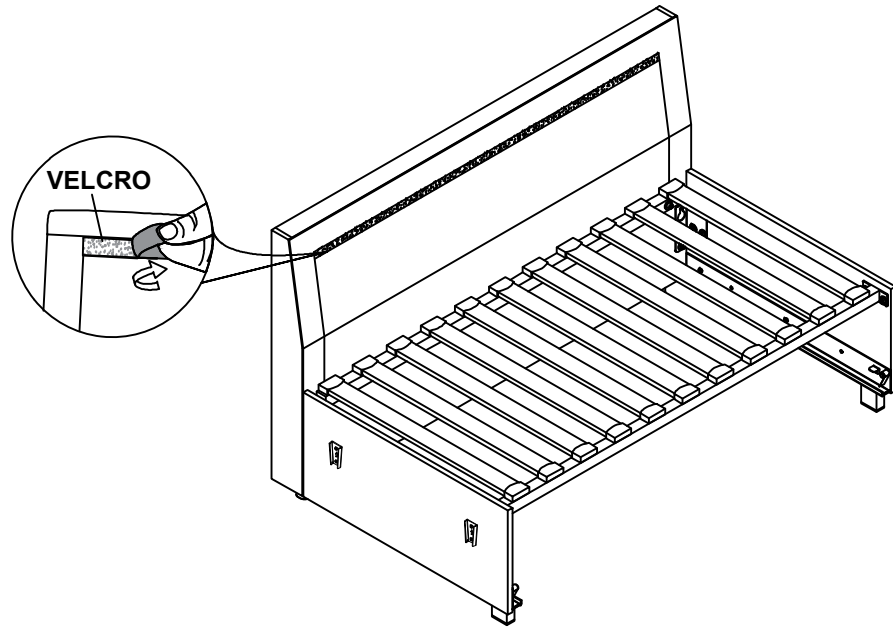


-  P x 1pc

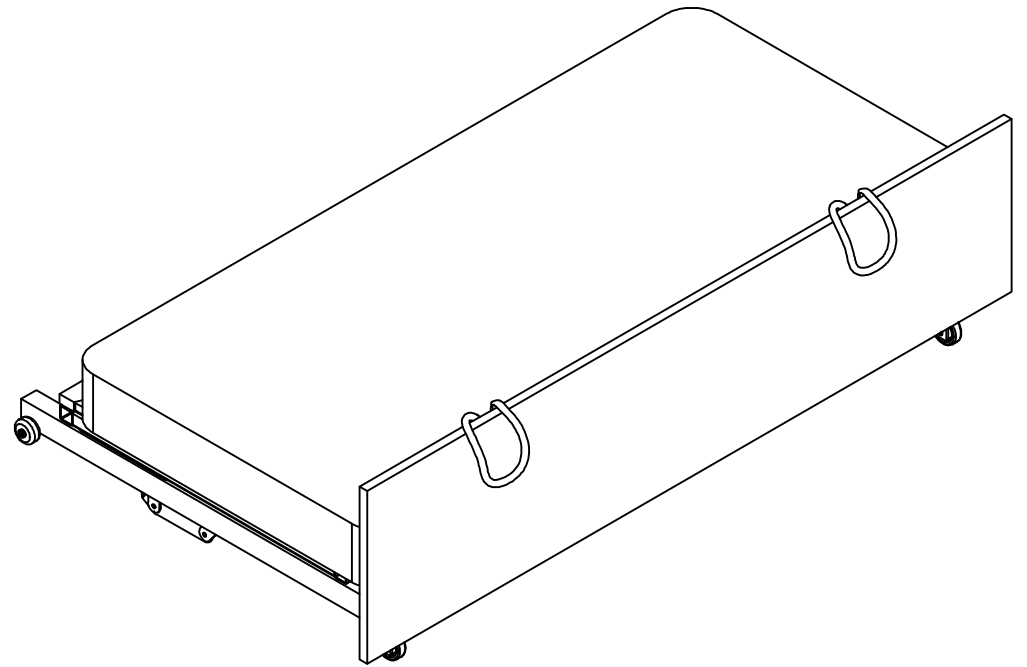
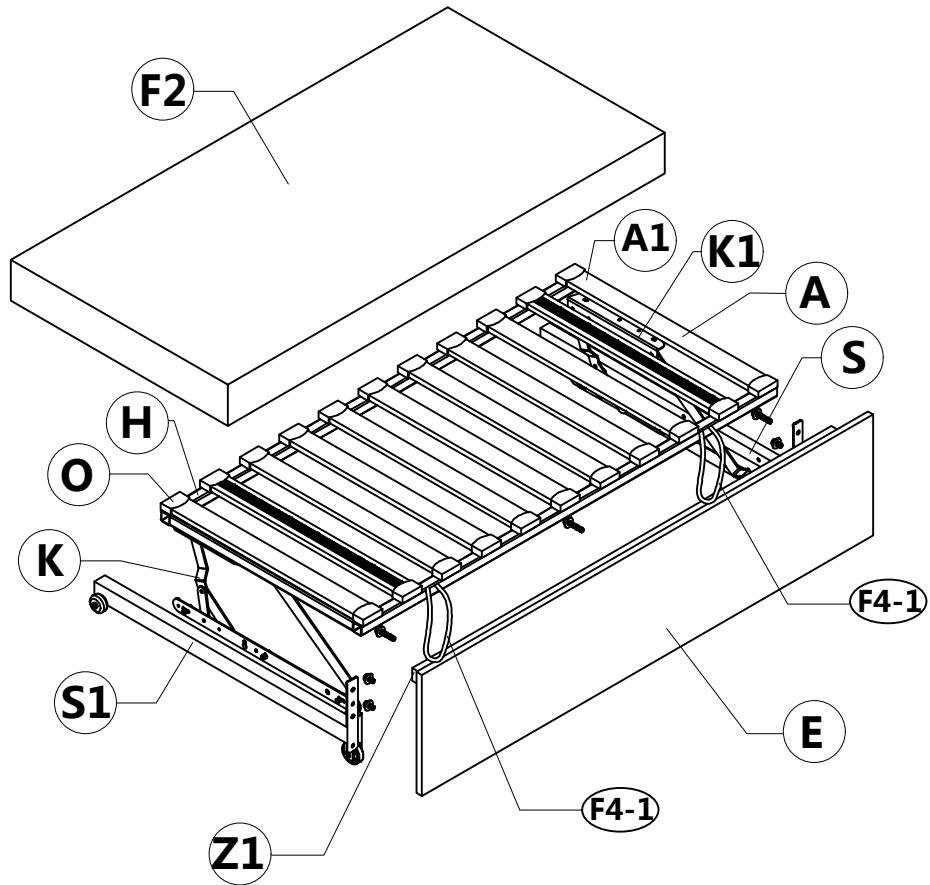
STEP 8

Place the B1 in the second position and note that the Velcro side is facing up

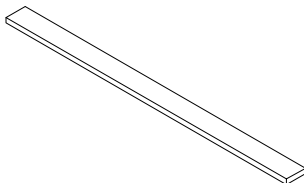
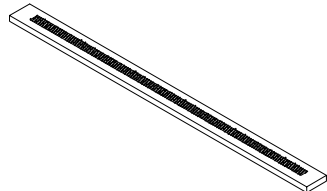
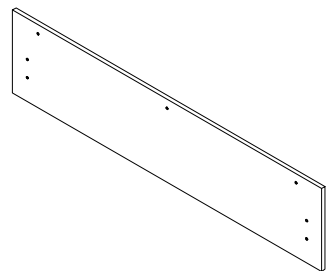
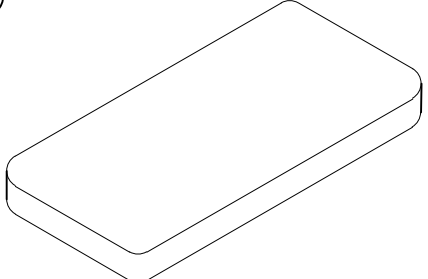
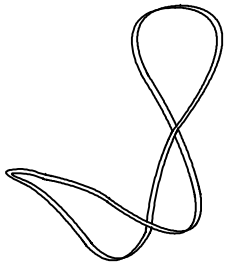
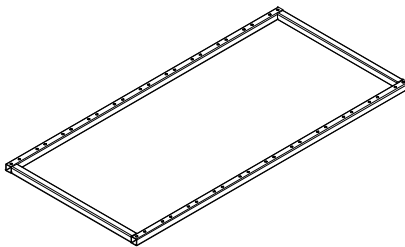
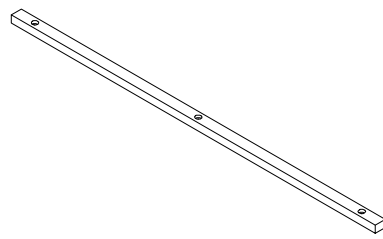




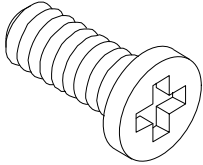
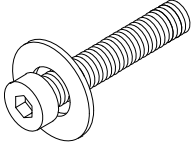
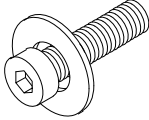
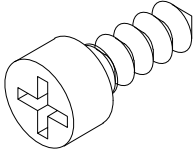
PULL-OUT



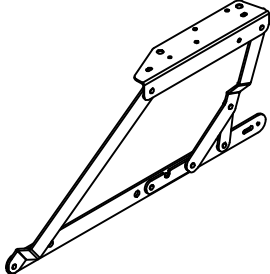
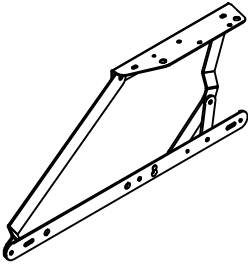
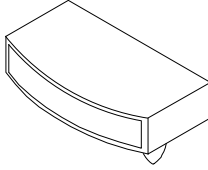
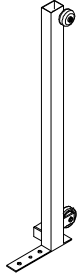
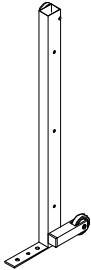
Main Structure Accessories

<p>(A)</p>  <p>Slats</p> <p>9pcs</p>	<p>(A1)</p>  <p>Slats with velcro</p> <p>2pcs</p>	<p>(E)</p>  <p>Pullout bed Panel</p> <p>1pc</p>	<p>(F2)</p>  <p>Pullout bed Sitting Pad</p> <p>1pc</p>
<p>(F4-1)</p>  <p>Long Rope</p> <p>2pcs</p>	<p>(H)</p>  <p>Two-seat Metal Frame</p> <p>1pc</p>	<p>(Z1)</p>  <p>Two-seat Front Support Wood</p> <p>1pc</p>	

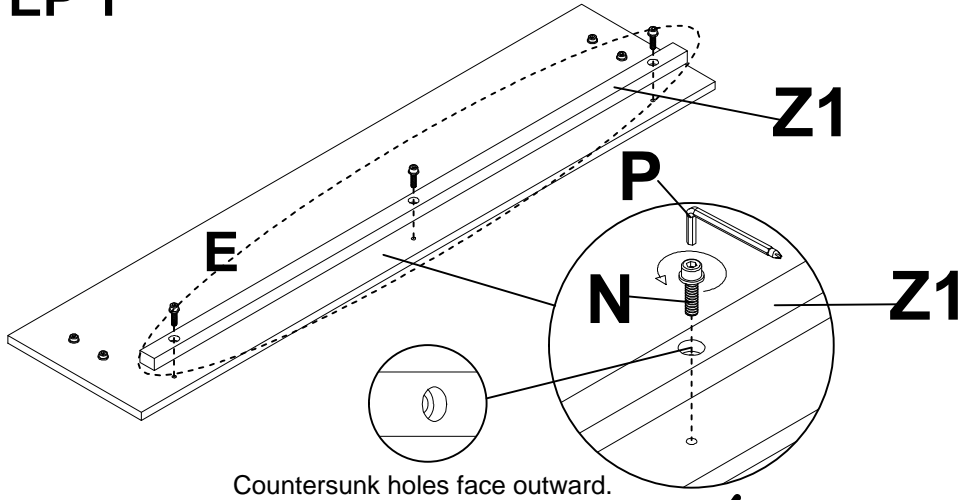
Hardware Parts



<p>(V)</p> <p>M6X17mm Bolt</p>  <p>M6X17mm</p> <p>4pcs</p>	<p>(N)</p> <p>M8X30mm Bolt</p>  <p>M8X30mm</p> <p>3pcs</p>	<p>(Y)</p> <p>M8X18mm Bolt</p>  <p>M8X18mm</p> <p>6pcs</p>	<p>(U)</p> <p>M5X14mm Bolt</p>  <p>M5X14mm</p> <p>4pcs</p>
--	--	--	--

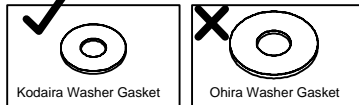
Structural Accessories

<p>(K)</p> <p>Two-seat Left Connector</p>  <p>1pc</p>	<p>(K1)</p> <p>Two-seat Right Connector</p>  <p>1pc</p>	<p>(O)</p> <p>Slats cap</p>  <p>22pcs</p>	<p>(S)</p> <p>Right Pulling Wheel Bracket</p>  <p>1pc</p>
<p>(S1)</p> <p>Left Pulling Wheel Bracket</p>  <p>1pc</p>			

STEP 1

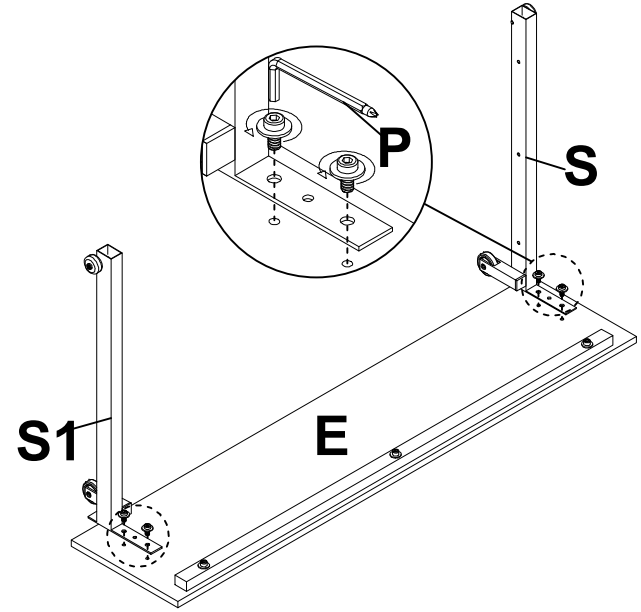



-  N x 3pcs
-  P x 1pc



STEP 2

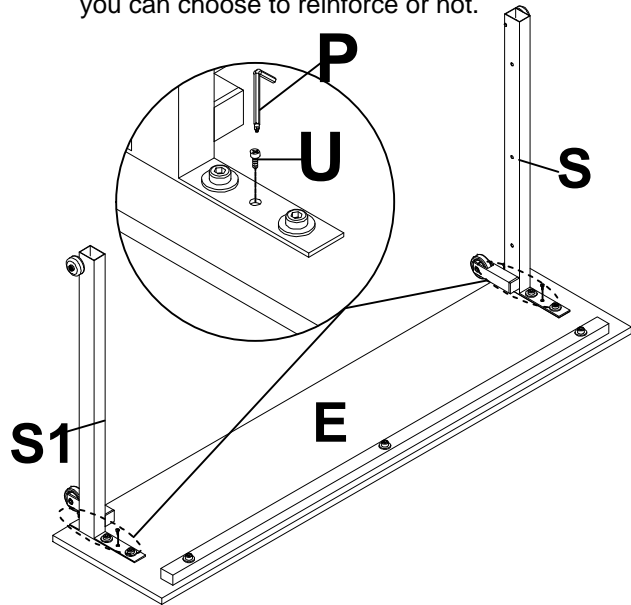
Loosen the screws properly first for better engagement.

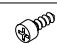



-  P x 1pc

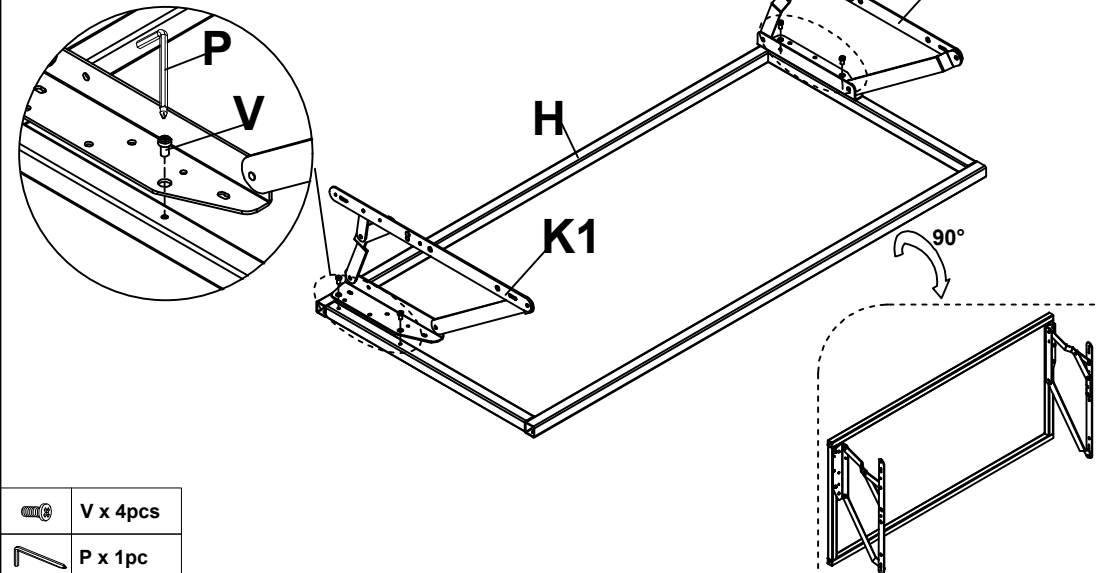
STEP 3



Tips: Self-tapping screw is an auxiliary reinforcement function, you can choose to reinforce or not.



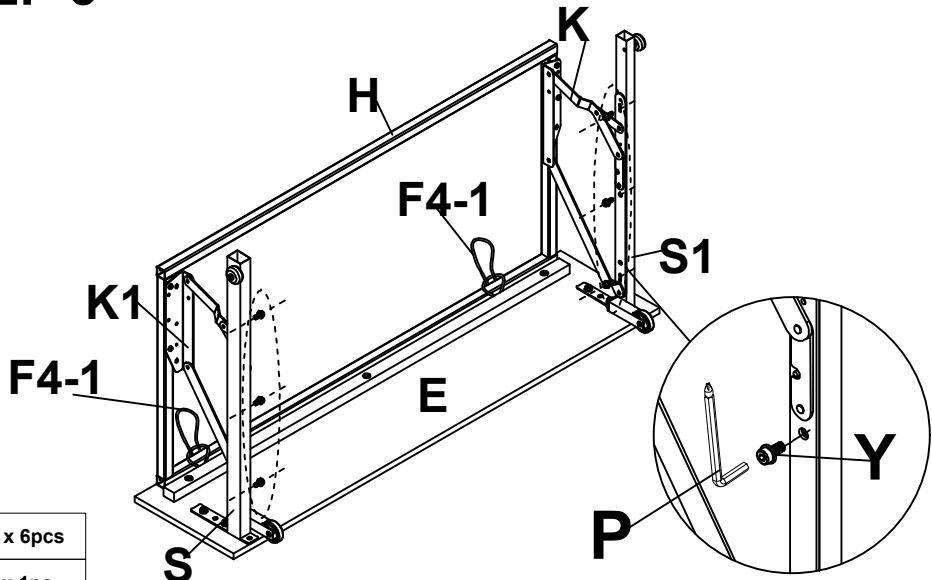
-  U x 4pcs
-  P x 1pc



STEP 4



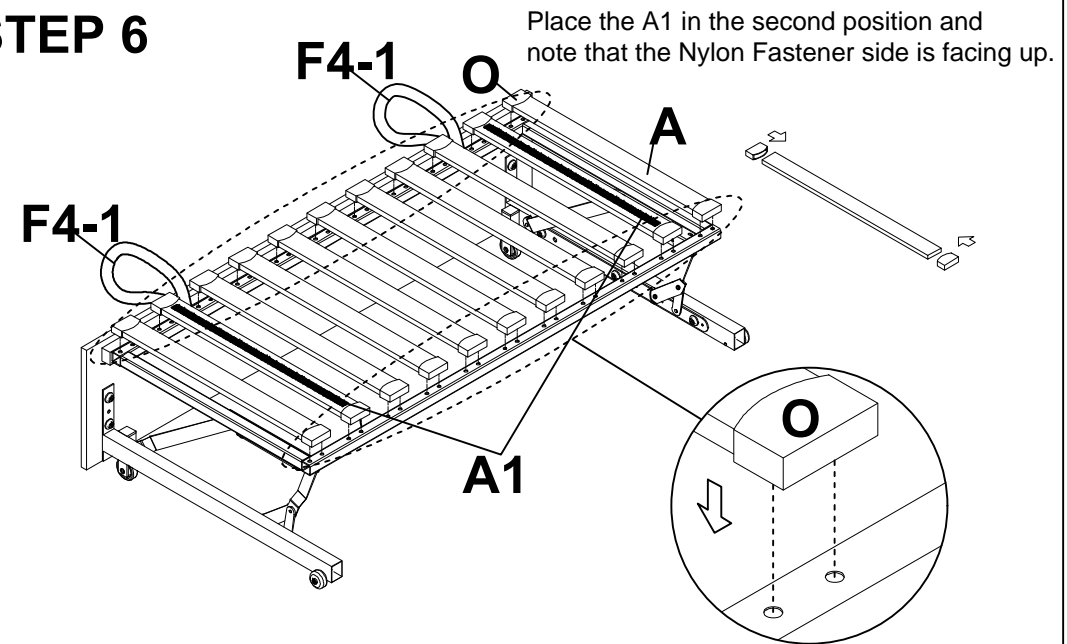
-  V x 4pcs
-  P x 1pc

STEP 5

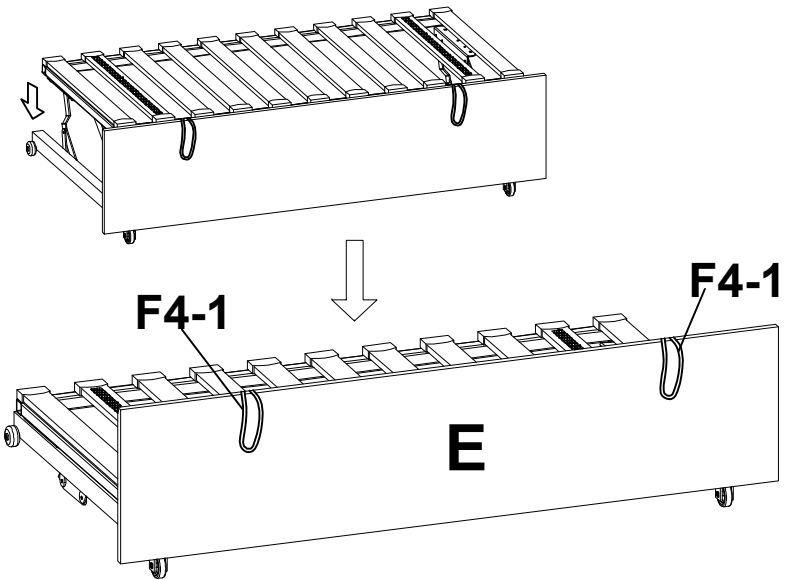


-  Y x 6pcs
-  P x 1pc

STEP 6

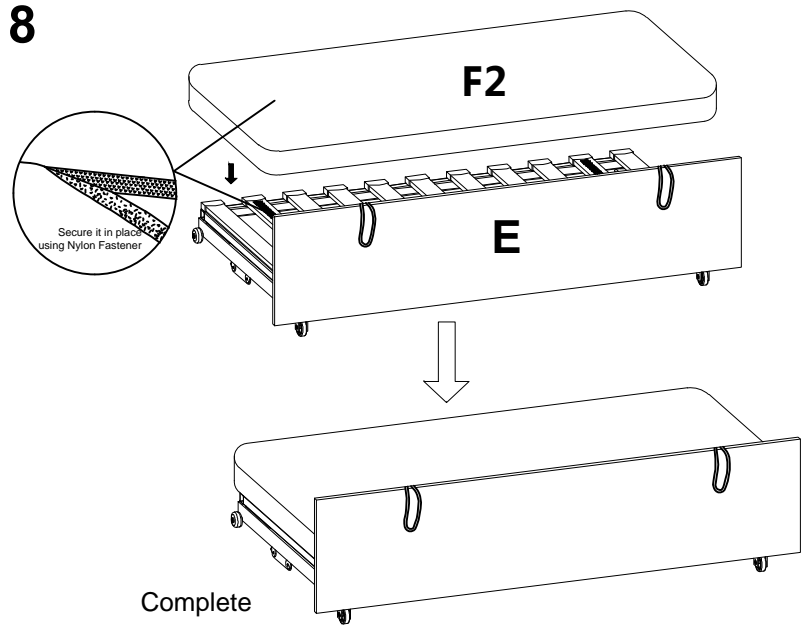


STEP 7

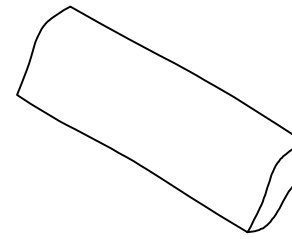
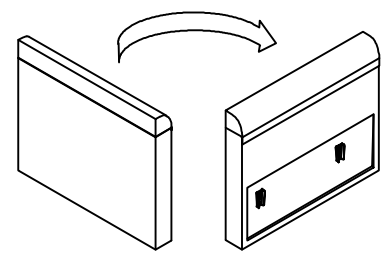
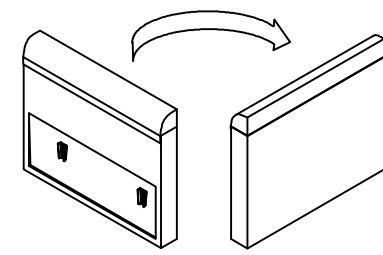


Pull the drawstring to adjust the supporting frame.

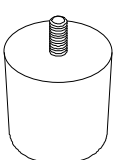
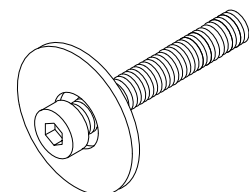
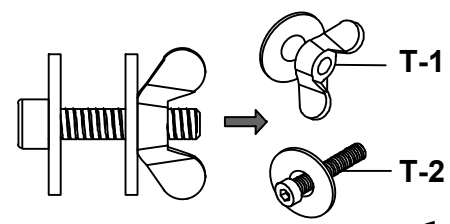
STEP 8



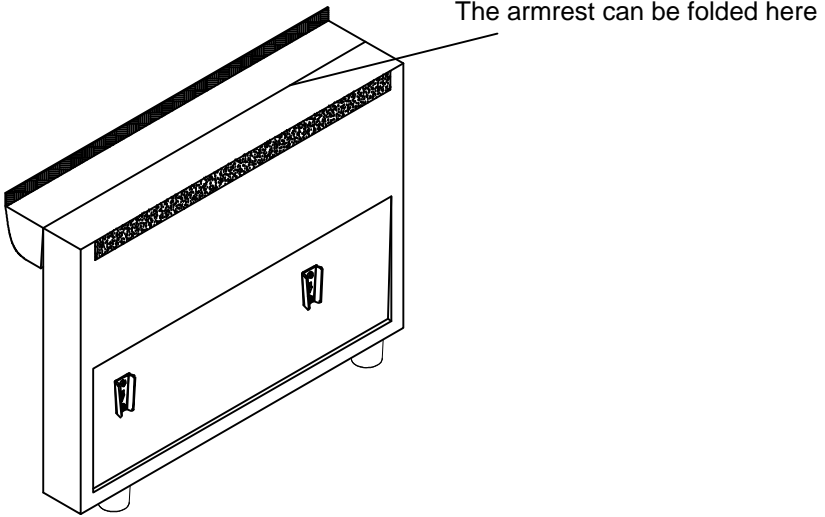
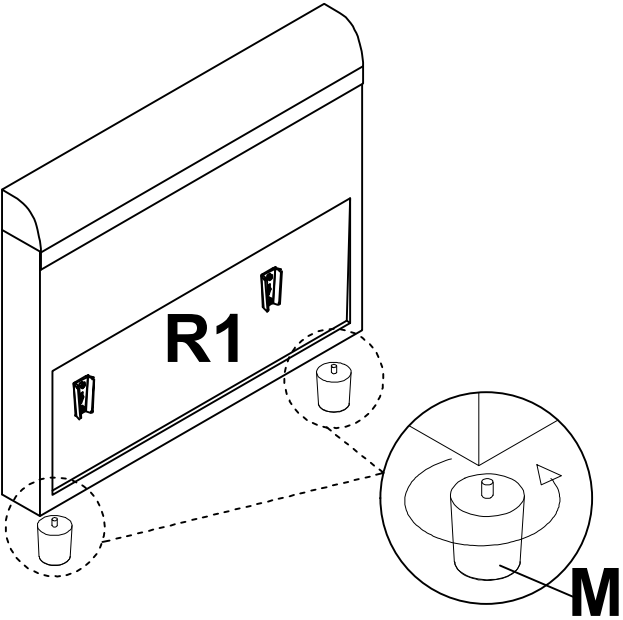
Main Structure Accessories

<p>F5 Arm Cushion</p>  <p>2pcs</p>	<p>R1 Left Armrest</p>  <p>1pc</p>	<p>R2 Right Armrest</p>  <p>1pc</p>
--	---	---

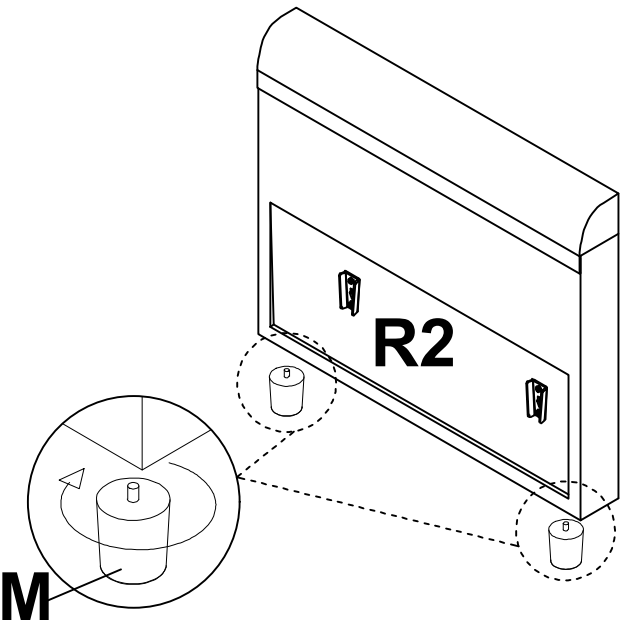
Structural Accessories

<p>M Sofa Feet</p>  <p>4pcs</p>	<p>N1 M8X45mm Bolt</p>  <p>2pcs</p>	<p>T M8X50mm Bolt</p>  <p>1pc</p>
--	--	--

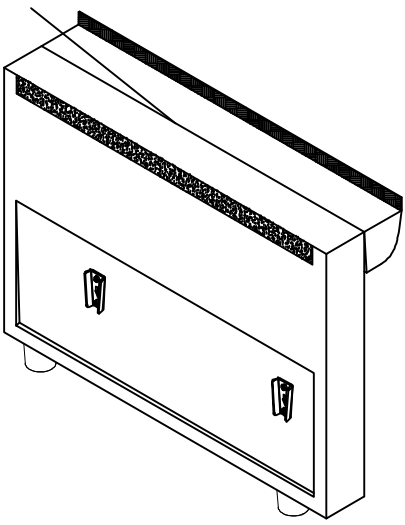
STEP 1



STEP 2

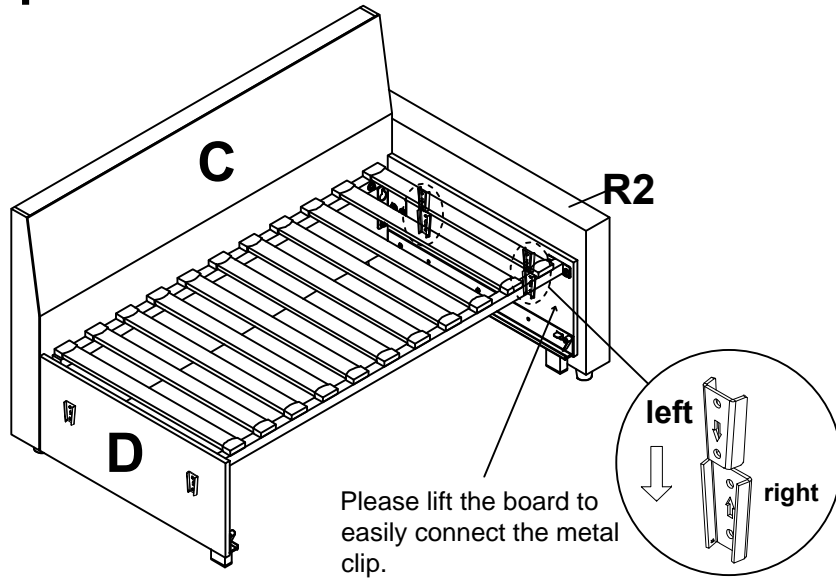


The armrest can be folded here



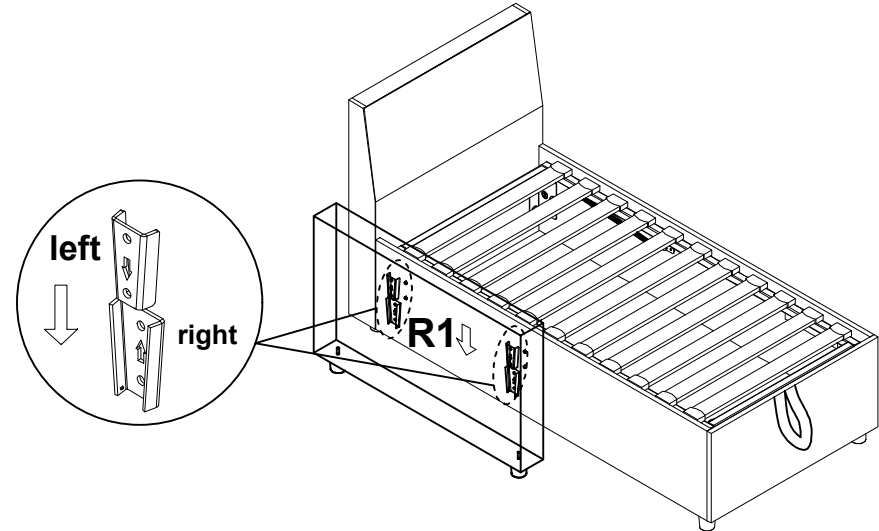
Plan A (When the CHAISE is on the left)

STEP 1

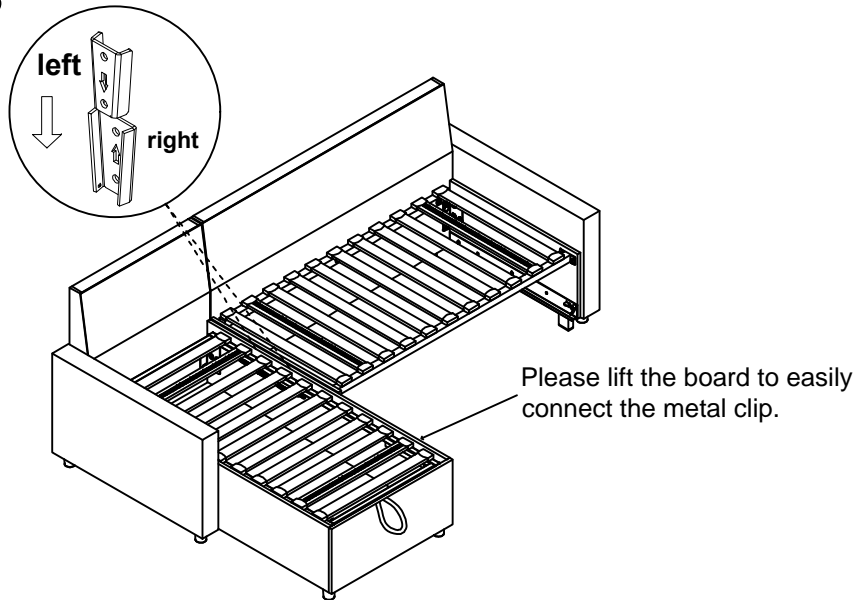


STEP 2

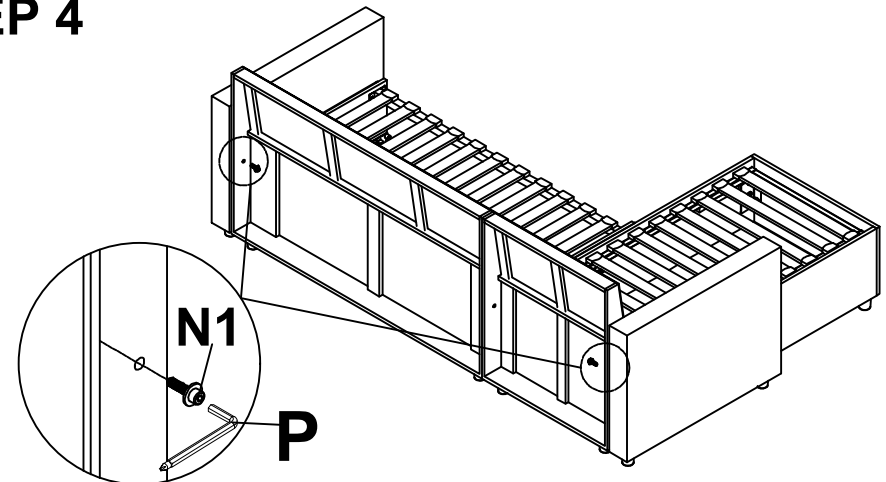
Please lift the board to easily connect the metal clip.





STEP 3

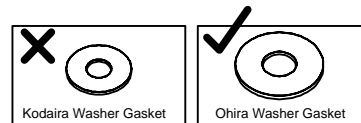


STEP 4



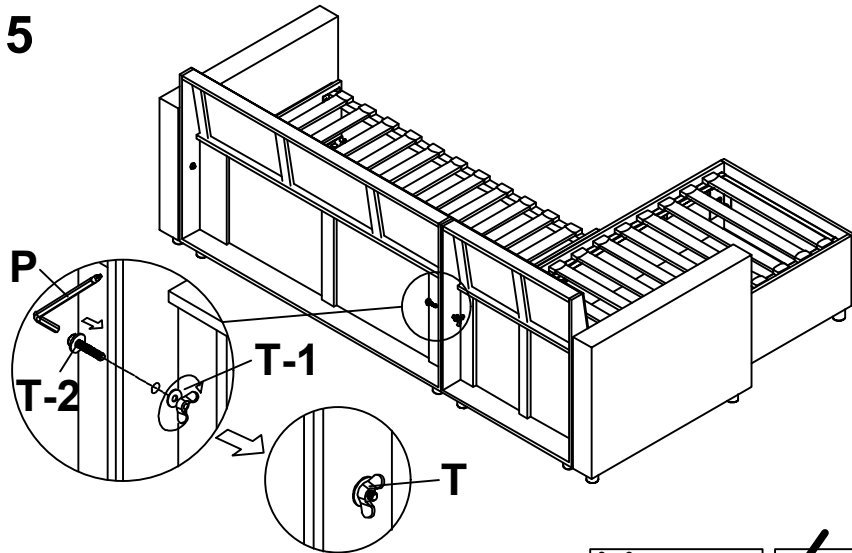
Secure with locking screws

	N1 x 2pcs
	P x 1pc



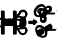

Plan A (When the CHAISE is on the left)

STEP 5

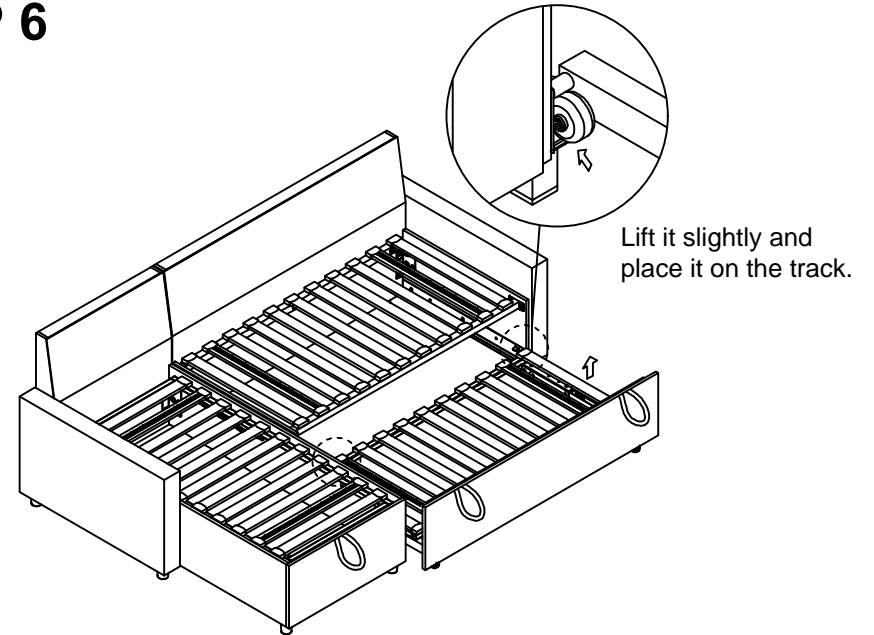


Screw through hole and tighten with butterfly nut.

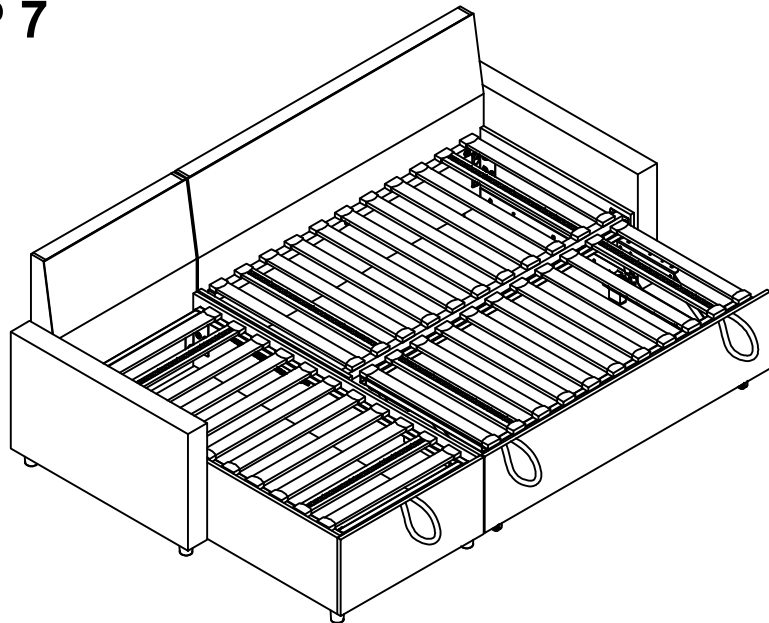


-  T x 1pc
-  P x 1pc

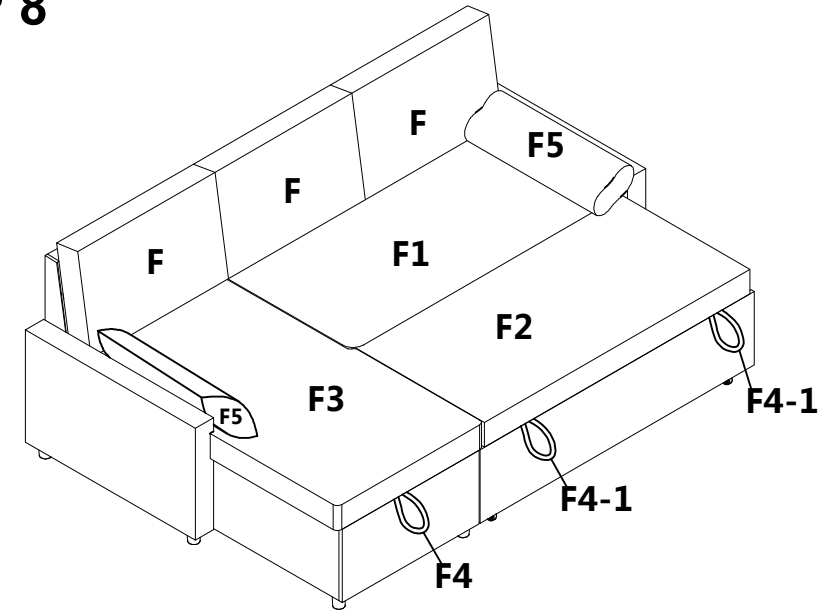
STEP 6



STEP 7

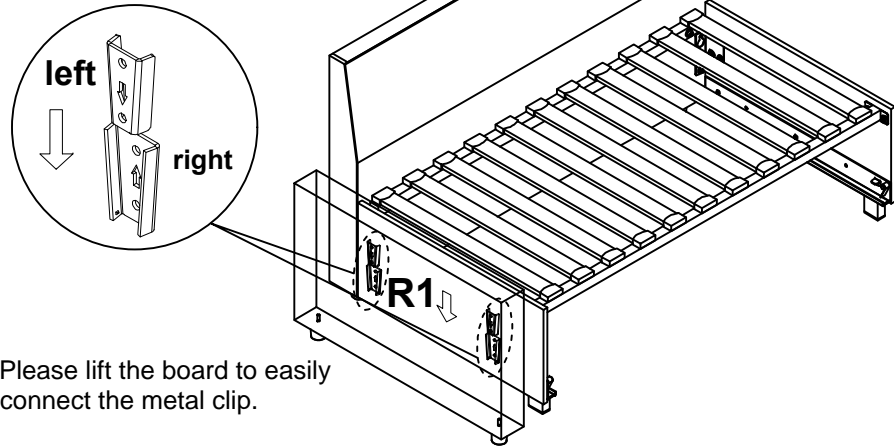


STEP 8



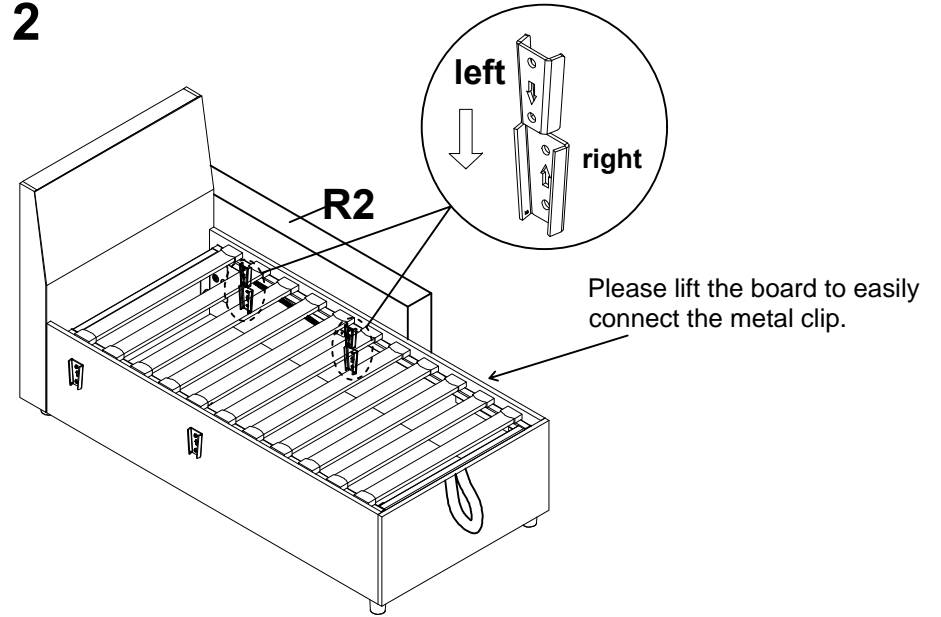
Plan B (When the CHAISE is on the right)

STEP 1



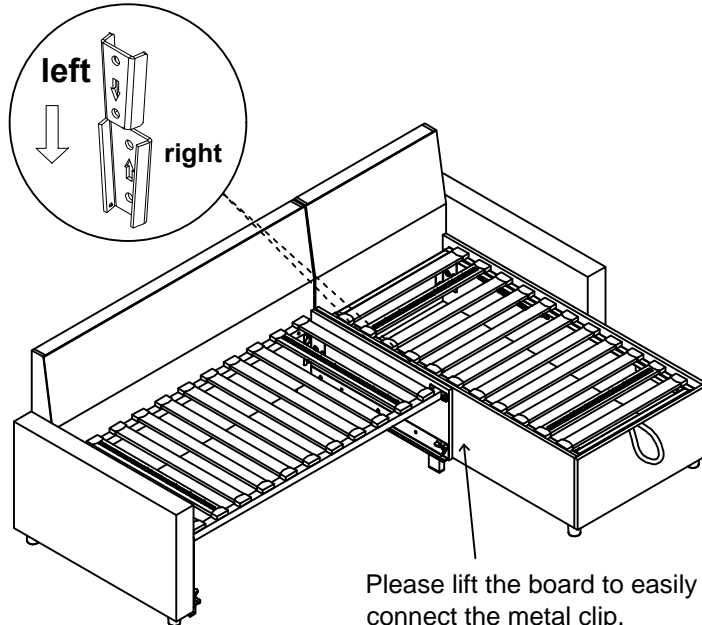
Please lift the board to easily connect the metal clip.

STEP 2



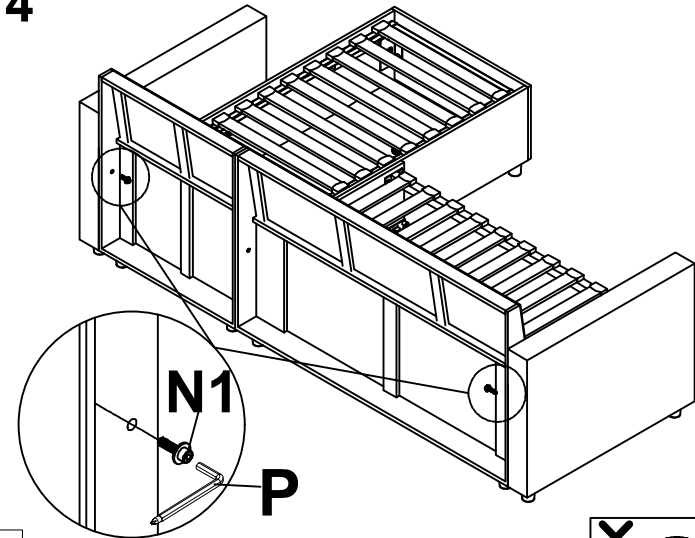
Please lift the board to easily connect the metal clip.

STEP 3

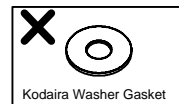
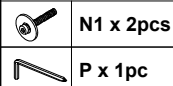


Please lift the board to easily connect the metal clip.

STEP 4

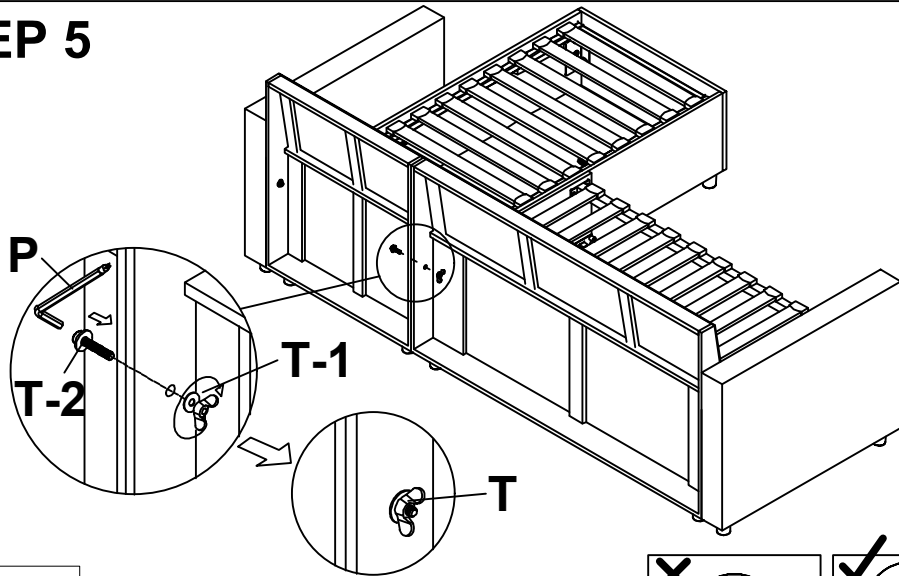


Secure with locking screws



Plan B (When the CHAISE is on the right)

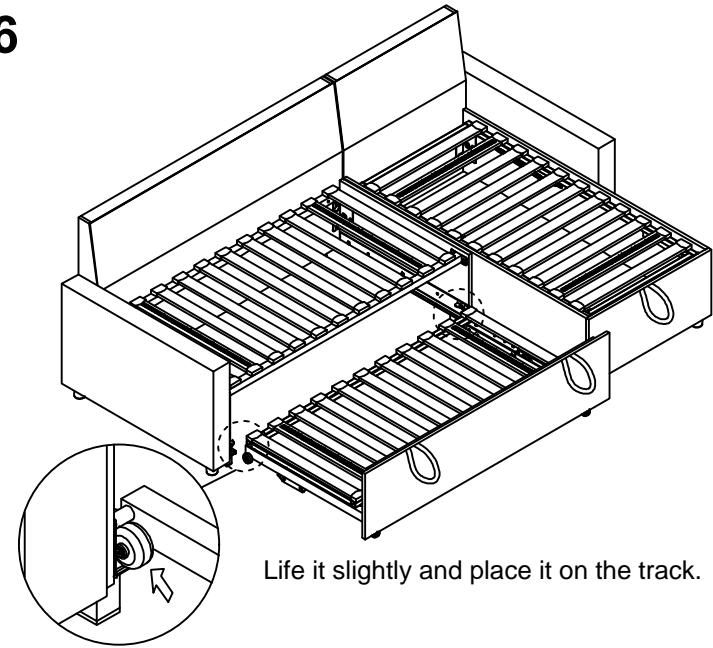
STEP 5



Screw through hole and tighten with butterfly nut.

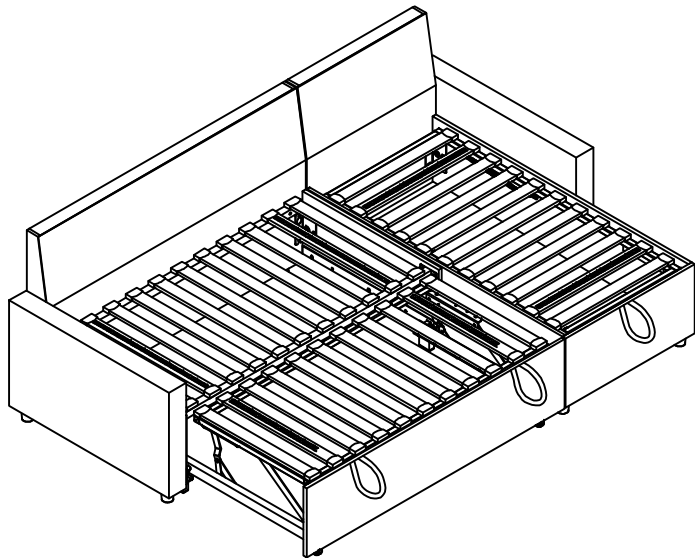


STEP 6

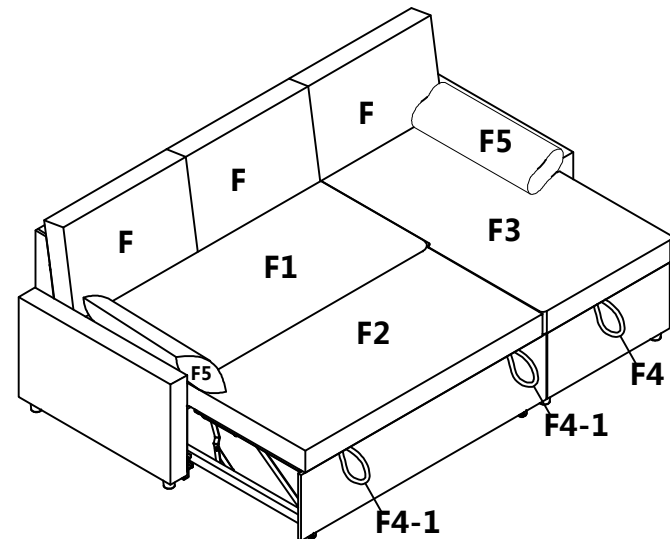


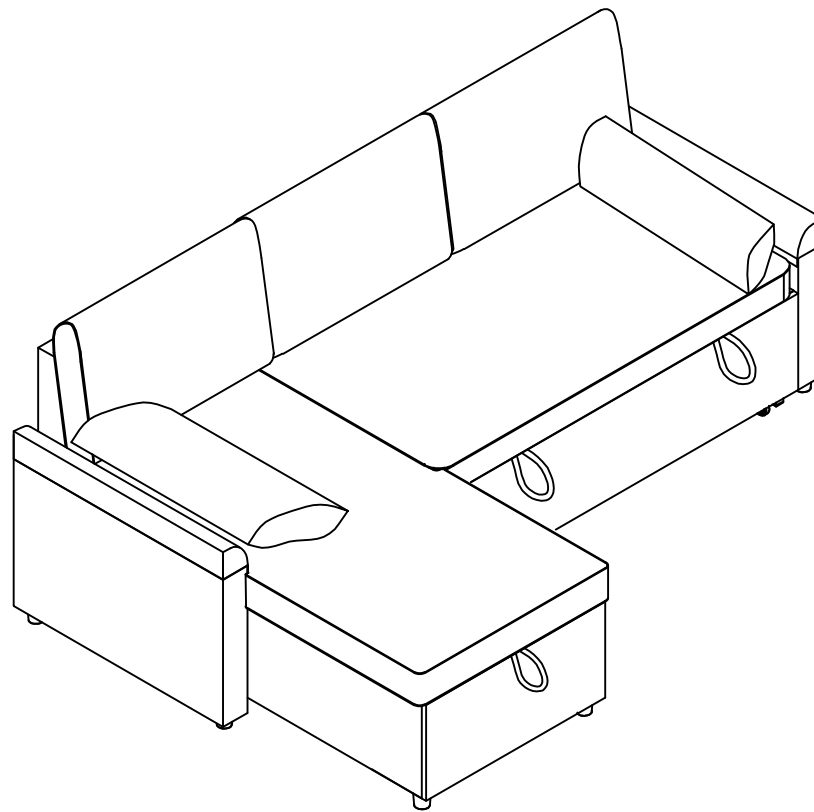
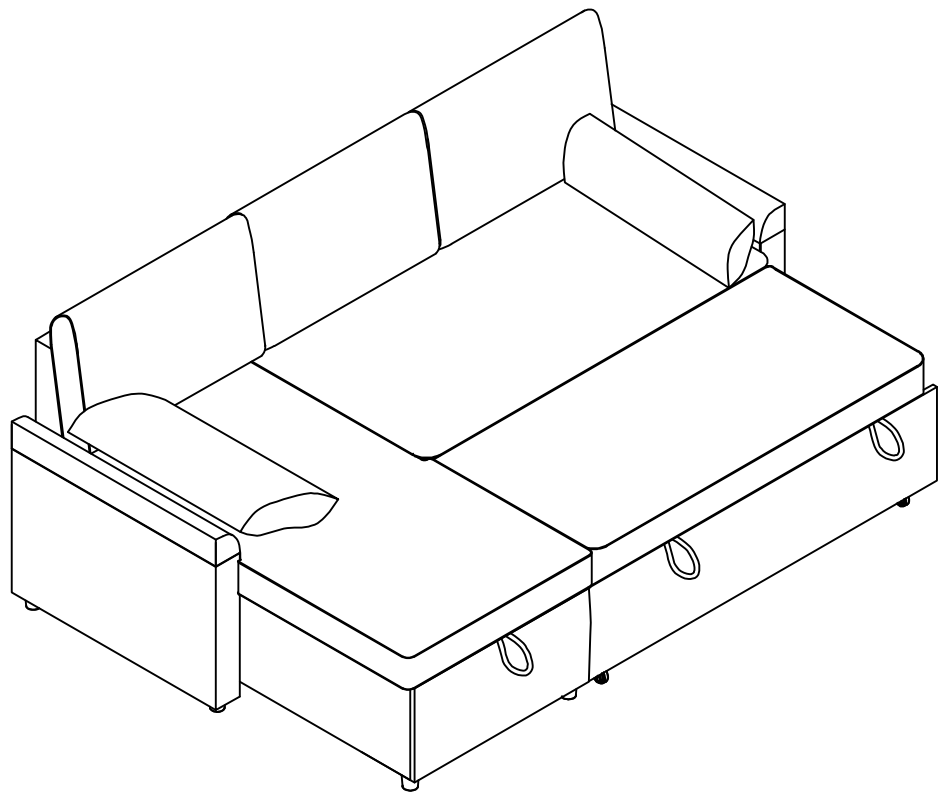
Life it slightly and place it on the track.

STEP 7



STEP 8





finished product display