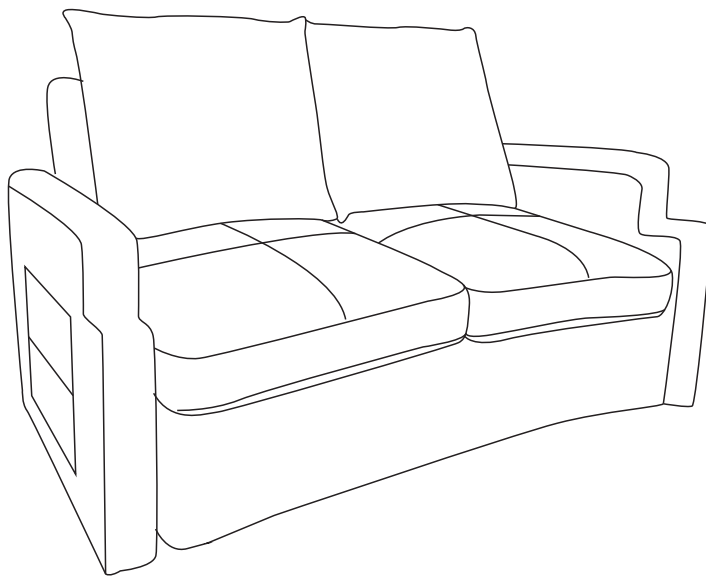
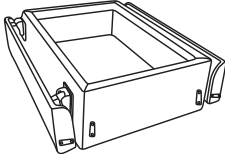
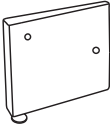

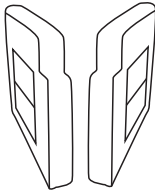
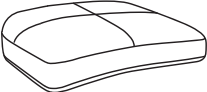
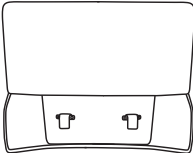
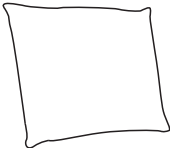


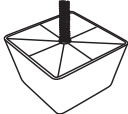


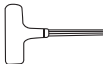
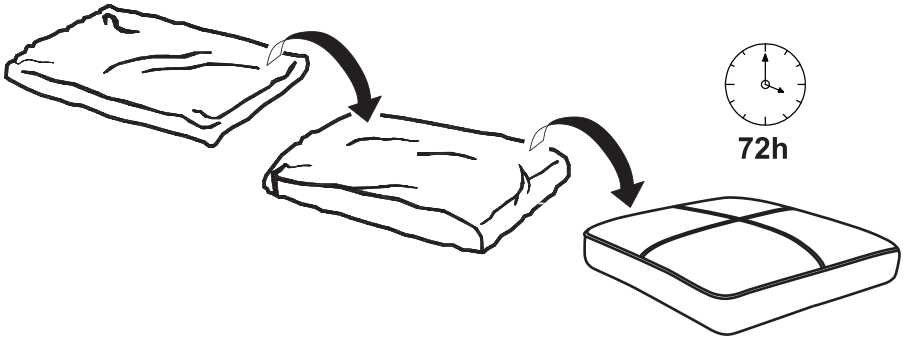
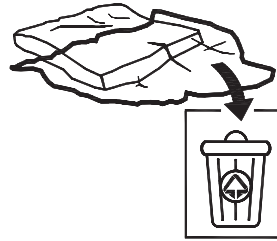
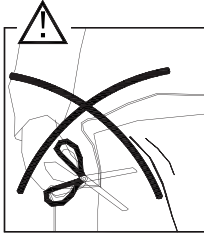
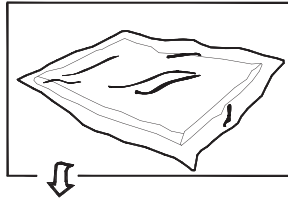


# INSTALLATION GUIDE



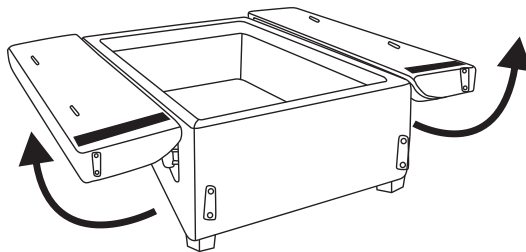
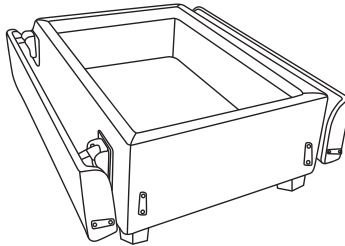
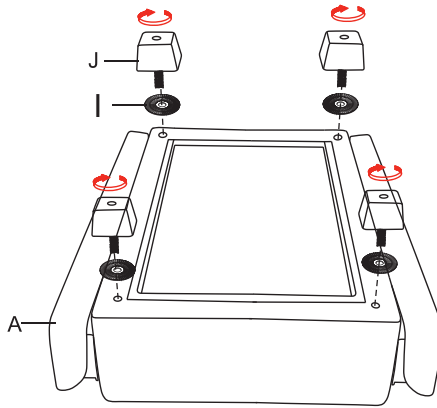
# PARTS LIST

<p>Ax1</p> 	<p>Bx2</p> 	<p>Cx1</p> 
<p>Dx2</p> 	<p>Ex2</p> 	<p>Fx1</p> 
<p>Gx2</p> 	<p>Hx2</p> 	<p>Ix4</p> 
<p>Jx4</p> 	<p>Kx16 M6x20mm</p> 	<p>Lx1 M6x60mm</p> 
<p>Mx1</p> 		



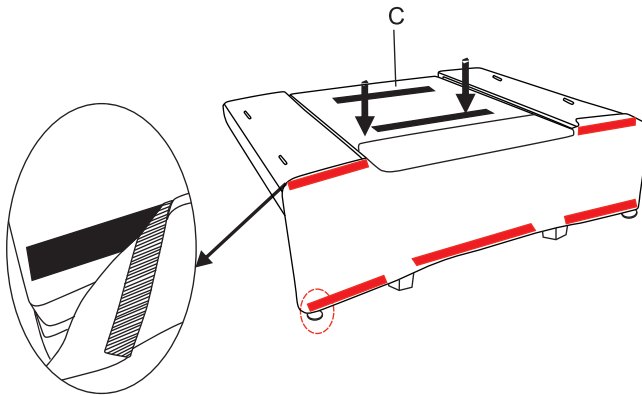
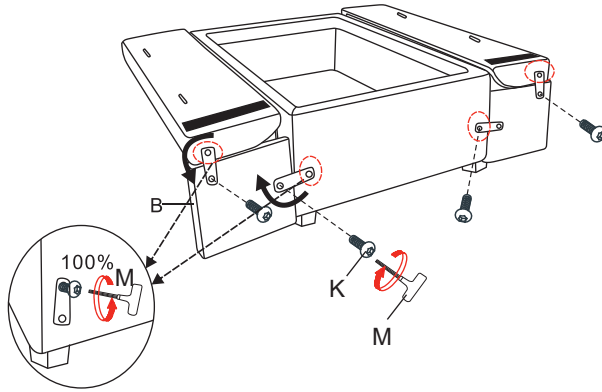
STEP 1

Turn over the sofa base and install the sofa feet (Part L) .  
Open the two extension seat panels outwards until you  
hear a sound indicating the panel is in the right position.

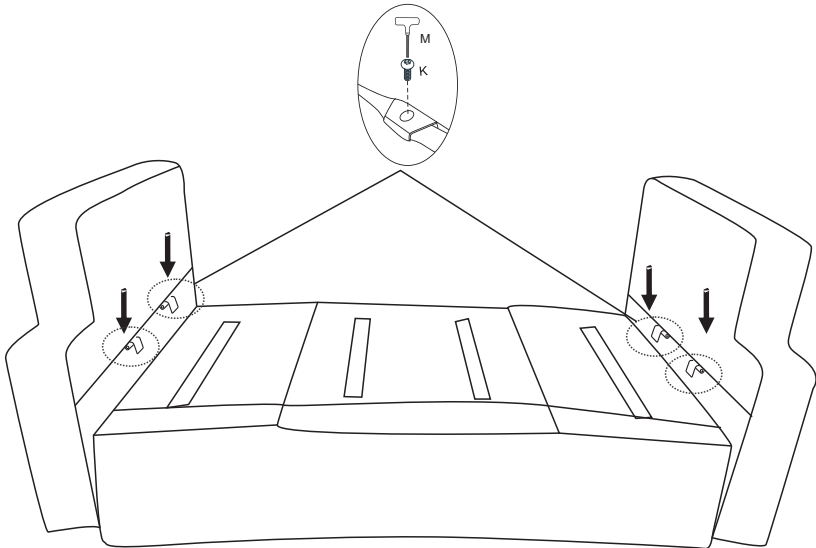
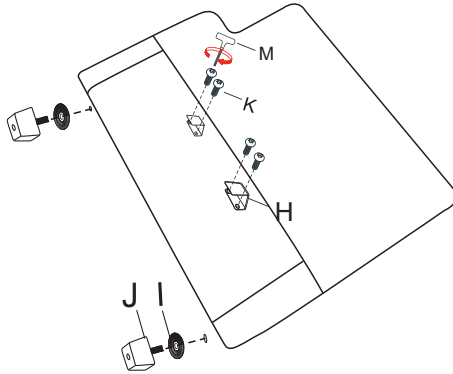


**STEP 2**

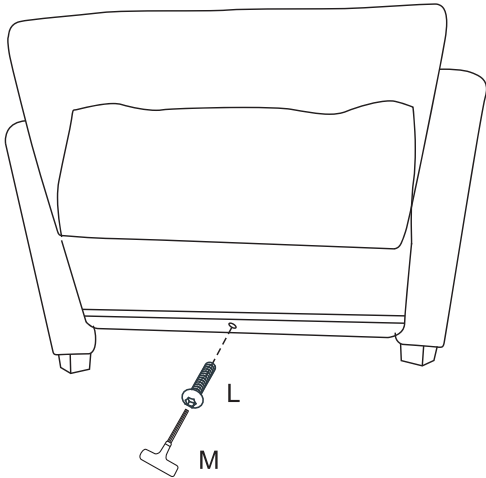
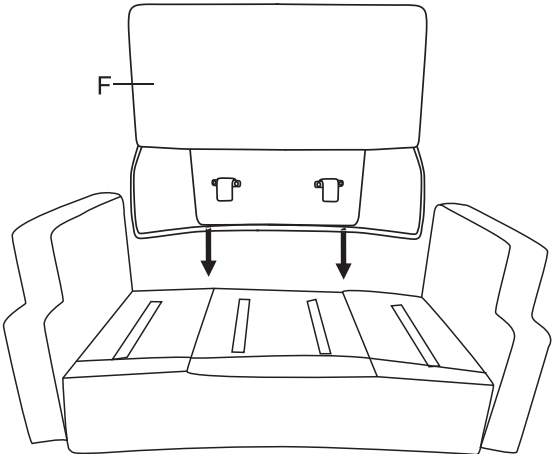
Connect the unfolding seatplate with front panel using Part B and Part L. Then take out the cover from the storage, stick it to the unfolding seat panel and attach the adjustable feet to Part B. Next, put the storage lid (Part C) on the top of the seat.



**STEP 3**    Insert the feet to the armrests and then insert the armrests into the sofa base.

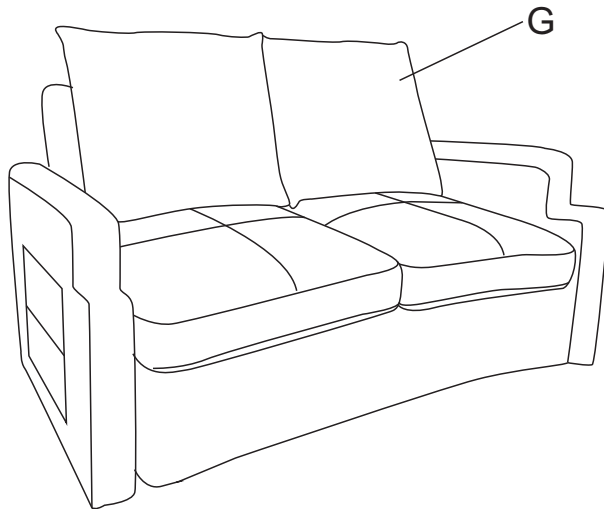
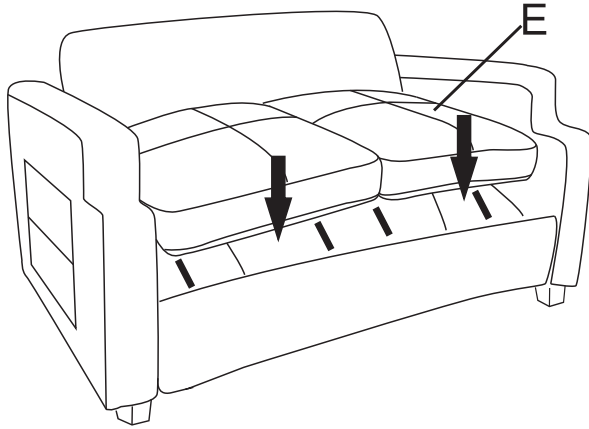


STEP 4      Insert the backrest (Part F) into the sofa base.

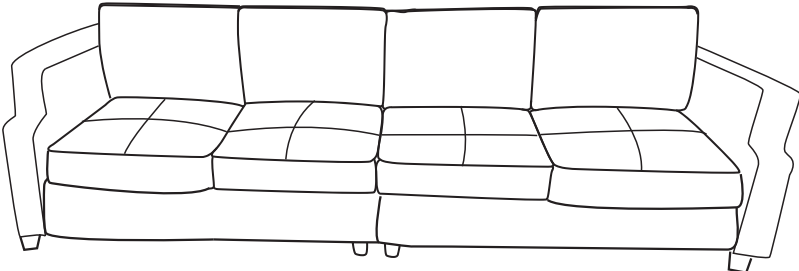


**STEP 5**

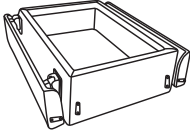
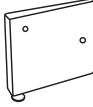

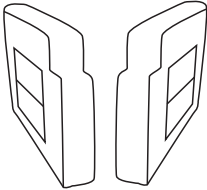

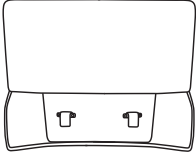
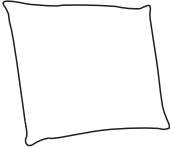


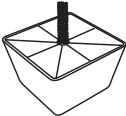


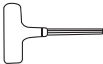
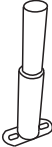

Put the seat cushion and pillows on the sofa.  
And congratulations that you have successfully finished the assembly.

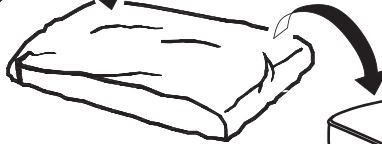
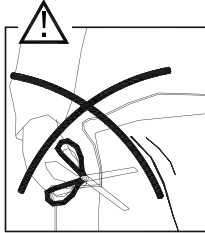
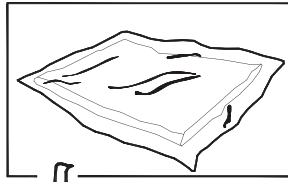


# INSTALLATION GUIDE



# PARTS LIST

<p>Ax2</p> 	<p>Bx4</p> 	<p>Cx2</p> 
<p>Dx2</p> 	<p>Ex4</p> 	<p>Fx2</p> 
<p>Gx4</p> 	<p>Hx4</p> 	<p>Ix12</p> 
<p>Jx12</p> 	<p>Kx16 M6x20mm</p> 	<p>Lx2 M6x60mm</p> 
<p>Mx1</p> 	<p>Nx1</p> 	<p>Ox2 M6x35mm</p> 

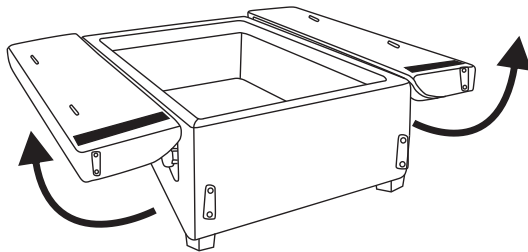
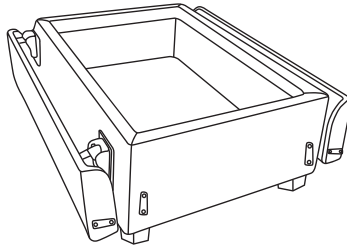
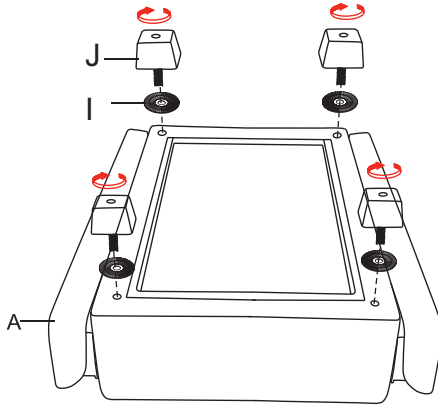


72h



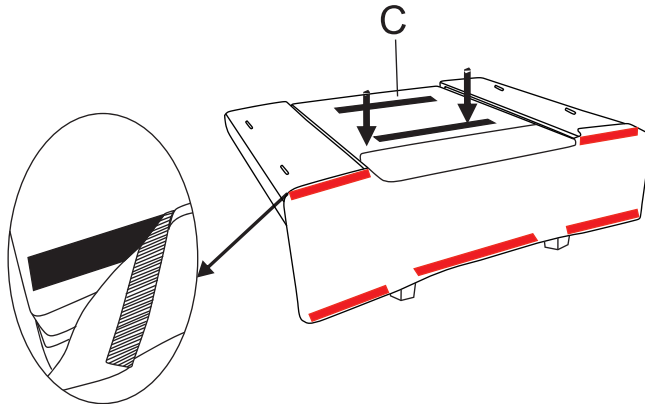
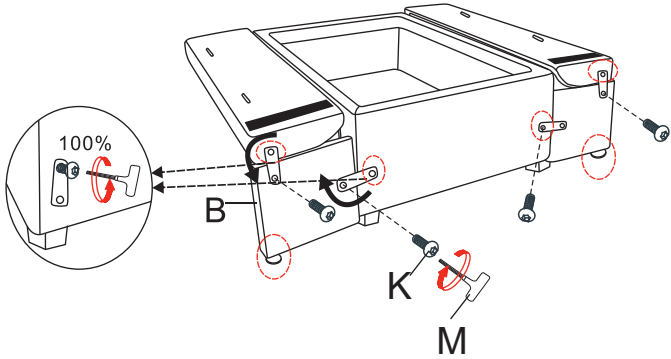
STEP 1

Turn over the sofa base and install the sofa feet (Part L) .  
Open the two extension seat panels outwards until you  
hear a sound indicating the panel is in the right position.

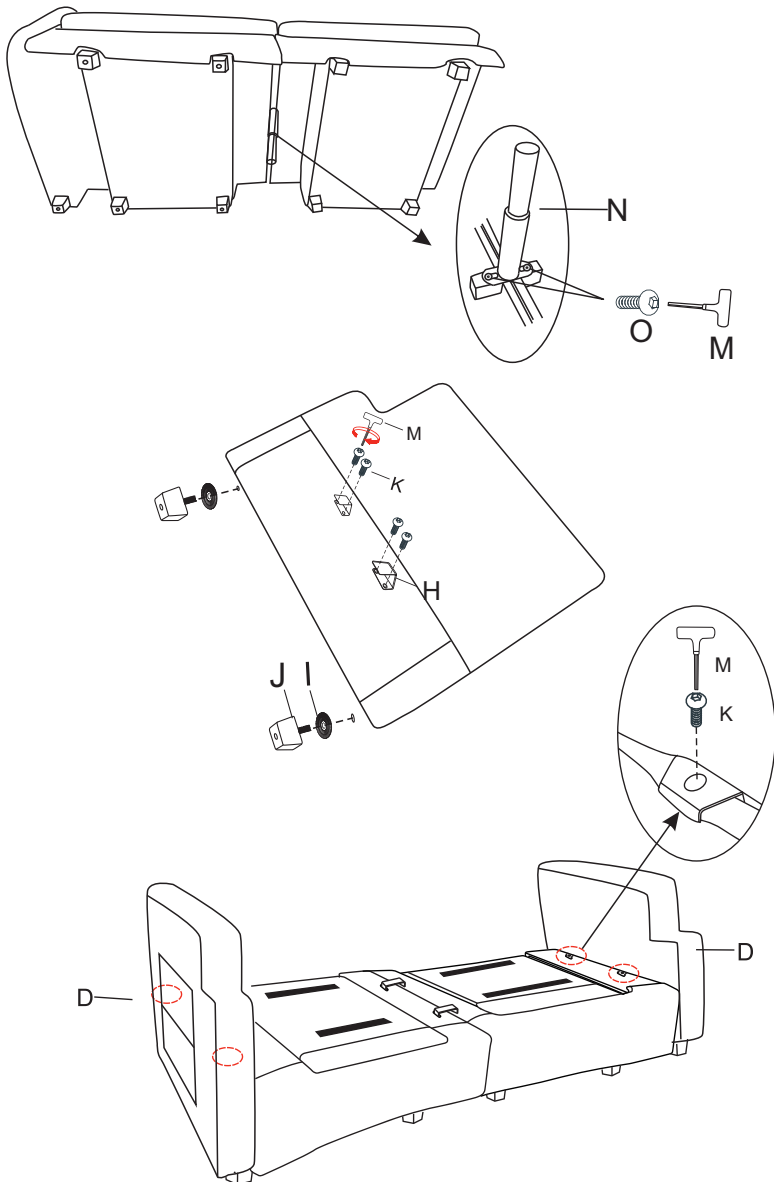


**STEP 2**

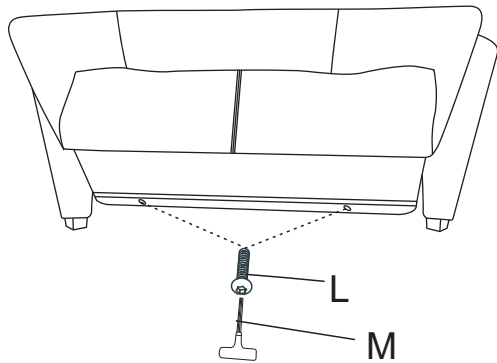
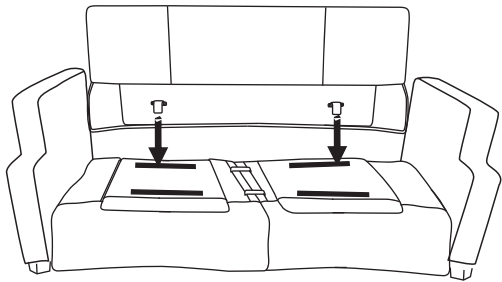
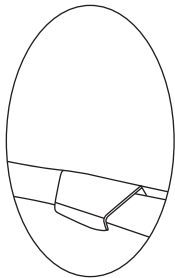
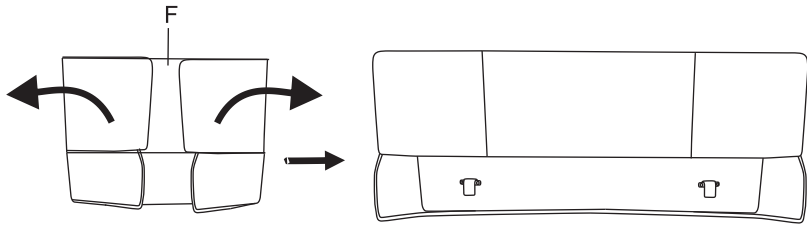
Connect the unfolding seatplate with front panel using Part B and Part L. Then take out the cover from the storage, stick it to the unfolding seat panel and attach the adjustable feet to Part B. Next, put the storage lid (Part C) on the top of the seat.



**STEP 3** Connect the two seats with the two iron blocks (Part I).  
Insert the feet (Part L) to the armrests and then insert the  
armrests into the sofa base.



STEP 4 Insert the backrest (Part F) into the sofa base with screw N.



STEP 5

Put the seat cushion and pillows on the sofa.  
And congratulations that you have successfully finished the assembly.

