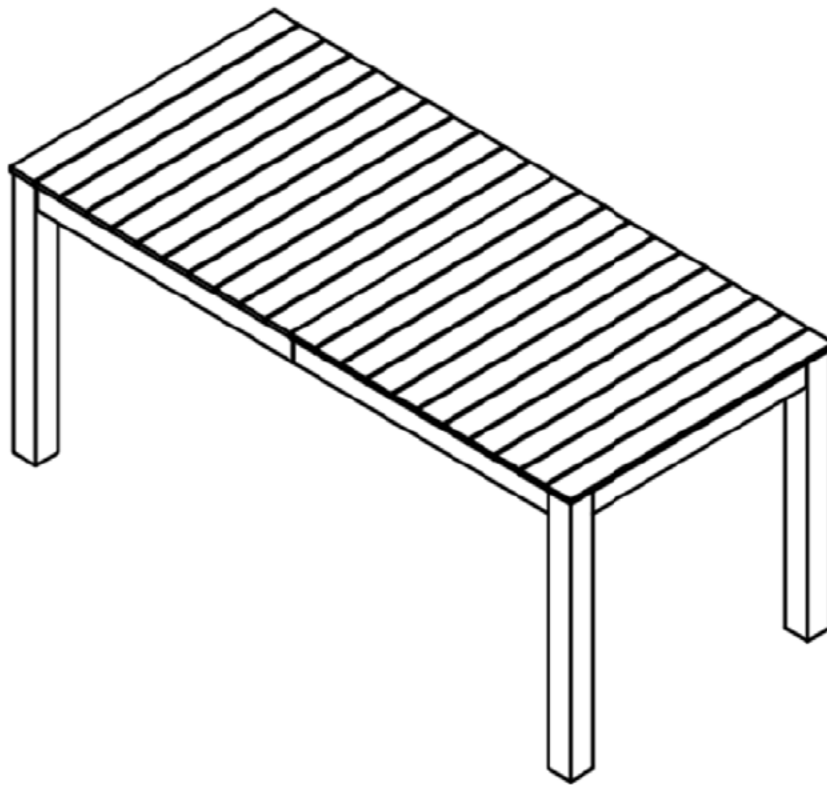


# Assembly Instructions

**Caution: You must read this before you proceed**

**Please look in the Legs for hardware packs**

## TABLE

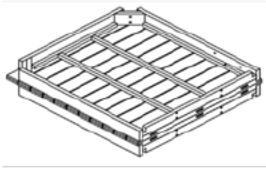

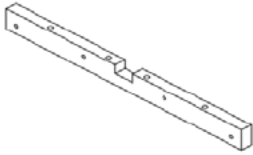


**Caution:** This Table is NOT a TOY.





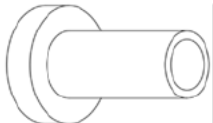

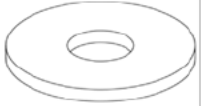

Keep your child/children at bay during the assembly process.

Whenever moving/lifting the Table and to prevent damage to the Table, two adults are required to execute these actions.

## Part List

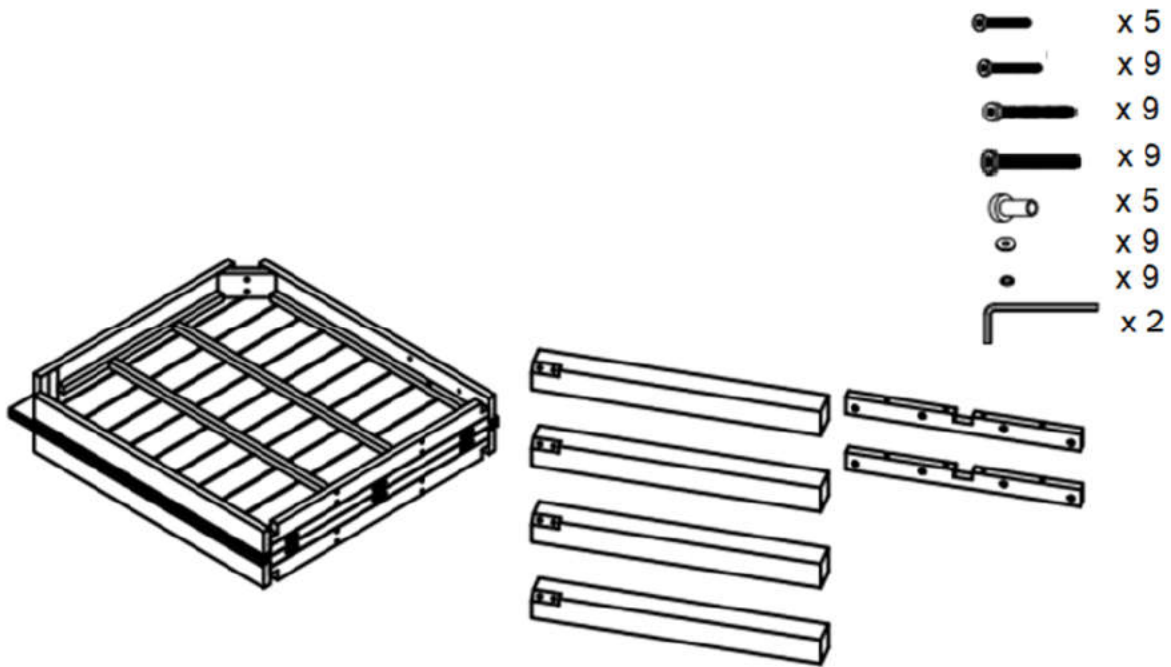
Label	Picture	Description	QTY
A		Foldable Table Top	1
B		Leg	4
C		Support Bar	2

## Hardware

Label	Picture	Description	QTY
①		Bolt (M6x30mm)	5
②		Bolt (M6x35mm)	9
③		Bolt (M6x60mm)	9
④		Bolt (M8x55mm)	9
⑤		Nut (M6x15)	5
⑥		Spring Washer (M8.5/10.5X2mm)	9
⑦		Flat Washer (M8.5/16x2mm)	9
⑧		Allen Key	2

# Assembly Preparation

Before Beginning Assembly:



- Read instructions, cover to cover-



- Have 2 adults on hand for assembly-



- Do not assemble on flooring or carpet-



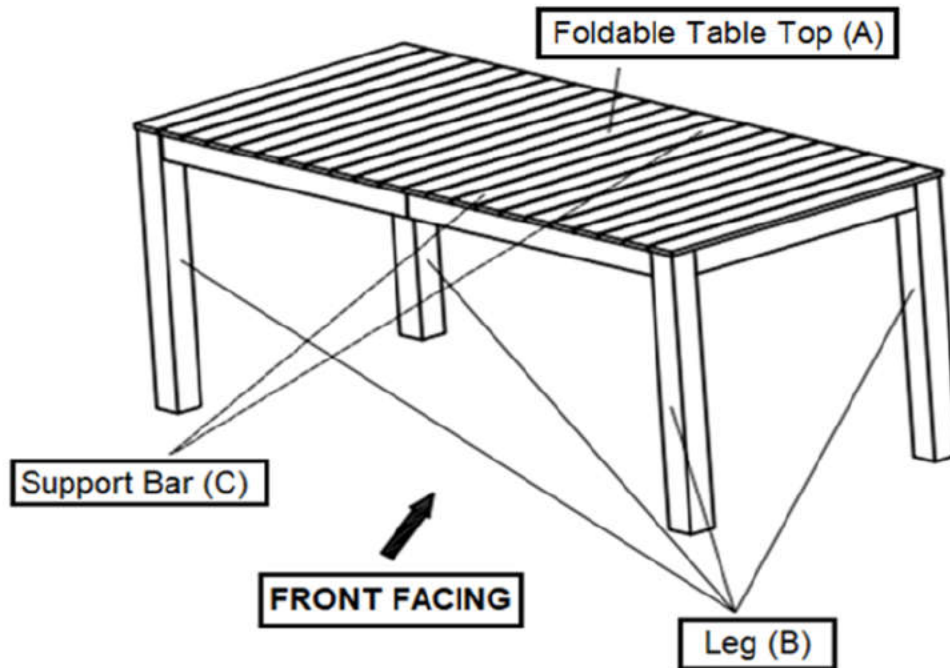
- Assemble on a clean non-marring surface (packing foam)-



- Save all packaging until finished-

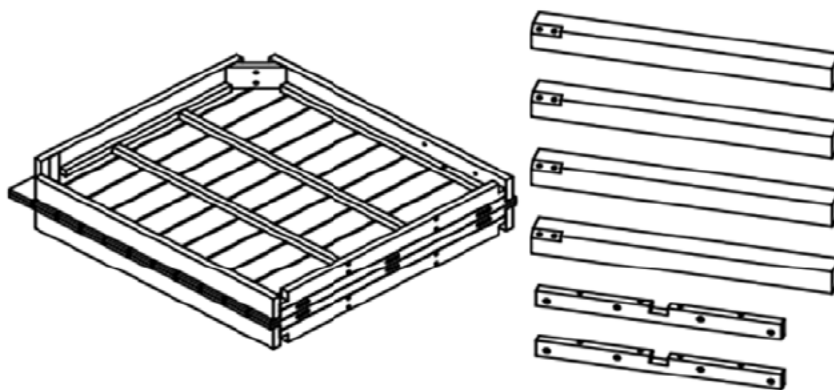
# Assembly Steps

## Overview



This Table has multiple parts and may require up to 30 minutes to assemble. To give you an overview of the Table parts, the above picture is to help you put the various parts into perspective. Please read through the instructions below to familiarise yourself with the parts and steps before assembly.

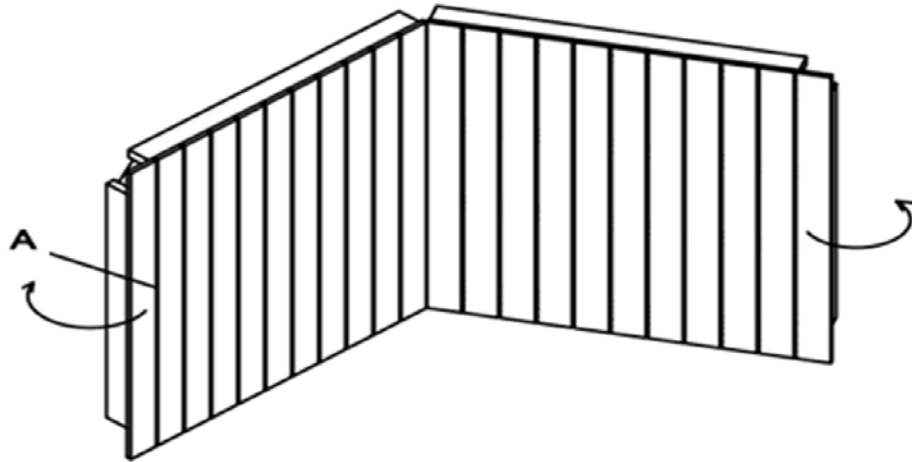
## Step 1



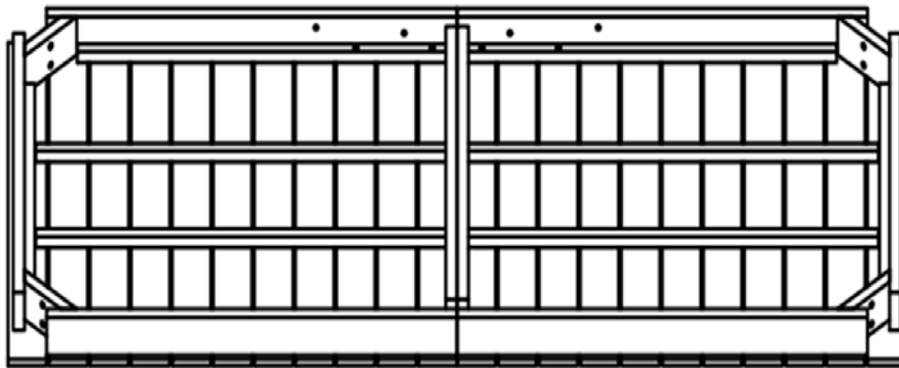
Unpack and place all parts on a clean, non-marring surface.

## Step 2

2.1



2.2

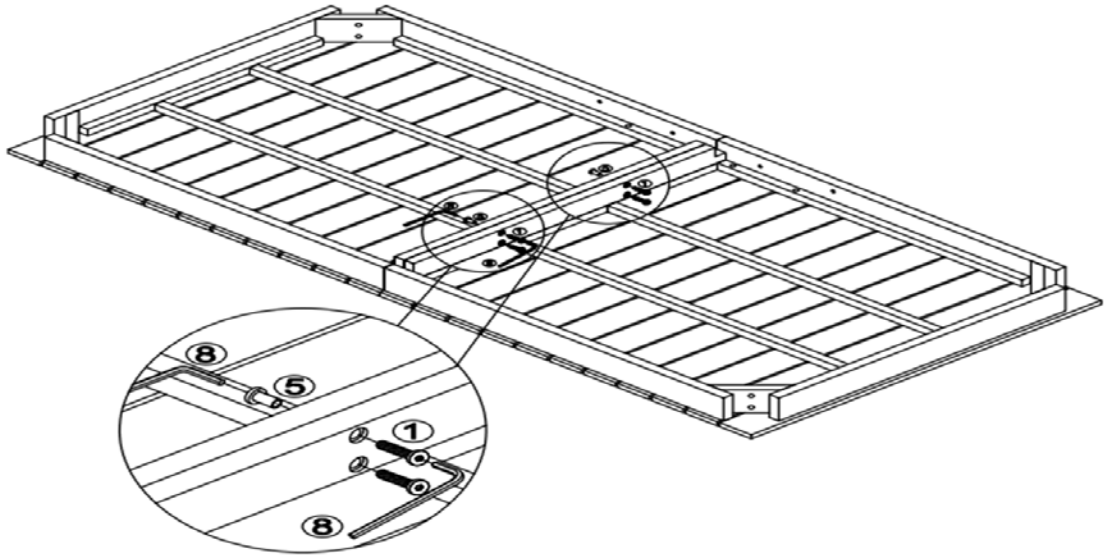


2.1) Place the Foldable Table top (A) on one side as picture above. Slightly open the table top as the arrows indicate.

2.2) With the help from your adult partner, place the Foldable Table top (A) facedown on a clean, soft surface to avoid scratches or damages to the product.

**Caution: Please do not put your hands between the gap to avoid injury.**

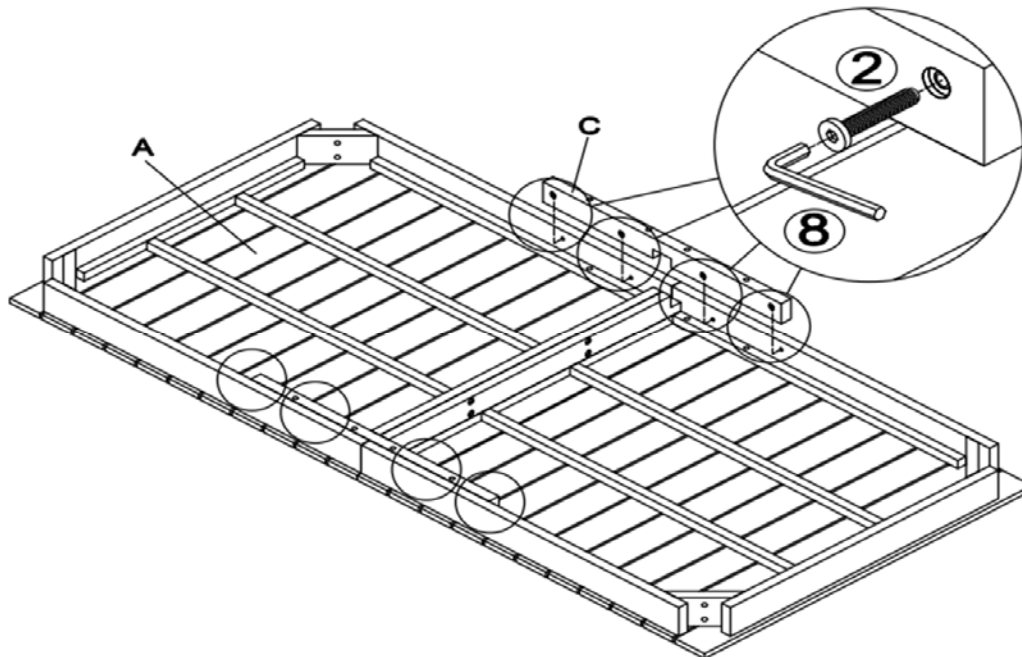
### Step 3



Affix the two parts of the Foldable Table Top (A) together using Bolts (①), Nuts (⑤) and Allen Key (⑧) as show in the above picture.

**Do not fully tighten the Bolts**

### Step 4

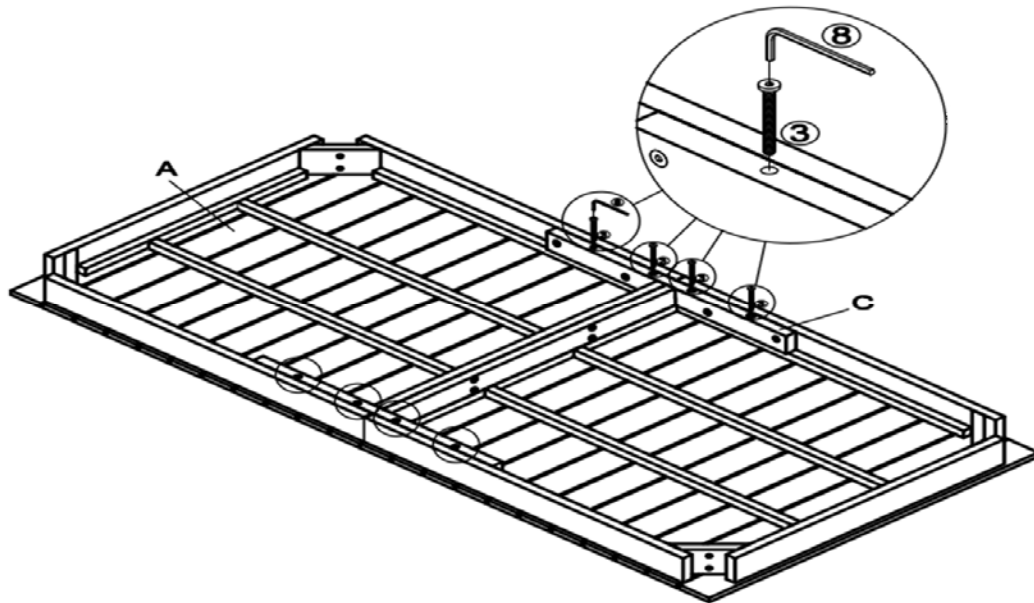


Place the Support Bar (C) into the housings of Foldable Table Top (A), then secure it horizontally using Bolts(②) and Allen Key(⑧) as shown in the above picture

Repeat the same process with the other Support Bar (C).

**Do not fully tighten the Bolts.**

## Step 5

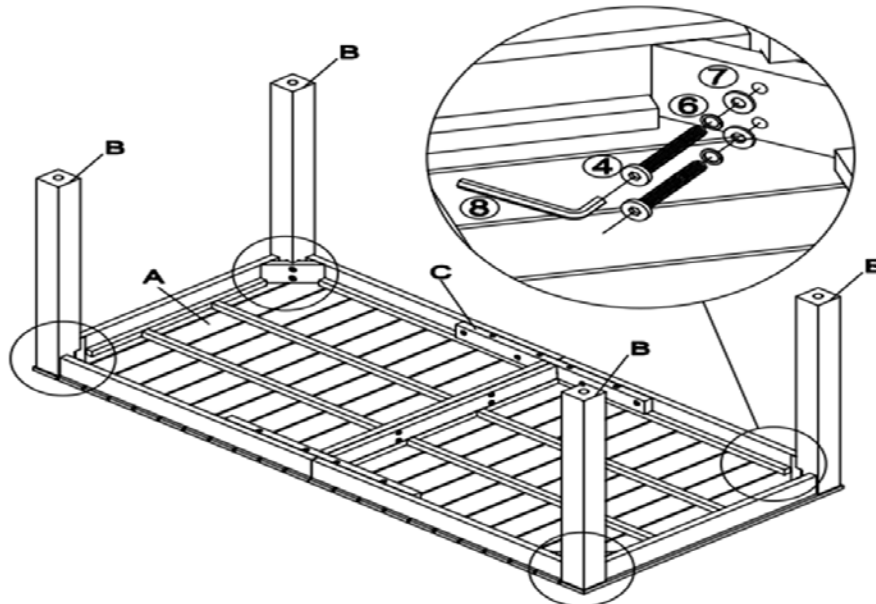


Loosely affix it vertically, using Bolts(③) with Allen Key(⑧), as shown in the picture

Repeat the same process with the other Support Bar (C).

**Only loosely tighten the Bolts.**

## Step 6

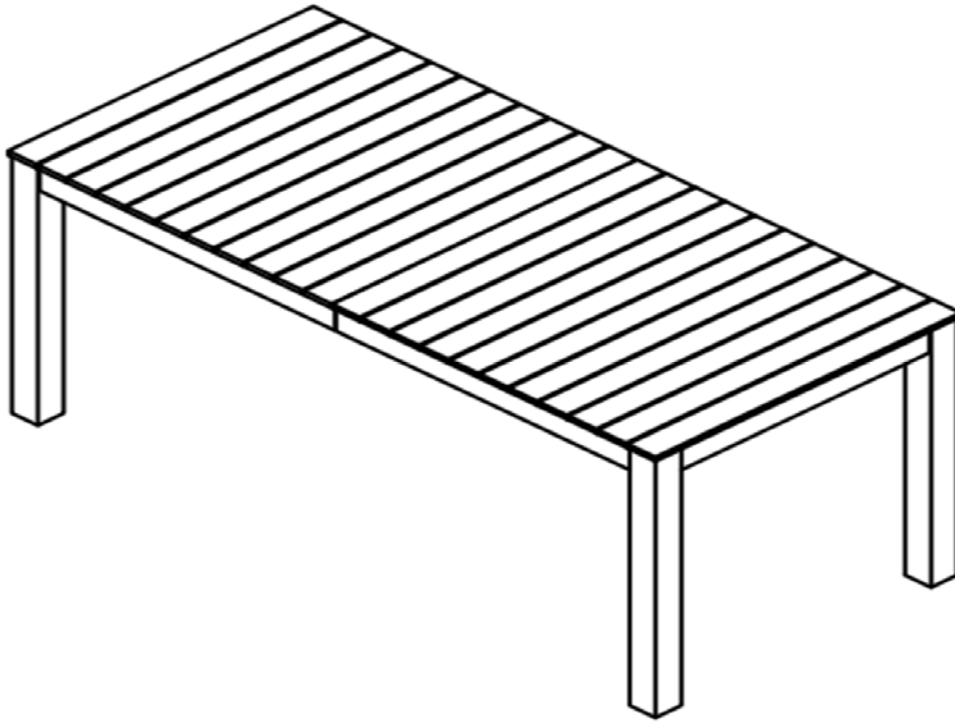


Attach the Leg (B) into the mounting position at the corner of the Foldable Table Top (A), using the Bolts(④), Spring Washers (⑥), Flat Washers (⑦) with Allen Key (⑧).

Repeat the same process with the other Legs (B).

**Do not fully tighten the Bolts**

## Step 7



With assistance from your adult partners, turn the Table right side up  
Inspect it and make sure all parts are adequately connected.,  
Check to ensure there is NO WOBBLENESS.  
In a sequential manner, ensure all bolts are fully locked into position and  
secured.

**CAUTION: When tightening these bolts, tighten sequentially.**

**DO NOT tighten any bolts fully and then towards the next one. This would  
cause the frame to warp.**



















**If there are wobbles after tightening, loosen the bolts and proceed to  
tighten again sequentially.**

**WARNING!! IF TABLE IS NOT STABLE, IT COULD LEAD TO DAMAGING THE  
PRODUCT.**

The Table is ready for use.

**This Table can only be used on a flat, level surface.**

## Care & Maintenance

-   ● Do not put hot items directly on furniture surface
  -   ● Do not clean furniture with harsh cleansers or polish.
  -   ● To obtain the longest lifespan of your outdoor products, minimizing exposure to direct sunlight is recommended.
  -   ● Children should not climb or jump on the furniture.
  -   ● Do not write on furniture without a padded barrier to protect the surface.
  -   ● To obtain the longest lifespan of your outdoor products, avoid extended and lengthy exposure to rain, snow, and direct sunshine. Whenever possible cover the product and /or place under patio or awnings.
  -   ● Not for commercial use. For residential use only .
  -   ● Stains may be removed with mild soap solution and damp cloth.
- 
-   ● Dust and pick-up spills using a clean, non-colored, lint-free cloth .