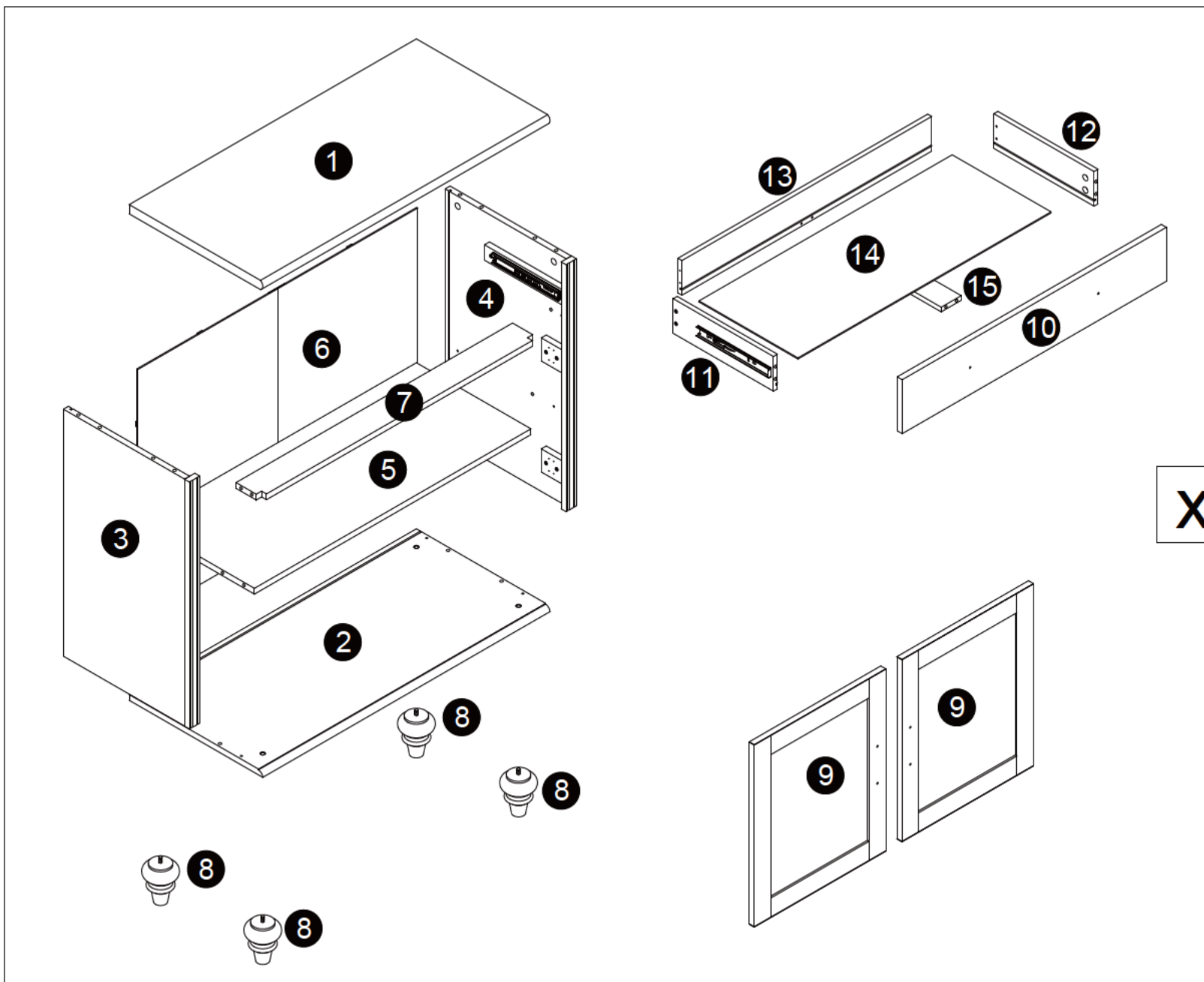
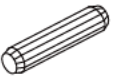







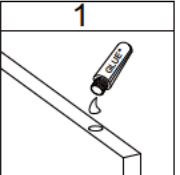
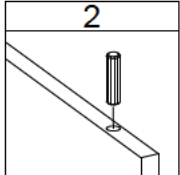
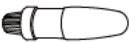




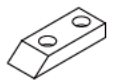


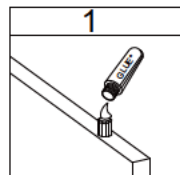
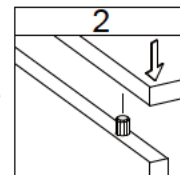








Assembly Instructions

WHAT'S
IN THE BOX



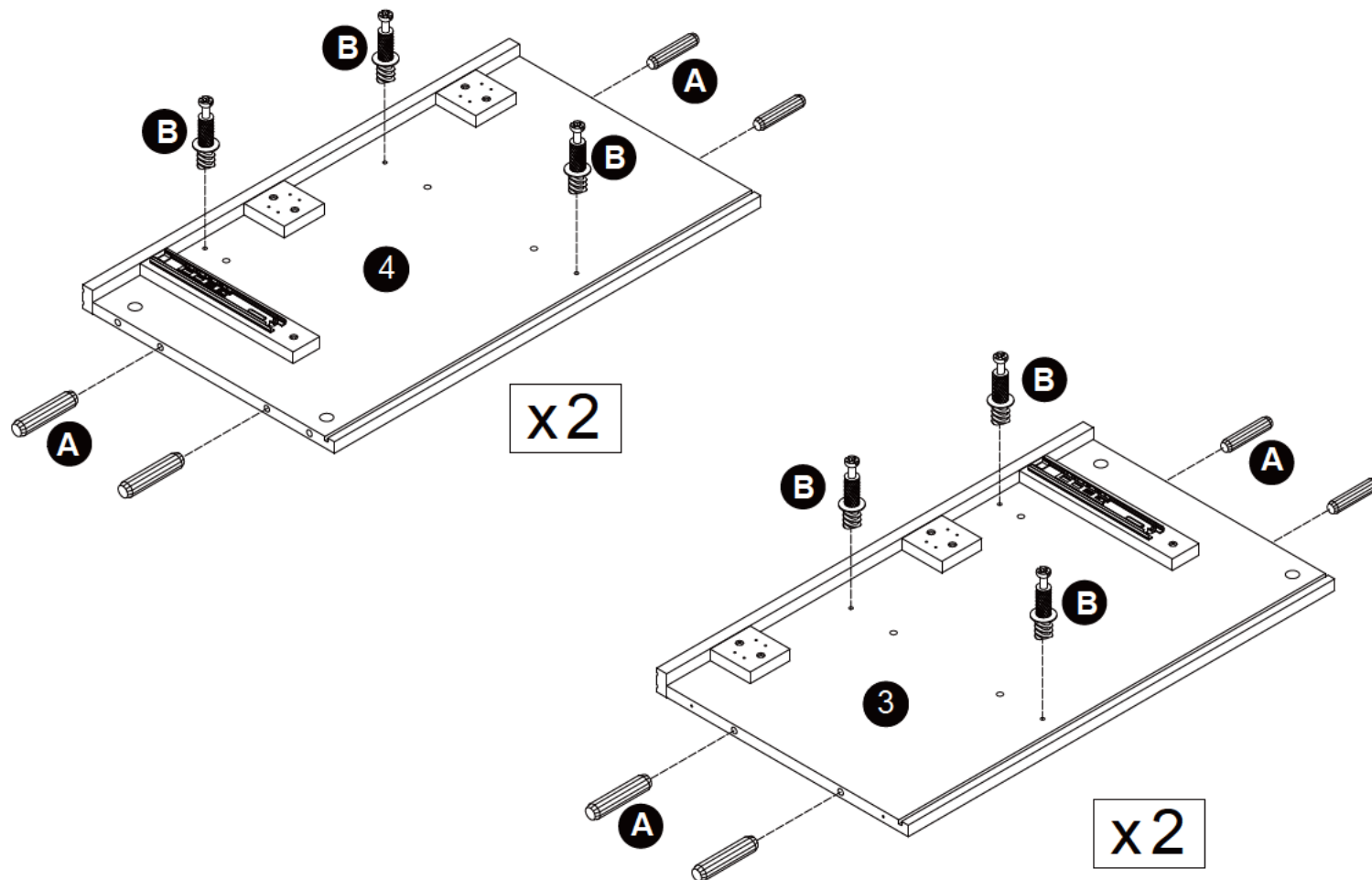
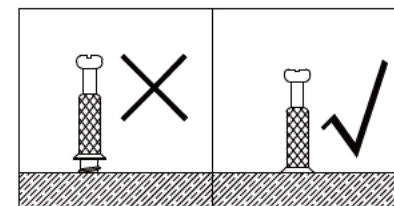
WHAT'S IN THE BOX

 Wooden dowel Ø8x30mm A x 28	 Cam bolt Ø6x35mm B x 36	 Cam lock Ø15x9mm C x 36	 Sticker D x 44	<ul style="list-style-type: none"> The provided glue(I) is to secure <p>When first inserting dowels, locate the wood dowels(A) in place .</p> <p>appropriate hole for the dowel , place a small amount of glue in the hole and insert the dowel .</p> <p>Wipe away excess glue immediately.</p>
 Screw Ø4x30 E x 8	 Screw Ø4x40 F x 8	 Plastic wedge G x 16	 Flat-head screw Ø3x17mm H x 16	 
 Glue tube I x 1	 Handle J x 4	 Footpads K x 8	 Handle bolt Ø5/32*21mm L x 12	<ul style="list-style-type: none"> In future assembly steps when dowels are necessary to attach assembly parts together, place a small amount of glue on the end of the dowel before attaching parts together. <p>Wipe away excess glue immediately.</p>
 Handle M x 4	 Door stopper N x 2	 Screw Ø3*14 O x 4	 Europe hinge P x 8	  <p>Philips head screwdriver required for assembly (not included)</p> 
 Screw Ø3.5*14 Q x 48	 Screw Ø4*12 R x 2	 Screw Ø4*25 S x 2	 Plastic strap T x 2	 Nut U x 2

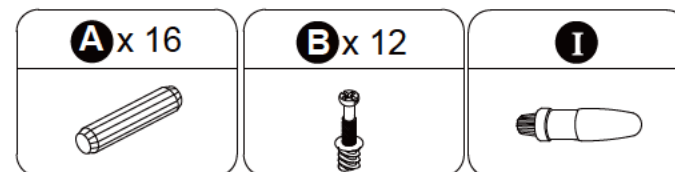
1

INSTALLATION STEPS

- Unpack the unit and confirm that you have all the hardware and required parts.
Assemble the unit on a carpeted floor or the empty carton to avoid any scratches.

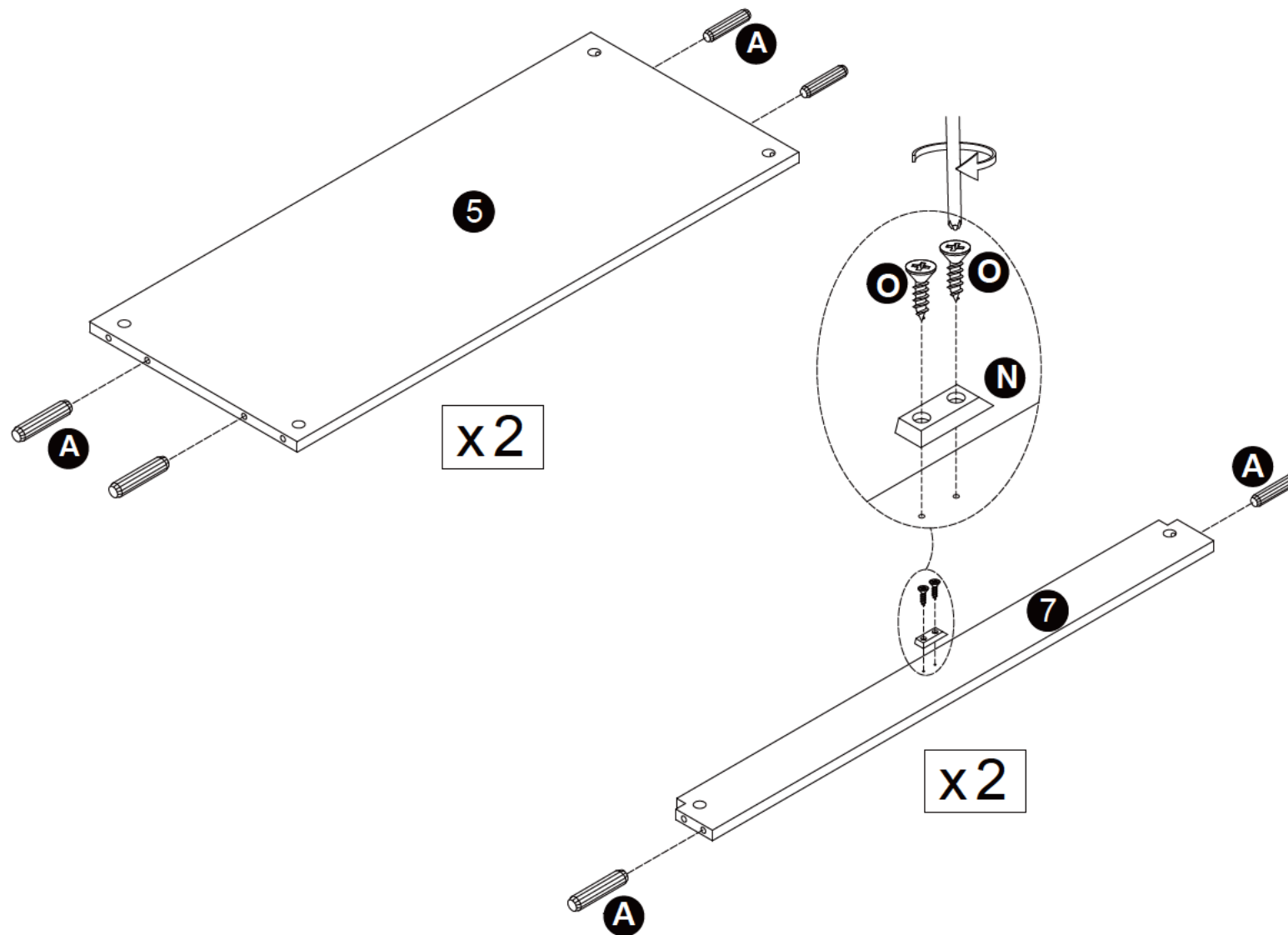


- Screw cam bolts (B) into panels (3,4).
- Insert dowels (A) into panels (3,4).



2

INSTALLATION STEPS

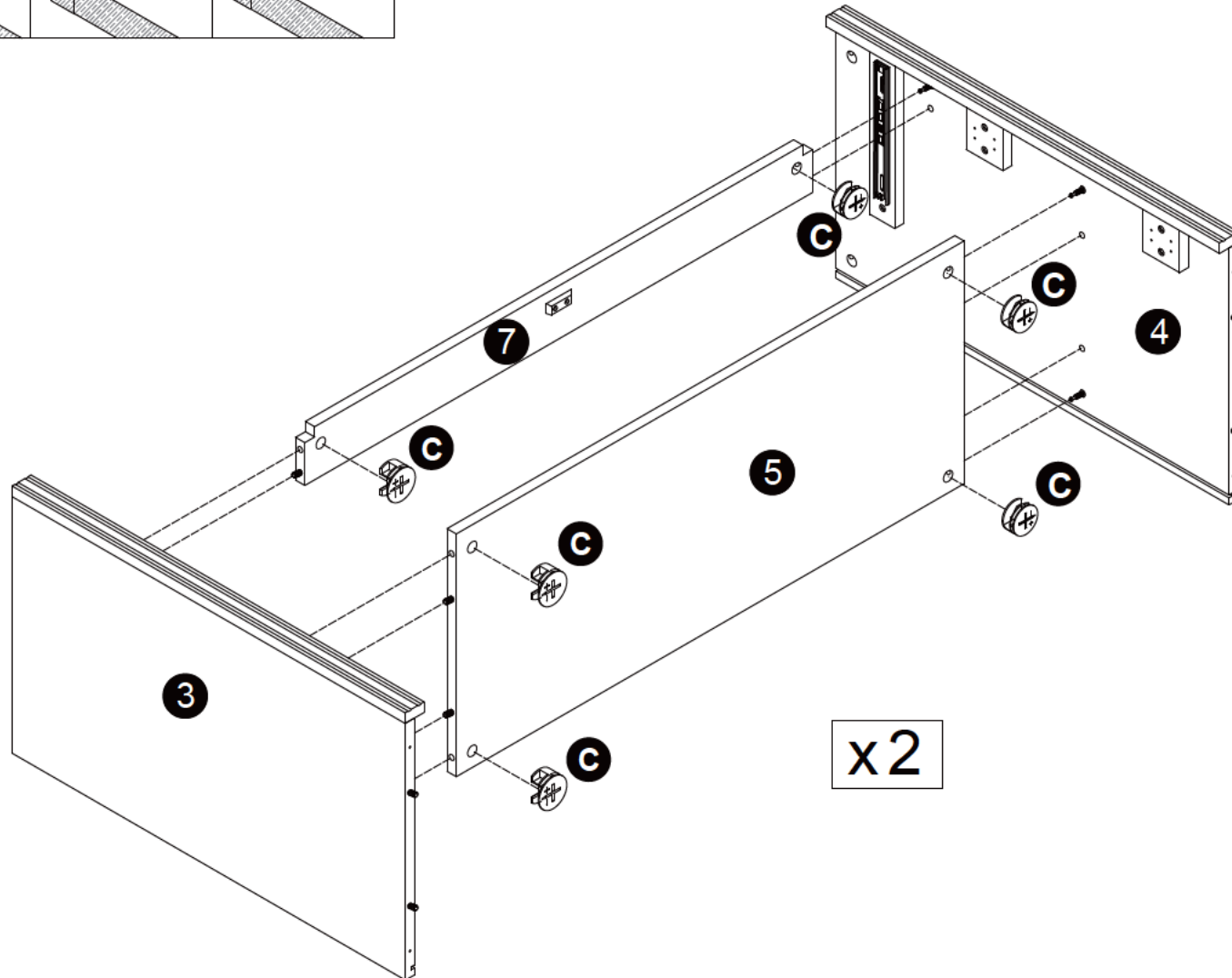
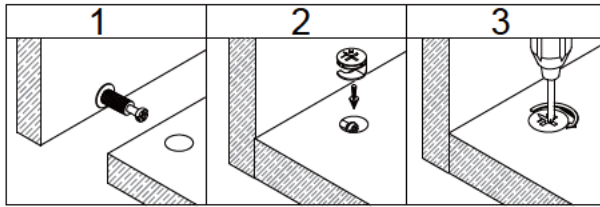


- Insert dowels (A) into panels (5,7).
- Attach part (N) to panel (7) with screws (O).

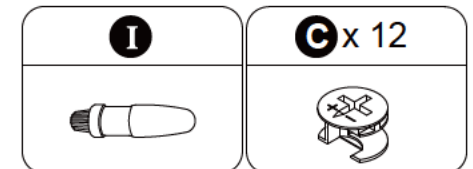
A x 12	N x 2	O x 4	I

3

INSTALLATION STEPS

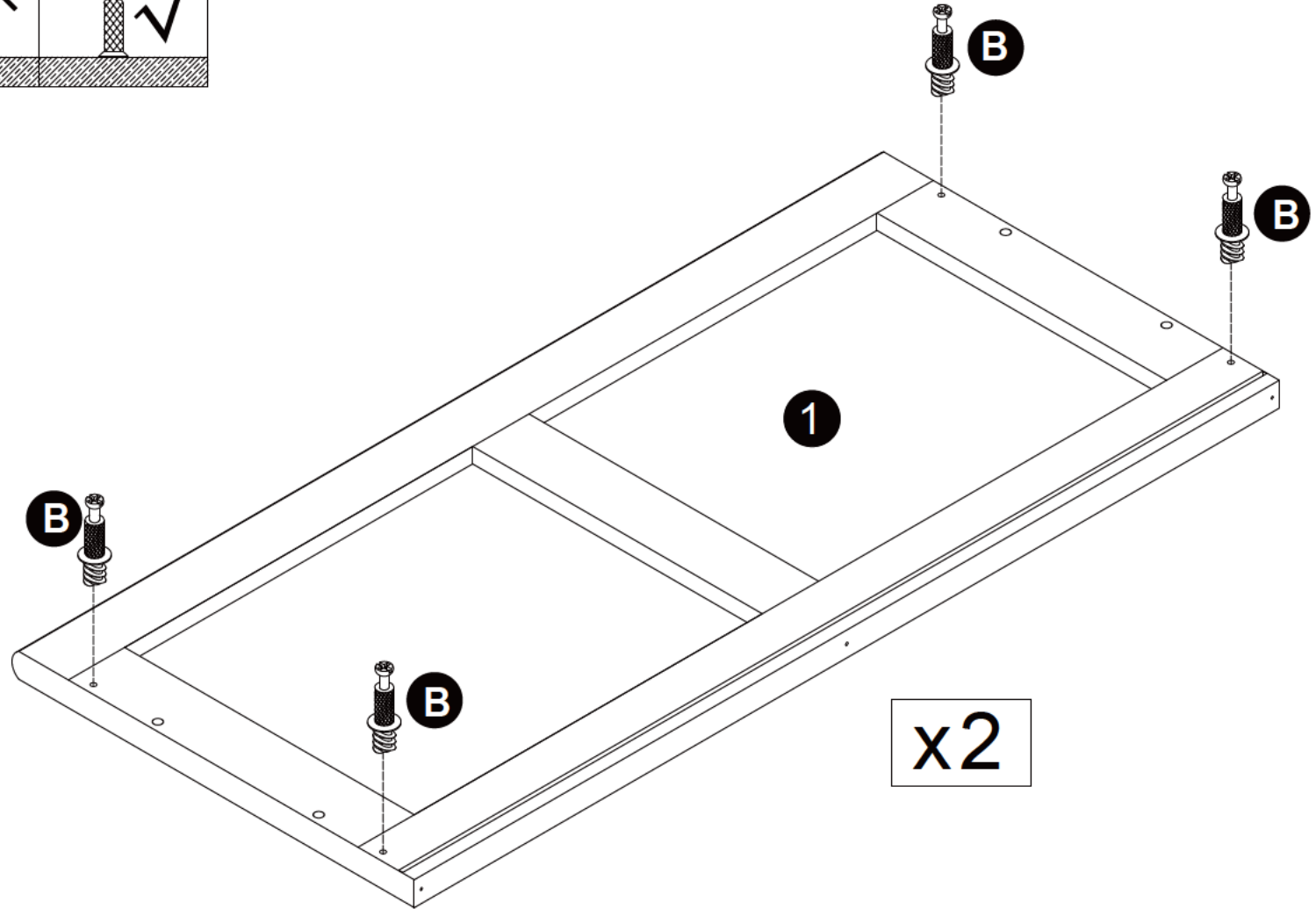
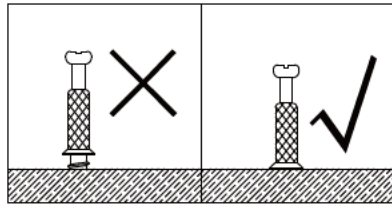


- Attach panels (3,4) to panels (5,7).
- Insert and secure cam locks (C) to panels (5,7) to lock it.

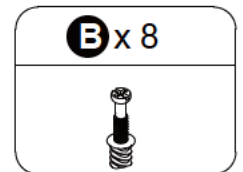


4

INSTALLATION STEPS

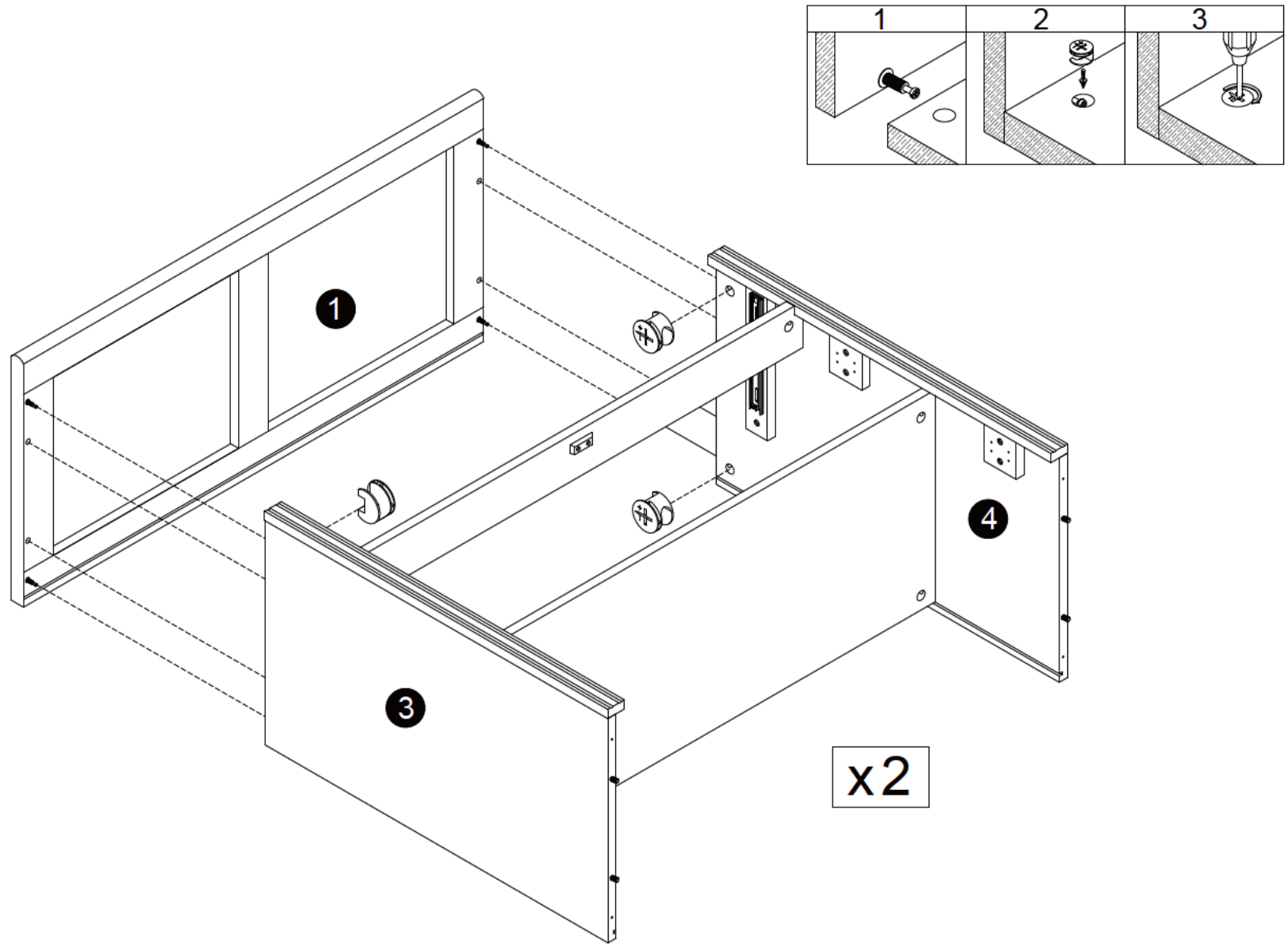


· Screw cam bolts (B) into panel (1).

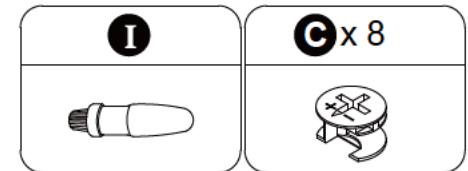


5

INSTALLATION STEPS

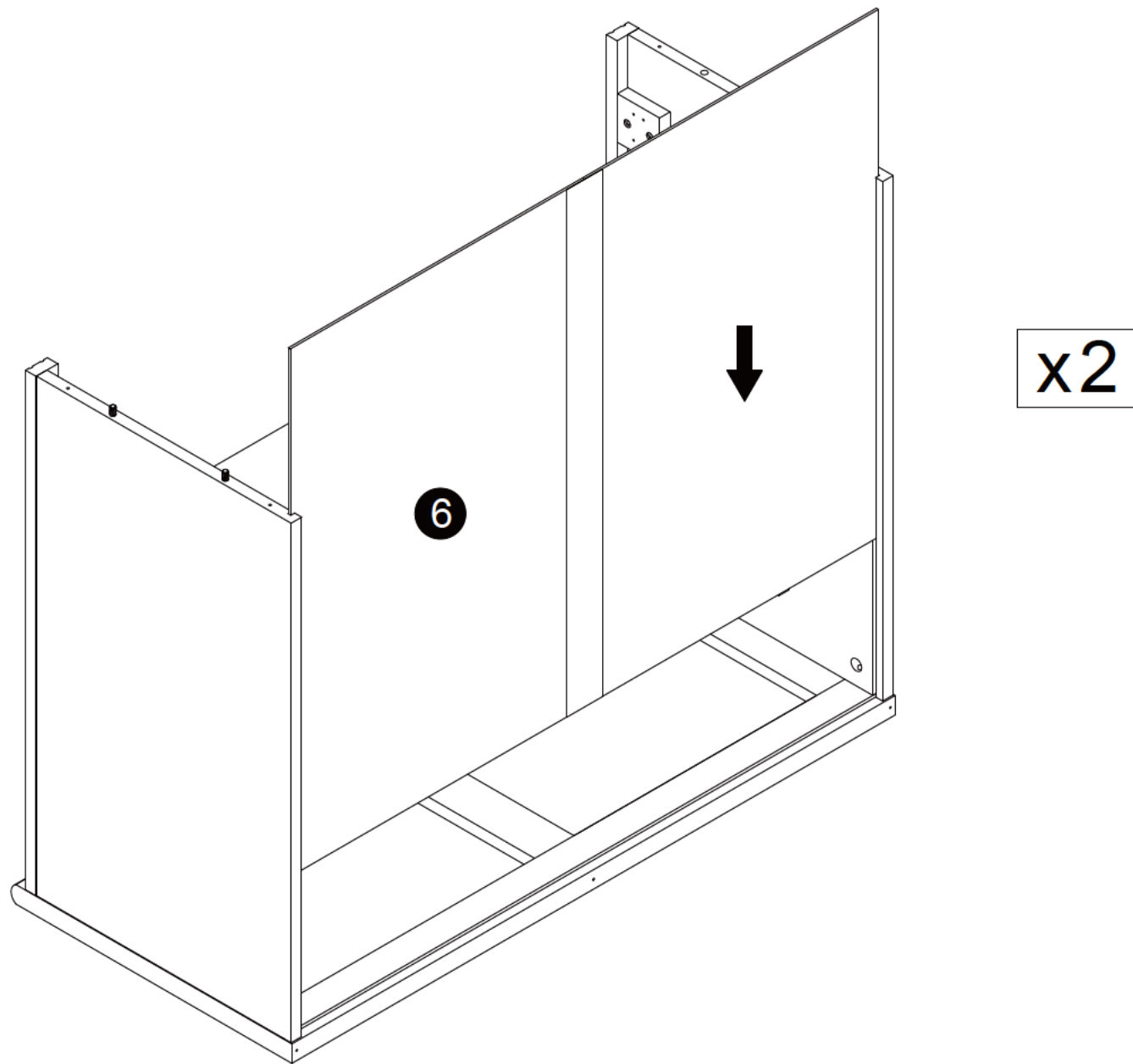


- Attach panels (3,4) to panel (1).
- Insert and secure cam locks (C) to panels (3,4) to lock it.



6

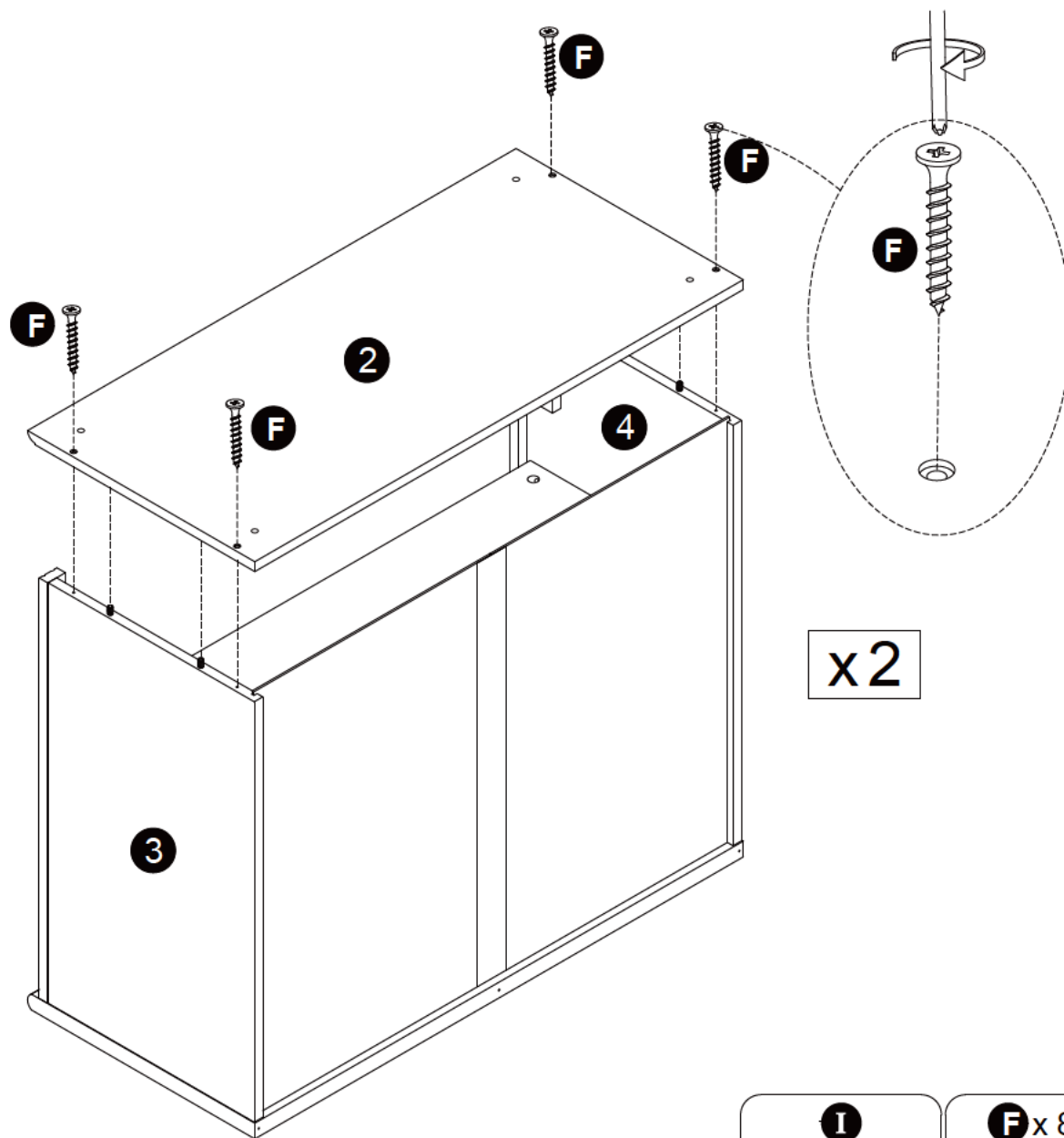
INSTALLATION STEPS



· Carefully slide part (6) into place along the back of the assembly.

7

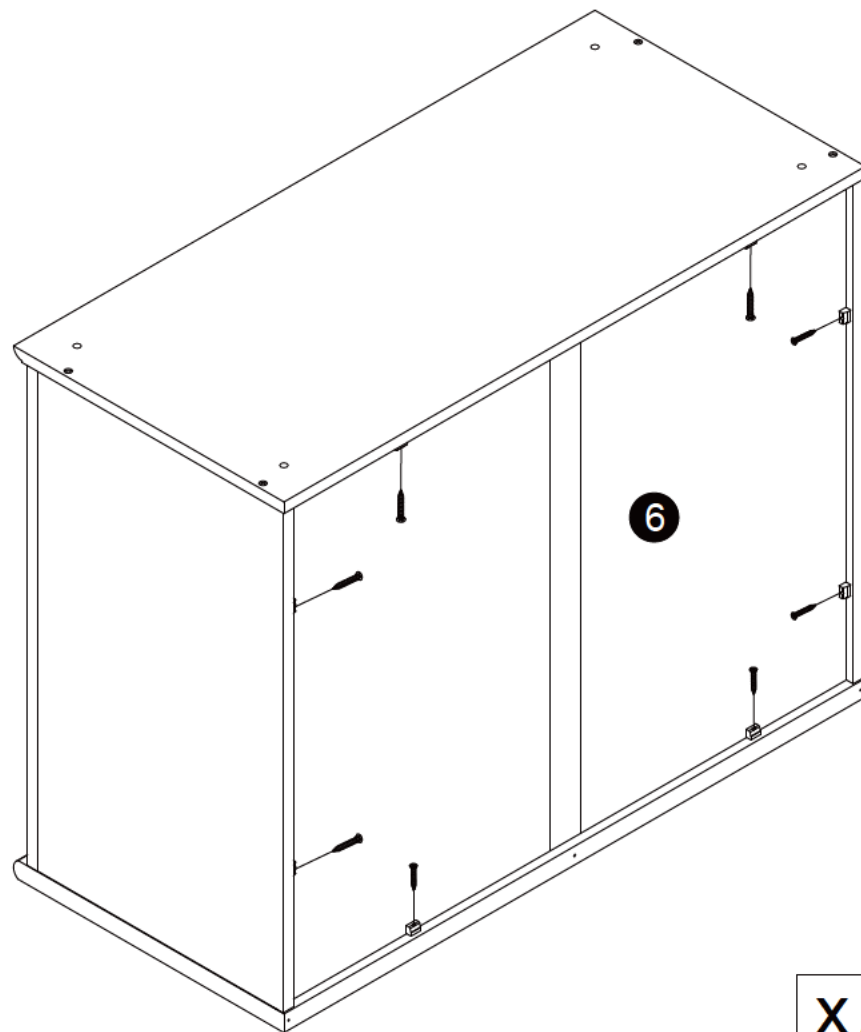
INSTALLATION STEPS



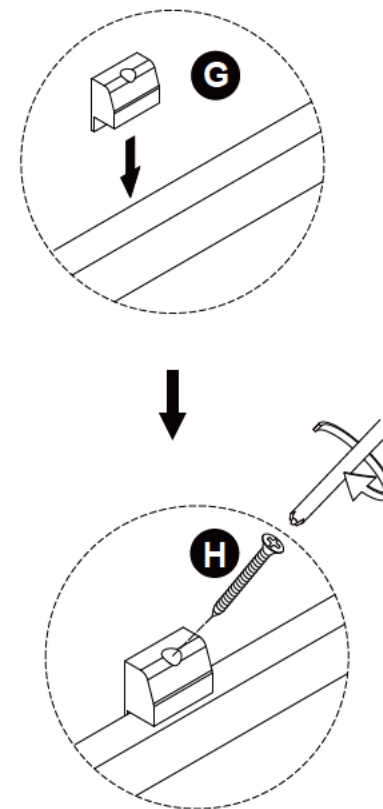
· Attach panel (2) to panels (3,4) with screws (F).

8

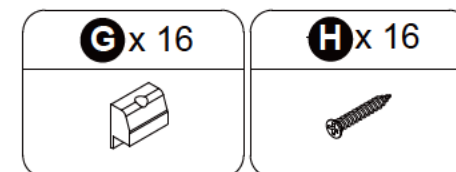
INSTALLATION
STEPS



x2

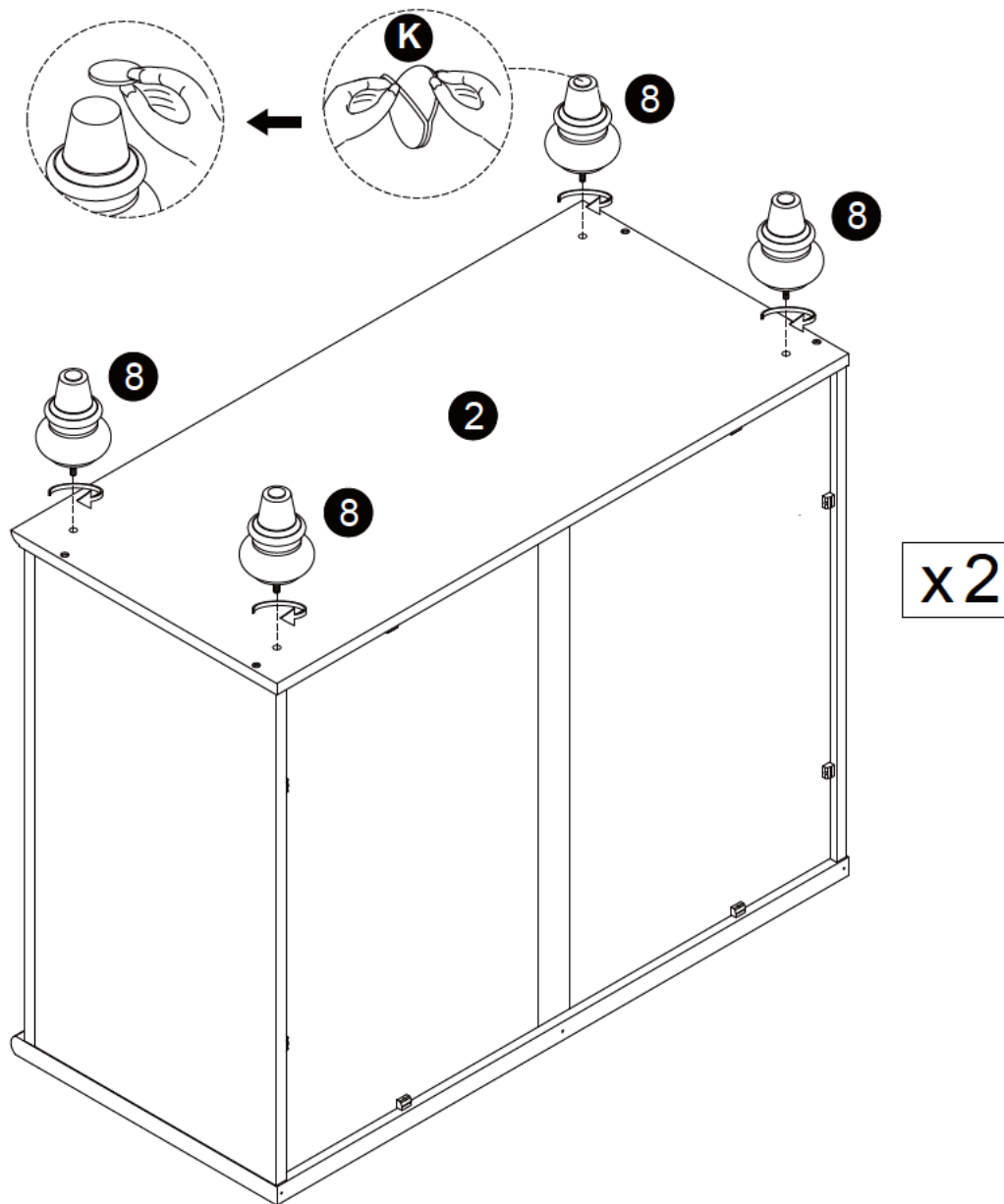


· Secure parts (G) with screws(H) as per diagram.



9

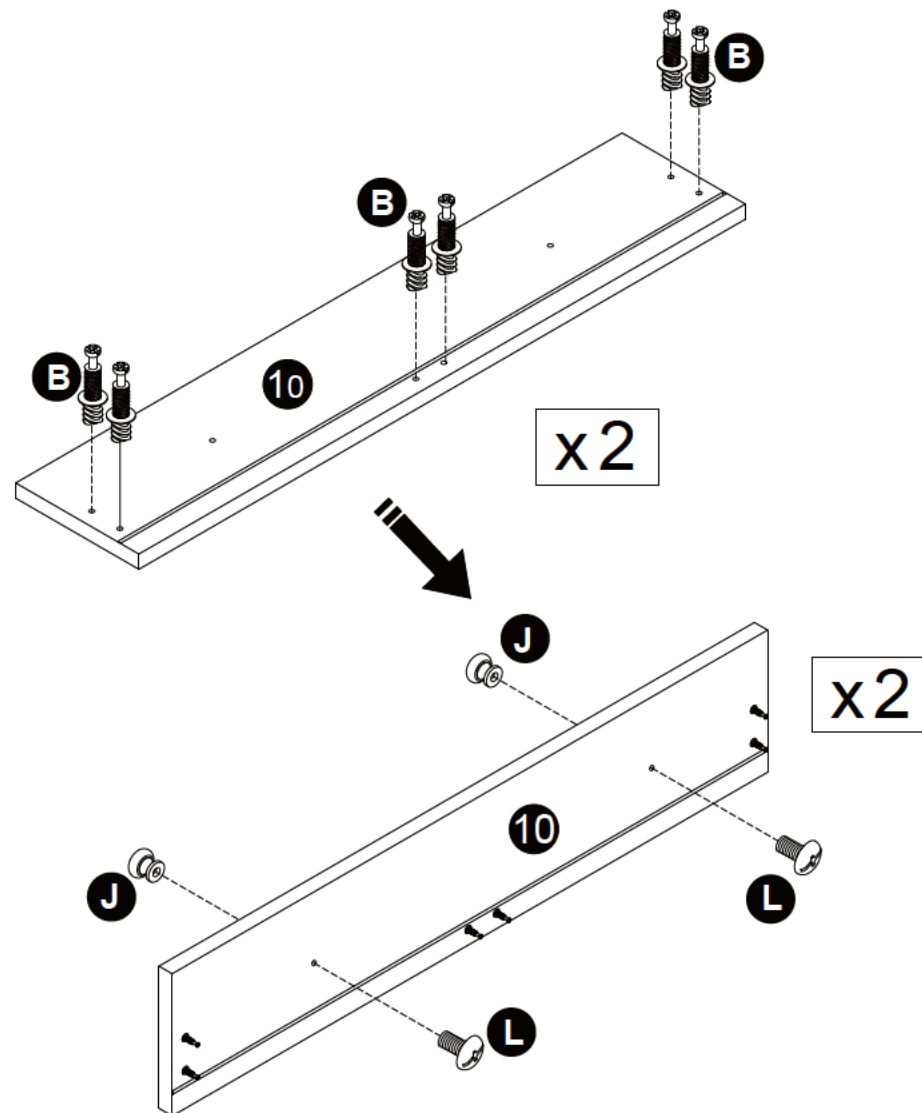
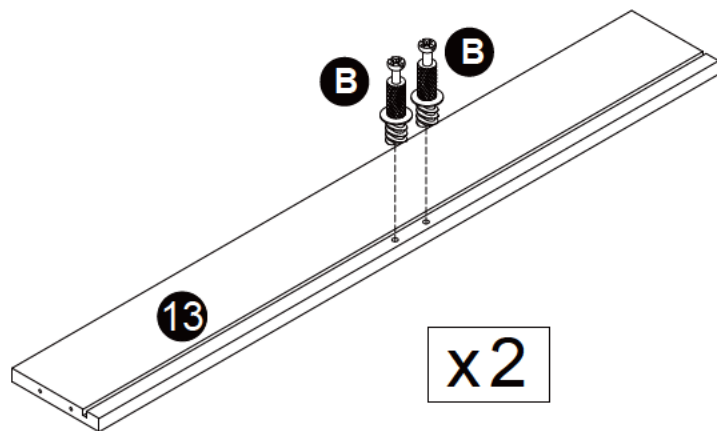
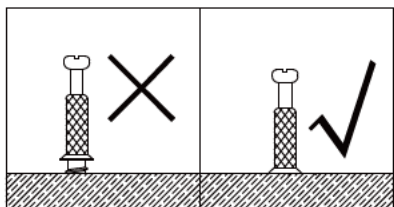
INSTALLATION STEPS



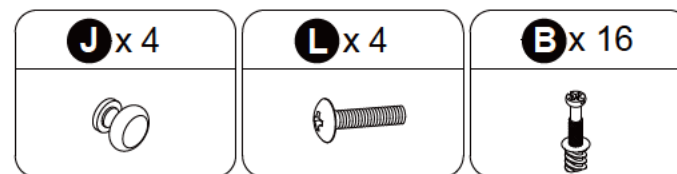
- Attach legs (8) to panel (2) .
- Stick the skid pads (K) on the bottom of the legs (8).

10

INSTALLATION STEPS

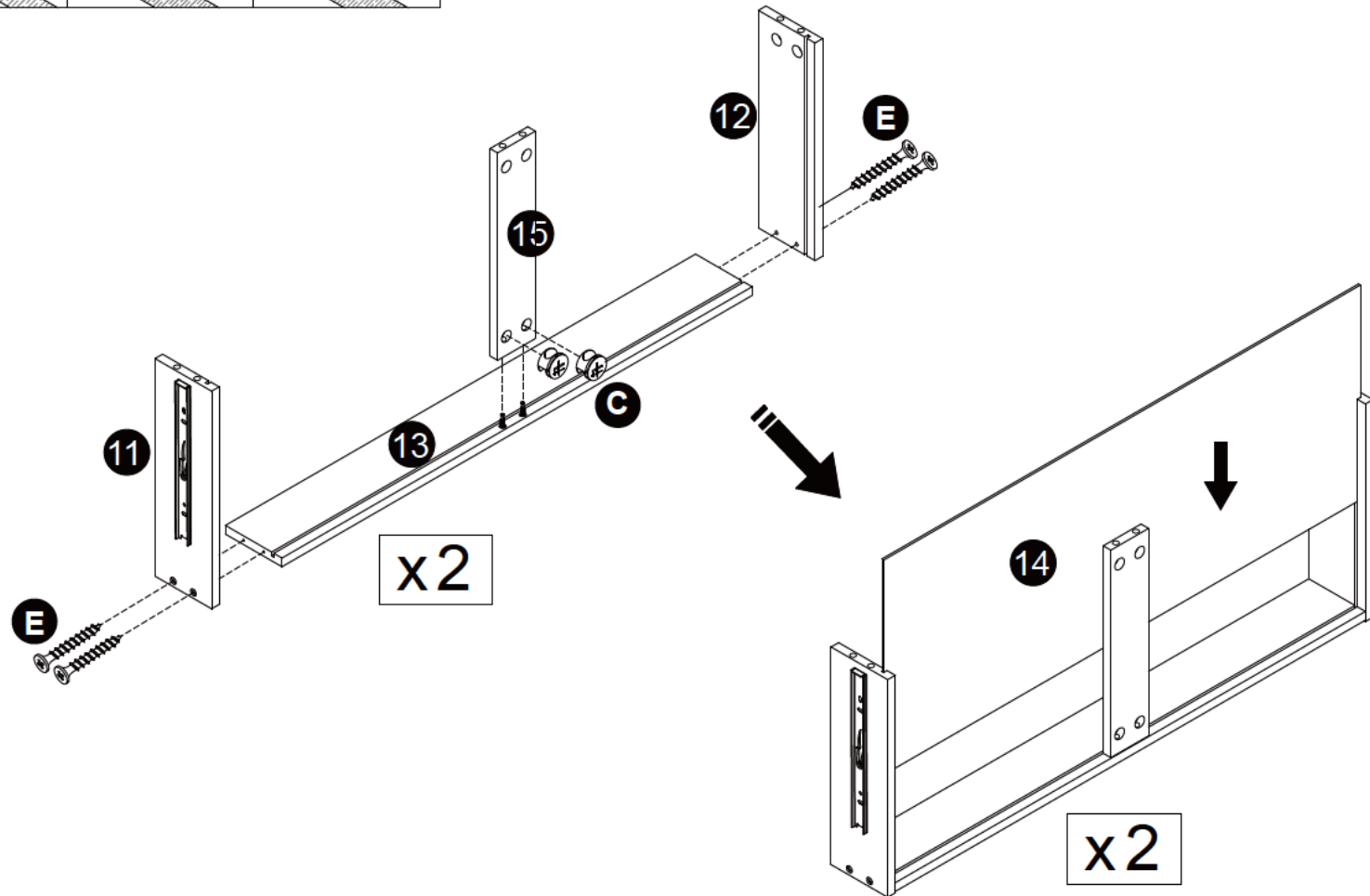
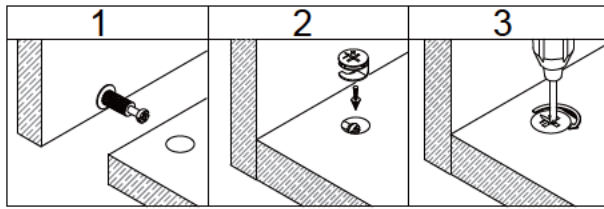


- Screw cam bolts (B) into panels (10,13).
- Screw parts (J) to panel (10) using bolts (L) .

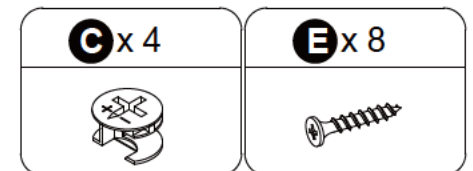


11

INSTALLATION STEPS

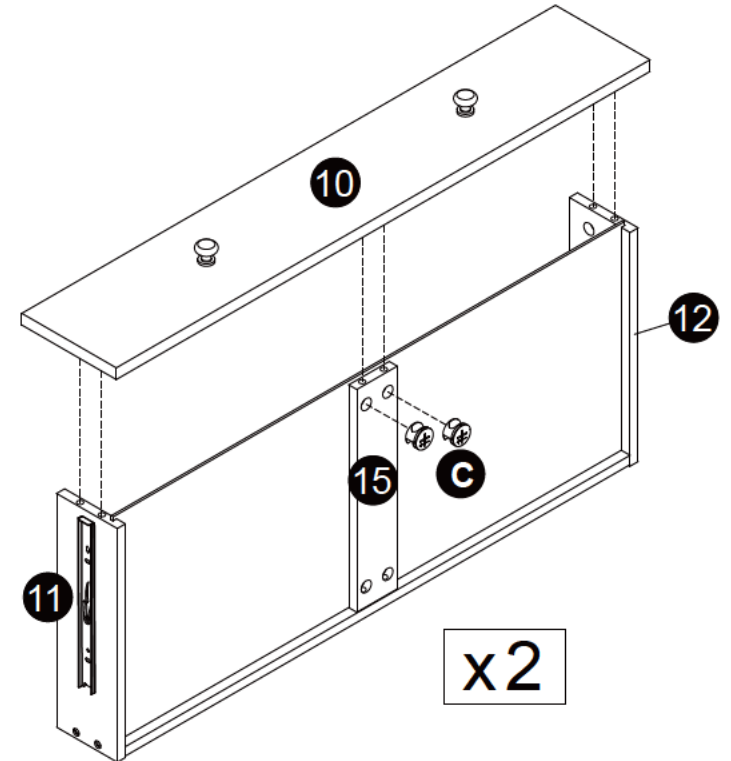
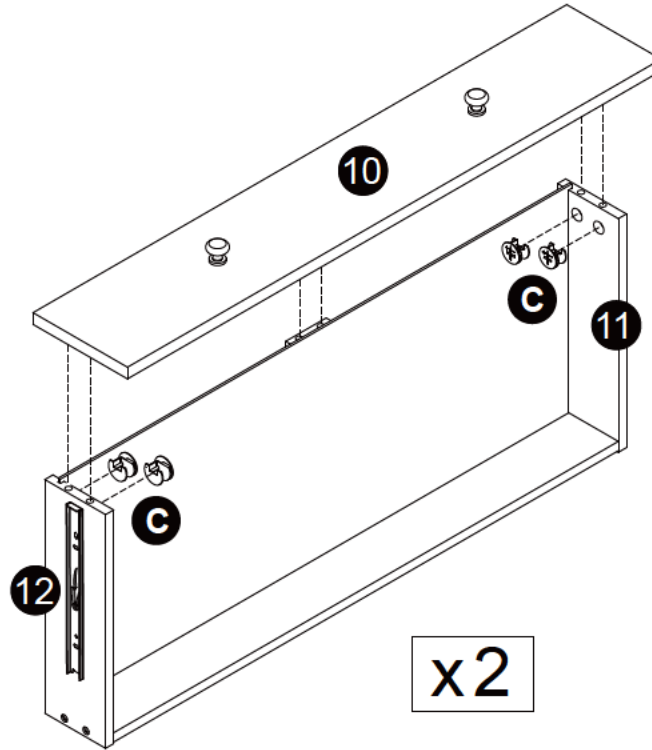
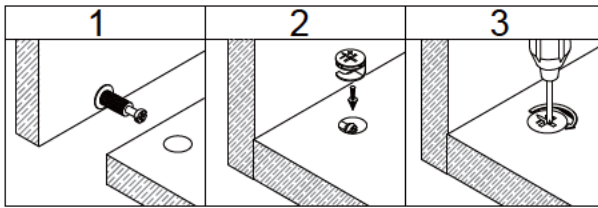


- Attach panels (11,12) to panel (13) with screws (E).
- Attach panel (15) to panel(13).
- Insert and secure cam locks (C) to panel (15) to lock it.
- Carefully slide panel (14) into place along the bottom of the assembly.

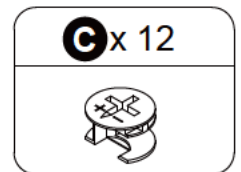


12

INSTALLATION STEPS

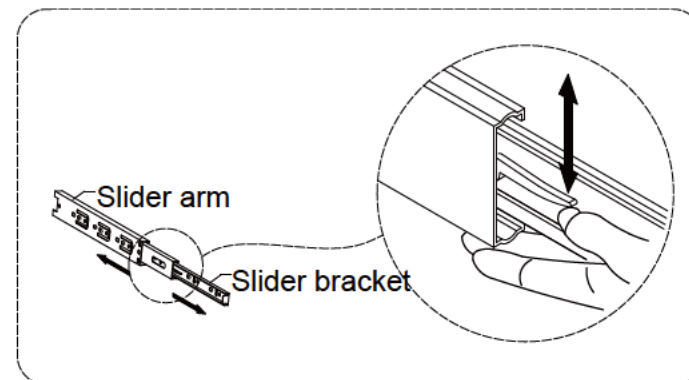
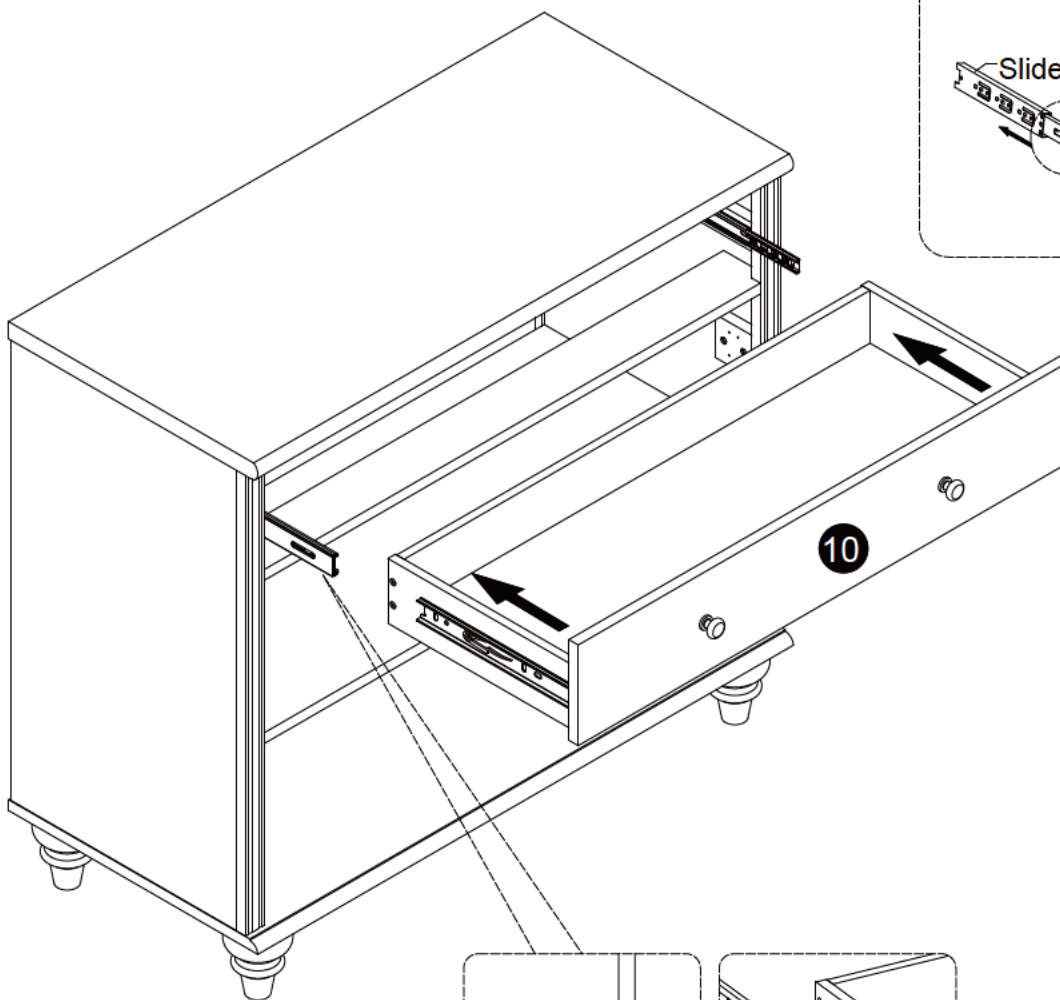


- Attach part (10) to panels (11,12,15).
- Insert and secure cam locks (C) to panels (11,12,15) to lock it.



13

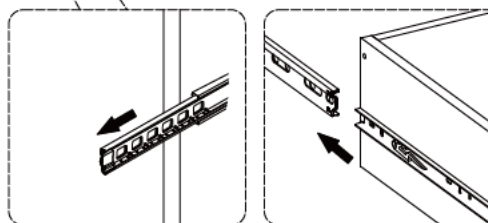
INSTALLATION STEPS



· Assembled the drawers as per diagram

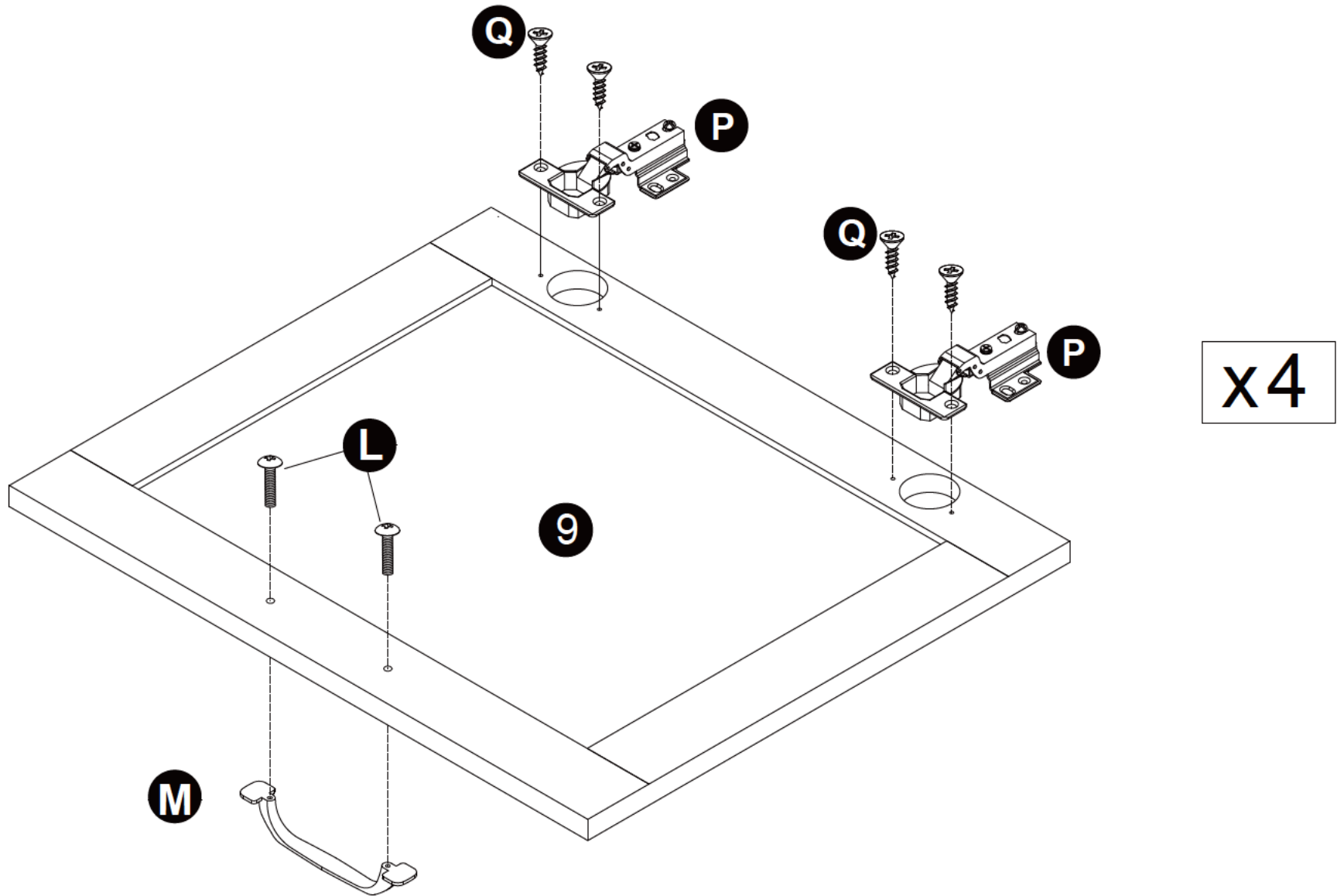
Note :
If the drawer does not go in smoothly.
Press or lift the plastic release lever.
Pull out the slider bracket from
the slider arm.

x2

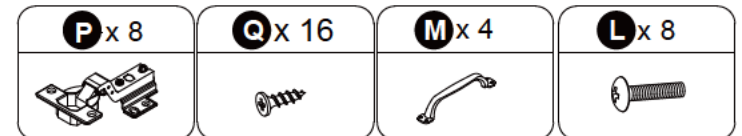


14

INSTALLATION STEPS

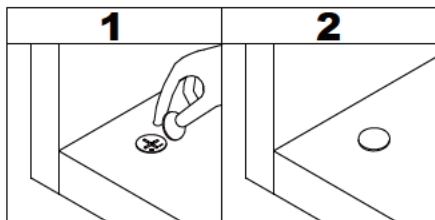


- Attach parts (P) to panel (9) with screws (Q) correctly
- Attach part (M) to panel (9) with bolts (L) correctly

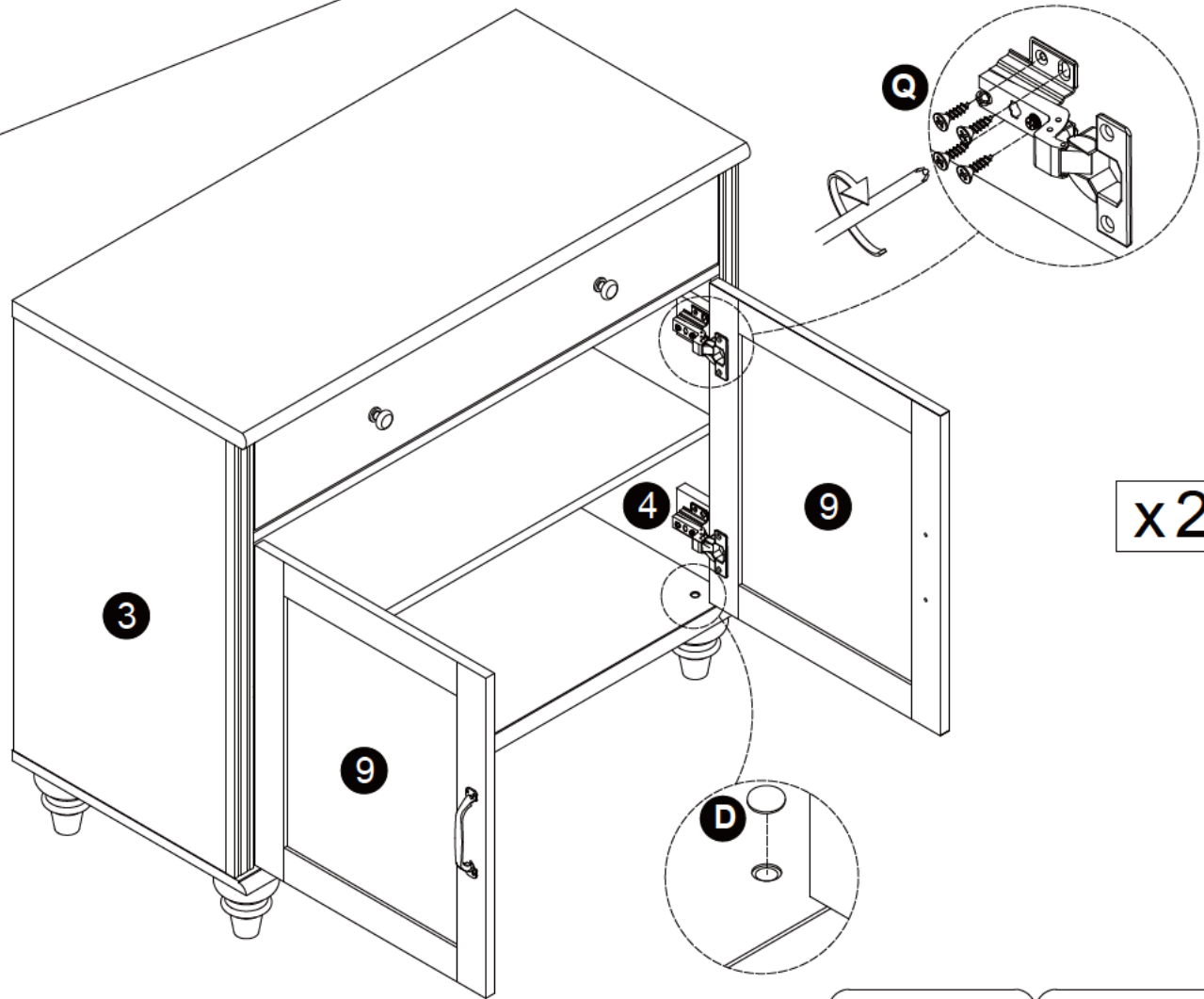
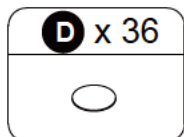


15

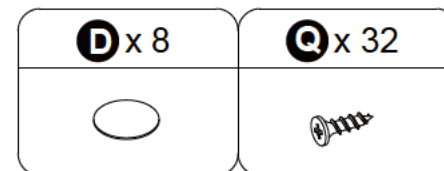
INSTALLATION STEPS



· Stick stickers (D) on cam locks (C).



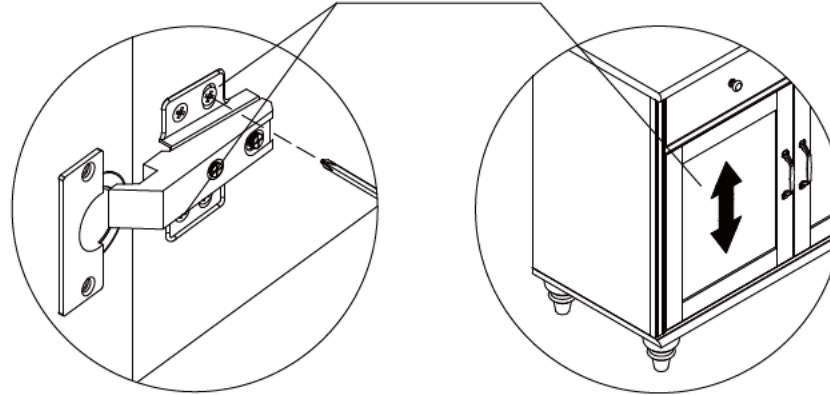
- Attach parts (9) to parts (3,4) with screws (Q) correctly.
- Stick stickers (D) on the holes.



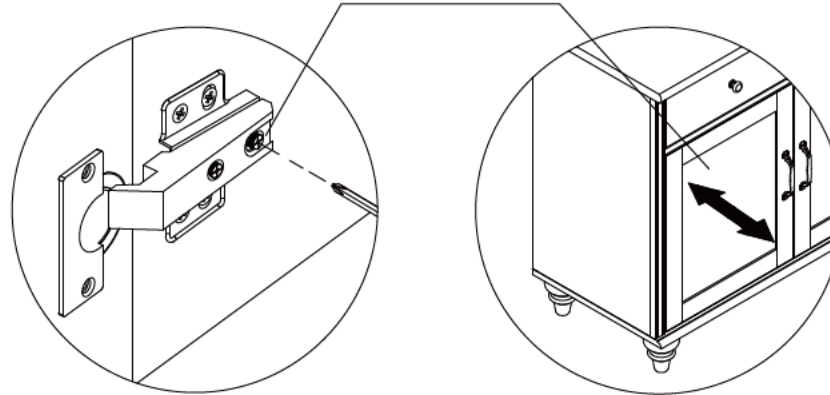
16

INSTALLATION STEPS

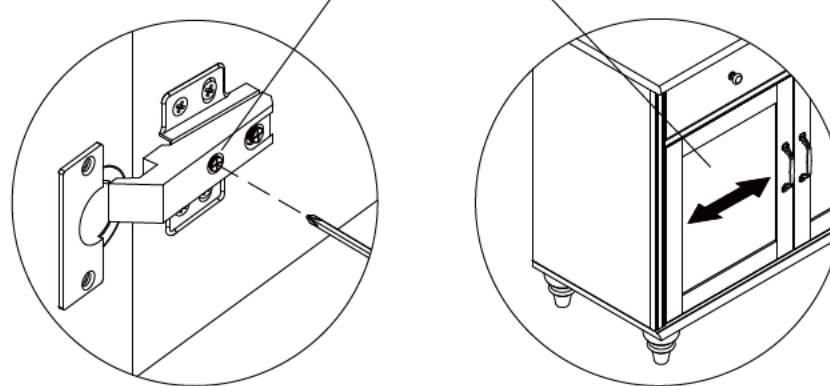
Adjust Height / 高さを調節



Adjust front and back / 前後を調節



Adjust Left and right 左右を調節

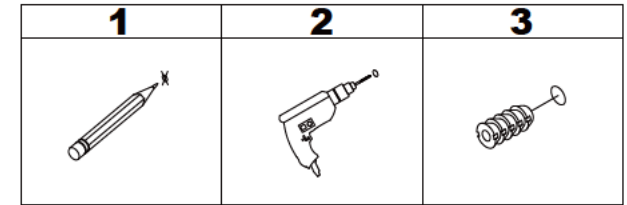


17

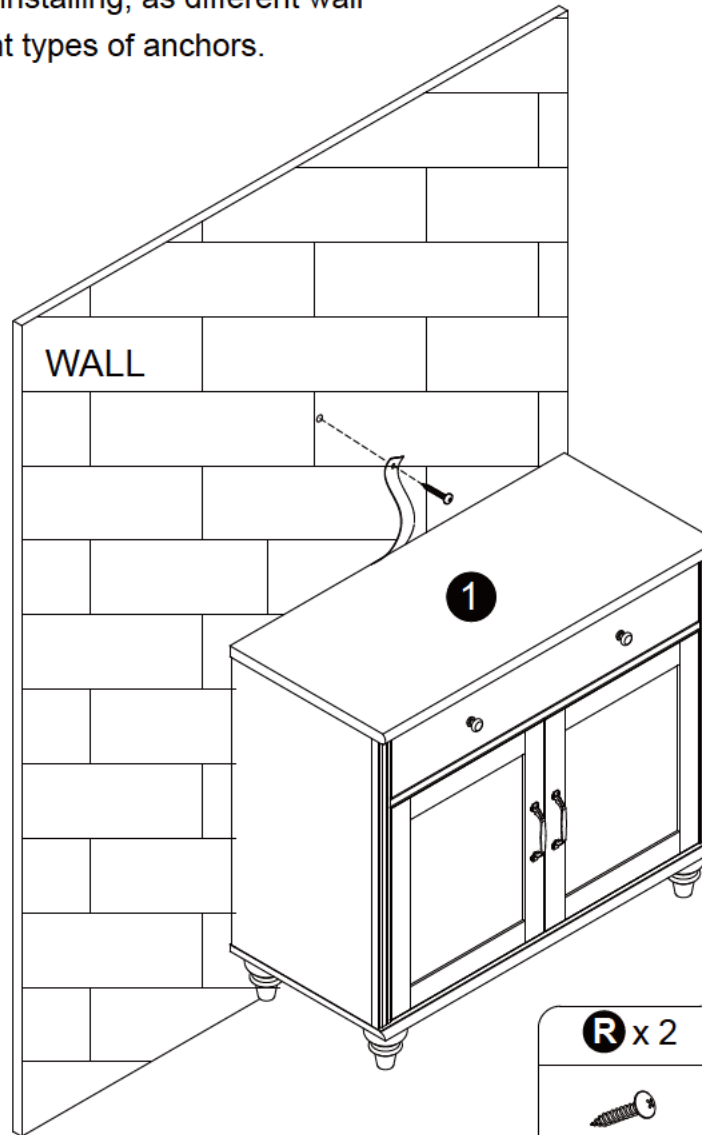
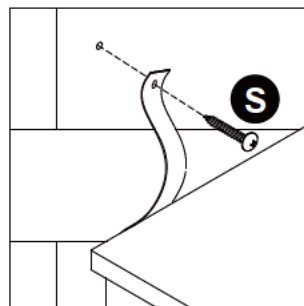
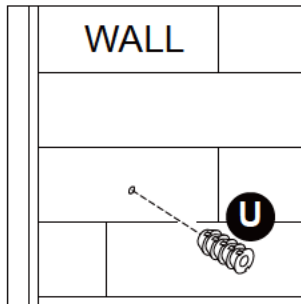
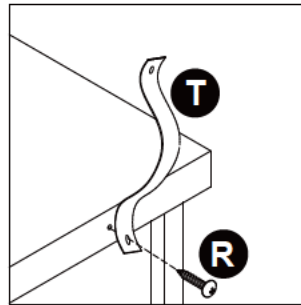
INSTALLATION STEPS

WARNING

Serious or fatal injuries can occur from furniture tipping over. To prevent the furniture from tipping over we recommend that it is permanently fixed to the wall. Wall anchor and hardware are included with this product. Please make sure hardware is suitable for your walls before installing, as different wall materials may require different types of anchors.



Tools required: Phillips screwdriver, Power Drill, 15/64" Drill Bit and Rubber Mallet.



Final Assembly

x2

