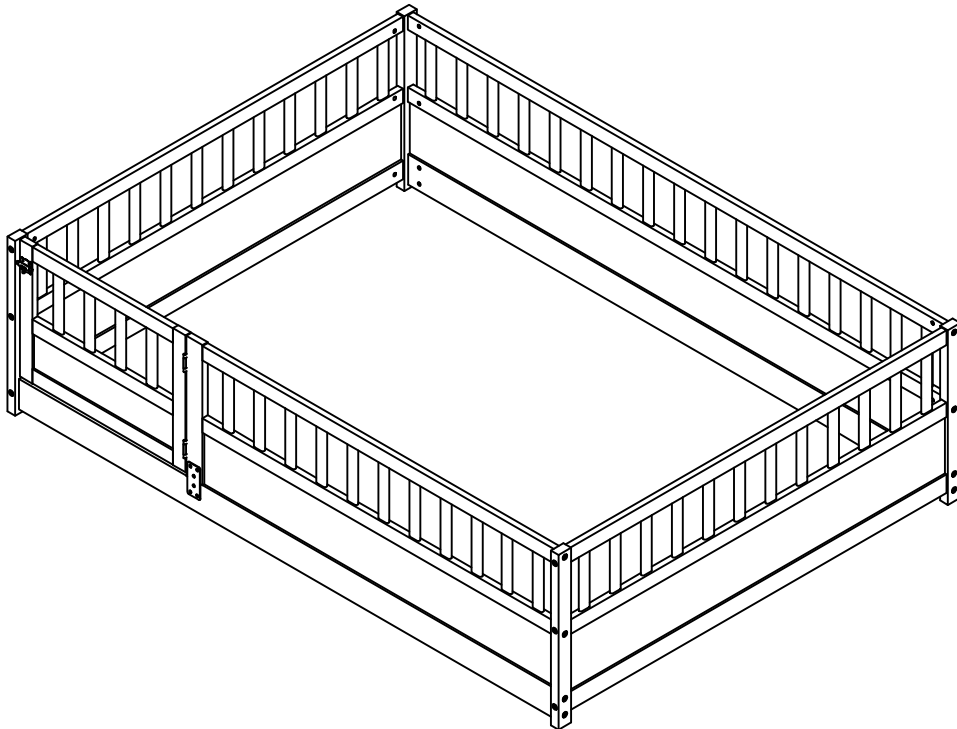


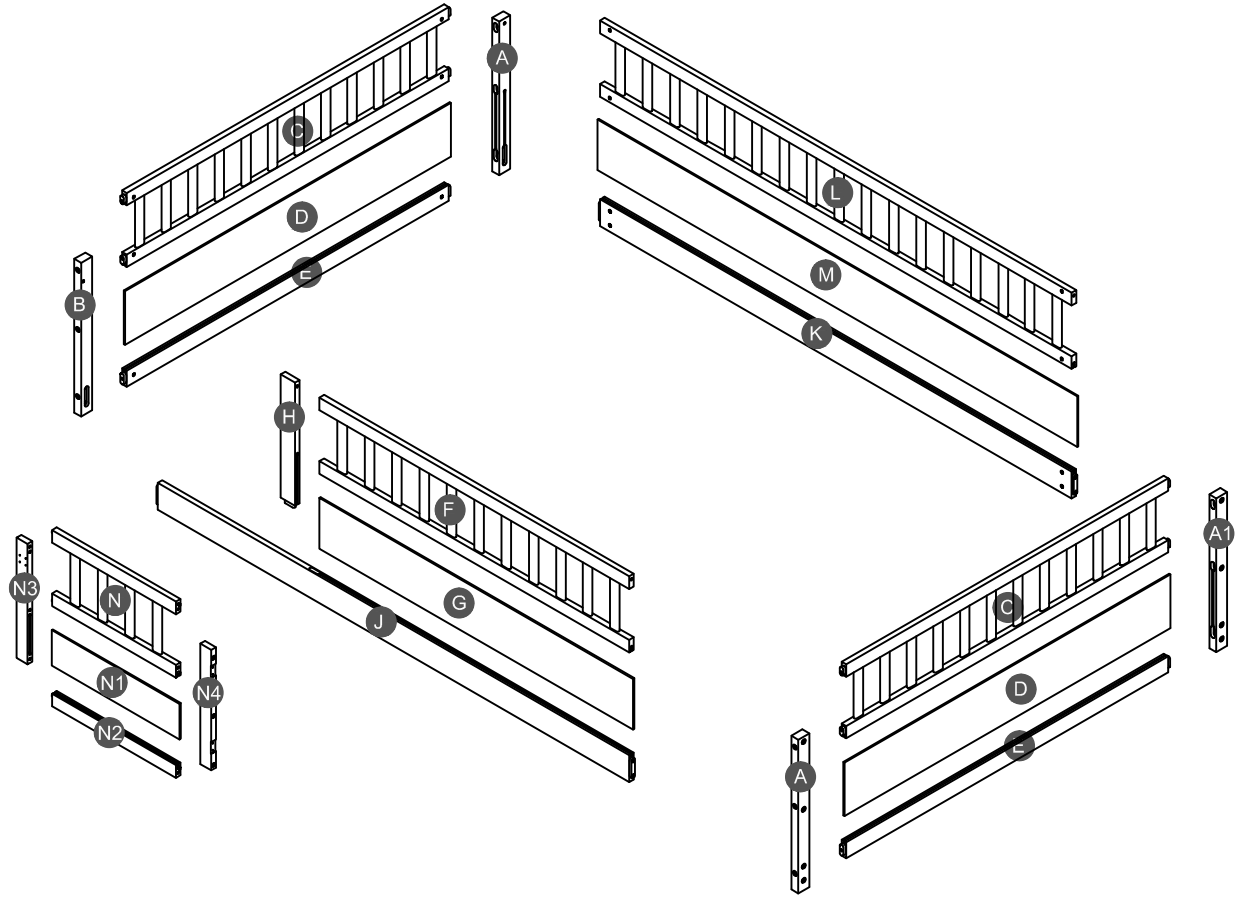
# ASSEMBLY INSTRUCTIONS

## FULL FLOOR BED



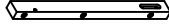
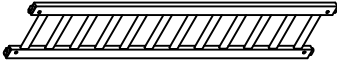
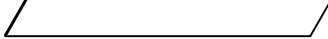

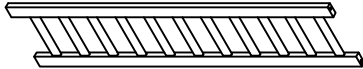
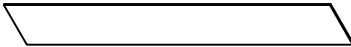
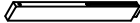

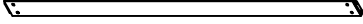

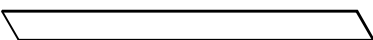
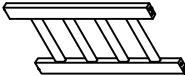


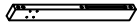
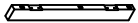


**SWB009-010**


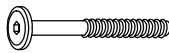
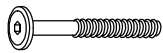


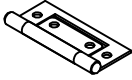
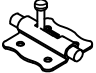
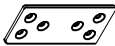
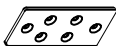

# Detail View



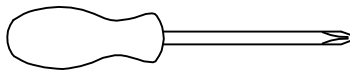
# Part List

<p><b>A</b></p>  <p>Leg (Left Back/Right Front) - 2pcs</p>	<p><b>A1</b></p>  <p>Leg (Right Back) - 1pc</p>	<p><b>B</b></p>  <p>Leg (Left Front) - 1pc</p>
<p><b>C</b></p>  <p>Frame HB/FB - 2pcs</p>	<p><b>D</b></p>  <p>Side Panel HB/FB - 2pcs</p>	<p><b>E</b></p>  <p>Lower horizontal bar HB/FB - 2pcs</p>
<p><b>F</b></p>  <p>Guard rail (Front) - 1pc</p>	<p><b>G</b></p>  <p>Side Panel (Front) - 1pc</p>	<p><b>H</b></p>  <p>Vertical bar (Front) - 1pc</p>
<p><b>J</b></p>  <p>Side rail (Front) - 1pc</p>	<p><b>K</b></p>  <p>Side rail (Back) - 1pc</p>	<p><b>L</b></p>  <p>Guard rail (Back) - 1pc</p>
<p><b>M</b></p>  <p>Side Panel (Back) - 1pc</p>	<p><b>N</b></p>  <p>Frame door - 1pc</p>	<p><b>N1</b></p>  <p>Panel door - 1pc</p>
<p><b>N2</b></p>  <p>Lower horizontal bar door - 1pc</p>	<p><b>N3</b></p>  <p>Vertical bar door (Left) - 1pc</p>	<p><b>N4</b></p>  <p>Vertical bar door (Right) - 1pc</p>

# Hardware List

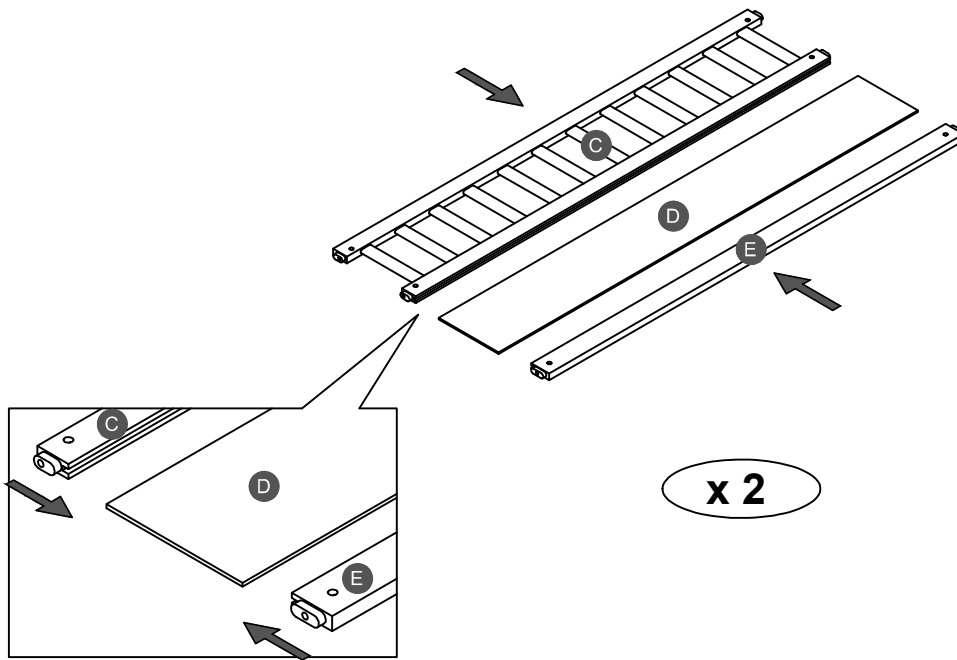
<b>1</b>  (Ø15)1/4"*100mm Hex-Head bolts (2pcs)	<b>2</b>  (Ø15)1/4"*80mm Hex-Head bolts (26pcs)	<b>3</b>  (Ø12)1/4"*70mm Hex-Head bolts (6pcs)
<b>4</b>  1/4"*15 (9.5mm) Horizontal-Hole bolts(34pcs)	<b>5</b>  (1/4")4.5*58mm Allen key (1pc)	<b>6</b>  55*27.5*7mm(180°) Hinges (2pcs)
<b>7</b>  60*38*10mm Lock (1pc)	<b>8</b>  100*44*1.5mm Metal bracket (1pc)	<b>9</b>  100*44*1.5mm Metal bracket (1pc)
<b>10</b>  Ø3.5*15mm Wood screws (24pcs)		

## ASSEMBLY TOOLS REQUIRED ( NOT INCLUDED )

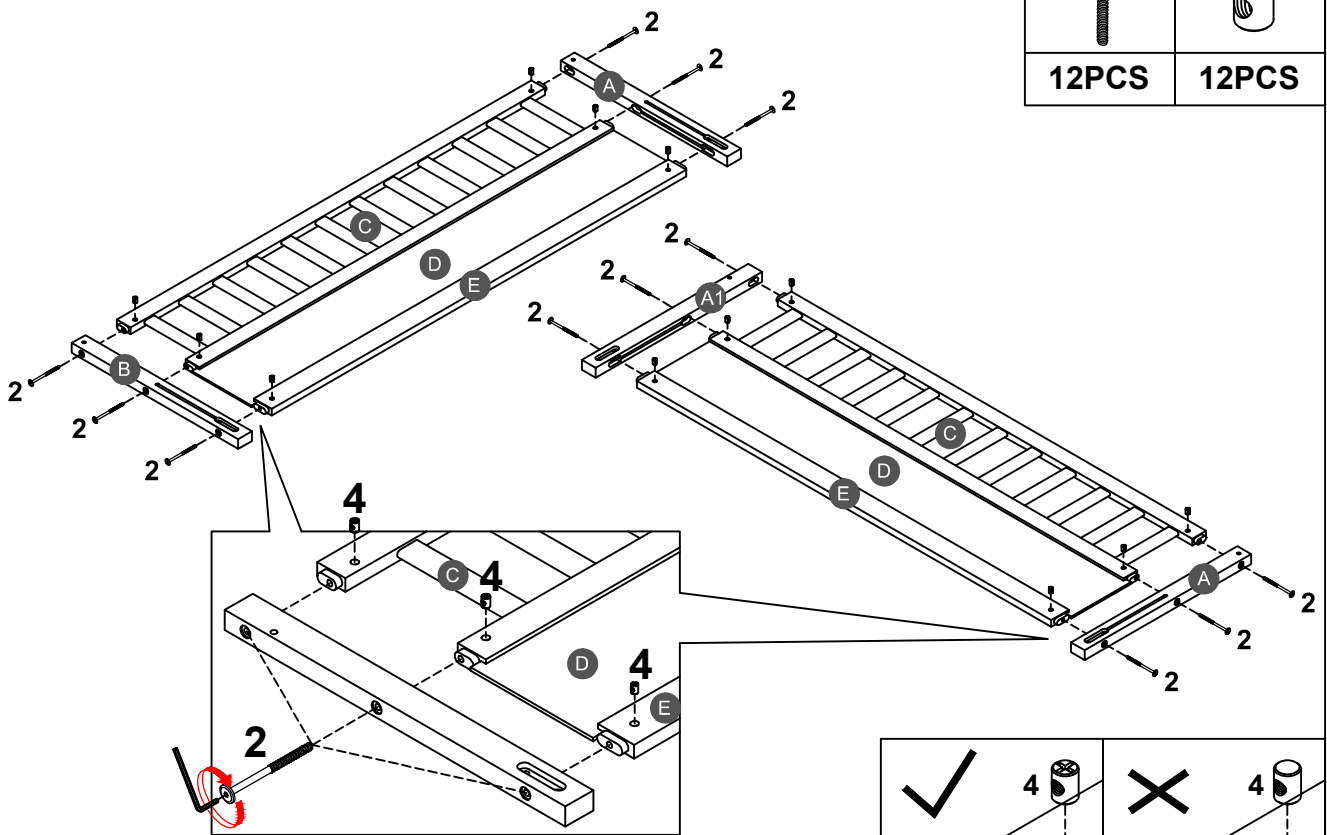


PLEASE BE CAREFUL DO NOT DAMAGE THE HOLE POSITION WHEN YOU USE POWER TOOLS !

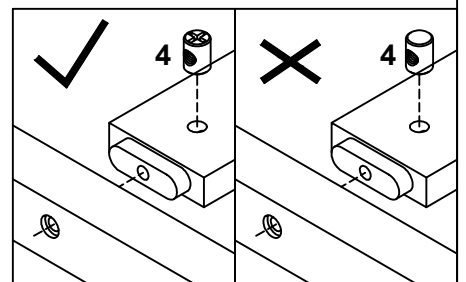
**STEP 1:**



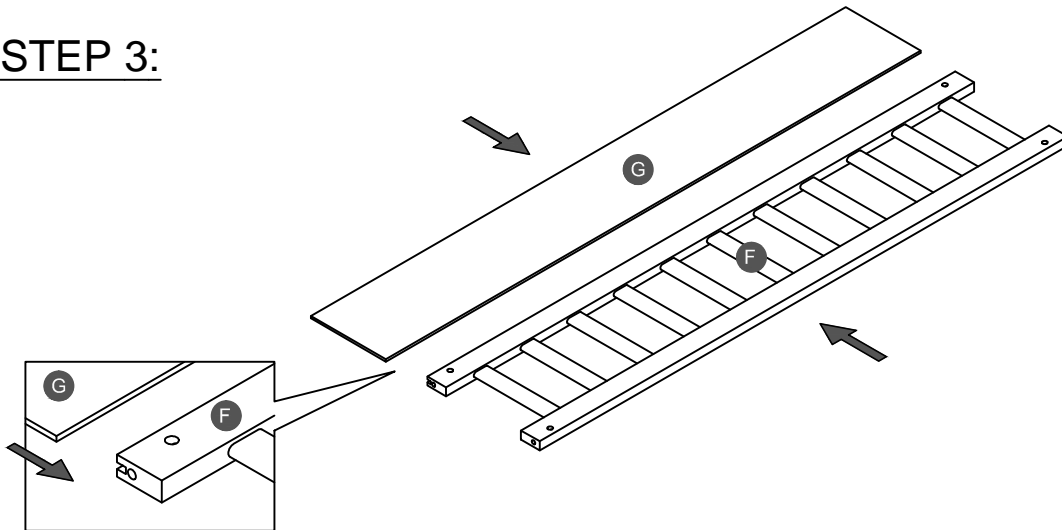
**STEP 2:**



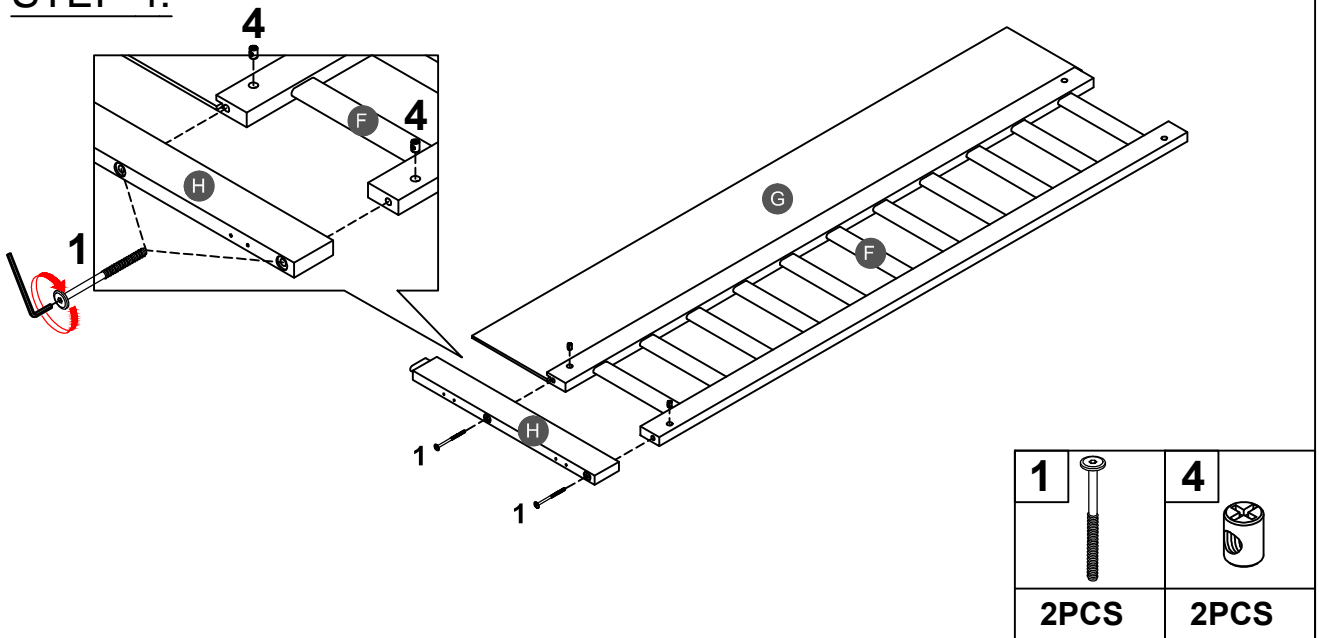
Note: Part 4 will face up with the "x" mark on it, otherwise it cannot be tightened



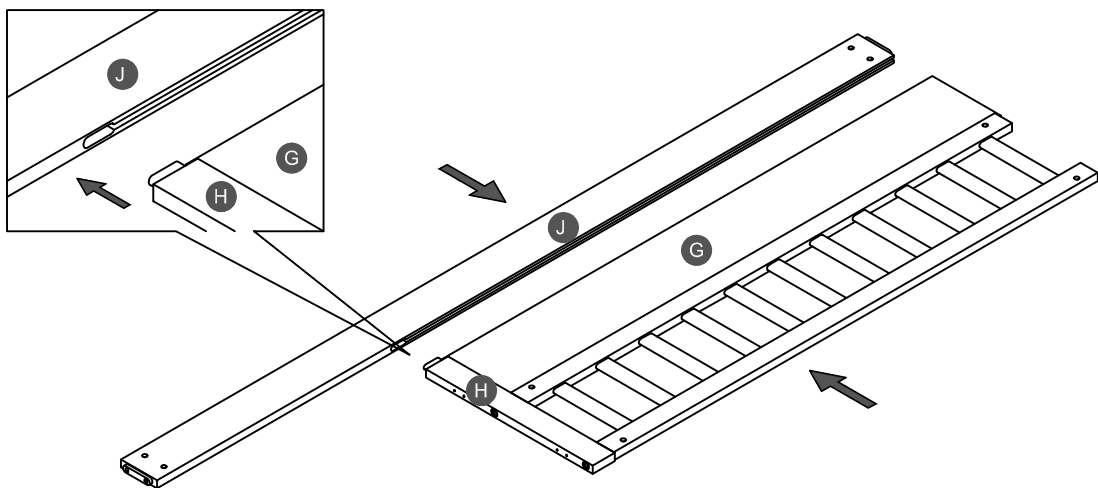
**STEP 3:**



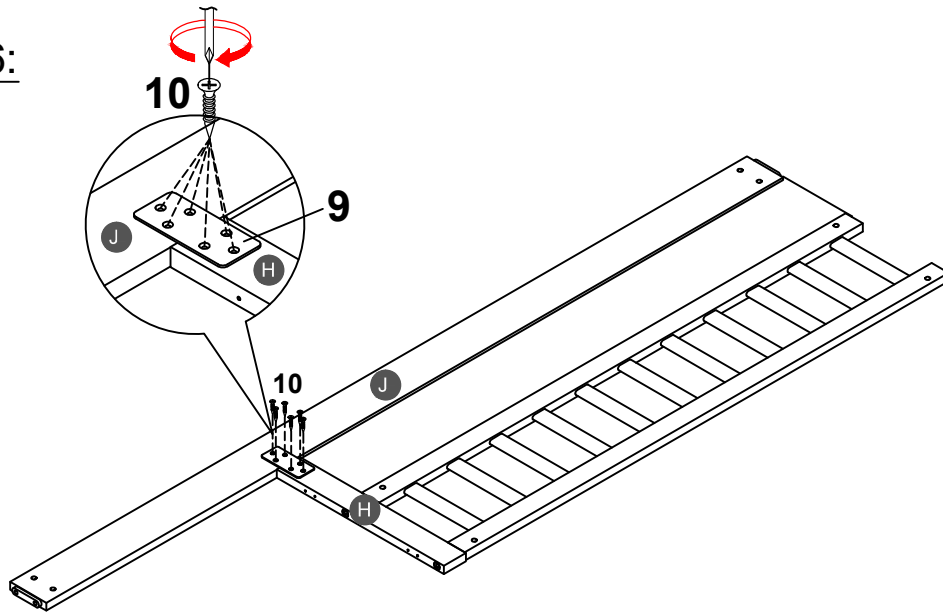
**STEP 4:**



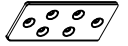
**STEP 5:**



**STEP 6:**



**9**



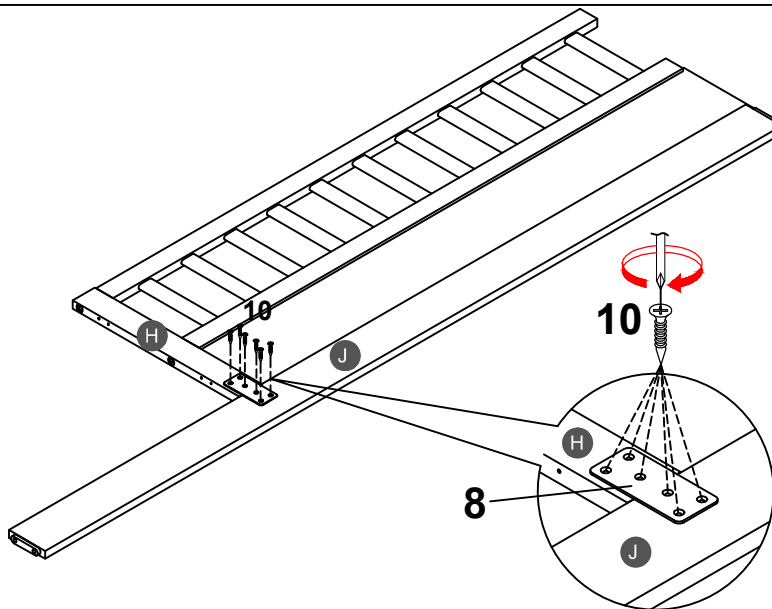
**1PC**

**10**

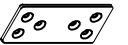


**6PCS**

**STEP 7:**



**8**



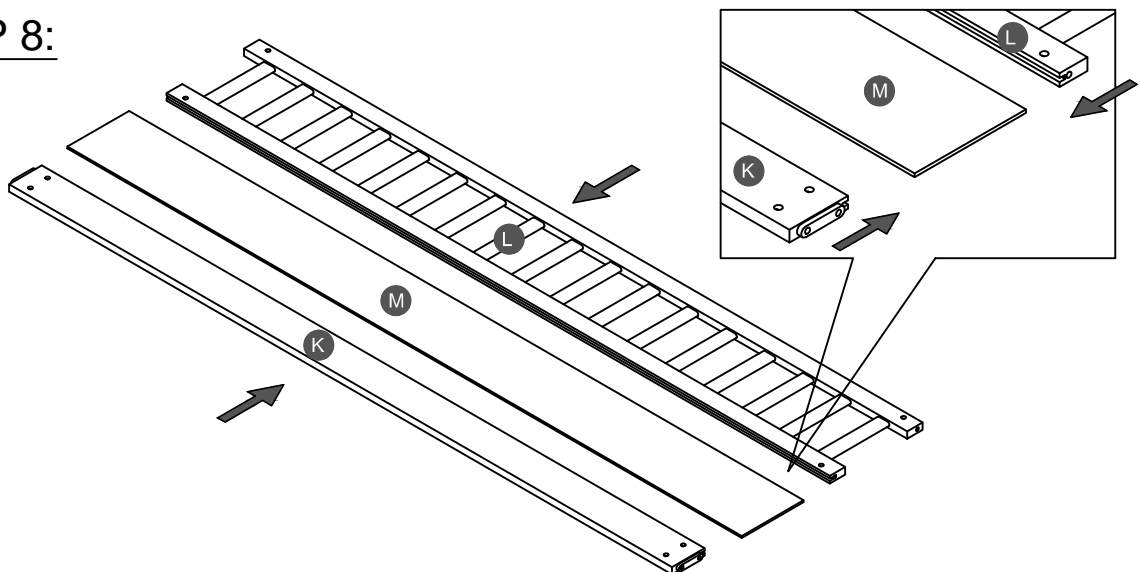
**1PC**

**10**





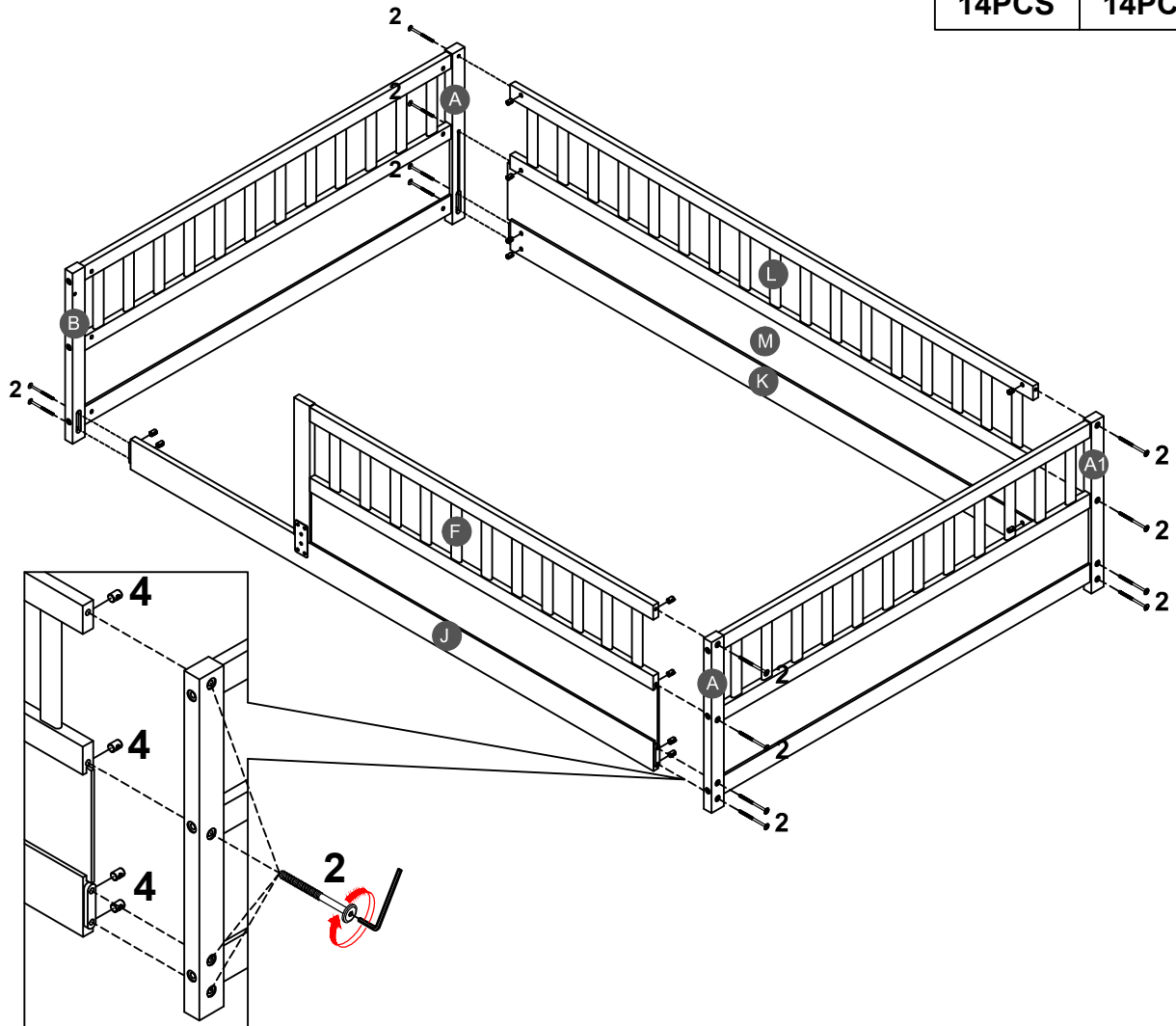
**6PCS**

**STEP 8:**

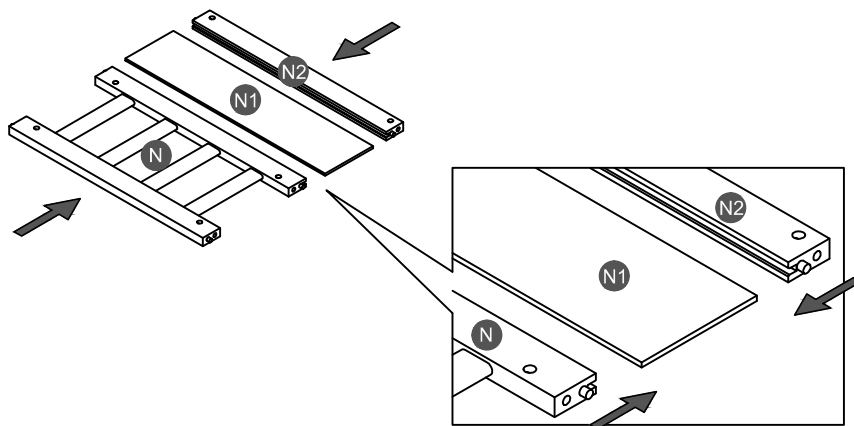


**STEP 9:**

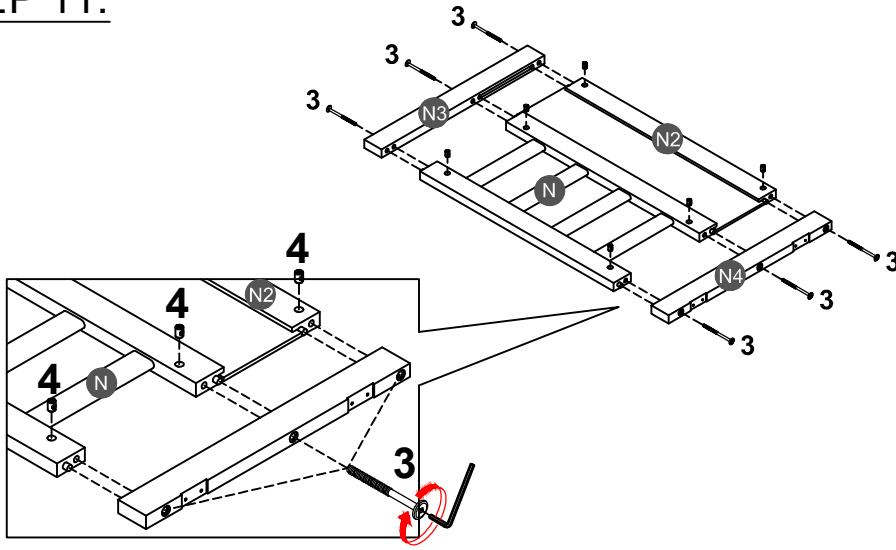
<b>2</b>		<b>4</b>	
<b>14PCS</b>		<b>14PCS</b>	





**STEP 10:**

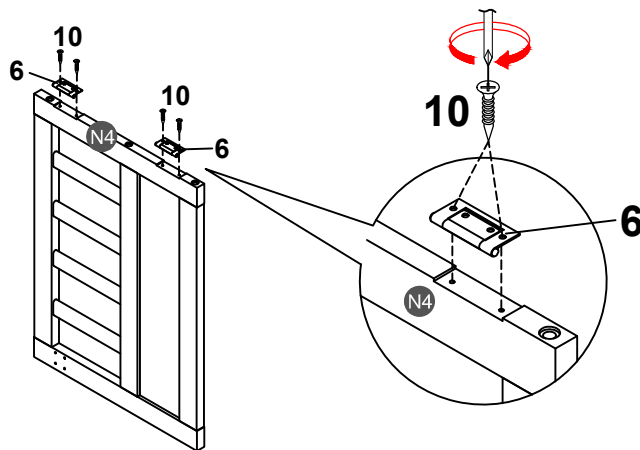


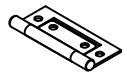

**STEP 11:**



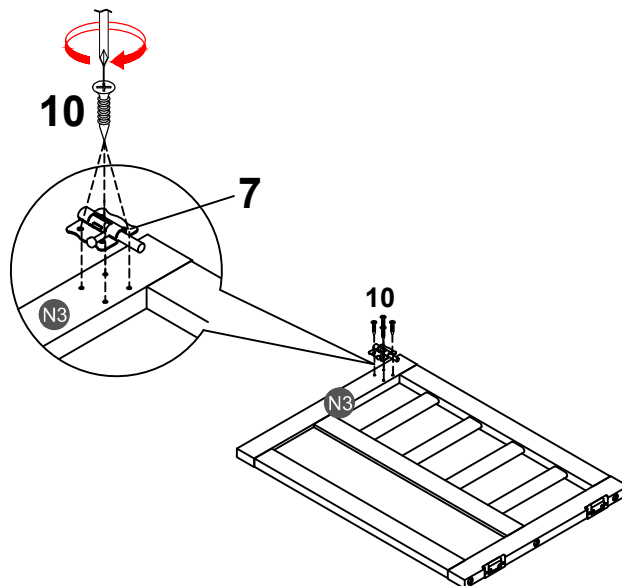
<b>3</b>		<b>4</b>	
<b>6PCS</b>		<b>6PCS</b>	

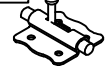

**STEP 12:**



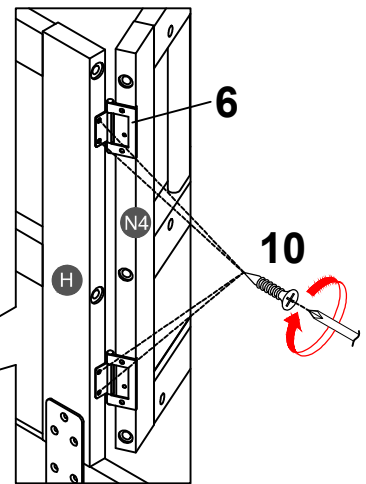
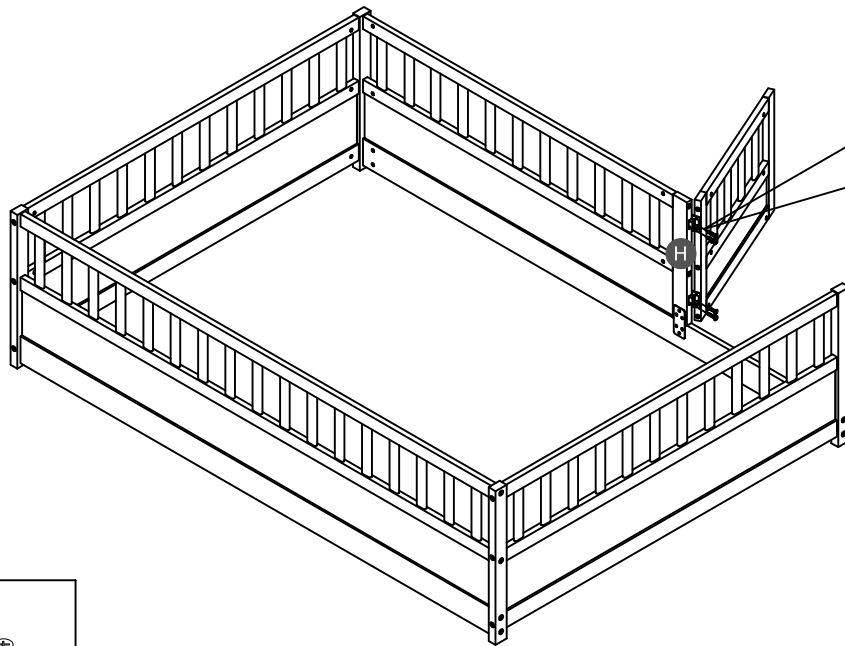
<b>6</b>		<b>10</b>	
<b>2PCS</b>		<b>4PCS</b>	

**STEP 13:**



<b>7</b>		<b>10</b>	
<b>1PC</b>		<b>4PCS</b>	

**STEP 14:**



**10**



**4PCS**

**STEP 15:**

