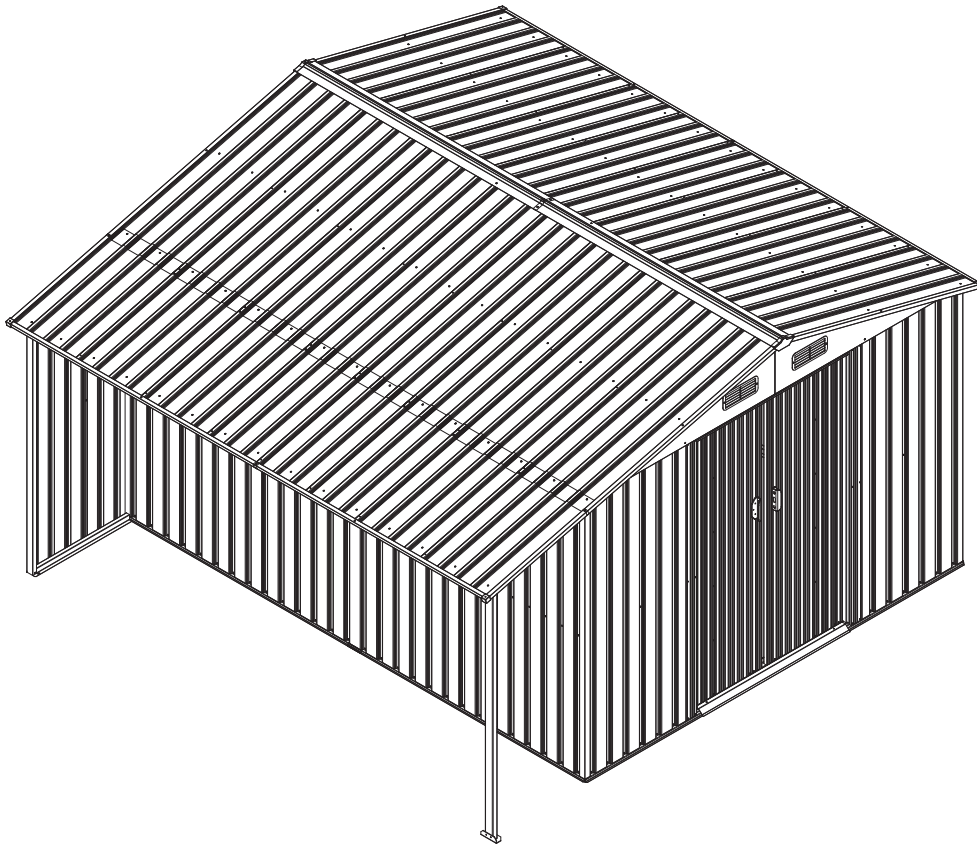


10x10 METAL STORAGE SHED ASSEMBLY INSTRUCTION



PRODUCT CONTAINS 3 BOXES:

BOX 1/3 (YSS007-1A1A1)

BOX 2/3 (YSS007-1A1A2)

BOX 3/3 (YSS007-1A1A3)

Arrive in 3 separate boxes and may not be part of the same shipment;
Please install the product after receiving all the packages.

Requires three people and takes 5-8 hours for installation.

Quick & Easy Assembly

Ridge Reinforced Walls

Available in Various Sizes

**WARNING: READ INSTRUCTION MANUAL BEFORE ATTEMPTING TO ASSEMBLE
OR OPERATE THIS PRODUCT.**

After-sale mail: support@wepatio.com

Any problems, please contact us.

We will help you within 24 hours.

CONTENTS

1.Contents.....	2
2.Precautions for installation.....	3-4
3.Product explosion diagram	5-6
4.Part list.....	7-9
5.Base installation steps.....	10-12
6.Frame installation steps.....	13-18
7.Triangular panel installation steps.....	19-26
8.Top panels installation steps.....	27-30
9.Door installation steps	31-33

BEFORE YOU START

Owner's Manual

Prior to installation, it is important that you contact your local government authority to determine if building approval is required. Study and understand this owner's manual.

Important information and helpful tips will make your construction easier and more enjoyable.

Assembly instructions

Instructions are supplied in this manual and contain all appropriate information for your building model.

Review all instructions before you begin. During assembly, follow the step sequence carefully for correct results. Please be aware: **this unit takes two people about one full day to complete.**

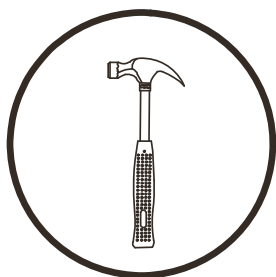
Parts

Check to be sure that you have all the necessary parts for the building.

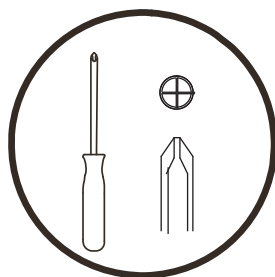
Separate contents of the carton by the part number while reviewing the parts list.

Familiarize yourself with hardware and fasteners for easier use during construction. These are packaged within the carton. Note that extra fasteners have been supplied for your convenience.

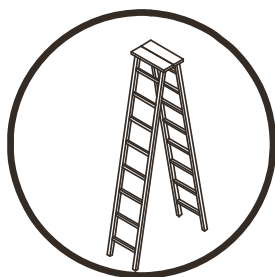
TOOLS MY REQUIRED



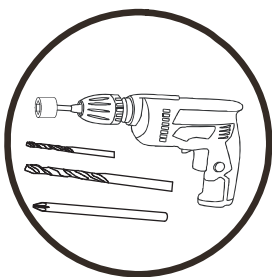
Hammer



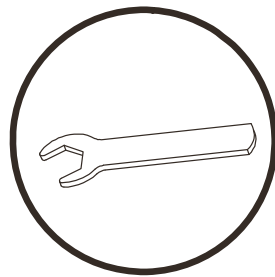
Screwdriver



Ladder



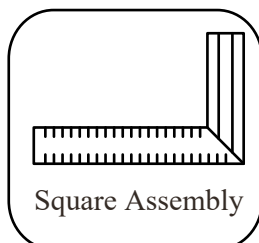
Electric screw driver



Wrench

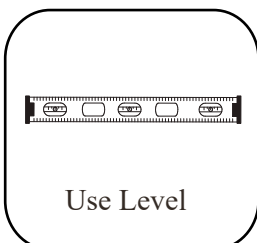


This identifies information that requires special attention. Improper assembly could lead to an unsafe or dangerous condition.



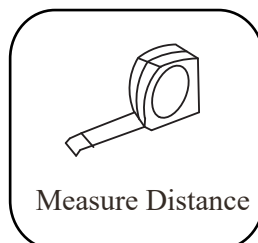
Square Assembly

Check that assembly is square before tightening bolts.

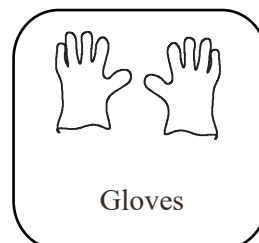


Use Level

Check that set or assembly is properly level before proceeding.



Measure Distance



Gloves

IMPORTANT

How many people needed for the installation work

Requires three people and takes 5-8 hours for installation.



PLAN AHEAD

Site Selection

I Avoid overhanging trees as much as possible as leaves will make regular cleaning necessary and broken branches are a potential hazard.

I Small trees, bushes or fences nearby can be helpful, acting as a wind break.

Site Preparation

The site must be prepared so that the base of the shed is level all round and checking with a spirit level is required.

The base can be constructed by treated timber or concrete, in order to stop the moisture getting into the shed.

The shed is not designed to be built onto lawn directly. Also the ground will get muddy during rainy days.

If a concrete pad is made, it is important that it slopes towards the edges to prevent water ingress.

Time must be allowed for any concrete or cement to dry before building the shed on top.

Bases can also be constructed from bricks, blocks, or mounted on a concrete pad.

The bricks or blocks should be cemented onto firm and level concrete footings and the greenhouse frame drilled and screwed to the base.

IMPORTANT NOTES:

Find someone to help you: it is much easier for someone to hold parts, pass tool sect. Also, some steps require two people to lift structures together. This is not very heavy work so it would suit most able-bodied people.

Allow plenty of time: rushing often causes errors and the re-doing of incorrect assemblies. If you have never built a shed before, it can take most of a day to carefully complete the construction.

Have the right tools to hand.

Safety clothing was recommend in the 'Tools' section.

Ideally, let out the parts and check that all are present before commencing construction. Lay on cloths or plastic sheets if there is any risk of scratching the parts.

Tighten all the nuts carefully, being sure not to miss any. Check the frame is square and use a spirit level to check that it is upright.

For your safety ,please do not stand under the metal shed in heavy wind or snow days.

For safety, please use expansion screws to reinforce the posts to the ground.

Please clear the snow off the roof in time for the heavy snowfall.

Make sure all screws are tightened before use.

Repeat to confirm all screws, buckles and straps every 90 days.

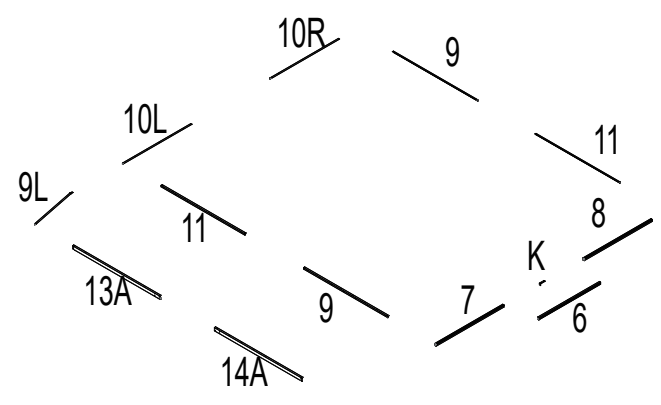
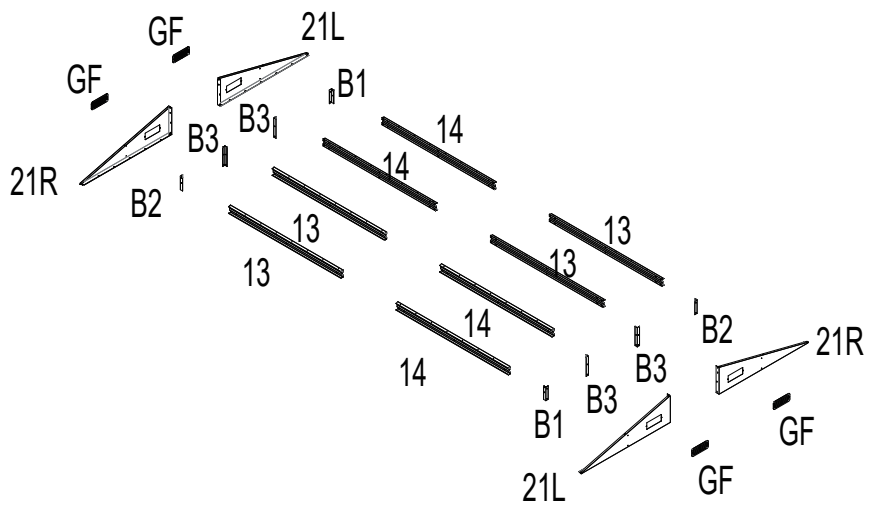
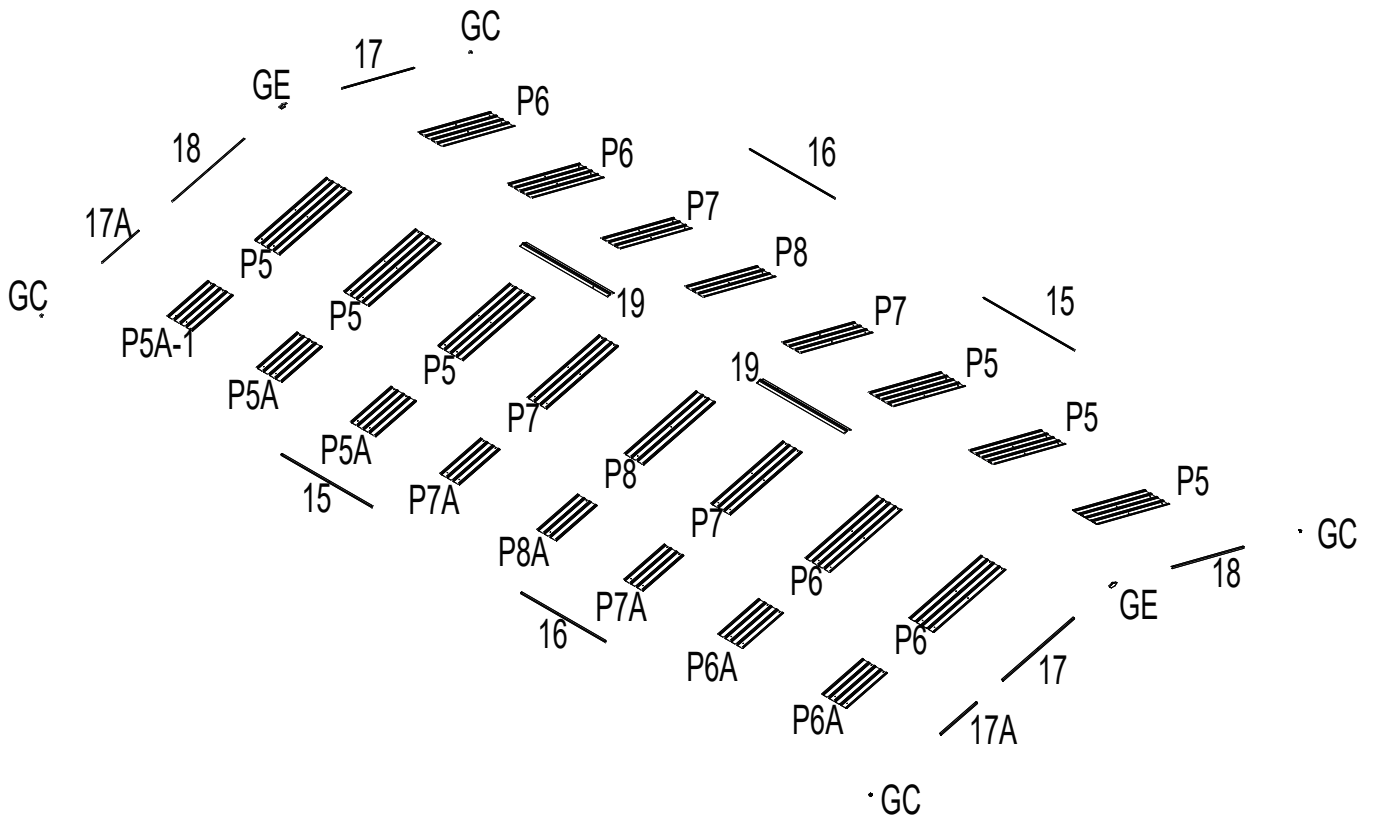
Please keep all screws loose during the assembly process and tighten them after completing the installation.

Do not use or store objects in the Metal Shed with open flames or flammable chemicals.









Please note that some parts have sharp edges and should be handled with gloves.








If any parts are missing, broken, damaged or worn, discontinue use of the product until repairs are made or factory replacement parts are installed.

Installation of the product in a manner that does not conform to the manufacturer's instructions may result in the loss of the warranty policy for this product.














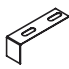

















PARTS LIST 1/3

NO.	PART	Qty.
D1		1
D2		1
20		4
15		2
16		2
17		2
18		2
17A		2












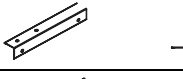
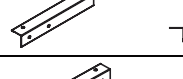

NO.	PART	Qty.
P3		14
P3L		2
P1		2
P1L		1
P2L		1
25L		1
25R		1




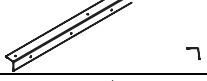










PARTS LIST 2/3

NO.	PART	Qty.
P1B		2
P2		2
P2A		2
P5		6
P6		4
P7		4
P8		2
P5A		2
P5A-1		1
P6A		2
P7A		2
P8A		1
GF		4
K		1

NO.	PART	Qty.
21L		2
21R		2
6		1
19		2
G2		4
F1		510
F2		95
F3		4
S2		508
S1		180
M5		6
GB		2
GC		4
GD		4
GE		2

PARTS LIST 3/3

NO.	PART	Qty.
1		2
2		2
3L		1
3R		1
4L		1
4R		1
5		1
13		4
14		4
13A		1
14A		1
B1		2
B2		2
B3		4

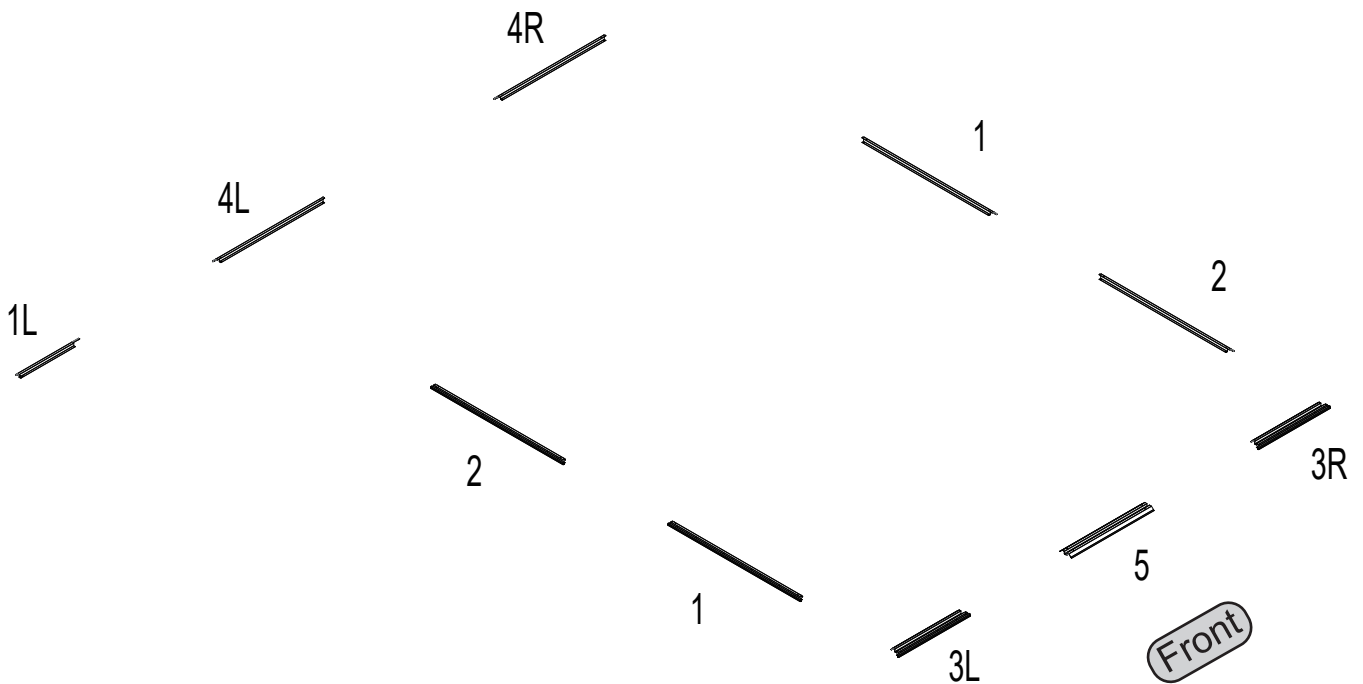
NO.	PART	Qty.
24L		1
24R		1
9		2
11		2
22		2
23		2
27		2
7		1
8		1
H1		1
H2		1
H6		1
1L		1
9L		1

Base Exploded View

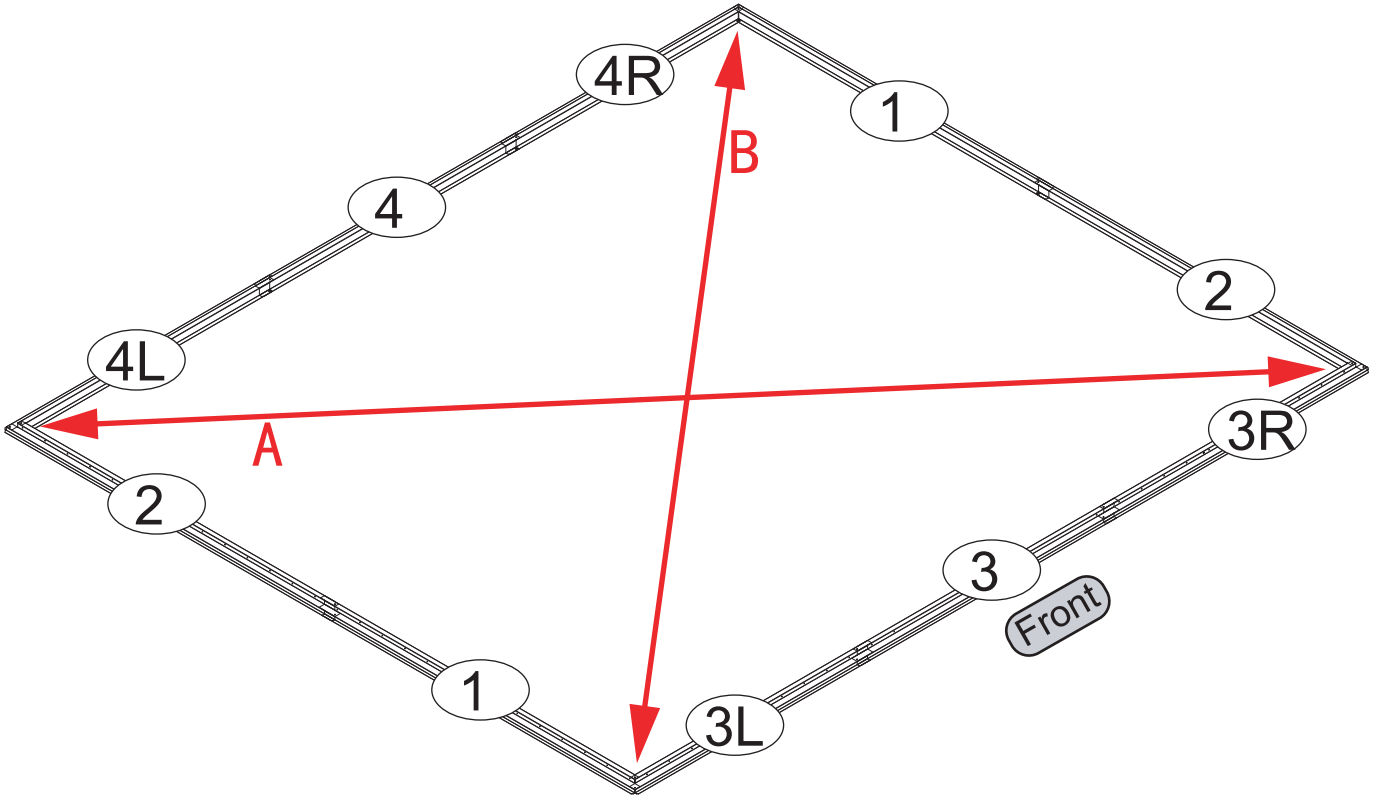
Before installation, please place the parts in the position as shown in the figure below.

Shed base	
No.	Qty.
1	2
2	2
3	1
3L	1
3R	1
4L	1
4R	1
4	1
1L	1

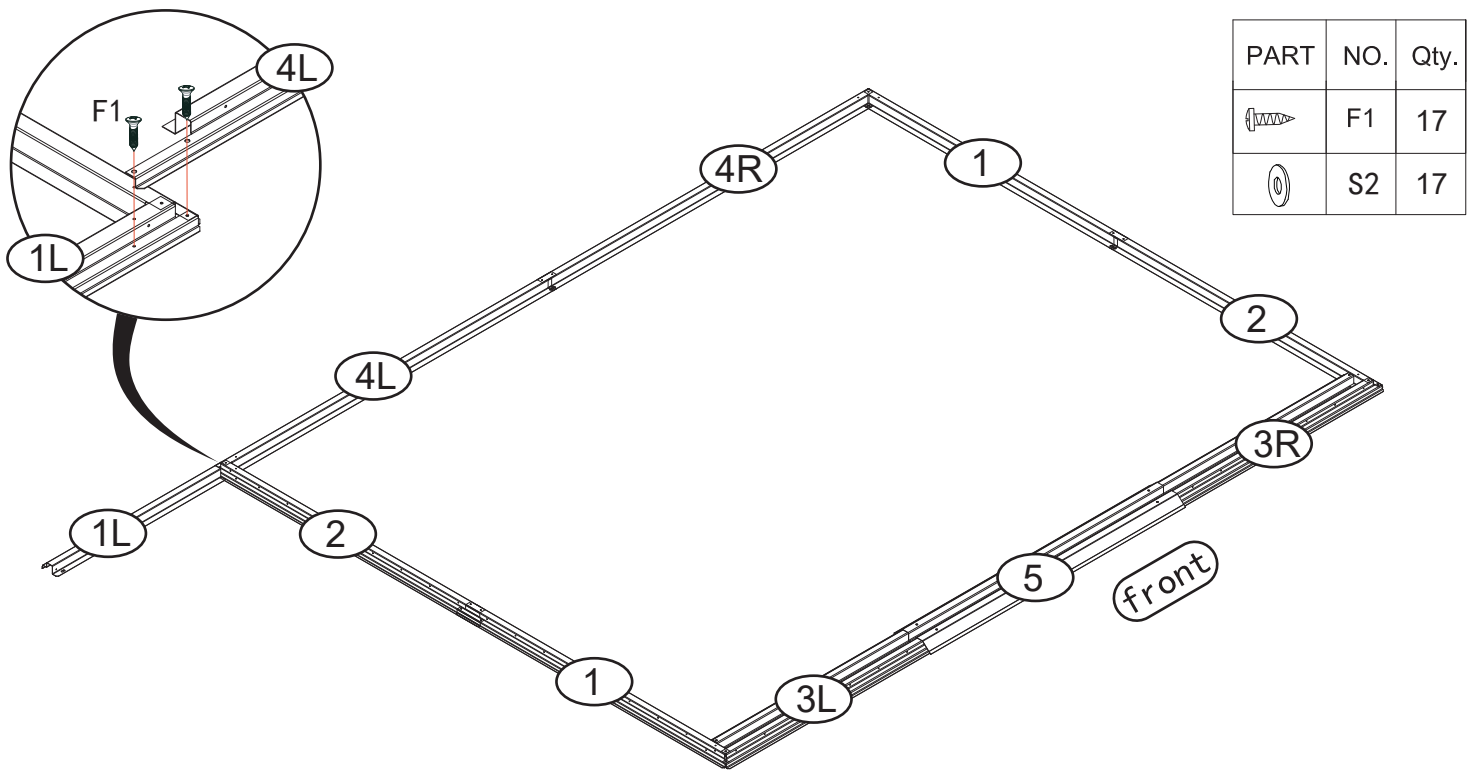
It's best to pre-locate and lay out all the profiles on the ground before proceeding with the installation.



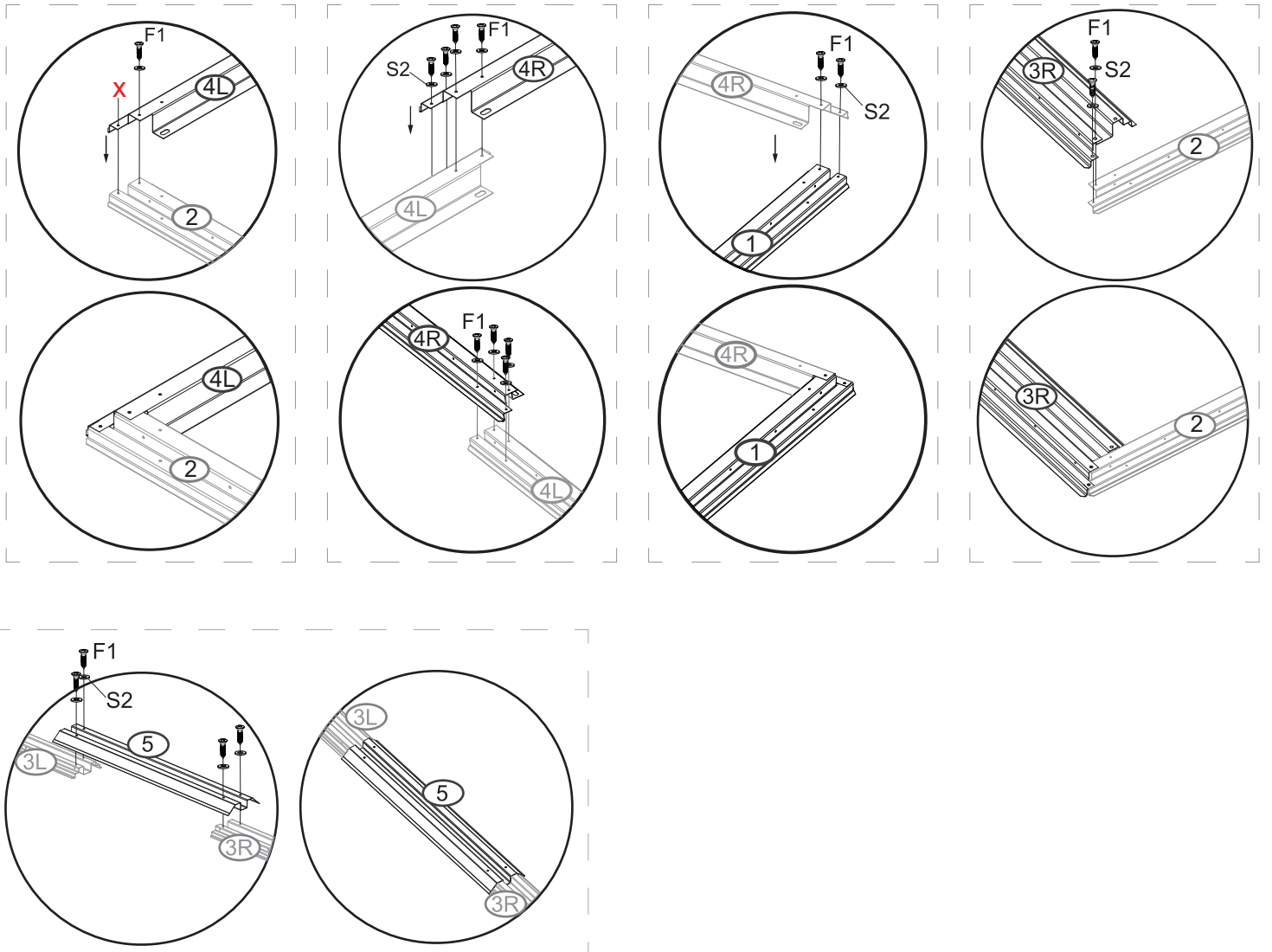
A=B

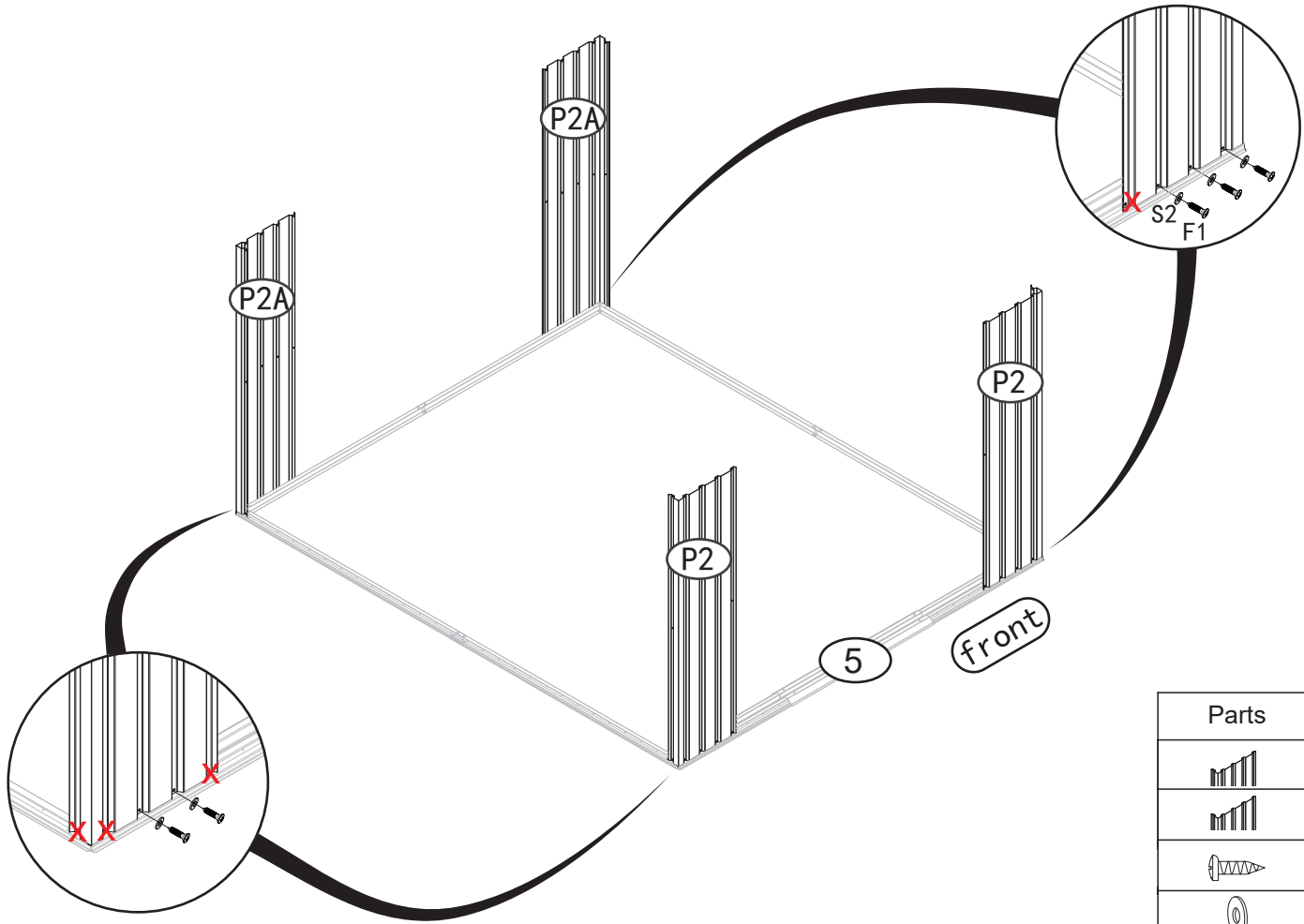


Attention! After the foundation is installed, use a tape measure to check the diagonal lines to ensure the angles are consistent. This will prevent the foundation from being skewed, which could cause issues during later installations.

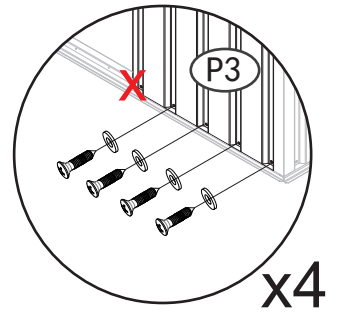
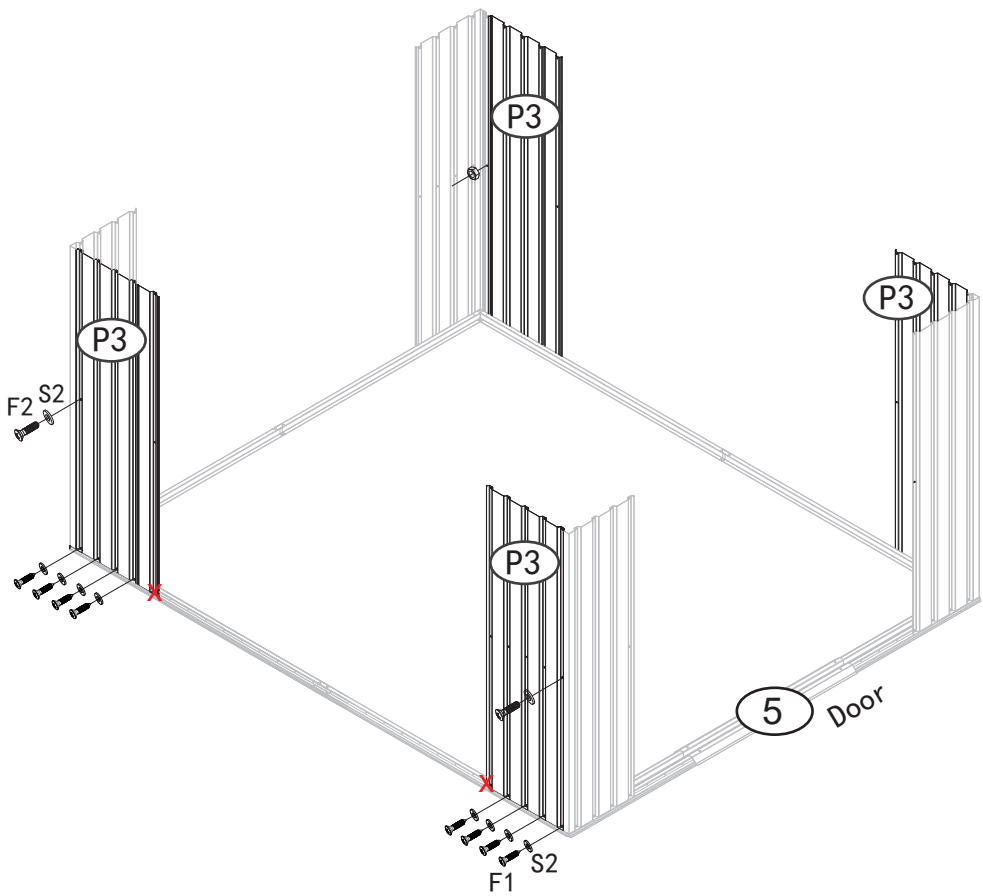


The installation steps diagram behind will temporarily not display 1L

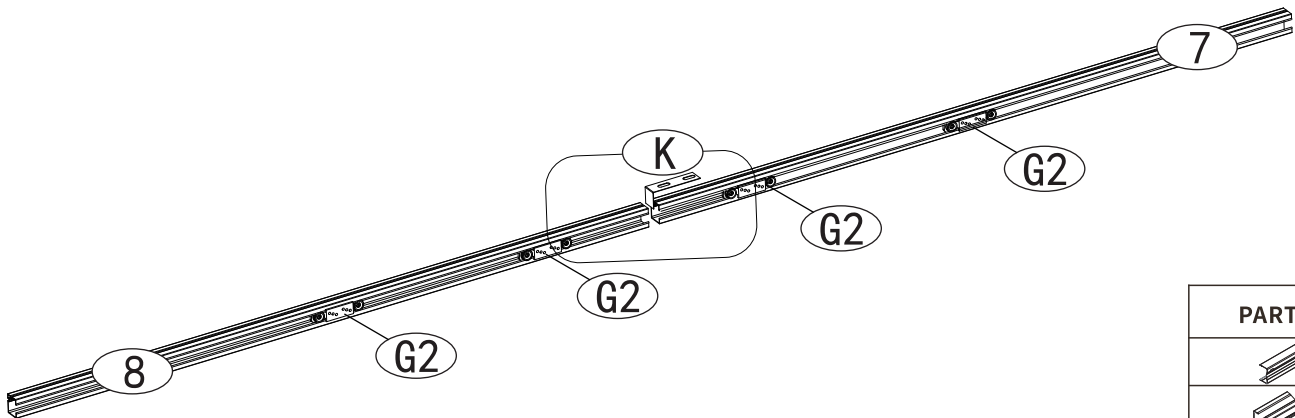
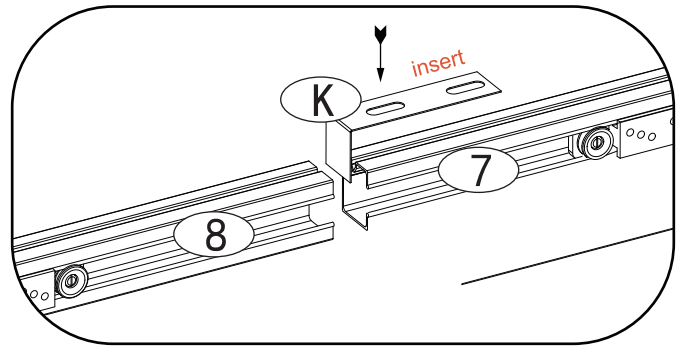
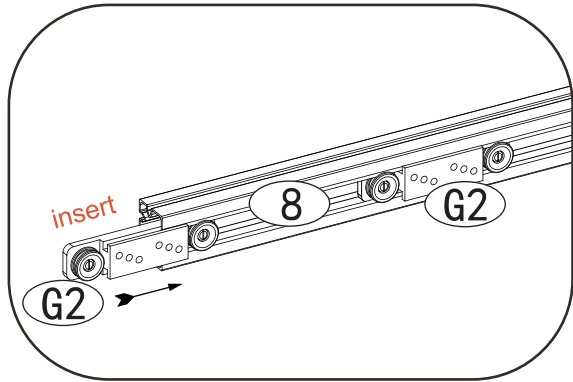
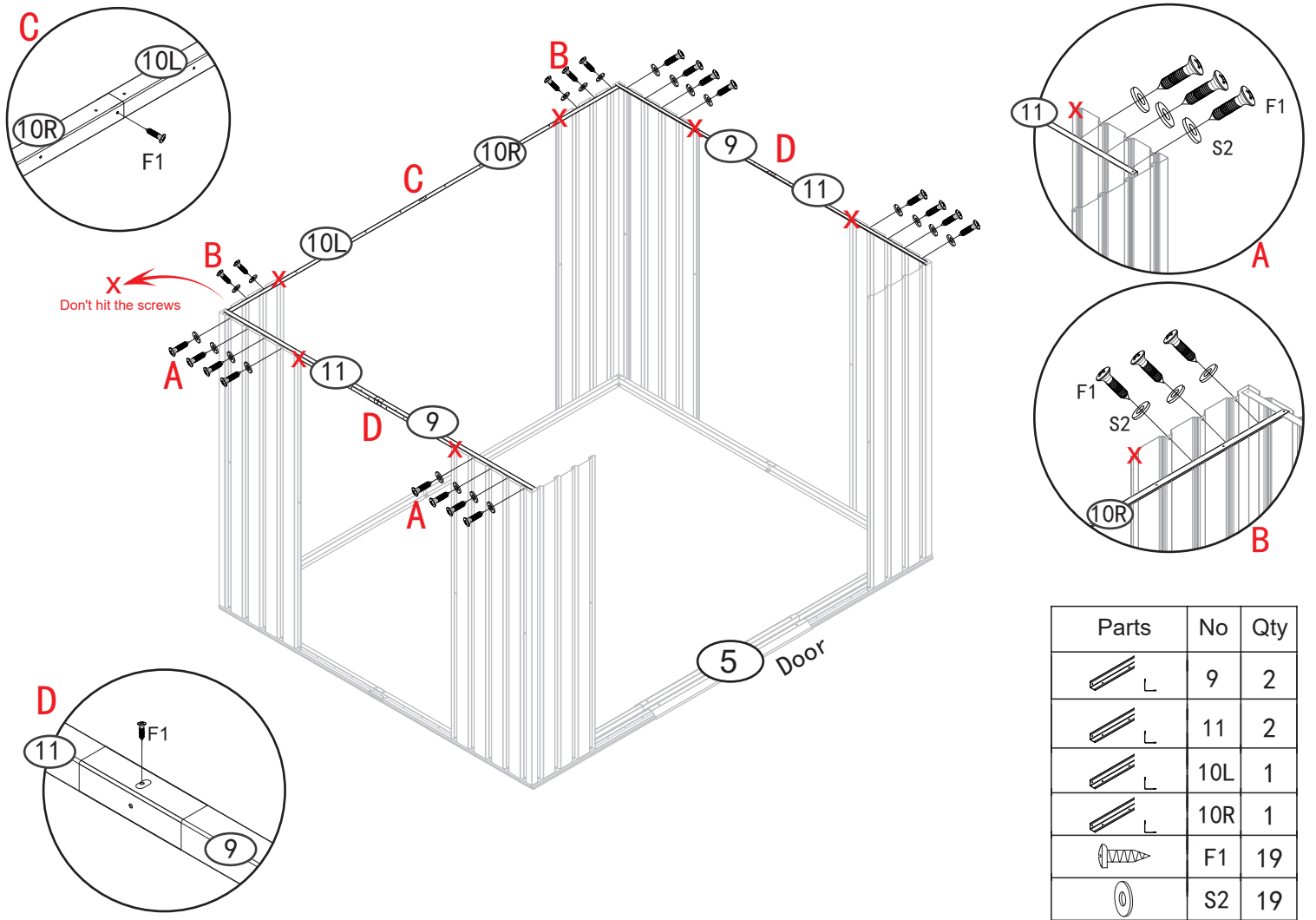




Parts	No	Qty
	P2	2
	P2A	2
	F1	10
	S2	10

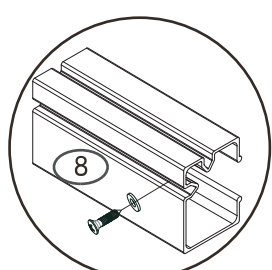
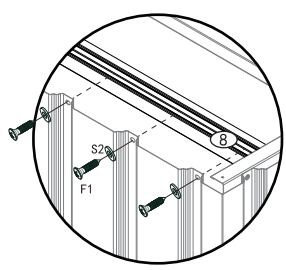
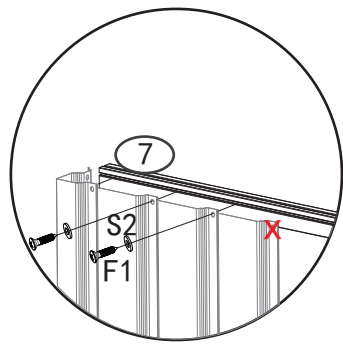
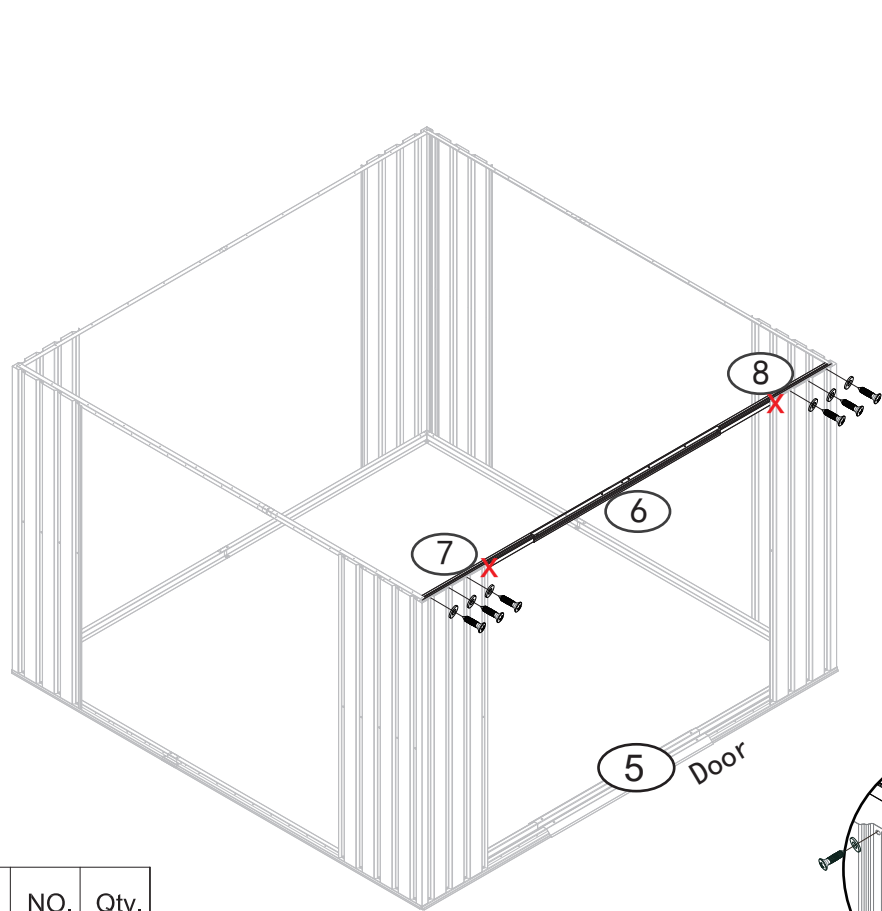
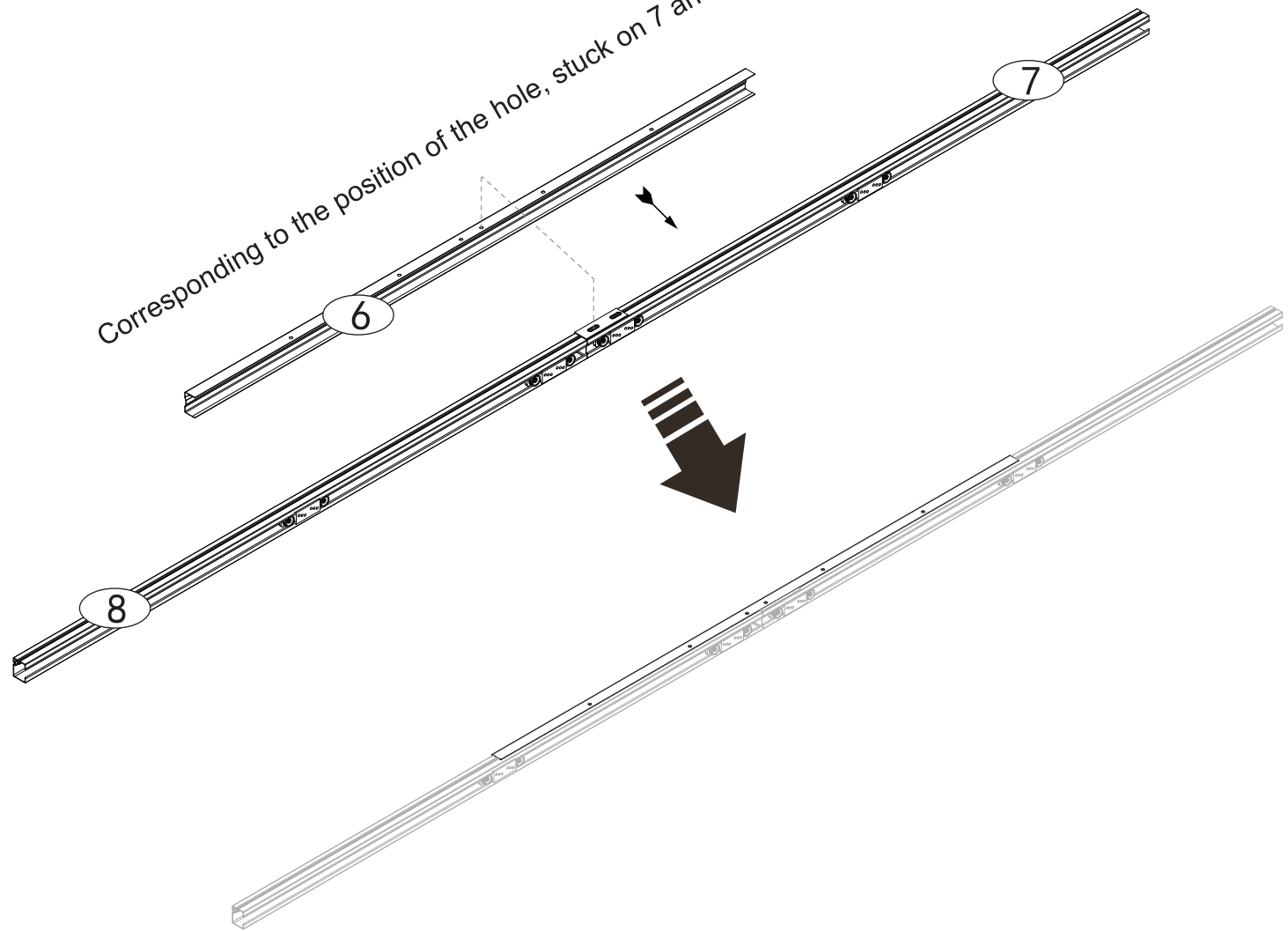




Parts	No	Qty
	P3	4
	F2	4
	F1	16
	S2	20

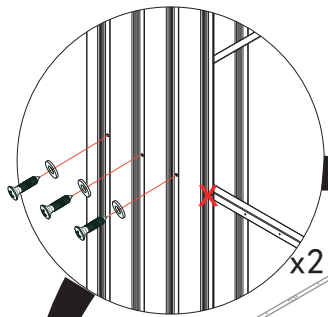


PART	NO.	Qty.
	6	1
	7	1
	8	1
	G2	4
	K	1

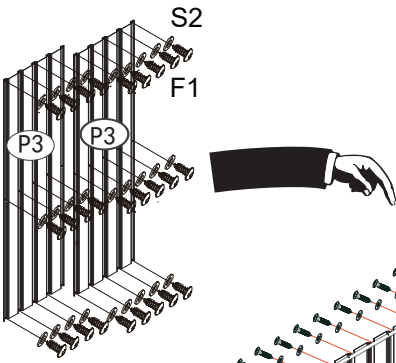
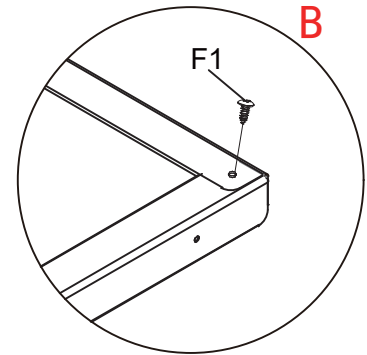
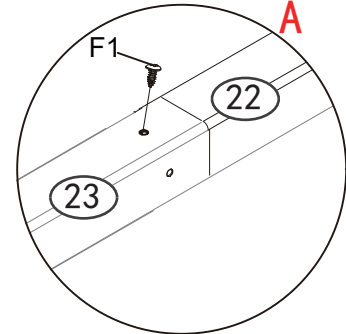
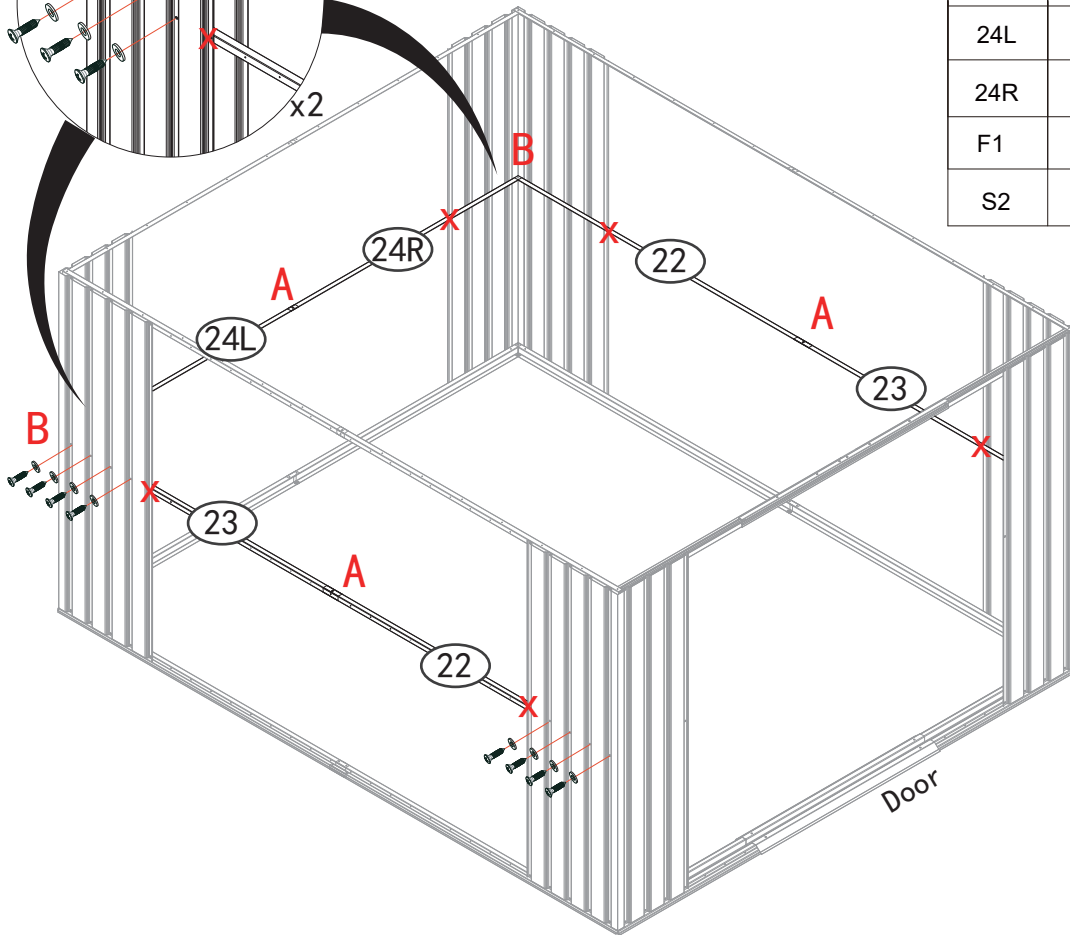
Corresponding to the position of the hole, stuck on 7 and 8.



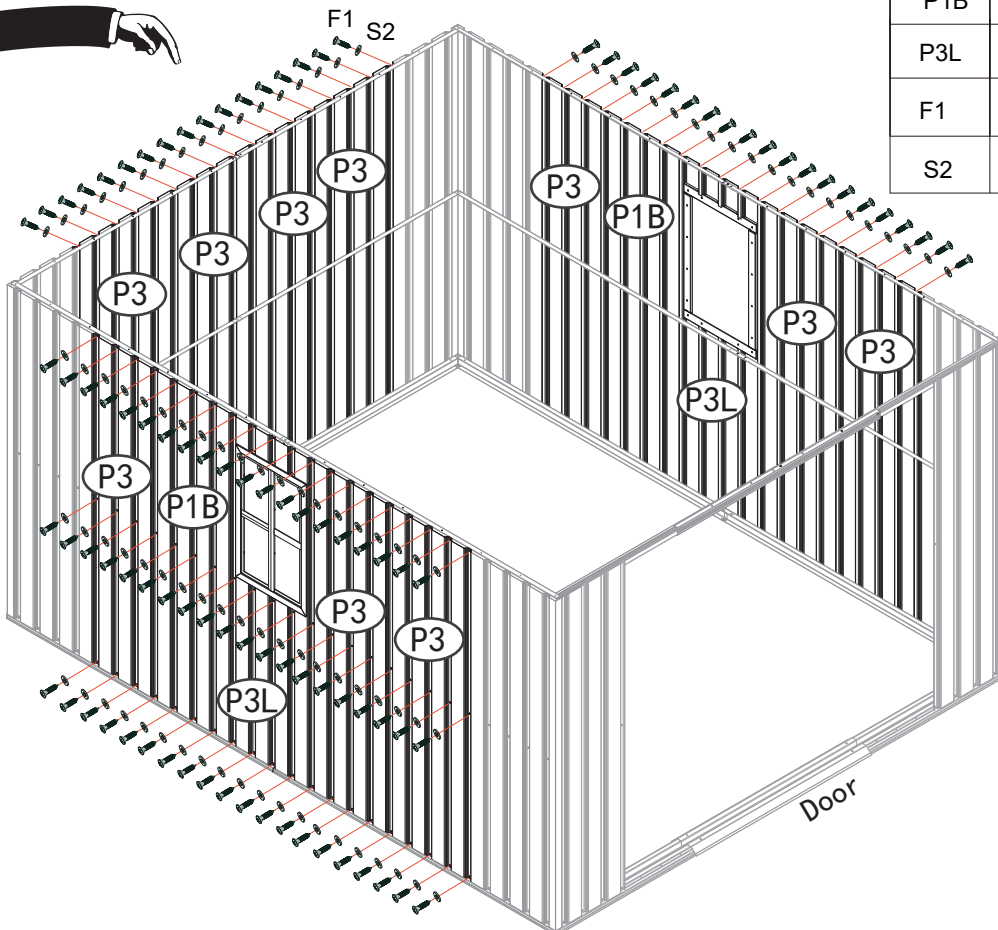
PART	NO.	Qty.
	F1	5
	S2	5







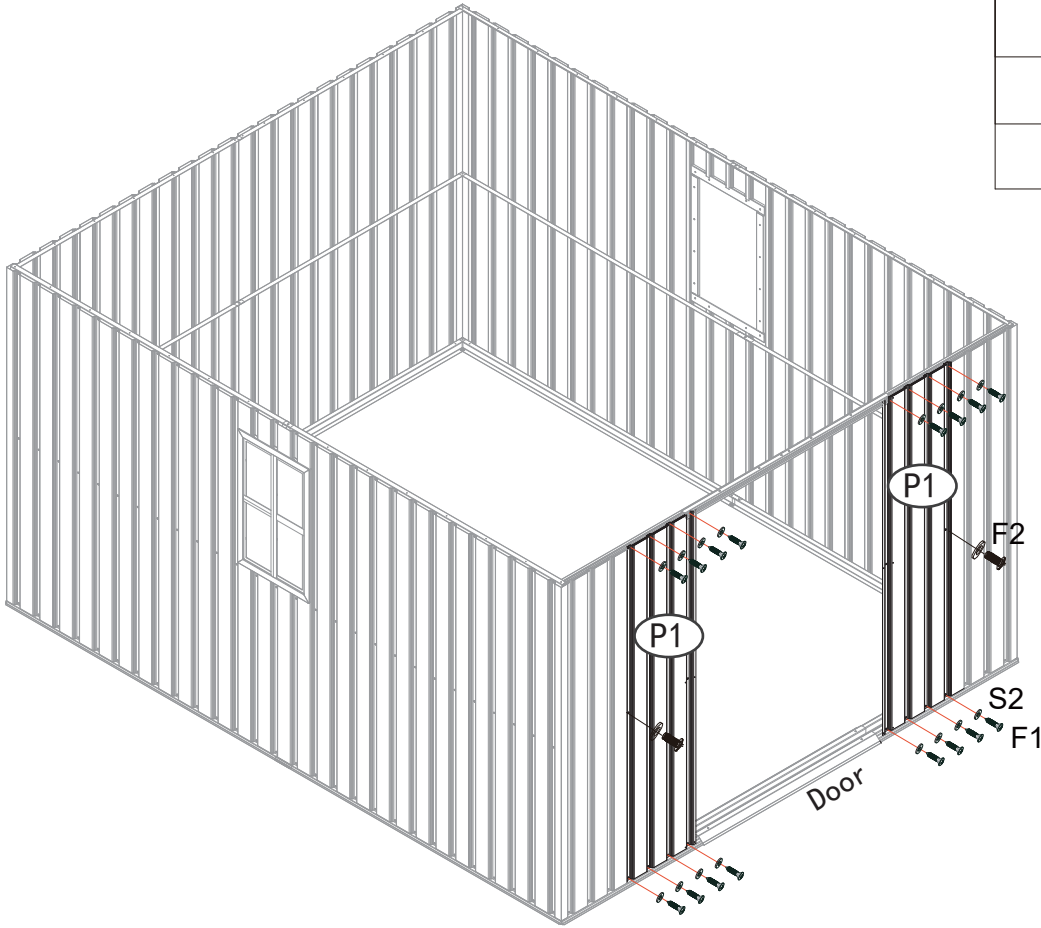
NO.	PART	Qty.
22		1
23		1
24L		1
24R		1
F1		25
S2		22







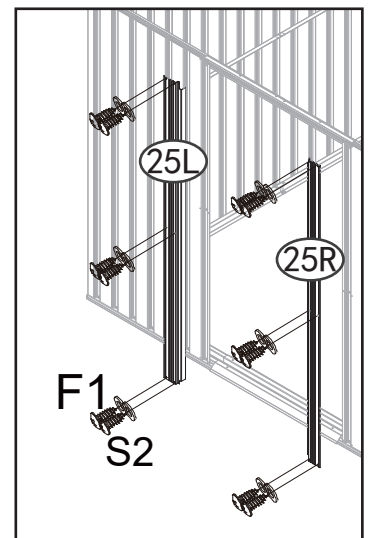
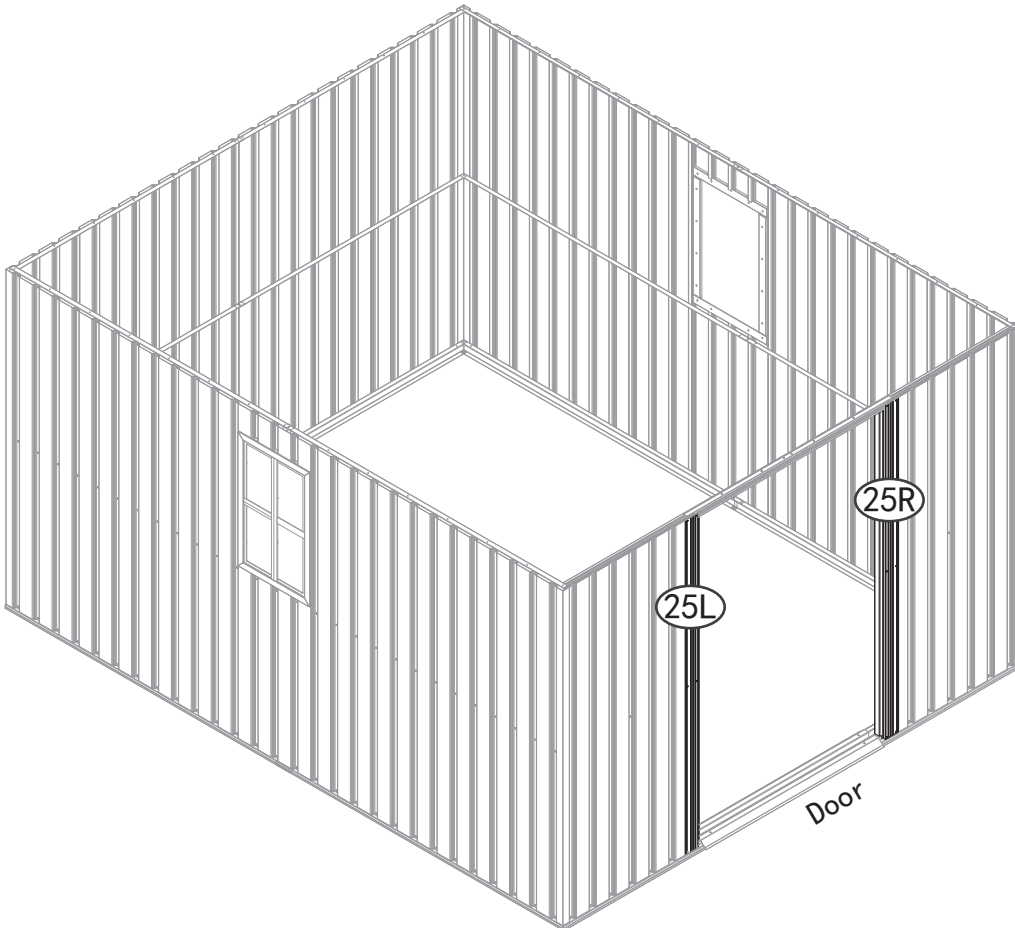
NO.	PART	Qty.
P3		10
P1B		2
P3L		2
F1		171
S2		171



NO.	PART	Qty.
P1		2
F1		16
F2		2
S2		18



NO.	PART	Qty.
25L		1
25R		1
F1		12
S2		12

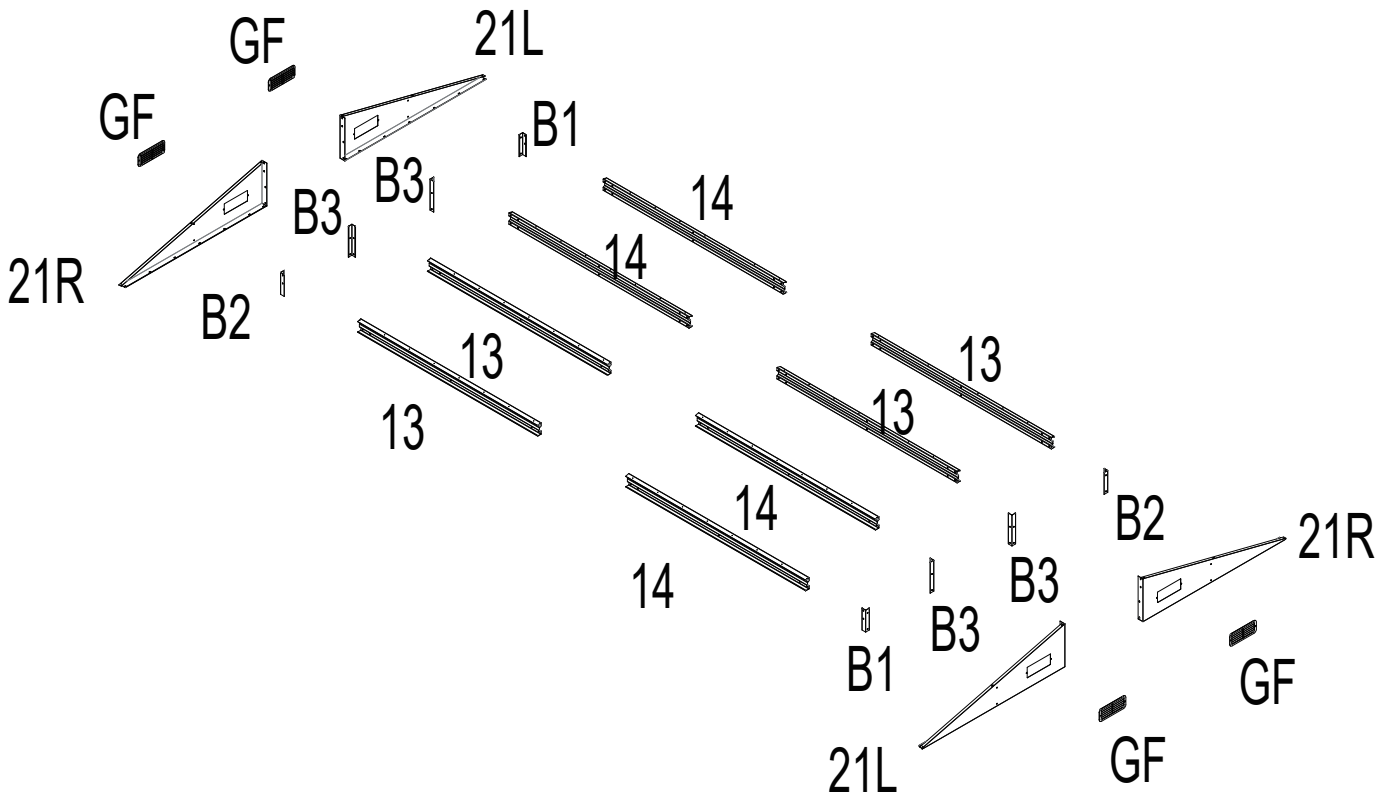









Triangular Panel Exploded View

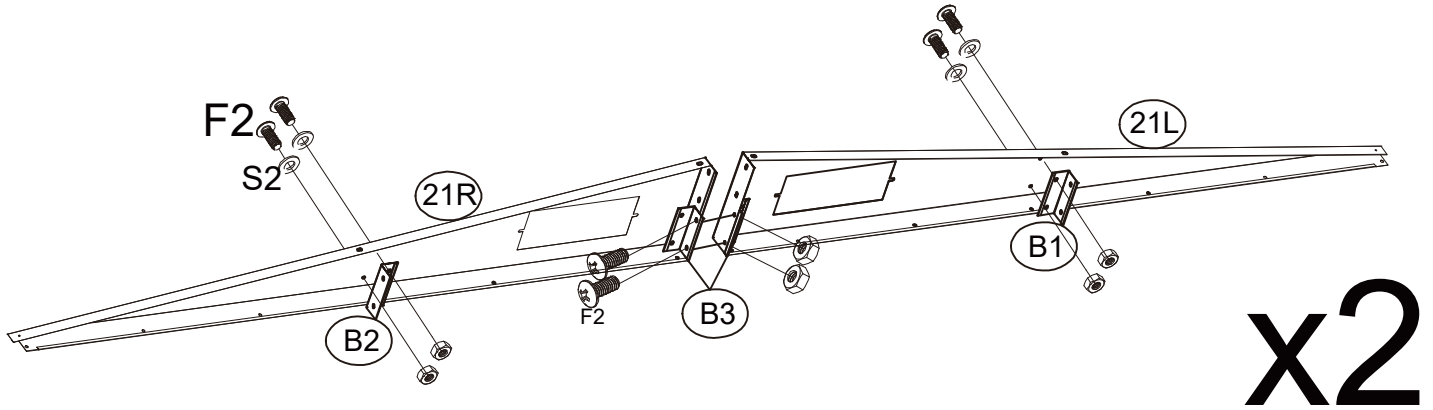
Before installation, please place the parts in the position as shown in the figure below.

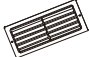


Shed top frame	
No.	Qty.
B1	2
B2	2
B3	4
21L	2
21R	2
13	4
14	4
GF	4

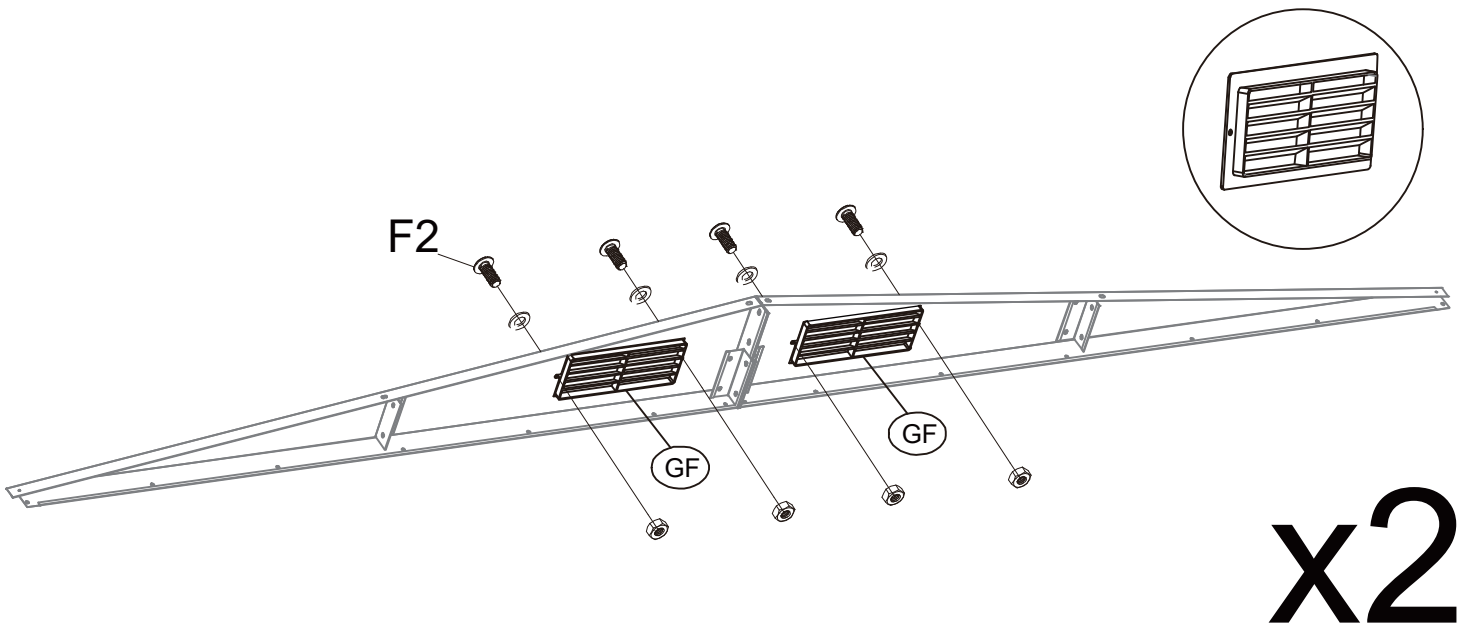
It's best to pre-locate and lay out all the profiles on the ground before proceeding with the installation.

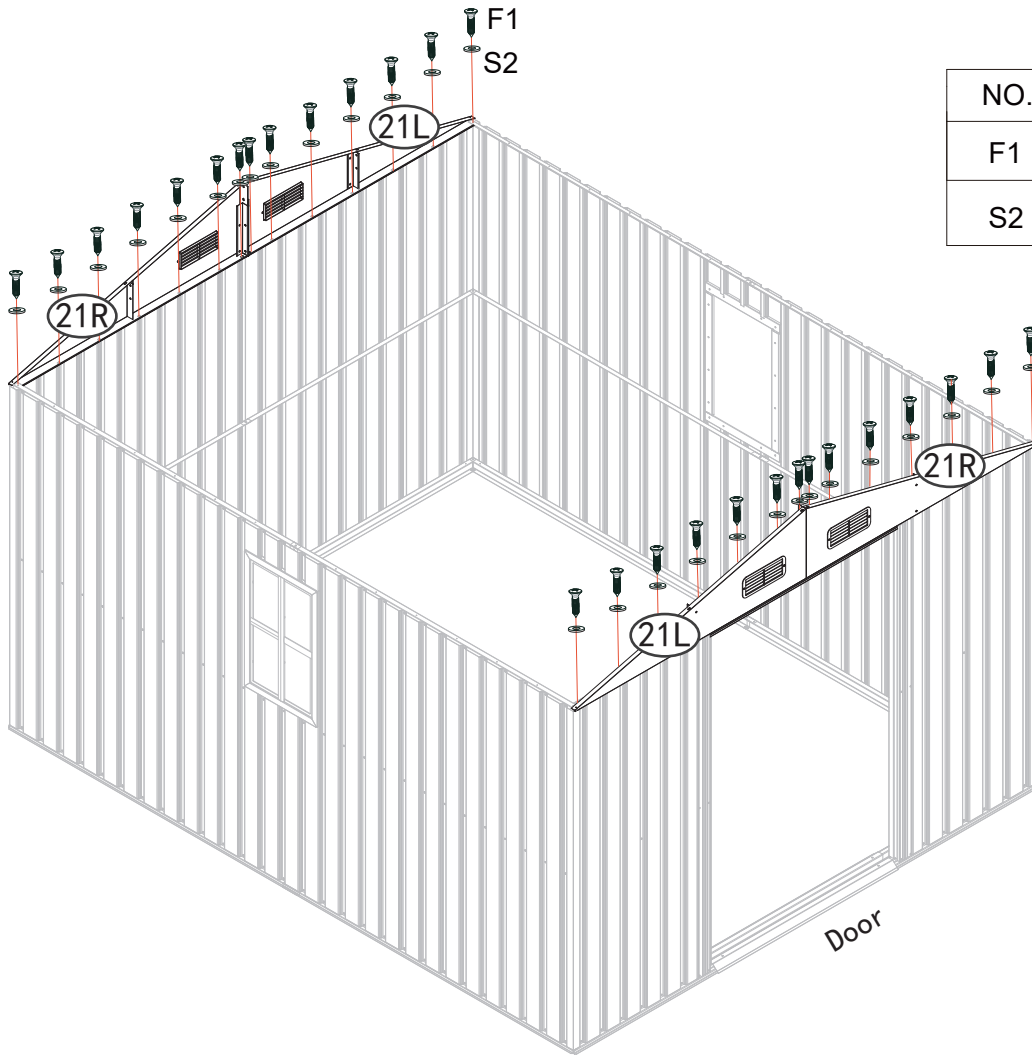



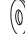
NO.	PART	Qty.
21L		2
21R		2
B1		2
B2		2
B3		4
F2		12
S2		12






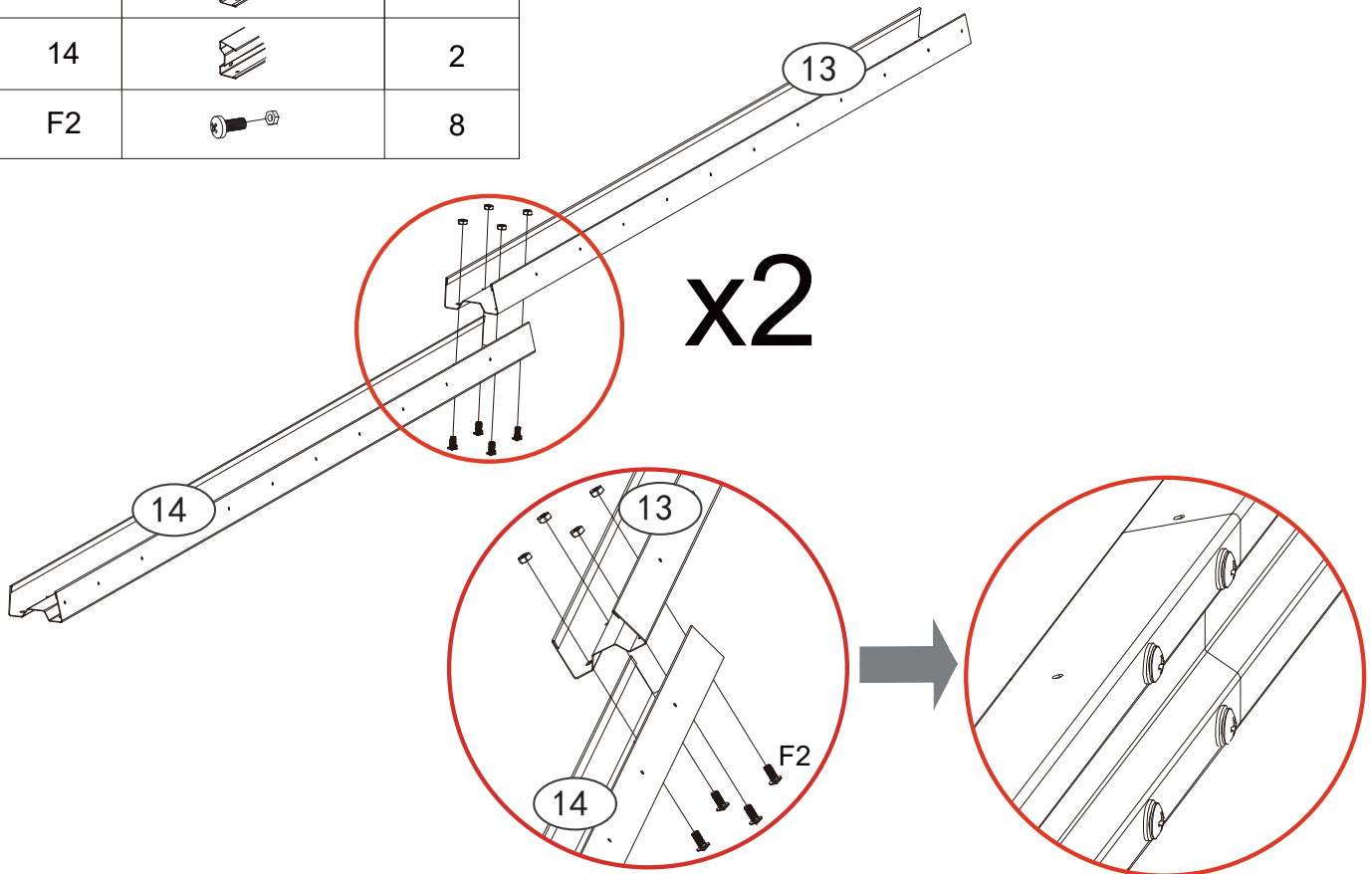
NO.	PART	Qty.
GF		4
F2		8
S2		8


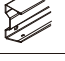



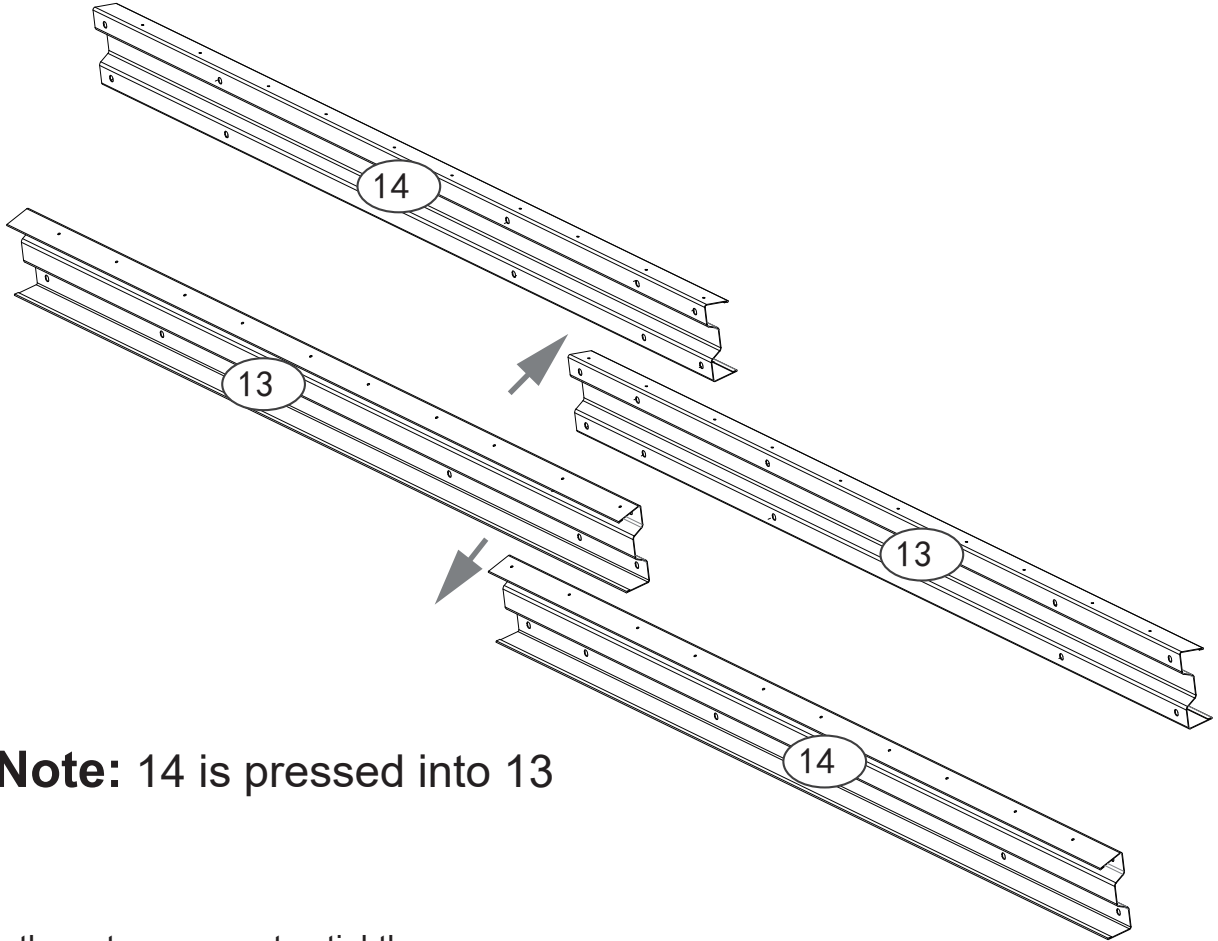


NO.	PART	Qty.
F1		28
S2		28

NO.	PART	Qty.
13		2
14		2
F2		8

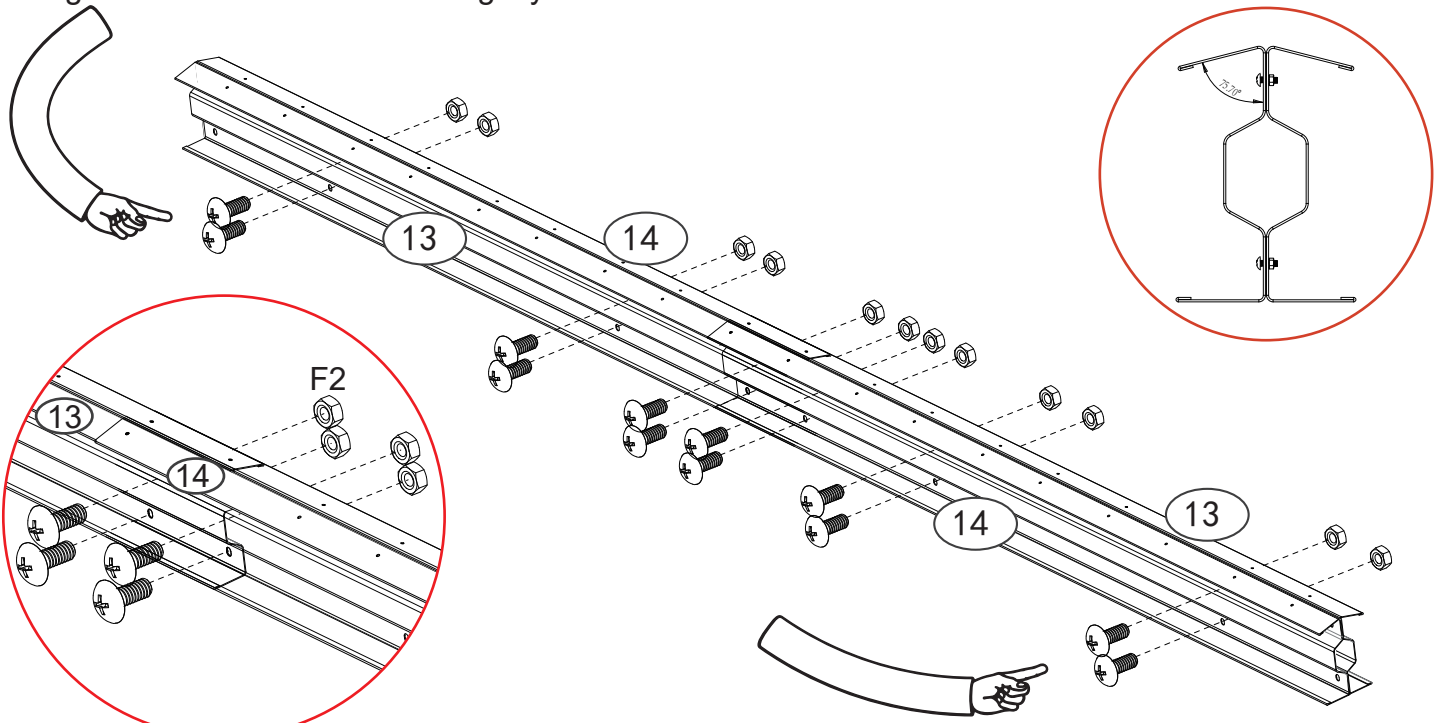


NO.	PART	Qty.
13		2
14		2
F2		12



Note: 14 is pressed into 13

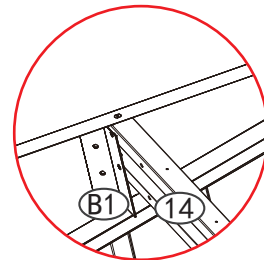
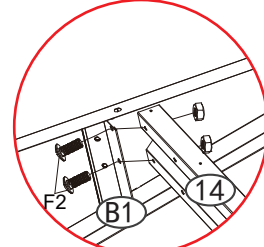
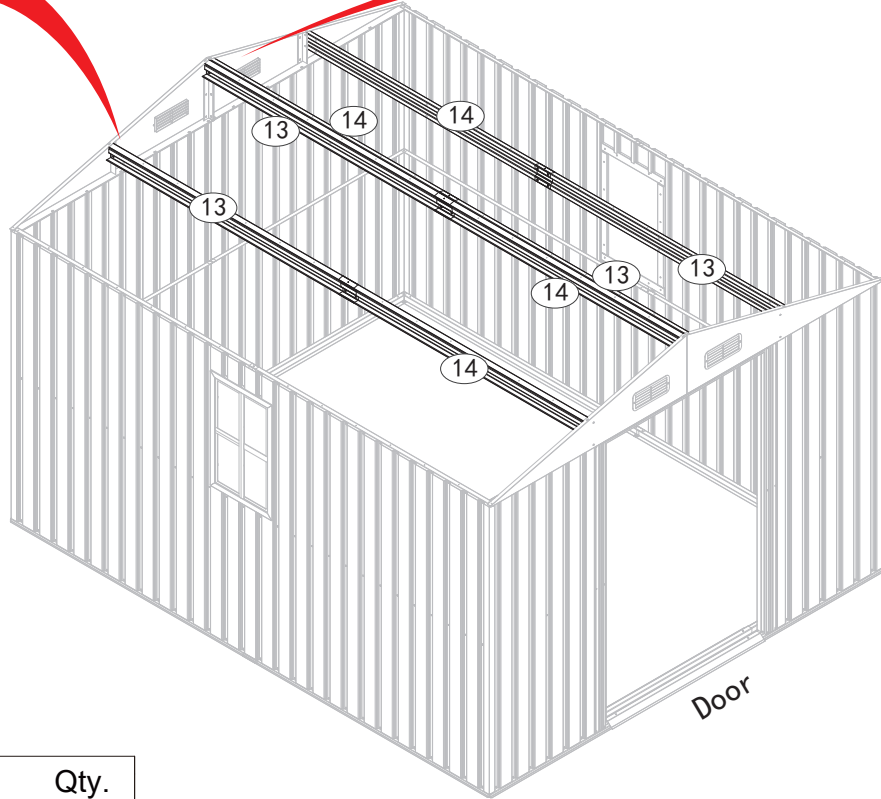
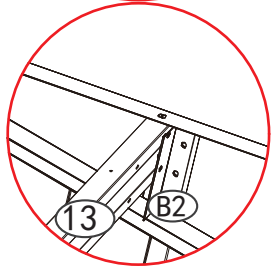
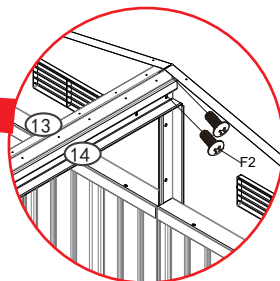
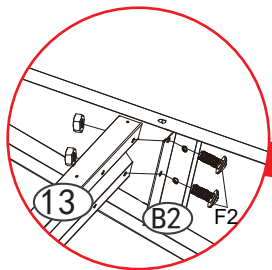
Don't tighten these two screws too tightly




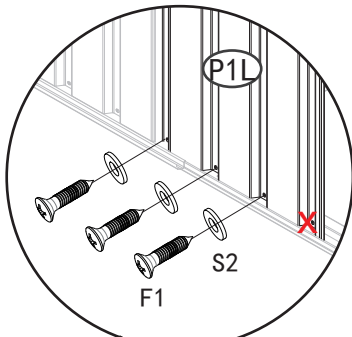
Don't tighten these two screws too tightly




Attention! When installing the beam, the two ends of the beam must have holes near the outermost side.

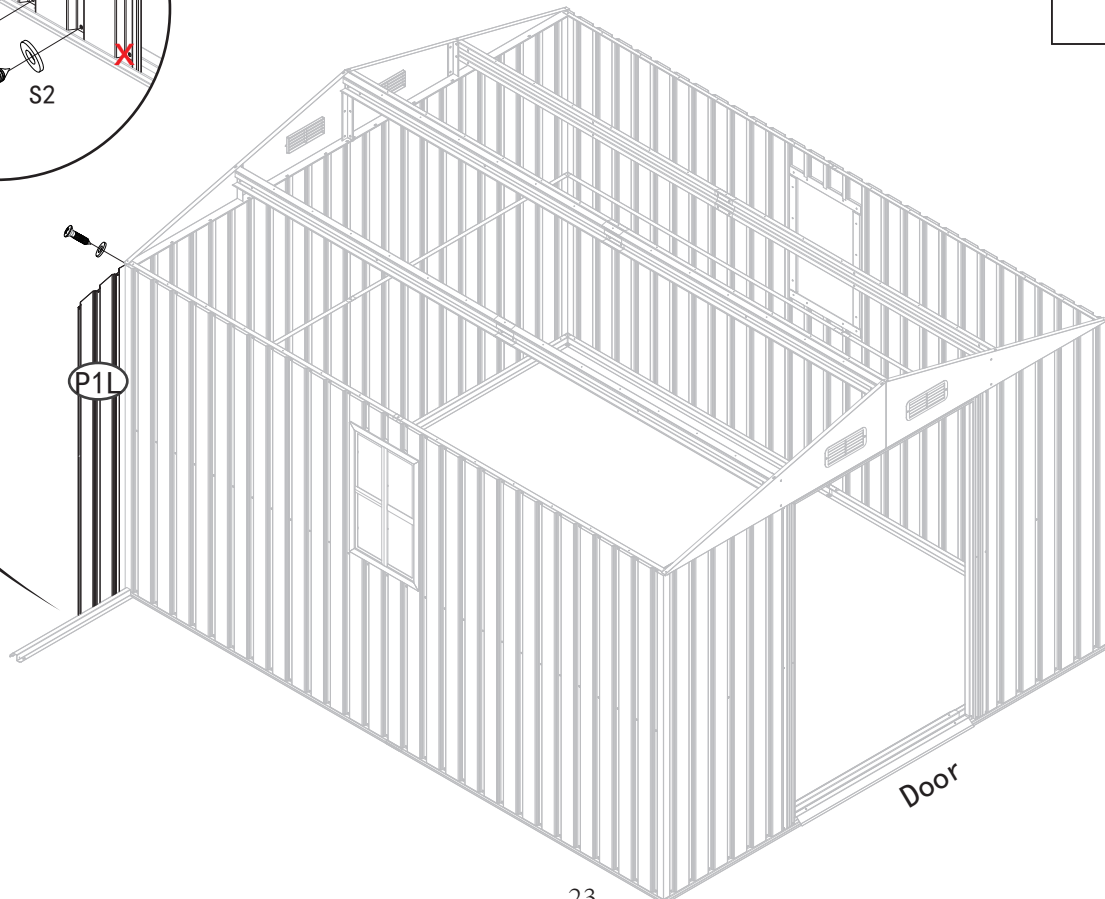
Tighten all screws

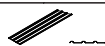





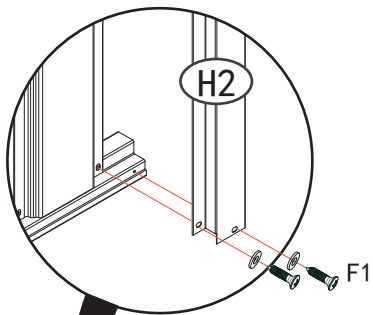
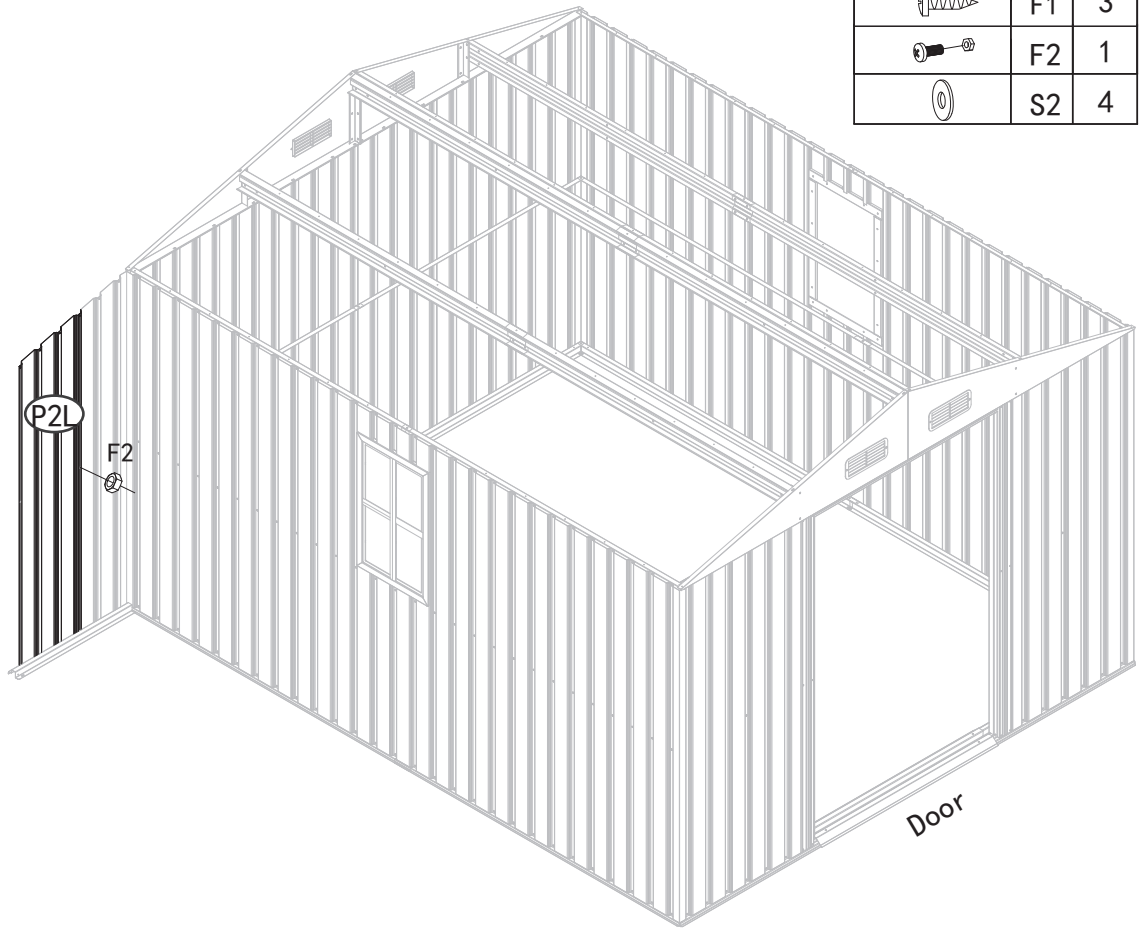
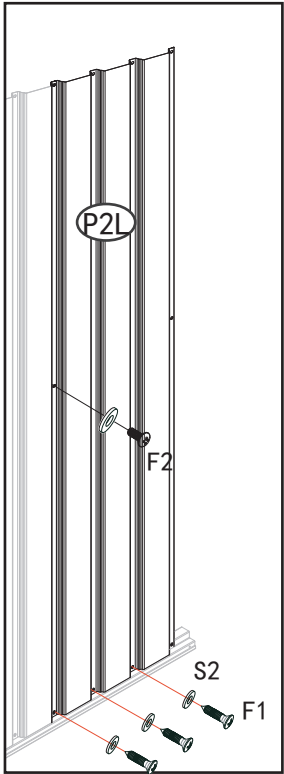
NO.	PART	Qty.
F2		12






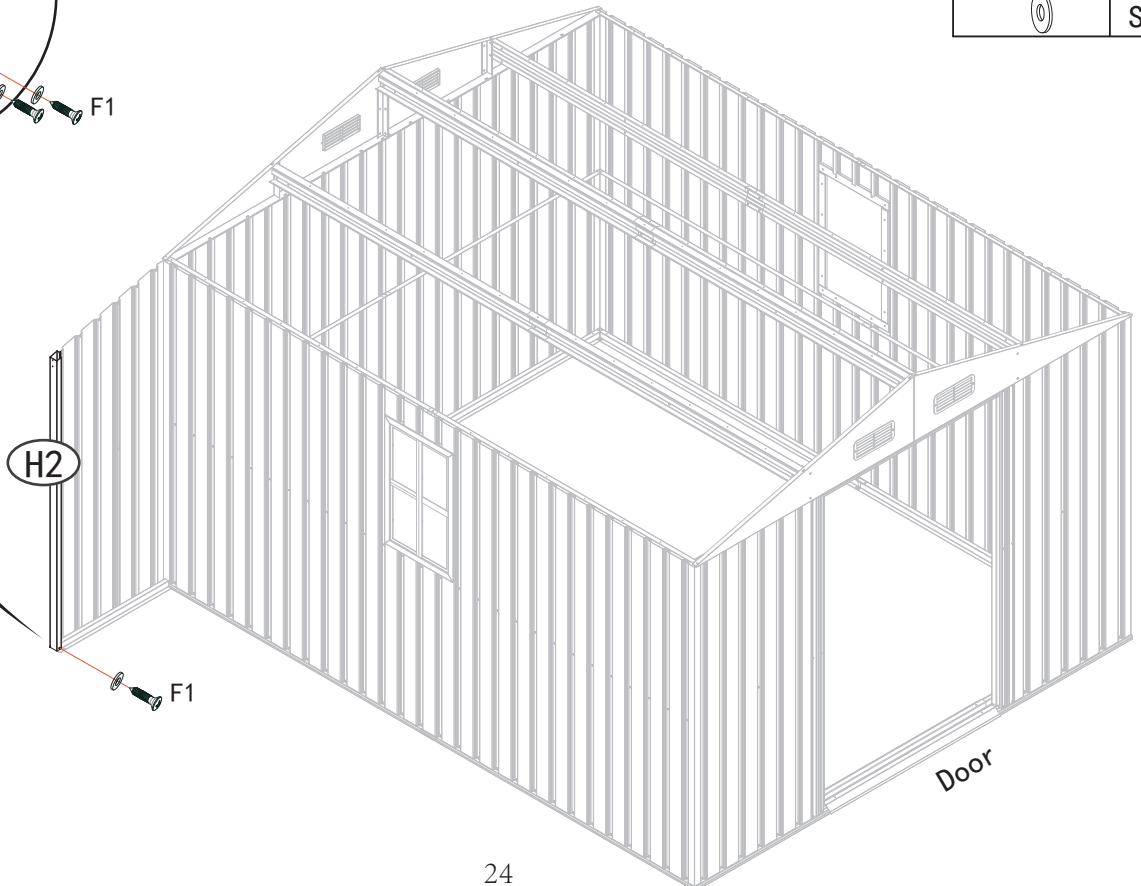
PART	NO.	Qty.
	P1L	1
	F1	3
	S2	3






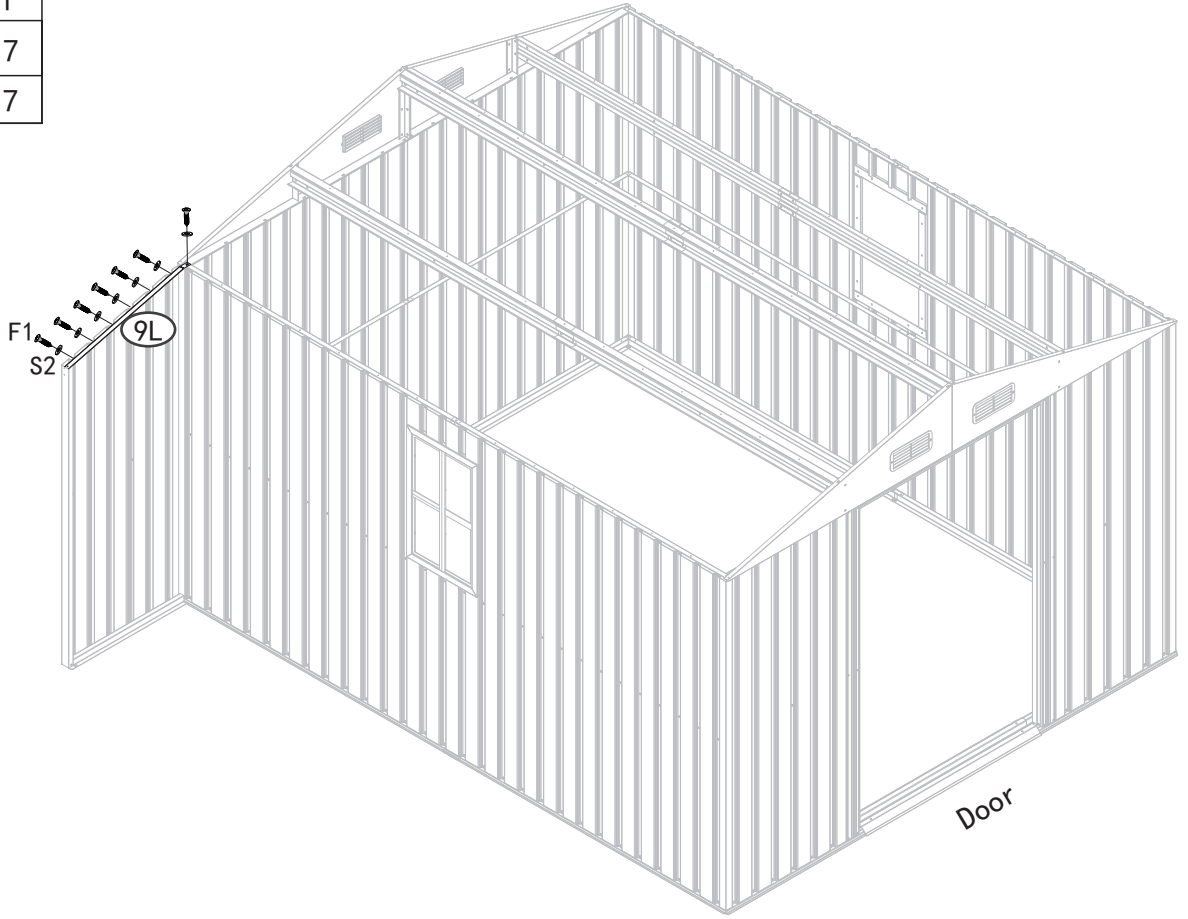
PART	NO.	Qty.
	P2L	1
	F1	3
	F2	1
	S2	4

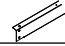
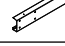



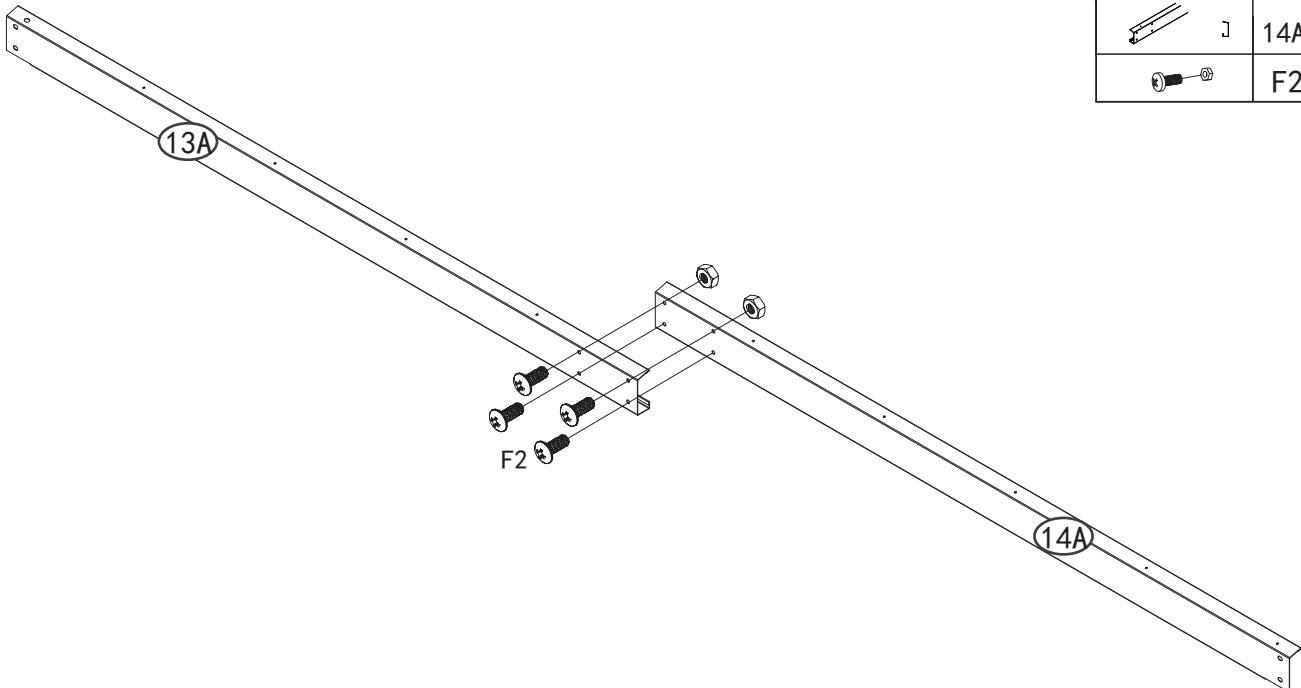
PART	NO.	Qty.
	H2	1
	F1	3
	S2	3






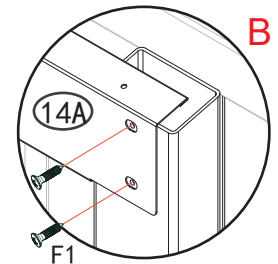
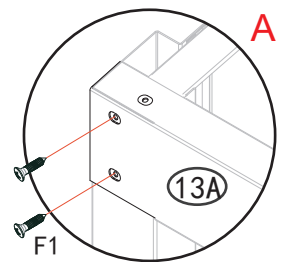
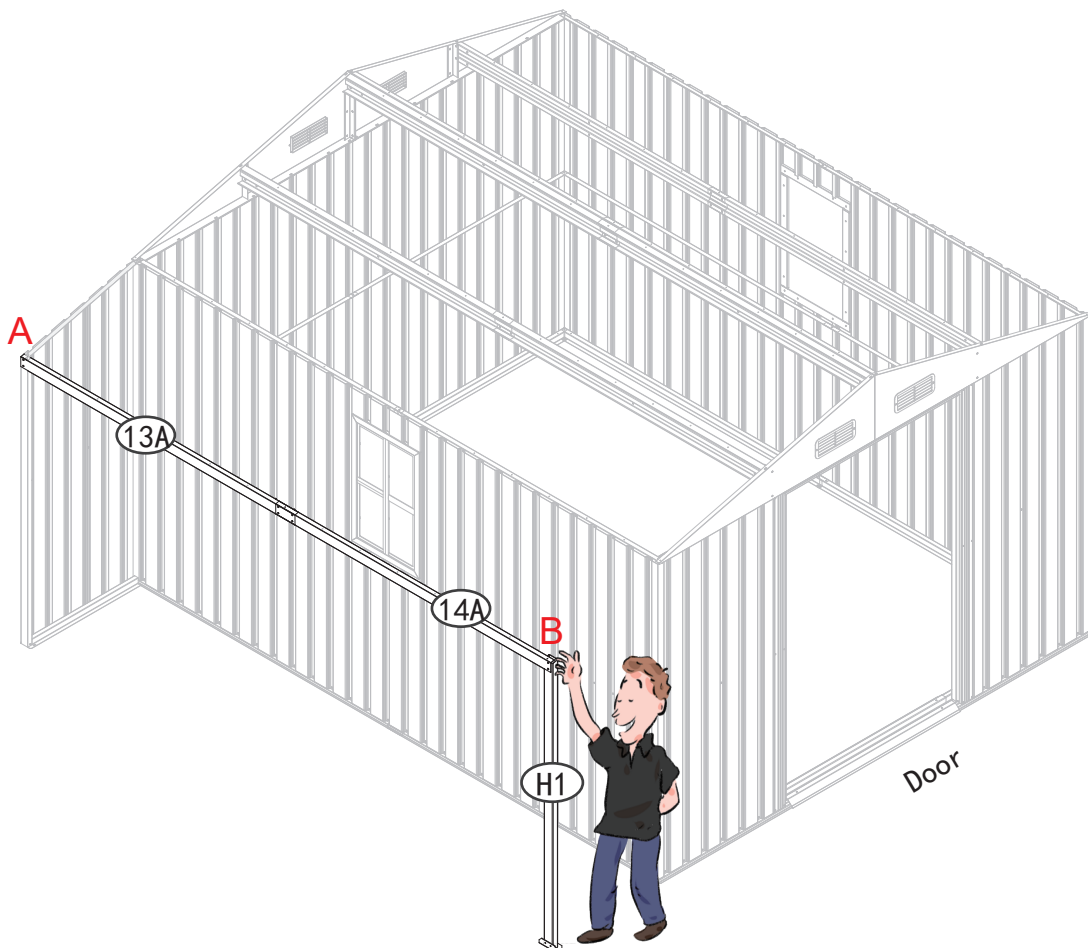
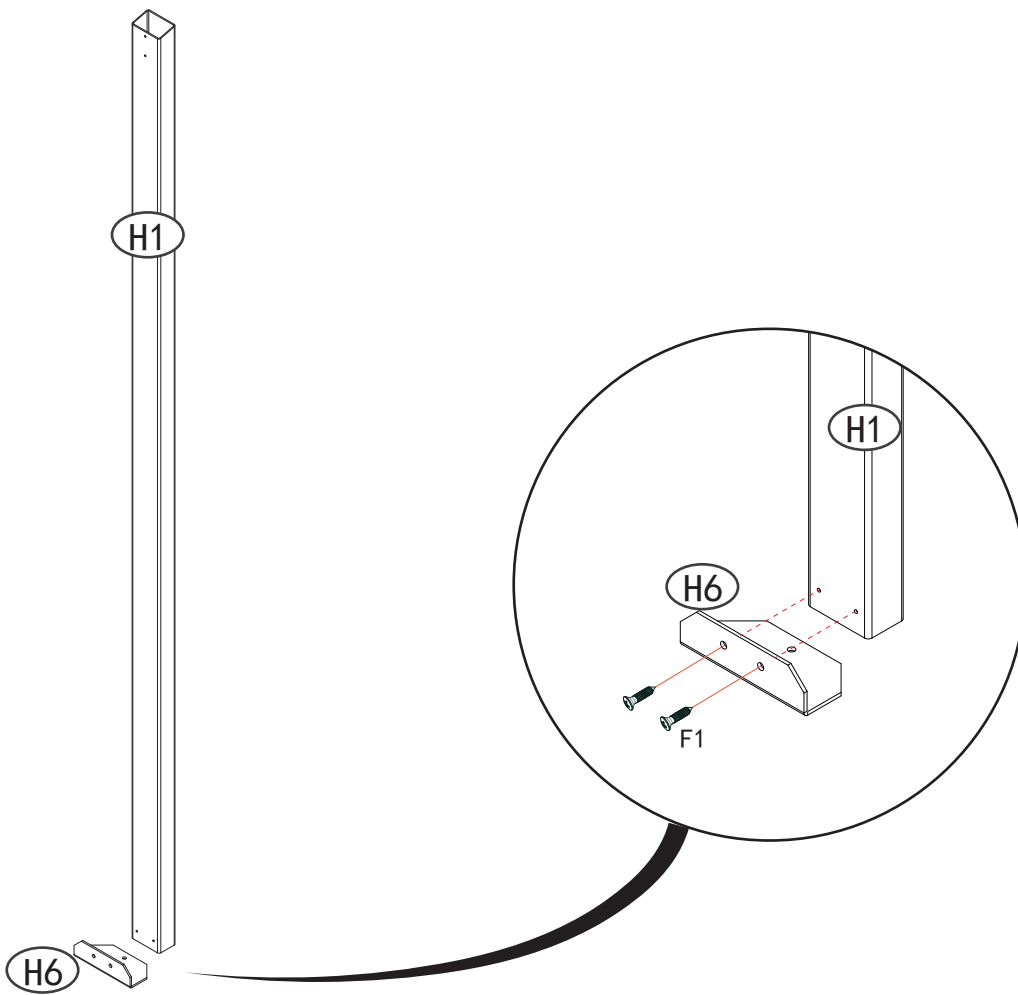
PART	NO.	Qty.
	9L	1
	F1	7
	S2	7




PART	NO.	Qty.
	13A	1
	14A	1
	F2	4



PART	NO.	Qty.
	H1	1
	H6	1
	F1	2



PART	NO.	Qty.
	F1	4

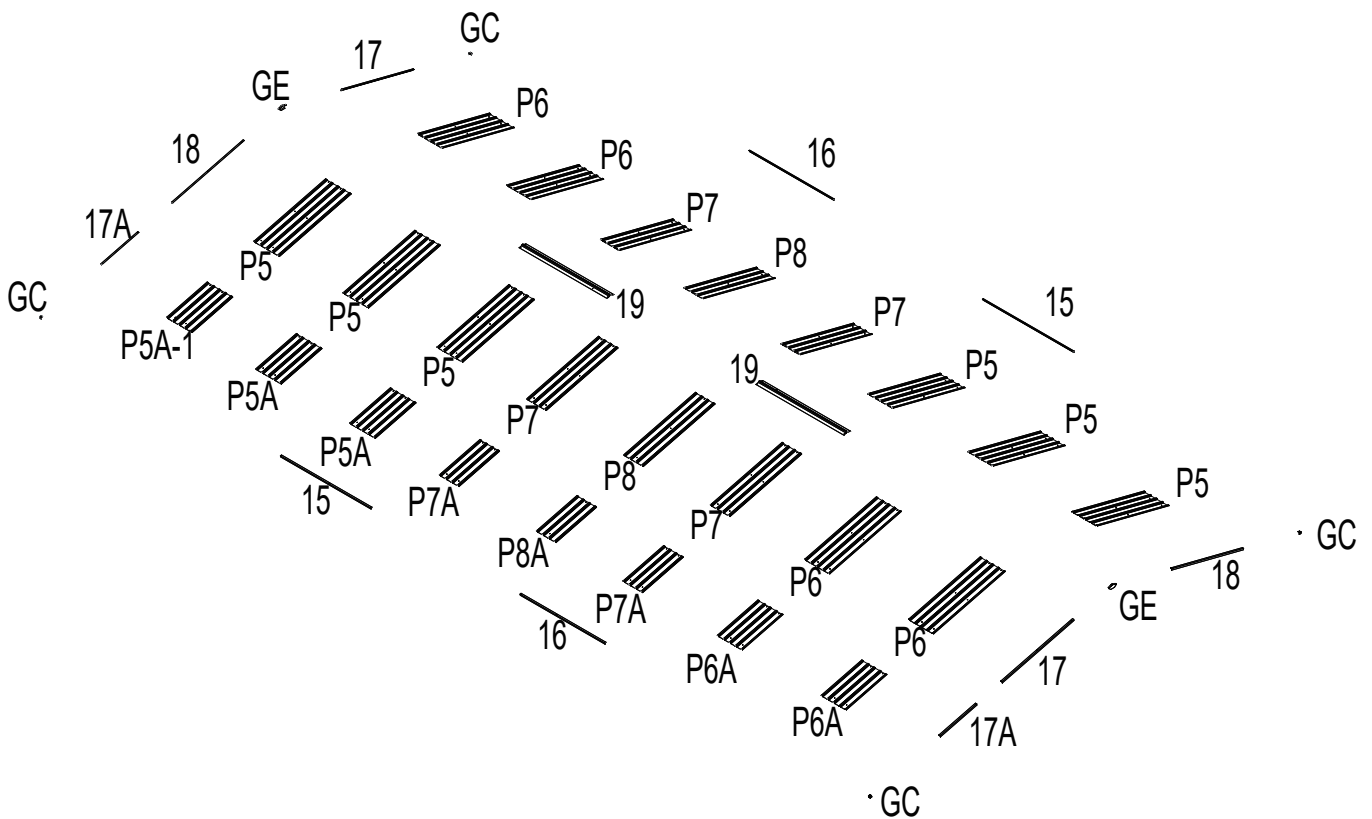
Attention! Someone or an object must support this column to prevent it from collapsing or deforming.

Shed top panels

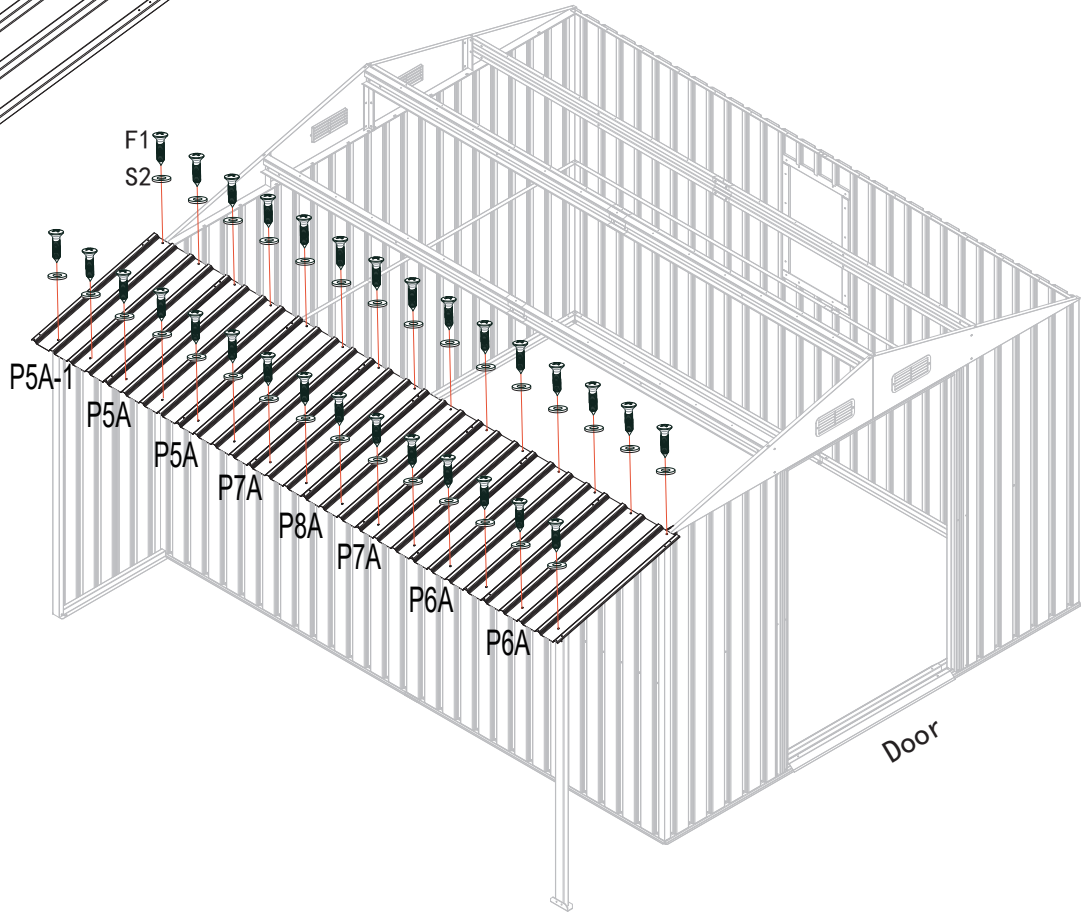
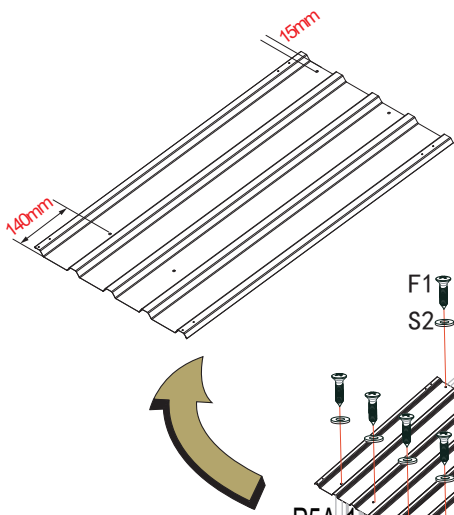
No.	Qty.
PS1	2
PS2	2
PS3	4
PS4	10
15L	2
15	2
15L	2
15R	2
17	2
18	2
18A	2
19A	1
19	2
GL	4

Please prepare these boards,
Put them in order

It's best to pre-locate and lay out all the profiles on the ground before proceeding with the installation.

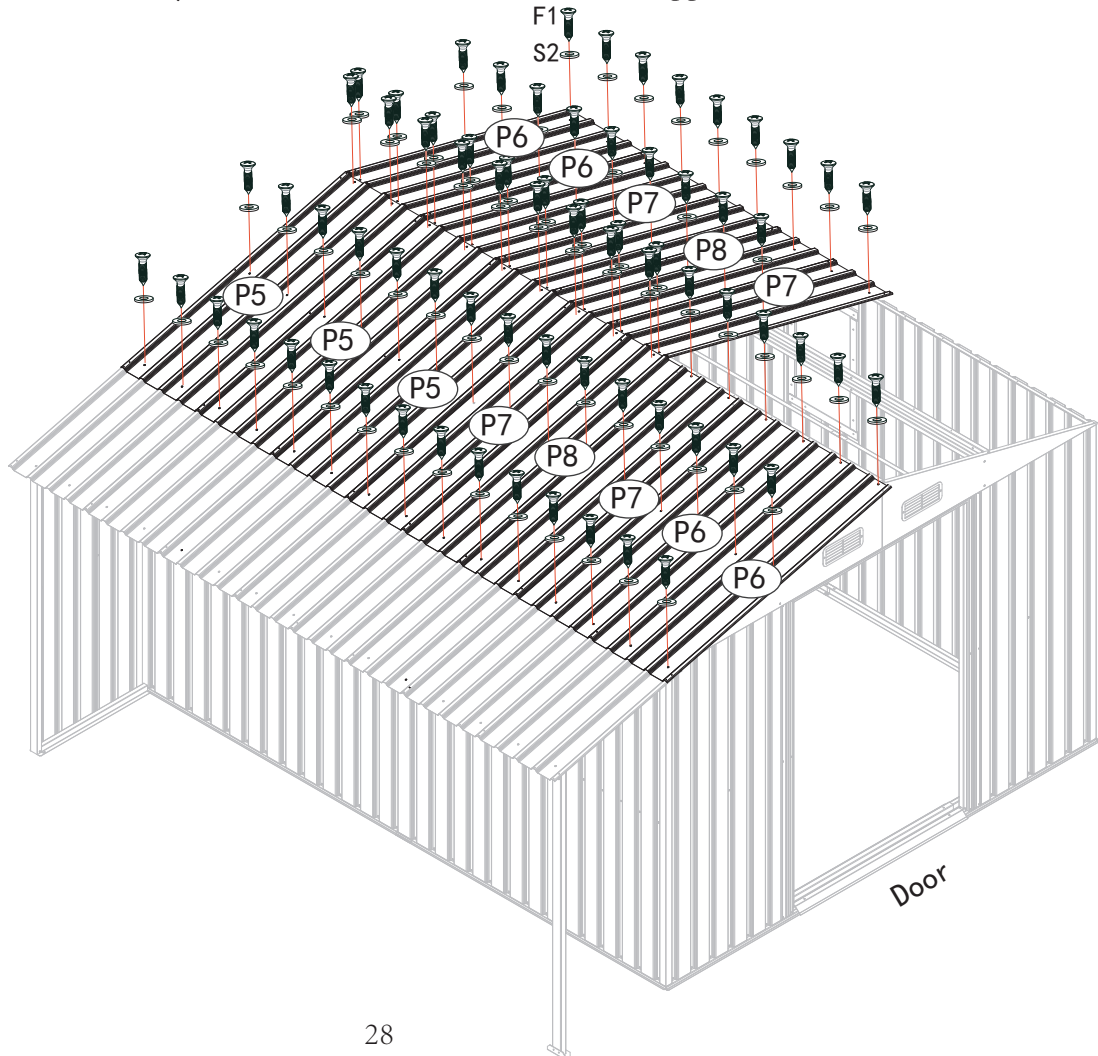
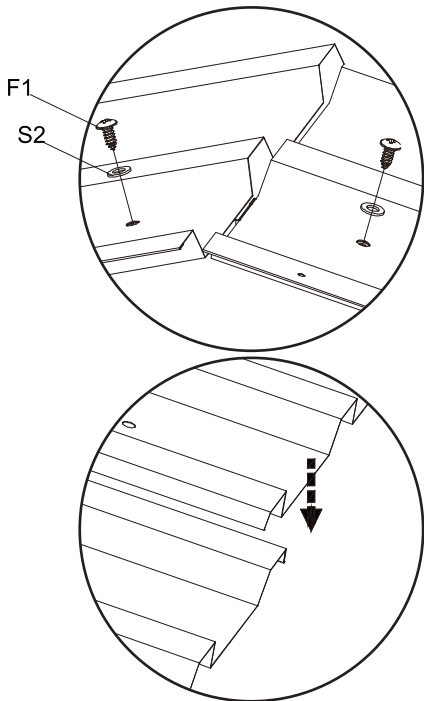


Pay attention to the distance between the upper and lower holes and the ends.


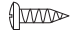




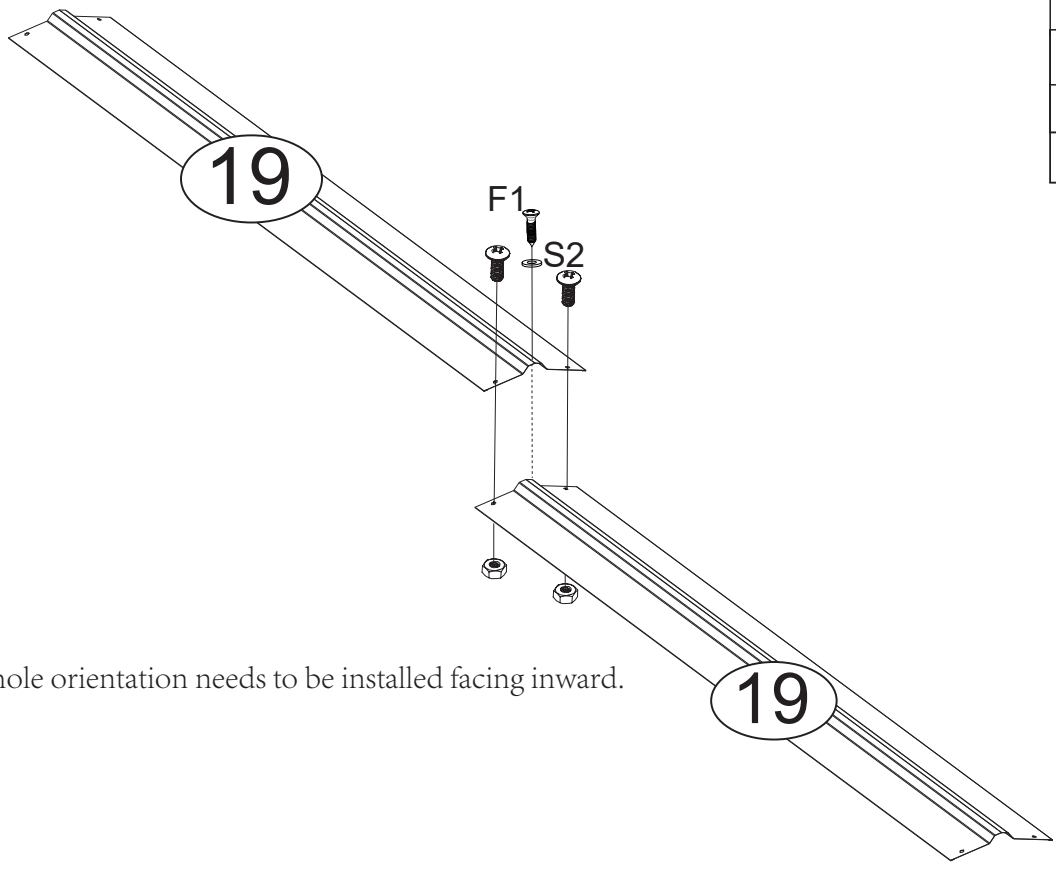
PART	NO.	Qty.
	P5A-1	1
	P5A	2
	P6A	2
	P7A	2
	P8A	1
	F1	30
	S2	30

Pay attention to the distance between the upper and lower holes and the ends.

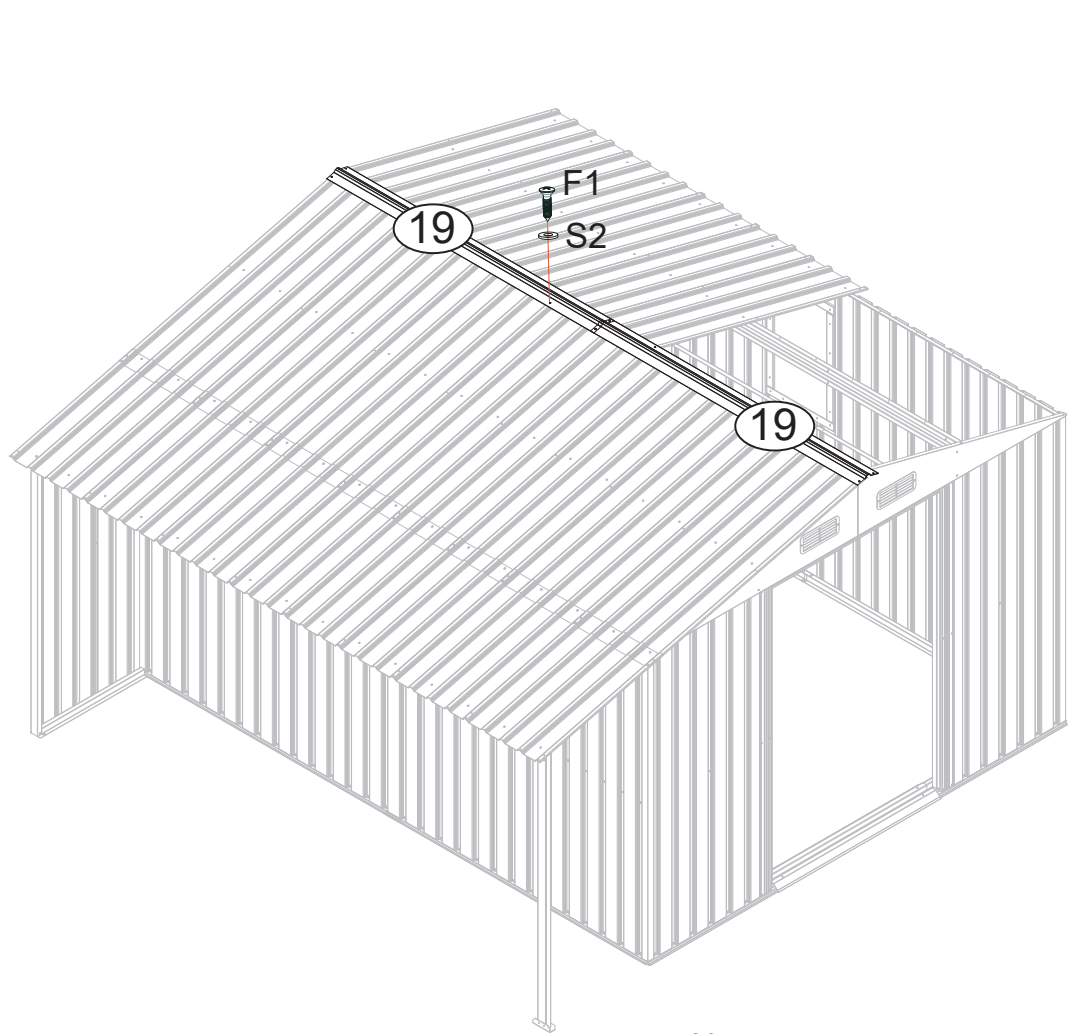




PART	NO.	Qty.
	P5	3
	P6	4
	P7	4
	P8	2
	F1	72
	S2	72

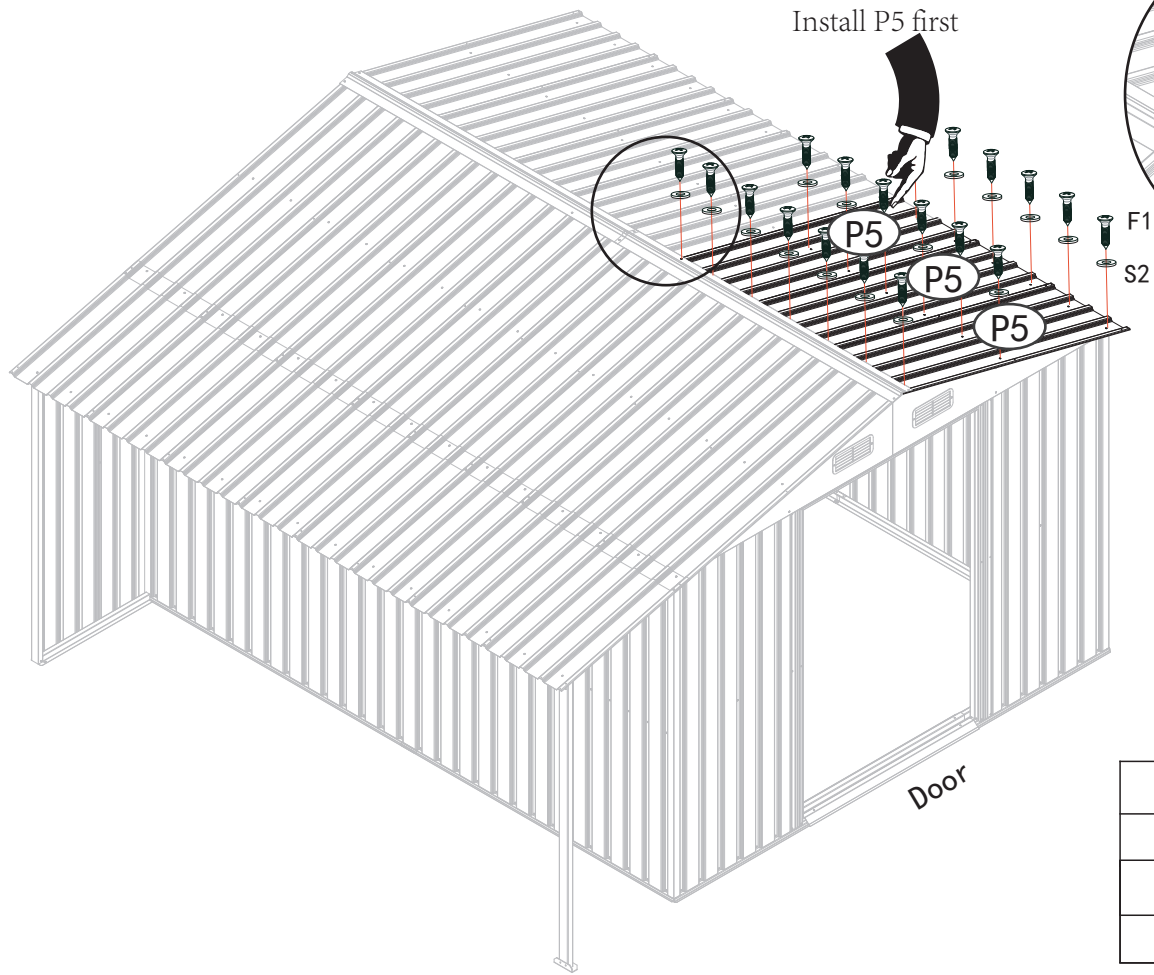
PART	NO.	Qty.
	19	2
	F1	1
	F2	2
	S2	1






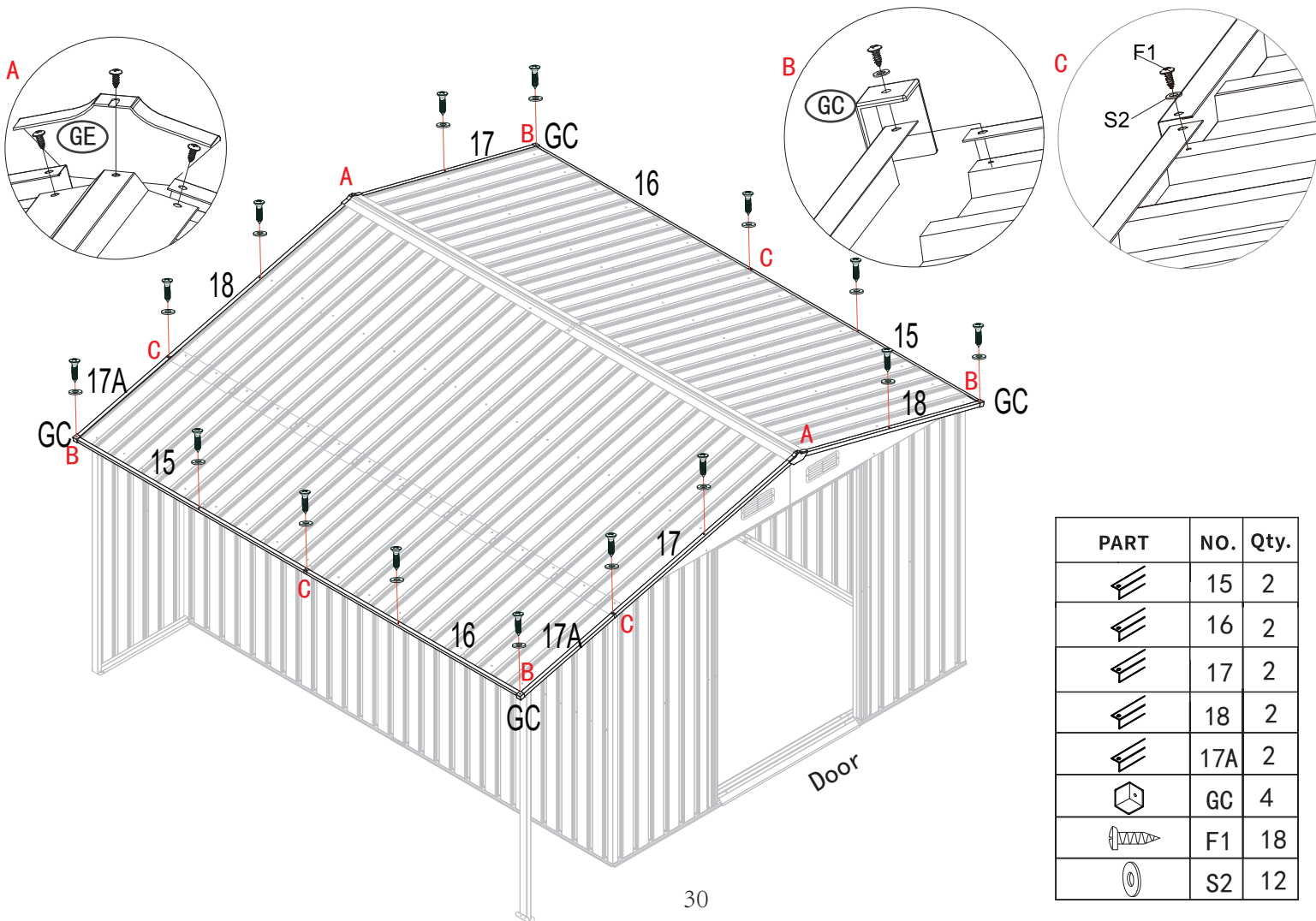
The hole orientation needs to be installed facing inward.







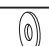



PART	NO.	Qty.
	F1	1
	S2	1



PART	NO.	Qty.
	P5	3
	F1	18
	S2	18

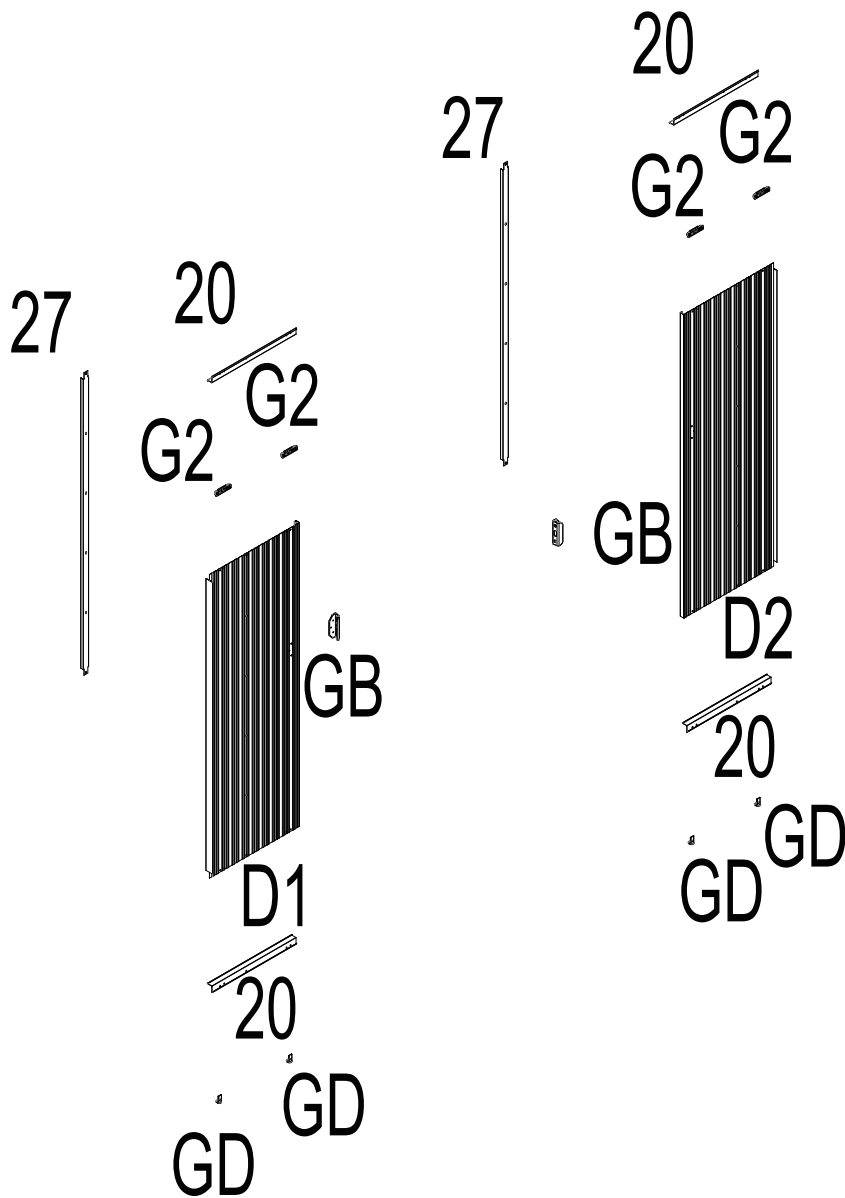


PART	NO.	Qty.
	15	2
	16	2
	17	2
	18	2
	17A	2
	GC	4
	F1	18
	S2	12

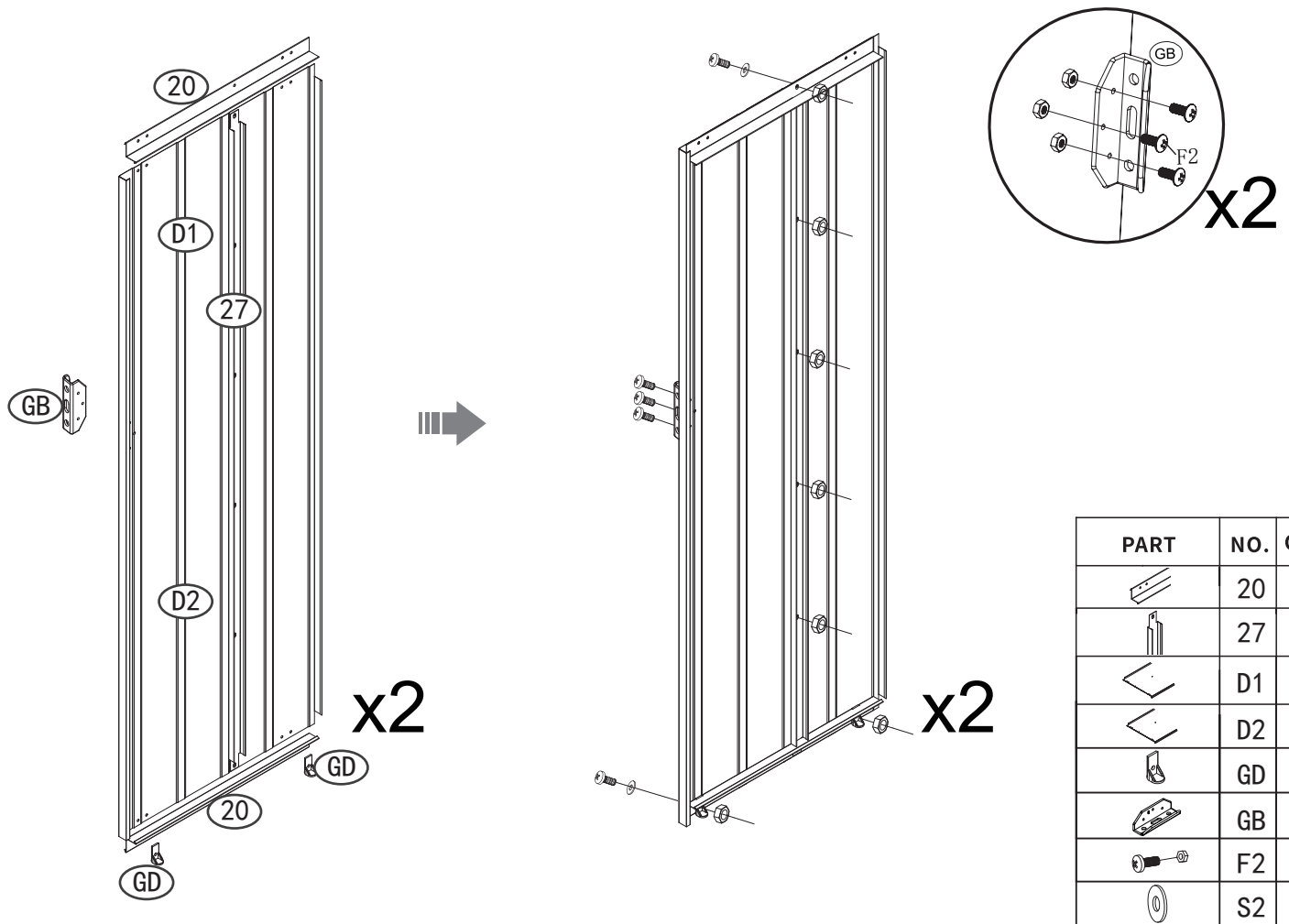
PARTS

Before installation, please place the parts in the position as shown in the figure below.

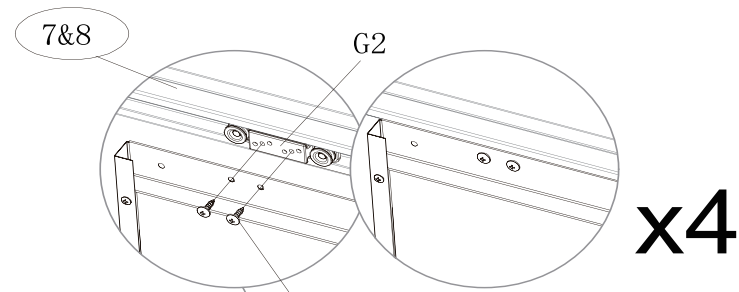
Shed door	
No.	Qty.
20	4
27	2
D1	1
D2	1
G2	4
GD	4
GB	2



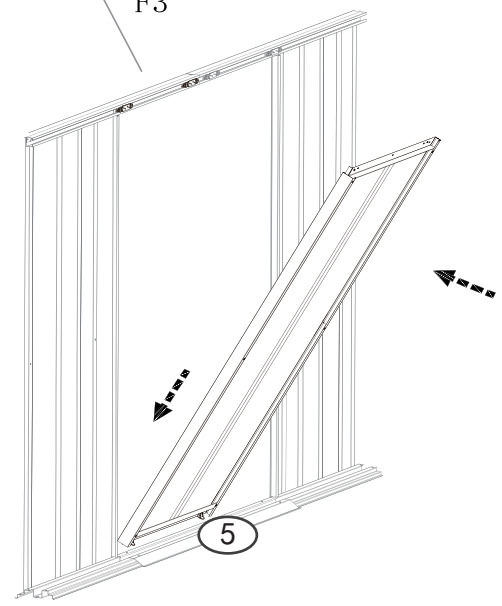
The installation steps for D1 and D2 are the same



PART	NO.	Qty.
	20	4
	27	2
	D1	1
	D2	1
	GD	4
	GB	2
	F2	10
	S2	7

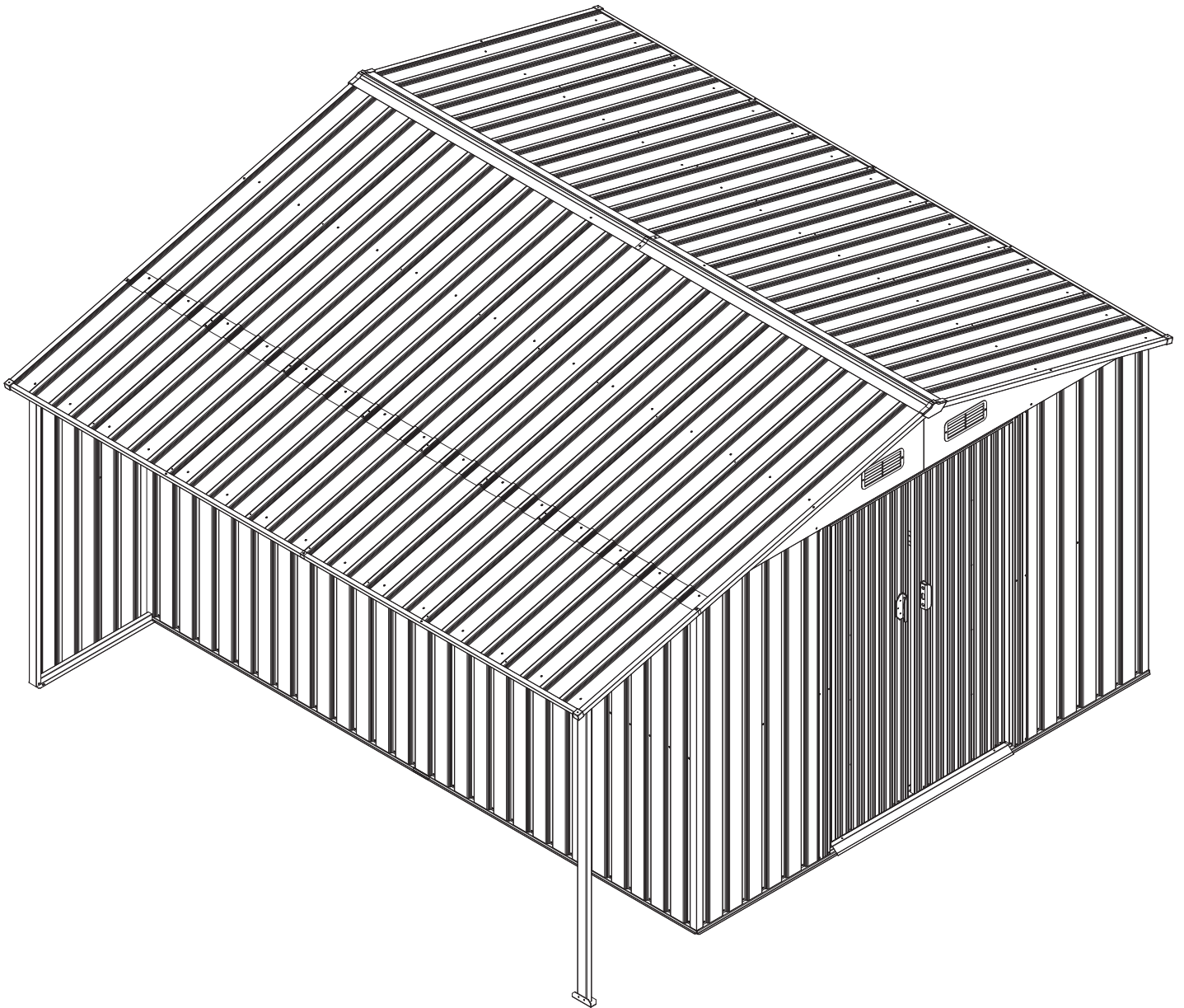


The mounting holes of the pulley can be adjusted as needed.



Product internal perspective

PART	NO.	Qty.
	F3	8



This outer column must be firmly fixed to the ground to prevent twisting or deformation over time.