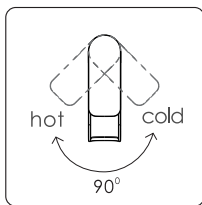
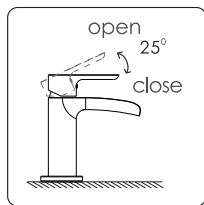


Application Instruction

1. Gradually pull the handle, it will be more advantageous to protect the cartridge.
2. Pull the handle right is open, the angle you pull are more, the flow rate is becoming large, conversely the angle you pull are small, the flow rate is becoming little till close.
3. When pull the handle top, then tum left, the water outlet is hot water; gradually turn left, the flow rate is larger; turn right, the water outlet is cold water, gradually turn right, the flow rate is larger.



BATHROOM FAUCET

Installation instruction



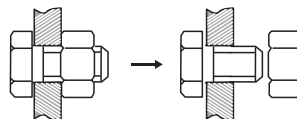
CARE INSTRUCTIONS

Rinse the product with clear water. Dry the product with a soft cloth.

DO NOT:

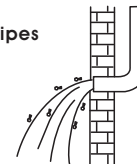
Use abrasive cleansers, cloths, or paper towels. Use any cleaning agents containing acid, polish, wax, alcohol, ammonia, bleach, solvent or any other corrosive or harsh chemical cleansers.

No disassembling X



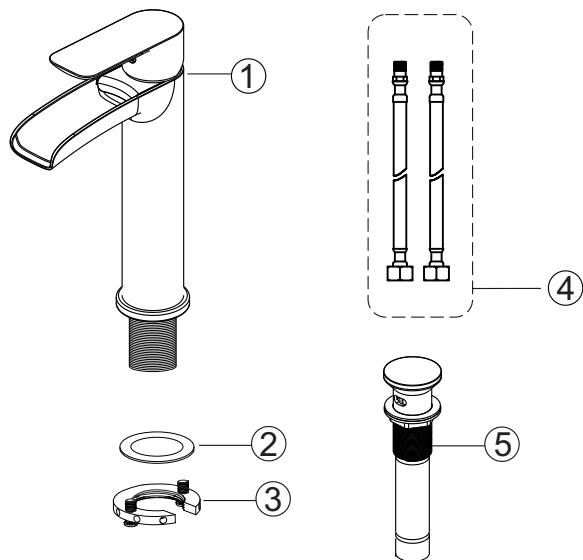
This product has been inspected and debugged by the factory to the best condition. Please do not disassemble and assemble it yourself.

Cleaning pipes



Before installing the faucet, please be sure to remove sundries and sludge from the water pipe to prevent sundries from blocking the faucet.

Standard Part List



NO.	Part Name
1	Faucet Body
2	Metal Washer
3	Locking Nut
4	Supply Lines
5	Pop Up Drain

Installation Step

1

1. Unscrew the fitting ASSY from the bottom of the body, then get the body through the hole, don't forget to fix the o-ring between the bottom of the body and the basin.

2

2. According the remove step to screw up the fixing set to the mixer below the basin. Use hand to screw up the locknut, then use install tool for fixing strengthen.

3

3. Connect the inlet hose from the body, "Red" for connecting to the hot water, and "Blue" for connecting to the cold water.

4

4. Install the pop-up.