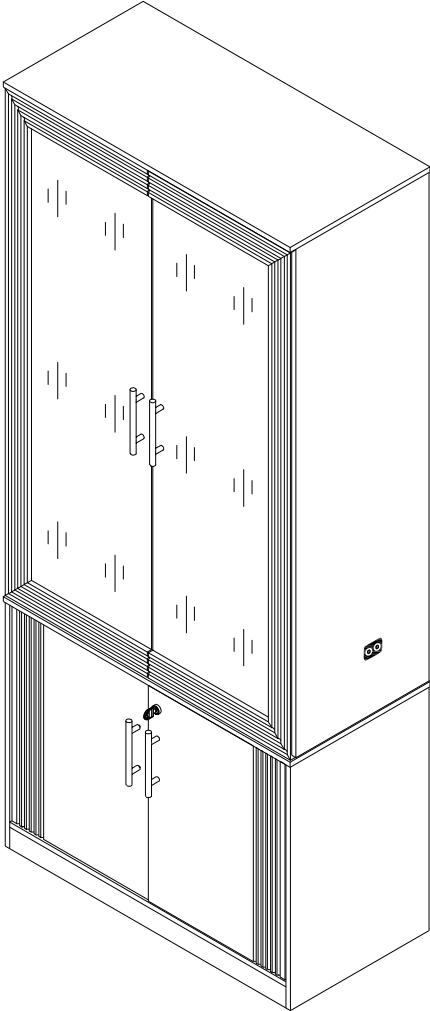
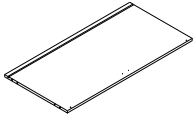
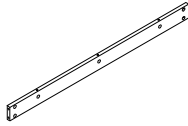


97154 Product Installation Instructions





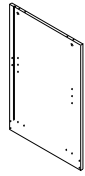
1x1



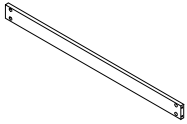
2x2



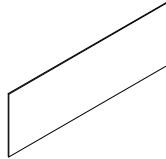
3x1



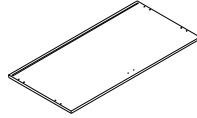
4x1



5x3



6x2



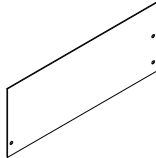
7x1



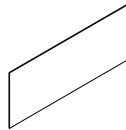
8x1



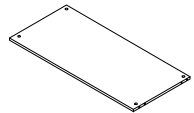
9x1



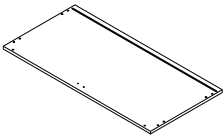
10x1



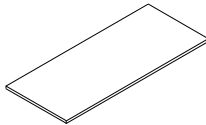
11x3



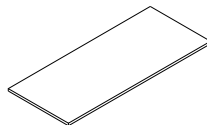
12x1



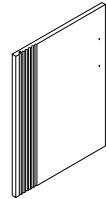
13x1



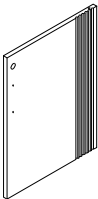
14x1



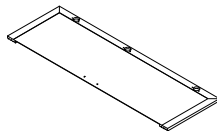
15x2



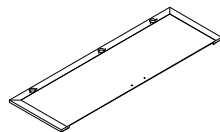
16x1



17x1



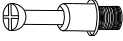

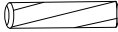

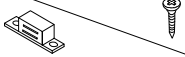
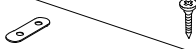


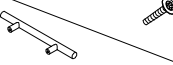


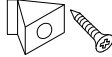

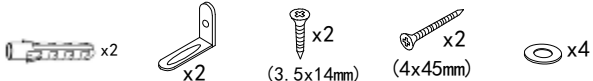

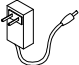
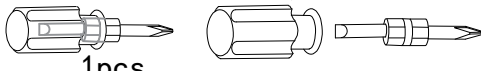

18x1



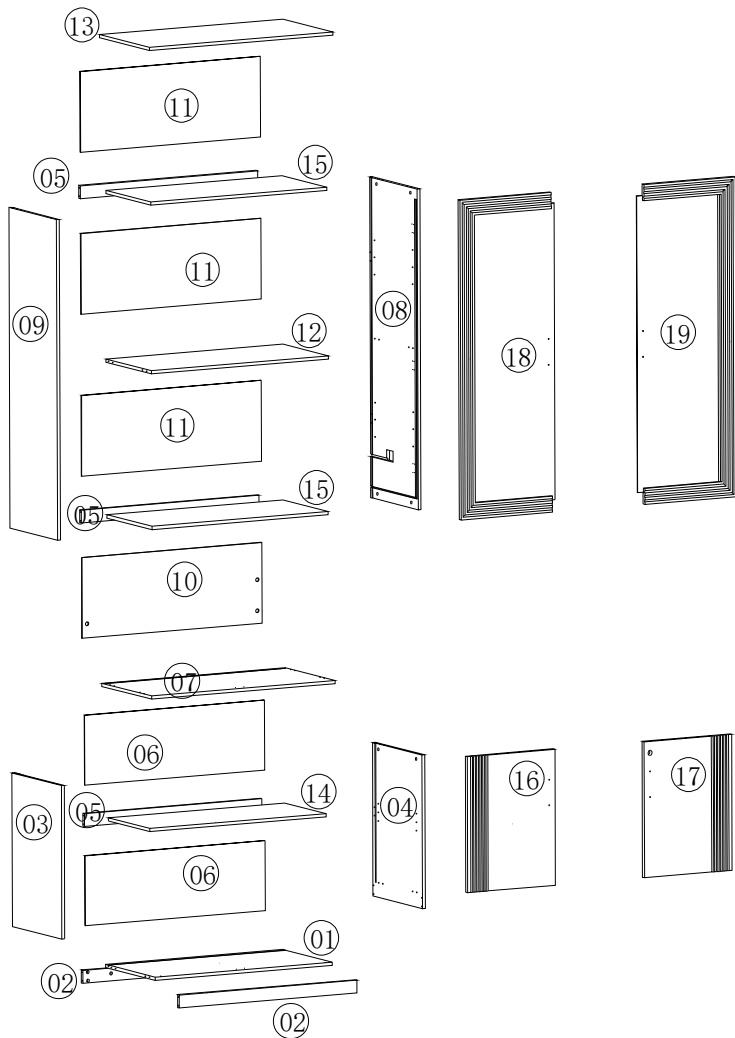
19x1



1

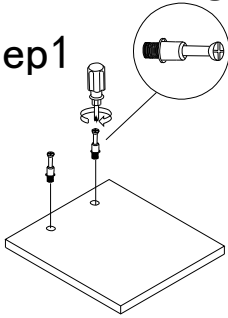
A		Two in one screw (6x28mm)	46pcs +4pcs
B		Two in one nut (10x12mm)	46pcs +4pcs
C		Wood chipping (6x30mm)	20pcs +4pcs
D		Non-slip pads (50x10)	6pcs
E		Magnetic attraction Screw (3x16mm)	6pcs +1pcs 3pcs
F		Iron sheet Screw (3x10mm)	12pcs +1pcs 6pcs
G		Laminate support nail	12pcs +1pcs
H		Handle(96) & Screw (4x12mm) Glue gaskets Iron gaskets	2pcs 4pcs +1pcs 4pcs 4pcs
I		Handle(96) & Screw (4x22mm)	4pcs +1pcs 2pcs
J		Door shaft	4pcs +1pcs
K		Hinge & Screw (3.5x14mm)	36pcs +6pcs 6pcs
L		Fixing clip & screw (3x16mm)	20pcs +2pcs
M		Wire clamp	3pcs +1pcs
N	Anti Fall Hardware		
O	door lock		
		AC/DC Adapter (12V=3.0A)	1pcs
		Double-head screwdriver, use as required  1pcs	

Product structure decomposition

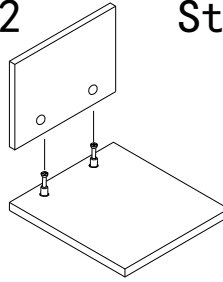


Use parts A and B

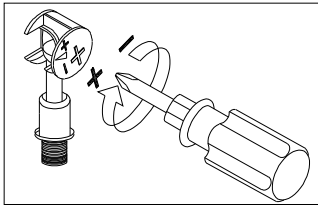
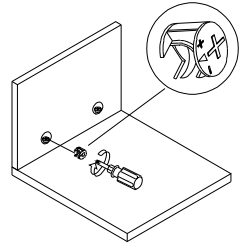
Step 1



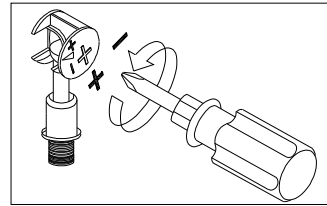
Step 2



Step 3

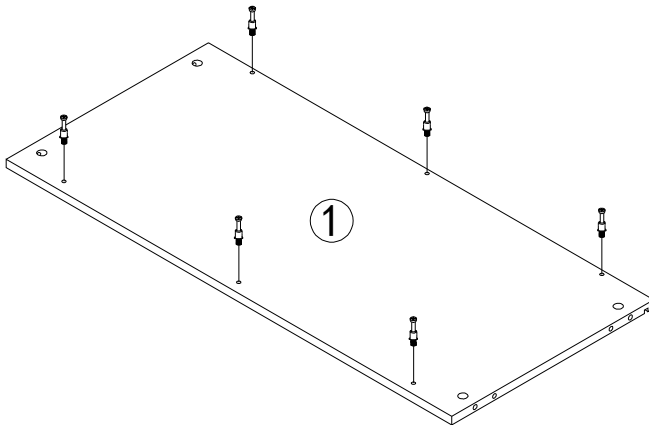
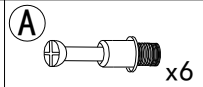


Use a screwdriver to lock in the direction of the "+" sign



Disassemble along the direction of "-" sign

Step 1



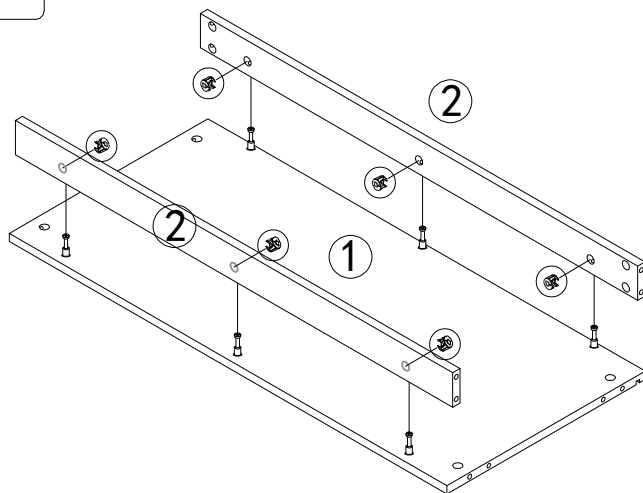
4

Step 2

(B)

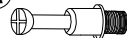


x6

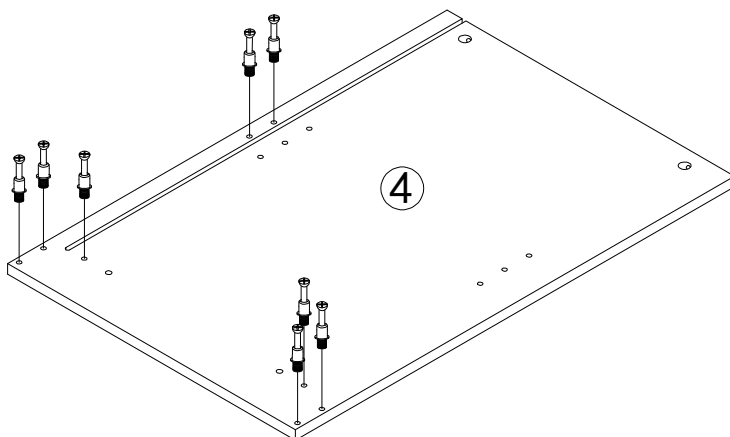


Step 3

(A)

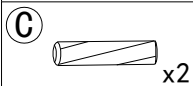
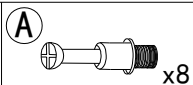
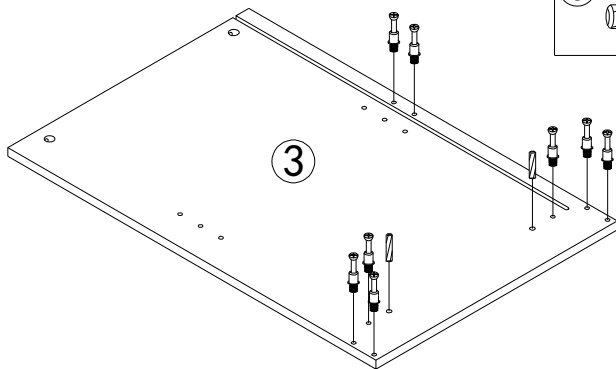


x8

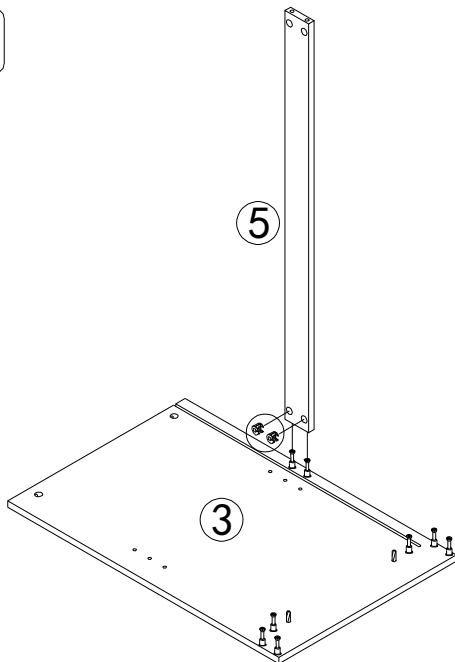


5

Step 4



Step 5

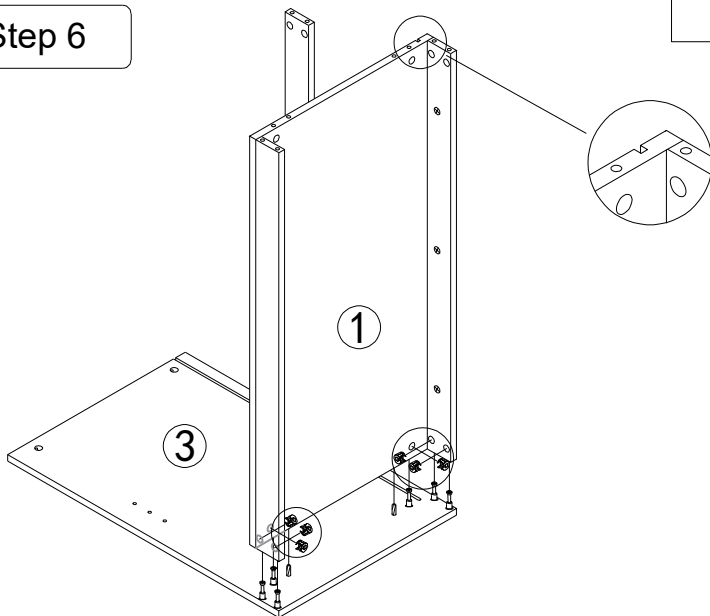


Step 6

(B)

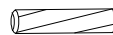


x6

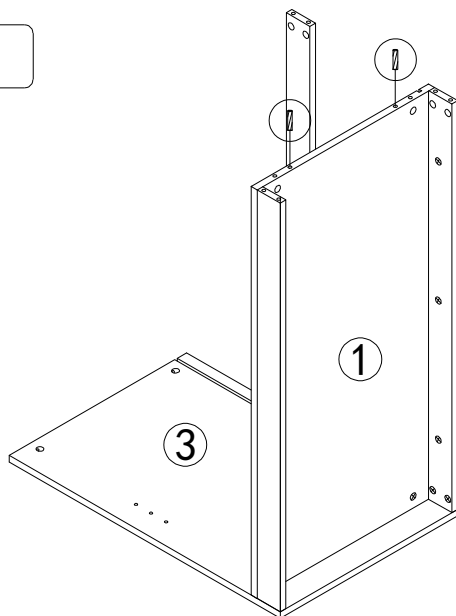


Step 7

(C)



x2



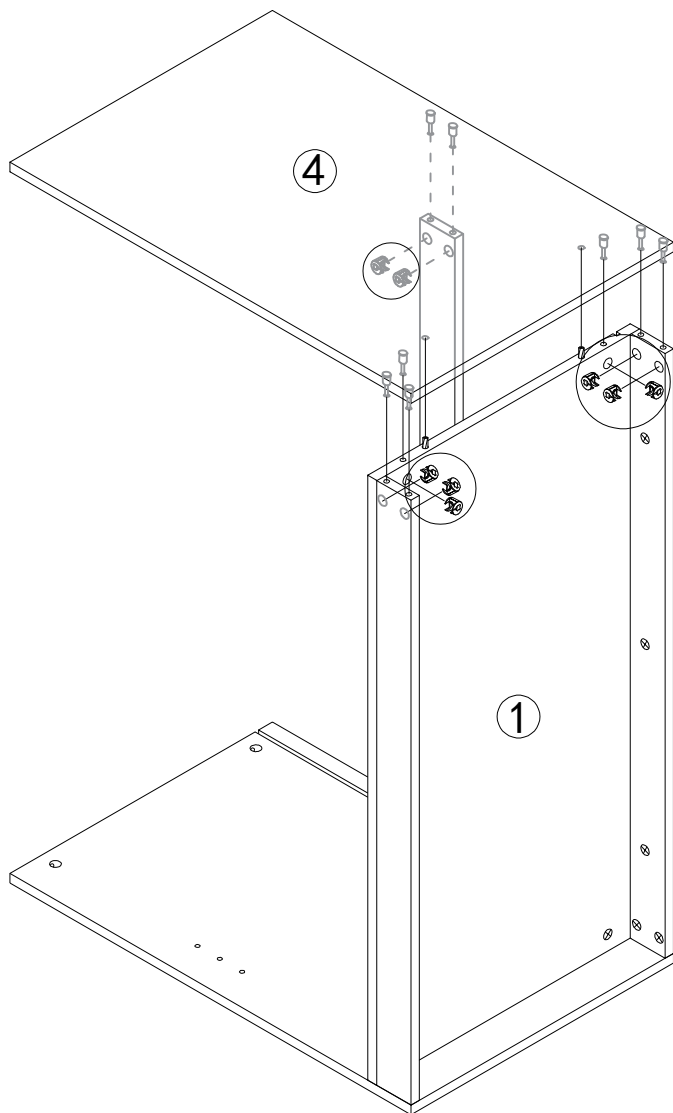
7

Step 8

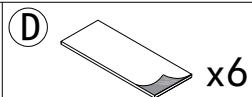
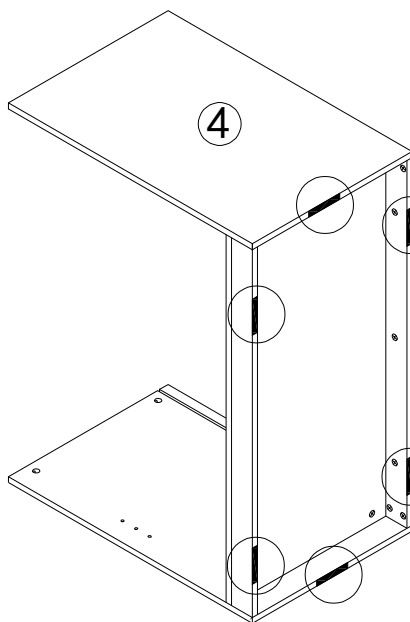
B



x8

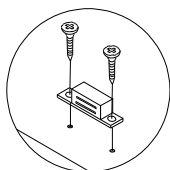
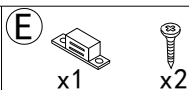
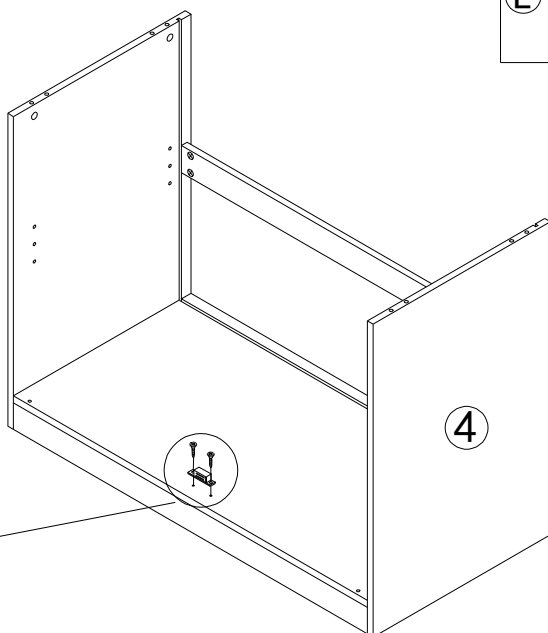


Step 9

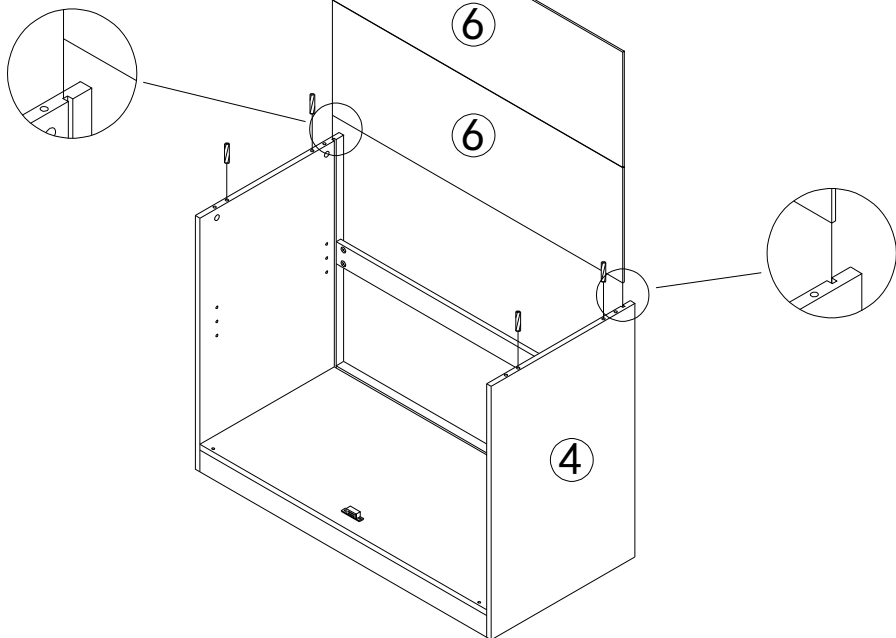
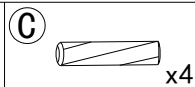


Tear off release paper and stick the black foot pad on the board

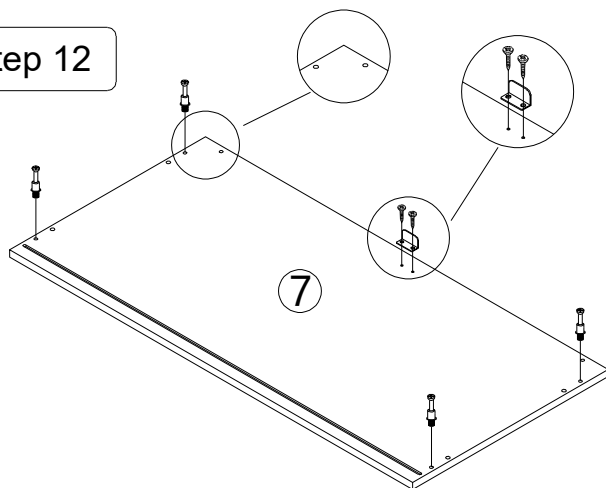
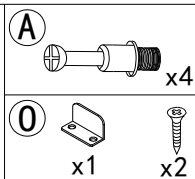
Step 10



Step 11



Step 12



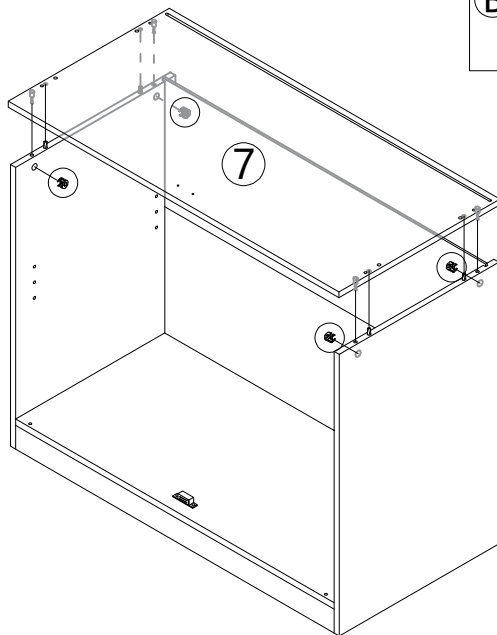
10

Step 13

(B)

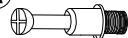


x4



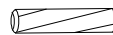
Step 14

(A)



x4

(C)



x4

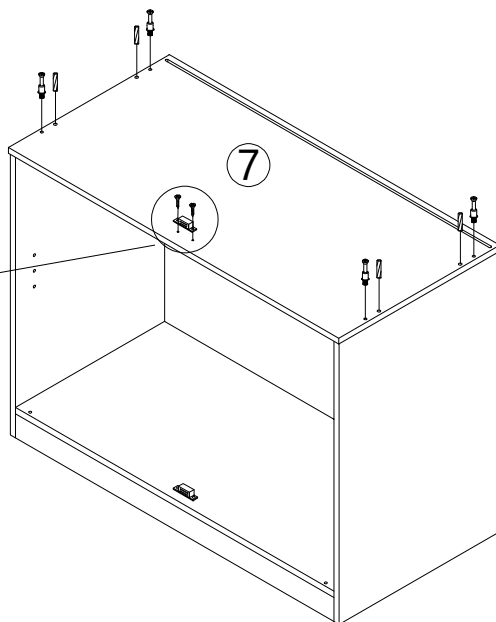
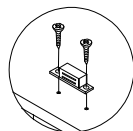
(E)



x1

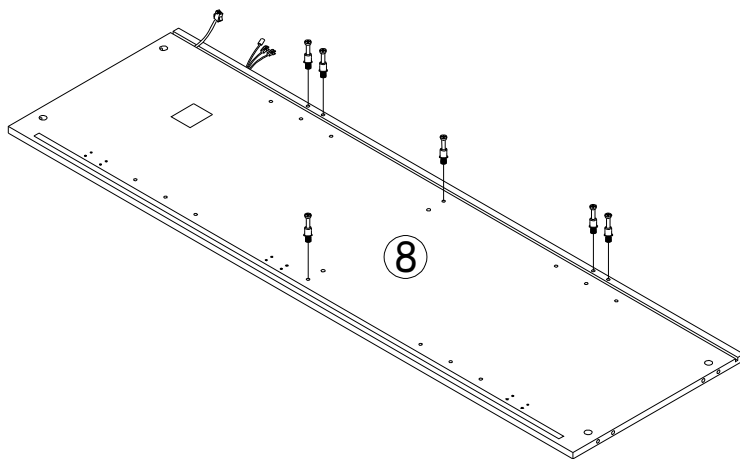
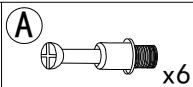


x2

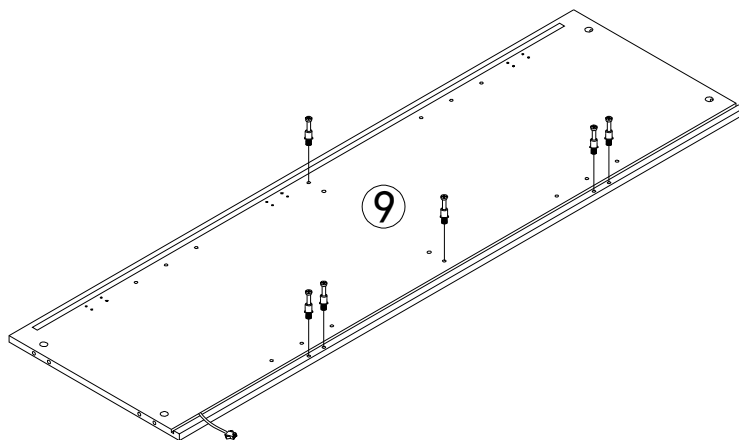
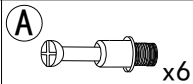


11

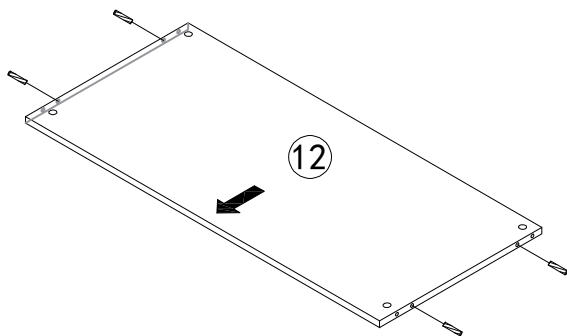
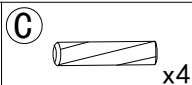
Step 15



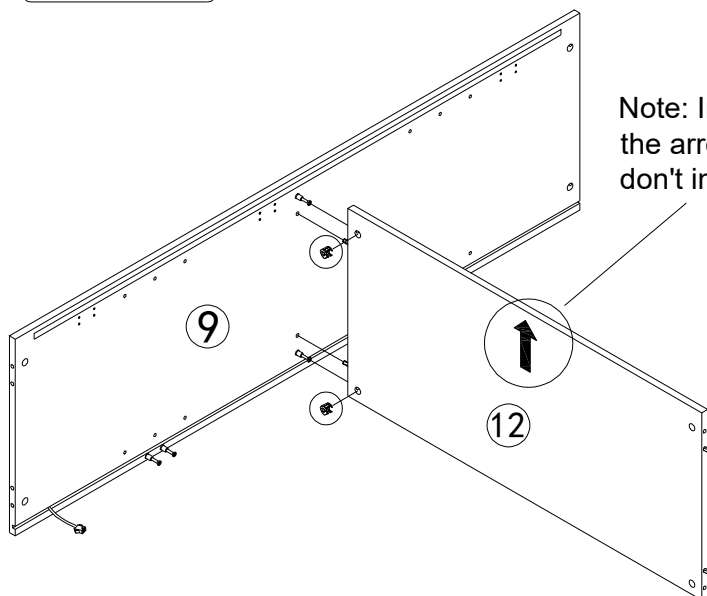
Step 16



Step 17



Step 18



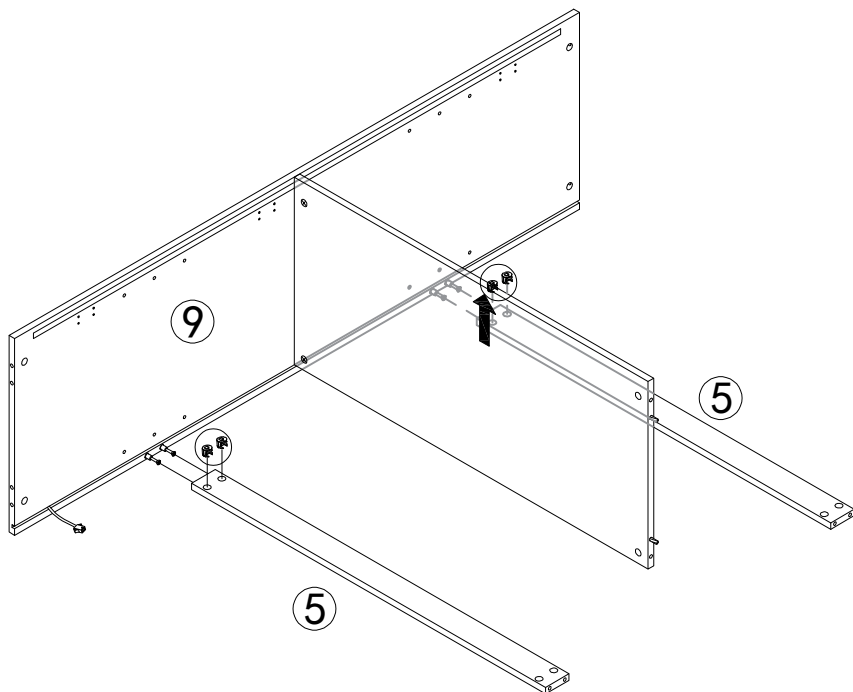
Note: Install according to the arrow on the board, don't install it backwards.

Step 19

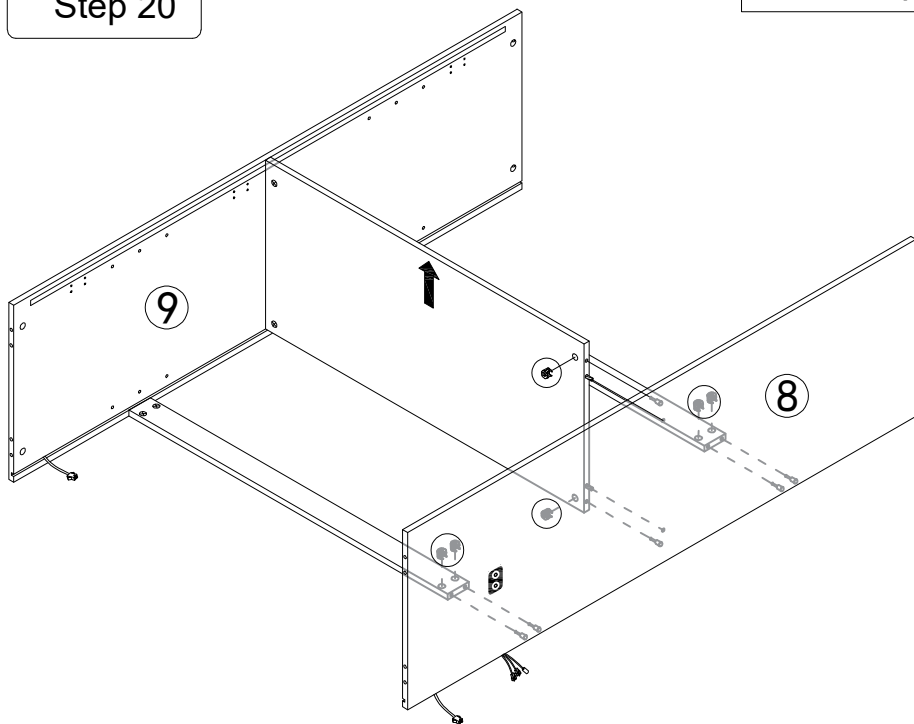
B



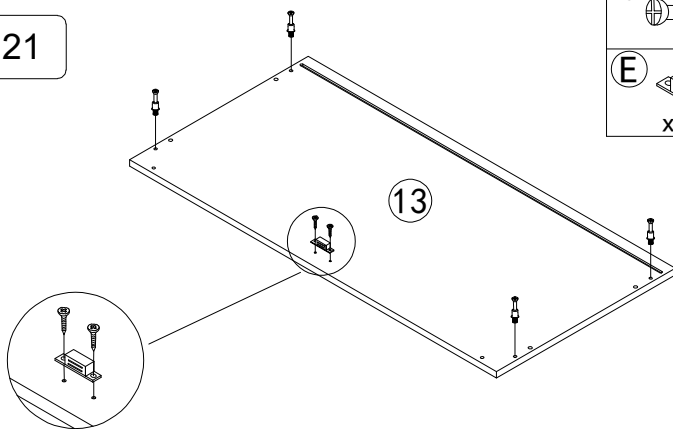
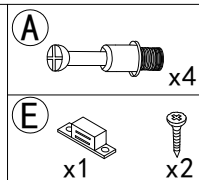
x4



Step 20



Step 21

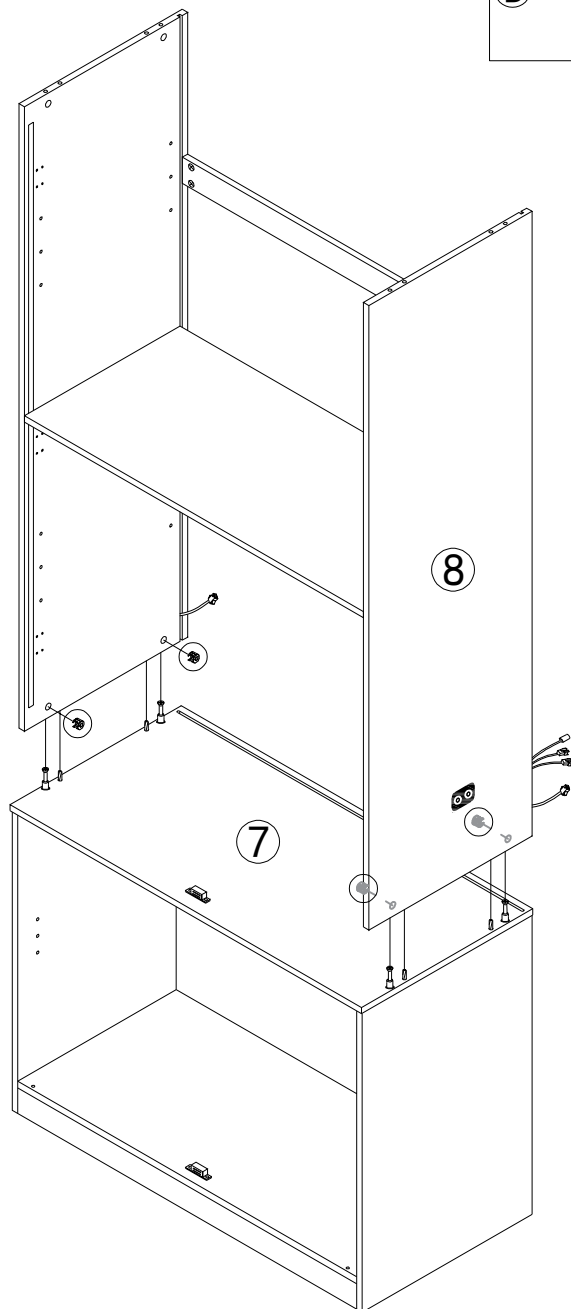


Step 22

B

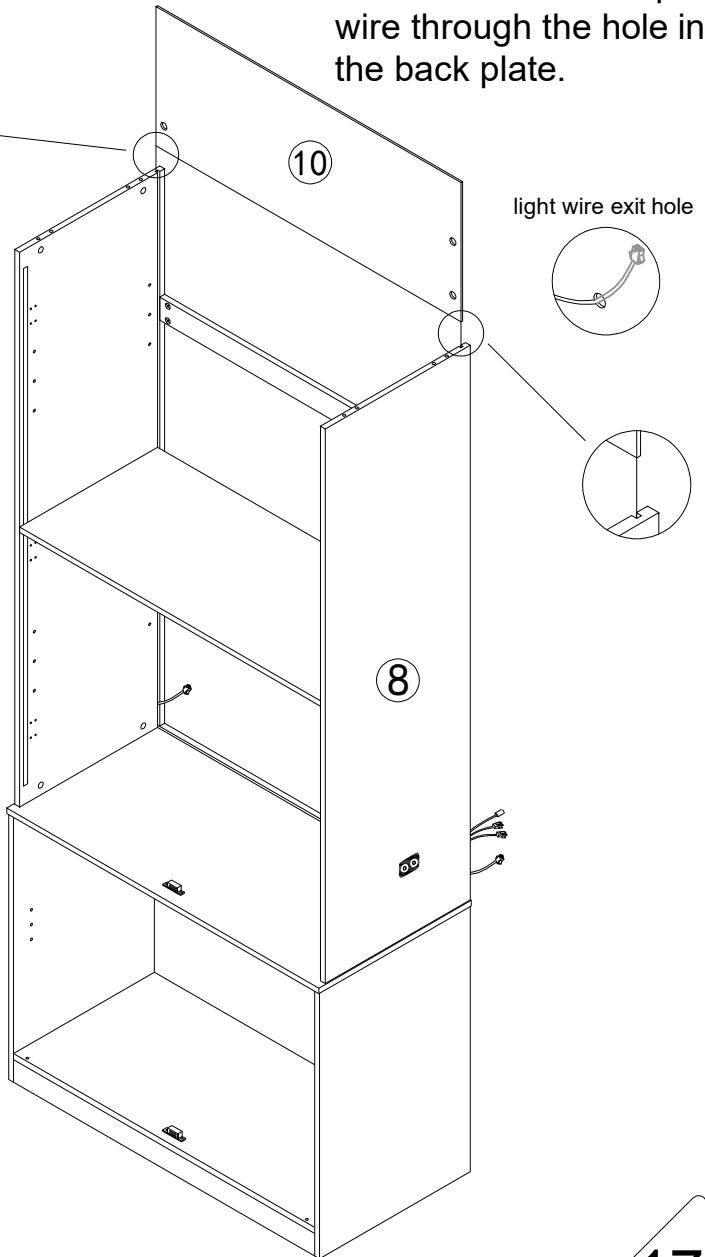


x4

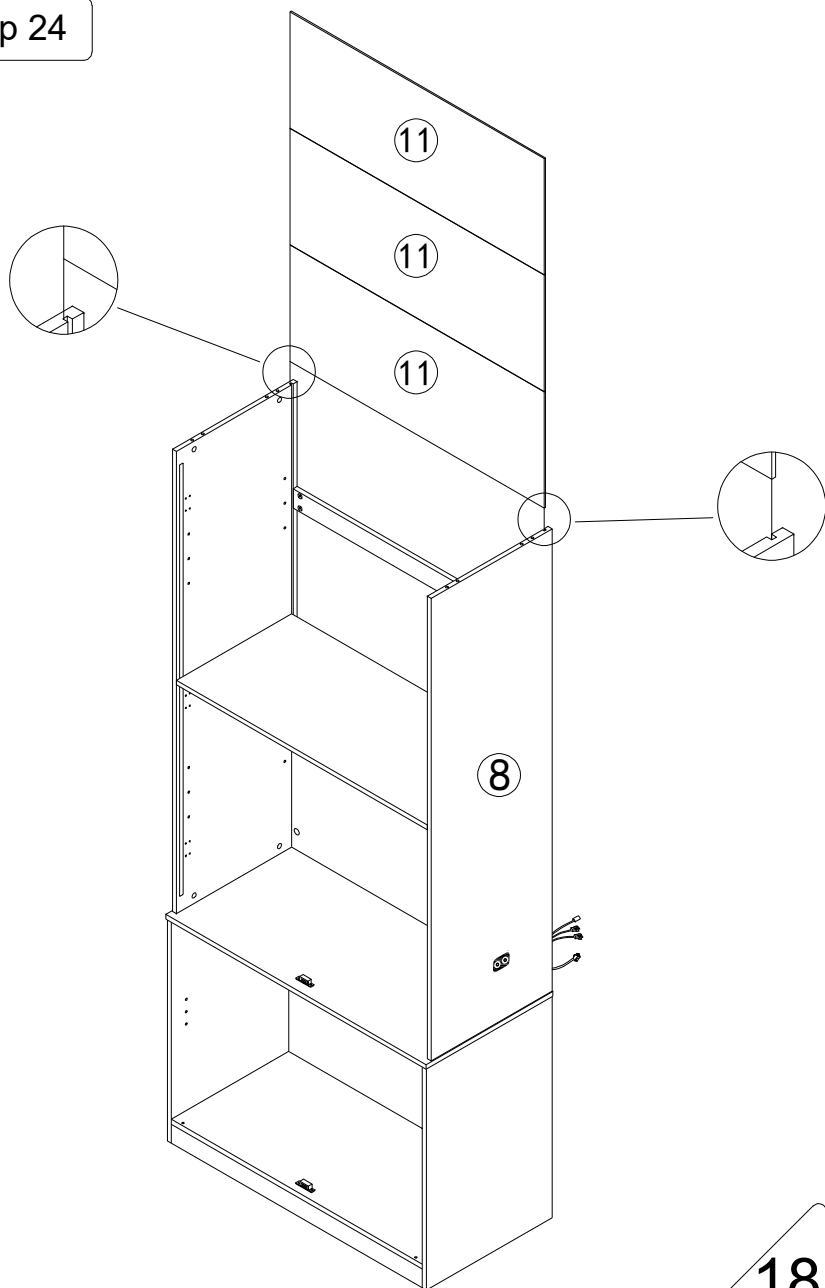


Step 23

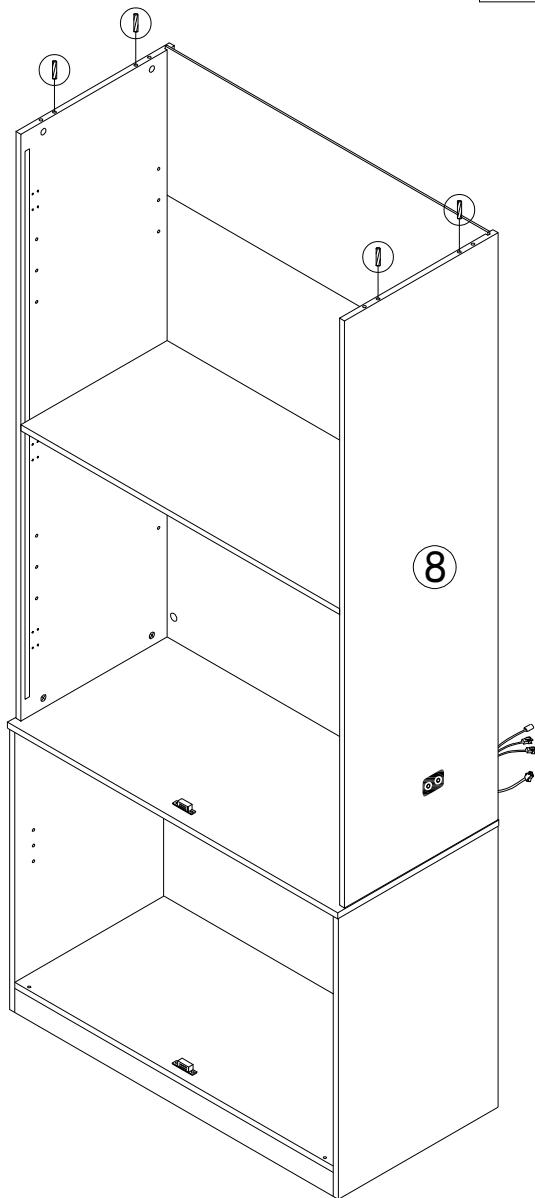
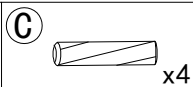
Note: thread the lamp wire through the hole in the back plate.



Step 24



Step 25

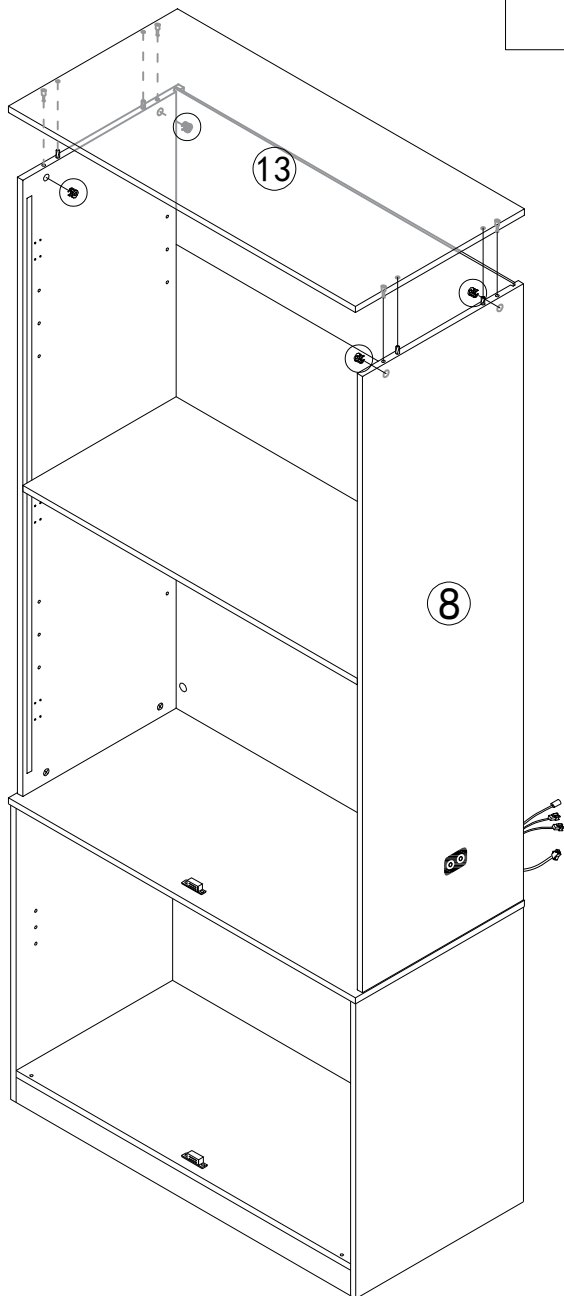


Step 26

(B)



x4



20

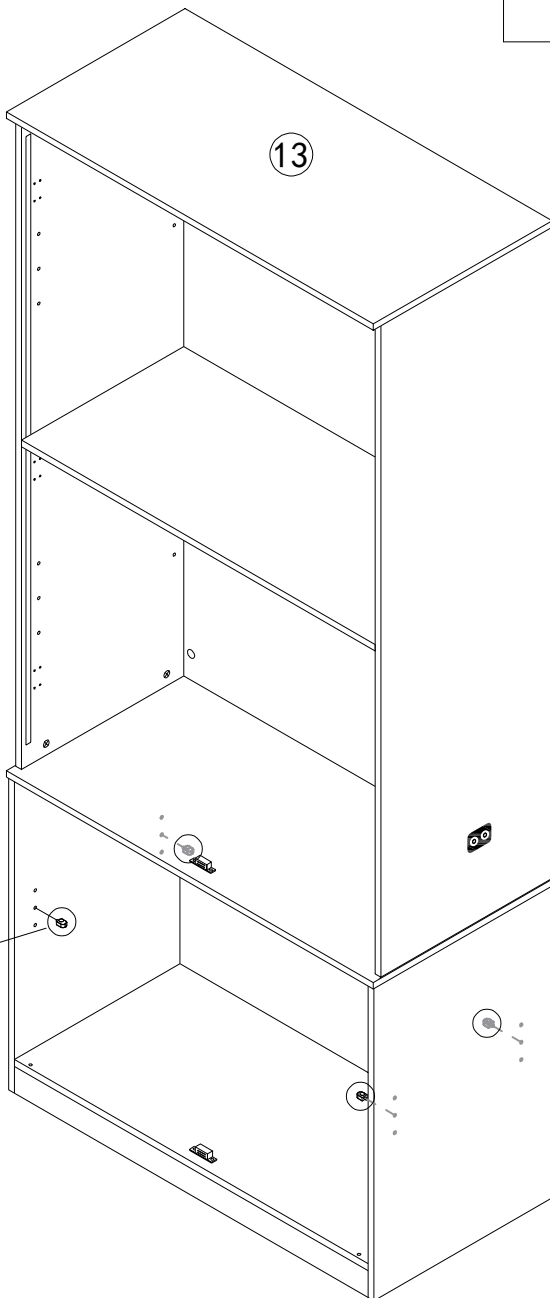
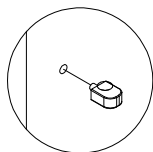
Step 27

G



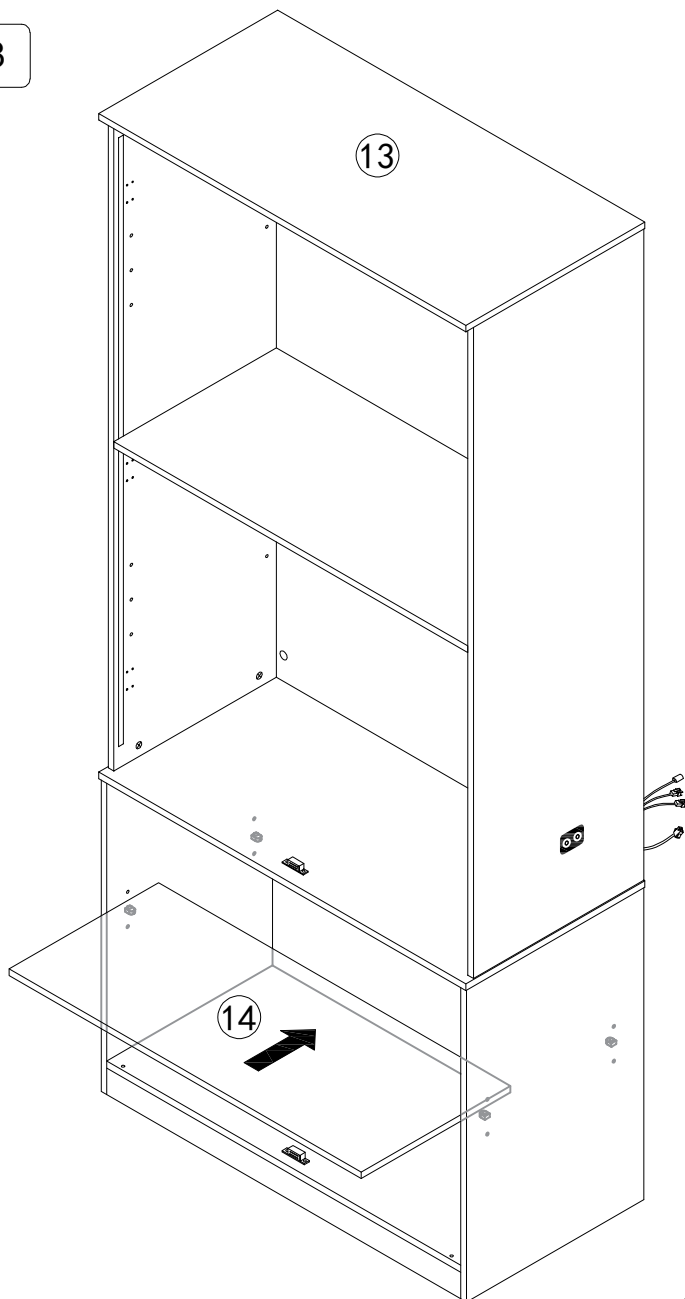
x4

13

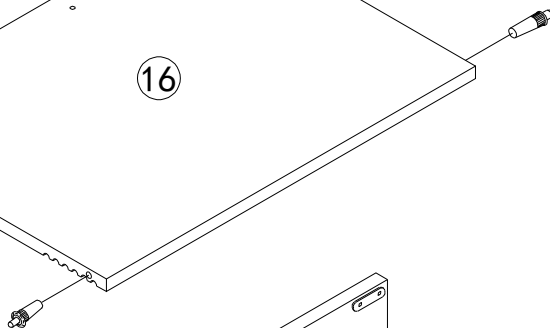
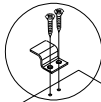
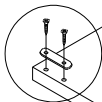
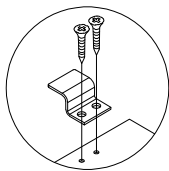
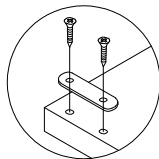


21

Step 28

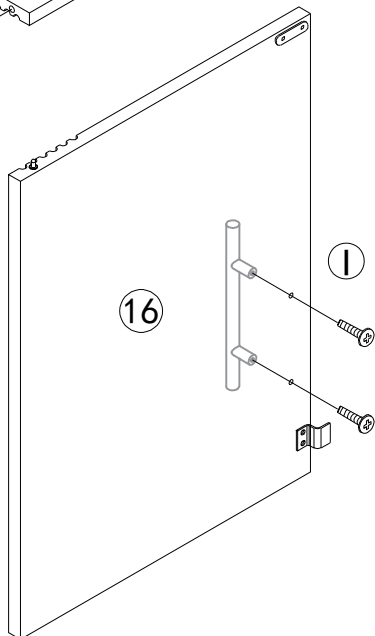


Step 29



16





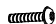
F		
	x1	x2
J		
	x2	
O		
	x1	x2
I		
	x1	x2

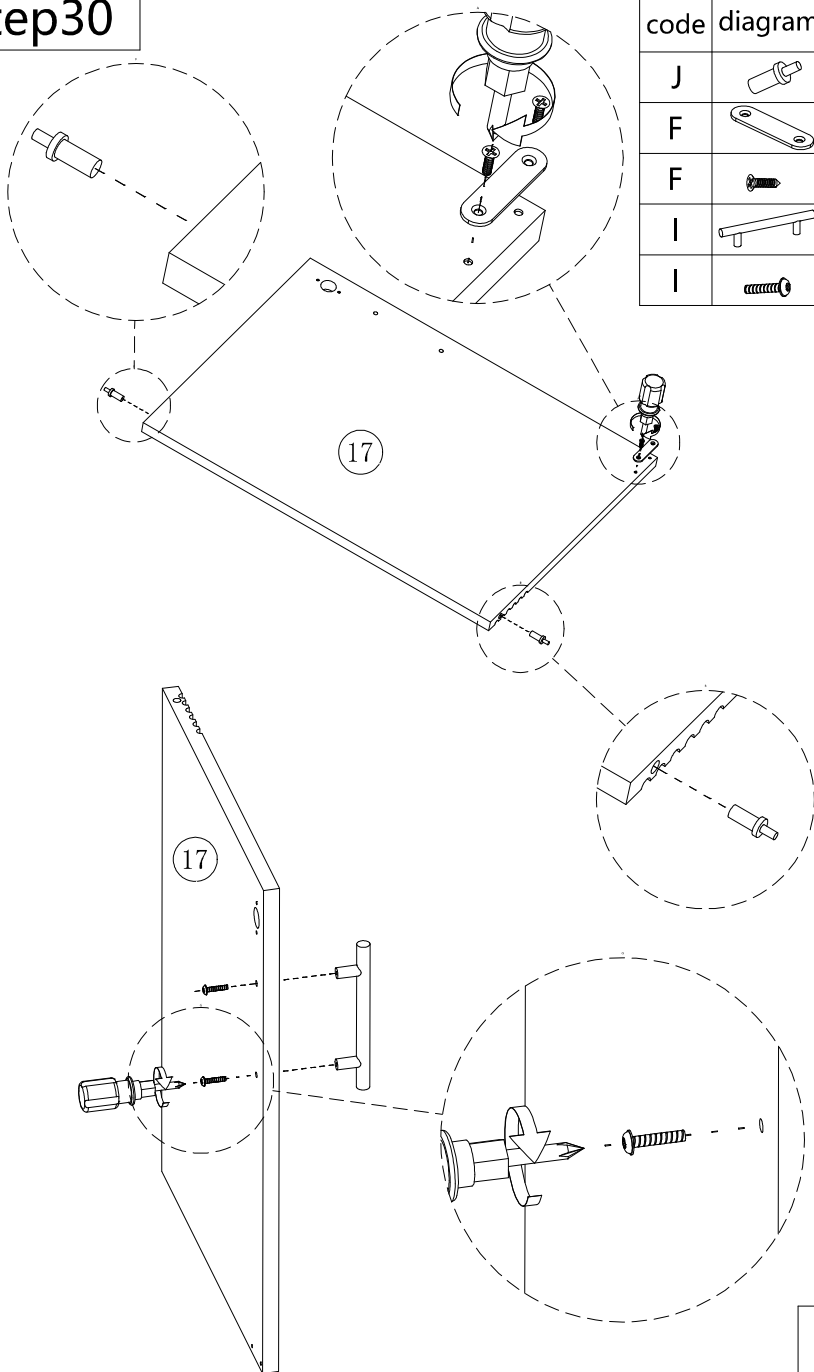


16



I

Step30

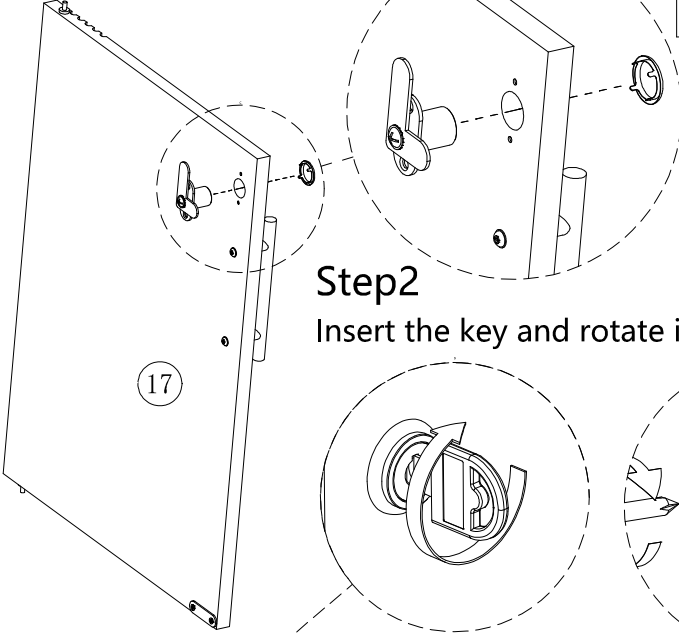
code	diagram	count
J		2
F		1
F		2
I		1
I		2



Step31

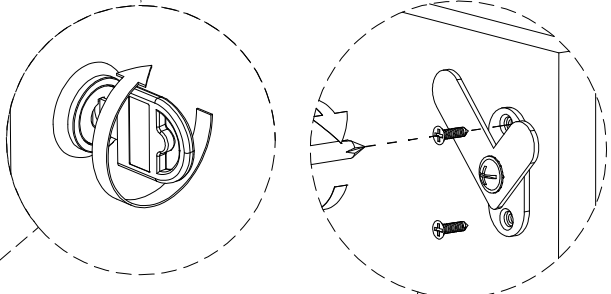
code	diagram	count
O		1
O		1

Step1

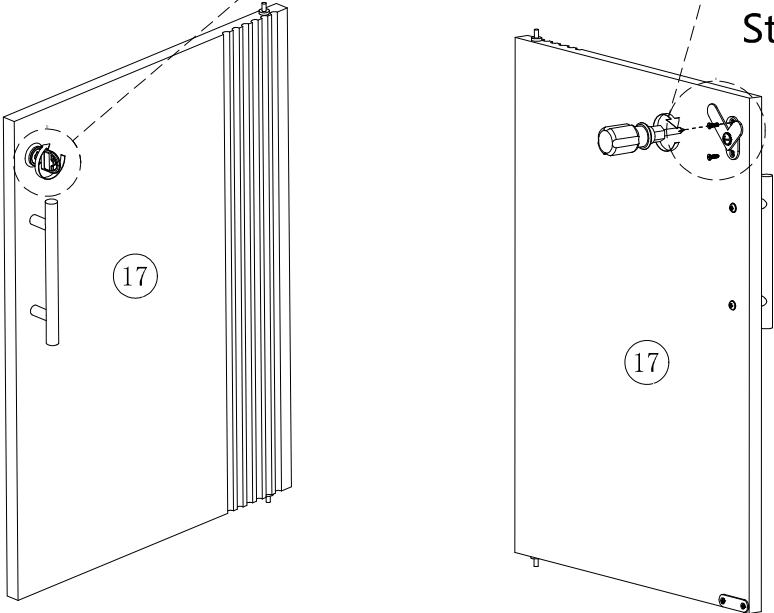


Step2

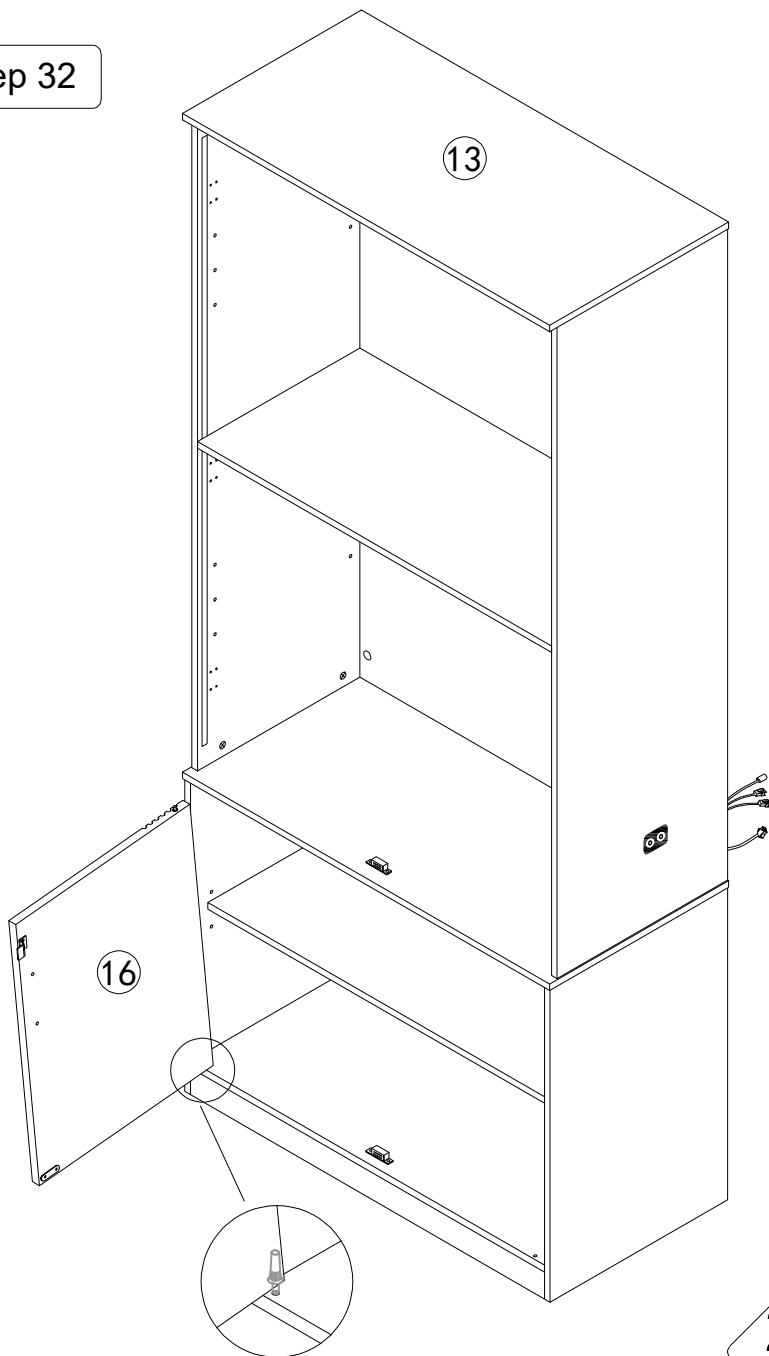
Insert the key and rotate it 45 degrees.



Step3

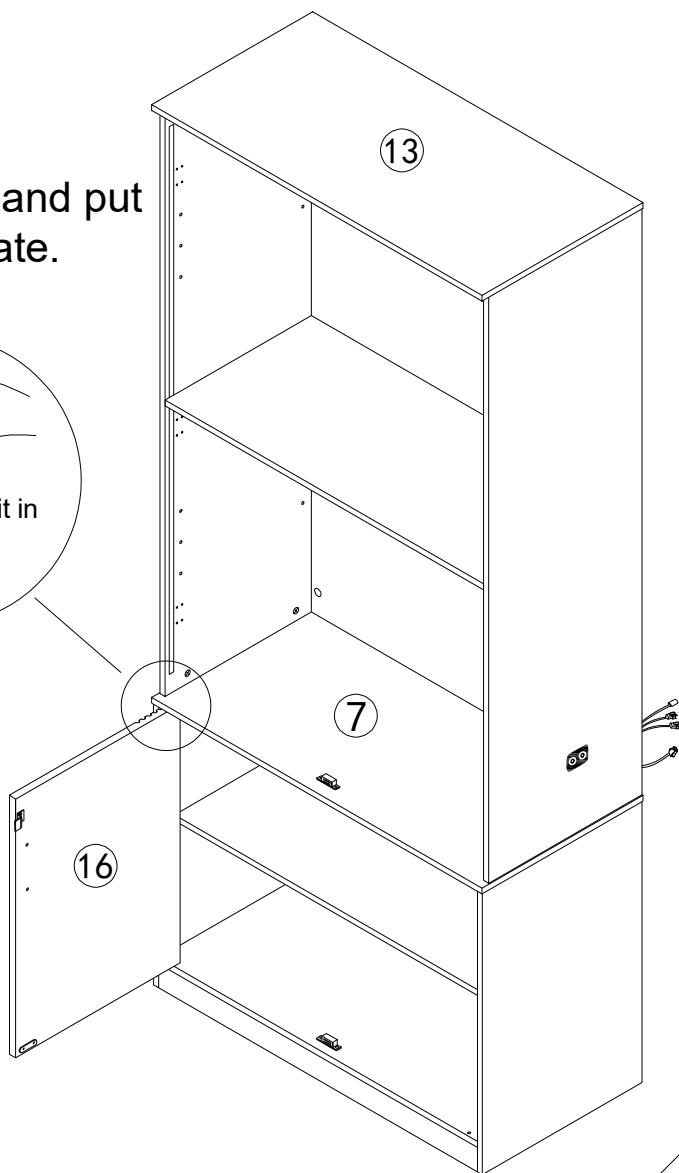
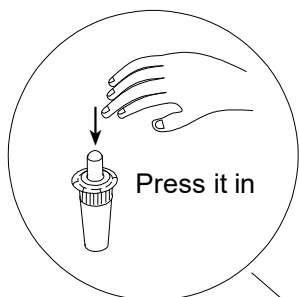


Step 32

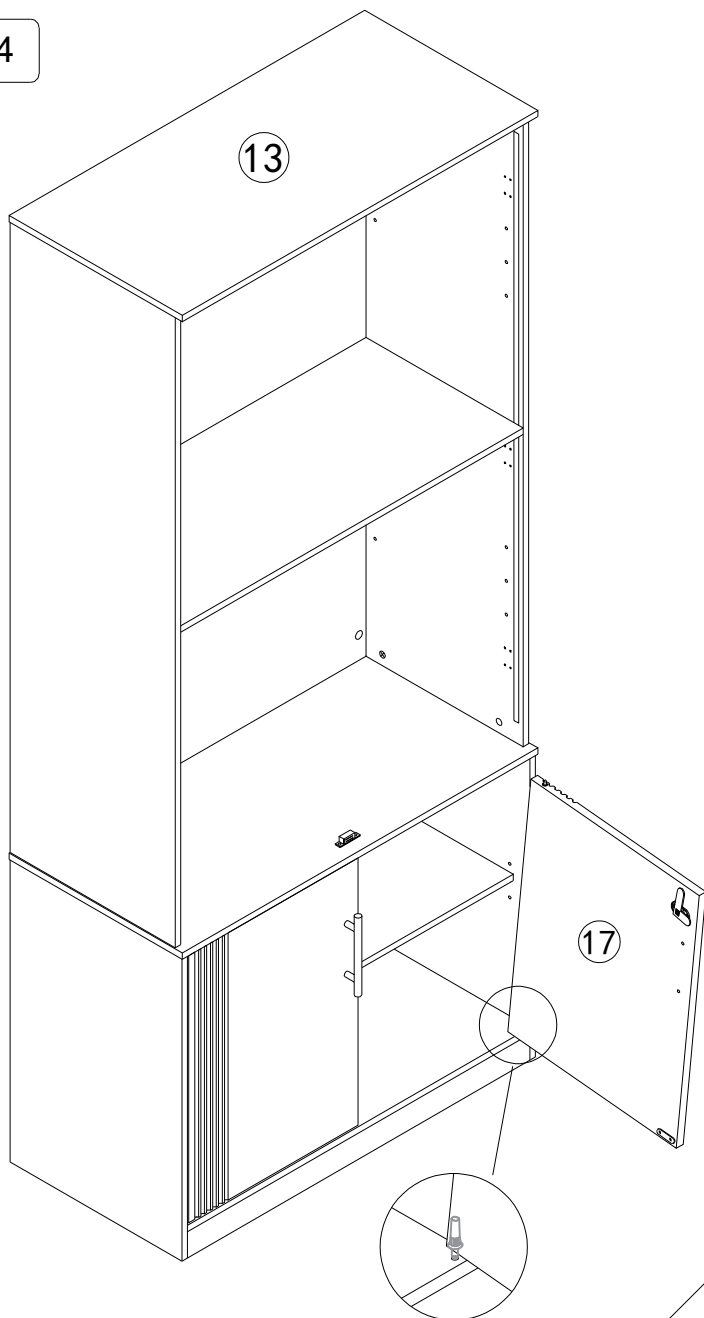


Step 33

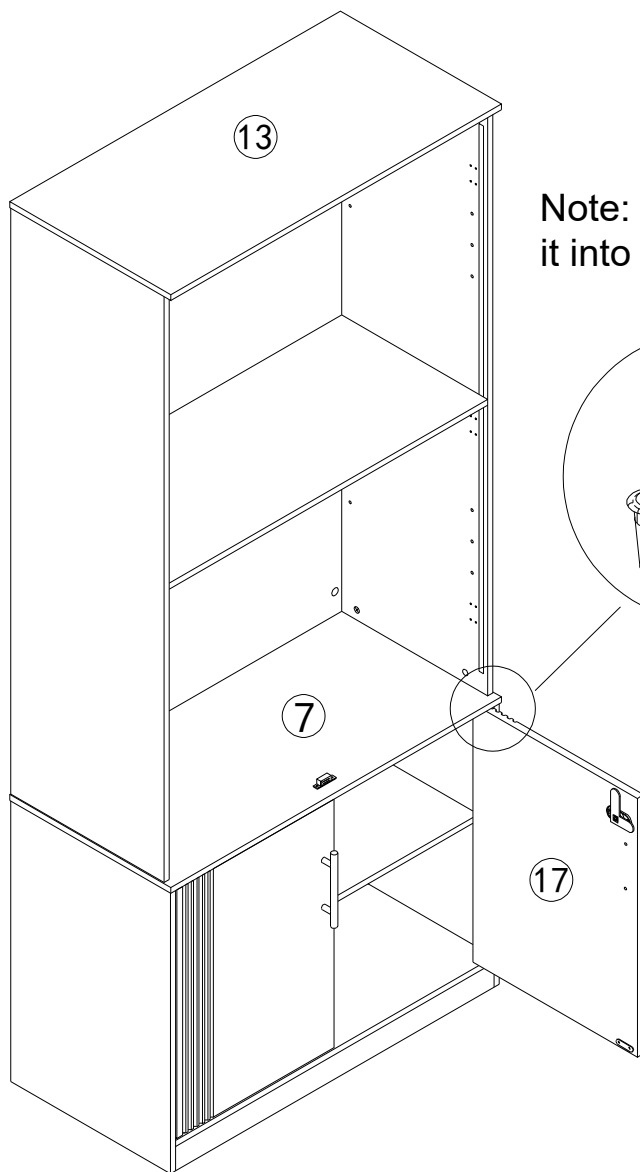
Note: Press J and put it into the 7-plate.



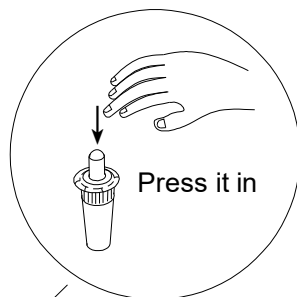
Step 34



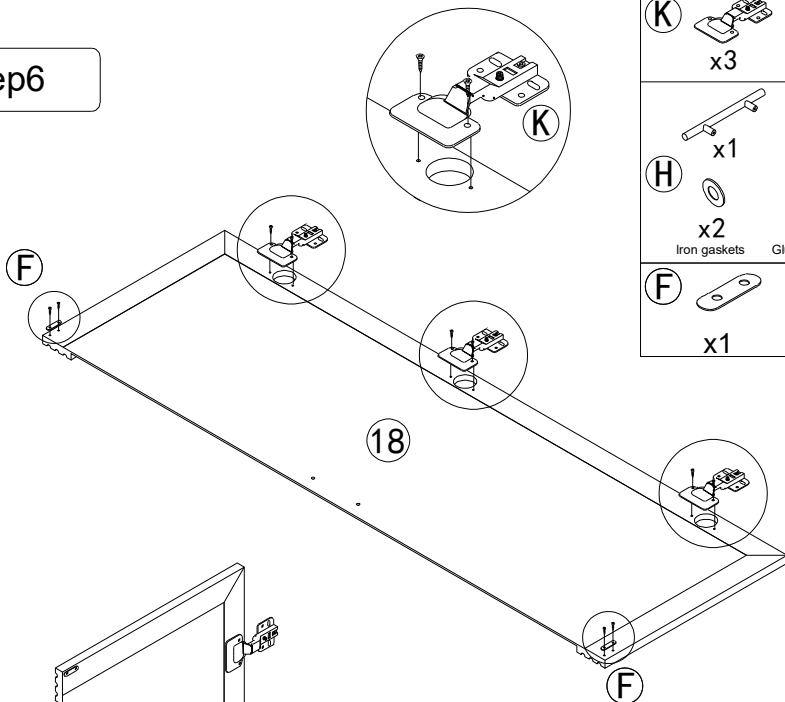
Step 35



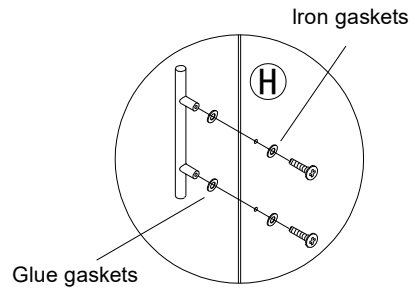
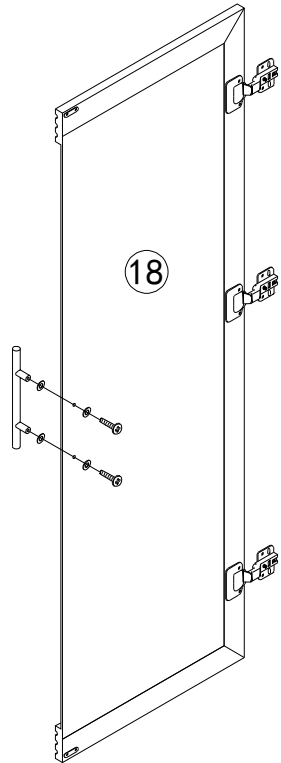
Note: Press J and put it into the 7-plate.



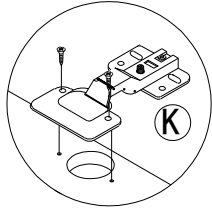
Step6



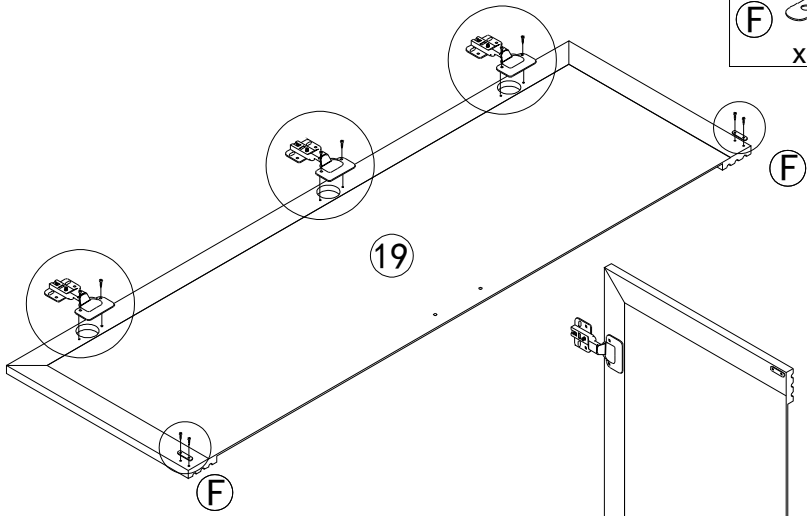
- | | | | | |
|-----|--|----|--|----|
| (K) | | x3 | | x6 |
| (H) | | x1 | | x2 |
| | | x2 | | x2 |
| (F) | | x1 | | x2 |
- Iron gaskets Glue gaskets



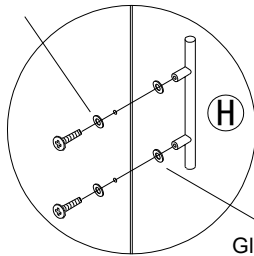
Step 37



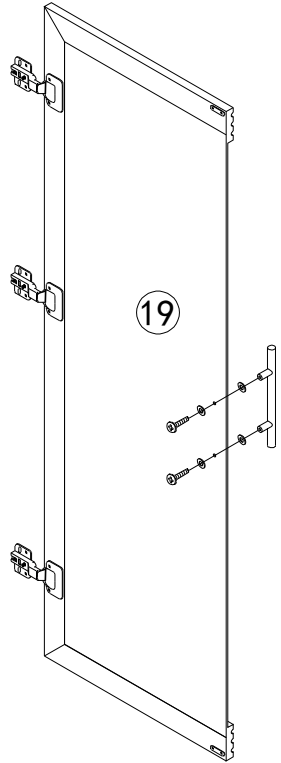
(K)		x3		x6
(H)		x2		x2
(F)		x1		x2



Iron gaskets



Glue gaskets



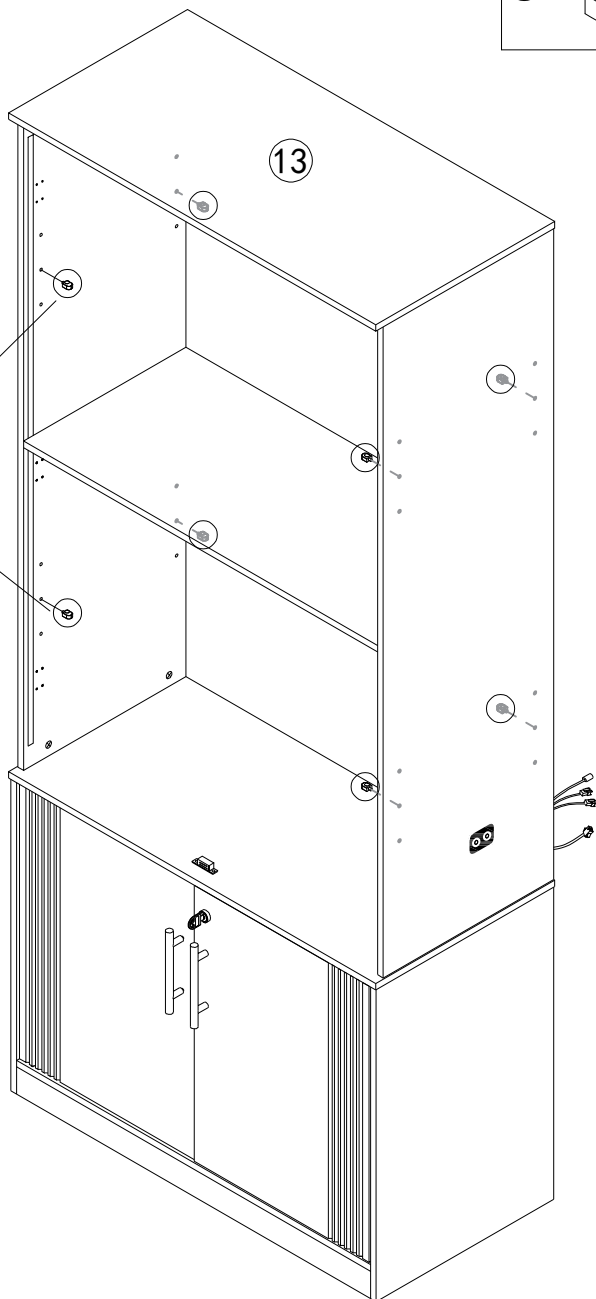
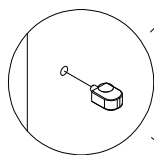
Step 38

G

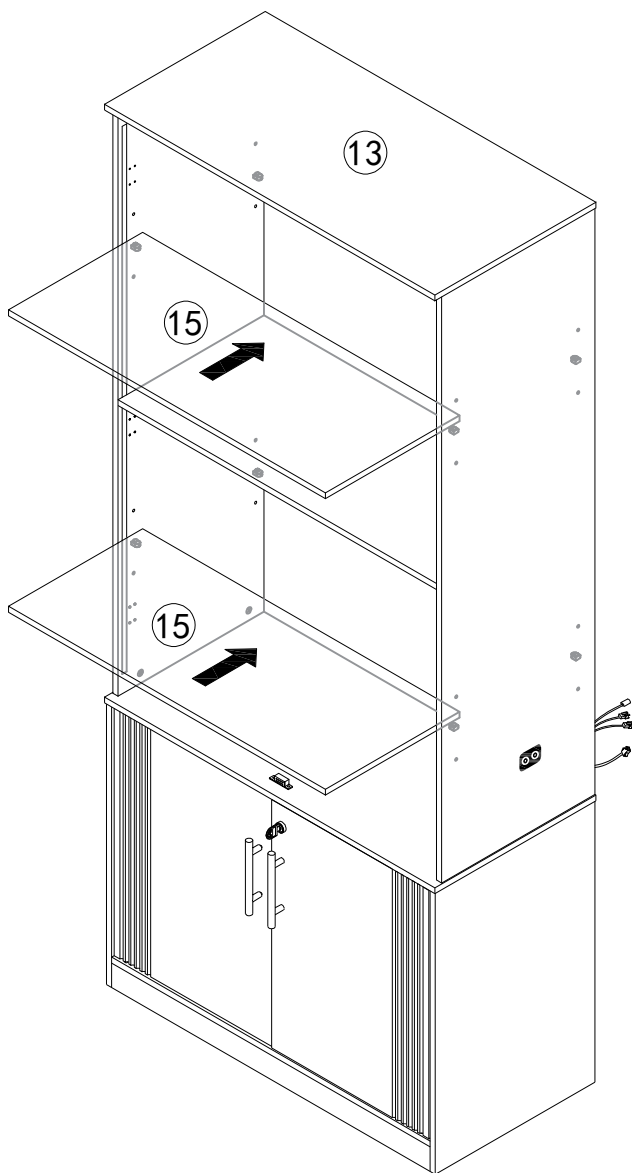


x8

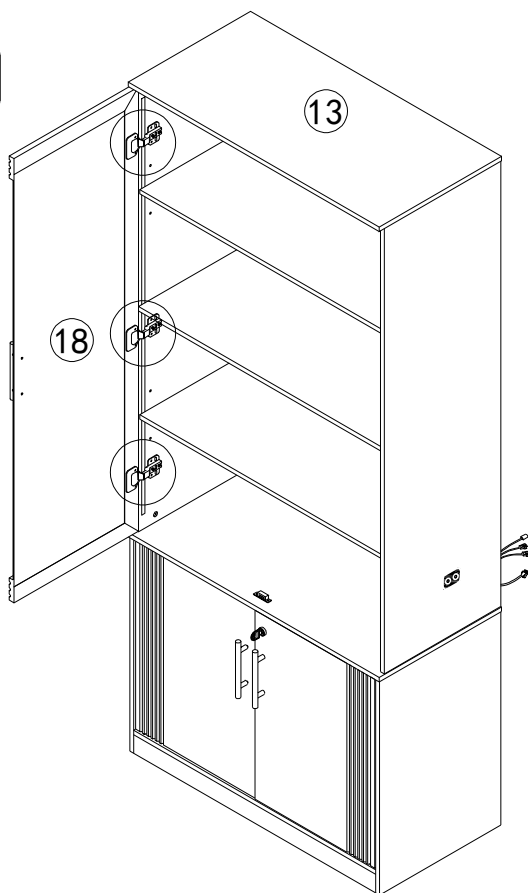
13



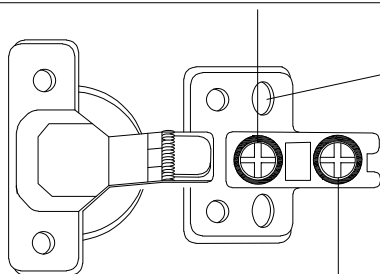
Step 39



Step 40



Turning this screw can effectively adjust the size of the door gap.



Adjust hole control the up and down height of the door

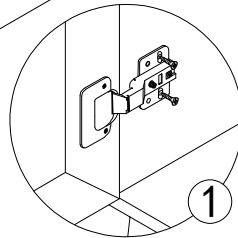
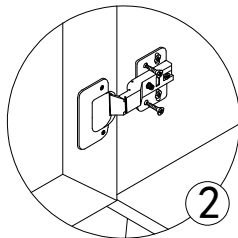
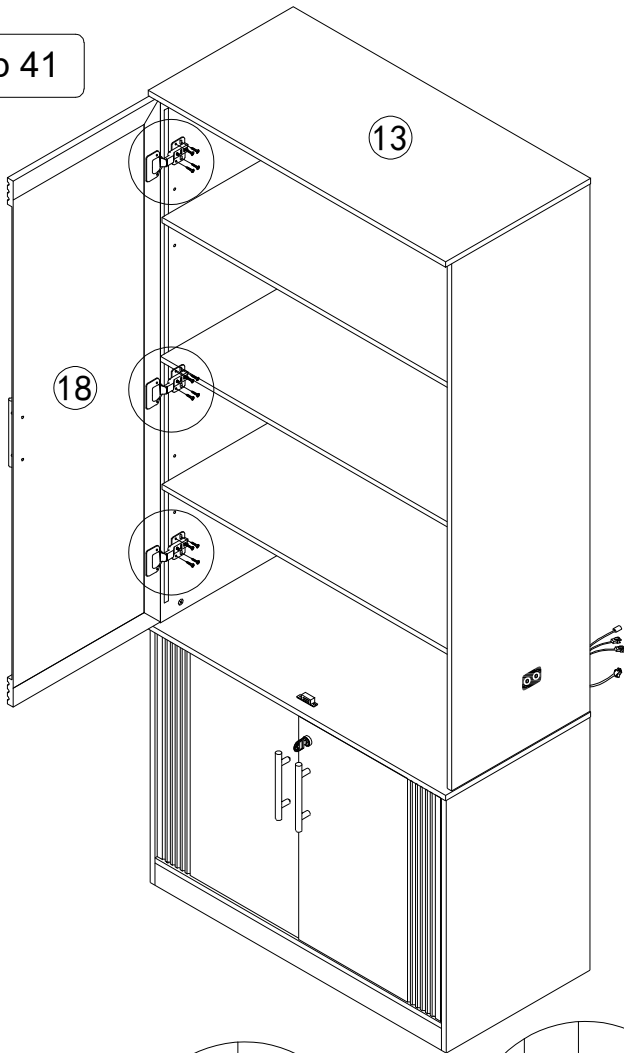
Turn this screw to adjust the door panel to be flat with the side panel.

Step 41

(K)

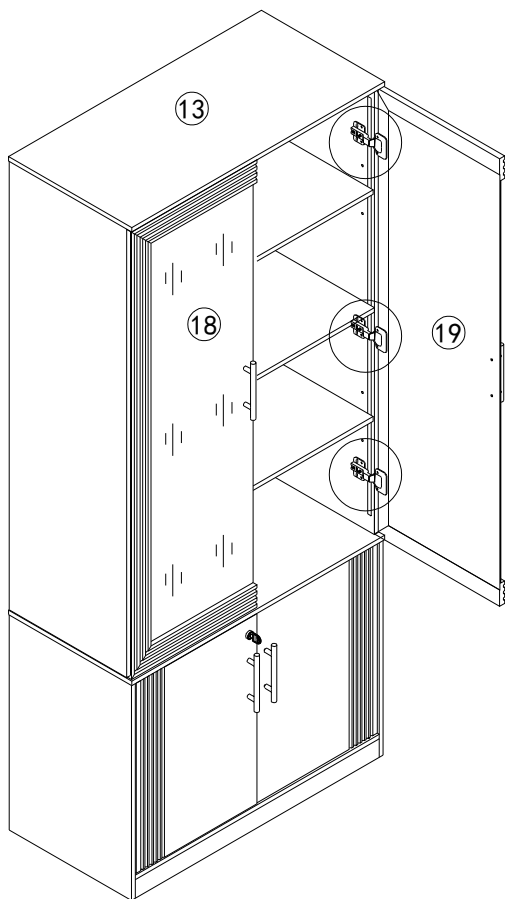


x12



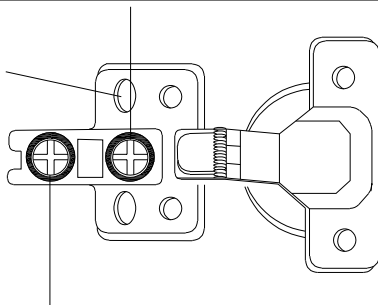
First lock the elliptical hole then lock the fixed hole

Step 42



Turning this screw can effectively adjust the size of the door gap.

Adjust hole control the up and down height of the door



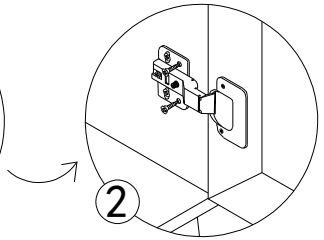
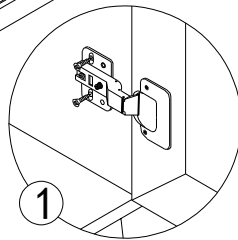
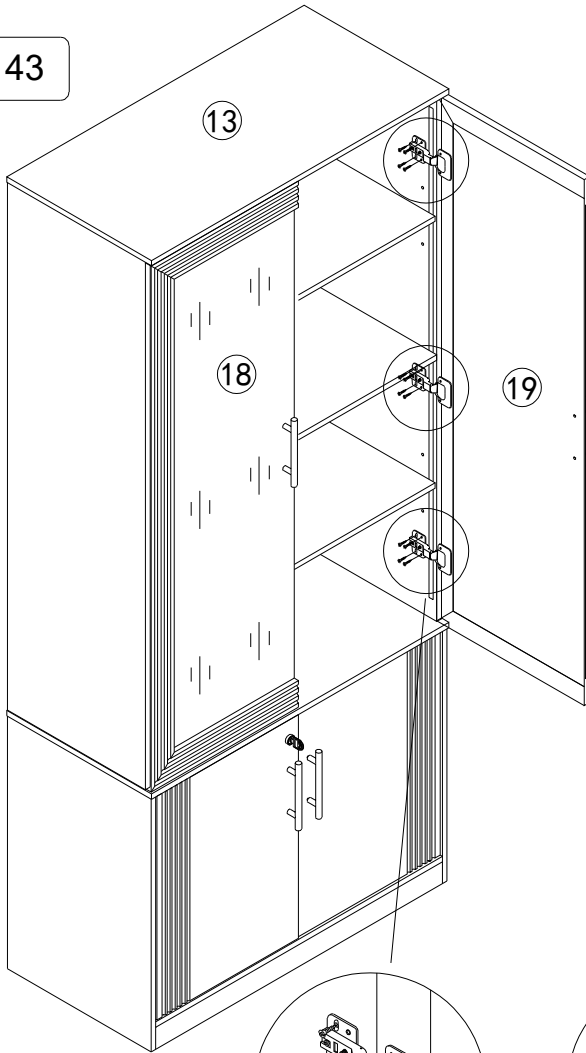
Turn this screw to adjust the door panel to be flat with the side panel.

Step 43

(K)

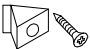


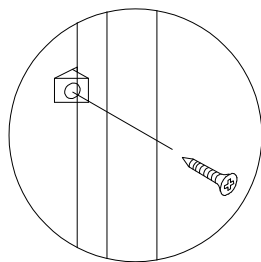
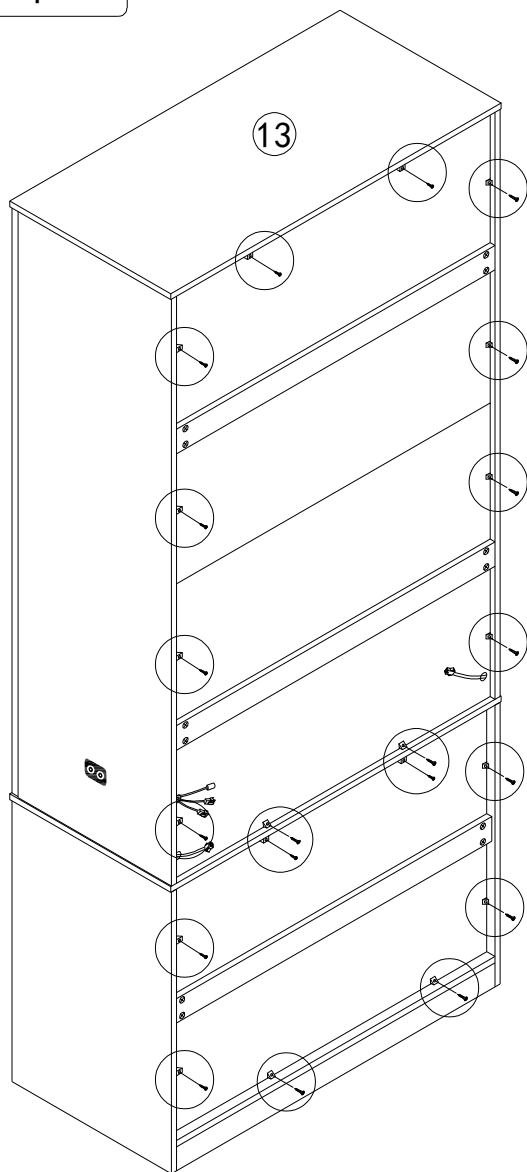
x12



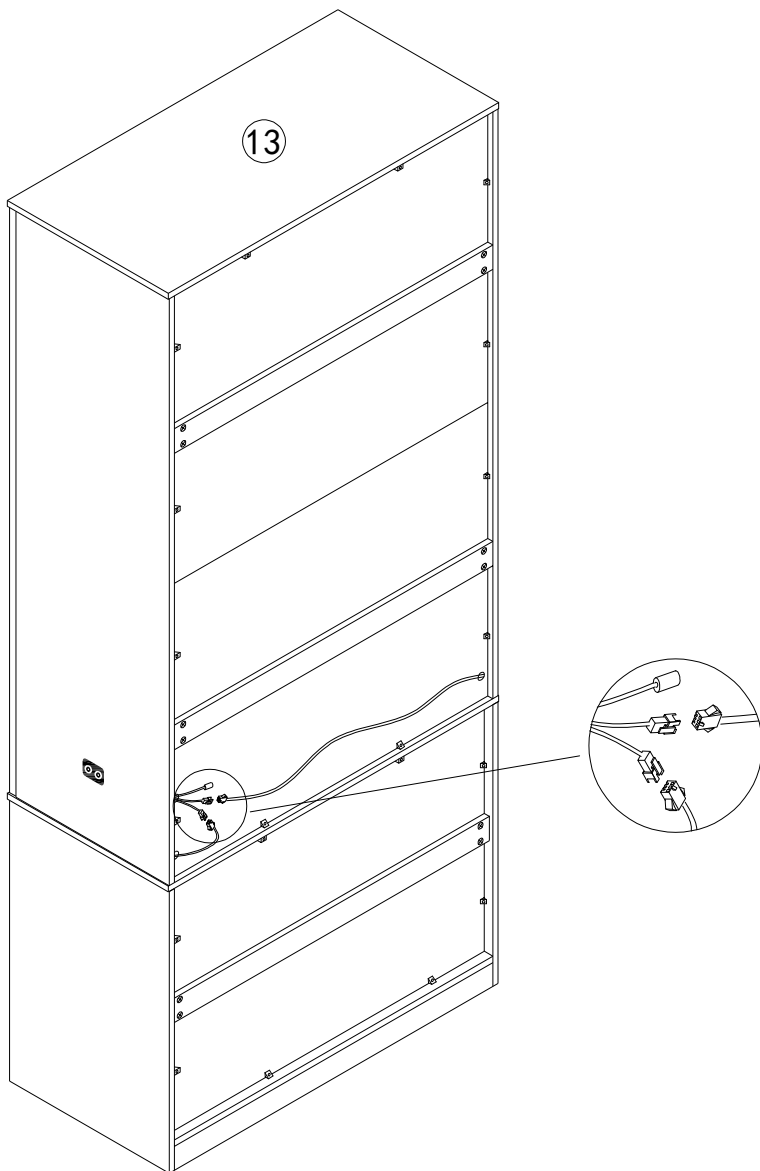
First lock the elliptical hole then lock the fixed hole

Step 44

(L)  x20

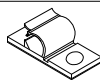


Step 45

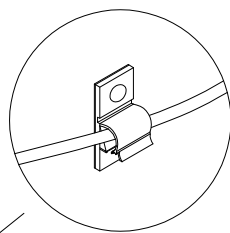
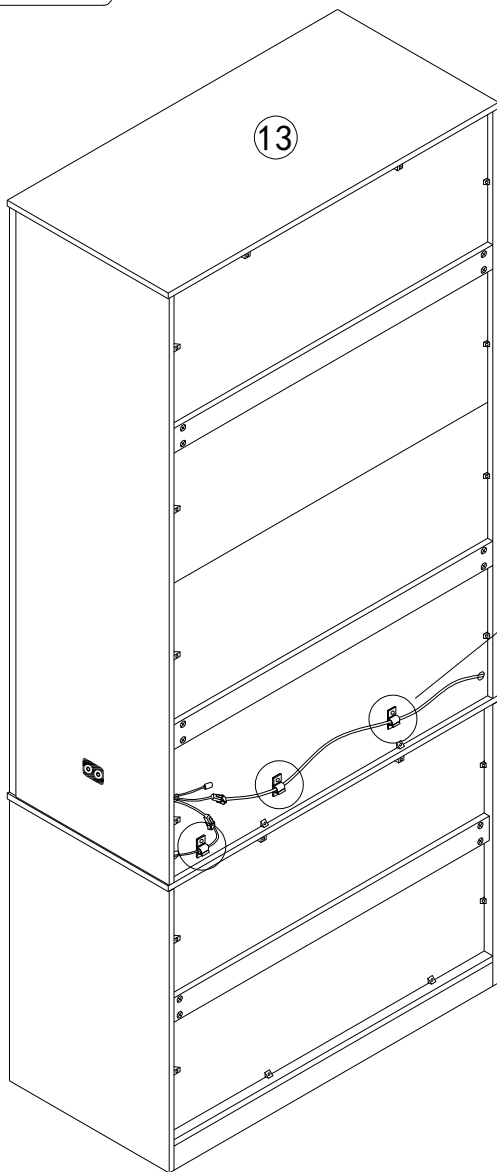


Step 46

M



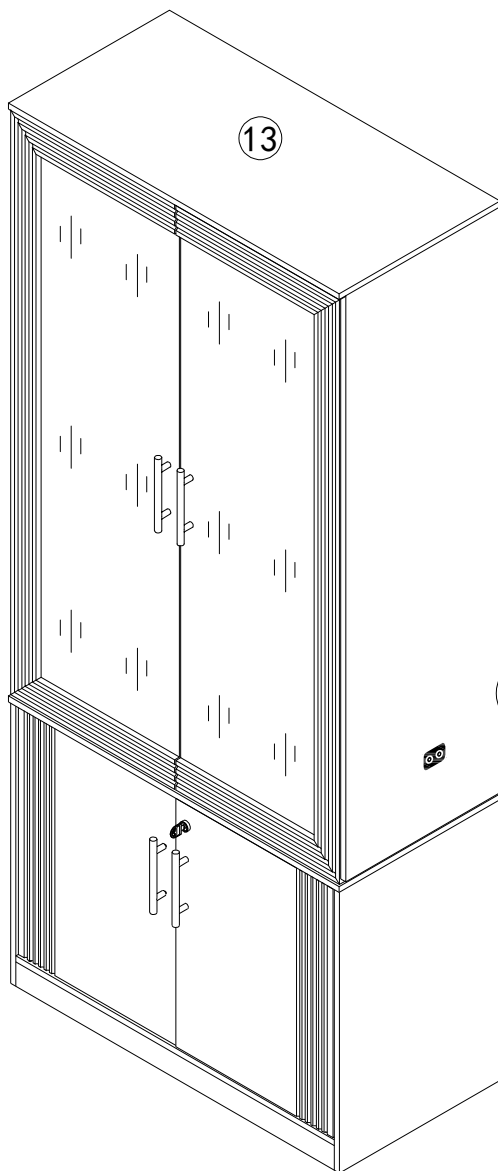
x3



Step 47



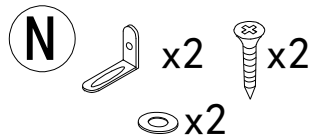
x1



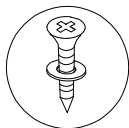
41

Step 48

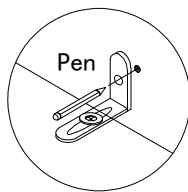
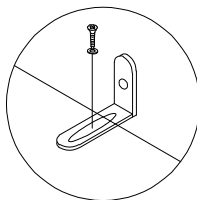
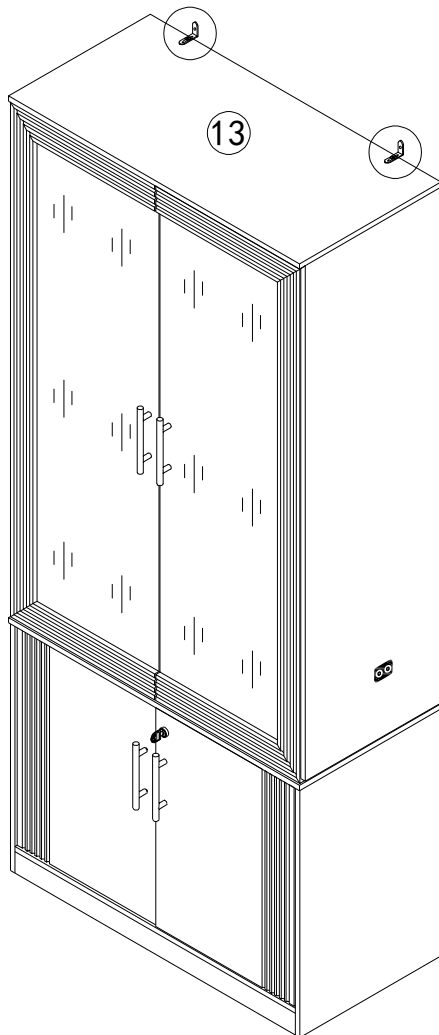
Install as required



3.5x14mm

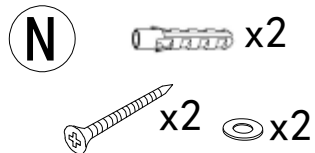
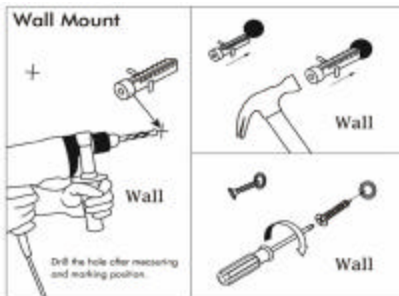


Install the anti fall hardware on the cabinet as shown in the picture first

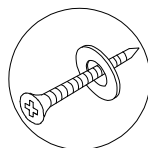
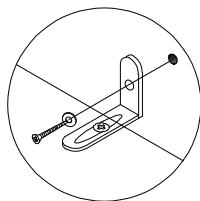
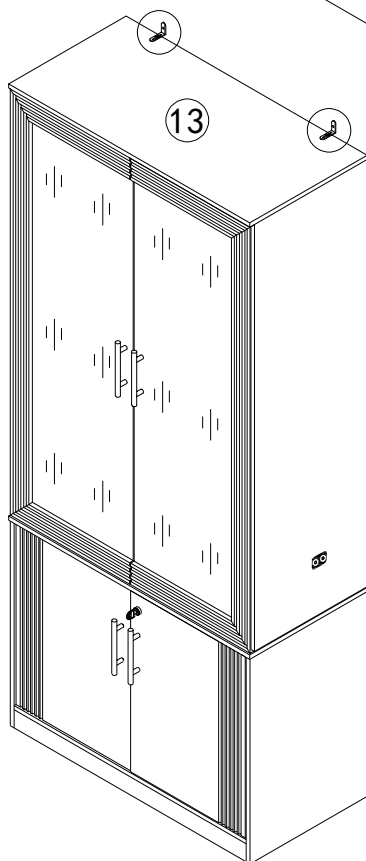


Then mark the wall with a pen through the holes in the anti-fall hardware

Step 49



Drill the hole with an electric drill and punch in the colloidal particles



4x45mm

Fix the dressing table to the wall

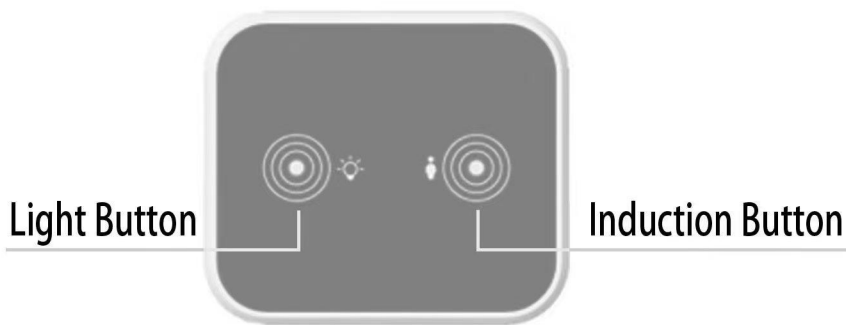
User's Guide

Thank you for purchasing this product. To use this product, please plug it into a 12V DC power supply. Please use if the product works normally after connecting to power.

Introduction

The box is an intelligent controller with 2 touch buttons. It can turn ON/OFF the light, change light colors, and adjust the light luminance.

Product Show



ATTENTION PLEASE

1. If there is no touch response suddenly, Re-plug the power to reset the touch static electricity.
2. If bubbles appear on the panel, remove the protective film.

Operation



This touch button is used to turn on/off, change colors, and adjust brightness.

- A. Short touch -> lighting on -> short touch -> change light color -> short touch -> change light color -> short touch -> lighting off. B. Long touch -> adjust the luminance



This touch button is used to turn on/off the induction function.

- A. Short touch to turn on the induction function. It can auto-turn on the light when people are close to the controller in 1 meters. It can auto power off the light when the body is far away from the controller after 30 seconds.
- B. Long touch to turn off the induction function.
- C. Note: When you touch the light button to change the light modes, the induction function will automatically turn off. It is best to turn on this function after selecting the light color and adjusting the brightness you want.