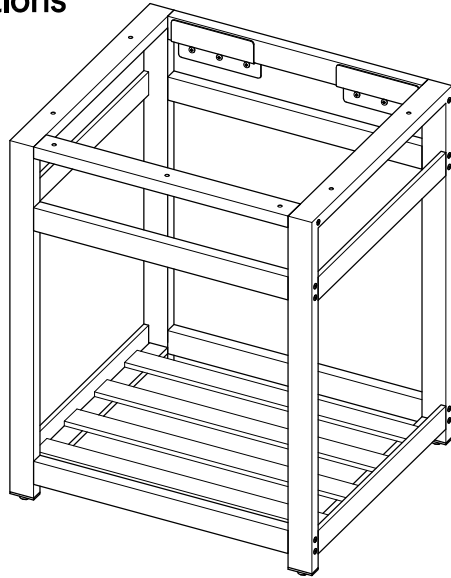


# KINGSTON FAUCETURE

## Steel Bathroom Console Sink Base Installation Instructions



### Parts:

Shape		Straight Tube							
<b>A</b>	<b>B</b>	<b>C</b>	<b>D</b>	<b>E</b>	<b>F</b>	<b>G</b>	<b>H</b>	<b>I</b>	<b>J</b>
1Pc	1Pc	1Pc	1Pc	4 Pcs	4 Pcs	4 Pcs	8 Pcs	20 Pcs	2 Pcs
		Screw		Bolt		Mounting Bracket			
		Ø23.5mm	1/4" x 19mm	1/4" x 75mm					

www.kingstonbrass.com

TOLL-FREE CUSTOMER SERVICE: 1-877-2-KBRASS  
TECHNICAL SUPPORT E-mail: service@kingstonbrass.com  
12775 Reservoir Street, Chino, CA 91710

### CAUTION

Failure to follow all installation directions may cause product to detach from the wall and cause serious injury

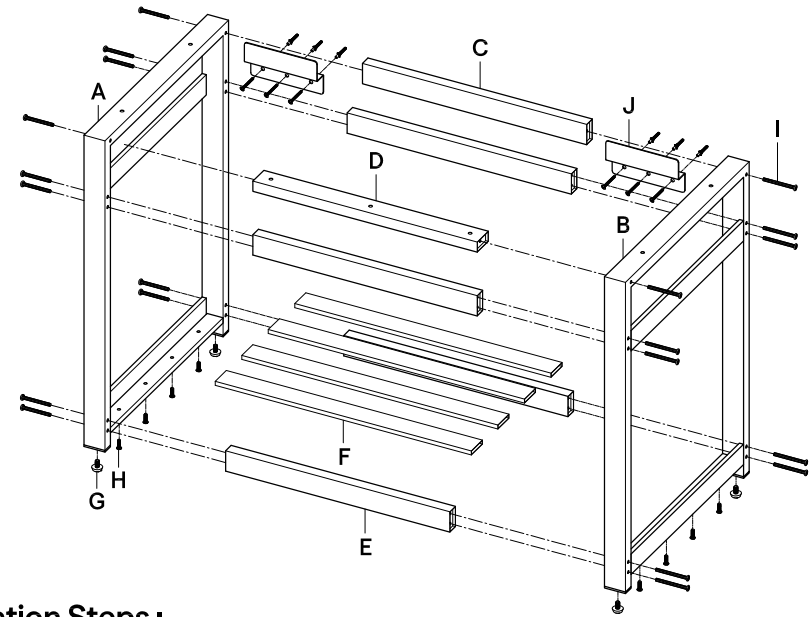
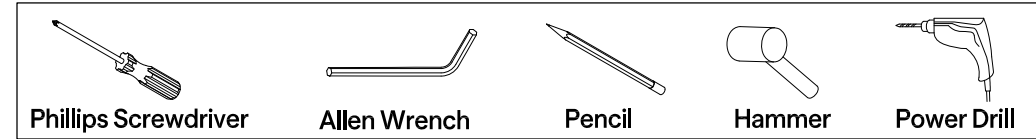


### WARNING

#### Lifting hazard.

Single person lift could cause injury.  
Use assistance when moving or lifting.

### Tools Required



### Installation Steps:

- Step 1. Thread adjustable leg screws "G" to the bottom of parts A & B.
- Step 2. Locate part C and join parts A & B by attaching part "C" to the top rear of the support assembly using the attached Allen bolts "I".
- Step 3. Locate part "D" and attach to the top front of the assembly, holes should be on the top surface of the support beam.
- Step 4. Vertically attach support beams "E" to the front and rear of the support structure.
- Step 5. Place Bottom rack slats "F" on the bottom support beams on Parts "A" & "B" and secure using enclosed Phillips screws "H".
- Step 6. Level entire structure by adjusting leg screws "G" as necessary.
- Step 7. Once unit has been assembled place at the desired location and after leveling draw a line across the bottom of the top vertical beam (C).
- Step 8. Remove the Console sink base, find the location of the wood studs and using the marked line as a guide to install support brackets at the location of the studs, make sure at least one of the screws is secured to the wood; you will need an anchor to secure from a secondary point in the bracket.
- Step 9. The depth of wall drill hole for installing anchor should be 40mm (1-5/8") Min.
- Step 10. Slide Console sink base into place and attach top sink.

### Cleaning

Clean with a damp cloth only.  
Avoid using metal or abrasive polishes.

©2025 LVC Kingston LLC. All Rights Reserved.  
2025-05-D