

OW7104-1BK-1W  
**OPERATIONS MANUAL**

# Instruction



### Where to Place Your Outdoor Wall Lights

If you have one light next to your entryway or garage door, then it should be 1/3 of the height of the door. If you will be placing one light on each side of the door, then the lights should be 1/4 of the height of the door. To do this, measure from the floor to the top of your door, then divide by 4 for two lights or 3 for one light. For example, if your door is 80" tall, divide by 4, and buy two lights that are each 20" tall. The lights should also be placed 66" from the floor or ground to properly illuminate the lock and handle. Lights should also be placed 6" from the edge of the door. If you choose to have only one light, make sure it is placed on the side of the door closest to the door handle.

**Helpful Tip:** This product is equipped with a dusk-to-dawn sensor. Please pay attention to the installation height to ensure that no objects such as eaves cover the sensor, as this may cause the light to remain on constantly.

### 1. Does it feature a dusk-to-dawn sensor?

Absolutely, it does! This sleek exterior light fixture boasts an intelligent dusk-to-dawn sensor that seamlessly transitions from off to on as nightfall approaches, automatically adjusting to ambient light levels below 20 LUX. And in the morning, when brightness exceeds 90 LUX, it turns off, saving you energy and eliminating the need for manual operation.

### 2. What could be the reason if the lamp does not turn on during installation?

If you find that the lamp remains off during installation, it's most likely due to the dusk-to-dawn sensor's natural deactivation during daylight hours. To verify the lamp's functionality, simply cover the sensor with your hand or a cloth after turning on the power switch. If the lamp illuminates, this confirms that the lamp is working as intended and the issue is related to the sensor's automatic day/night cycle.

### 3. What if I do not need the dusk-to-dawn functionality?

No worries! This fixture comes thoughtfully designed with a convenient rubber cap that allows you to easily disable the dusk-to-dawn feature. Simply slide the cap over the sensor whenever you prefer manual control over the lamp's operation.

### 4. What should I do if the glass lampshade I received is cracked or broken?

We understand that receiving a damaged product can be disappointing. If you find that your glass lampshade is cracked, broken, or otherwise not in perfect condition, please contact us immediately. Our customer service team is dedicated to providing you with the best possible solution and ensuring your satisfaction.



**OW7104-1BK-1W installation steps:**

Step 1: Unscrew screw E from the lamp body and remove the hanging plate C;

Step 2: Install the hanging plate C lock on the junction box A with screw D;

Step 3: With the terminal B, connect the black, white and ground lines with the input lines respectively;

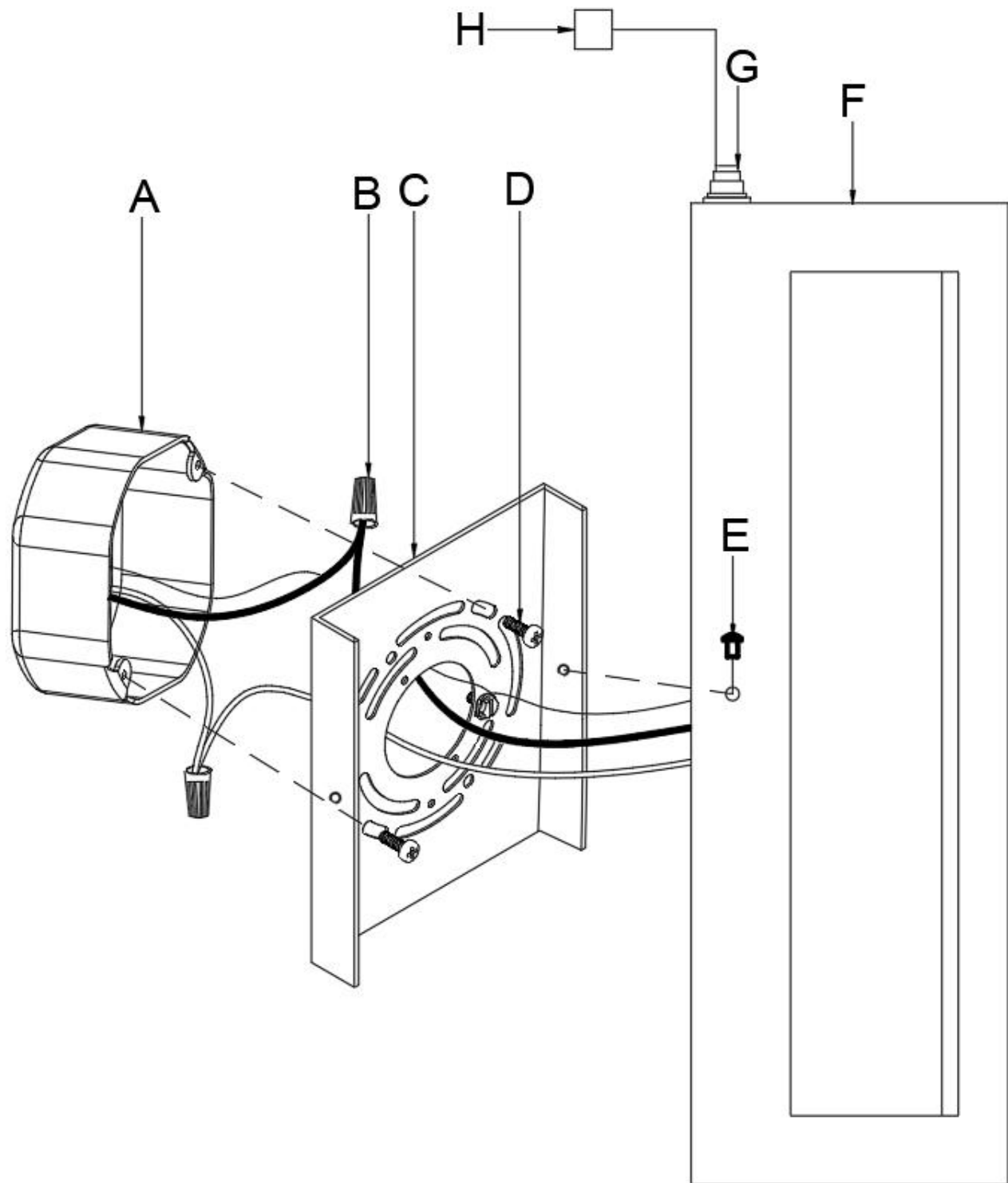
Step 4: Lock the lamp body on the hanging plate C with screw E;

Installation completed

Note: When the lamp does not need automatic sensing, cover this cap (H) on the light control

Tip: When installing the light during daytime, use the small black cap from the accessory kit to cover the sensor and test the wall light. Once the light is confirmed to be working, remove the cap to enable Dusk-to-Dawn mode. To switch to manual control the cap can remain in place.

Note: In addition to its light control function, this lamp also features RGB lighting effects. It can be operated via a remote control or by connecting and controlling it through a mobile app (download required). For detailed usage instructions, please refer to the attached page

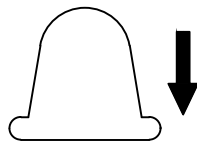


# RGBCW-5 Colorful Remote Control Button Instructions

Press and hold the light on button for code matching within 15 seconds of power on, and press and hold the light off button to decode

Turn off lights/automatic cycle mode		Auto		Turn on the light
Brightness -/Colorful Dimming		Color		Brightness+
Red light/green light		G		Blue light
color temperature -/Cold white warm white switching		W		color temperature +
Dynamic mode+ /external label signal+				Dynamic effects+
Dynamic mode- /external label signal-				Dynamic effects-
1H shutdown/2H shutdown				3H shutdown
External label dynamics 1/External label dynamics 2				External label dynamics 3

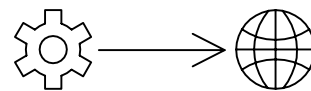
Remove the insulation sheet before use



Note: Therefore, the remote control includes a DIY mode, where some button functions may mix and match, resulting in some buttons being ineffective under specific functions and not considered as button function failure



Mobile control, please scan the code to download the Baolian Lamp Pro APP first, then turn on Bluetooth and enter the Baolian Lamp APP to connect



After opening, language switching can be set in the upper left corner of the interface