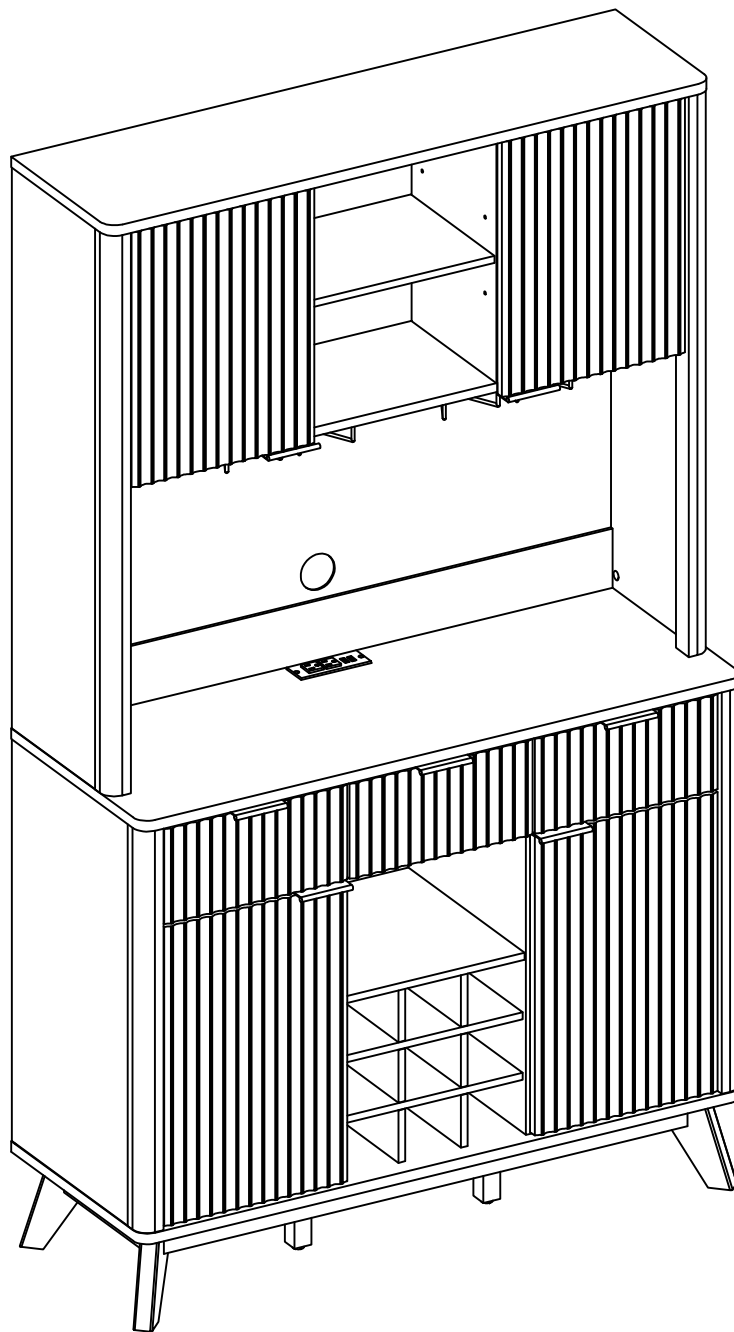


AI - FPSC42BWH

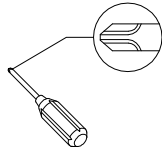
Assembly Instructions



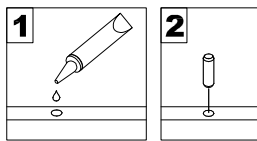
Date 2024-10-12 Rev.01-A

General Assembly Guidelines

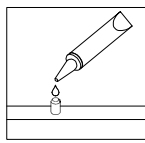
- I. Ensure that all parts and hardware are available before beginning assembly.
- II. Follow each step carefully to ensure the proper assembly of this product.
- III. Two people are recommended for ease in the assembly of this product.
- IV. A Phillips head screwdriver is required for the assembly of this product .



- V. The provided glue is to secure wood dowels in place . When first inserting dowels , locate the appropriate hole for the dowel , place a small amount of glue in the hole and insert the dowel . Wipe away excess glue immediately.

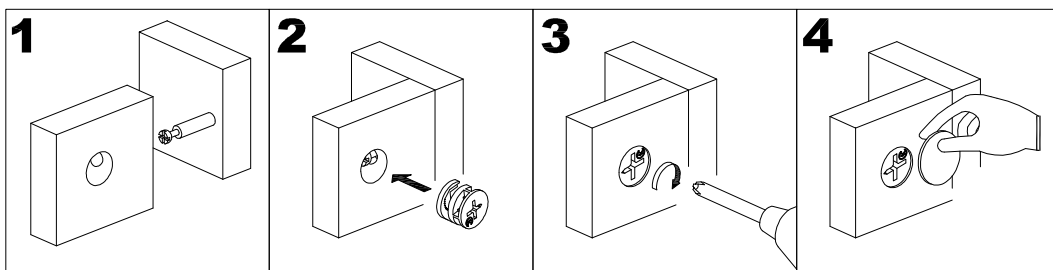


In future assembly steps when dowels are necessary to attach assembly parts together , place a small amount of glue on the end of the dowel before attaching parts together . Wipe away excess glue immediately.

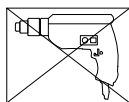


VI HOW THE KNOCK DOWN (KD) ASSEMBLY SYSTEM WORKS

- 1.Screw the Cam Bolt into the pre-drilled hole on the panel. Make sure Cam Bolt goes into the pre-drilled hole on the end of panel for Cam Lock.
- 2.Insert the Cam Lock into the pre-drilled large hole on the panel. Make sure the arrow on the face of Cam Lock points towards Cam Bolt.
- 3.Take a Phillips screwdriver and rotate the Cam Lock clockwise to lock the Cam Bolt.
- 4.Use the sticker to conceal the Cam.

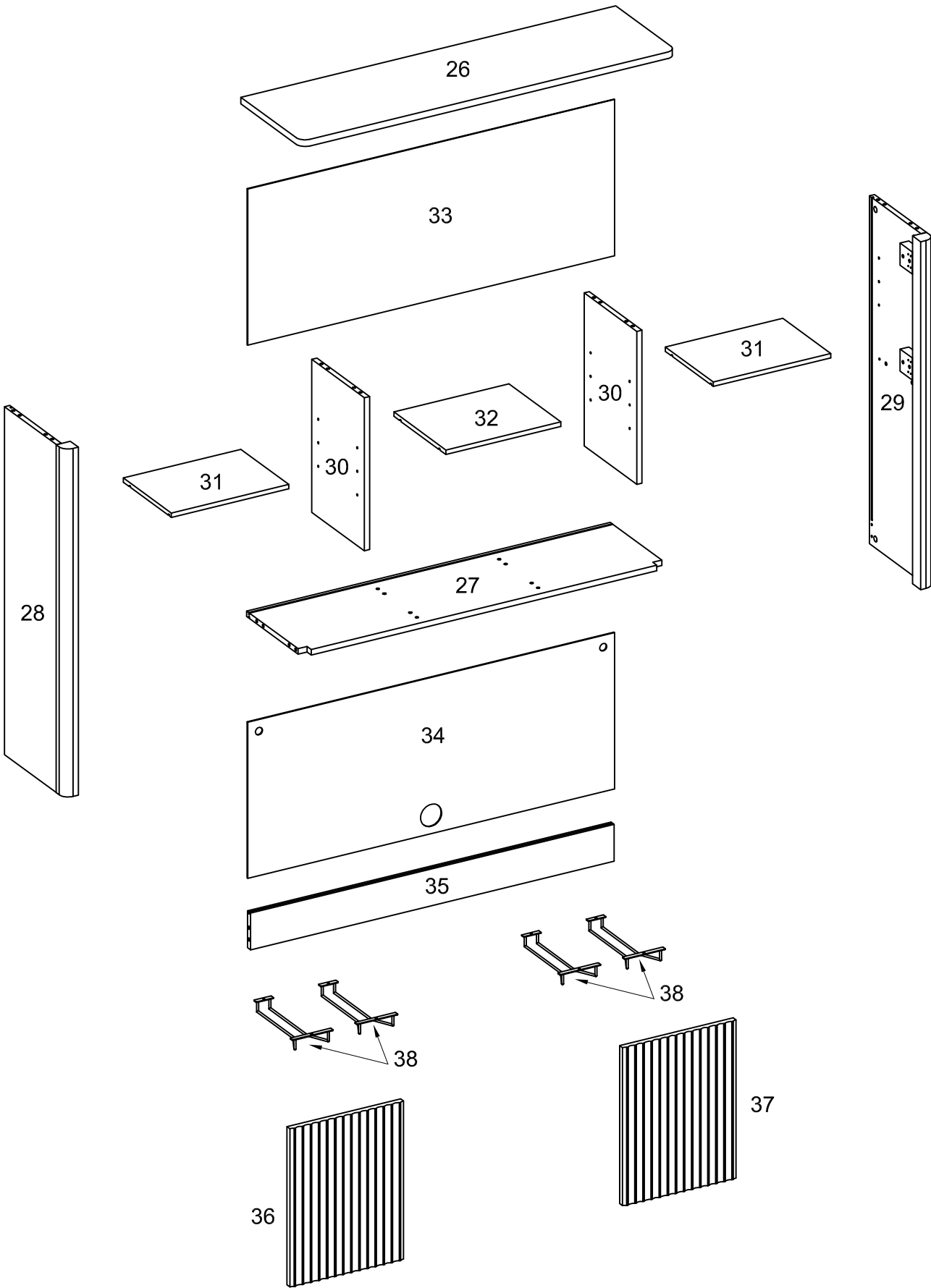


- VII. Power tools should not be used to assemble this product .

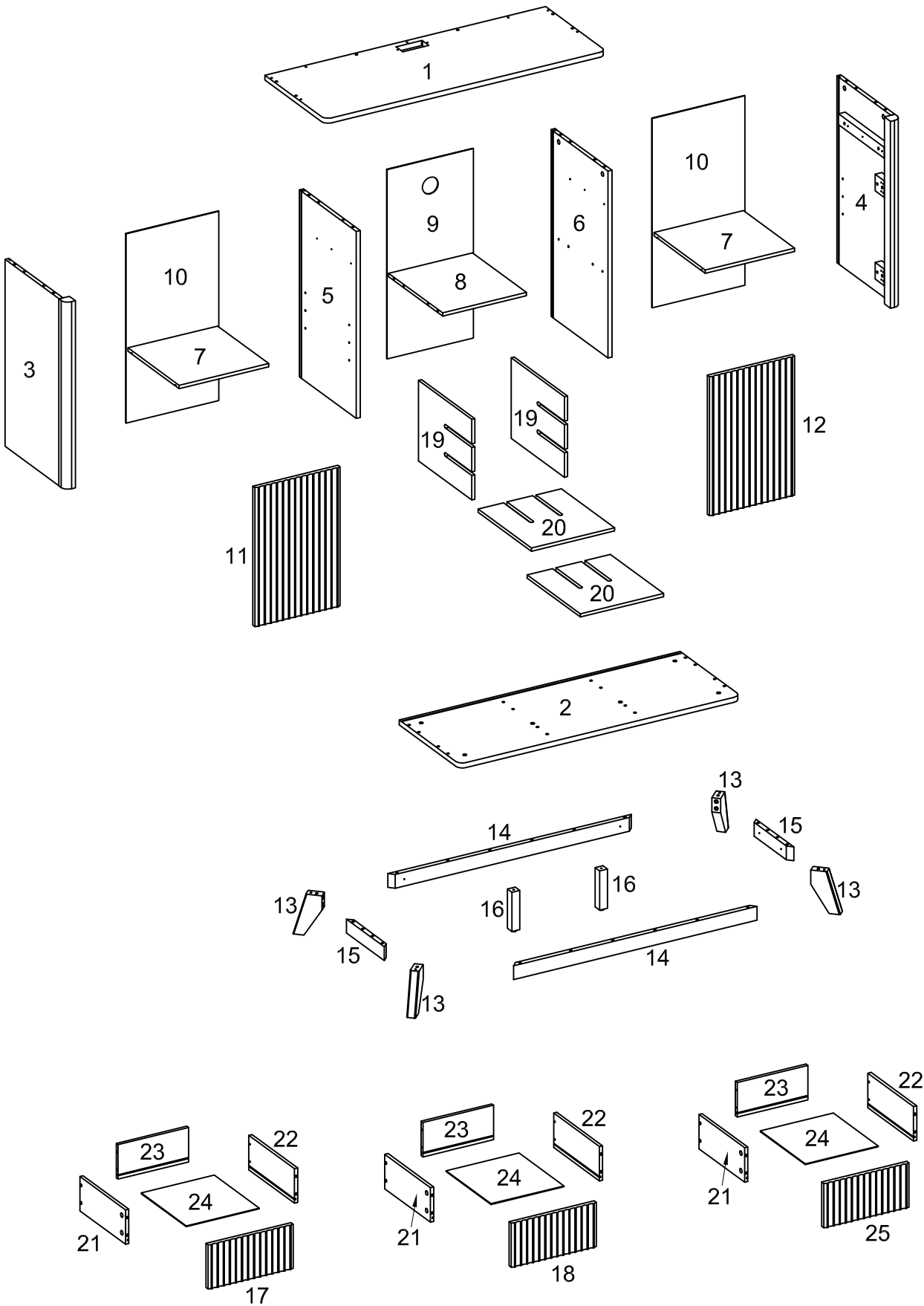


⚠ WARNING **INGESTION HAZARD • DEATH** or serious injury can occur if ingested • A swallowed button cell or coin battery can cause **Internal Chemical Burns** in as little as **2 hours**.
• **KEEP** new and used batteries **OUT OF REACH OF CHILDREN** • **Seek immediate medical attention** if a battery is suspected to be swallowed or inserted inside any part of the body.


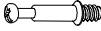


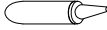
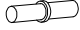
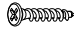

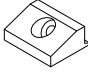
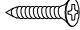




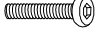
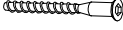

Parts List

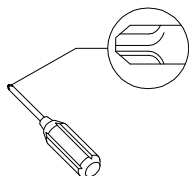


Parts List



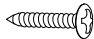
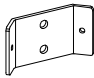

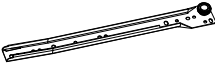

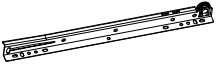
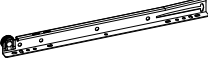
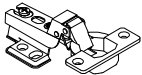


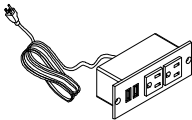
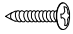

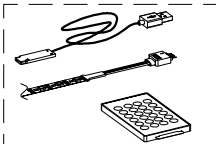
Hardware List

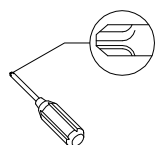
A		Ø8x30mm	Large Dowel	50 pcs
B		Ø6x35mm	Cam bolt	47 pcs
C		Ø15x11mm	Large Cam lock	31 pcs
D		Ø30mm	Cam cover	47 pcs
E			Glue	2 pcs
F		Ø5x16mm	Shelf support pin	20 pcs
G		Ø3.5x14mm	Screw	14 pcs
H			Knob	7 pcs
J			Plastic wedge	46 pcs
K		Ø3x17mm	Flat-head screw	46 pcs
L		Ø15x9mm	Small cam lock	16 pcs
M		Ø4x38mm	Screw	12 pcs
N		Ø6x55mm	Bolt	12 pcs
P		M 4	Allen Wrench	1 pc
Q		Ø6x28mm	Bolt	8 pcs
R		Ø6x50mm	Screw	18 pcs
S			Tipping Restraint Hardware	2 set



Philips head screwdriver required for assembly
(not included)

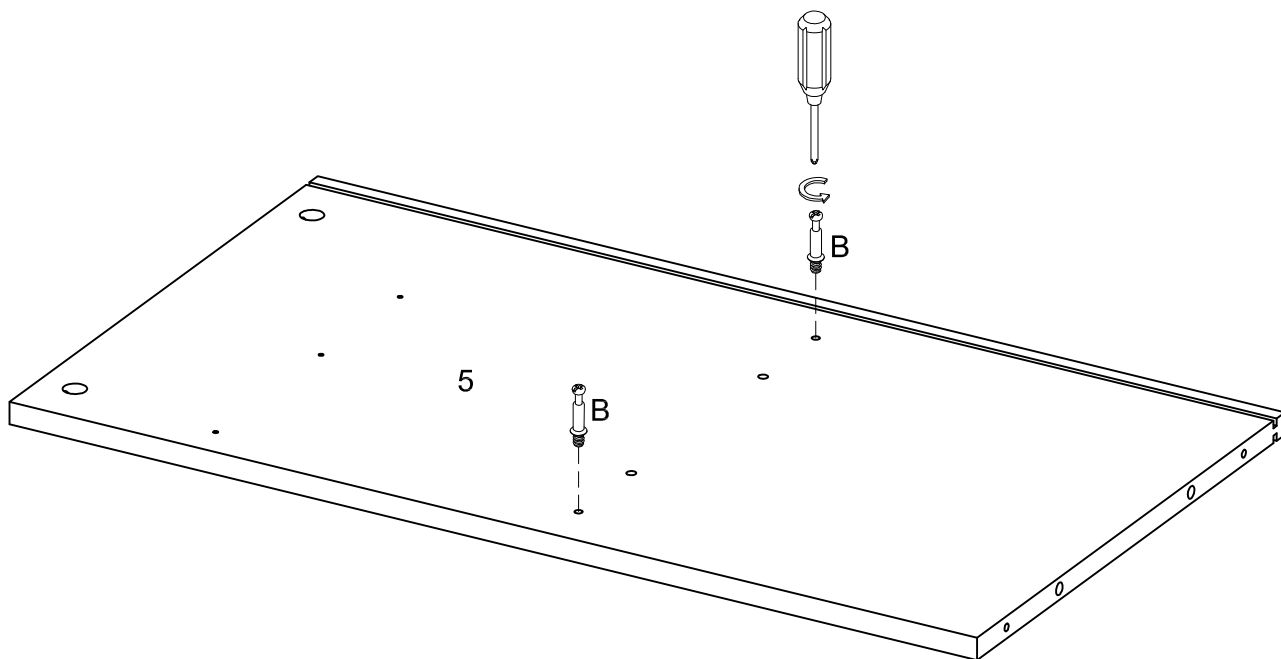
Hardware List

T		Ø5x14mm	Screw	8 pcs
U			Angle Bracket	4 pcs
V		Ø3.5x12mm	Screw	38 pcs
W		12"	Left Glide Track	3 pcs
X		12"	Right Glide Track	3 pcs
Y		12"	Left Glide Runner	3 pcs
Z		12"	Right Glide Runner	3 pcs
AA		Ø35mm	Europe Hinge	8 pcs
BB		Ø3.5x14mm	Hinge screw	56 pcs
CC		Ø6x30mm	Small dowel	4 pcs
DD			USB Interface	1 pc
EE		Ø3x12mm	Screw	12 pcs
FF			Clips	6 pcs
GG			Led strip light (Included in plastic bag)	1 set

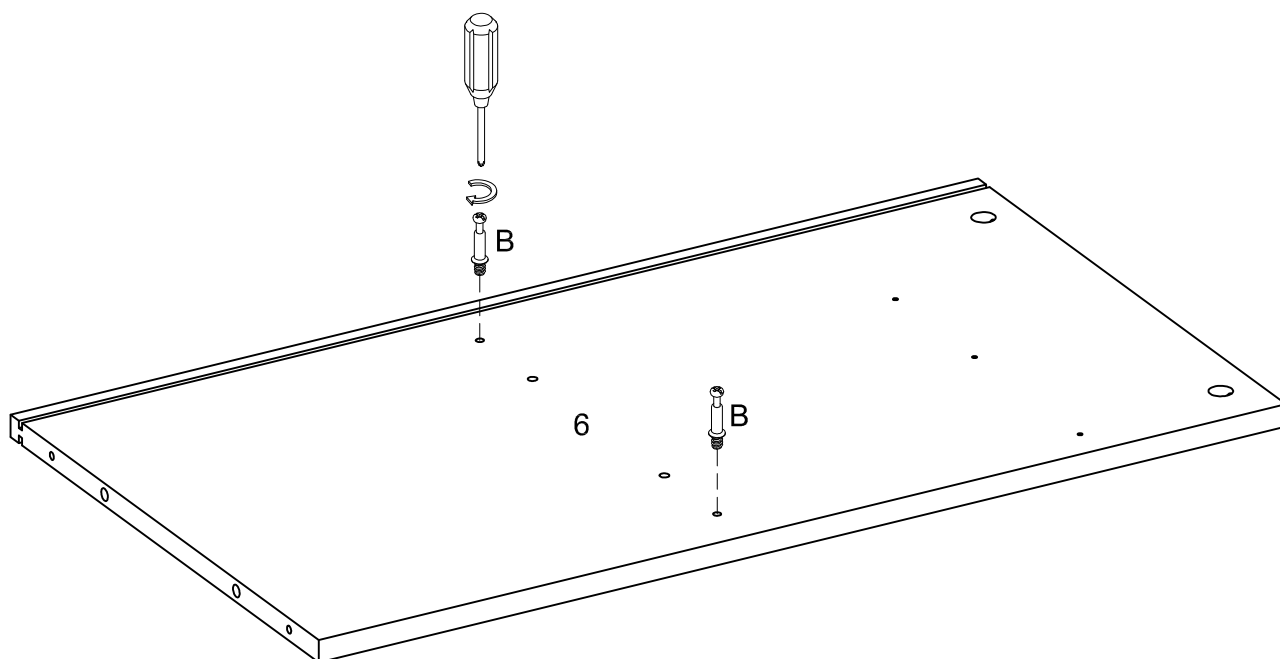


Philips head screwdriver required for assembly
(not included)

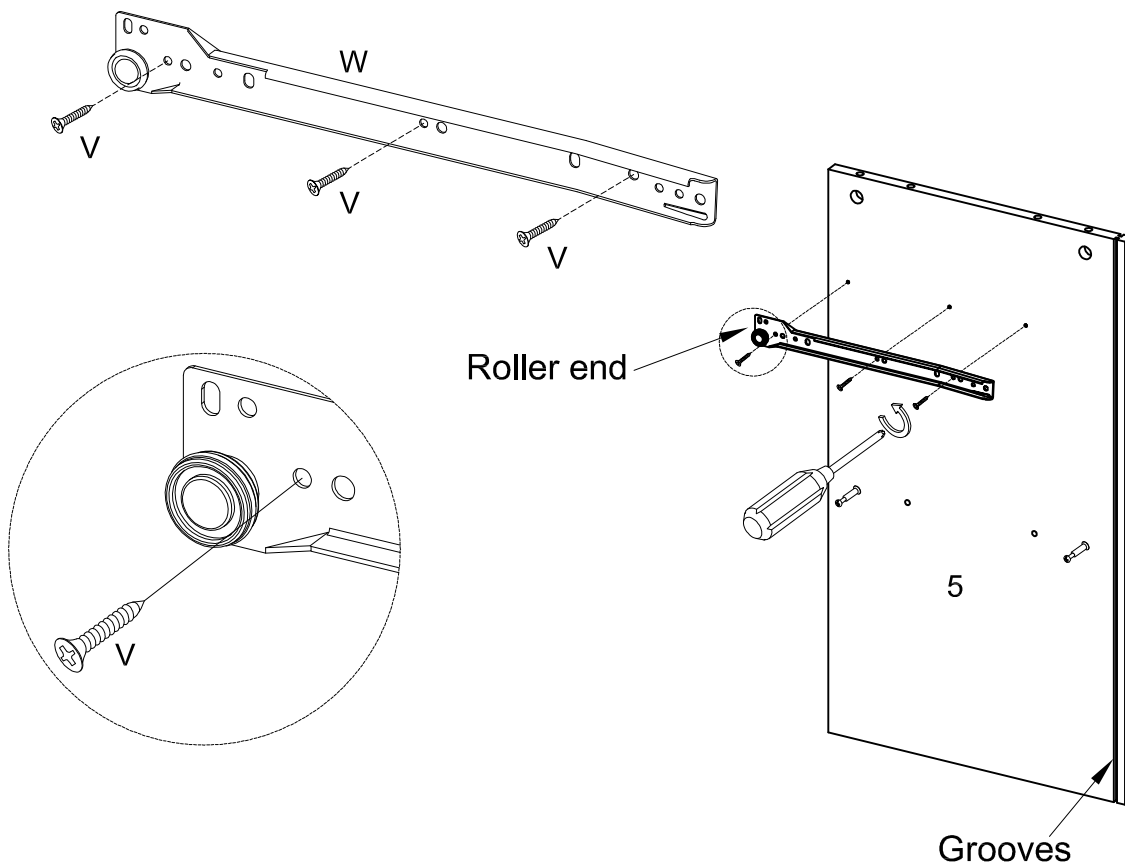
Step 1



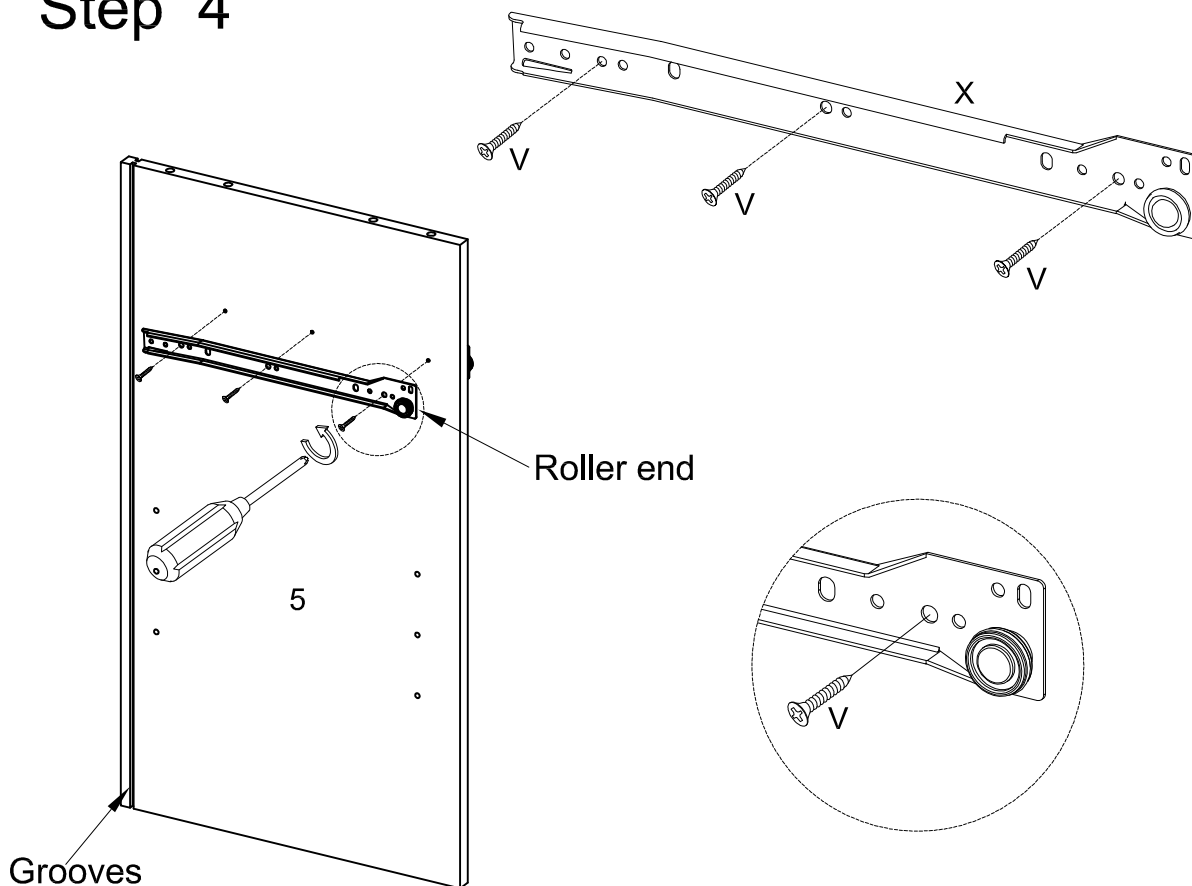
Step 2



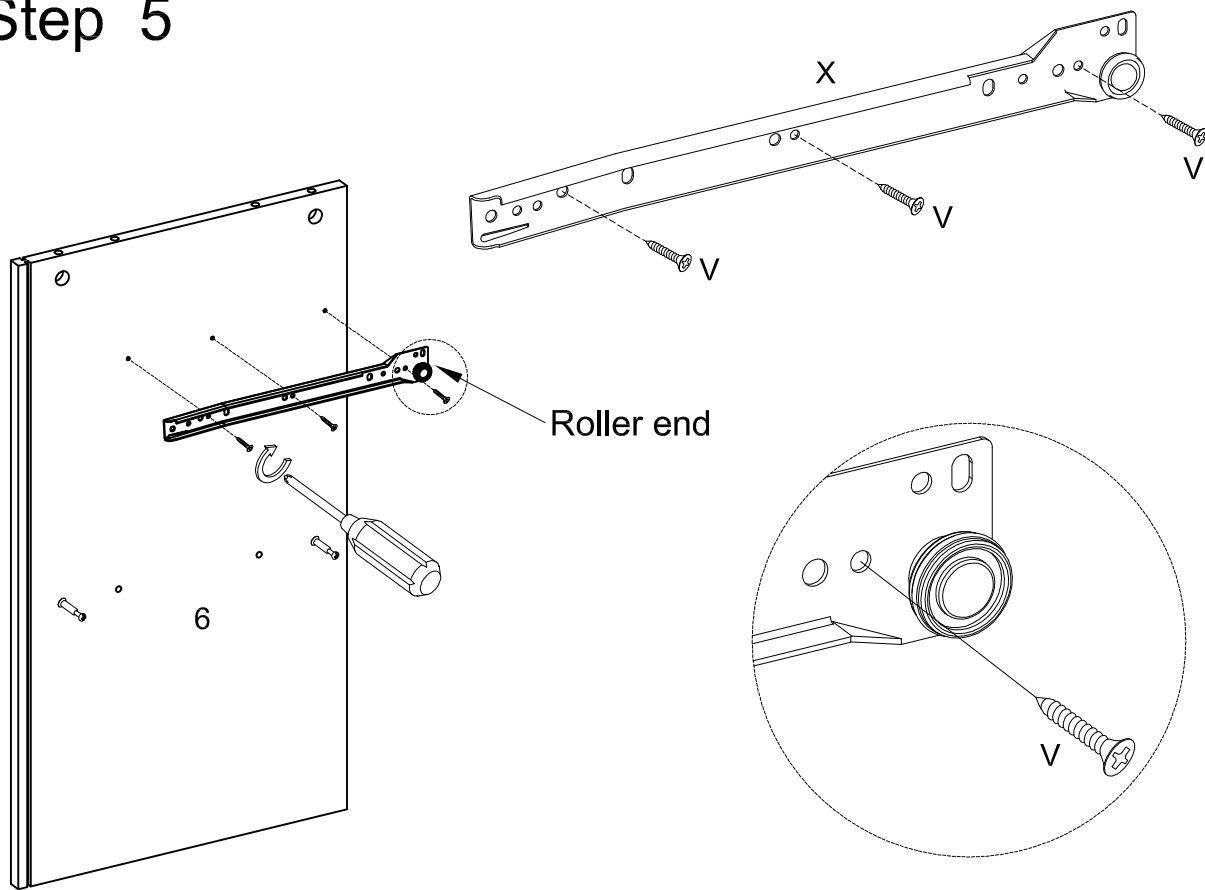
Step 3



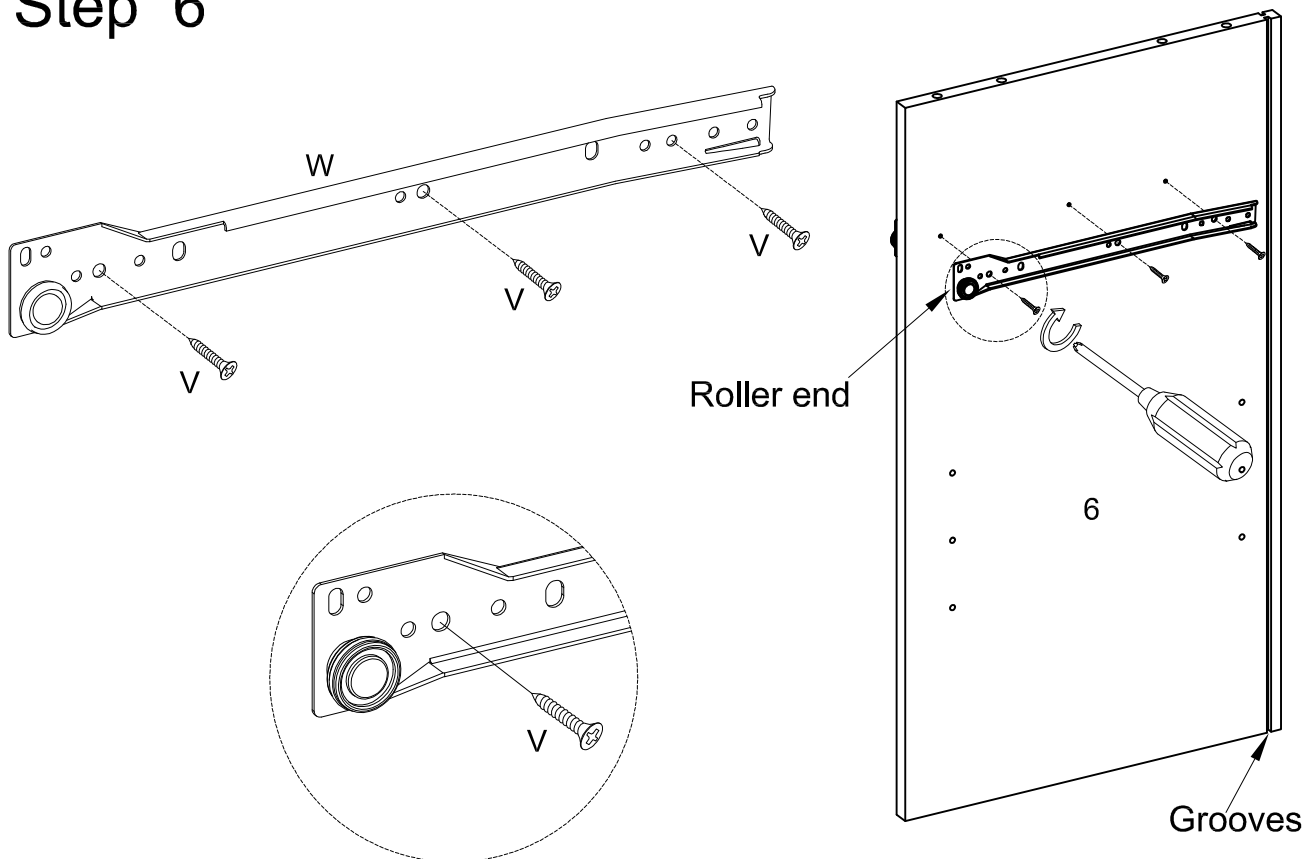
Step 4



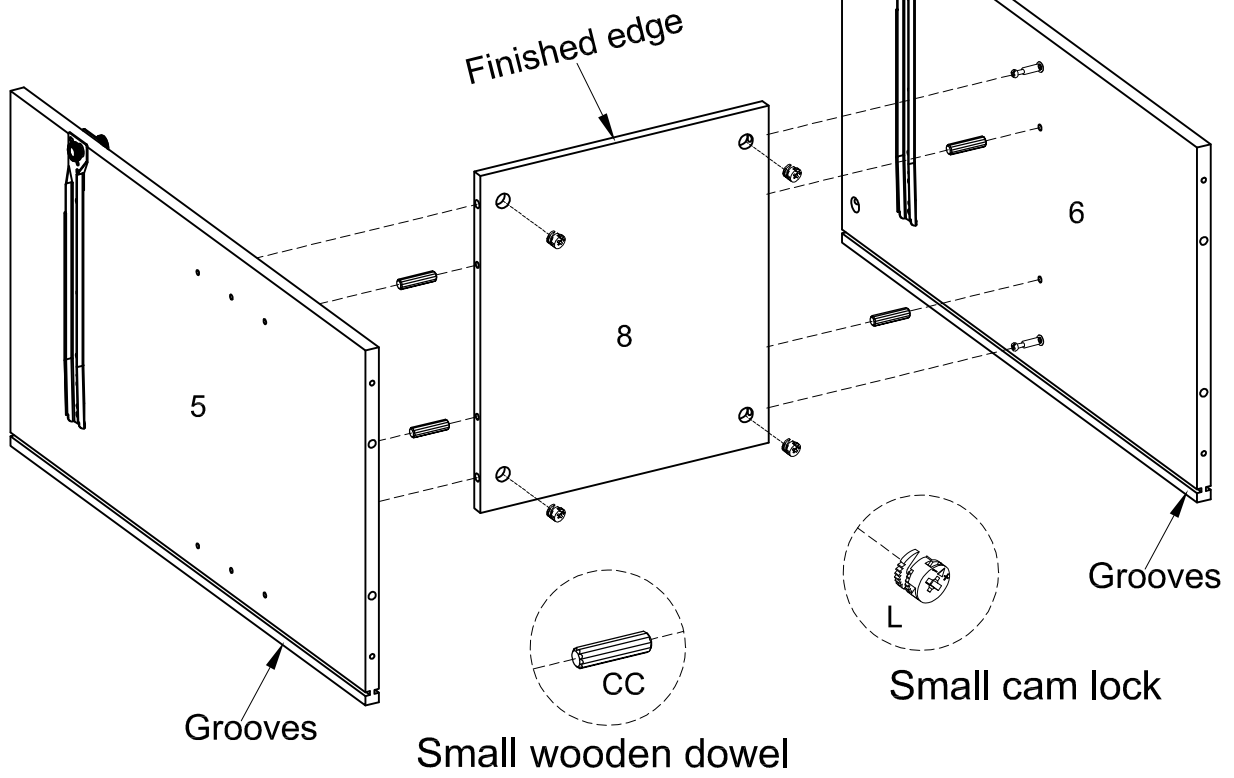
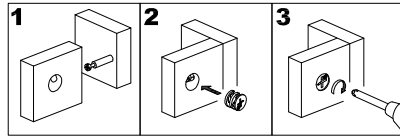
Step 5



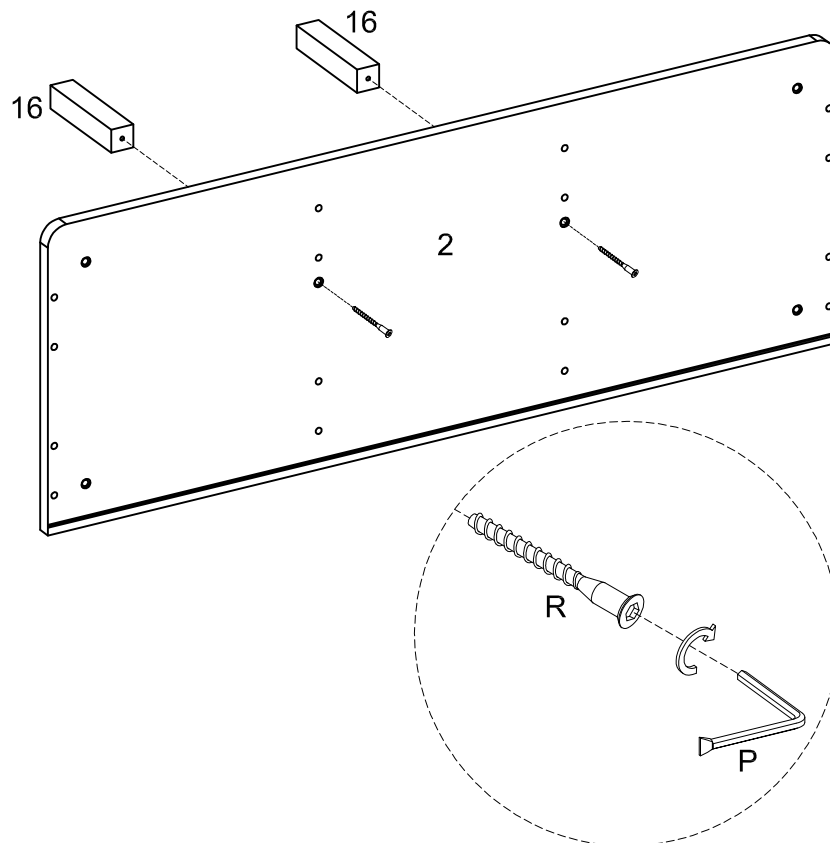
Step 6



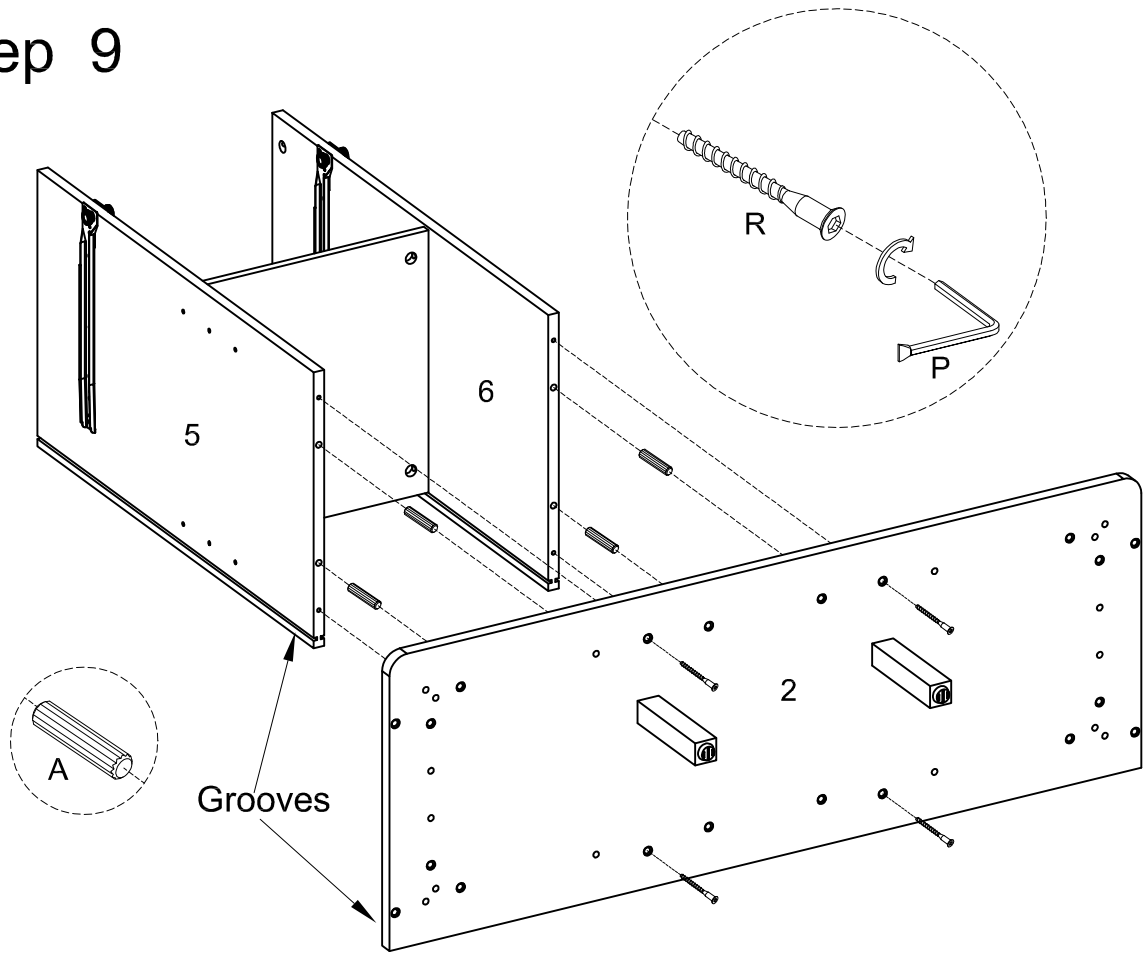
Step 7



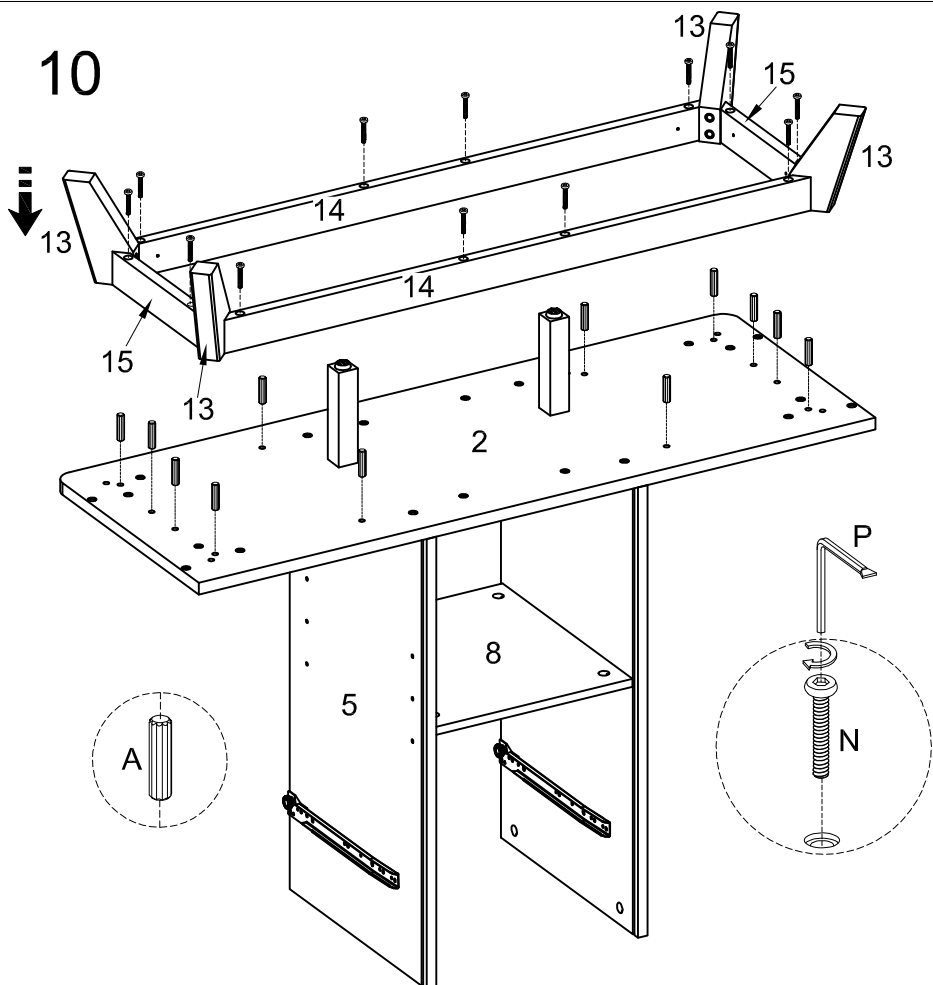
Step 8



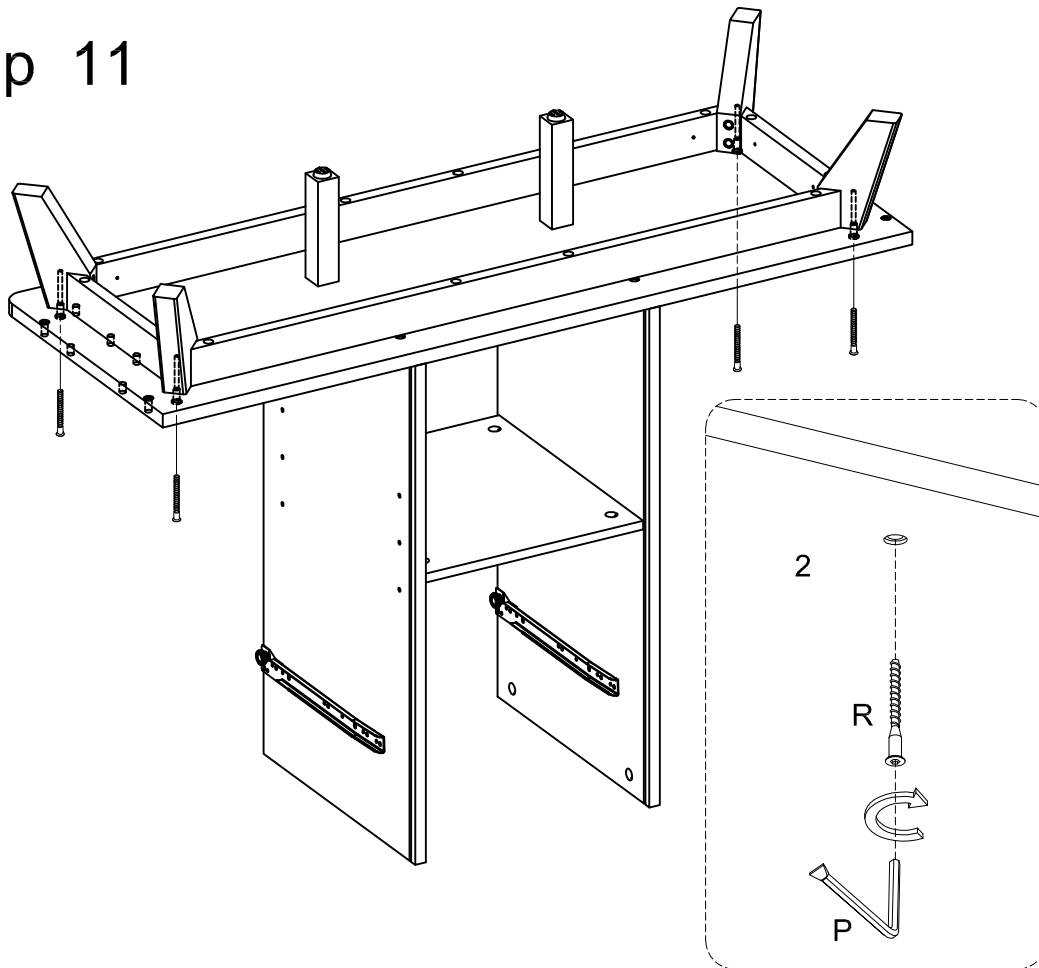
Step 9



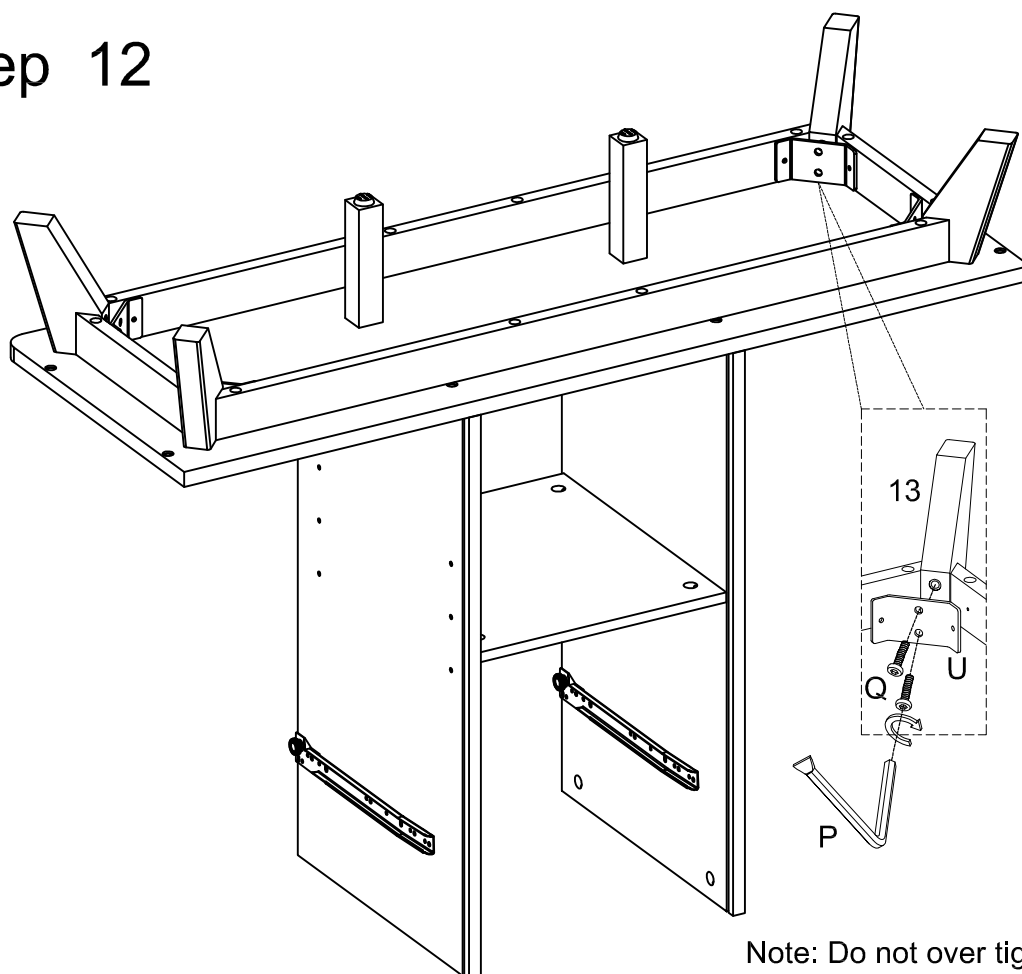
Step 10



Step 11

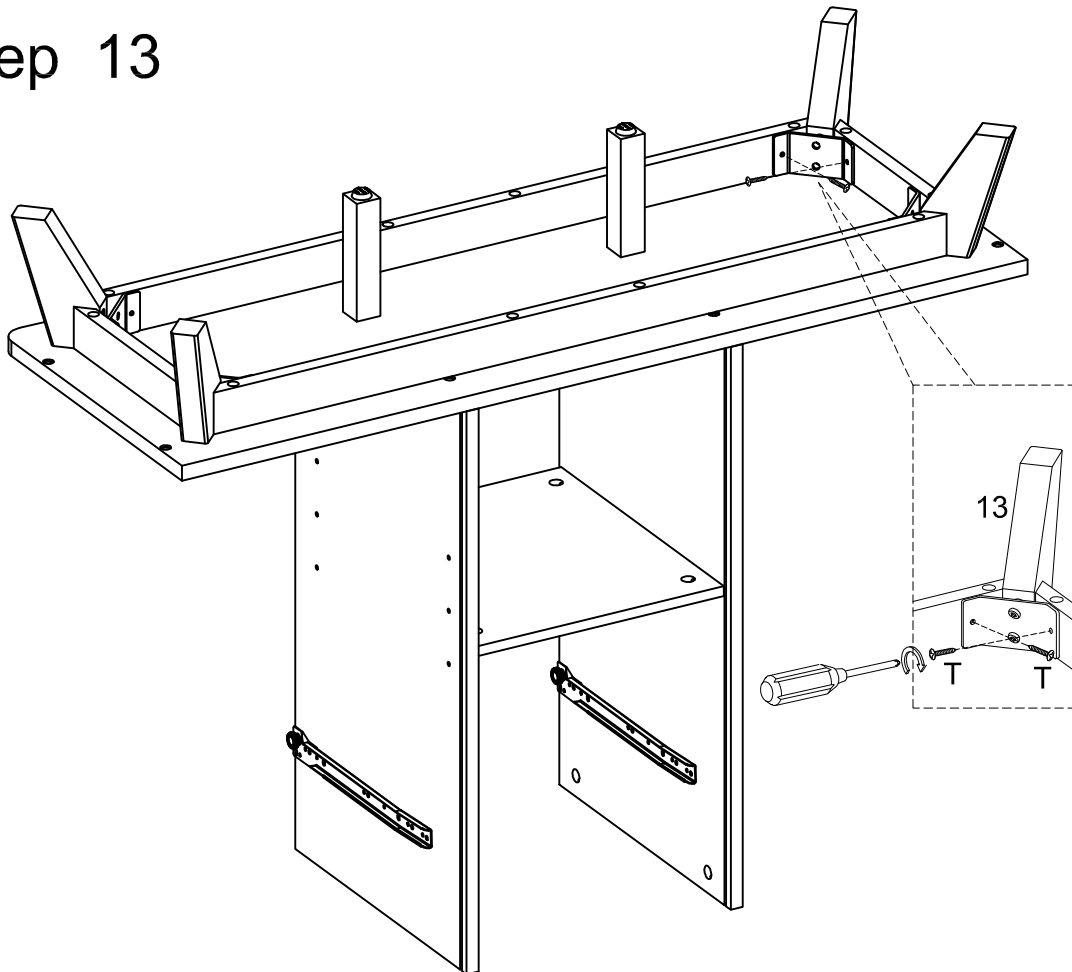


Step 12

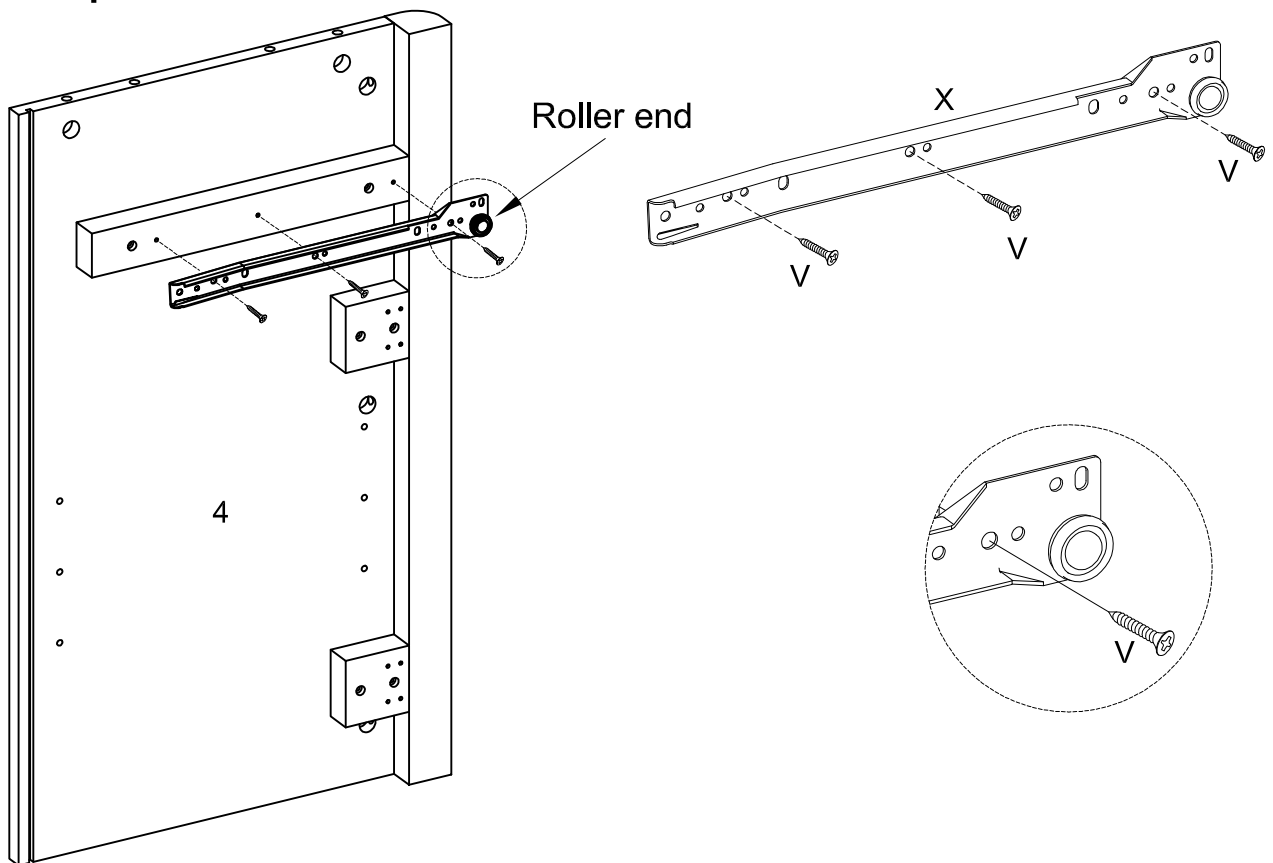


Note: Do not over tighten the bolts.

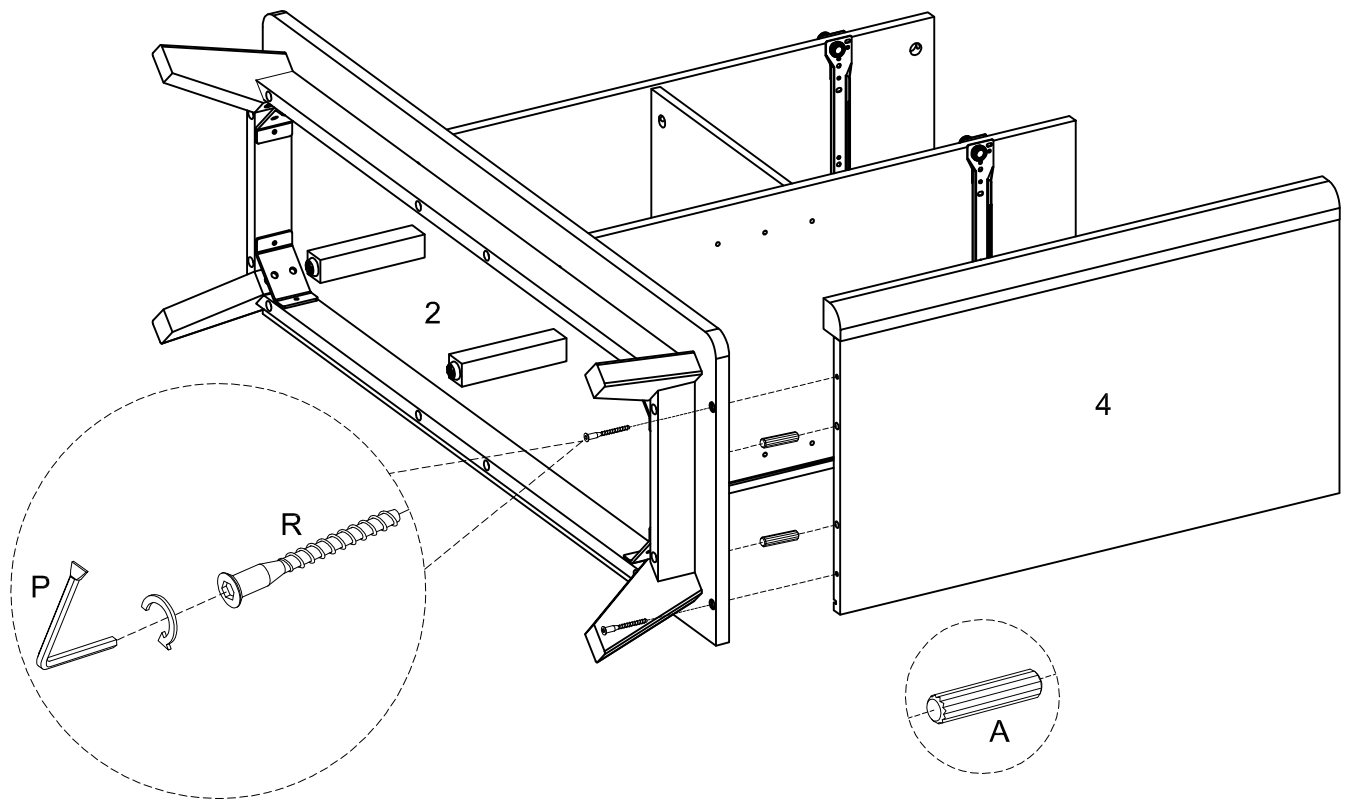
Step 13



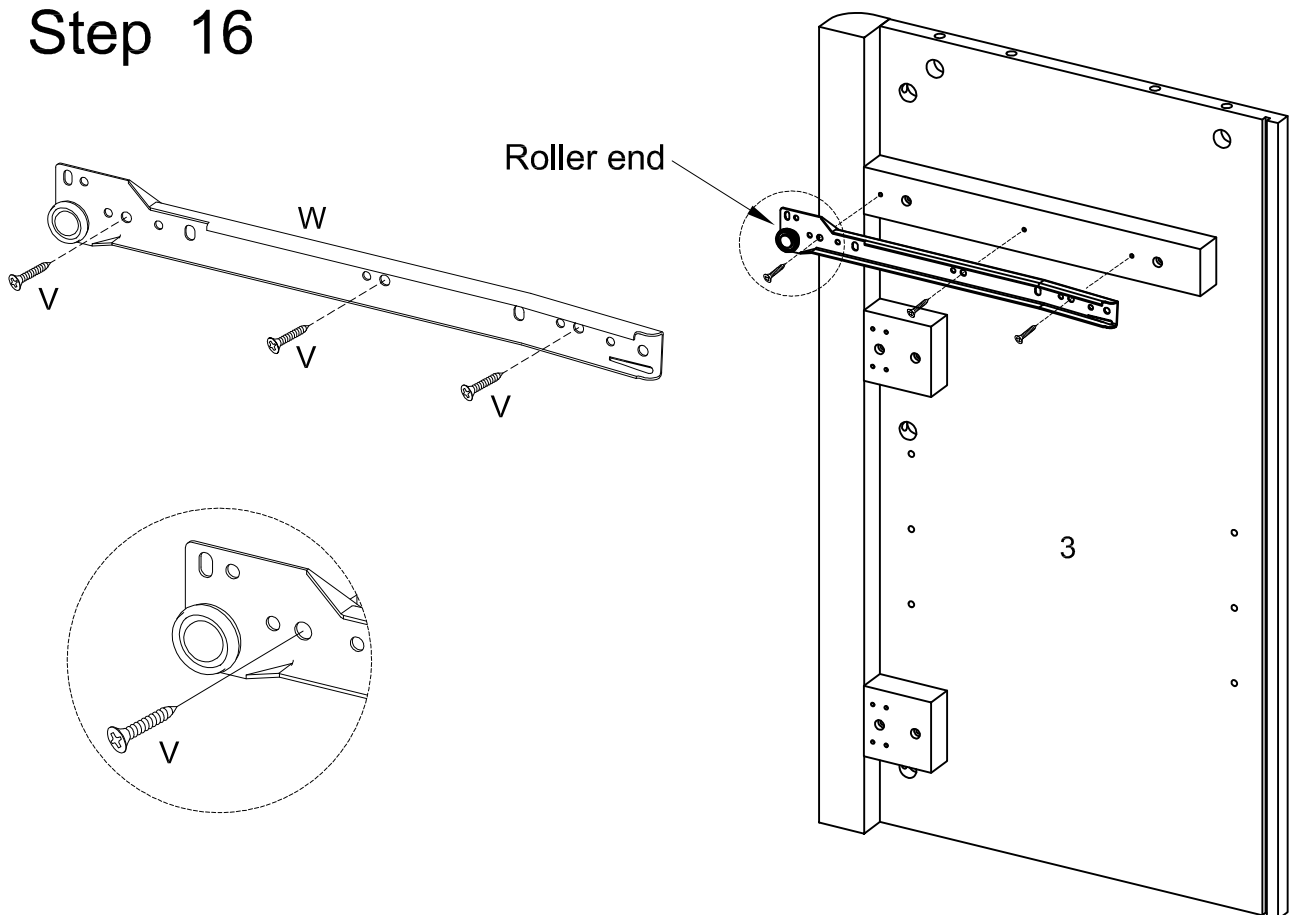
Step 14



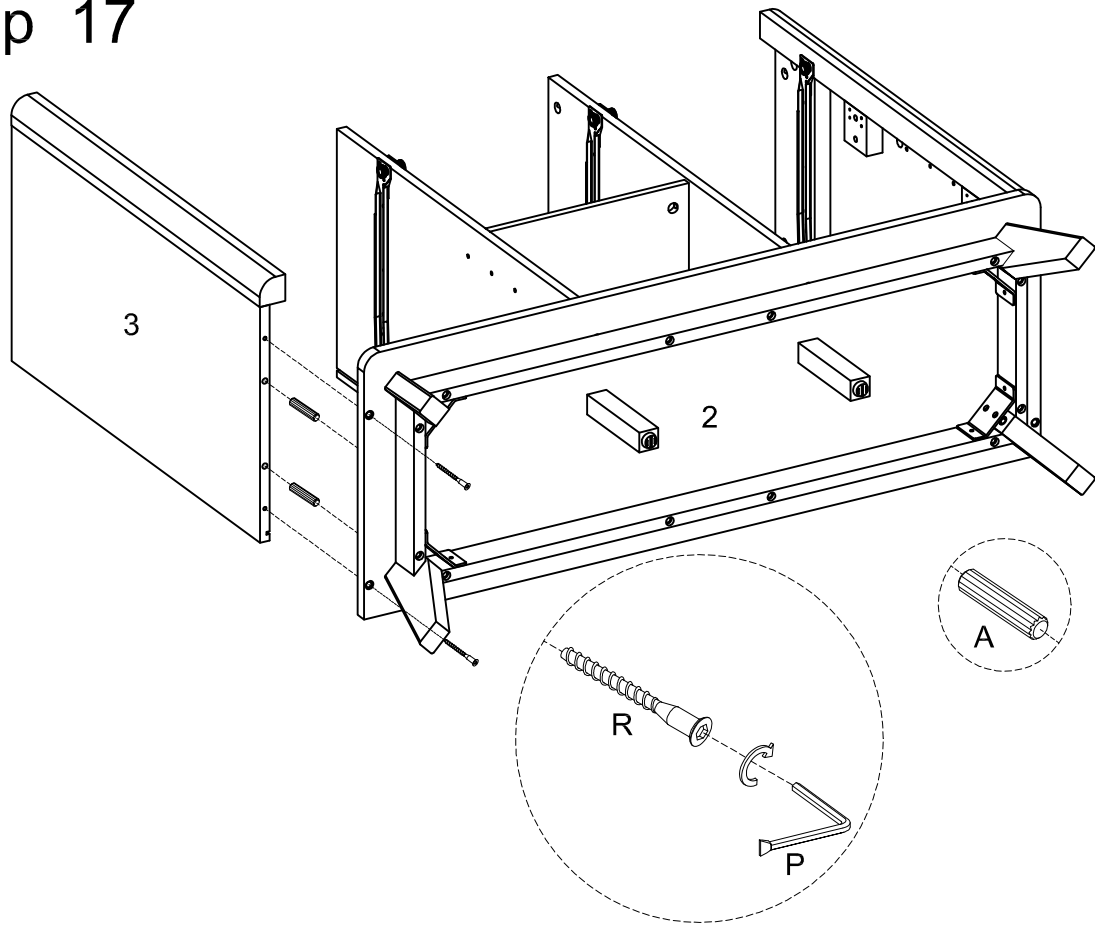
Step 15



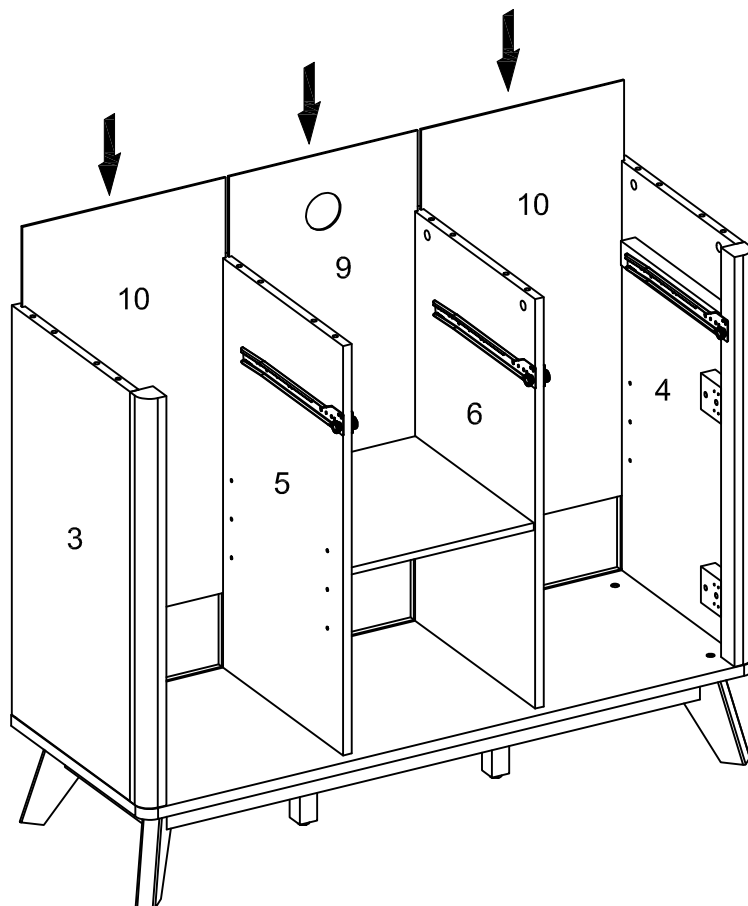
Step 16



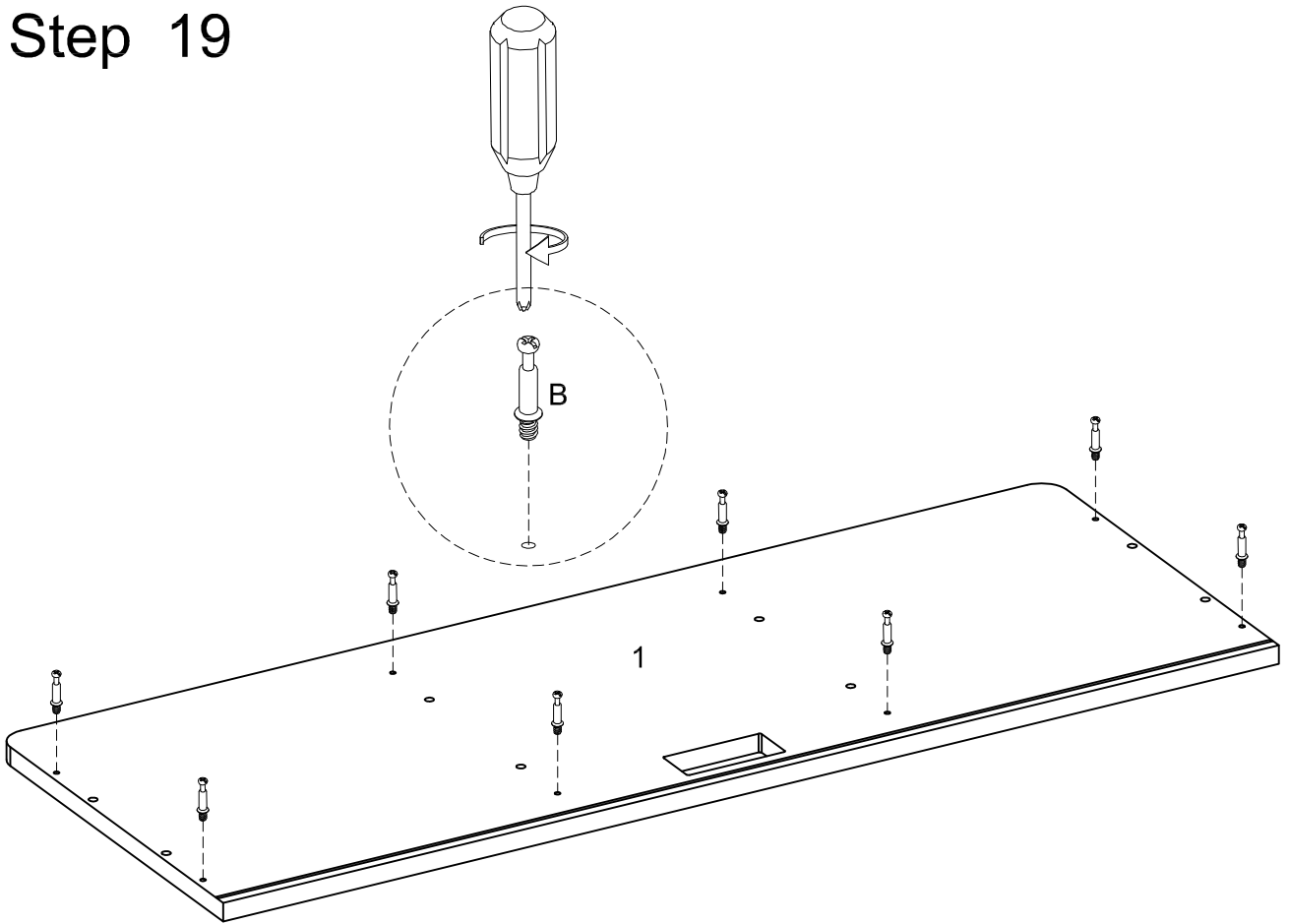
Step 17



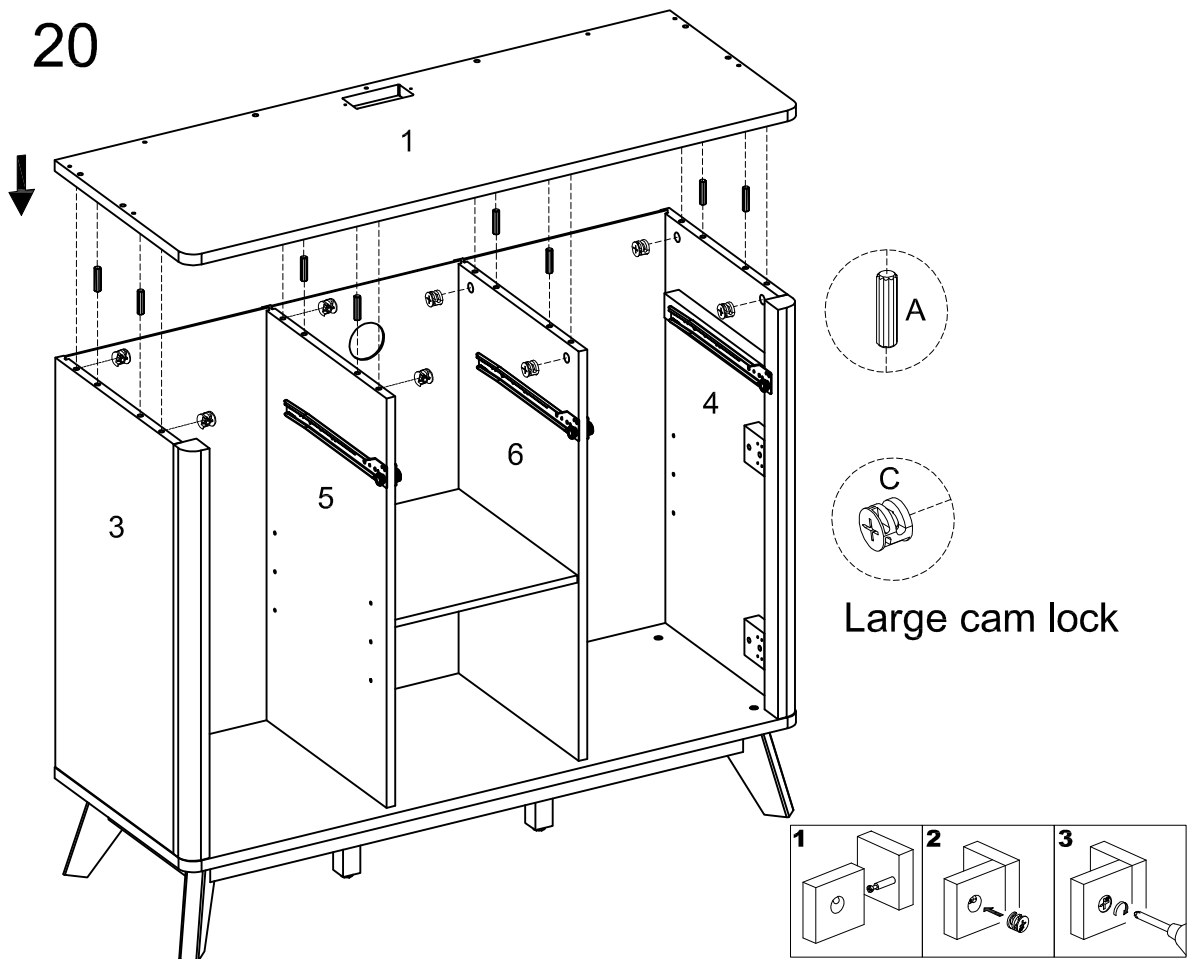
Step 18



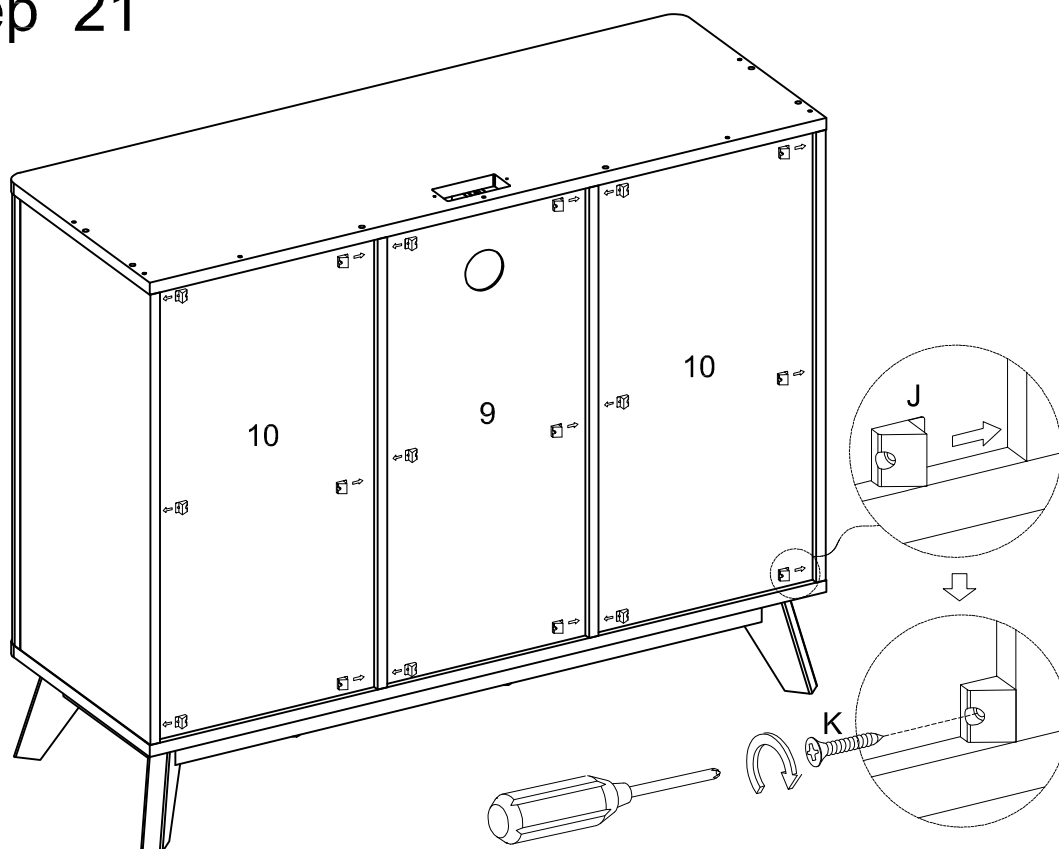
Step 19



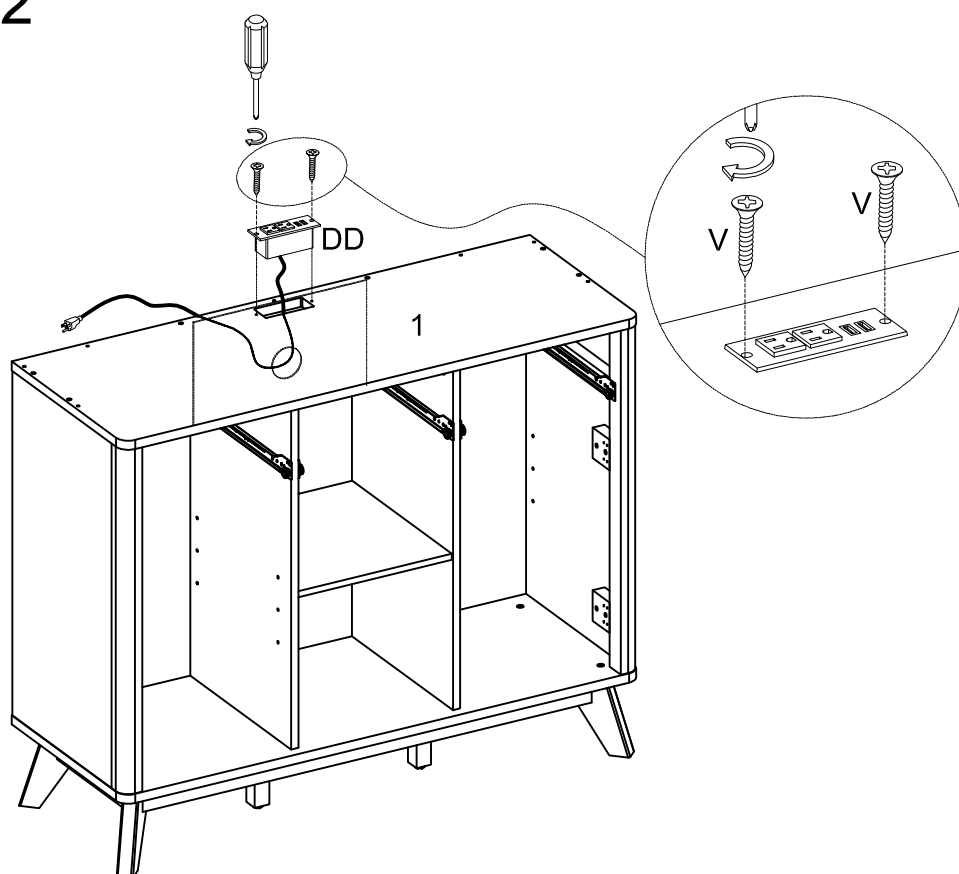
Step 20



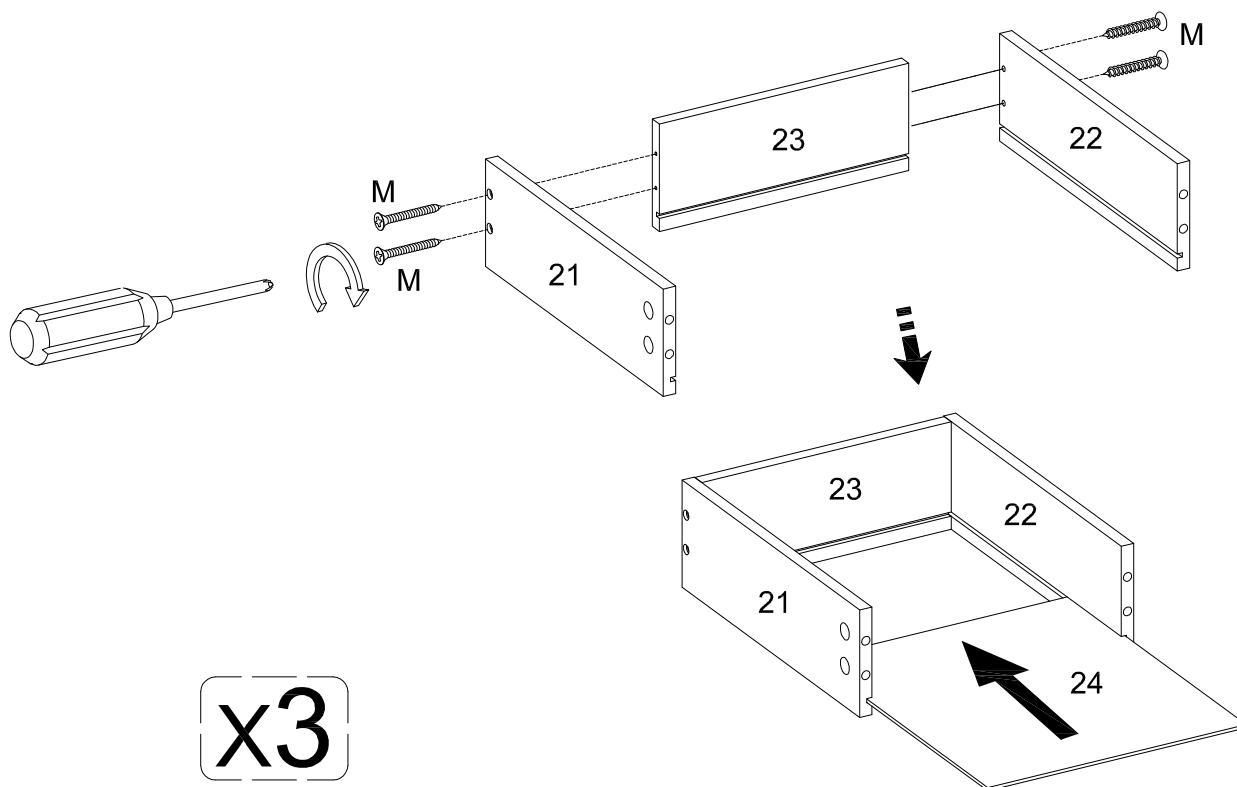
Step 21



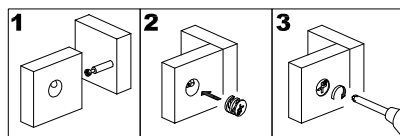
Step 22



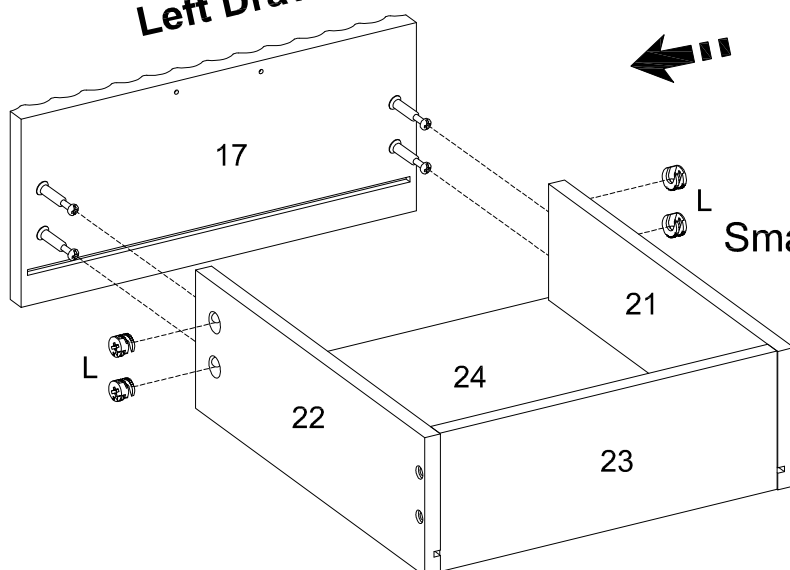
Step 23



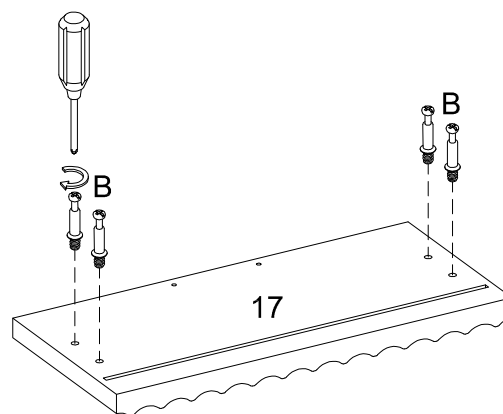
Step 24



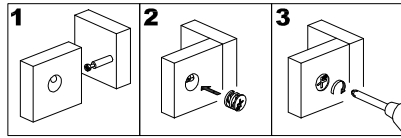
Left Drawer Front



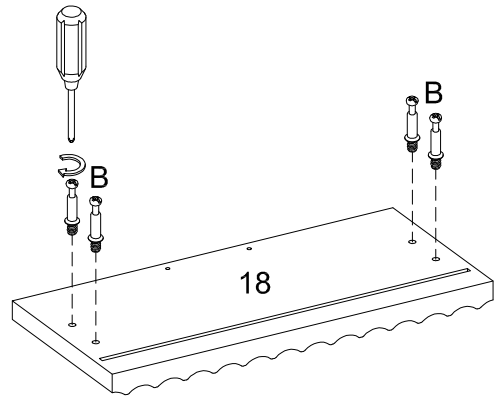
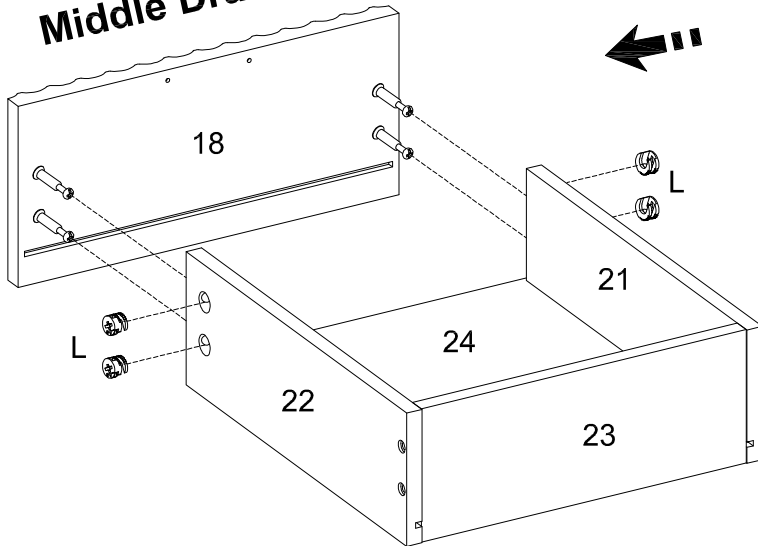
Small cam lock



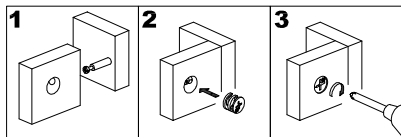
Step 25



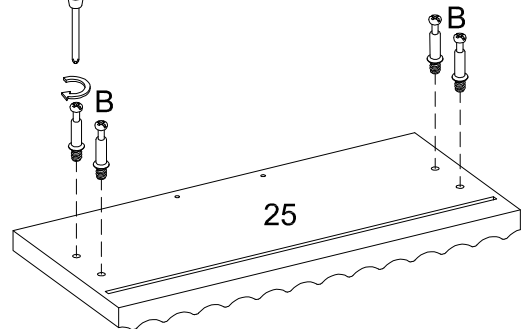
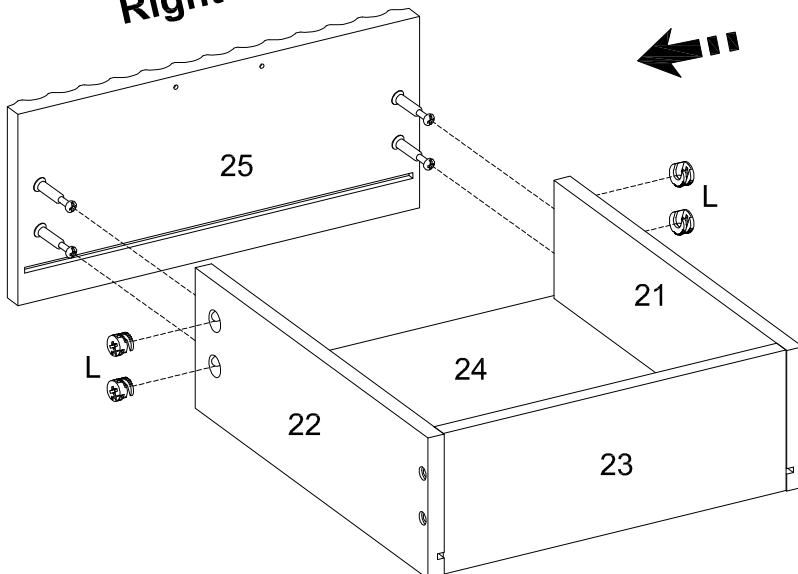
Middle Drawer Front



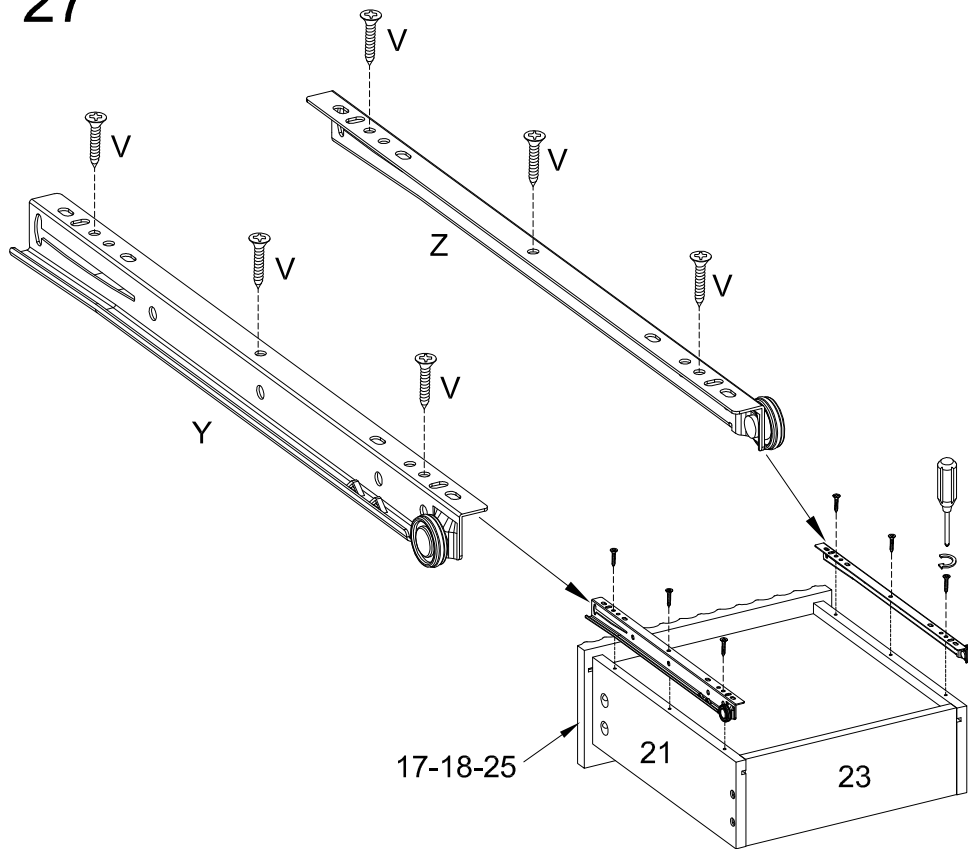
Step 26



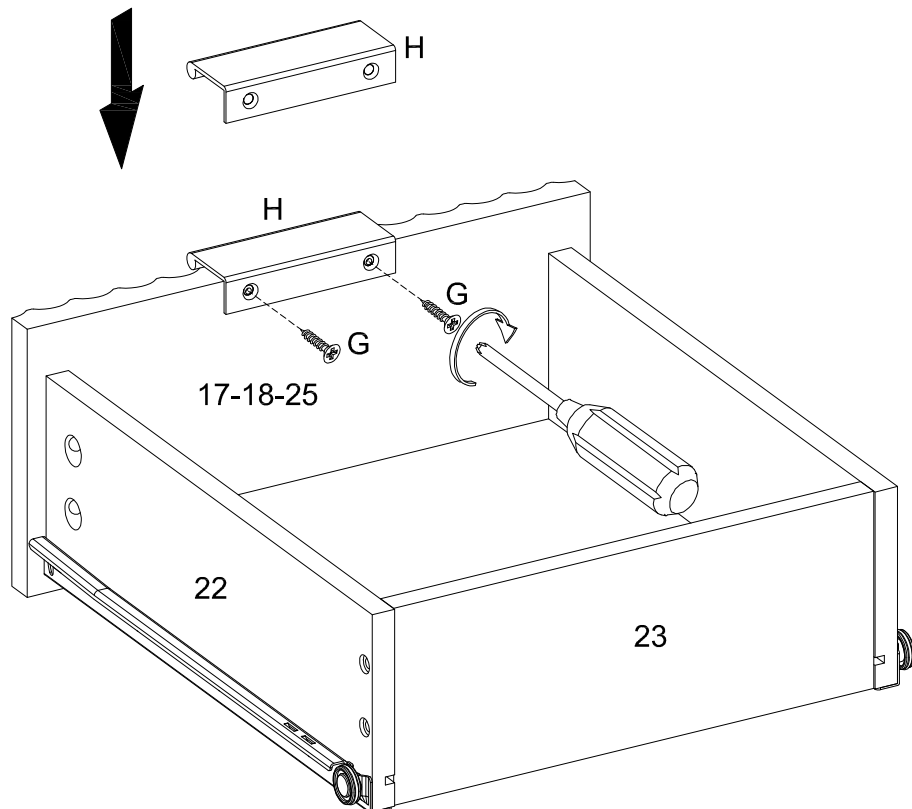
Right Drawer Front



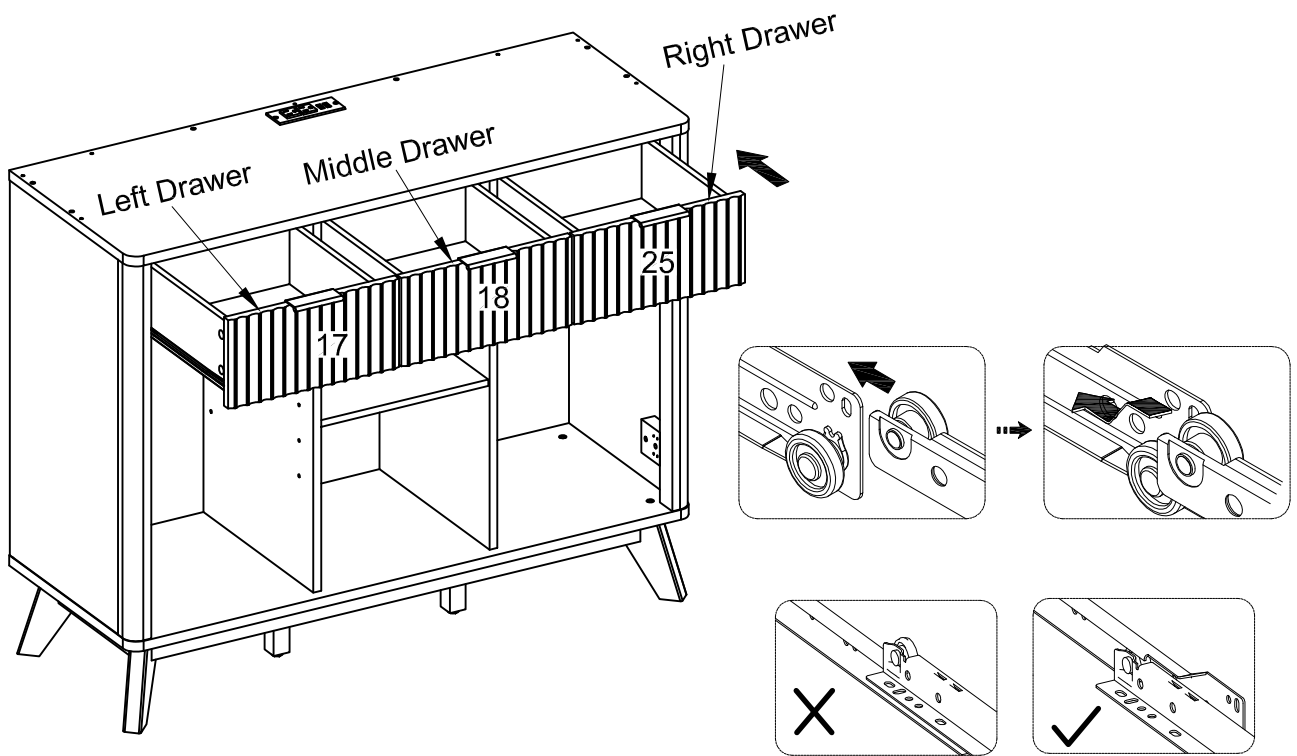
Step 27



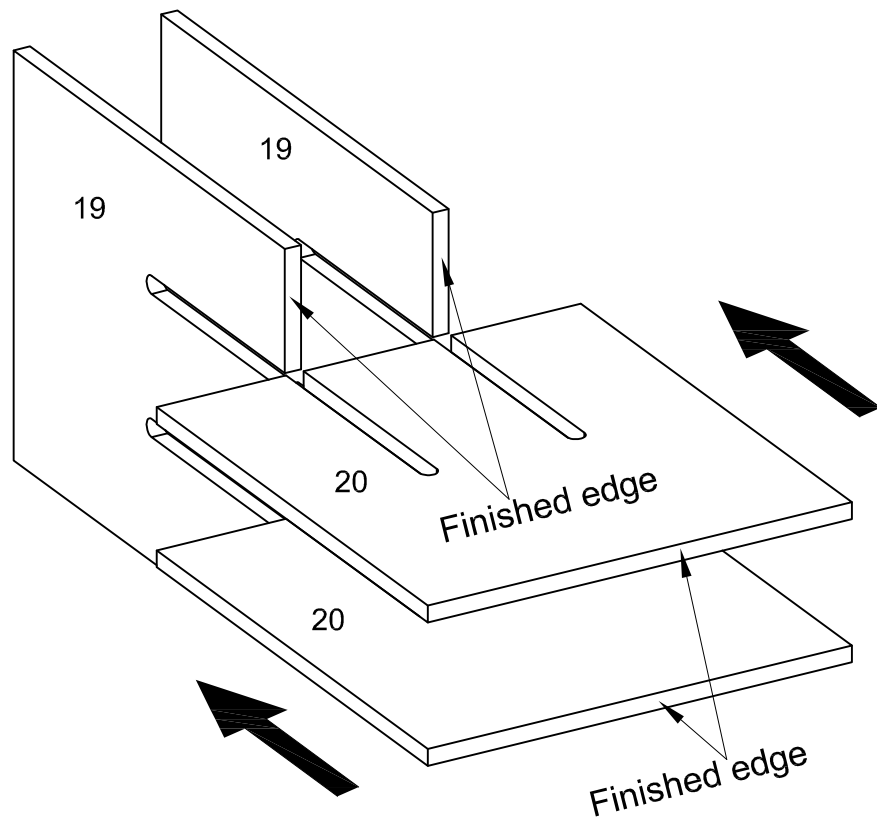
Step 28



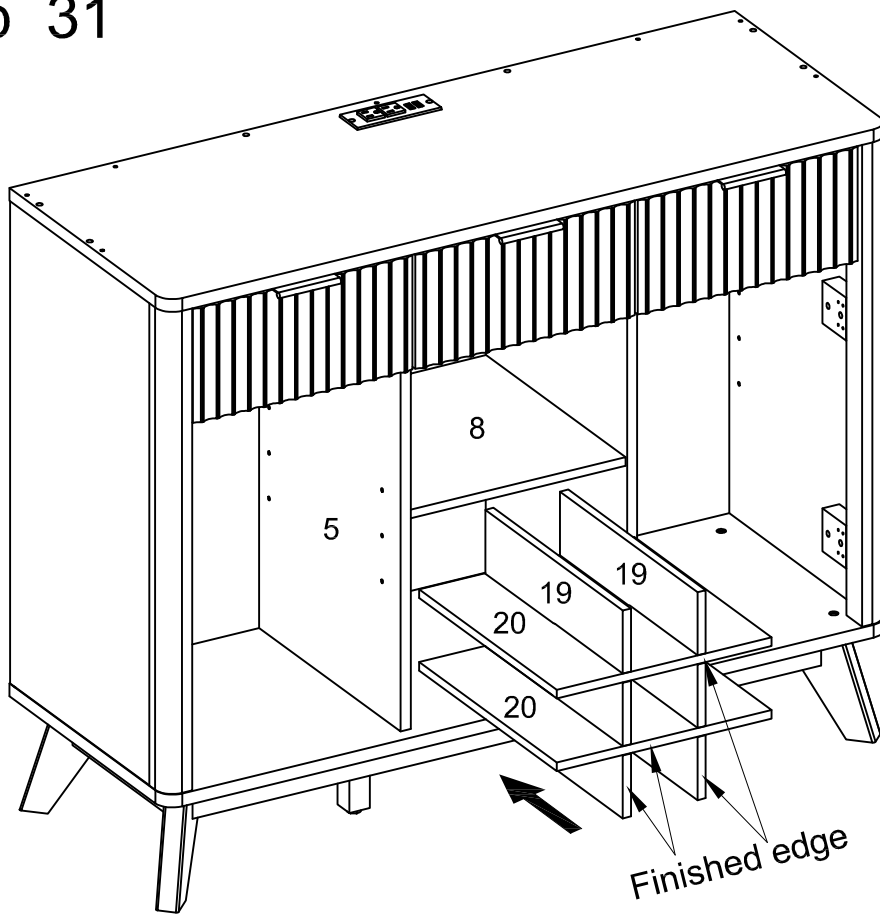
Step 29



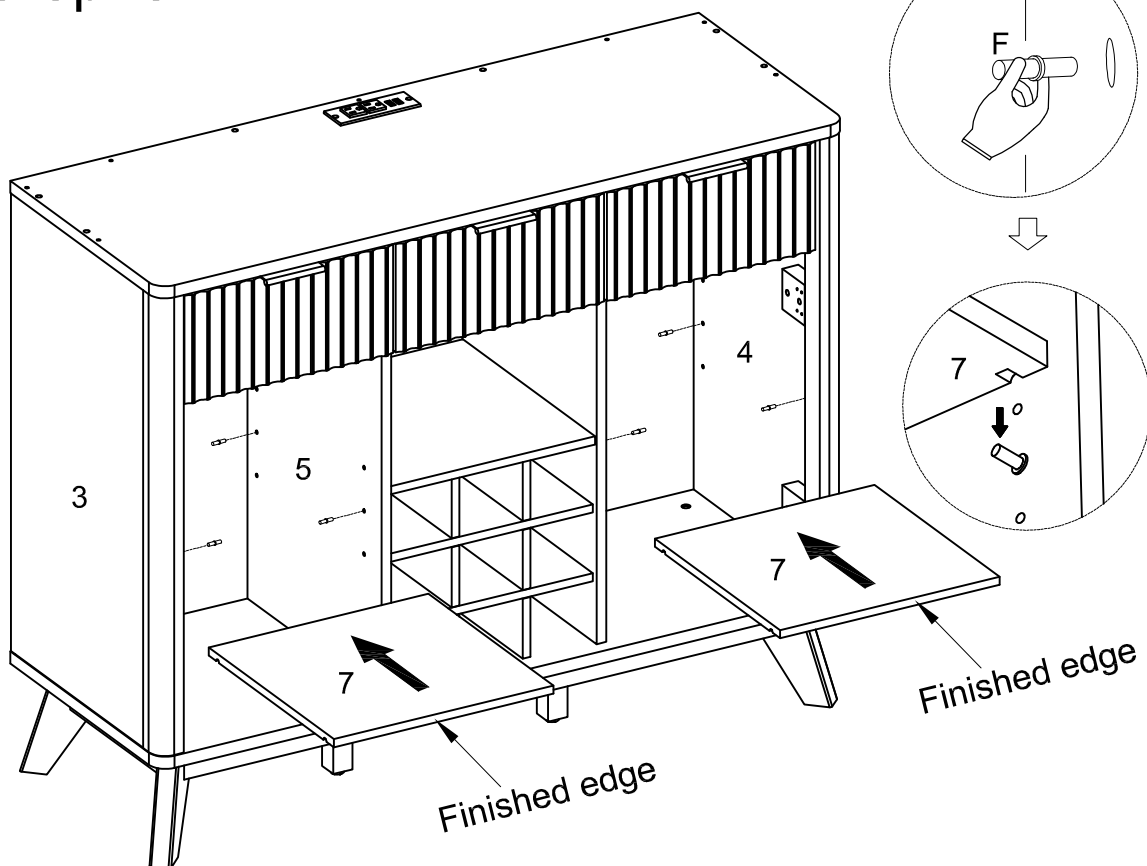
Step 30



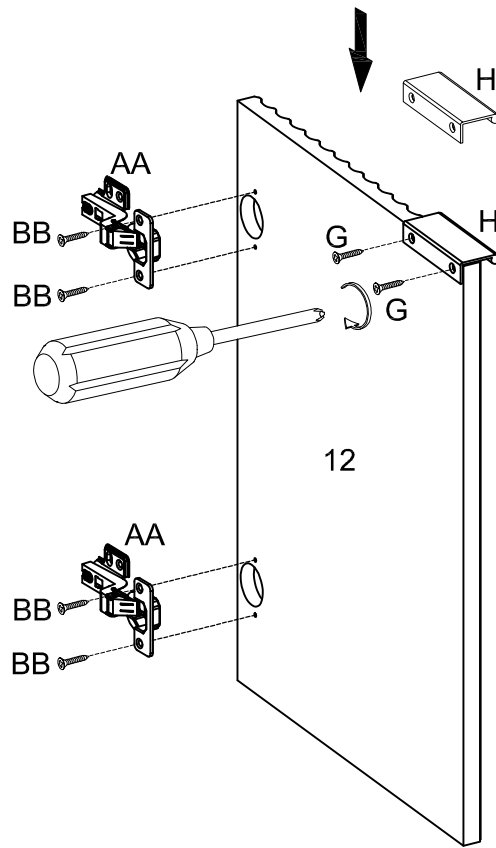
Step 31



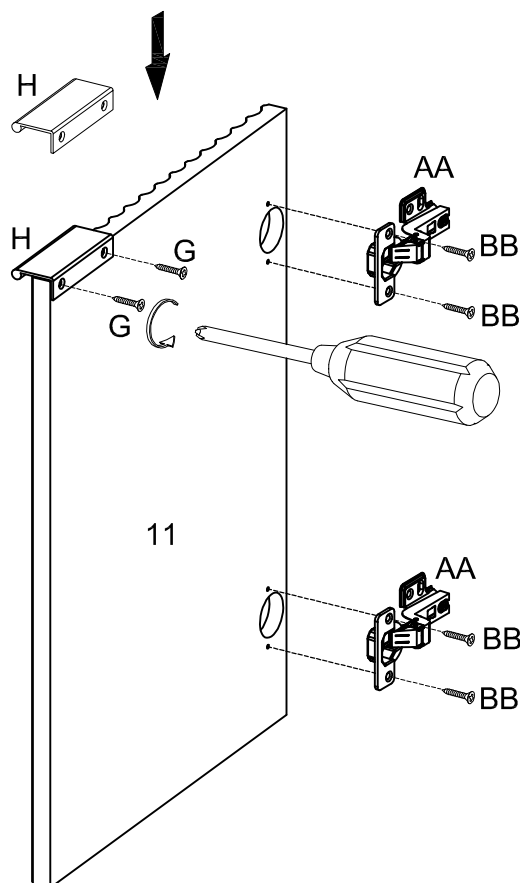
Step 32



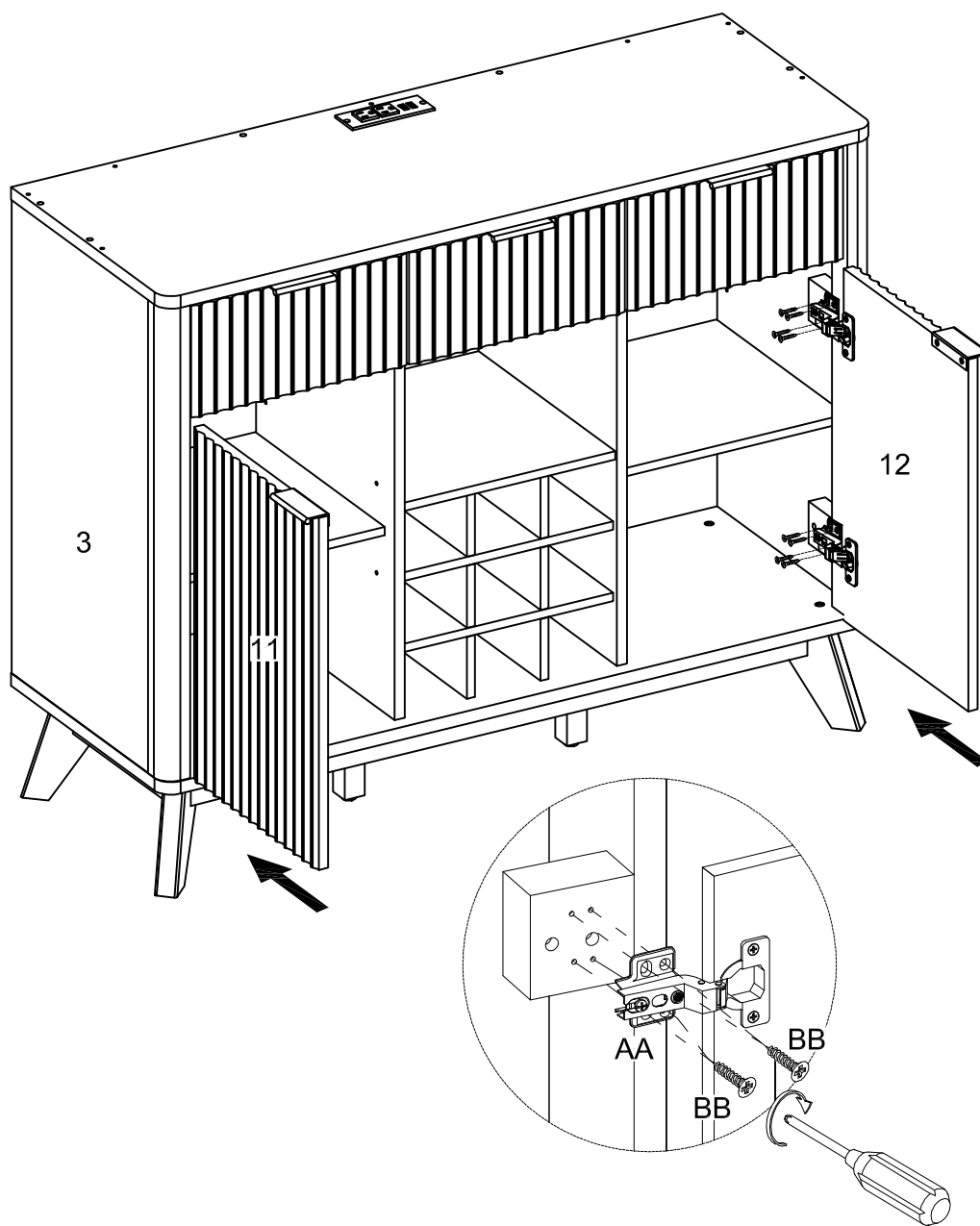
Step 33



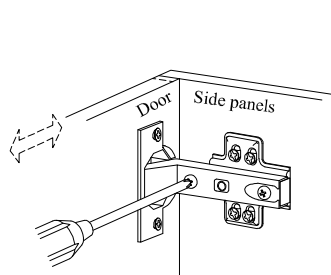
Step 34



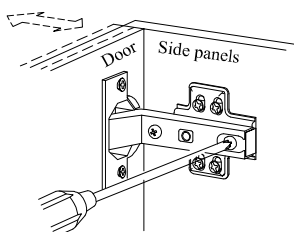
Step 35



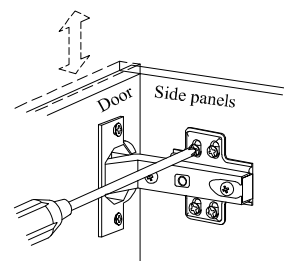
Concealed hinges are three-way adjustable.



Horizontal
by screw adjustment

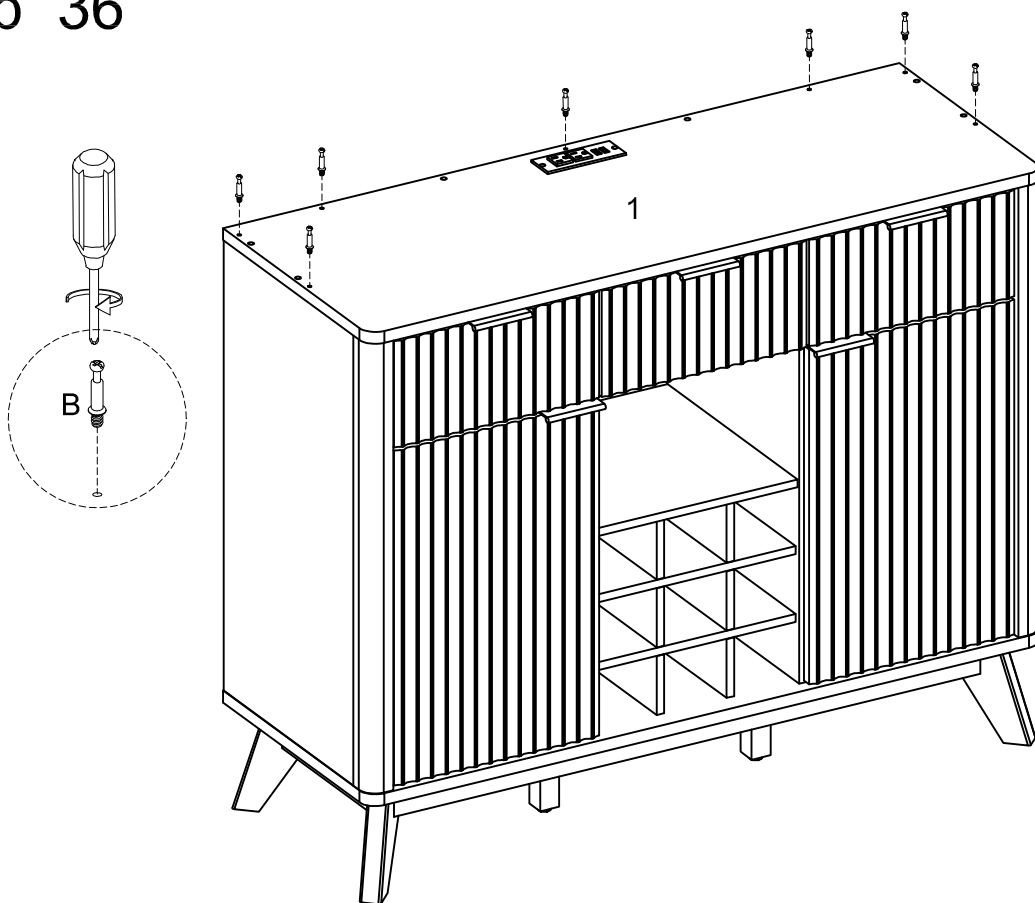


In-and-Out
by loosening the hinge-arm
mounting screw or via cam
adjustment

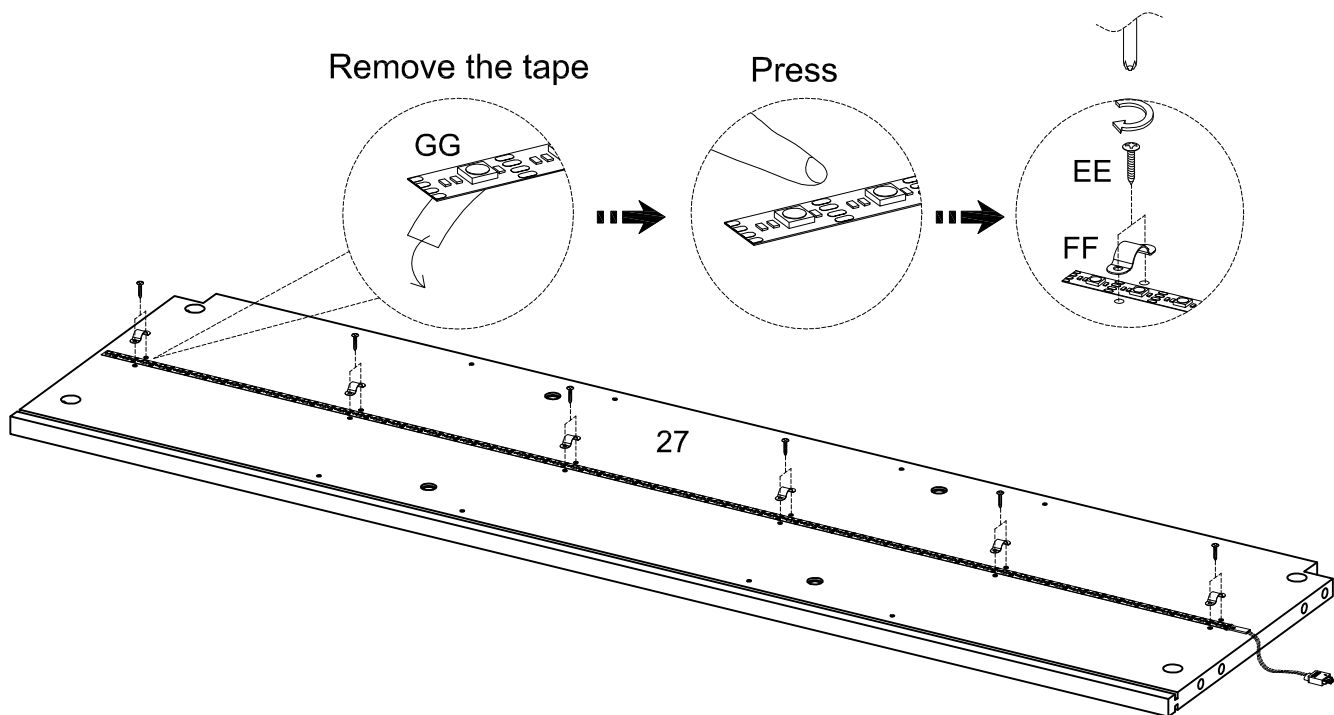


Vertical
Via slots in the mounting
plate or via cam adjustment

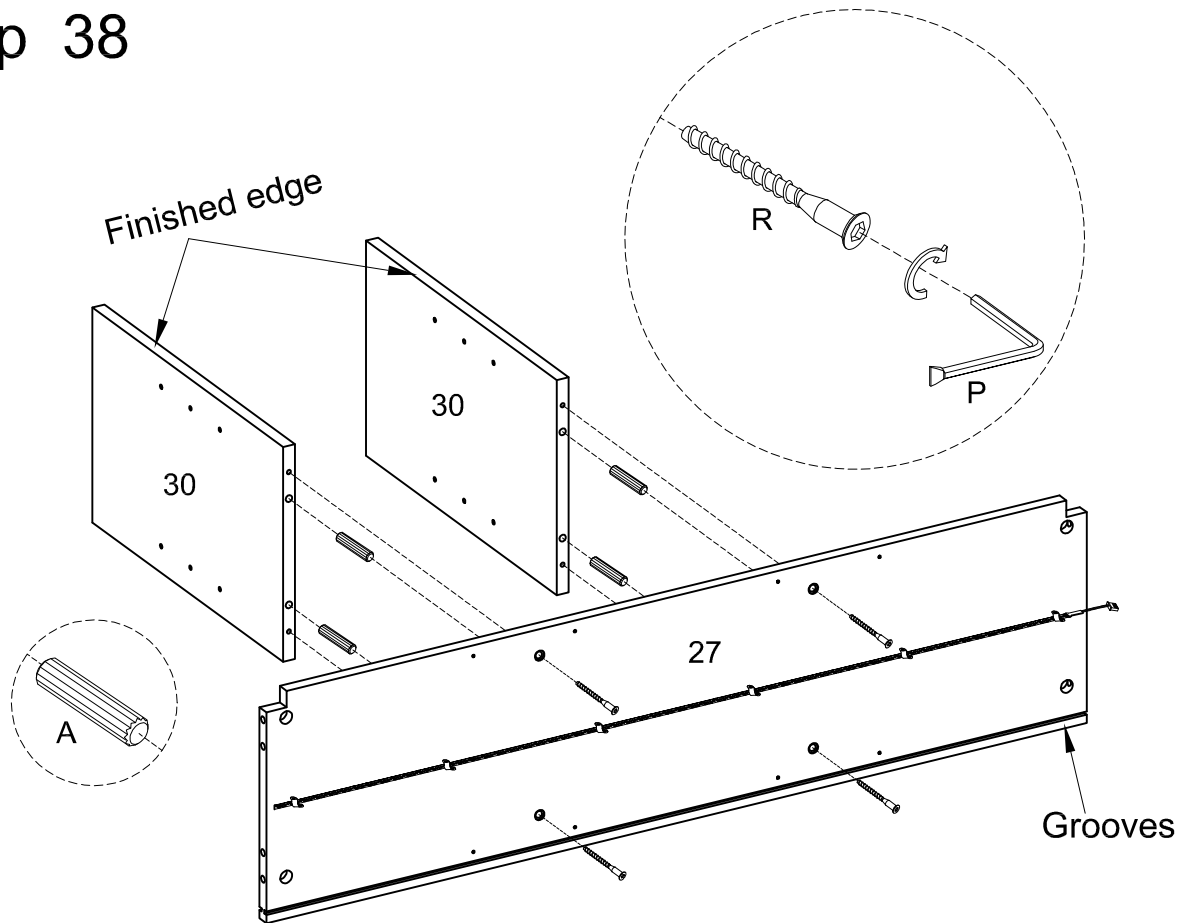
Step 36



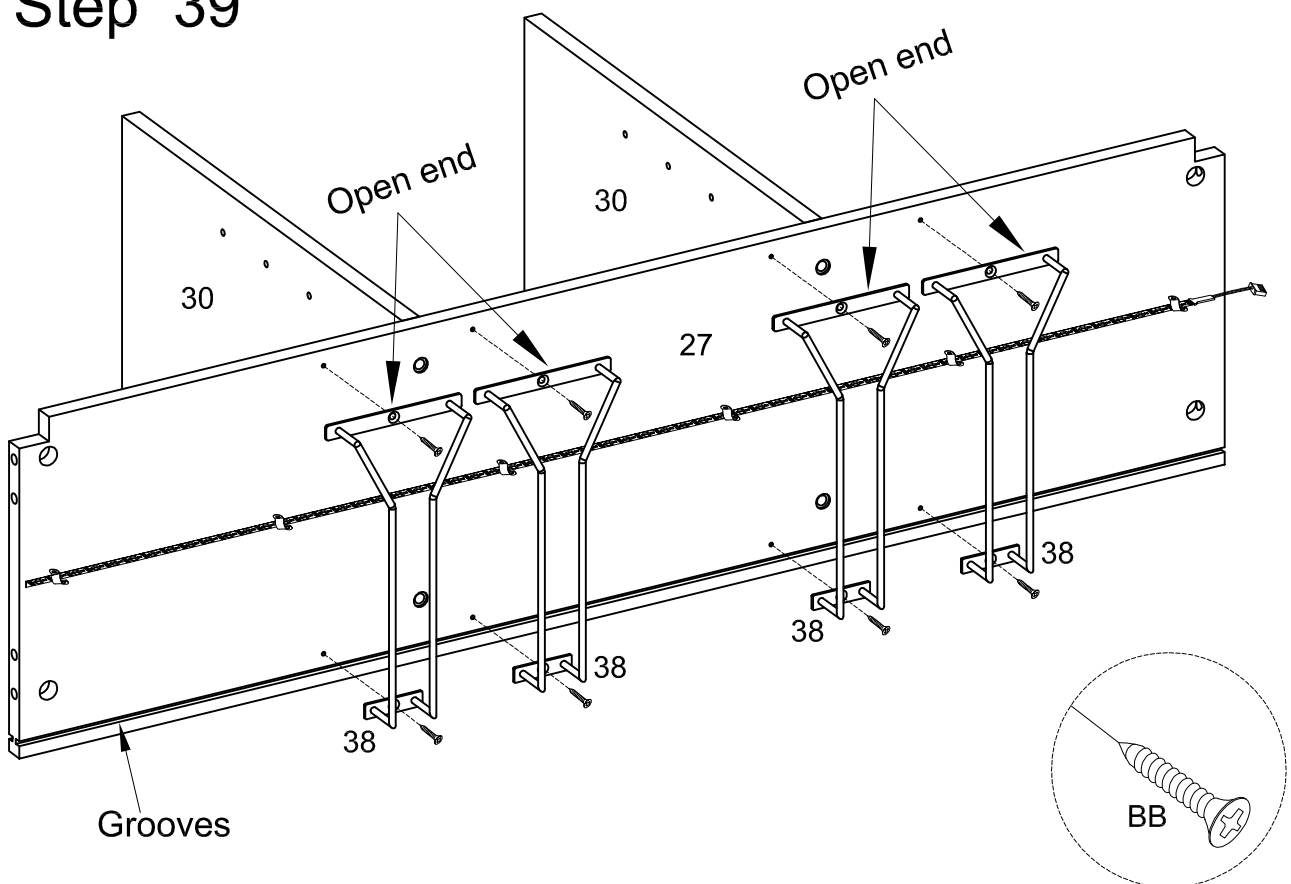
Step 37



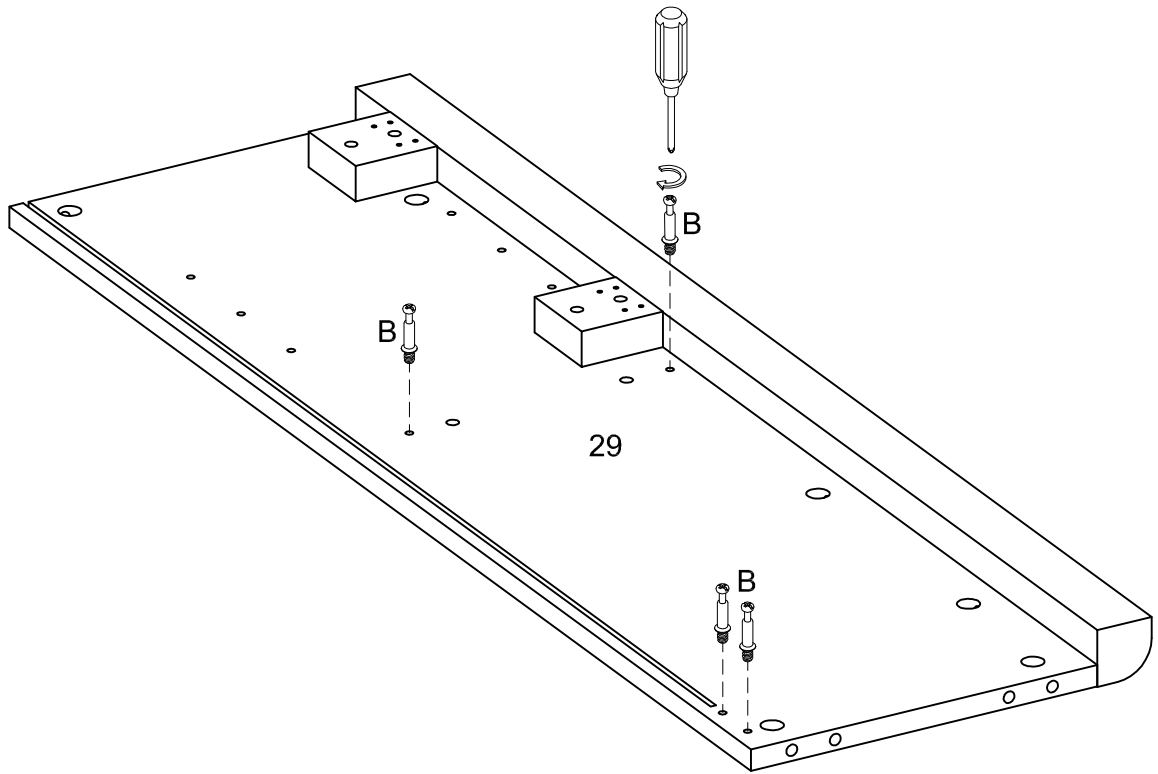
Step 38



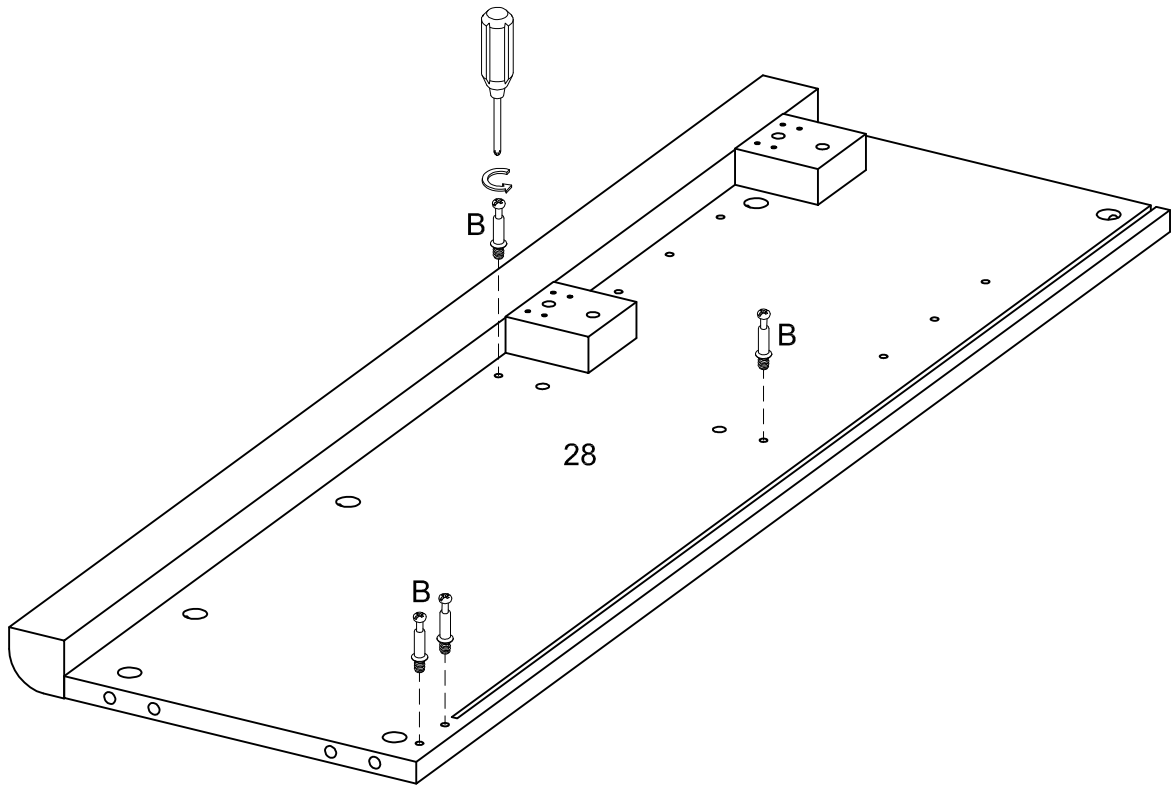
Step 39



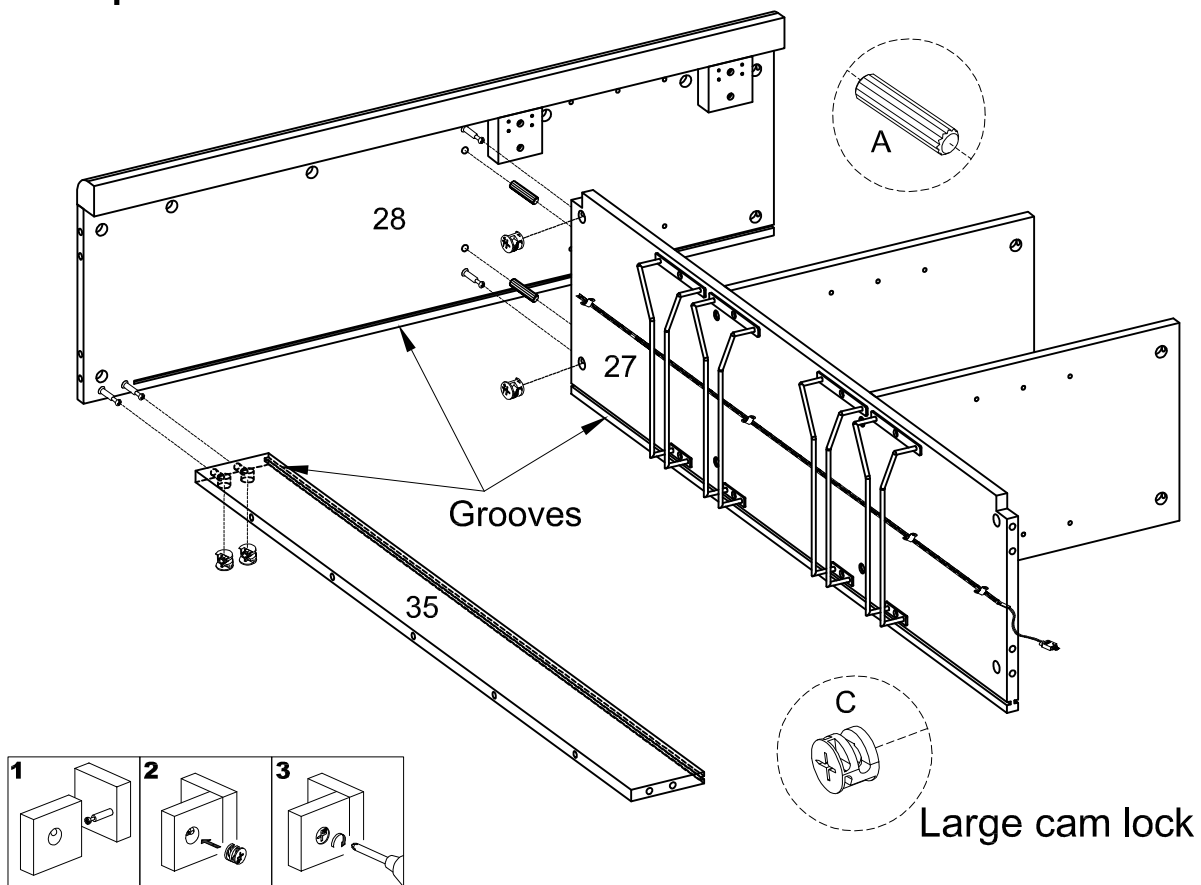
Step 40



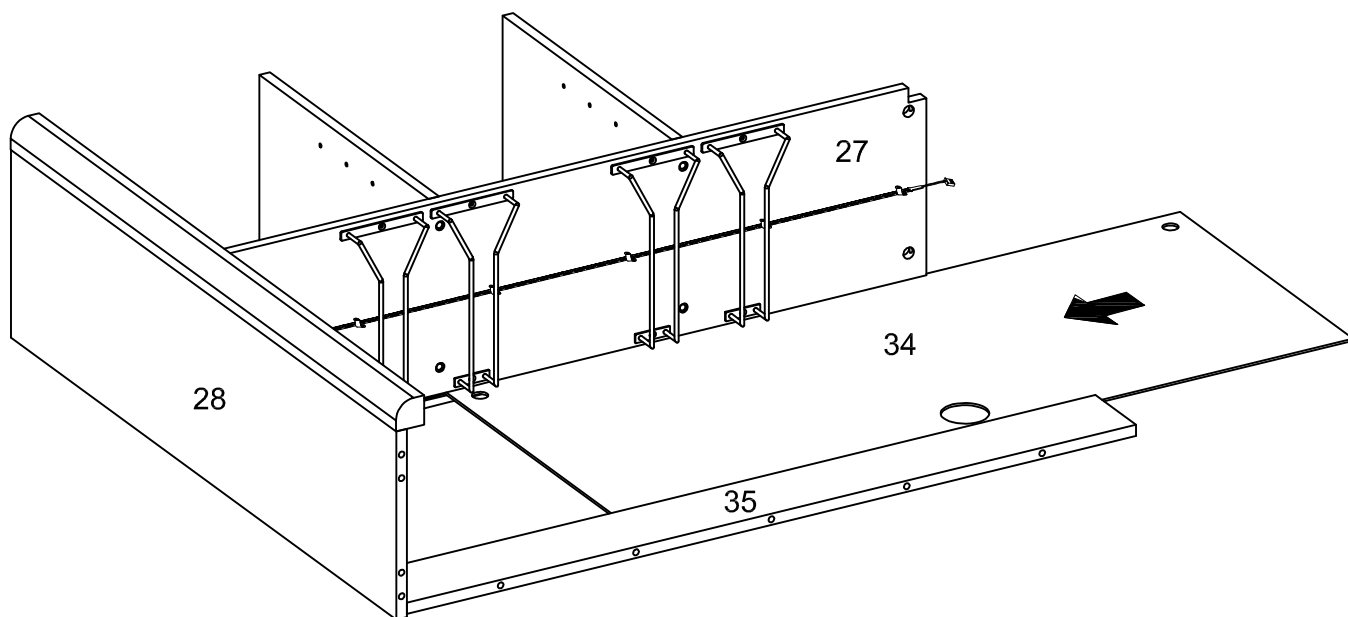
Step 41



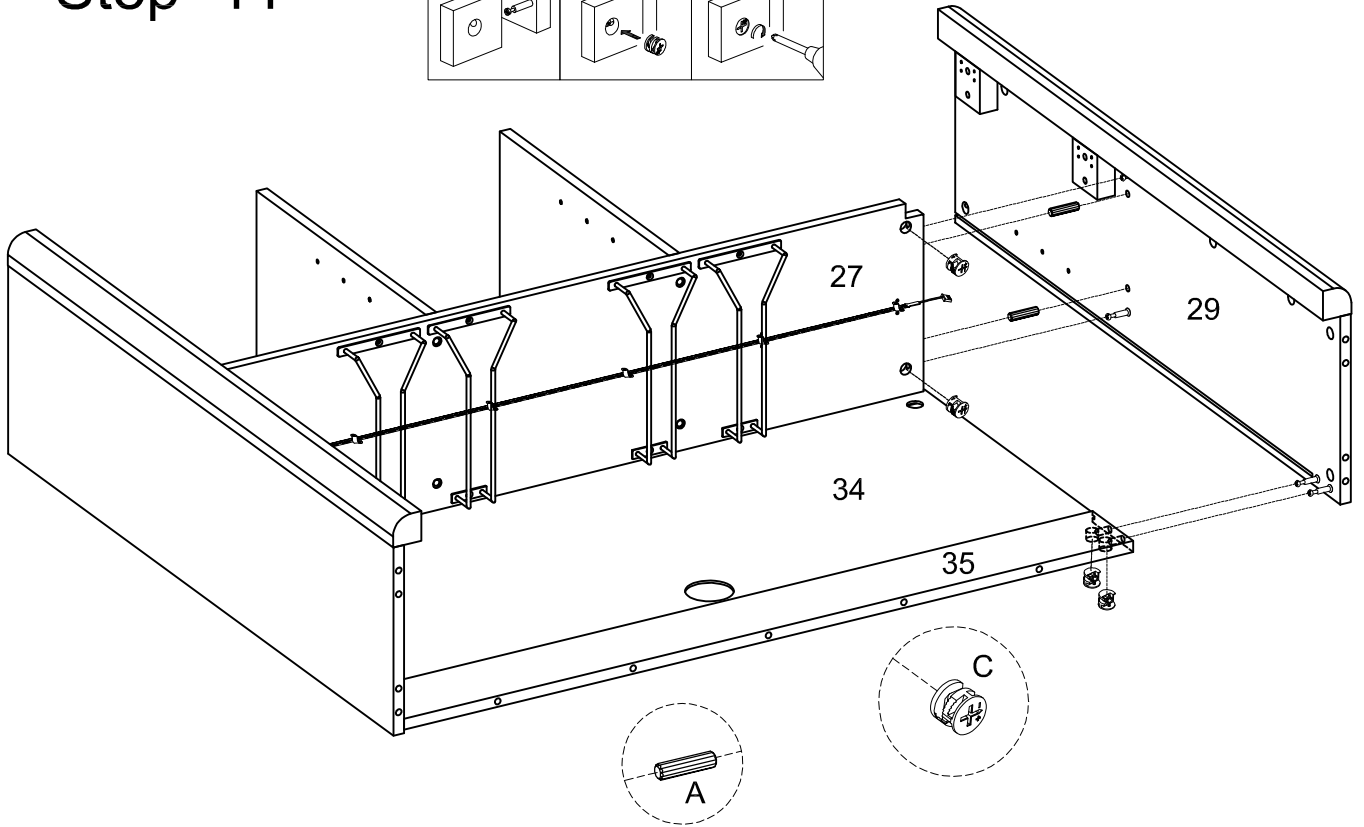
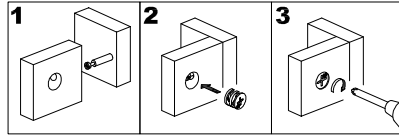
Step 42



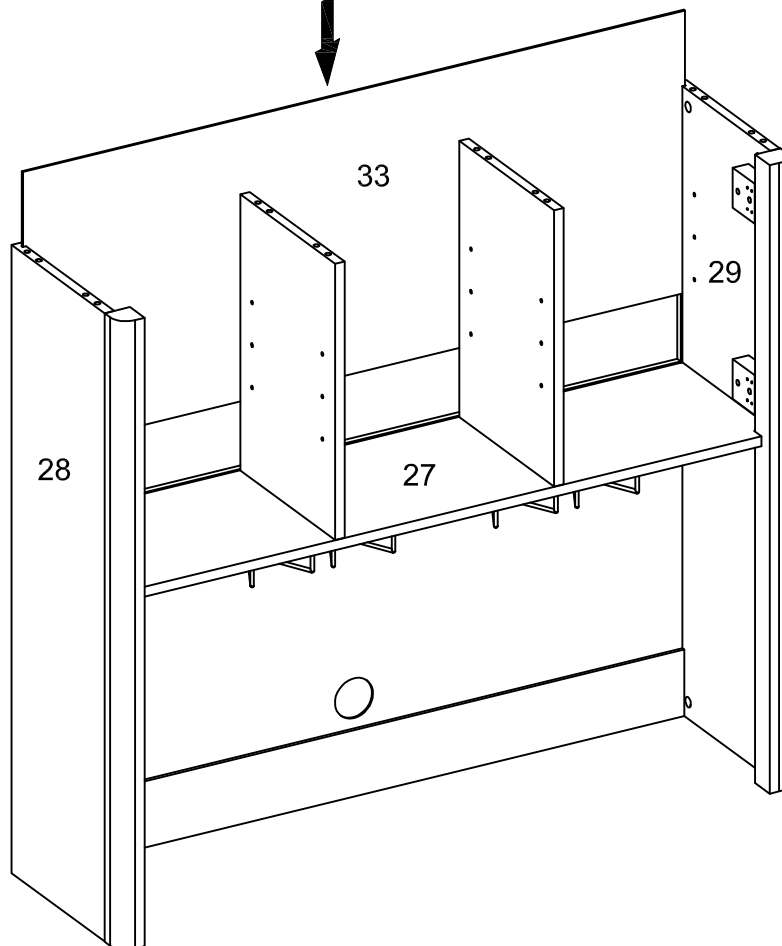
Step 43



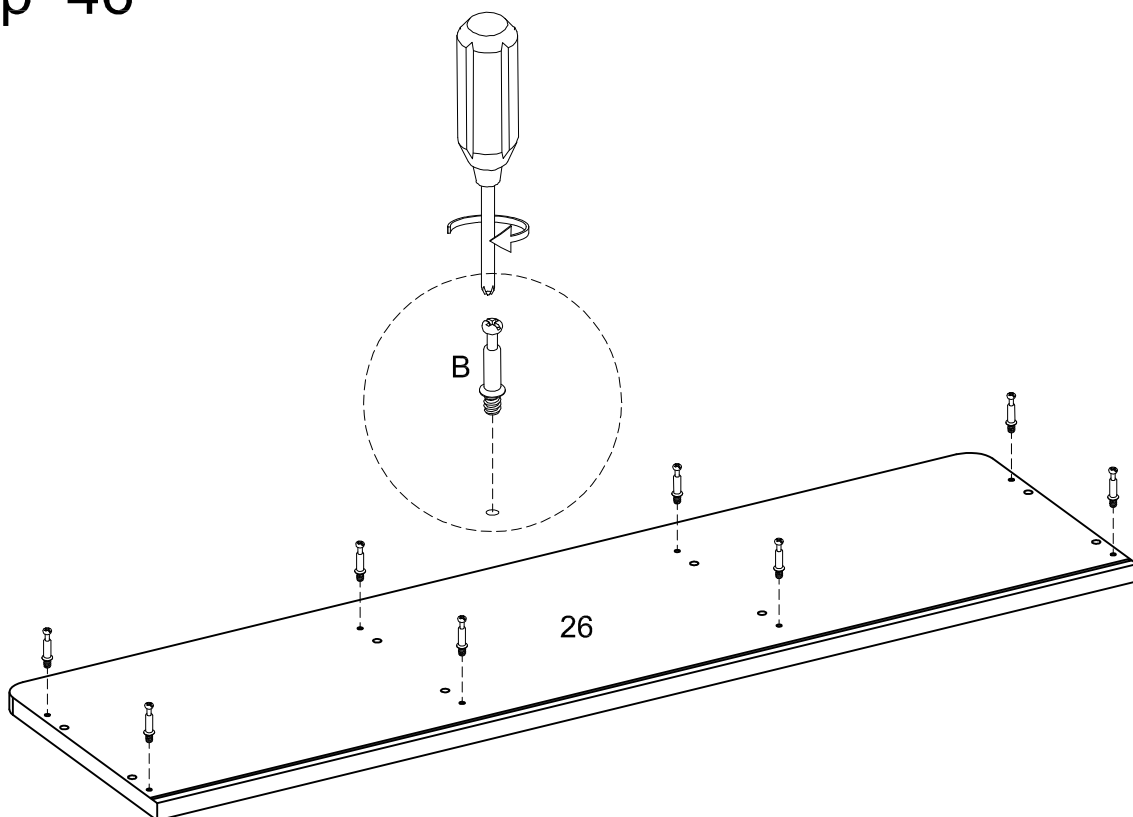
Step 44



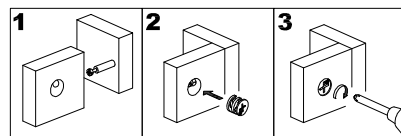
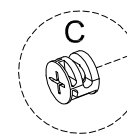
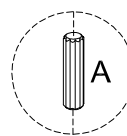
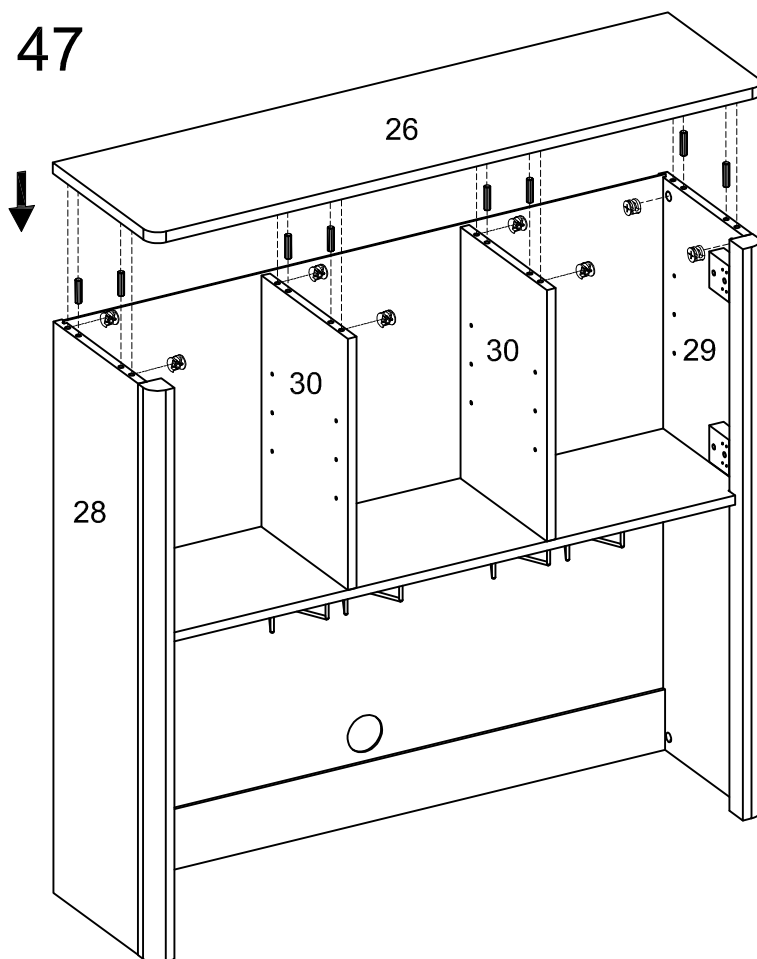
Step 45



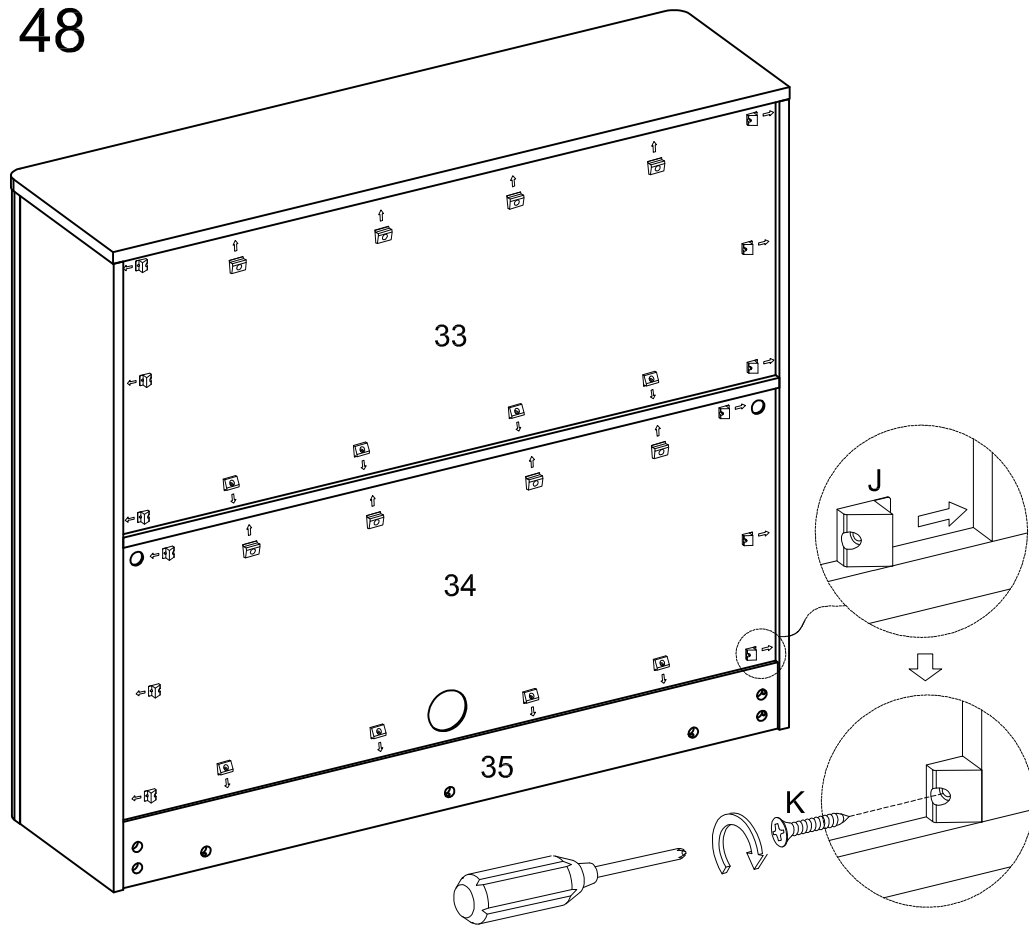
Step 46



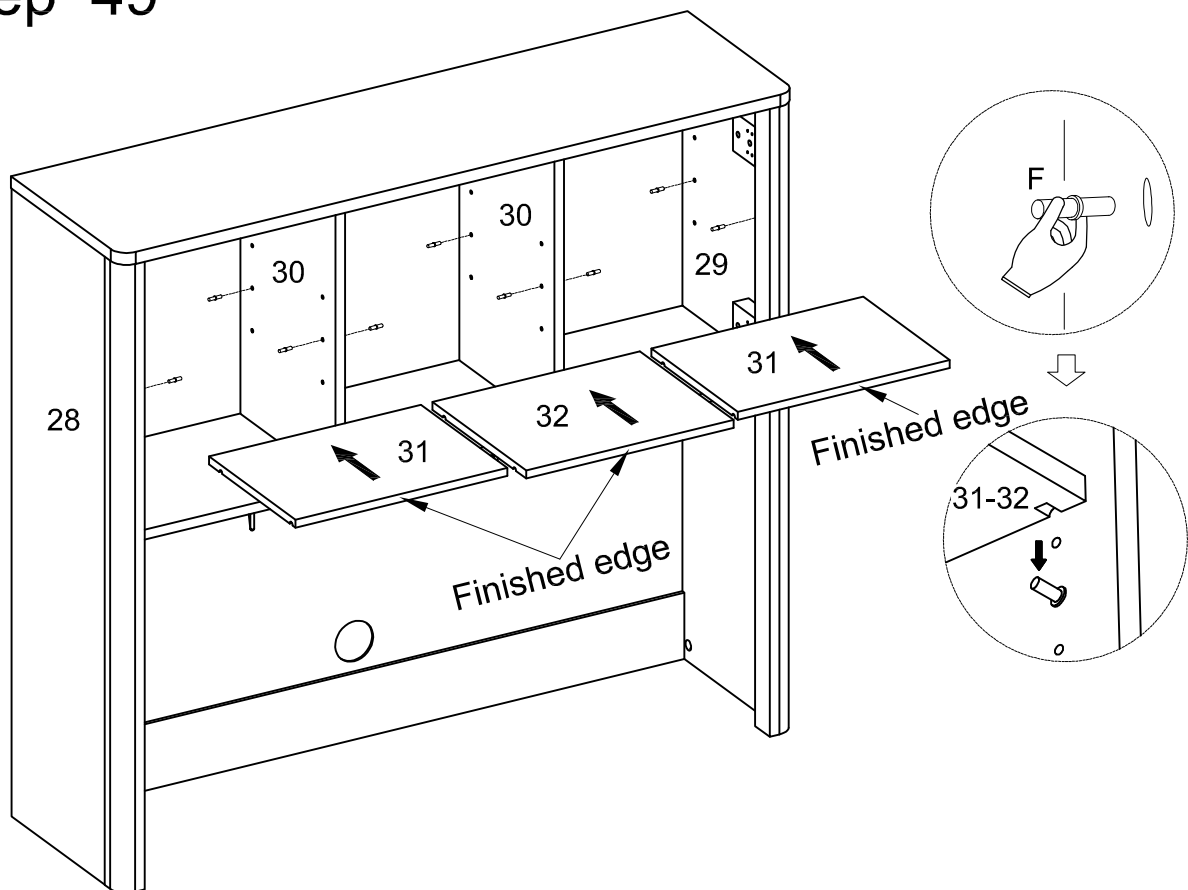
Step 47



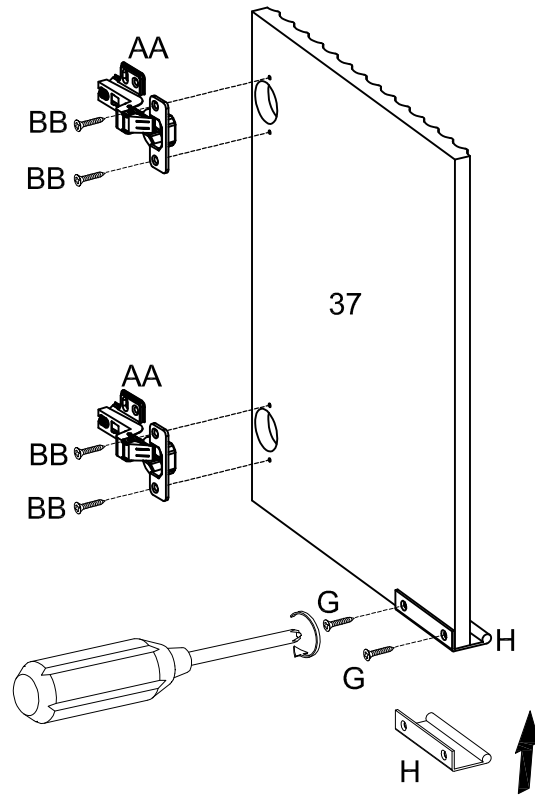
Step 48



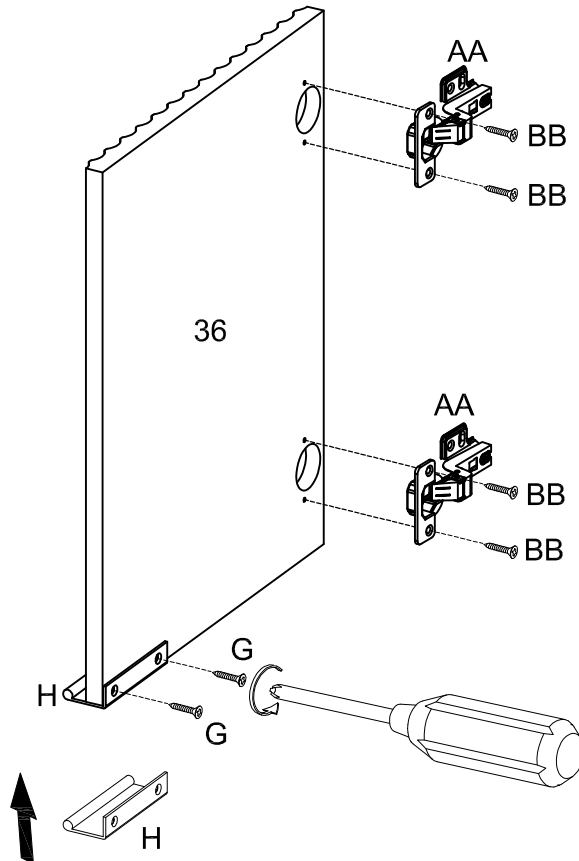
Step 49



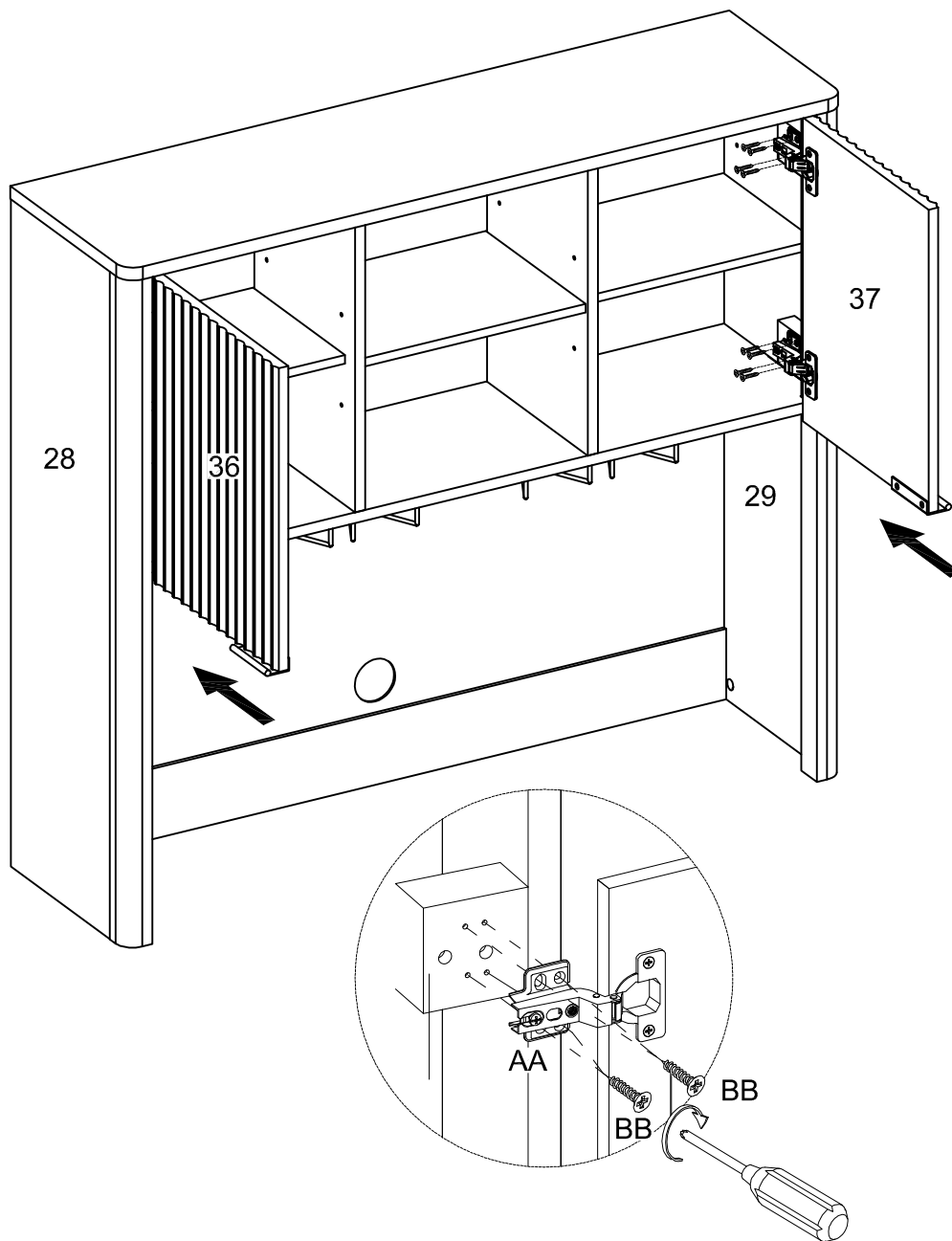
Step 50



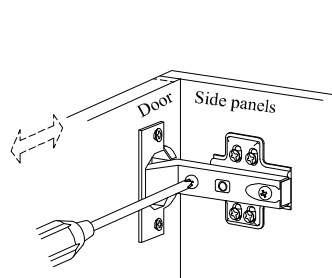
Step 51



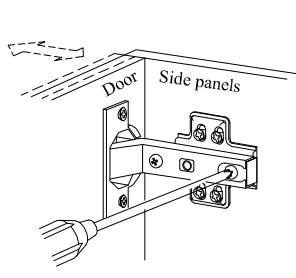
Step 52



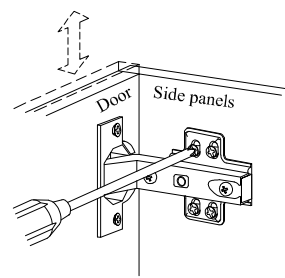
Concealed hinges are three-way adjustable.



Horizontal
by screw adjustment

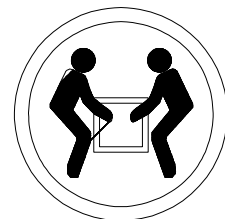
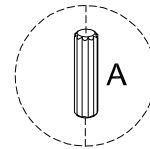
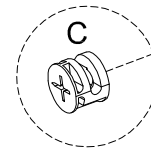
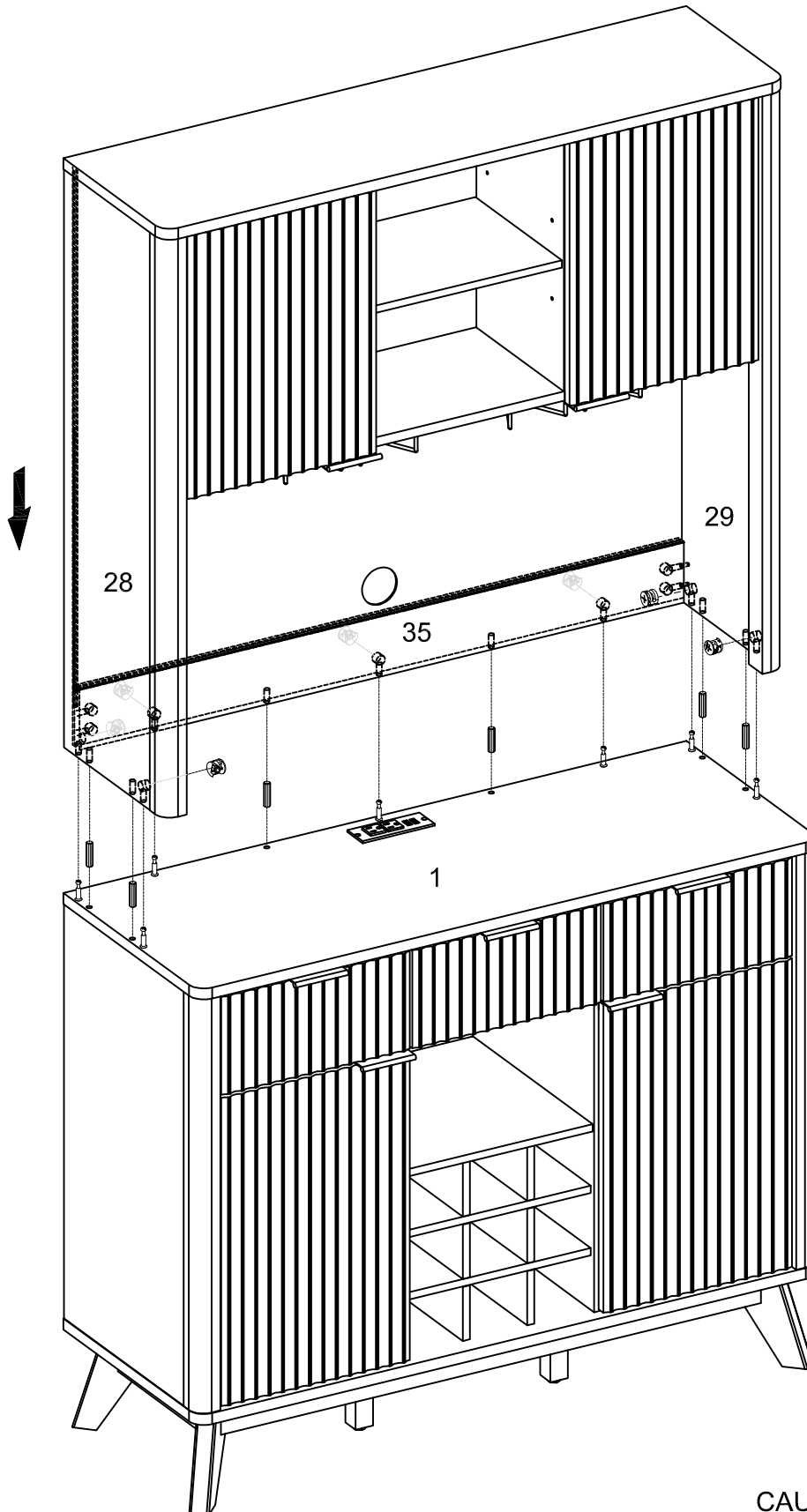
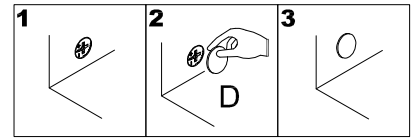
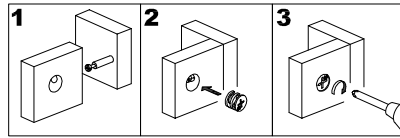


In-and-Out
by loosening the hinge-arm
mounting screw or via cam
adjustment



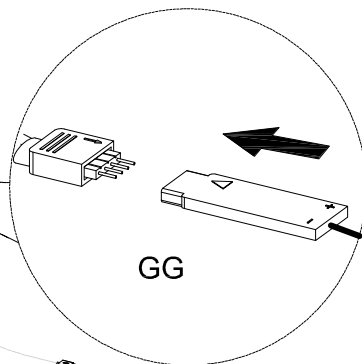
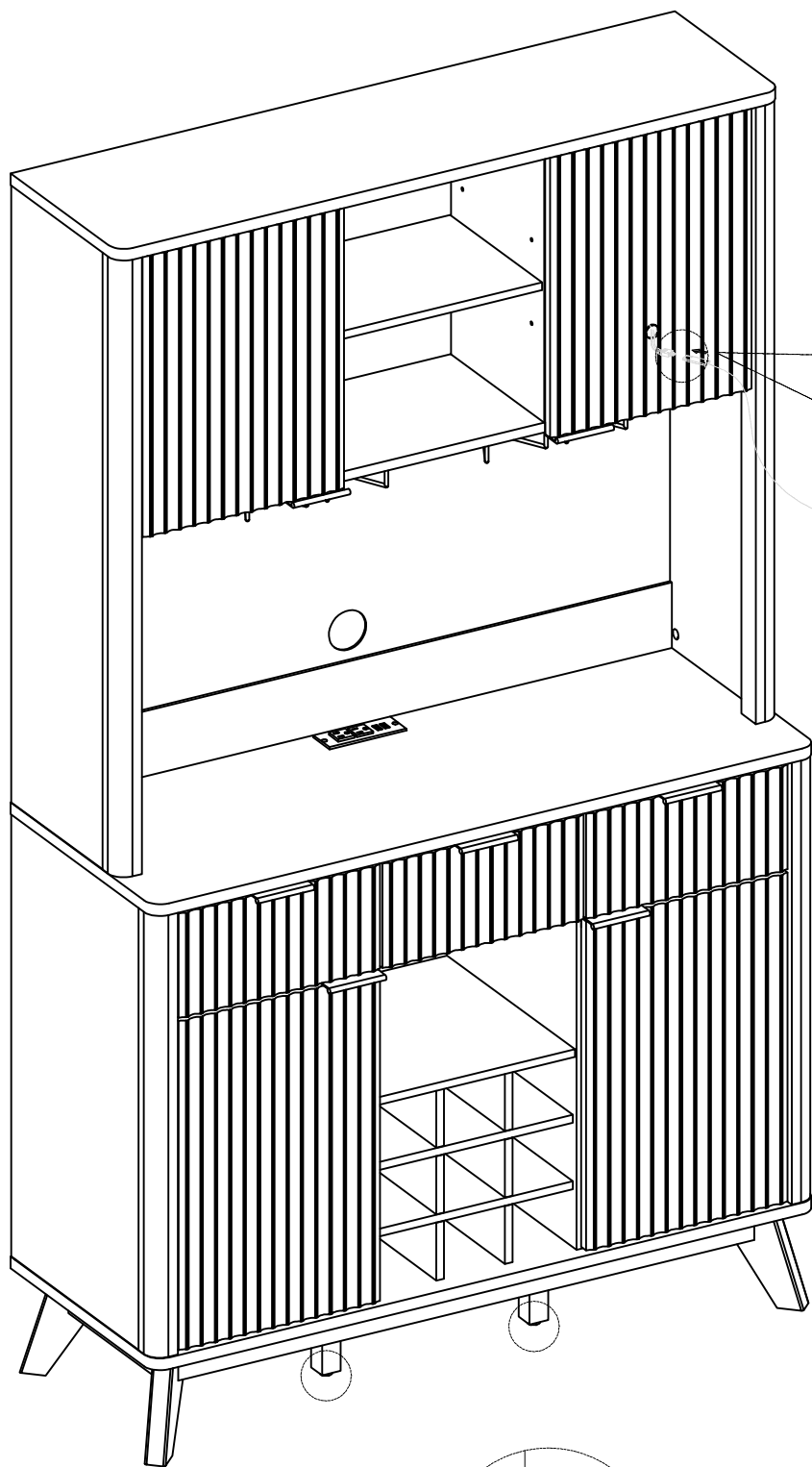
Vertical
Via slots in the mounting
plate or via cam adjustment

Step 53

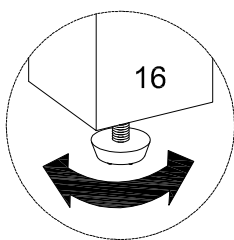


CAUTION: Heavy! You may need assistance with this step.

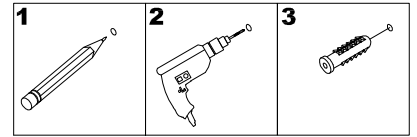
Step 54



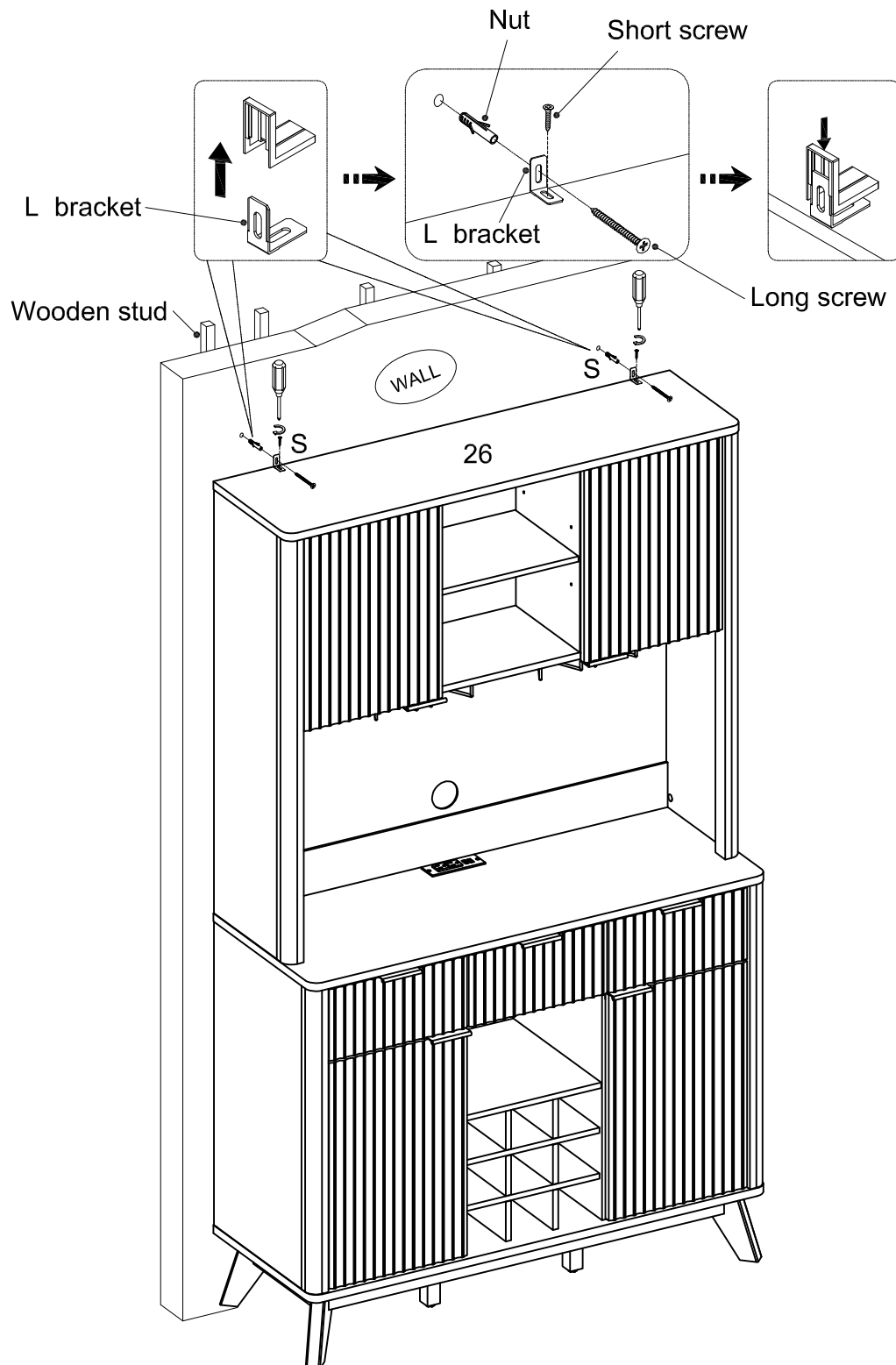
Make sure arrows to arrows



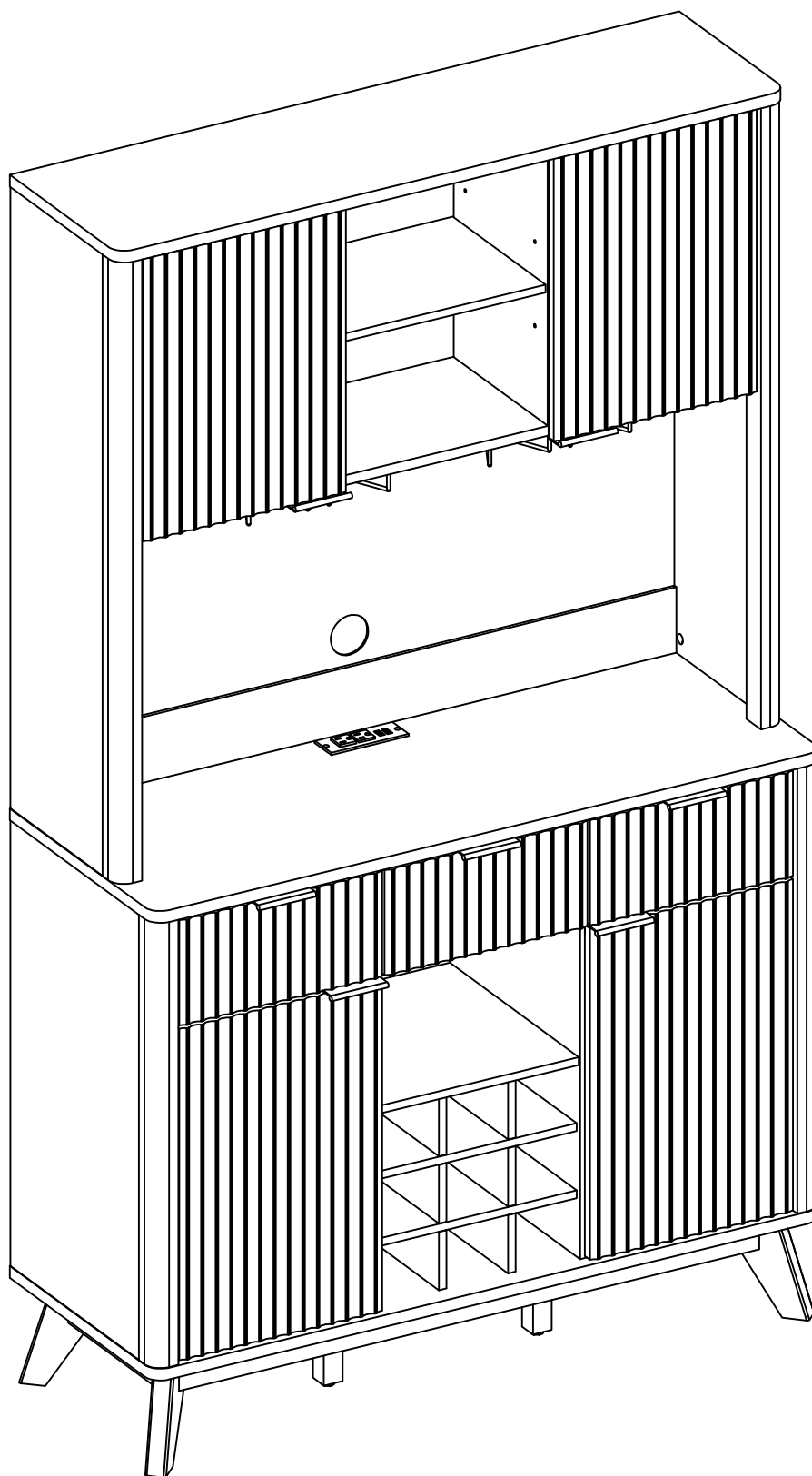
Step 55



Serious or fatal injuries can occur from furniture tipping over. To prevent the furniture from tipping over we recommend that it is permanently fixed to the wall. Wall anchor and hardware are included with this product. Please make sure hardware is suitable for your walls before installing, as different wall materials may require different types of anchors.



Step 56



Final Assembly