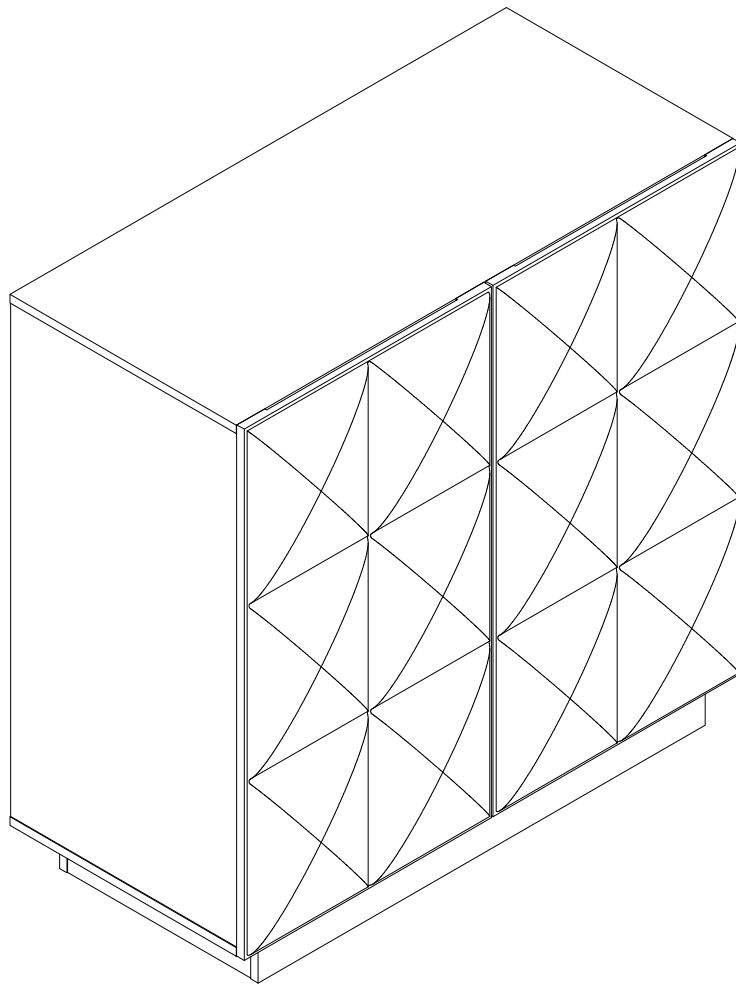


Assembly Instructions

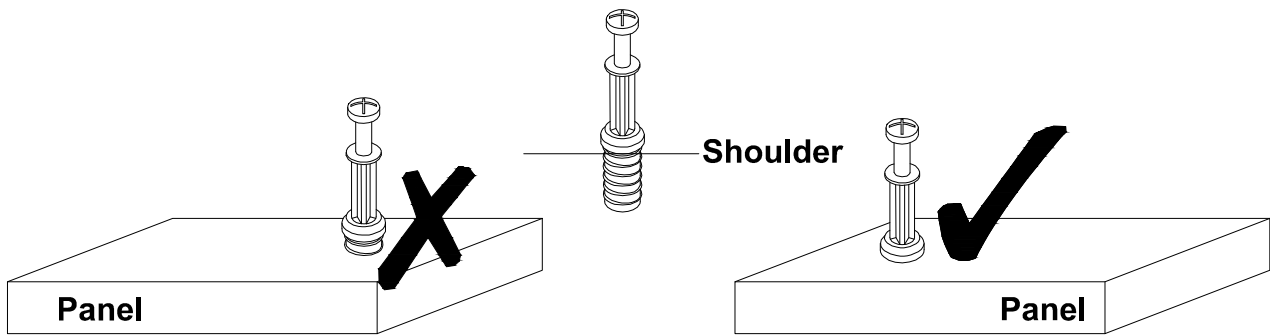


Before Assembly

Tips Before Your Start:

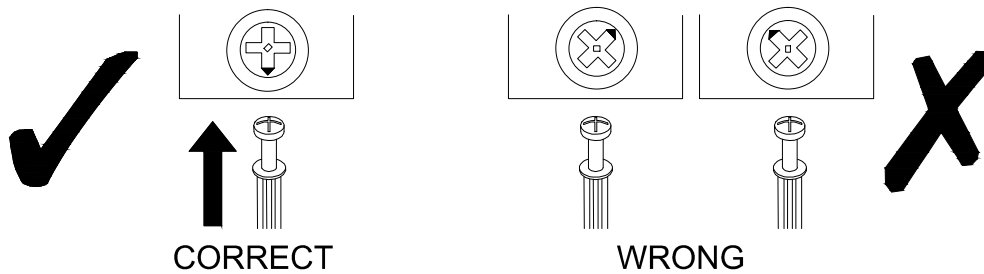
- Remove all wrapping material, including staples & packing straps before you start to assemble.
- DO NOT tighten all screws and bolts until the assembly is completely assembled.
- Keep all hardware parts out of reach of children.

QUICKFIT



Tighten quickfit until shoulder is flush with panel. Do not overtighten or undertighten.

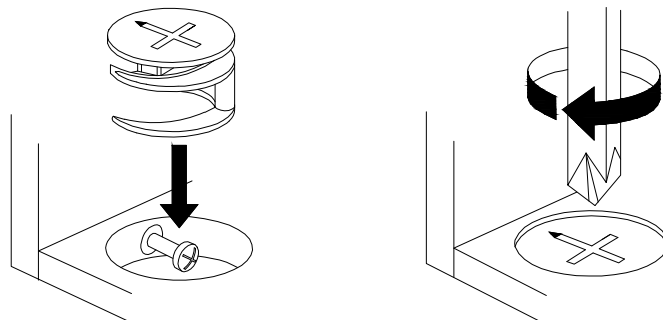
CAM LOCK



When fitting a cam lock, ensure the starting position is correct before inserting the connecting QUI CKFIT




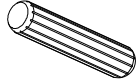
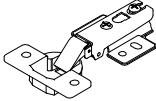
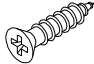
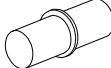
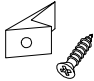

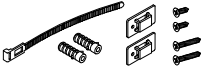
Quickfit head should be in the centre of the cam lock when the two panels are joined.

Cam lock should be inserted before quickfit.

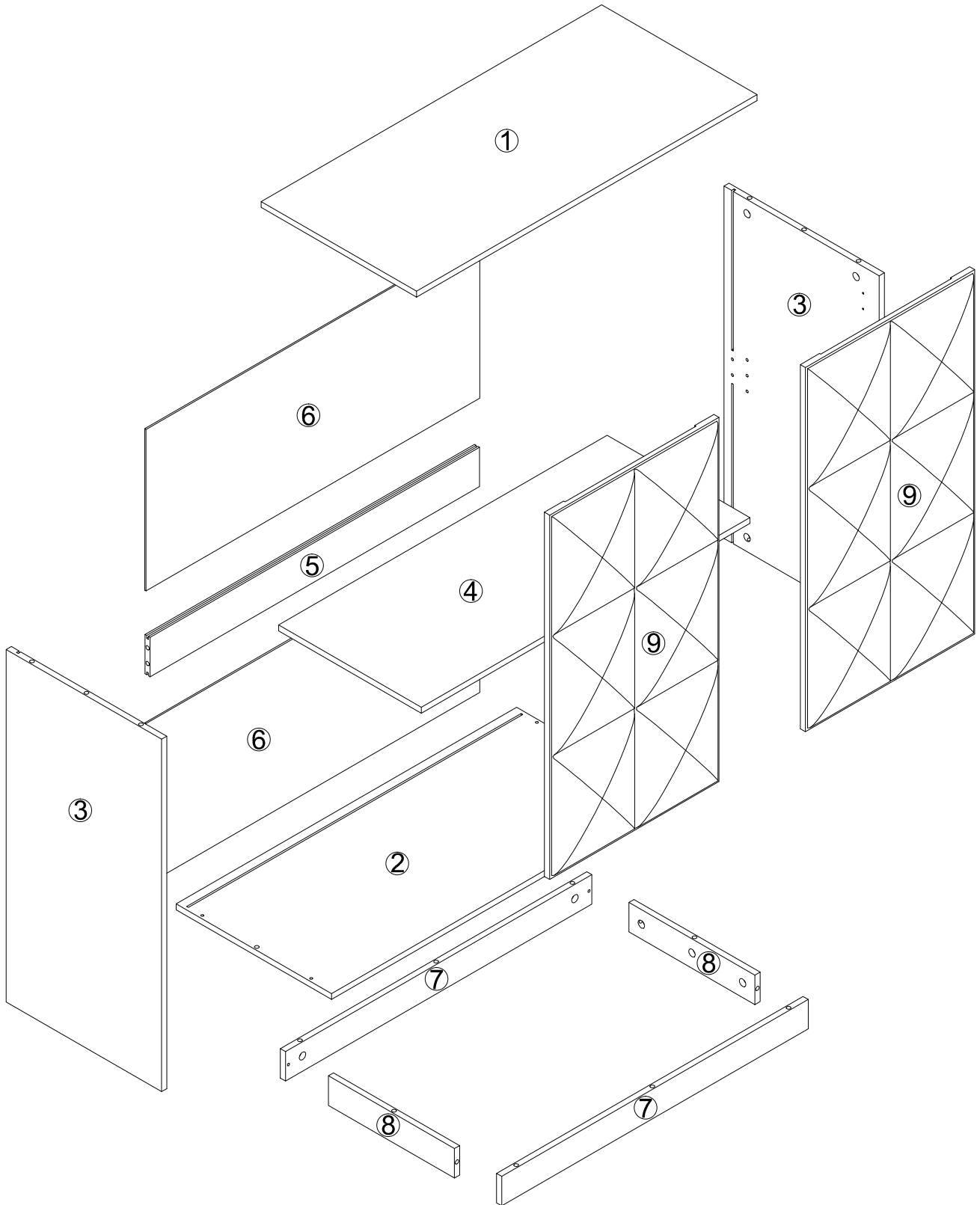


Turn cam lock clockwise to tighten.

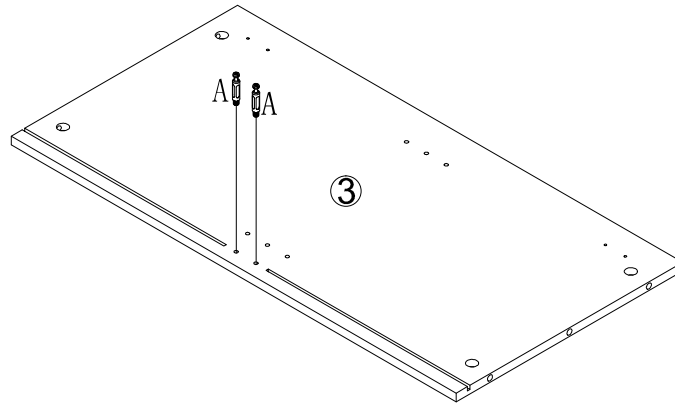
Part List

<p>No. A Quantity:22 Pcs Cam Lock Dowel 8*28mm</p> 	<p>No. B Quantity:22 Pcs Cam φ15</p> 	<p>No. C Quantity:22 Pcs Sticker Ø20</p> 	<p>No. D Quantity:6 Pcs Dowel 8*30mm</p> 
<p>No. E Quantity:4 Pcs Hinge</p> 	<p>No. F Quantity:24 Pcs Screw M3.5*12mm</p> 	<p>No. G Quantity:4 Pcs Shelf Support M5*15mm</p> 	<p>No. H Quantity:8 Sets Plastic Wedge</p> 
<p>No. I Quantity:4 Pcs Foot Pad Ø12</p> 	<p>No. J Quantity:1 Sets Anti-falling Parts</p> 		

Product structure



STEP 1

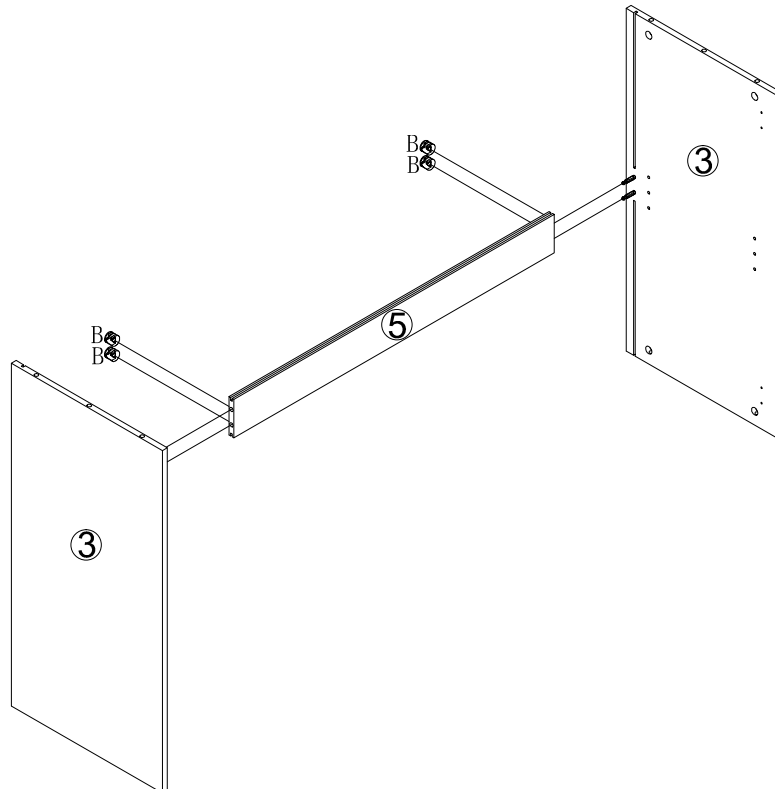


No. A
Quantity: 4 Pcs
8*28 mm



x2

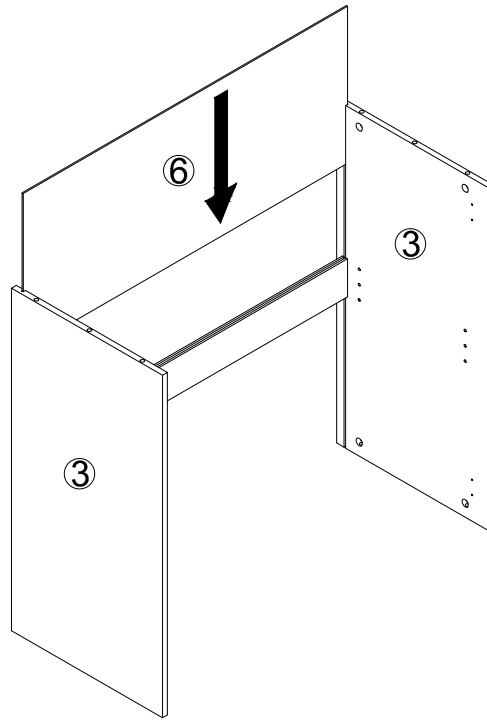
STEP 2



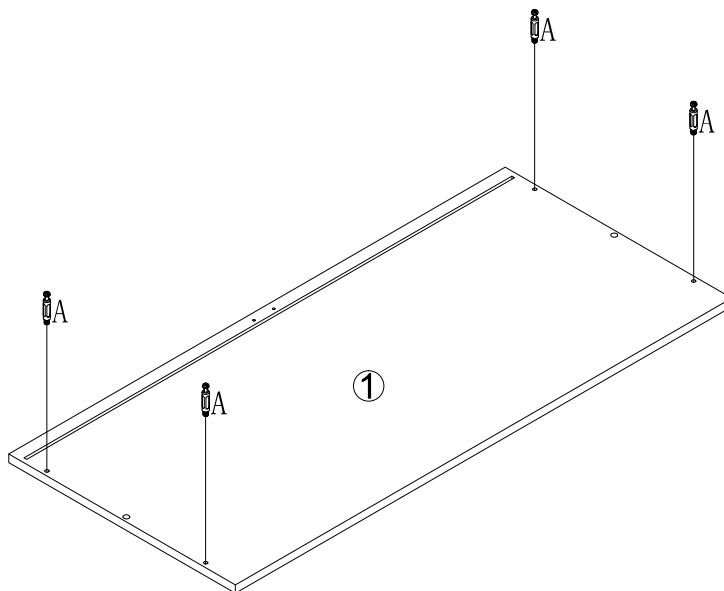
No. B
Quantity: 4 Pcs
Ø15



STEP 3



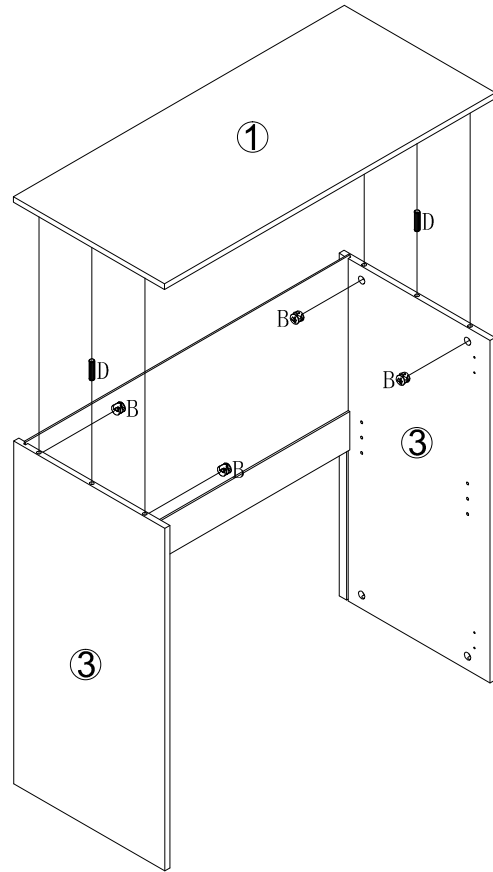
STEP 4



No. A
Quantity: 4 Pcs
8*28 mm



STEP 5



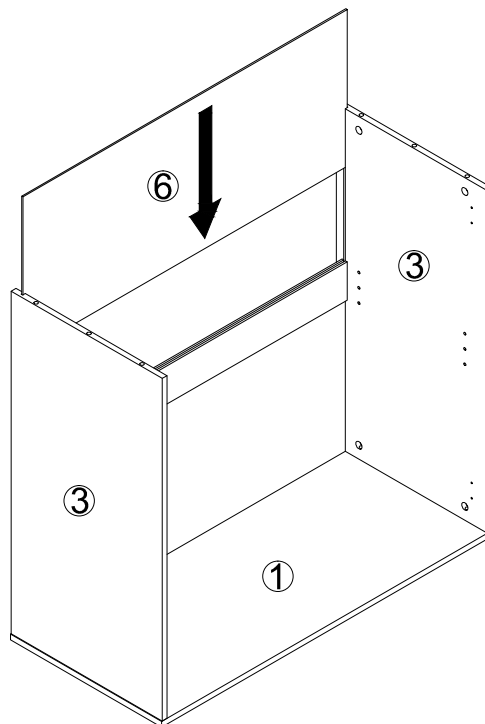
No. B
Quantity: 4 Pcs
Ø15



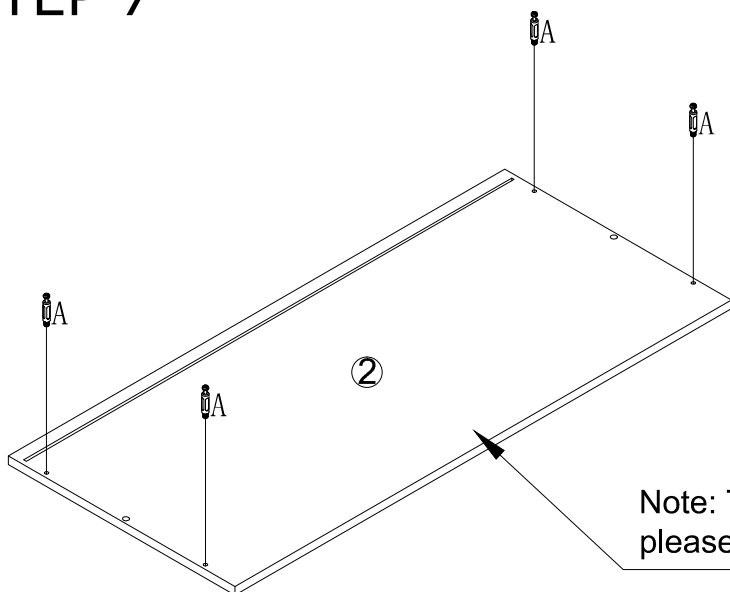
No. D
Quantity: 2 Pcs
8*30mm



STEP 6



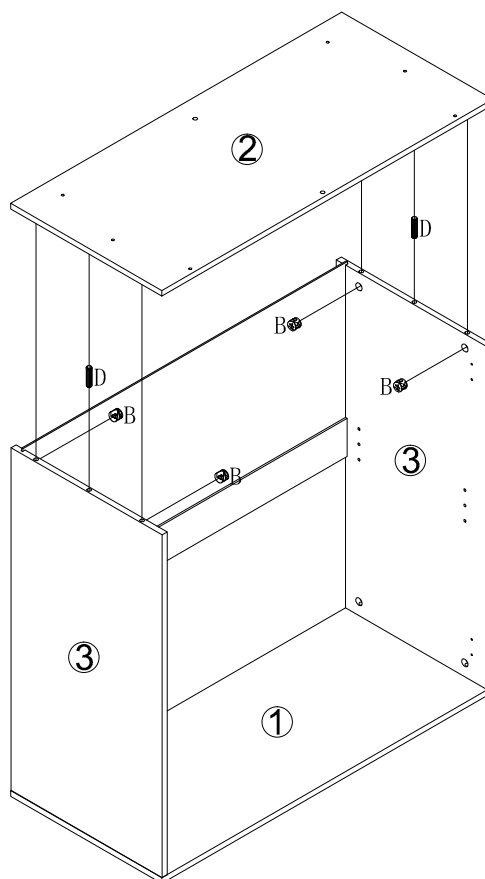
STEP 7



No. A
Quantity: 4 Pcs
8*28 mm



STEP 8



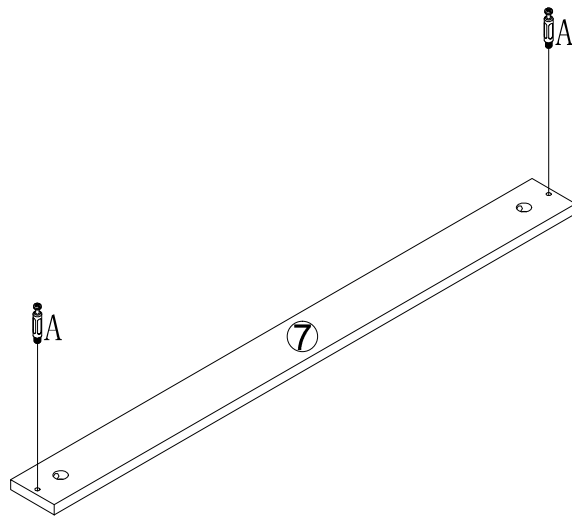
No. B
Quantity: 4 Pcs
Ø15



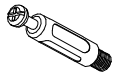
No. D
Quantity: 2 Pcs
8*30mm



STEP 9

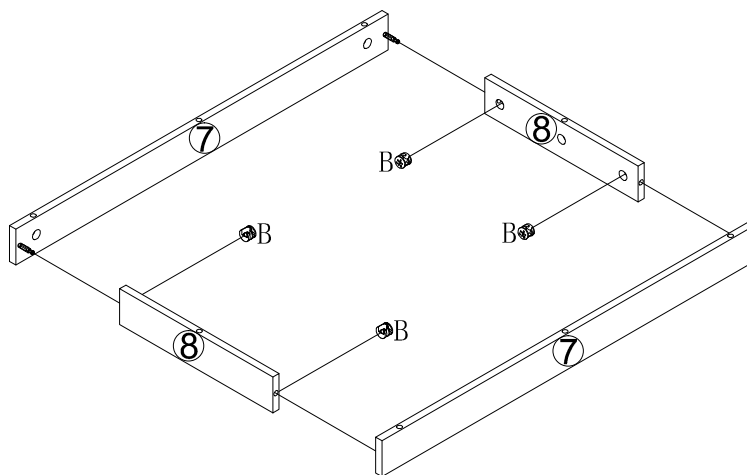


No. A
Quantity: 4 Pcs
8*28 mm



x2

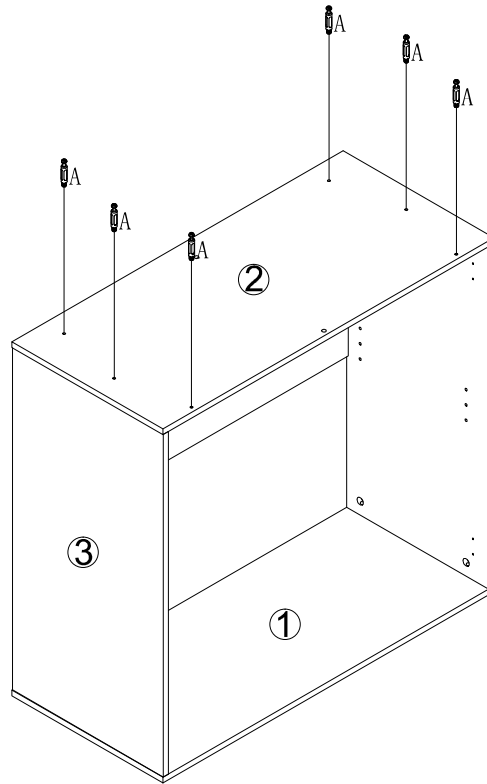
STEP 10



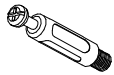
No. B
Quantity: 4 Pcs
Ø15



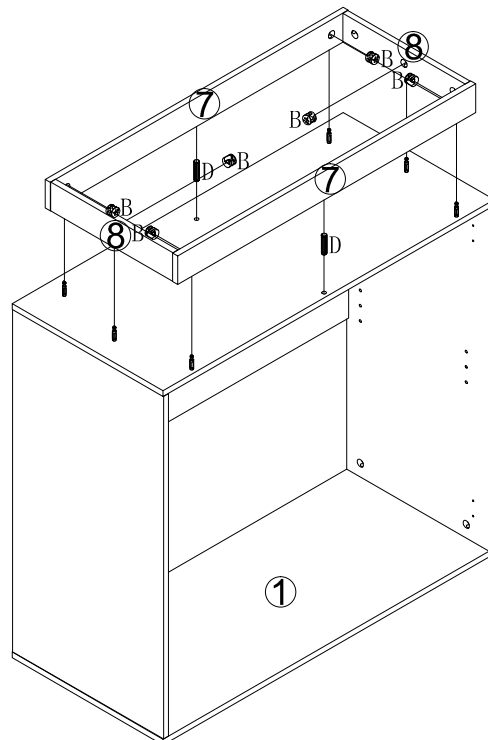
STEP 11



No. A
Quantity: 6 Pcs
8*28 mm



STEP 12



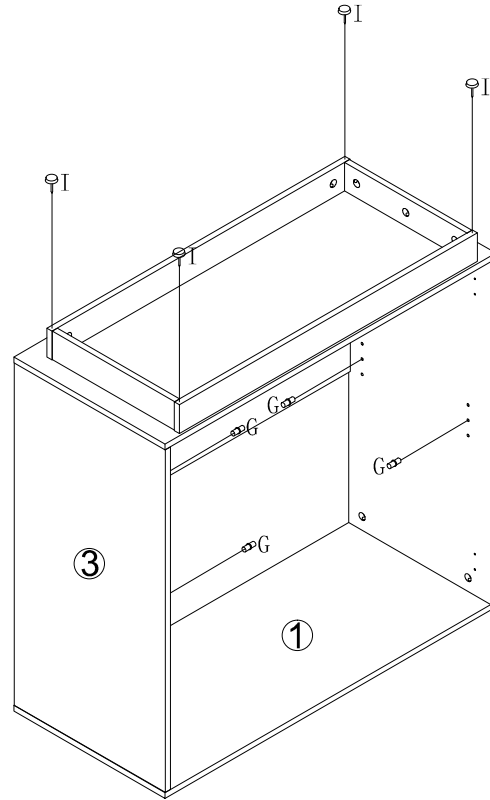
No. B
Quantity: 6 Pcs
Ø15



No. D
Quantity: 2 Pcs
8*30mm



STEP 13



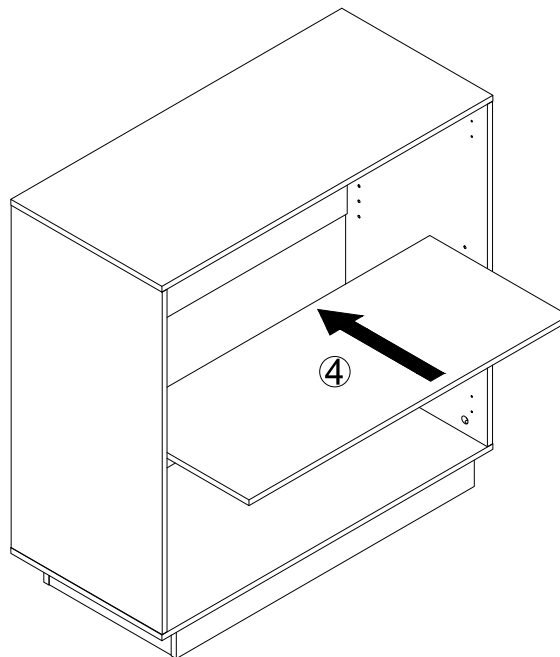
No. G
Quantity: 4 Pcs
M5*15mm



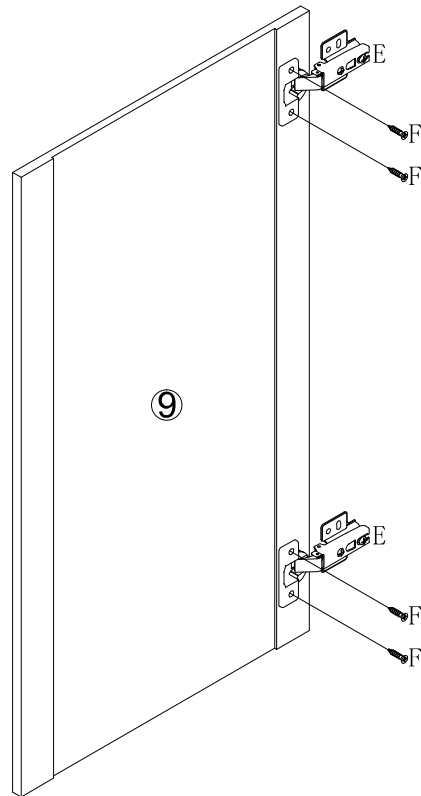
No. I
Quantity: 4 Pcs
Ø12



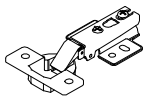
STEP 14



STEP 15



No. E
Quantity: 4 Pcs

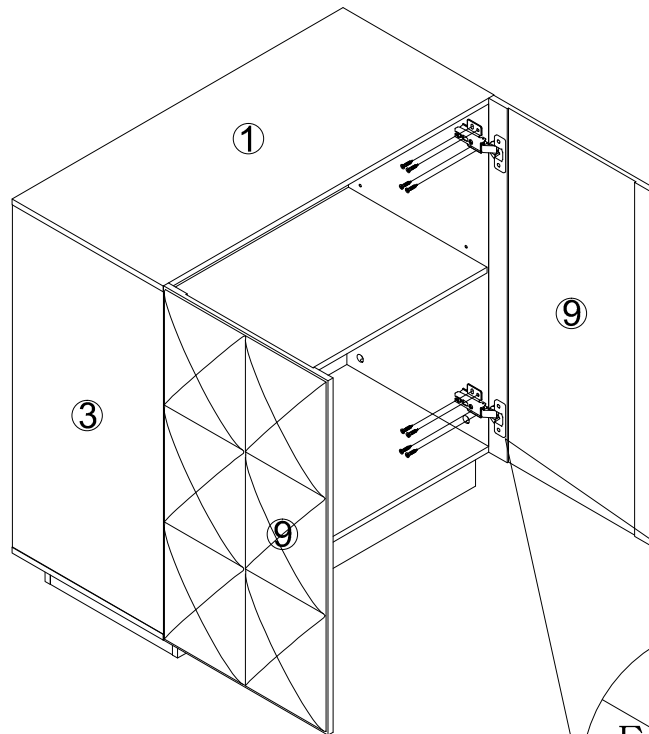
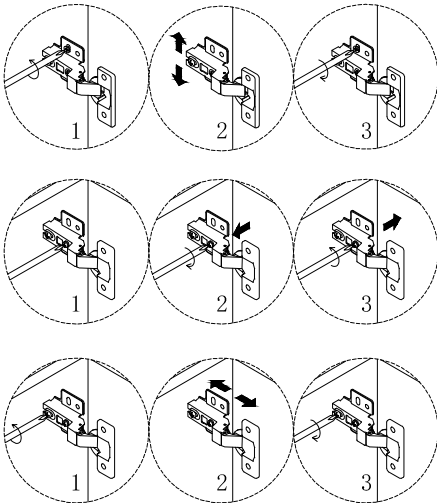


No. F
Quantity: 8 Pcs
M3.5*12mm

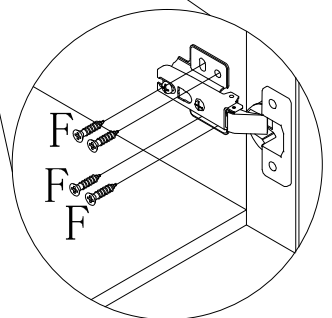


x2

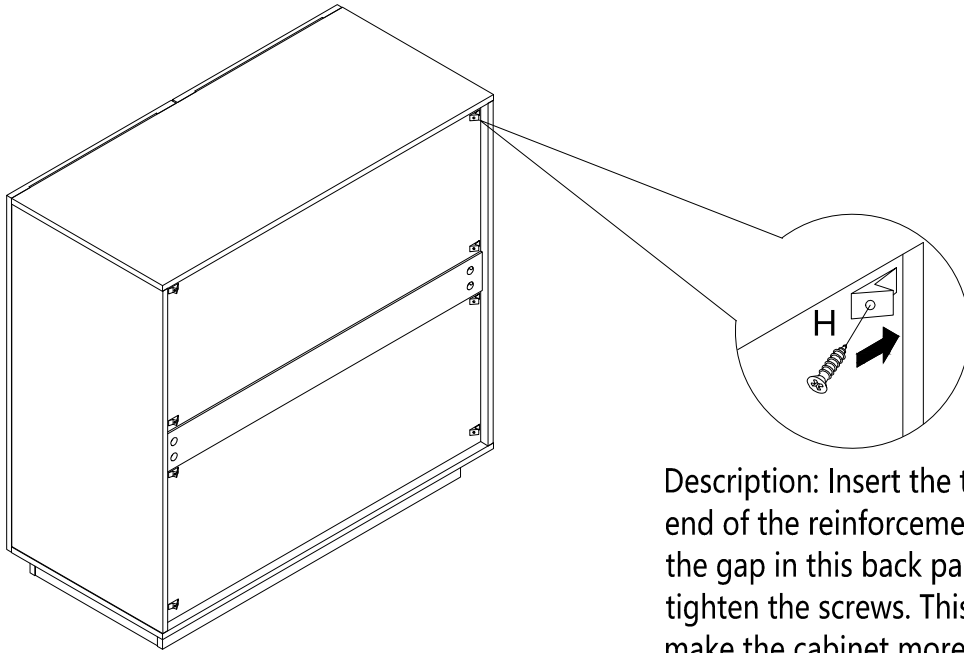
STEP 16



No. F
Quantity: 16 Pcs
M3.5*12mm

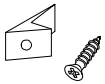


STEP 17



Description: Insert the thinner end of the reinforcement into the gap in this back panel, then tighten the screws. This will make the cabinet more stable.

No. H
Quantity: 8 Sets



STEP 18

