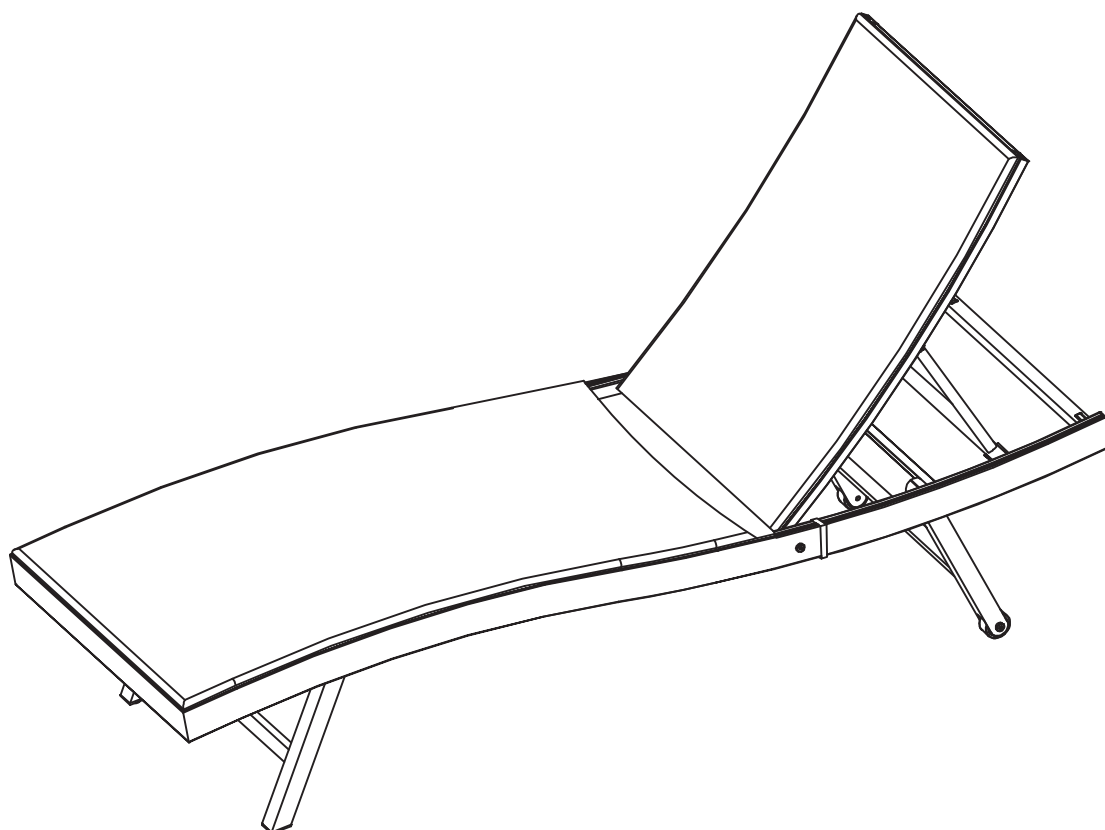


OUTDOOR RATTAN ALUMINUM LOUNGE CHAIR

ASSEMBLY INSTRUCTIONS



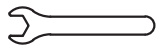
ASSEMBLY INSTRUCTIONS

- Prior to assembly, make sure to lay out and identify all of the parts listed below in the parts list.
- Tighten all nuts and bolts securely. All bolts should be hand tightened before use. Never use power tools or excessive force during assembly and tightening of bolts.

TOOLS REQUIRED:



ALLEN WRENCH

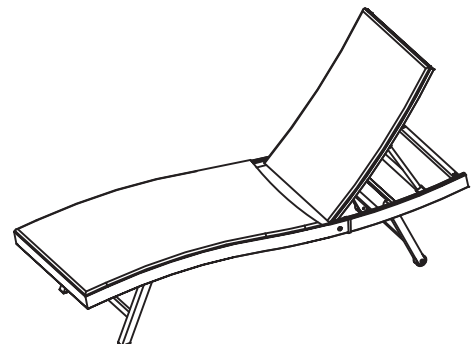


SCREWDRIVER

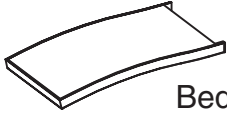
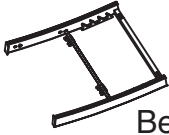



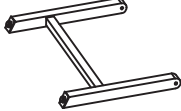
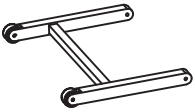
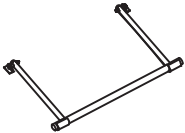



(PROVIDED)










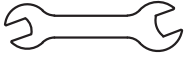
Warning:

1. Do not exceed 360lbs weight limit.
2. Make sure the lounger is Placed on a solid level surface.



Part list

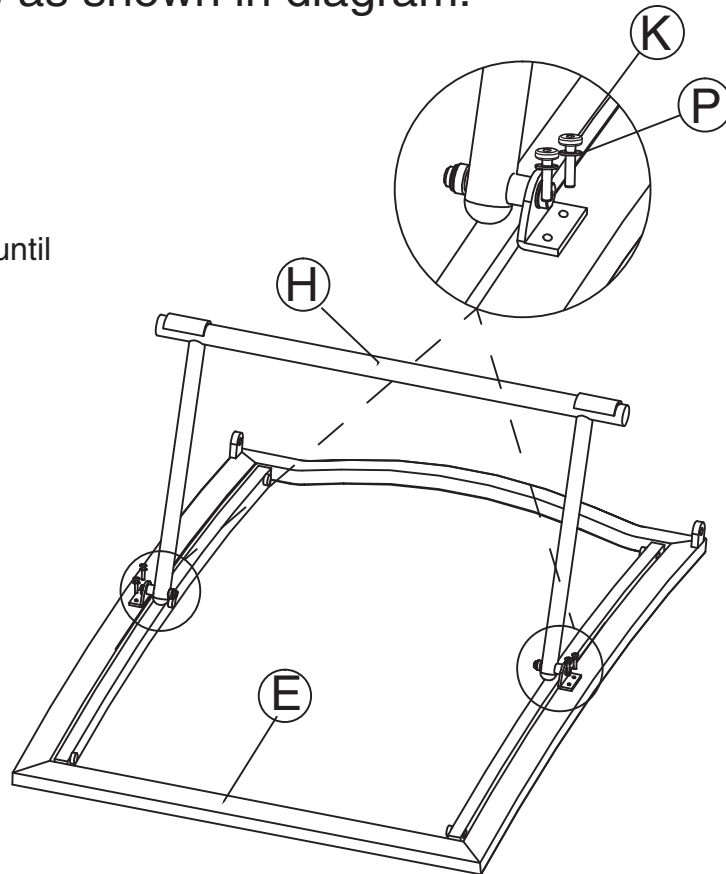
Part	Description	Qty
A	 Bed frame	1
B	 Bed frame	1
C	 Right Connector	1
D	 Left Connector	1
E	 Back	1
F	 Front Leg	1
G	 Rear Wheel Leg	1
H	 Support bar	1
J	 Support bar	1
K	 M6X16 Bolt	4+1
L	 M6X18 Bolt	10+2

Part	Description	Qty
M	 M6X40 Bolt	2+1
N	 M8X68 Bolt	4+1
P	 D6 Washer	18+2
Q	 D8 Washer	4+1
R	 M6 Nut	2+1
S	 Plastic Cylinder	4
T	 Plastic Cover	2
U	 Plastic Washer	2
V	 Allen Key	1
W	 Wrench	1

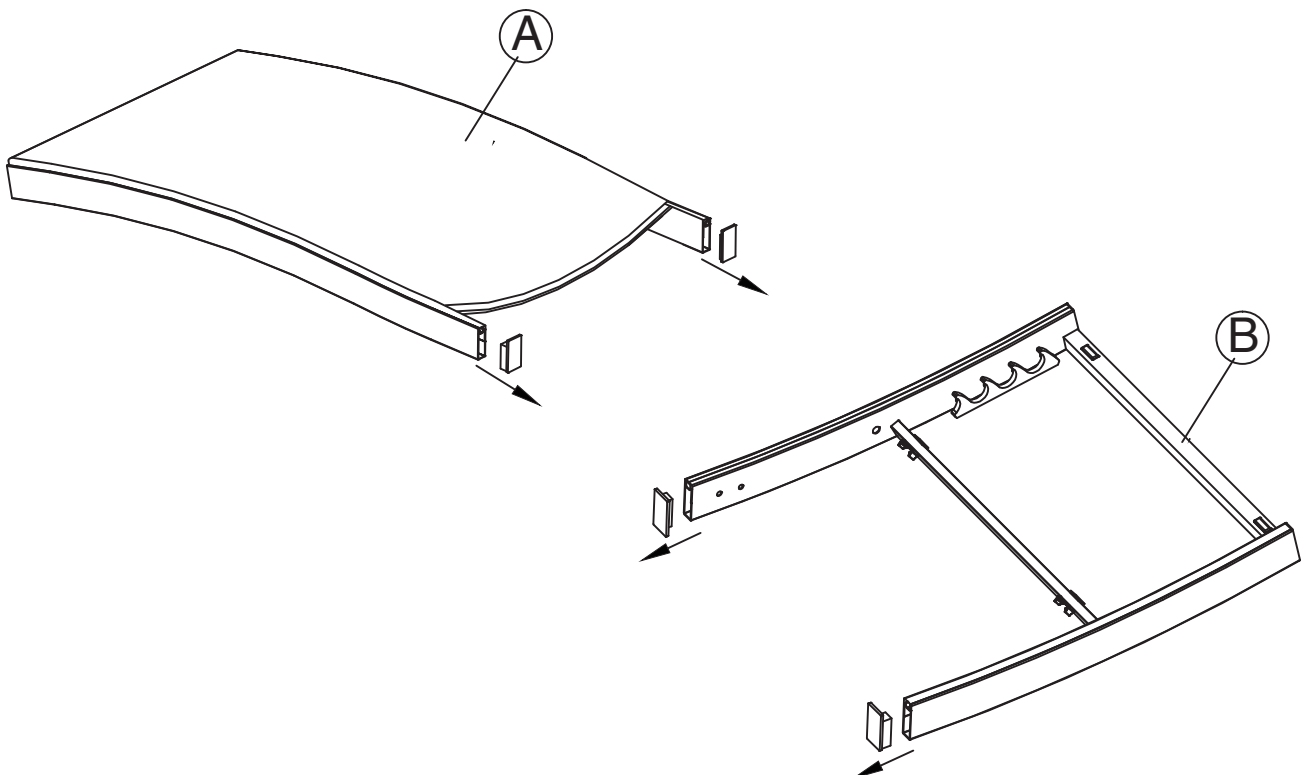
1. Attach Support Bar (Part H) to Back (Part E) using Bolt (K) and Washer (P) as shown in diagram.



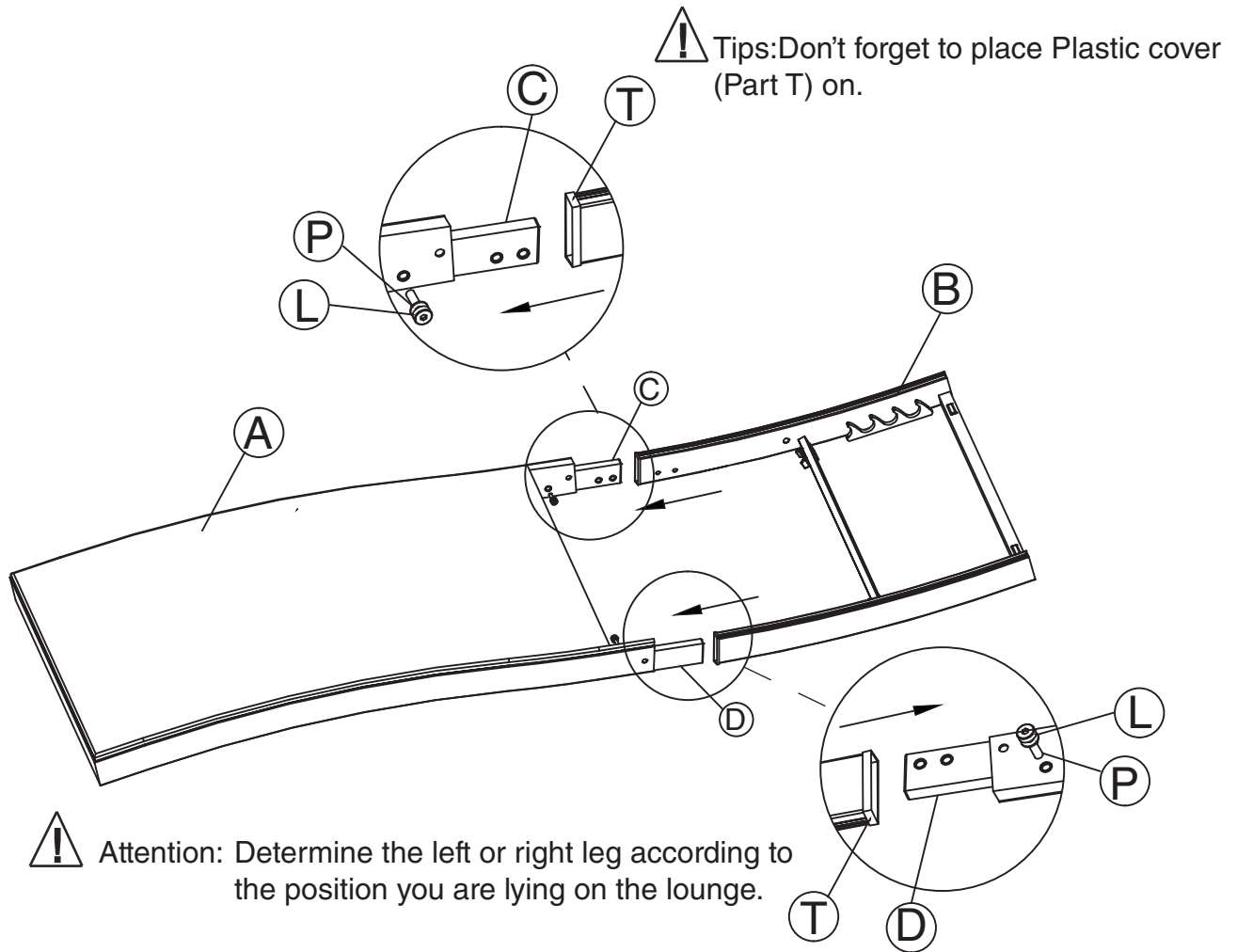
Attention:
Don't screw thoroughly until
final step.



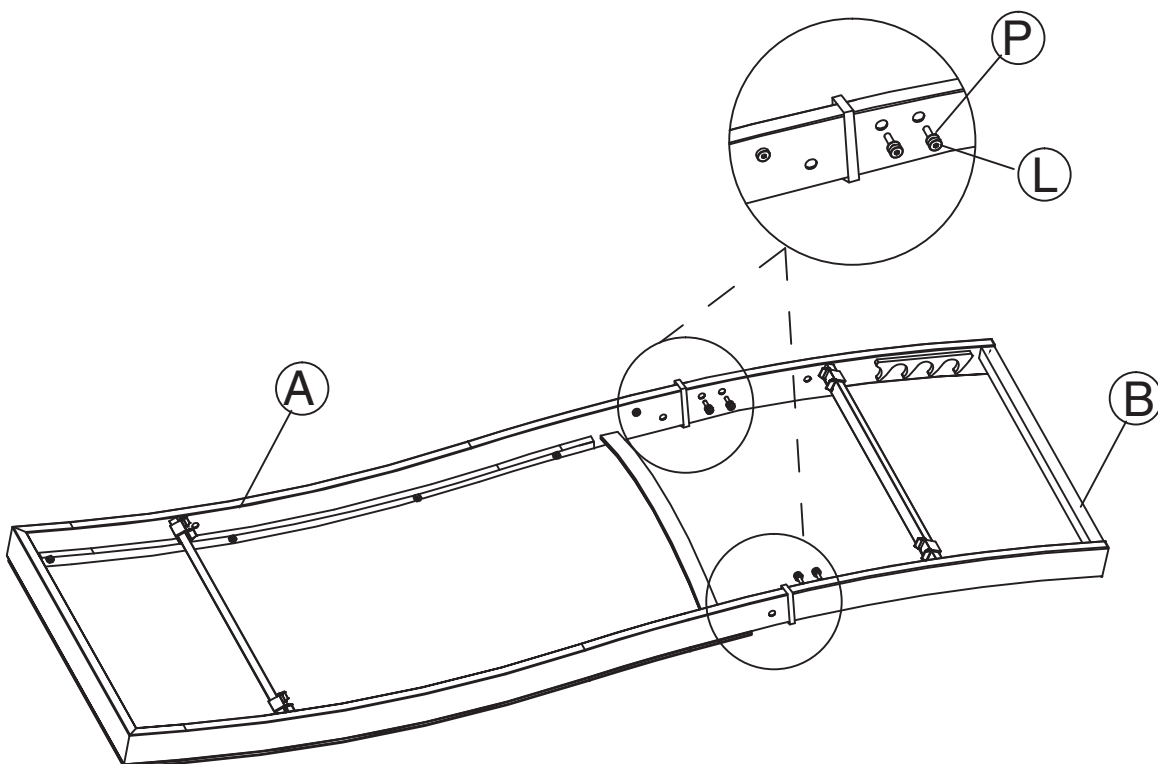
2. Pull the plastic plugs out from Bedframe (Part A) & (Part B).
Tips: plastic plugs merely prevent damage to tube.



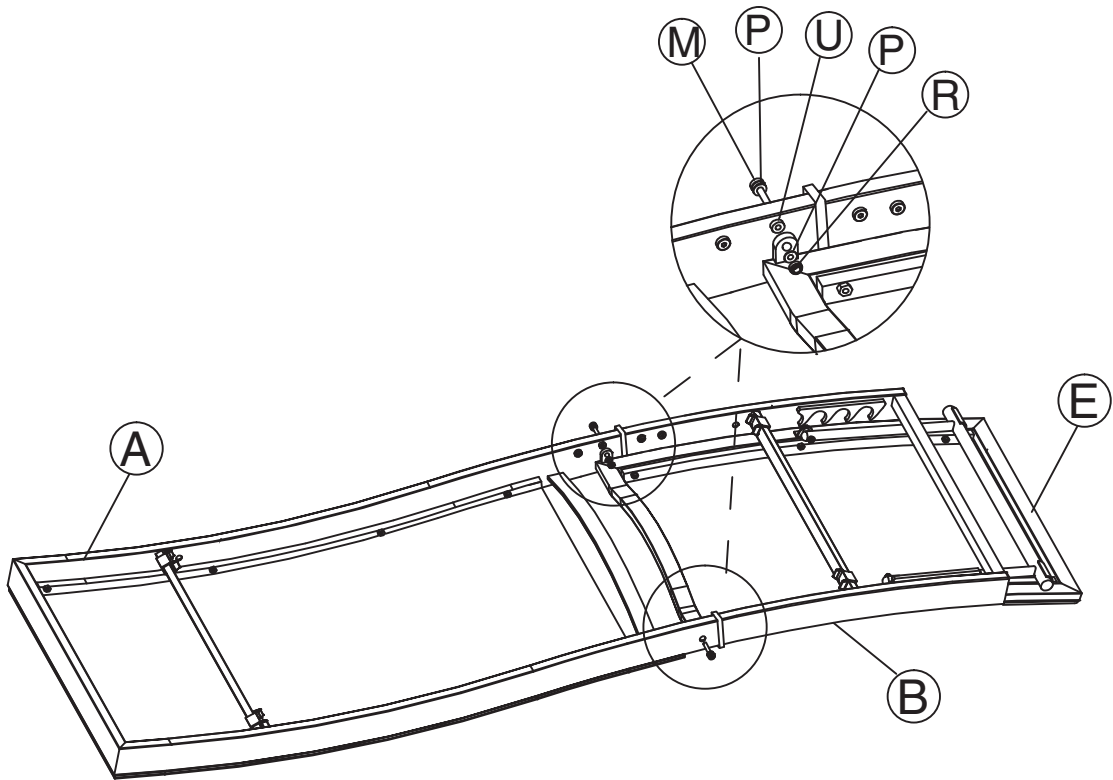
3. Connect Bed frame (Part A) & (Part B) using Right Connector (Part C), Left Connector (Part D), Bolt (L) and Washer (P).



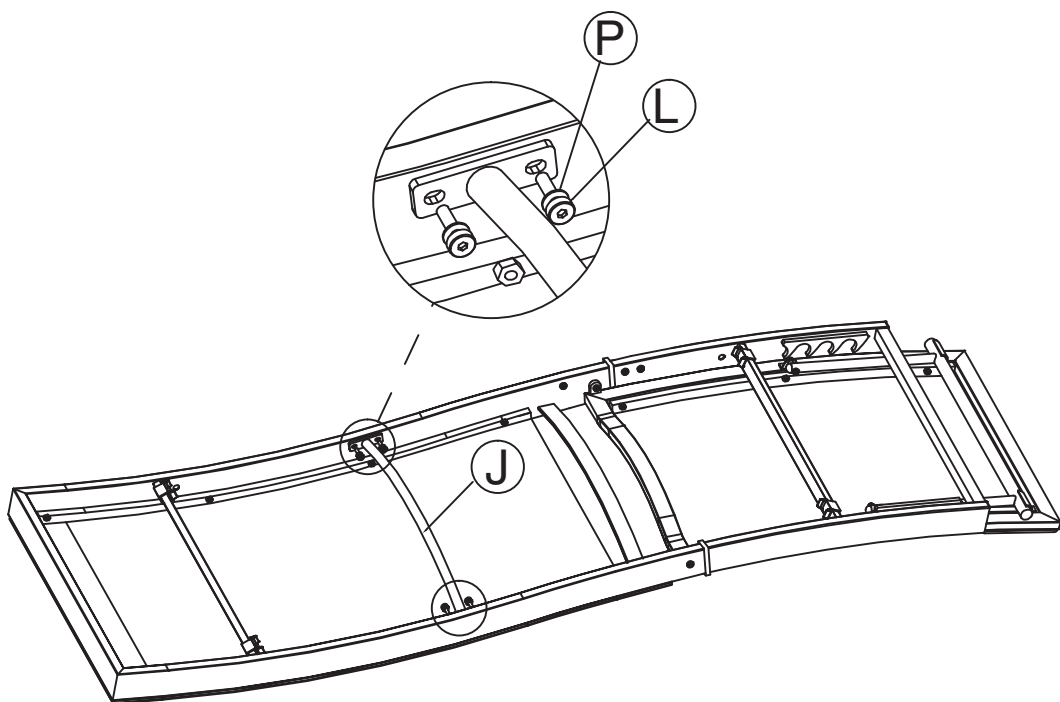
4. Then, turn over the whole Bed frame and strengthen it using Bolt(L) and Washer (P).



5. Connect Back (Part E) to Bed frame (Part A & B) using Bolt (M) Washer (P) , and Nut (R).



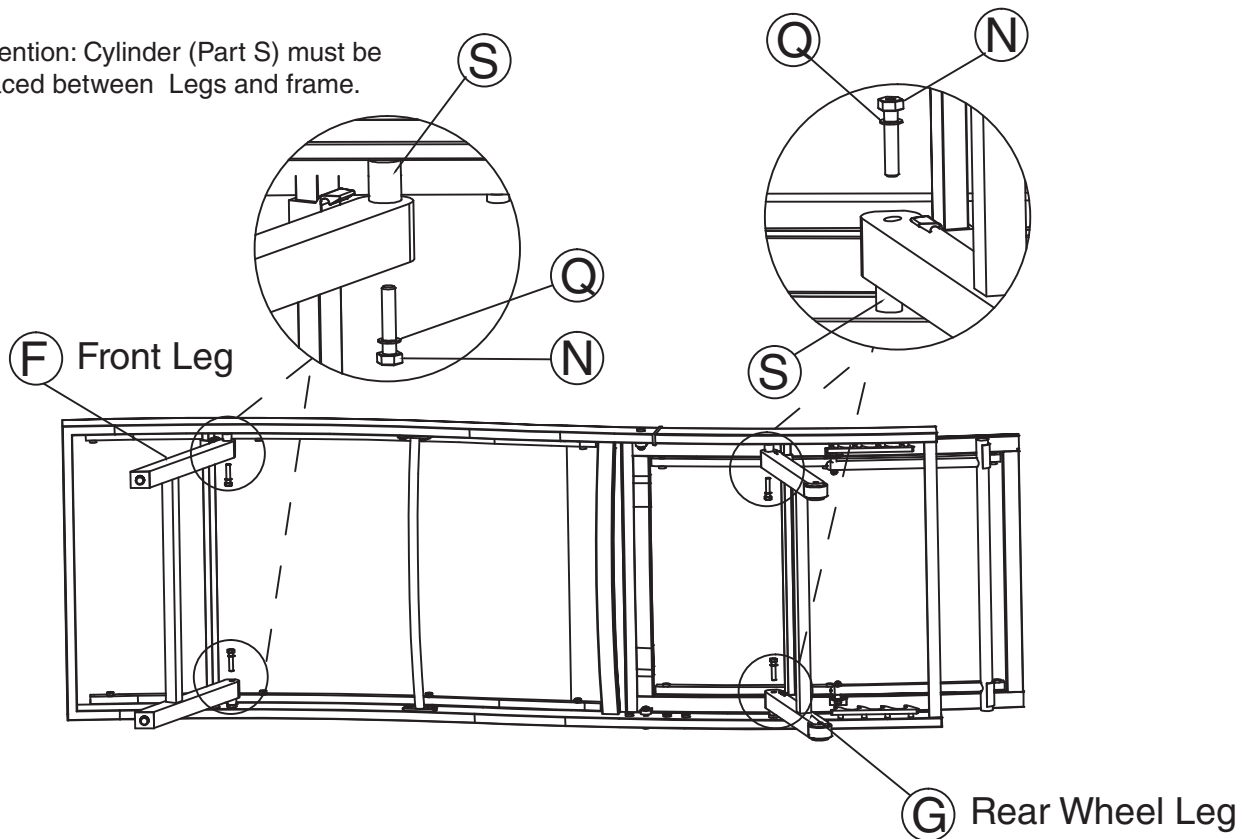
6. Attach Support bar (Part J) to whole Bed frame using Bolt (L) and Washer (P).



7. Attach Front Leg (Part F) and Rear Leg (Part G) to Bed Frame using Plastic Cylinder (S), Bolt (N), and Washer (Q).



Attention: Cylinder (Part S) must be placed between Legs and frame.



8. Check that all bolts are fixed tightly before using. Repeat for other lounge chair.

