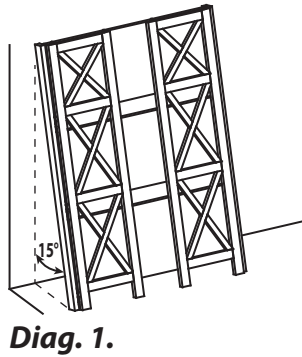
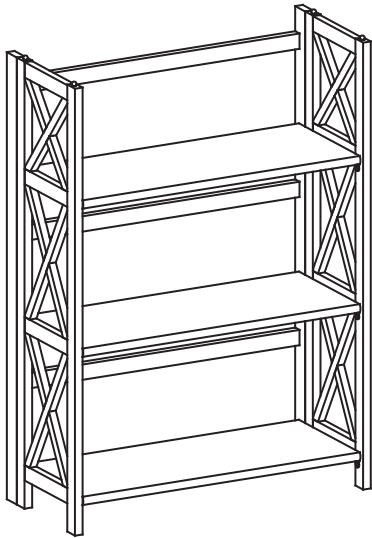
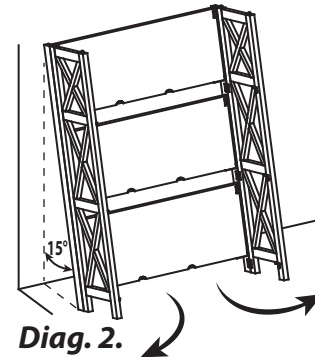


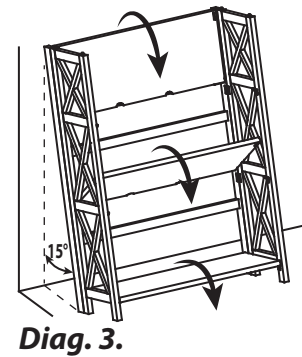
ASSEMBLY INSTRUCTION 3-Shelf Folding Bookcase



Step 1: Gently lean the closed bookcase against the wall with a slight tilt to the back as per **Diag. 1.**

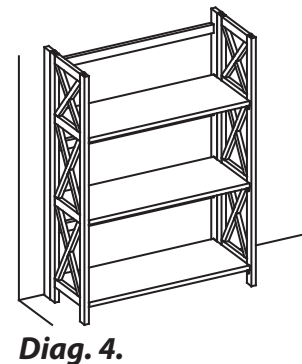


Step 2: Open side panels as per **Diag. 2.**




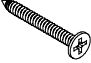
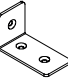
Step 3: While they are opened lower each shelf as per **Diag. 3.**

Make sure each shelf rests on the metal clip one on each side of the side panels.



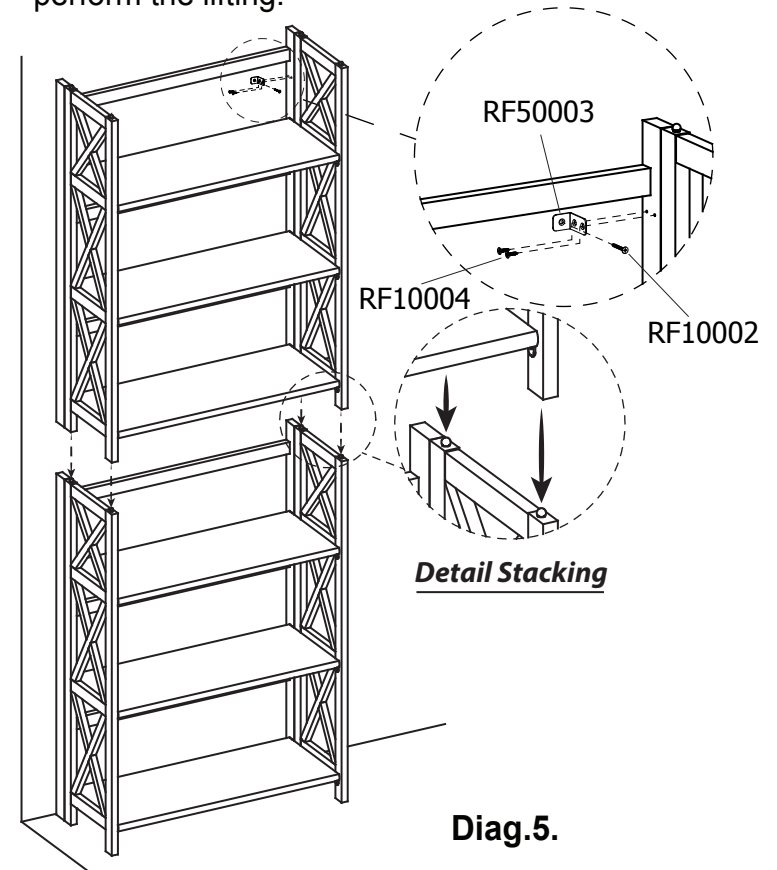
Step 4: Stand the bookcase to its upright position as per **Diag. 4.**

List of Hardware

| NO | DESCRIPTION | Q'TY |
|---------|---|------|
| RF10004 |  Screws F6 x 5/8" | 4 |
| RF10002 |  Screws F6 x 1 1/4" | 2 |
| RF50003 |  L-Bracket | 2 |

STACKABLE OPTION

CAUTION, highly recommended that with two people perform the lifting.



Gently lift the second bookcase and place it on top of the first as per **Diag.5.**

The ball like tip should securely fit into each hole at the bottom of the bookcase.

Use 1-2 L-brackets (RF50003) and screws F6 x 5/8" (RF10004) to attach two side panels thru the studs into the wall, using screws F6 x 1 1/4" (RF10002) as per **Diag. 5.**