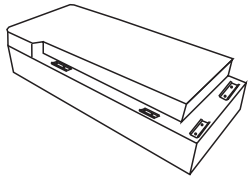


ASSEMBLY INSTRUCTIONS

Parts and Hardware

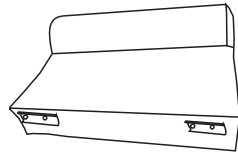
Please check to make sure you have all parts before starting assembly process.
(Attention: The legs & hardware can be found in the small box.)

Ⓐ



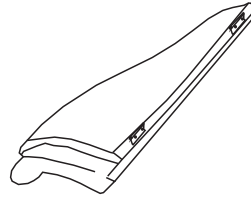
A * 1

Ⓑ



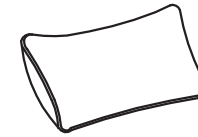
B * 1

Ⓒ



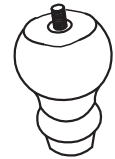
C * 1

Ⓓ



D * 1

Ⓔ



E * 4

①



① * 2

②



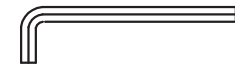
② * 2

③



③ * 4

④



④ * 1

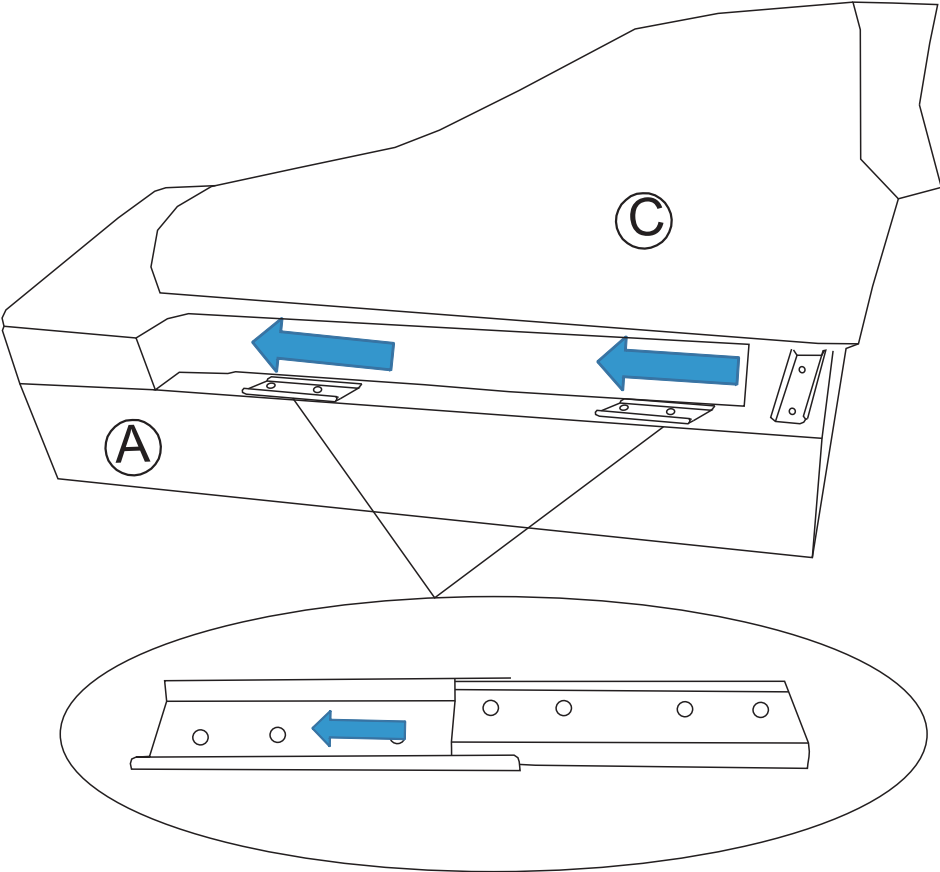
M6

ASSEMBLY INSTRUCTIONS

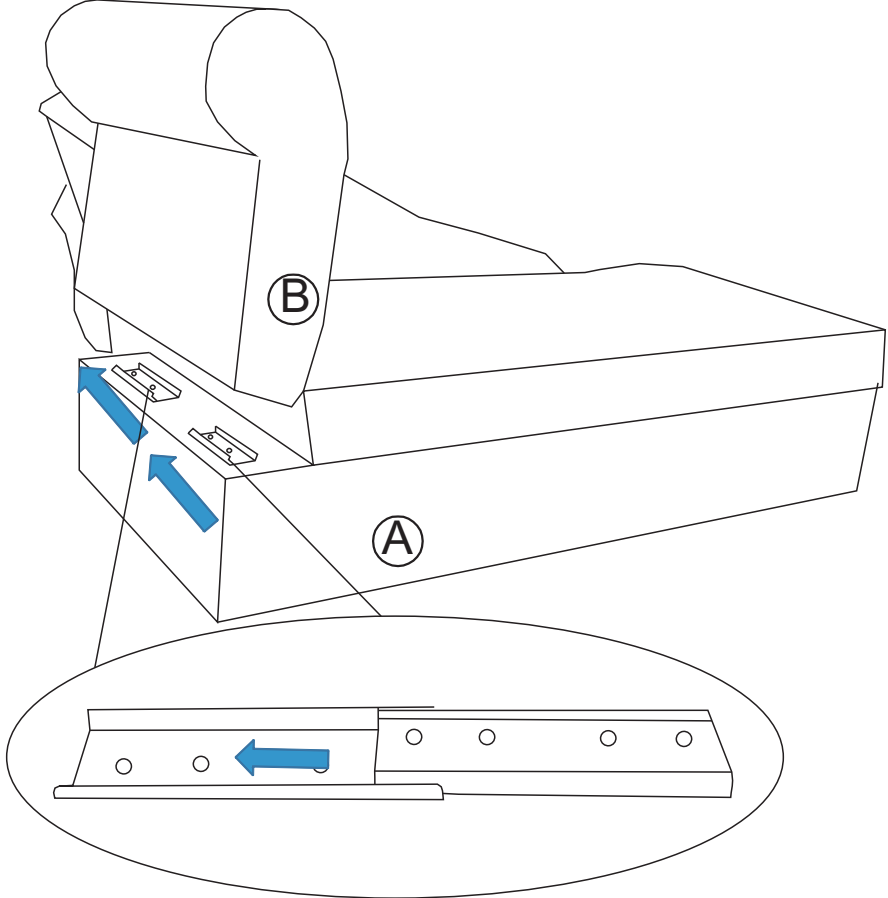
Assembly Instructions

Please read and understand all assembly instructions before beginning assembly process.
(Attention: The legs & hardware can be found in the small box.)

STEP 1:



STEP 2:

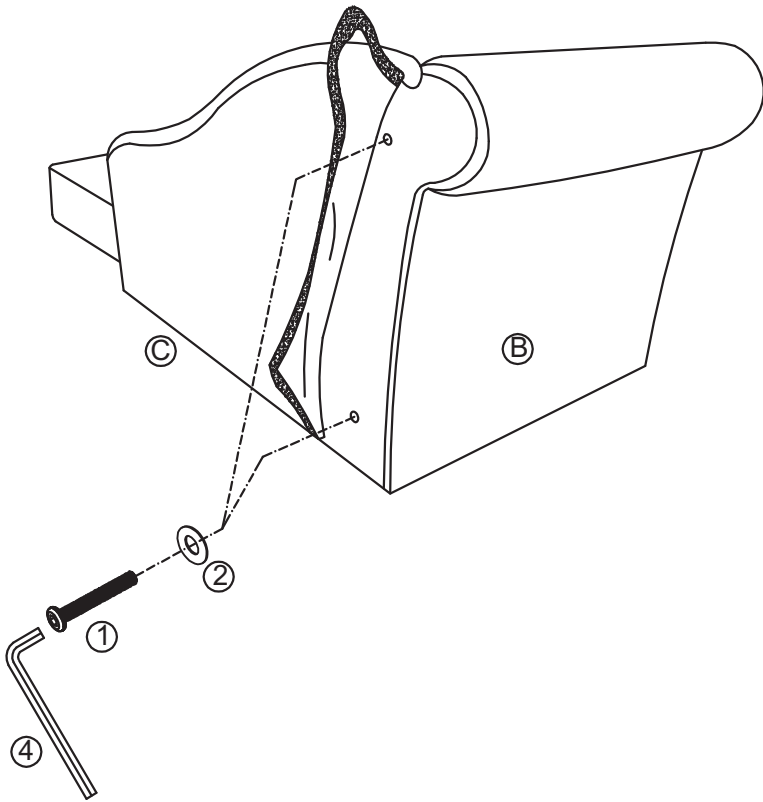


ASSEMBLY INSTRUCTIONS

Assembly Instructions

Please read and understand all assembly instructions before beginning assembly process.
(Attention: The legs & hardware can be found in the small box.)

STEP 3:



STEP 4:

