

# VEVOR

**Affordable. Reliable. Home Improvement.**

## SHOWER DOOR

MODEL: CNH-ET-WALK IN-A MB



Installation video

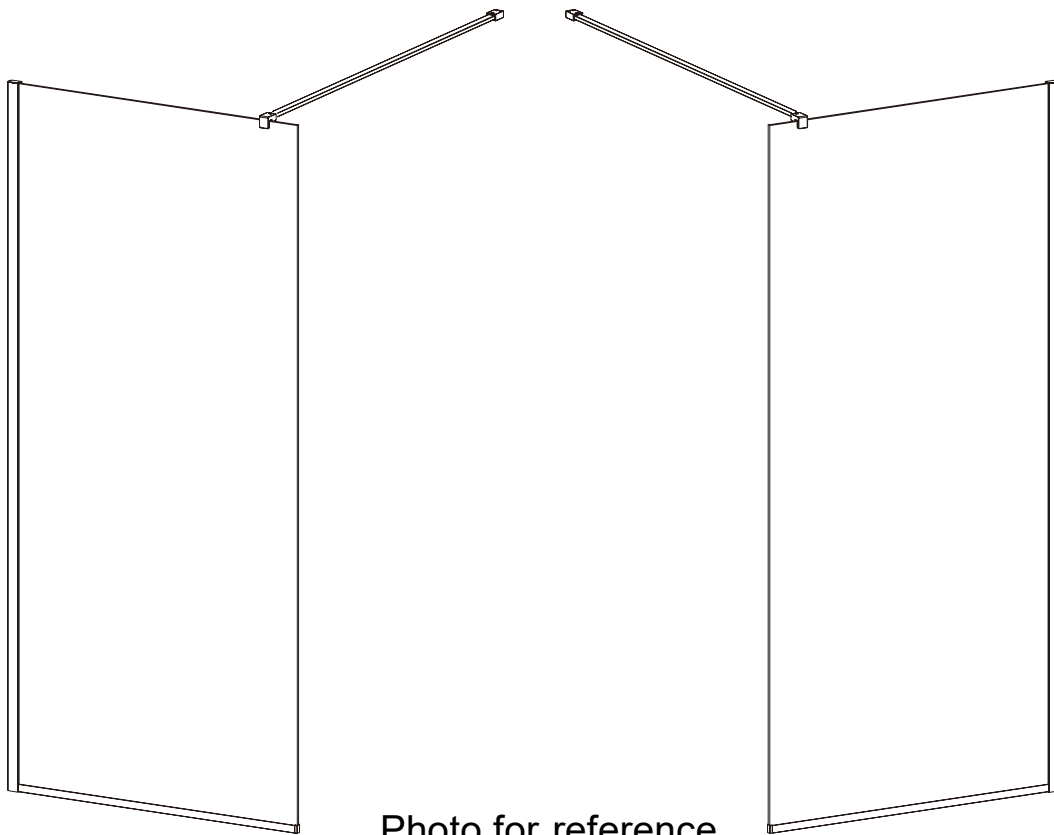
**VEVOR Support Center**



CNH-ET-WALK IN-A MB



**MODEL: CNH-ET-WALK IN-A MB**



This is the original instruction, please read all manual instructions carefully before operating. VEVOR reserves a clear interpretation of our user manual. The appearance of the product shall be subject to the product you received. Please forgive us that we won't inform you again if there are any technology or software updates on our product.

# SAFETY INSTRUCTION AND PRECAUTIONS



Please read this user manual carefully!

## Assembly precautions

1. Carefully check the box for any damages. If damaged, please take a photo for your record and contact our service team for help.
2. It is dangerous if not installed correctly. Fasten all screws, nuts before using it.
3. Please assemble according to these instructions. Improper assembly can create hazards.
4. Wear ANSI-approved safety goggles and heavy-duty work gloves during assembly.
5. Keep the assembly area clean and well-lit.
6. Please do not discard the box until after you have finished assembling the shower door.
7. Do not assemble when tired or when under the influence of alcohol, drugs or medication.
8. Do not alter this product in any manner.
9. The box contains some small components; please place them properly before installation to keep them away from kids and ensure safety.

## Installation instructions

### 1. Dimensional measurement

Before installing the bathroom door, it is necessary to first measure the size of the door correctly. Firstly, measure the width and height of the door opening to determine the dimensions of the door leaf and frame. It should be noted that bathroom doors require more sealing than regular doors, so there may be some special size requirements. It is important to measure carefully to ensure that the door size meets the requirements.

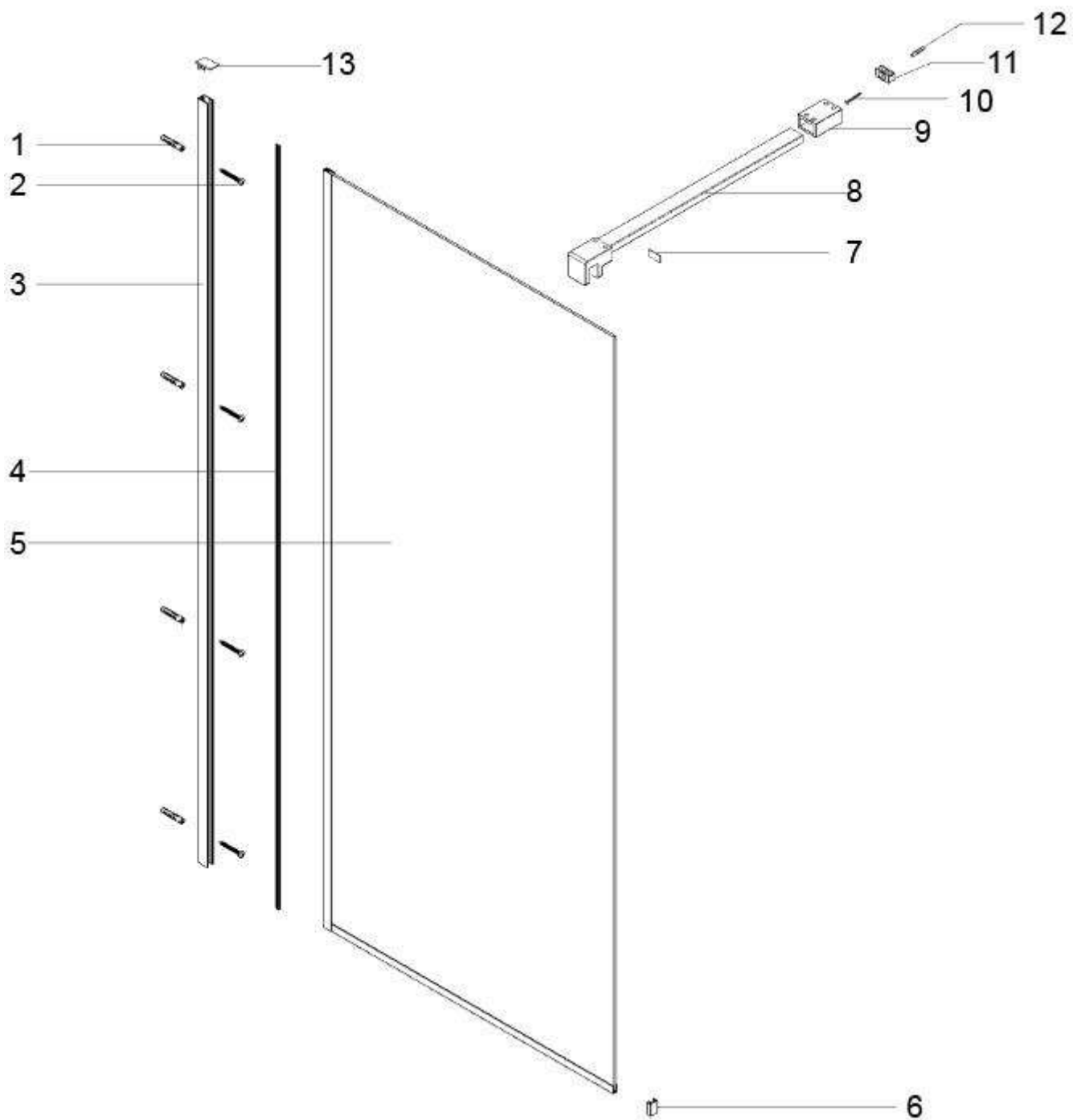
### 2 . Door frame installation

when installing the door frame, attention should be paid to the verticality and levelness of the door frame. The verticality of the door frame can be achieved by installing support blocks and adjusting the horizontal and vertical alignment, while the levelness of the door frame needs to be calibrated on the basis of installing a leveling instrument. In addition, in order to increase the waterproof performance of the door frame, it is necessary to perform sealing treatment at the bottom and side of the door frame, fill the gaps with waterproof adhesive, and install waterproof film on the inside of the door frame.

After installation, you can choose to stick explosion-proof film on the glass door. Even if the glass door breaks, its glass debris will not splash to various parts of the bathroom, not only minimizing the probability of accidental injury, but also facilitating people's cleaning.

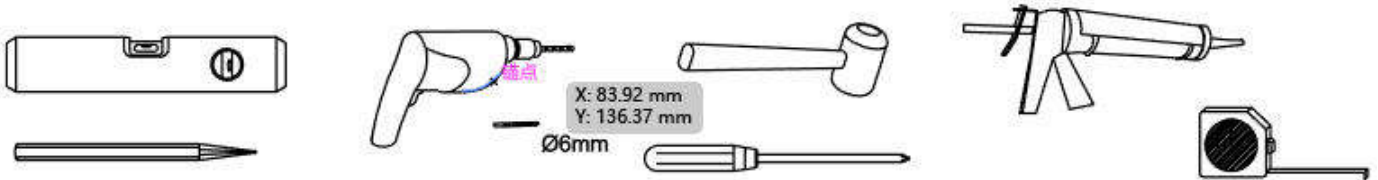
NOTE: We recommend two people to assemble the shower door. It will need to take about half hour, Please check the parts carefully according to the parts list. If you are missing any parts, please contact our customer service department.

### Part List



1	X4	2	X4	3	X1	4	X1	5	X1
			ST4x30						
6	X1	7	X1	8	X1	9	X1	10	X1
									ST4x40
11	X1	12	X1	13	X1	14	X1	15	X1
							2.5MM		

Tools Required:

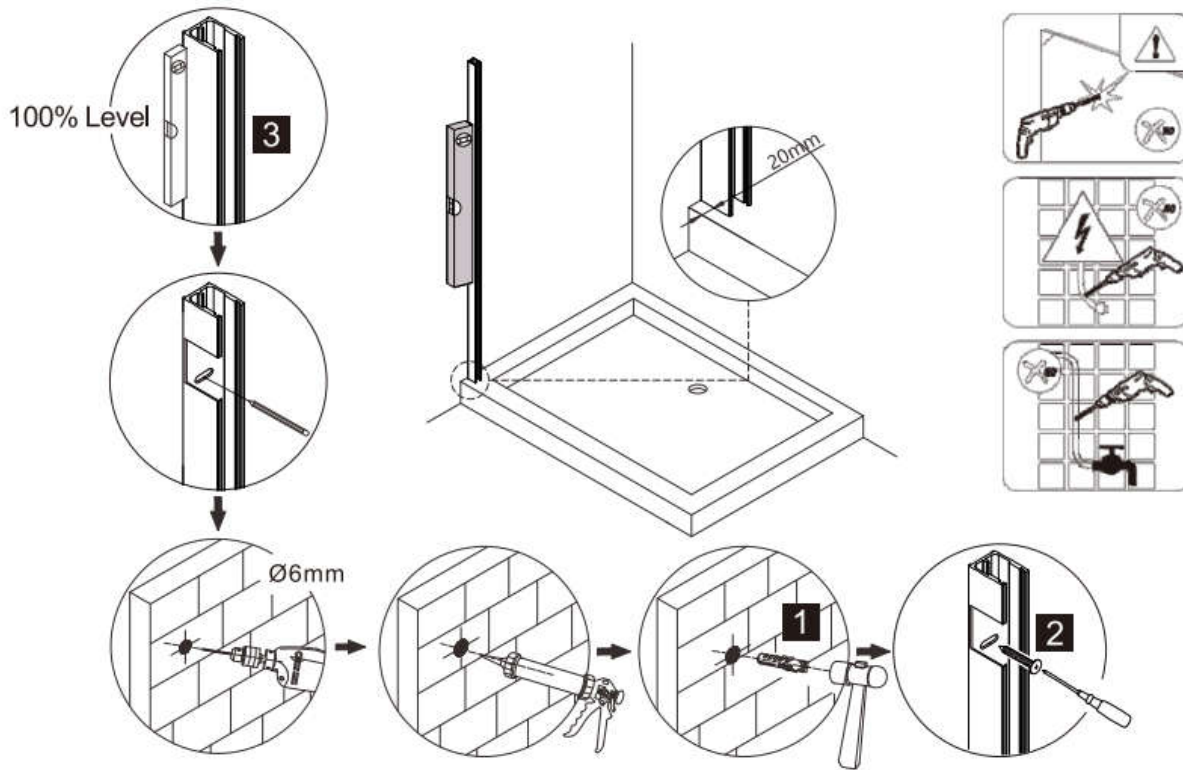


The shower door in the above listed sizes can be installed on the floor or on the shower plate that must be 100% balanced.

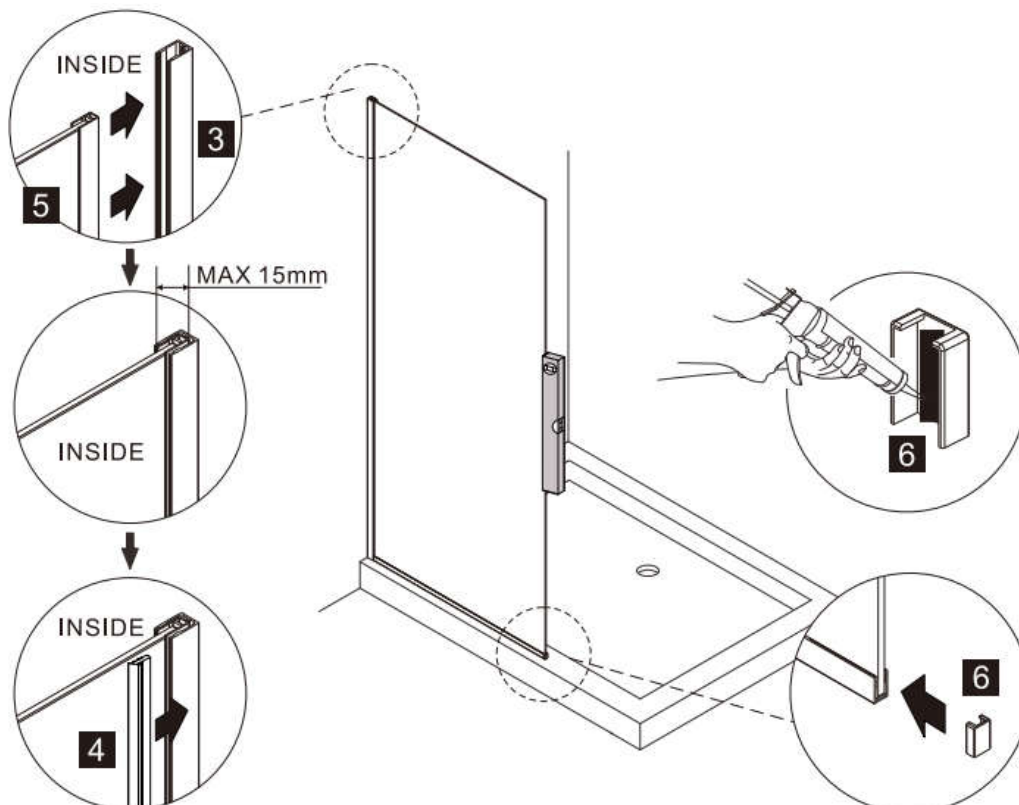
NOTE: We recommend two people to assemble the Shower door. It will need to take about half hour.

## Install Step

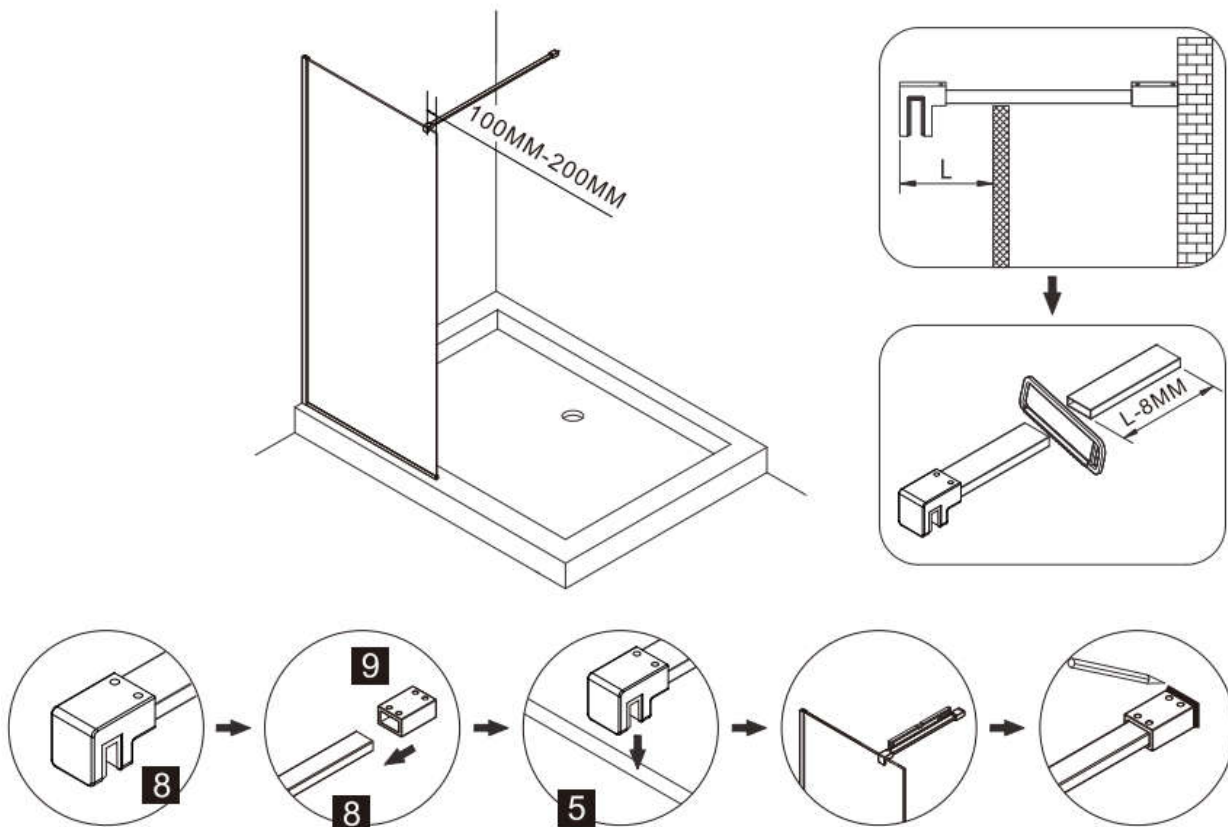
Place the wall profile on the shower tray, 20mm away from the outer edge of the shower tray. Use a level to ensure that the wall profile is perpendicular to the shower tray and mark the location of the 4 holes on the wall. Drill the hole at the marked location with a 6mm drill bit and insert the wall plug into the hole.



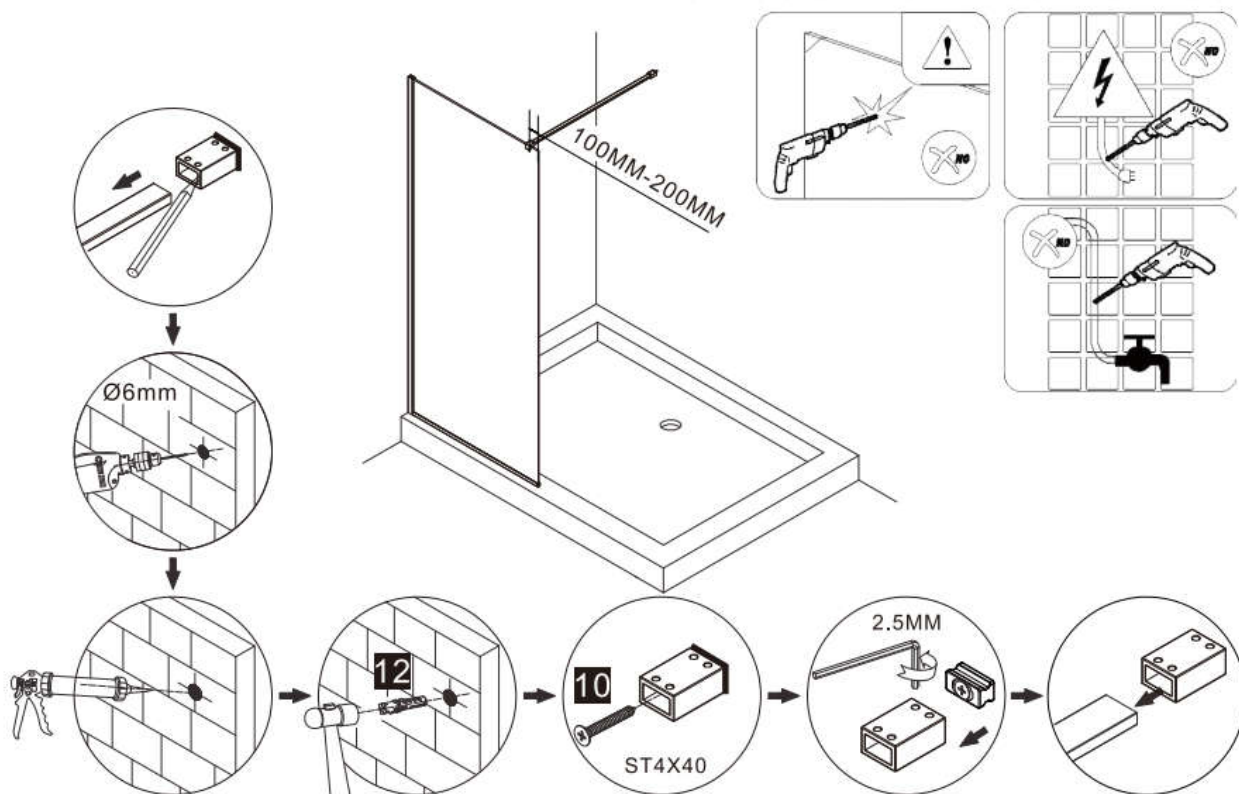
Insert the glass to the wall profile, and fix it with the wedge seal, apply silicon on the end cap and fit it to the the bottom profile edge.



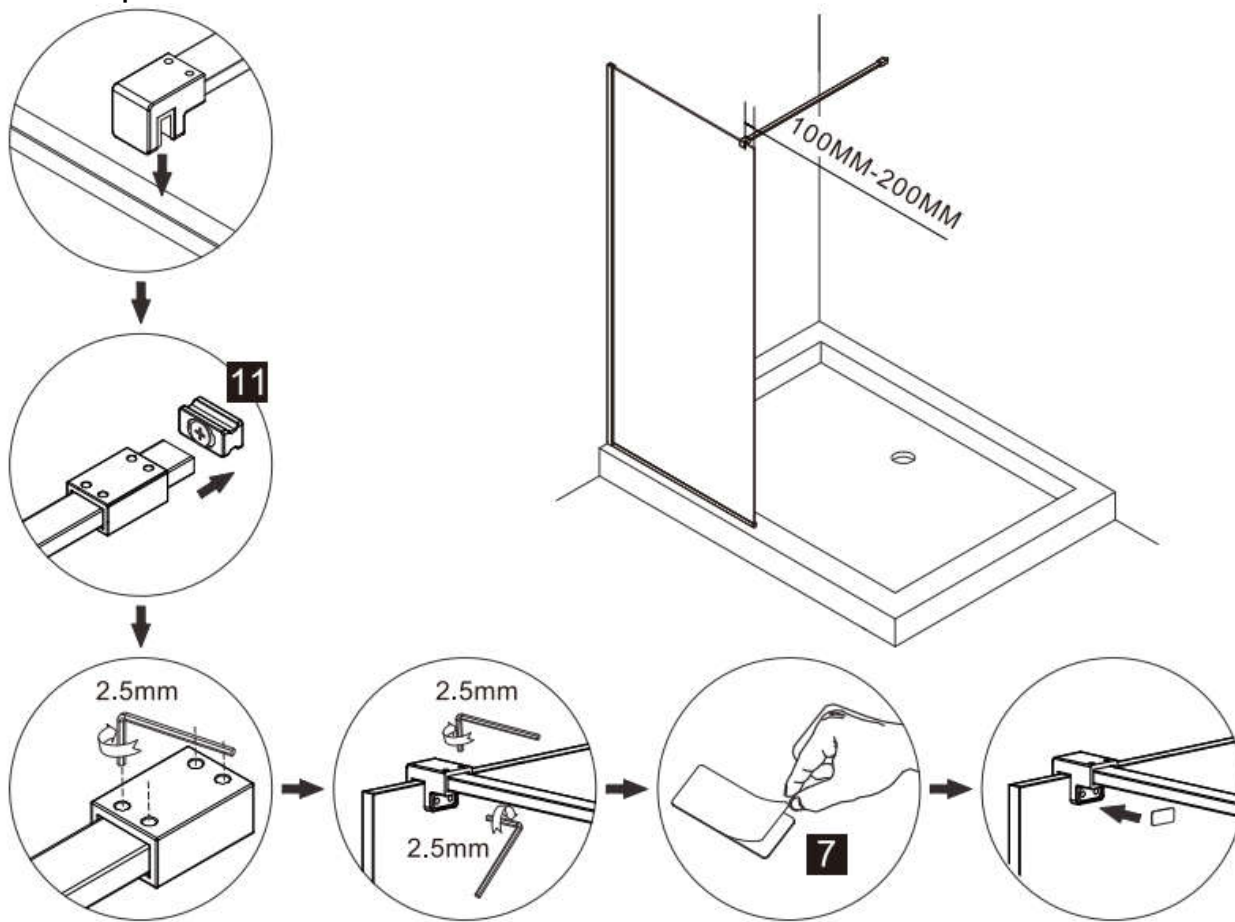
Line up support bar with the wall and the fixed panel. Measure the overhang, remove 8mm from this measurement, and cut the support bar by this value. Replace the support bar, make sure it is level, and trace the outside of the wall bracket onto the wall.



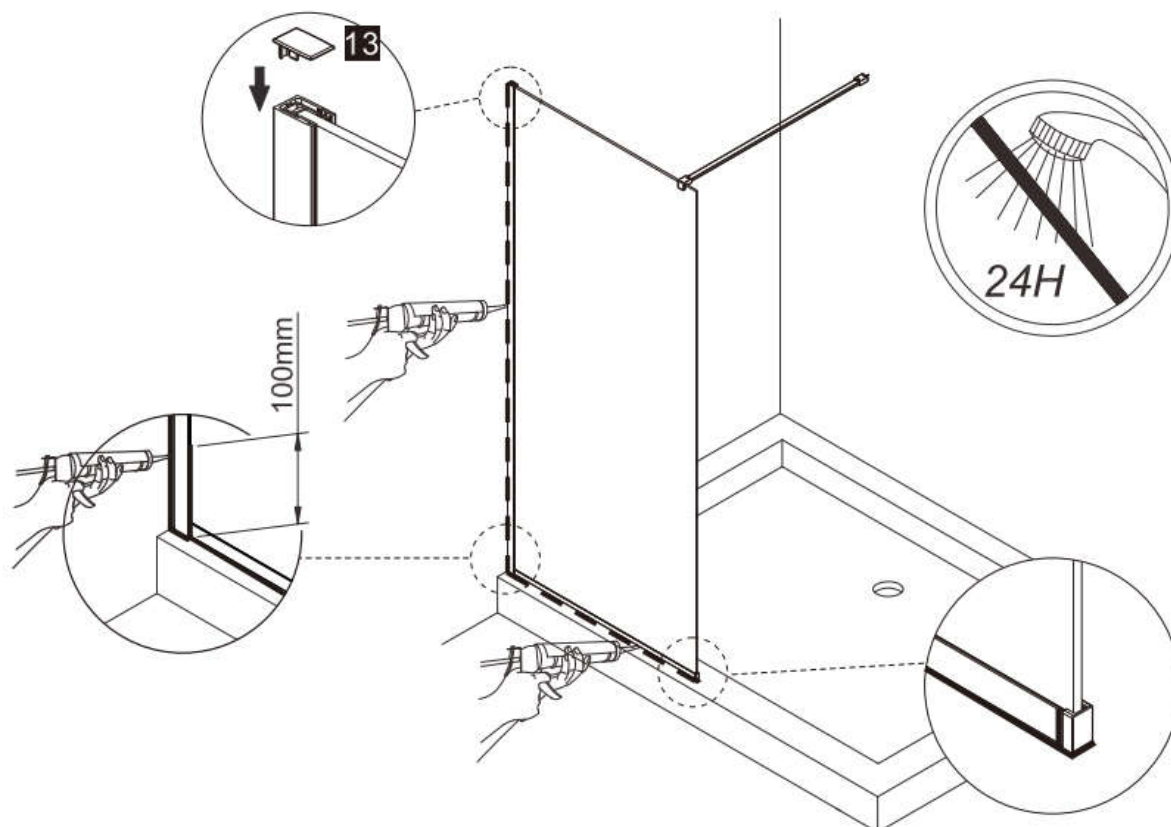
Remove the support bar and mark the holes in the wall bracket. Drill the holes with a  $\phi 6\text{mm}$  bit, put the wall plug into the hole and then fix it the wall bracket with ST4X40 screws. Loose the wall bracket and fit it to the support arm.



Fit the glass clamp to the glass, and push the wall bracket to the bracket sleeve, tight it with spanner. Remove the 3M adhesive from the glass clamp cover and fit it to the glass clamp.



Fit the wall profile cover cap to top of wall profile. Apply silicon outside of shower as drawing showed, DO NOT use within 24 hours.



Manufacturer: Shanghaimuxinmuyeyouxiangongsi

Address: Shuangchenglu 803nong11hao1602A-1609shi, baoshanqu, shanghai 200000 CN.

EC REP: E-CrossStu GmbH.

Mainzer Landstr.69, 60329 Frankfurt am Main.

UK REP: YH CONSULTING LIMITED.

C/O YH Consulting Limited Office 147, Centurion House, London Road, Staines-upon-Thames, Surrey, TW18 4AX

Imported to AUS: SIHAO PTY LTD.

1 ROKEVA STREETEASTWOOD NSW 2122 Australia

Imported to USA: Sanven Technology Ltd.

Suite 250, 9166 Anaheim Place, Rancho Cucamonga, CA 91730



