

Assembly Instruction

Teak Bathroom Stool

Your furniture requires assembly prior to use. It is important that you read the entire assembly instructions to become familiar with the unit before you set up this product.

Safety Warning and Precautions

WARNING: When setting up your furniture, basic precautions should always be followed to reduce risk of personal injury and damage to the product.

Read all instructions before assembly and usage this product.

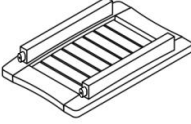
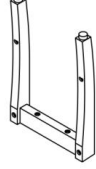
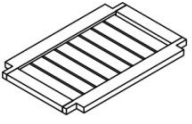


1. Select ideal location. Set out all parts on a clear and level surface prior to assembly. Ideally, the furniture should be set up in the desired location to avoid moving it after assembly.
2. Use caution. During all the processes of assembling, especially when lifting heavy or large parts, pay attention to safety.
3. Tools and Assistance. An adjustable spanner is required for assembly. It is recommended 2 people assist with assembly.
4. Check all parts before assembling, ensure you have all parts detailed in the parts list on Page 2.
5. Refer to assembly diagram. During assembly, refer to the assembly instructions on following pages.
6. Caution. Keep children away from work area during assembly. Do not allow children to handle parts or tools while assembling.



Assembly Instruction

Teak Bathroom Stool

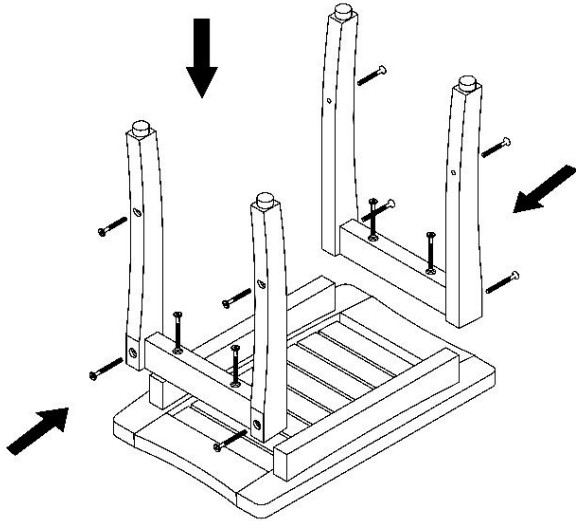
PANEL AND FITTINGS IDENTIFICATION

Part #	A	B	C	D	E	
Description:	Top Panel	Leg	Bottom Panel	Bolt M6x55mm	L Wrench	
Figure:						
Qty:	1	2	1	12	1	8

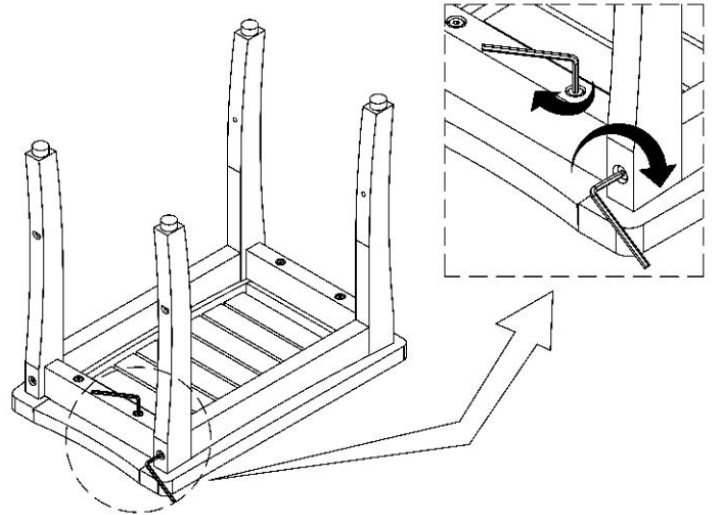
Assembly Instruction

Teak Bathroom Stool

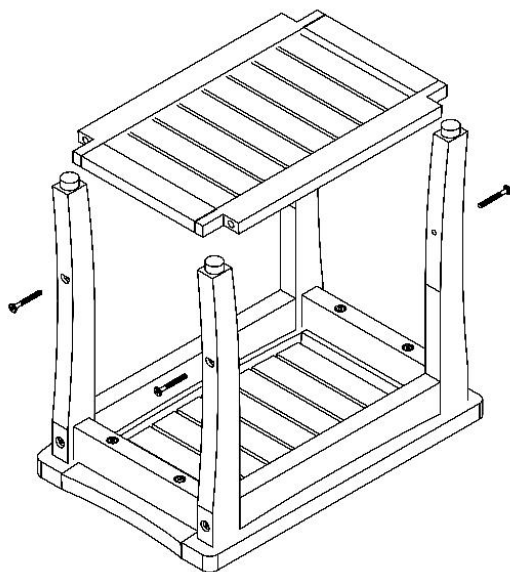
Step 1



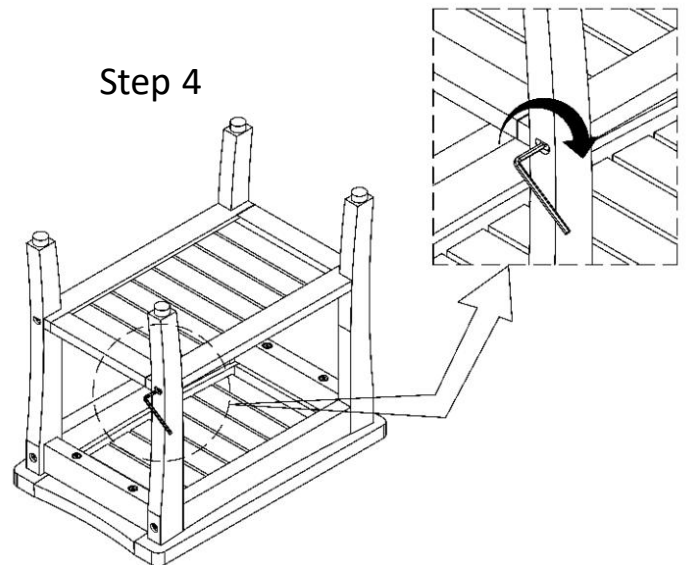
Step 2



Step 3



Step 4



Steps:

1. Attach the Legs (Part B) to the Top Panel (Part A) with Bolts (Part D). Note: Legs are interchangeable. If the leg does not fit on one side, please try to fit on the other side.
2. Tighten the bolts with the L Wrench (Part E).
3. Attach the Bottom Panel (Part C) to the Legs (Part B) with Bolts (Part D).
4. Tighten the bolts with the L Wrench (Part E).

Your chair is ready to use.

Periodically check and make sure that all bolts are fully tightened.