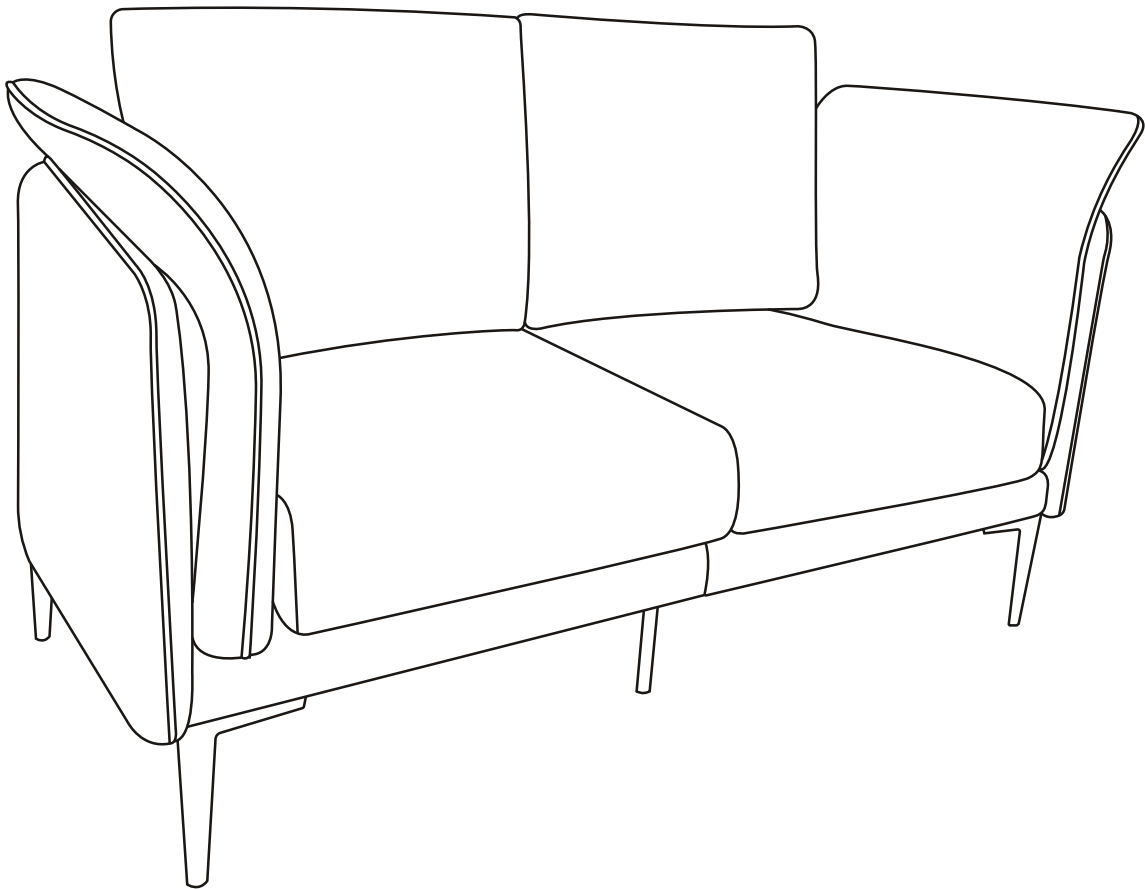


# Owner Manual



---

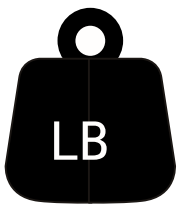
## NOTE:

This brochure contains IMPORTANT safety info. Please read and keep for future reference.

---

## MAINTENANCE AND WARNING


- 1.Keep furniture away from heat sources.
- 2.Do not clean furniture with harsh cleaner or polishes.Do not use detergents,solvents,abrasives,spray packs or leather cleaner. Use non-color mild soa with warm water to clean spills(Mix 1:10 soap to water).
- 3.Do not place furniture under direct sunlight,material will possibly fade over time.
- 4.Do not use on site dry cleaning machine.Children should not climb or jump on the furniture.
- 5.Do not write on furniture that is not protectedby a padded barrier.
- 6.Not for commercial use,only for residential use.

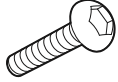



Weight Limitation

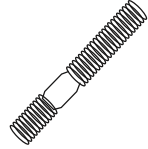
600 LBS 02/08


# PARTS LIST 1

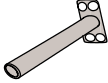
|   |    |
|---|----|
| A1  | X4 |
|  |    |
| Leg   |    |


|   |     |
|---|-----|
| B1  | X16 |
|  |     |
| M8X25 mm  |     |

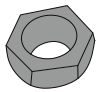
|   |     |
|---|-----|
| B2  | X24 |
|  |     |
| Flat washer   |     |


|   |     |
|---|-----|
| C1  | X10 |
|  |     |
| M8x45mm   |     |

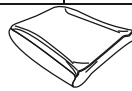
|   |    |
|---|----|
| C2  | X1 |
|  |    |
| Allen key   |    |


|   |    |
|---|----|
| A2  | X2 |
|  |    |
| Leg   |    |


|   |    |
|---|----|
| D1  | X1 |
|  |    |
| M8  |    |


|   |     |
|---|-----|
| D2  | X13 |
|  |     |
| M8 Nut  |     |

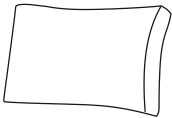
|   |    |
|---|----|
| E   | X2 |
|  |    |
| Armrest pads  |    |

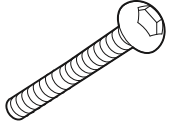
|   |    |
|---|----|
| F1  | X2 |
|  |    |
| Cover   |    |

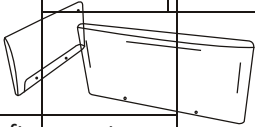
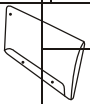
|   |    |
|---|----|
| G1  | X1 |
|  |    |
| Cover(L)  |    |

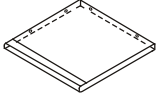
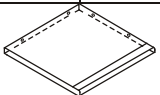
|   |    |
|---|----|
| F2  | X2 |
|  |    |
| Seat Cushion  |    |

|   |    |
|---|----|
| G2  | X1 |
|  |    |
| Cover(R)  |    |

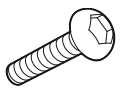
|   |    |
|---|----|
| G3  | X2 |
|  |    |
| Pillow sponge   |    |


|   |    |
|---|----|
| H   | X3 |
|  |    |
| M8X50 mm  |    |

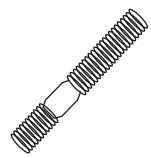
|  |    |    |
|--|----|----|
| K1   | X1 | X2 |
|  |    |    |
| Left armrest   |    |    |
| K2   | X1 |    |
|  |    |    |
| Backrest   |    |    |
| Right armrest  |    |    |

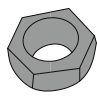
|   |    |
|---|----|
| Q1  | X1 |
|  |    |
| Left seat frame   |    |
| Q2  | X1 |
|  |    |
| Right seat frame  |    |

# SPARE PARTS LIST

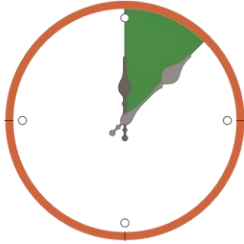
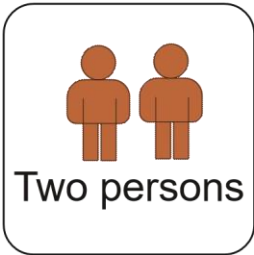
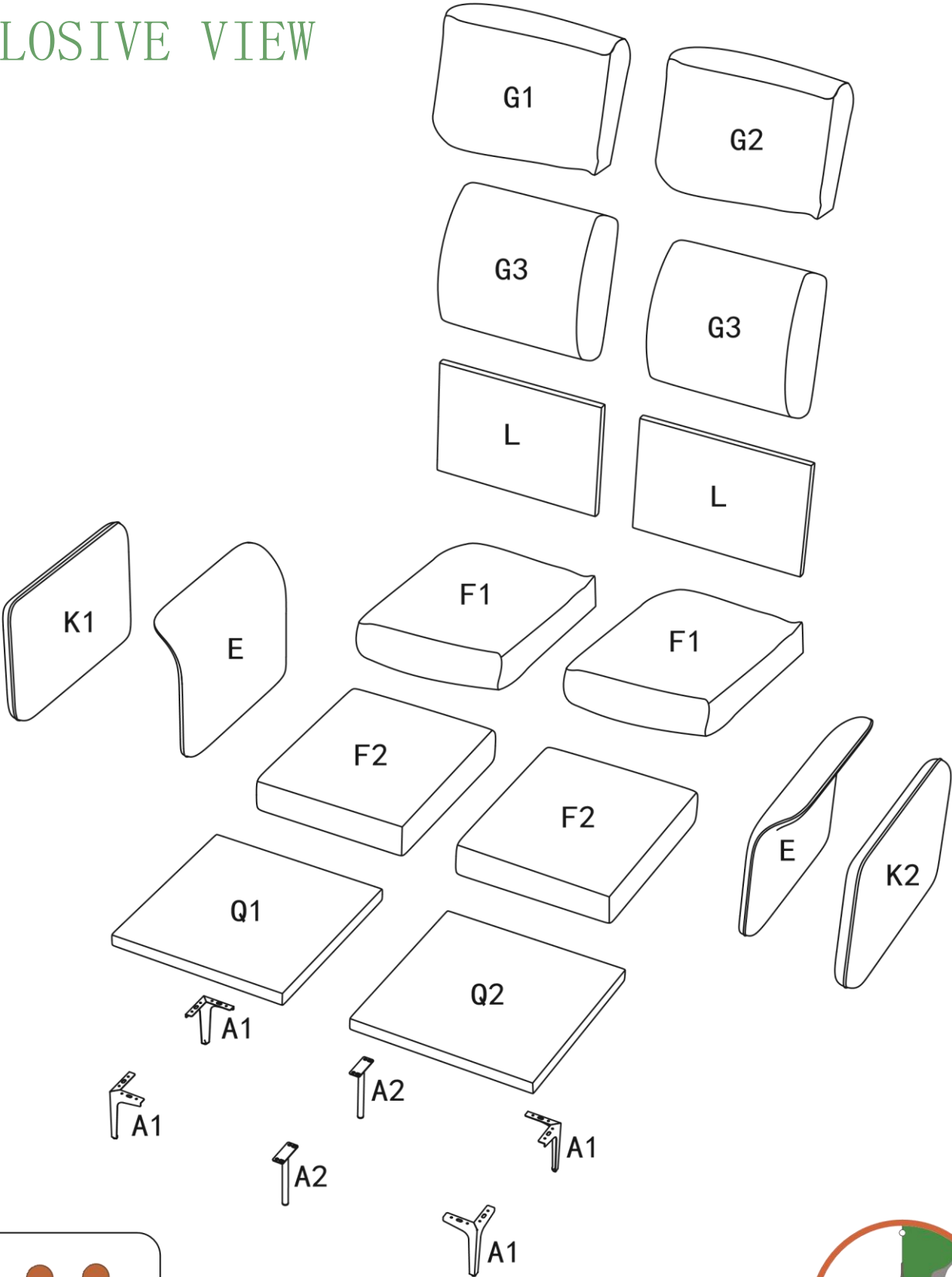
|   |    |
|---|----|
| B1  | X1 |
|  |    |
| M8X25 mm  |    |

|   |    |
|---|----|
| B2  | X2 |
|  |    |
| Flat washer   |    |

|   |    |
|---|----|
| C1  | X1 |
|  |    |
| M8x45mm   |    |

|   |    |
|---|----|
| D2  | X1 |
|  |    |
| M8 Nut  |    |

# EXPLOSIVE VIEW

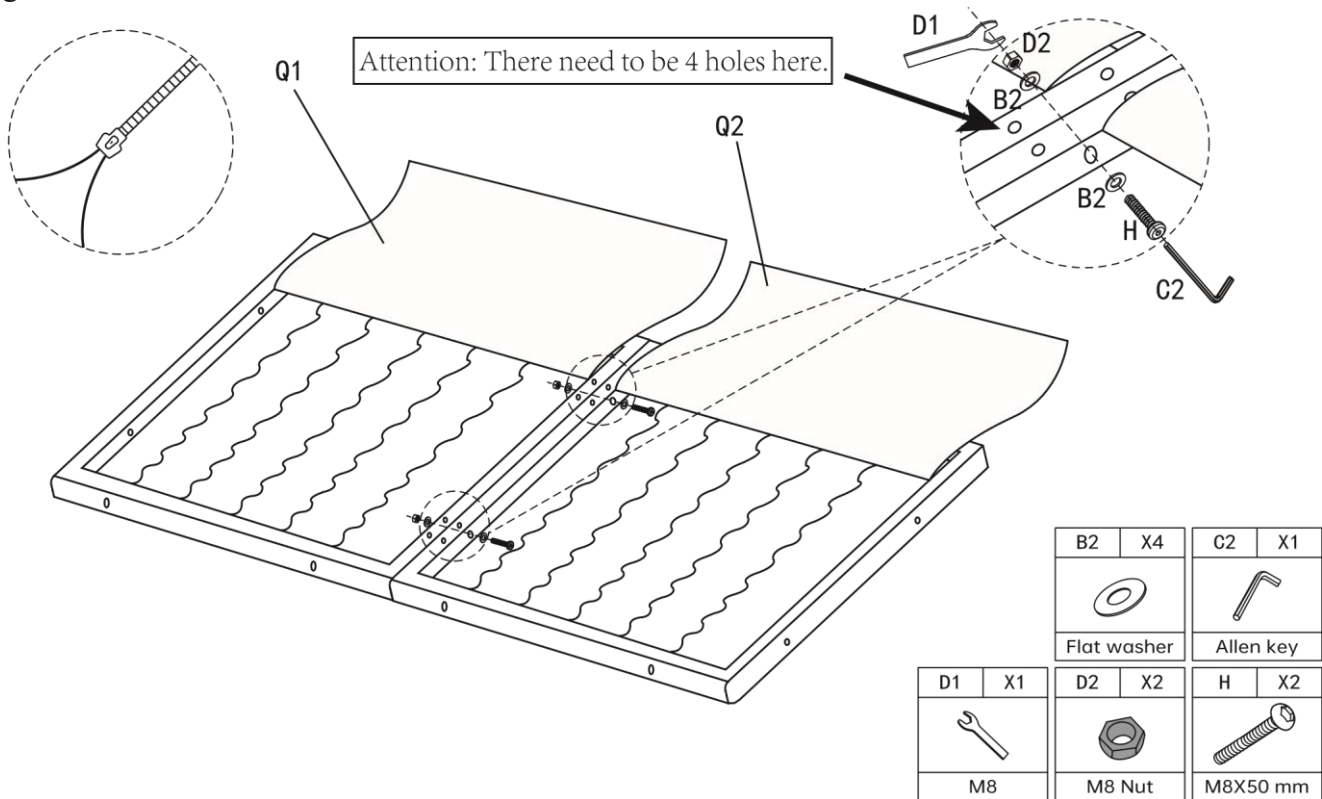


Around 30 min

# ASSEMBLY INSTRUCTIONS

## STEP-1

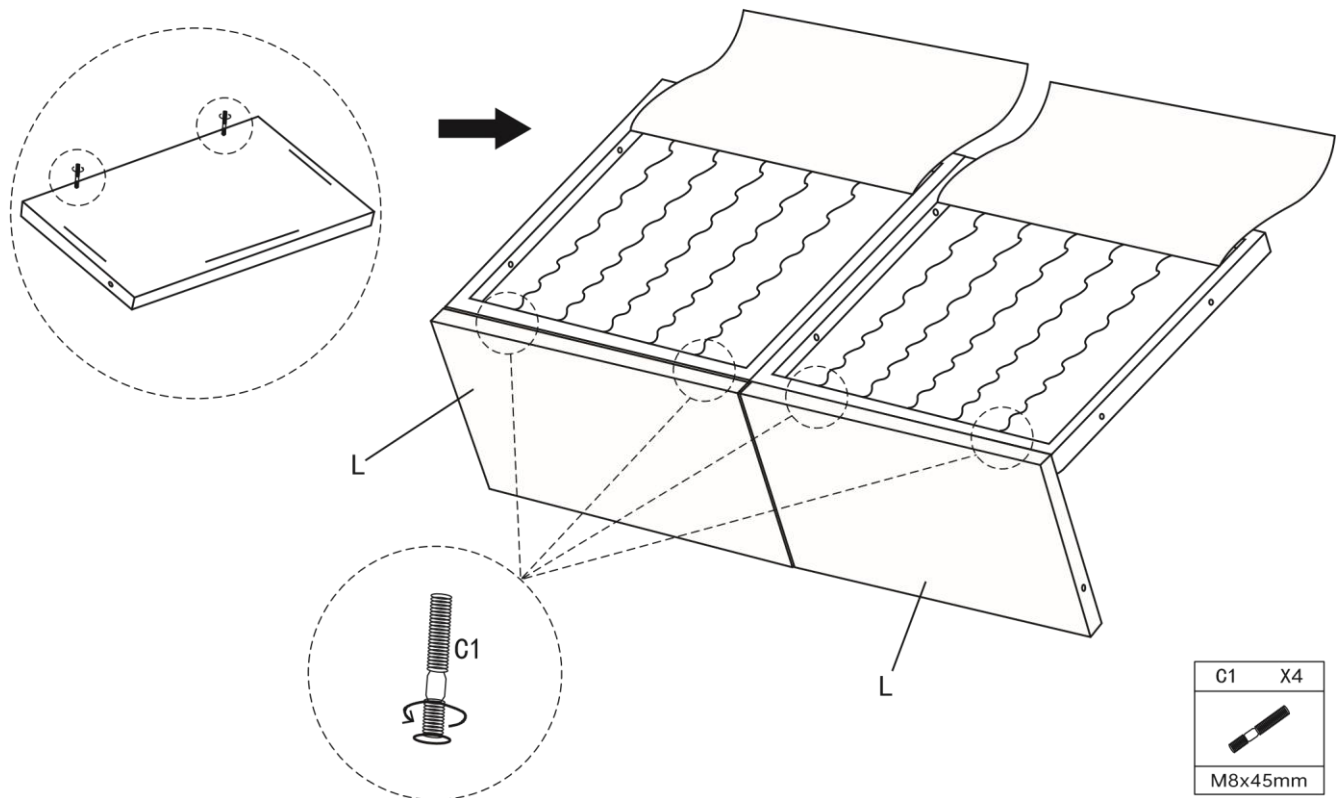
Flip the seat frames Q1 and Q2, open the zipper, insert screw H, washer B2, and nut D2 into the holes, and tighten with wrenches C2 and D1.



## STEP-2

Rotate screw C1 into the threaded hole of backrest L and insert the backrest into the seat frame.

# ASSEMBLY INSTRUCTIONS

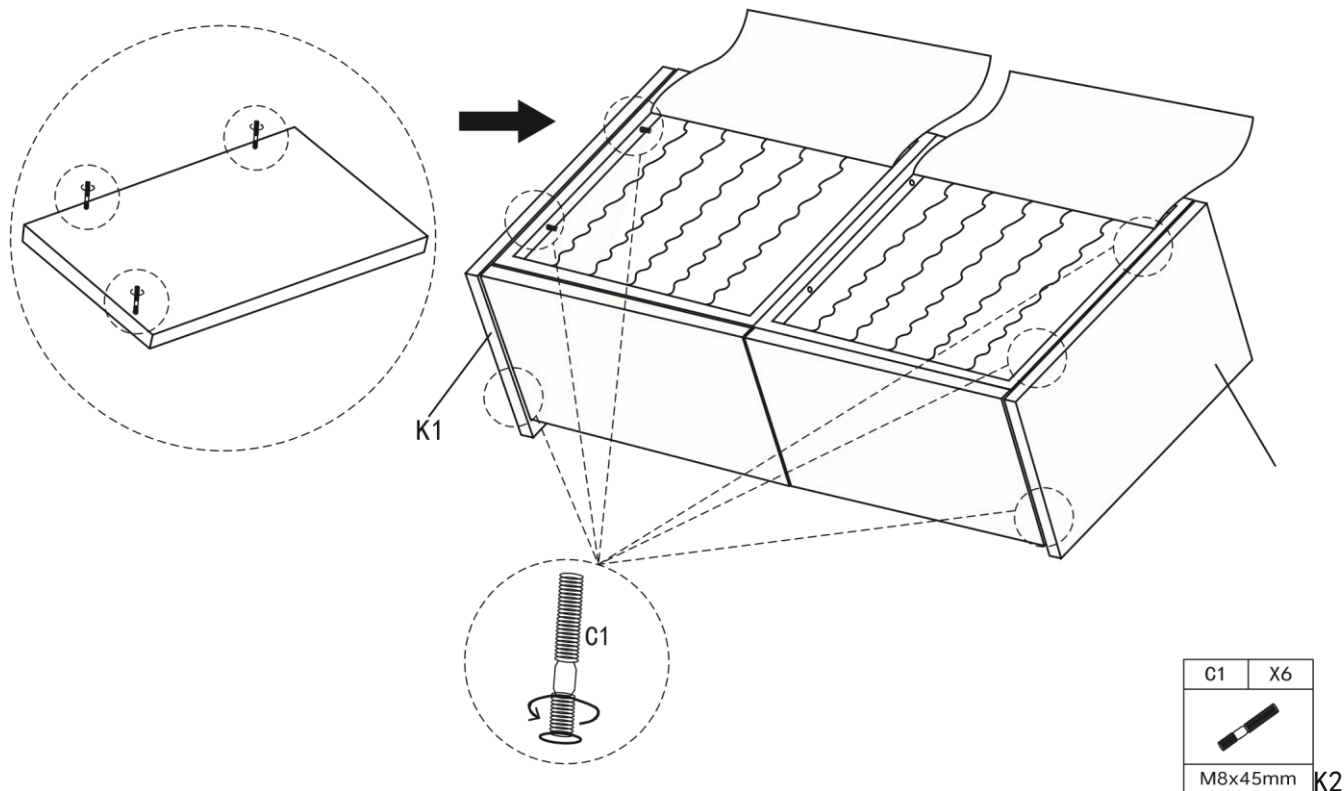


04/08

## STEP-3

Rotate the screw C1 into the threaded holes of the left and right armrests K1 and K2, and insert the armrests into the reserved holes of the seat frame and backrest.

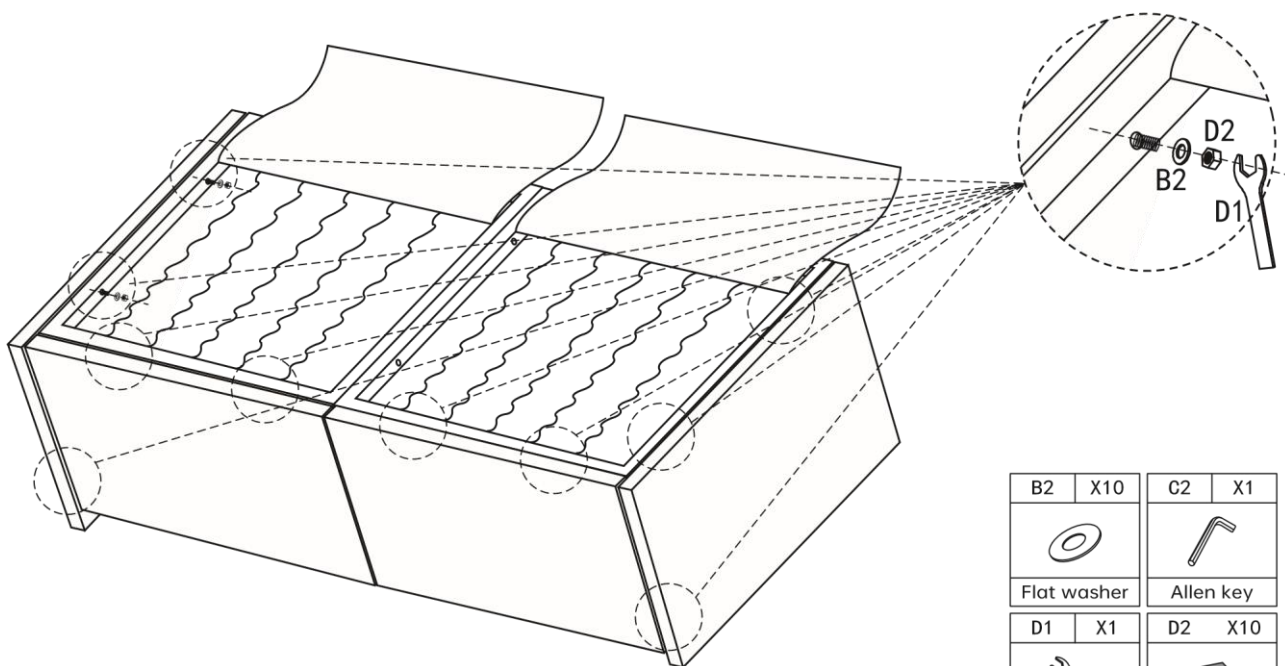
# ASSEMBLY INSTRUCTIONS







## STEP-4

Insert the screws of armrests K1 and K2 and backrest L into the holes of seat frames Q1 and Q2, and tighten them with washers B2, nuts D2, and wrench D1.

# ASSEMBLY INSTRUCTIONS



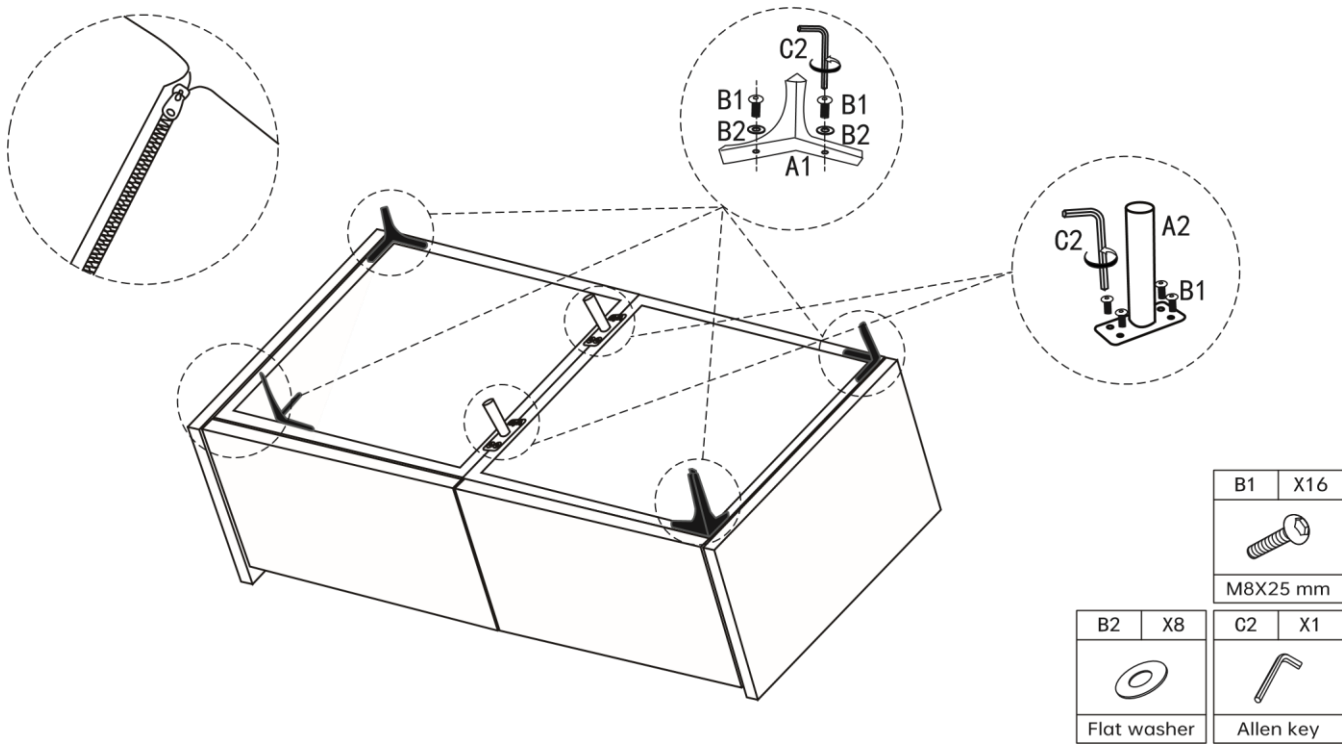
|   |     |   |     |
|---|-----|---|-----|
| B2  | X10 | C2  | X1  |
|  |     |  |     |
| Flat washer   |     | Allen key   |     |
| D1  | X1  | D2  | X10 |
|  |     |  |     |
| M8  |     | M8 Nut  |     |

05/08

## STEP-5

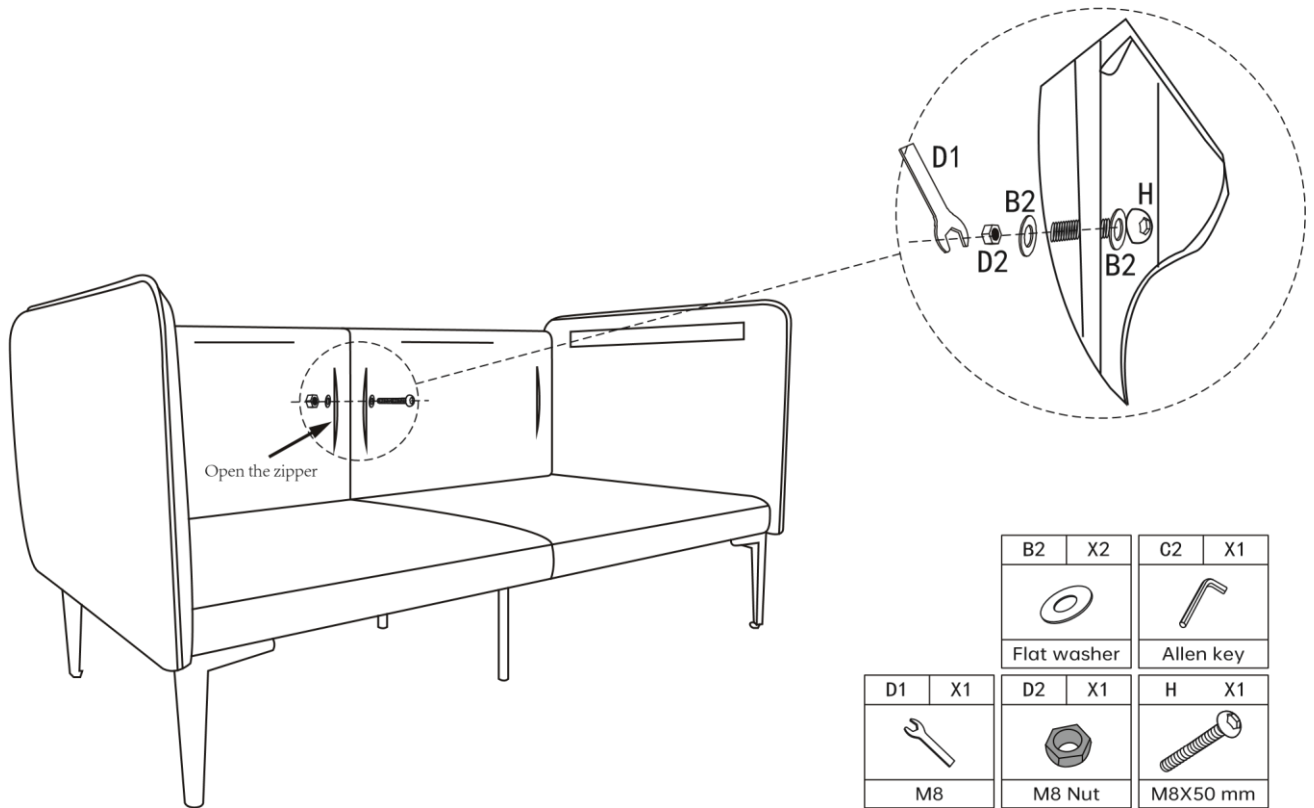
Pull up the bottom zipper of the seat frame, merge screw B1 and washer B2 onto sofa edge foot A1 (middle foot A2 does not require washer B2), install the four sofa edge feet A1 and middle foot A2 onto the left and right seat frames Q1 and Q2, and tighten with hex wrench C2.

# ASSEMBLY INSTRUCTIONS



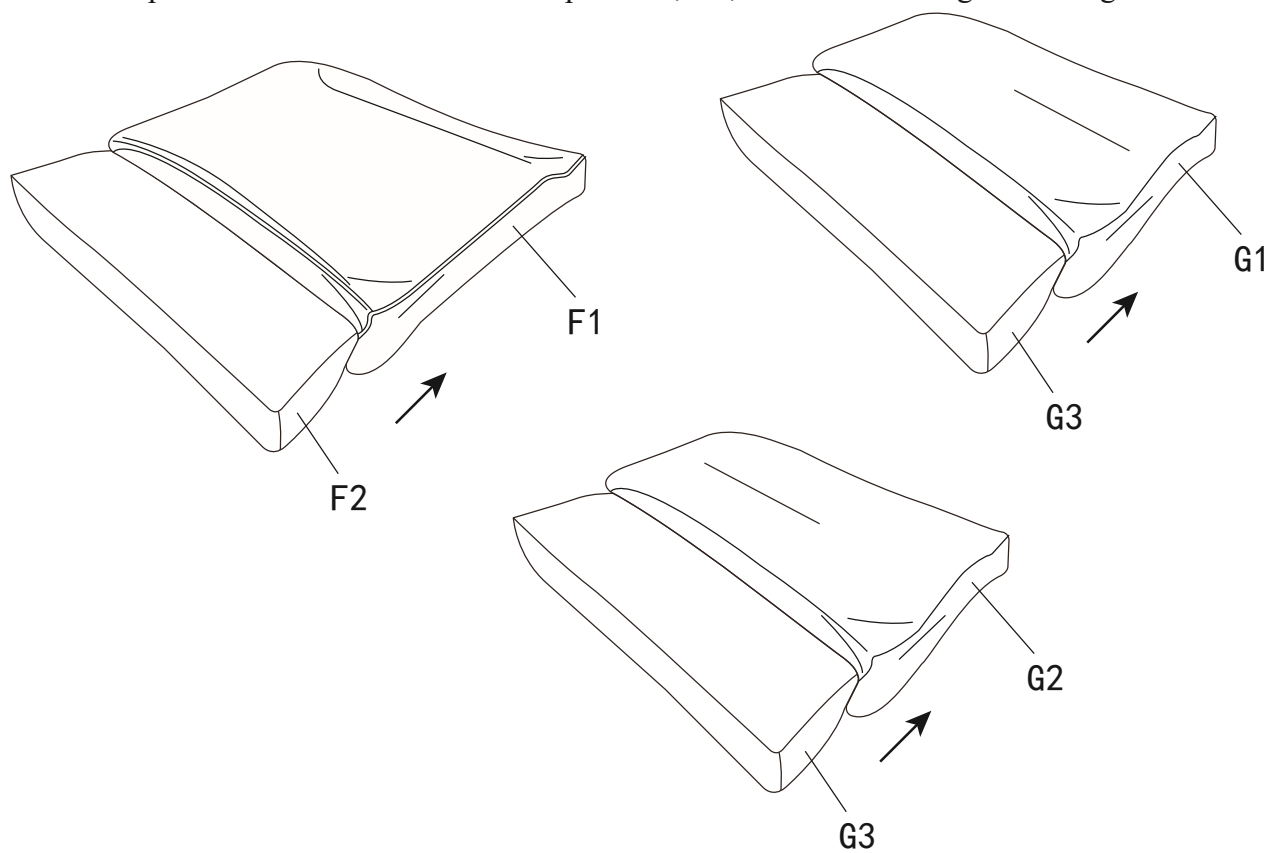
## STEP-6

Flip the sofa over, unzip the left and right back frames, and tighten them with screw H, washer B2, nut D2, and wrench D1.



## STEP-7

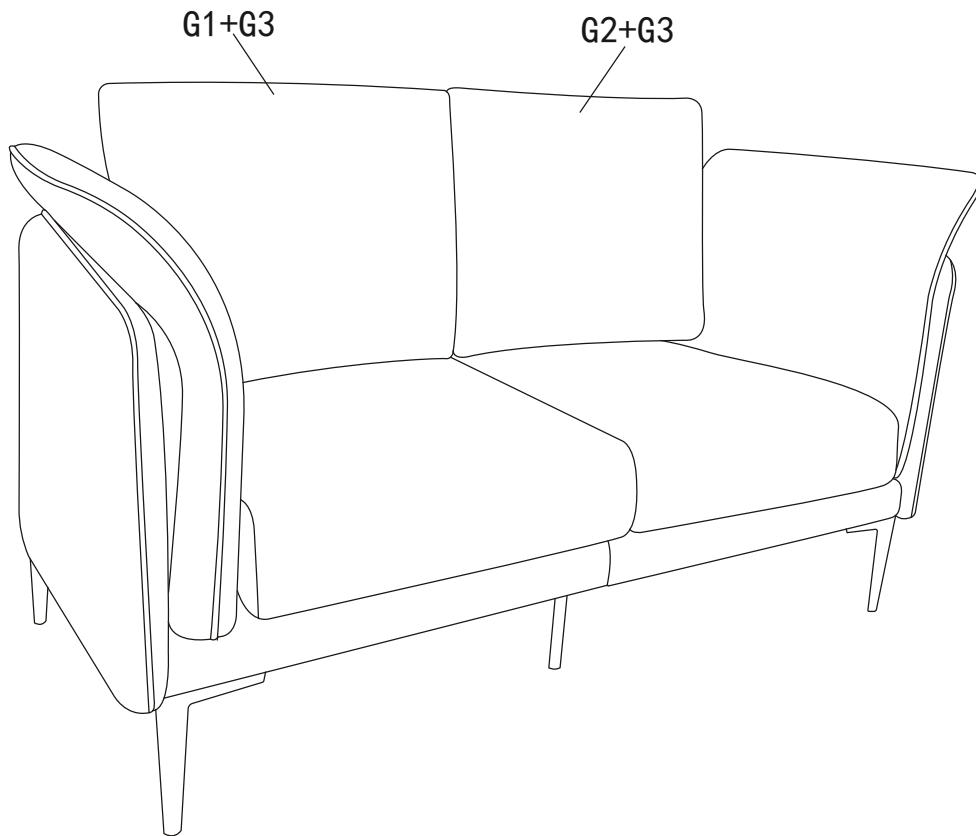
Pack the cushion parts F1 and F2 and the cushion parts G1, G2, and G3 according to the diagram.



## STEP-8

Assembly completed.

# ASSEMBLY INSTRUCTIONS



# WARRANTY

1. We strive to offer high-quality products, and we also try our best to satisfy each and every customer that orders from us with product or service as needed.
2. We provide 30 days warranty starting from the time you receive the item. Each customer must provide a record of their order such as the order number, or item receipt for any items that are out of the warranty period you may also still receive.
3. Replacement parts by purchasing them with our company if they are available.