

# ASSEMBLY INSTRUCTIONS

A-76 PCS



B-76 PCS



Cams

C-10 PCS



Wooden dowels

D-12 PCS



(20mm)

E-6 PCS



(96mm)

F-2 PCS

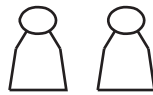


(M3.5x30mm)

G-4 PCS

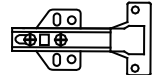


(M3.5x14mm)



2 PERSONS  
ASSEMBLY

M-8 PCS



N-48 PCS



(M3.5x16mm)

P-2 PCS



U-2 PCS

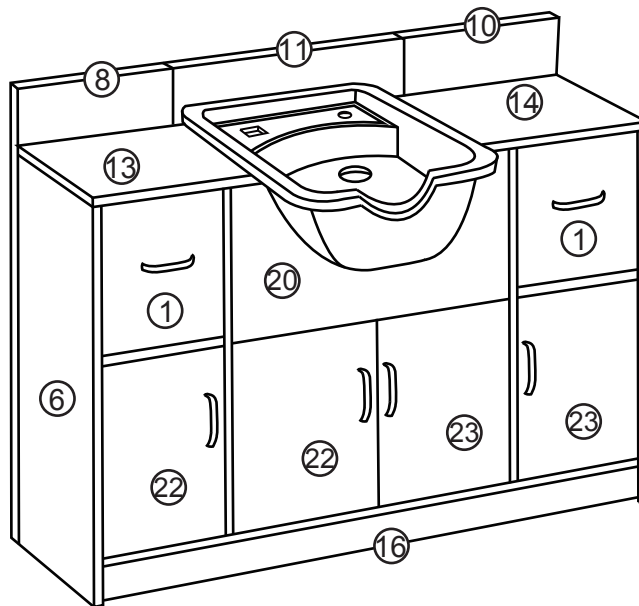


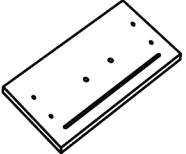
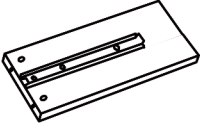
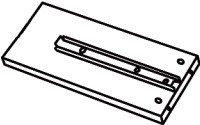
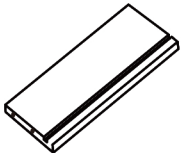
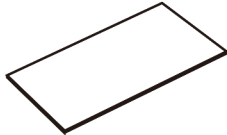
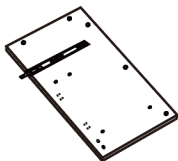
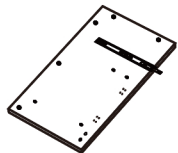
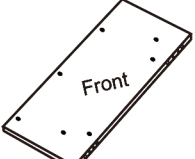
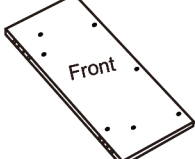
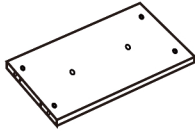
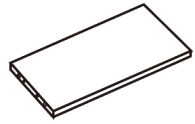
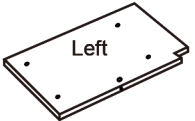
(M6x25mm)

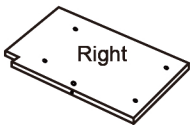
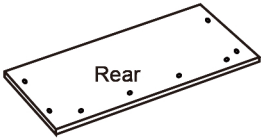


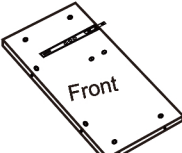
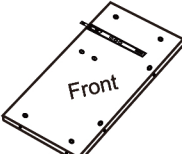


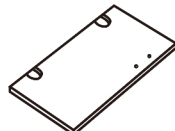
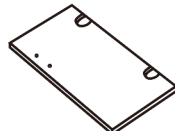

V-12 PCS



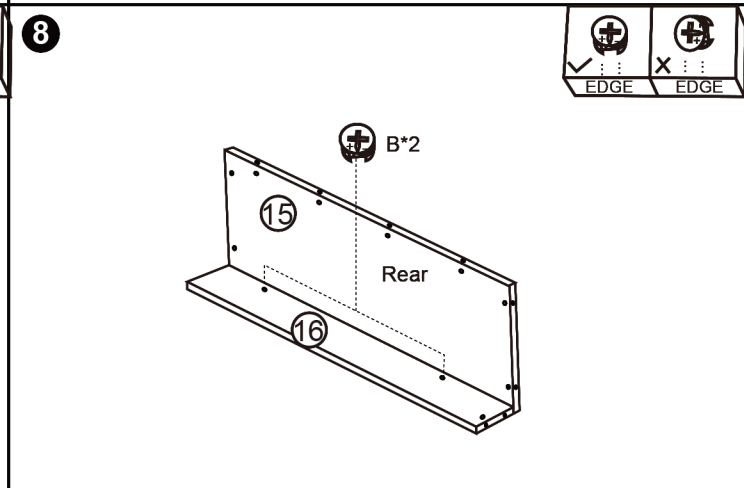
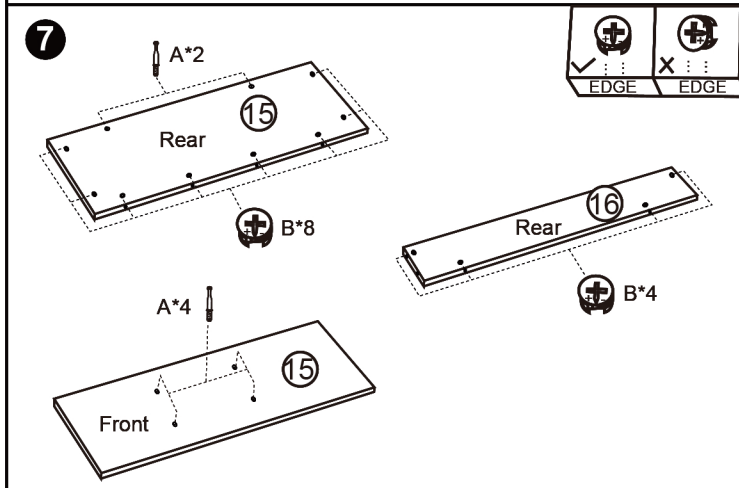
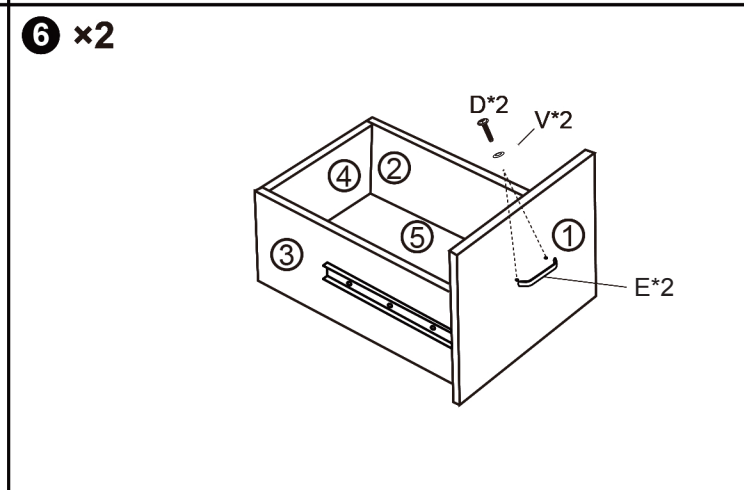
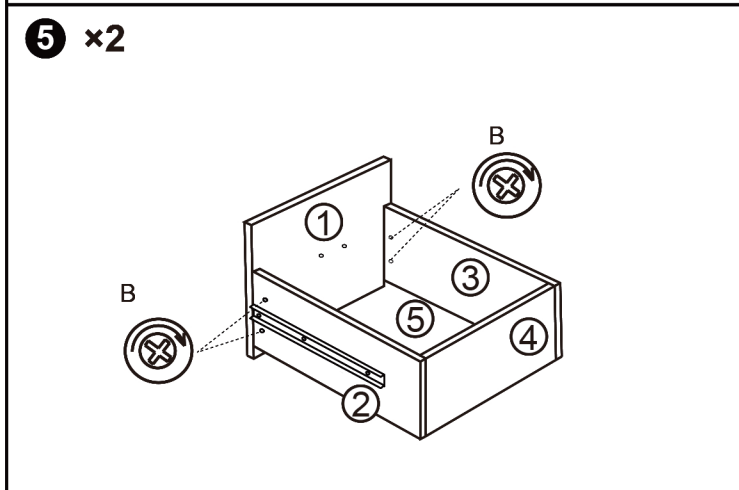
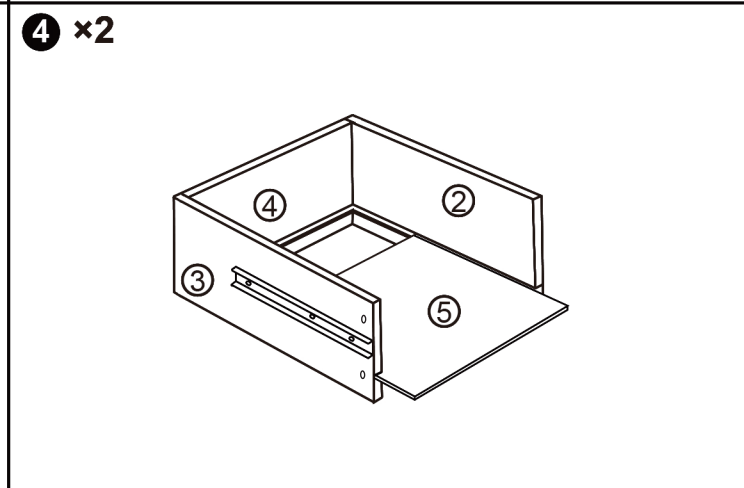
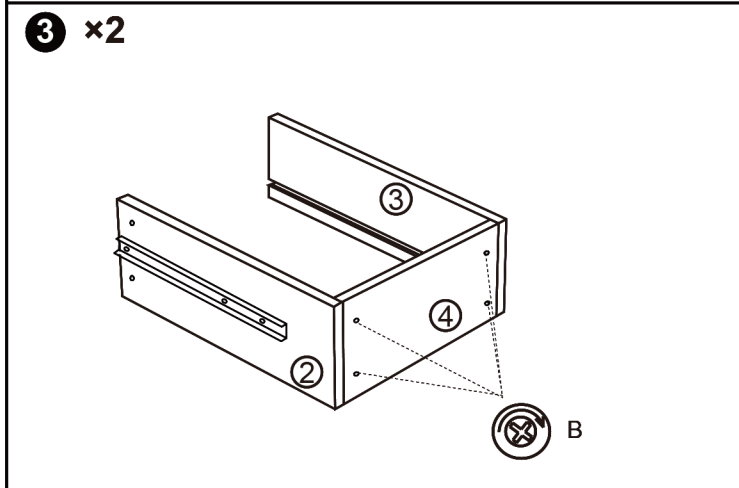
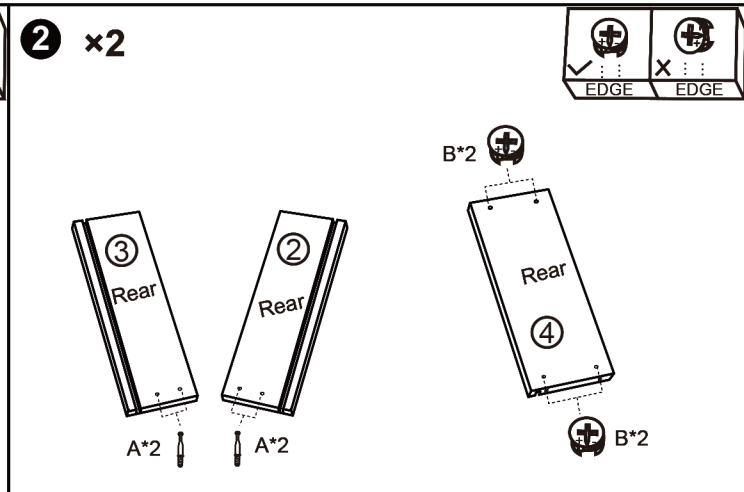
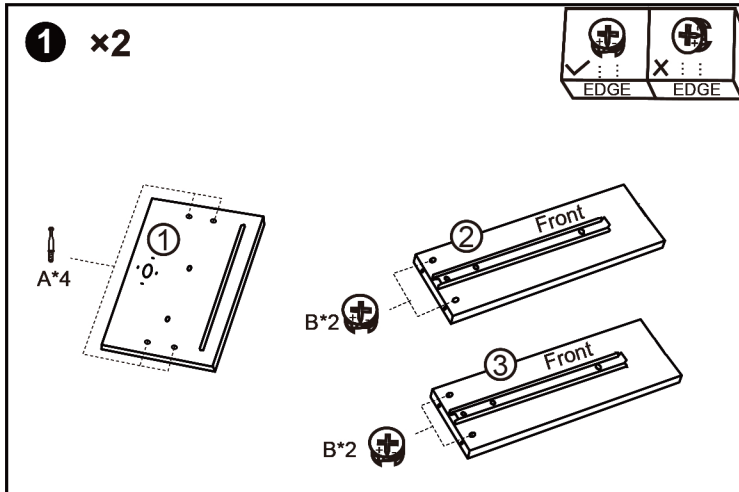
Washer



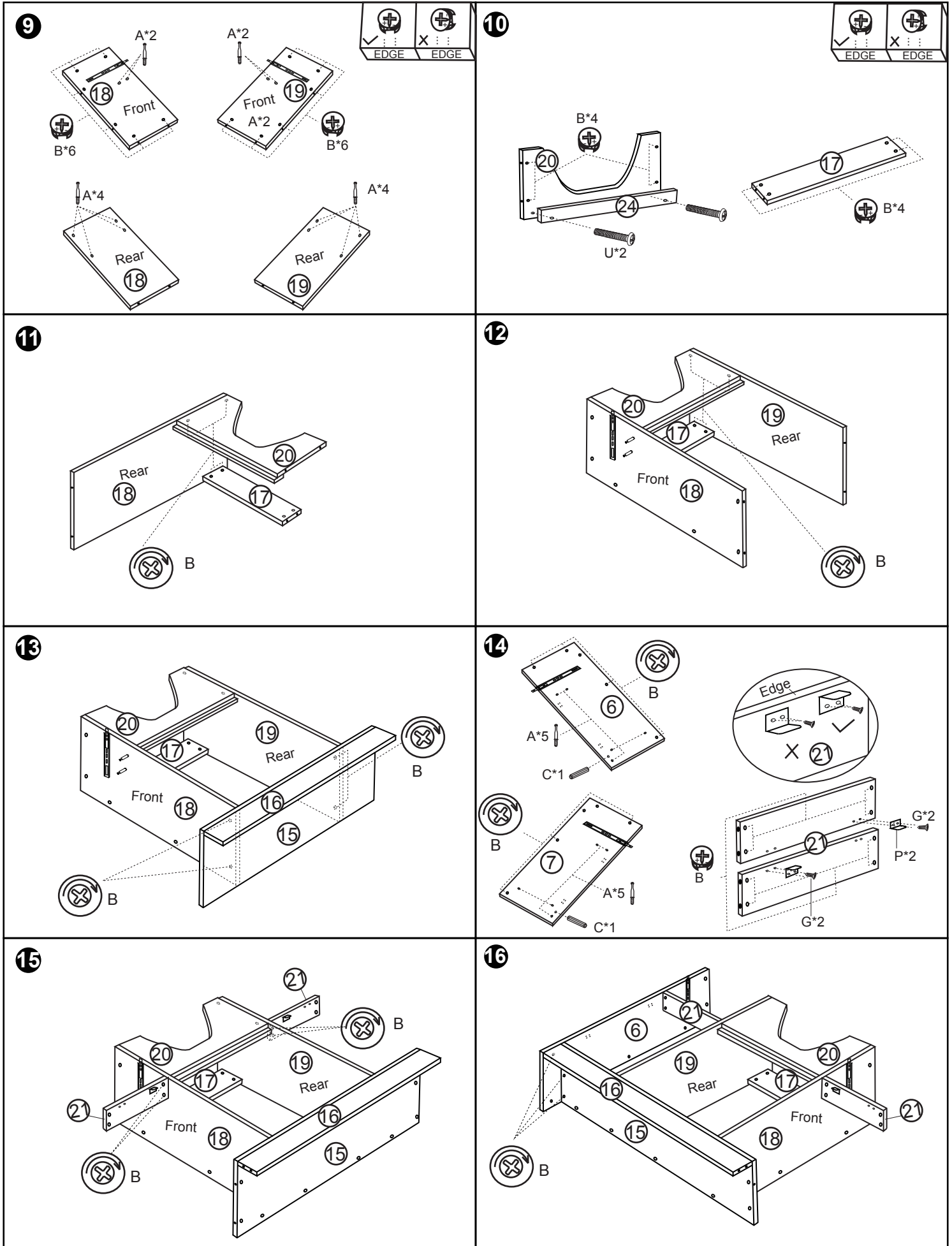
	266*230*16	2	①
	300*140*16	2	②
	300*140*16	2	③
	213*140*16	2	④
	294*223*3	2	⑤
	779*339*16	1	⑥
	779*339*16	1	⑦
	915*335*16	1	⑧
	915*335*16	1	⑩
	481*290*16	1	⑪
	481*250*16	1	⑫
	379*340*16	1	⑬

	379*340*16	1	⑭
	1112*337*16	1	⑮
	1112*80*16	1	⑯
	539*120*16	1	⑰
	683*335*16	1	⑱
	683*335*16	1	⑲
	539*250*16	1	⑳
	270.5*120*16	2	㉑
	427*266*16	2	㉒
	427*266*16	2	㉓
	539*50*16	1	㉔

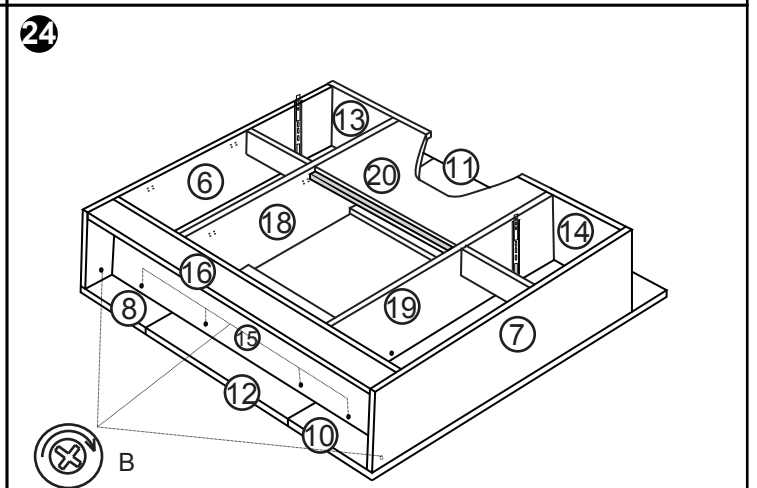
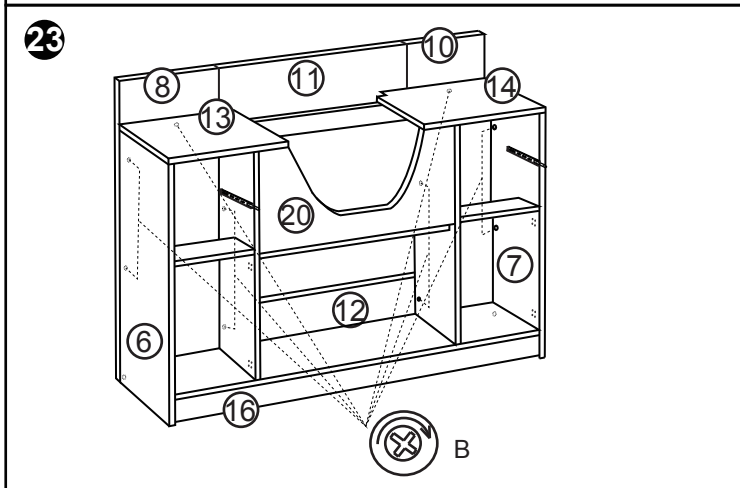
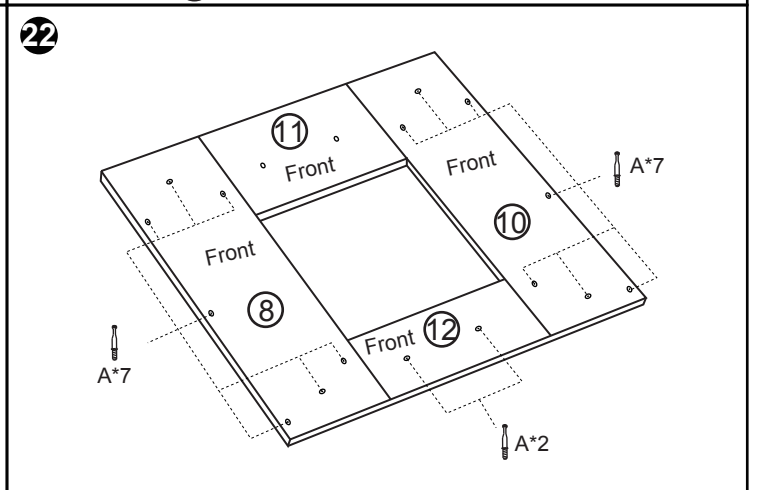
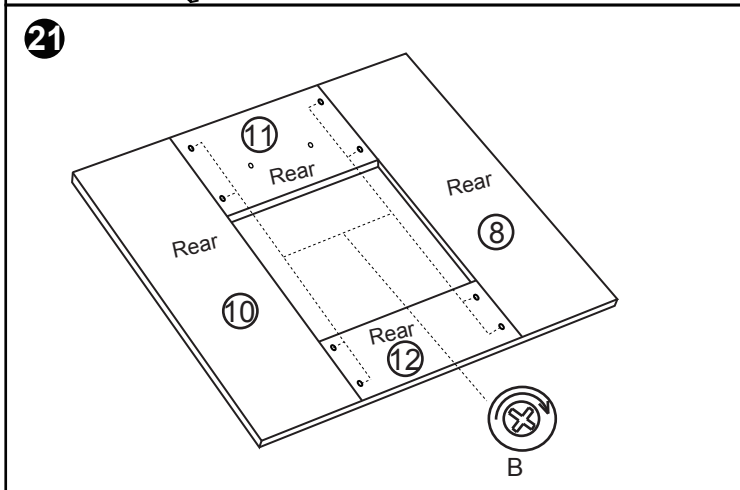
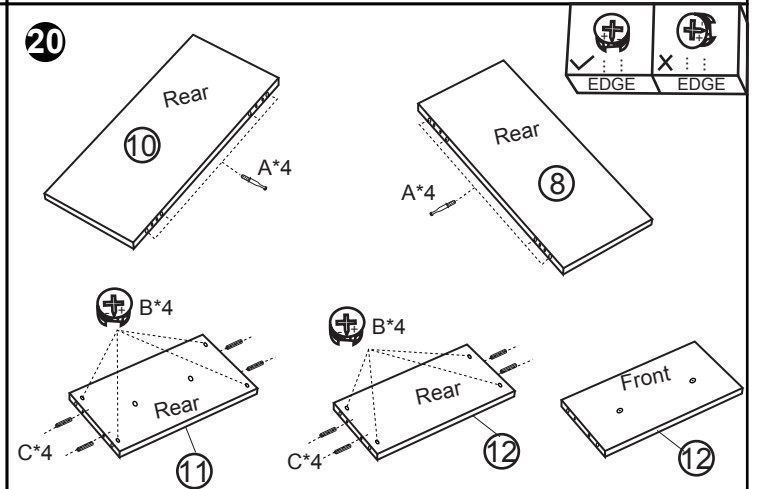
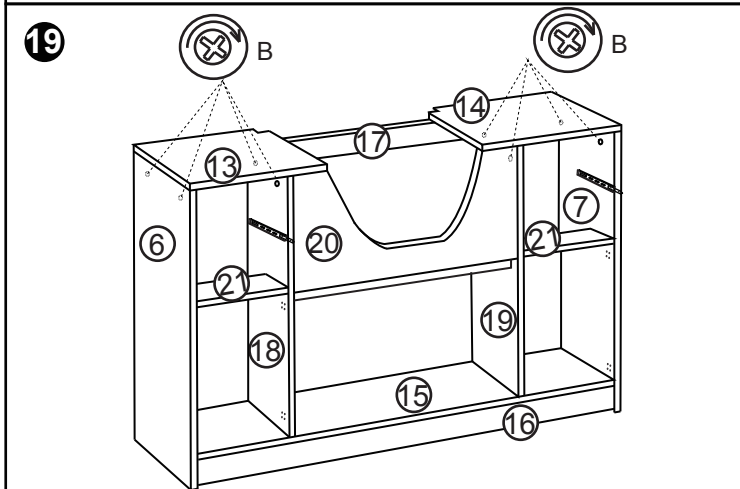
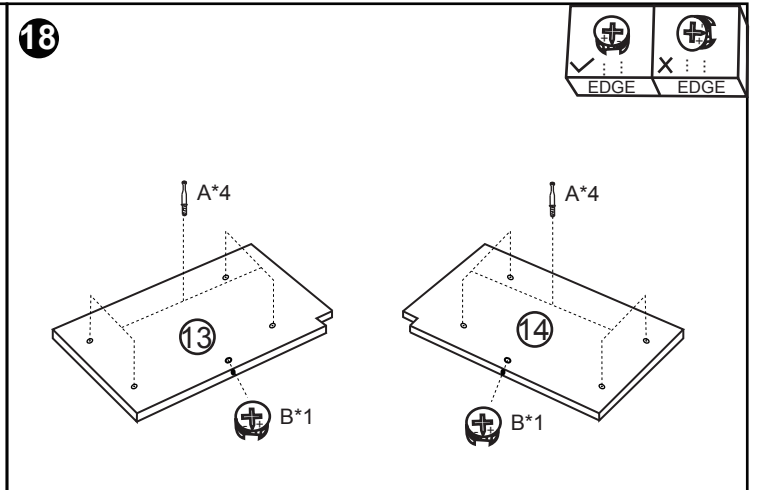
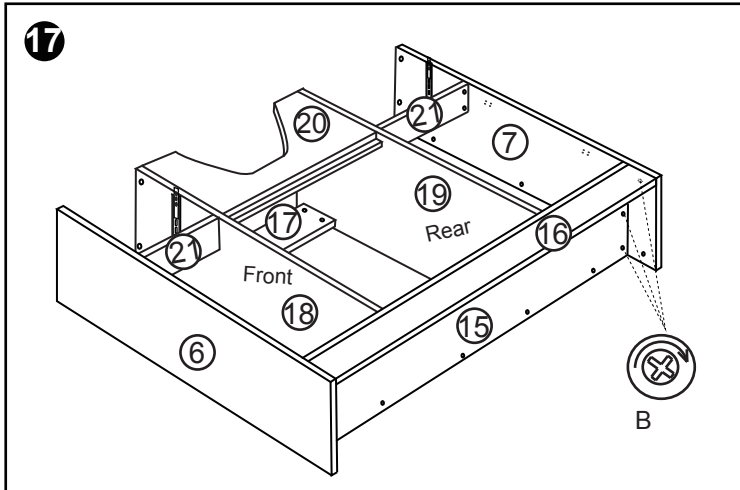
**DO NOT USE A POWER DRILL TO TIGHTEN THE SCREWS  
-TIGHTEN BY HAND WITH THE ALLEN KEY PROVIDED.  
Before use please check all fixings are tightened fully.**



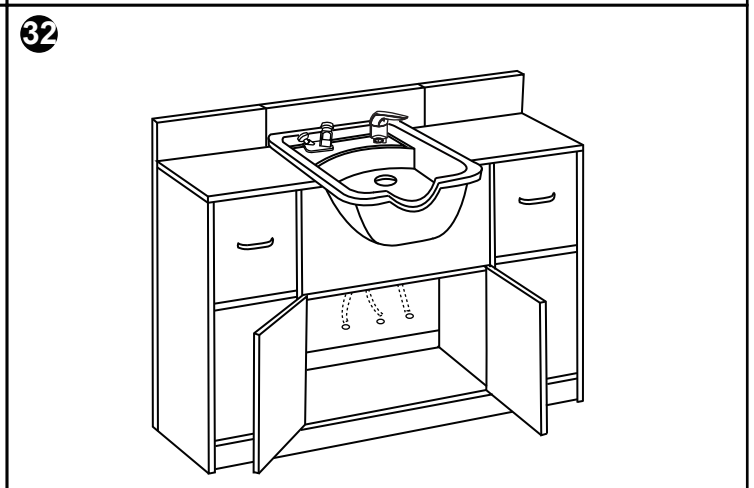
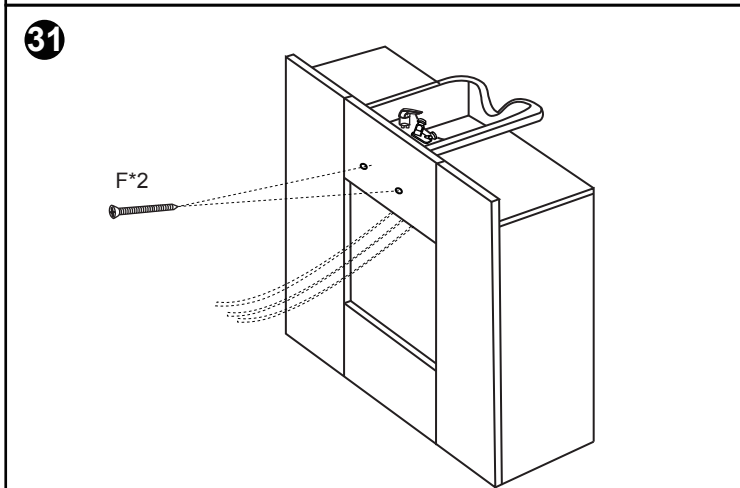
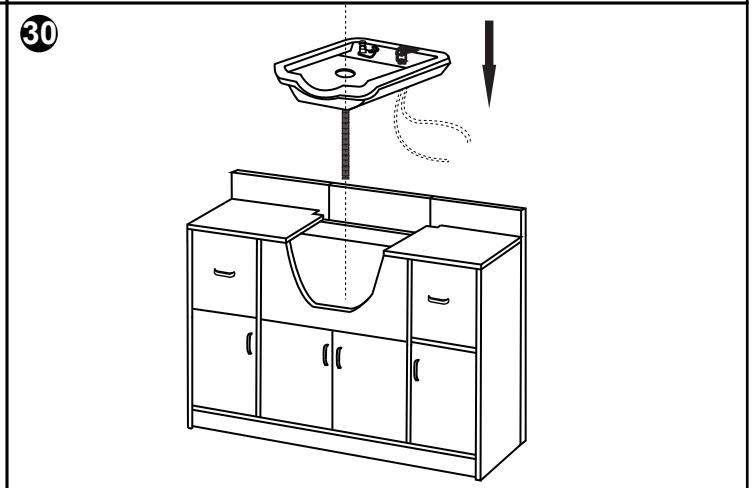
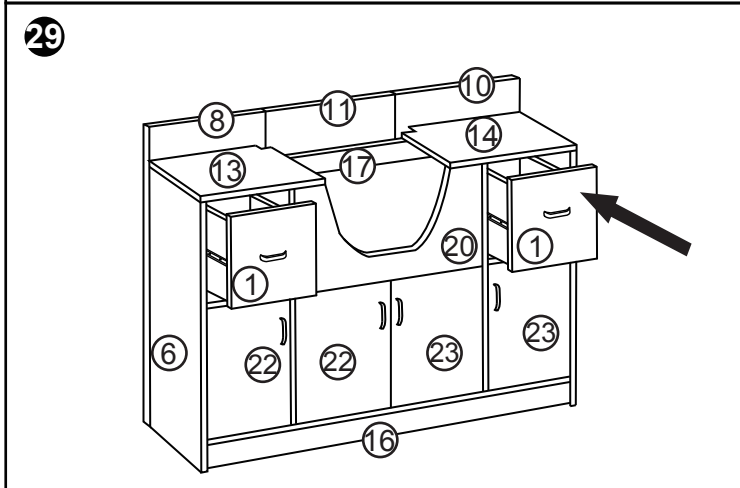
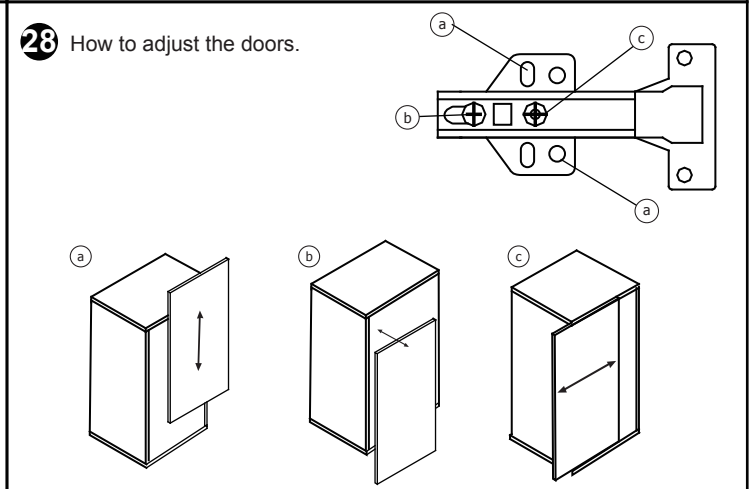
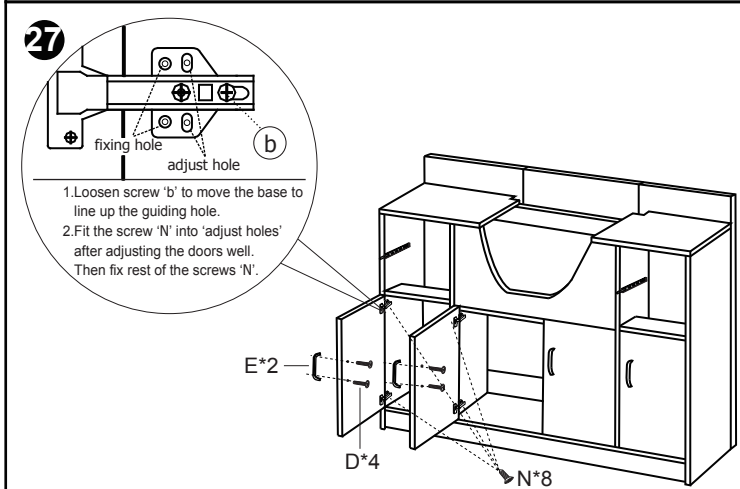
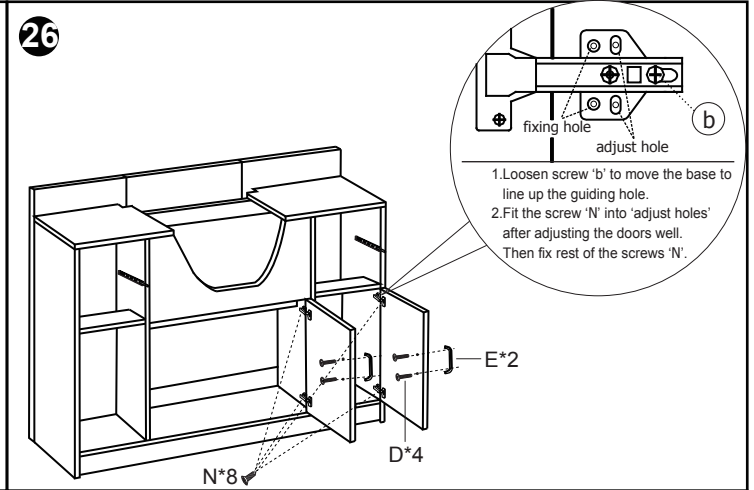
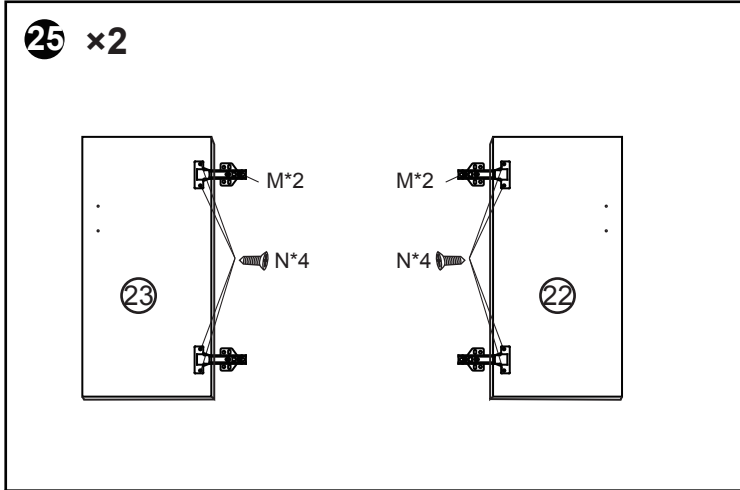
**DO NOT USE A POWER DRILL TO TIGHTEN THE SCREWS  
-TIGHTEN BY HAND WITH THE ALLEN KEY PROVIDED.  
Before use please check all fixings are tightened fully.**



**DO NOT USE A POWER DRILL TO TIGHTEN THE SCREWS  
-TIGHTEN BY HAND WITH THE ALLEN KEY PROVIDED.  
Before use please check all fixings are tightened fully.**

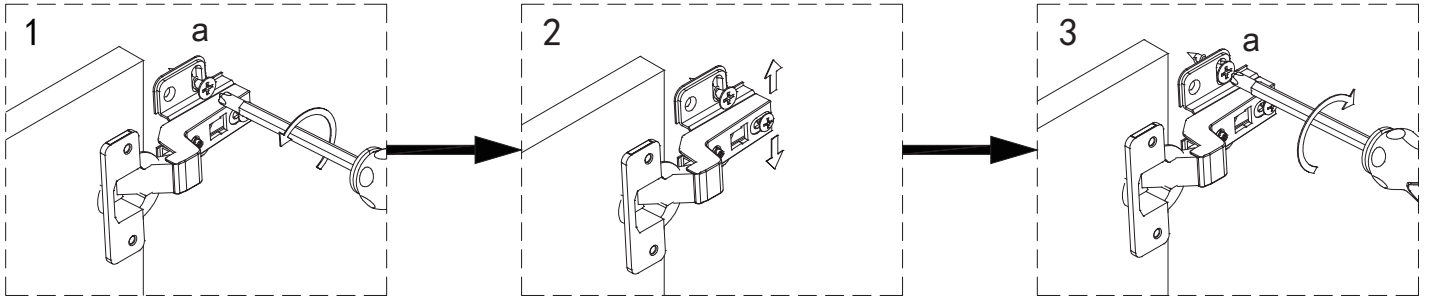


**DO NOT USE A POWER DRILL TO TIGHTEN THE SCREWS  
-TIGHTEN BY HAND WITH THE ALLEN KEY PROVIDED.  
Before use please check all fixings are tightened fully.**

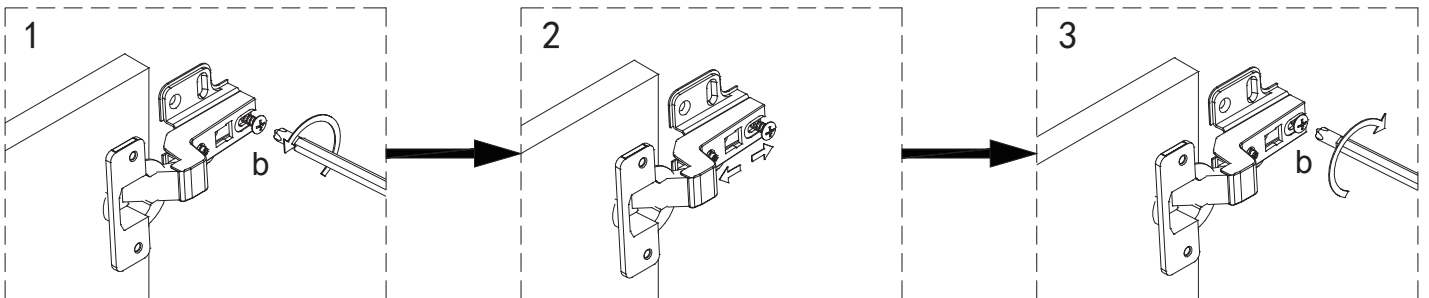




If the door sags, loosen screw a and adjust the height of the hinge up and down, then tighten screw a again when there is no problem.



If the door does not close tightly, loosen screw b and adjust the hinge left and right, then tighten screw b again if there is no problem.



If the door gap is big, loosen screw b and turn the screw c, then adjust the hinge back and forth, after no problem tighten the screw b again.

