

SILICA SERIES

NICHE®



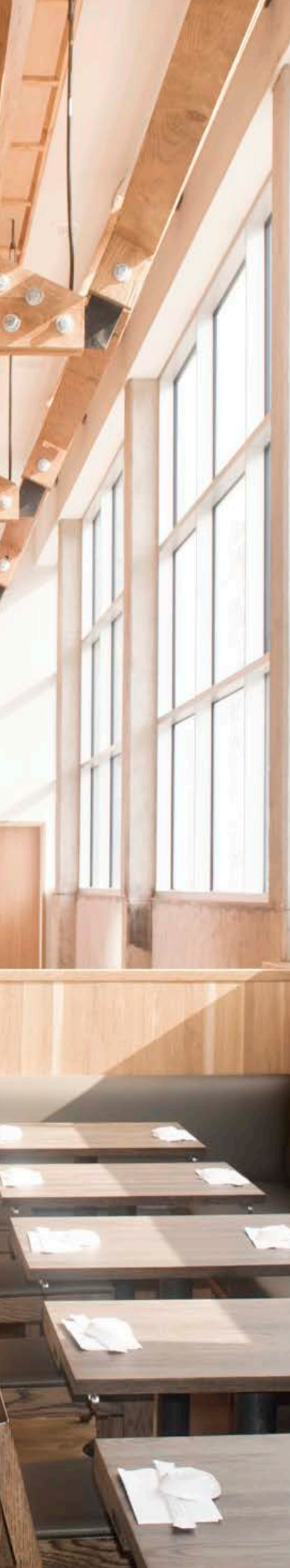
SOLITAIRE PENDANT LIGHT



100%
HONEST-TO-GOODNESS







SILICA SERIES

- 7 SOLITAIRE PRODUCT DETAILS
- 8 COLOR INSPIRATION

ACCESSORIES

- 10 ACCESSORIES
- 12 INSIDE THE BOX
- 14 CANOPIES
- 16 CHOOSE YOUR PENDANT HEIGHT
- 17 CORD SET OPTIONS

LAMPING OPTIONS

- 18 INSTALLATION GUIDE
- 20 VOLTAGE MAP
- 25 EDISON STYLE BULBS
- 26 GLOBE BULBS

MULTI-PENDANTS

- 29 MULTI-PENDANT INSTALLATION IDEAS
- 30 MULTIPLE JUNCTION BOXES
- 30 TRACK LIGHTING
- 31 MULTI-PENDANT CANOPY
- 32 INSPIRATIONAL SETTINGS
- 36 THE LINEAR COLLECTION
- 36 THE CIRCULAR COLLECTION

CONNECT

- 41 QUOTE
- 42 CONTACT INFORMATION



SHOWN ABOVE IN CRYSTAL GLASS

SOLITAIRE

PENDANT



PRODUCT DETAILS

Stunningly minimalist and straightforward in its presentation, the celebration of one single Edison style bulb at the center of the Solitaire pendant is beautiful to behold. With so many colors to choose from and so many potential uses, the Solitaire is lovely on its own or in a cluster.

SPECIFICATIONS

Hand-blown glass

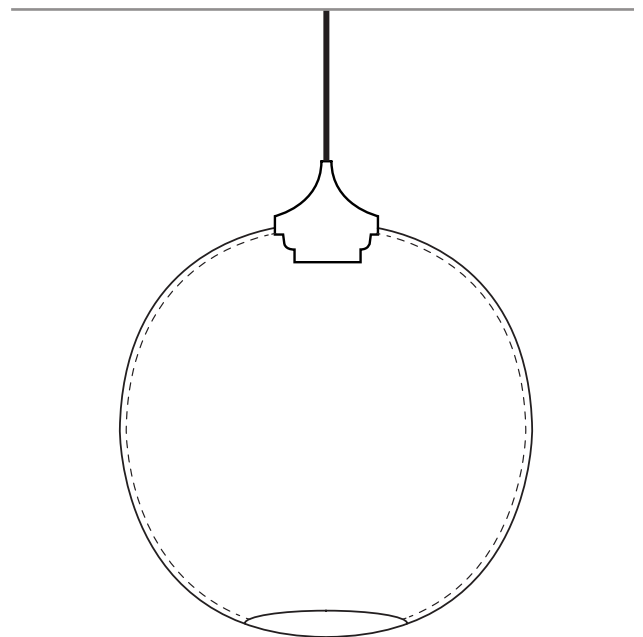
Includes: Glass Solitaire shade, 4' black cord and 5" black ceiling canopy. Other ceiling canopy finishes available as custom order. See [tear sheet](#) for more information.

DIMENSIONS

10" diameter

PRODUCT PAGE

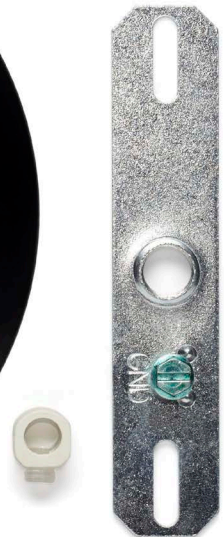
shop.nichemodern.com/product/solitaire-modern-pendant-light.html





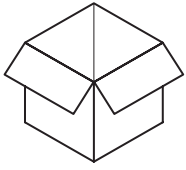






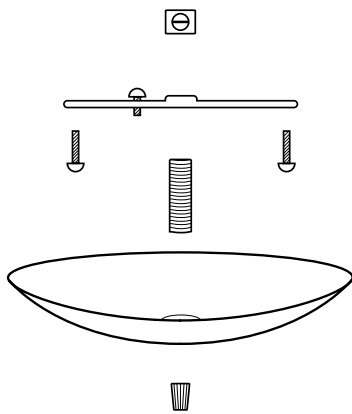
ACCESSORIES

CUSTOMIZE YOUR PENDANT

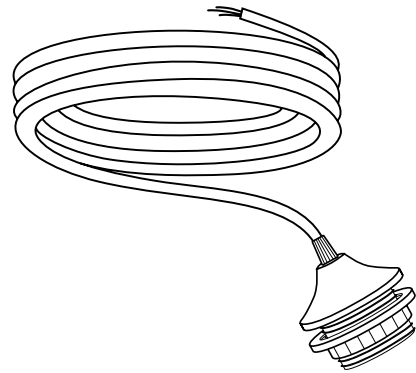


INSIDE THE BOX

HERE'S WHAT'S INCLUDED!

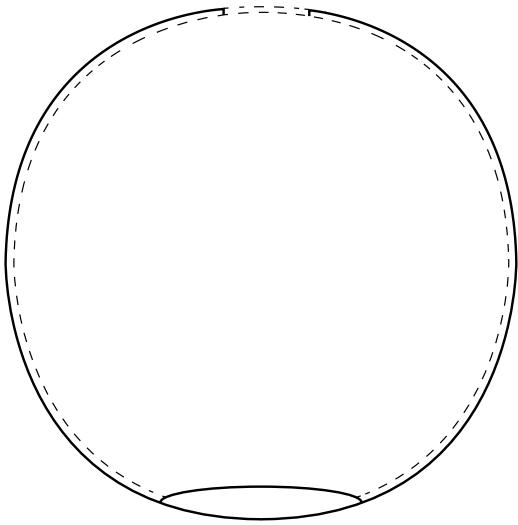


5" CEILING CANOPY

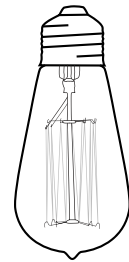


CORD SET





GLASS SHADE



BULB



CANOPIES

IT'S ALL IN THE DETAILS



BLACK



WHITE



POLISHED NICKEL



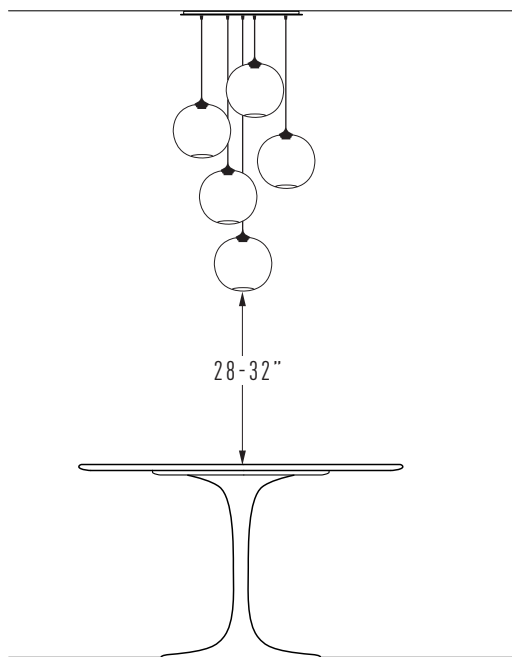
BRUSHED NICKEL

CHOOSE A CANOPY FINISH

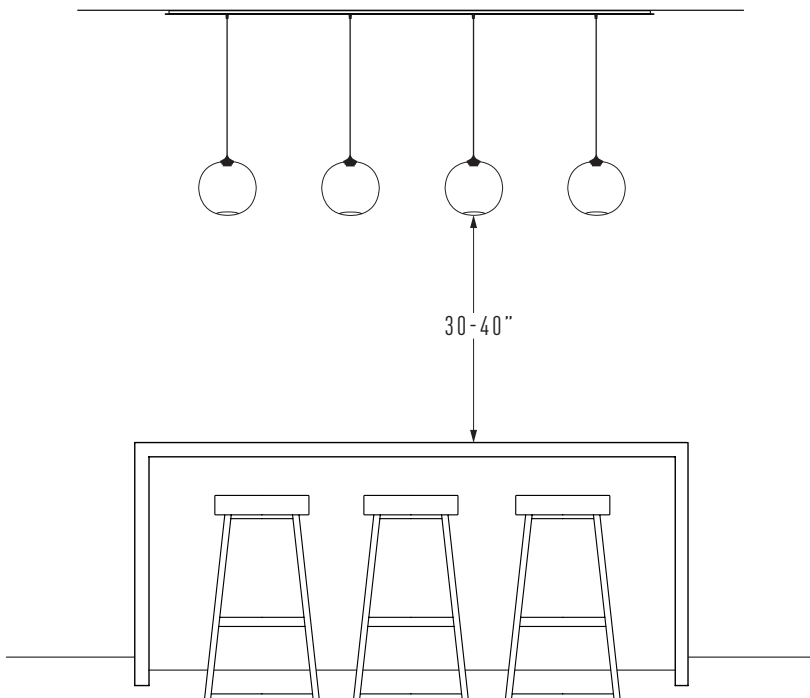
Choose from one of our 4 unique finishes to blend in seamlessly with your space! All Niche canopy kits include a 5" domed ceiling canopy, mounting plate & screws. This allows for installation directly into an electrical junction box and the canopy will cover any standard size opening.

CORD SETS

HOW LOW CAN YOU GO?



RECOMMENDED
DISTANCE FROM TABLE TOP



RECOMMENDED
DISTANCE FROM COUNTER TOP

The standard 4' length that comes supplied with your Niche pendant should work for most installations. Your electrician can easily adjust the height up or down before installing so you can get it just right.

“A little higher. Now a little lower. Ok, perfect!”

AT THE END OF YOUR ROPE?

All Niche cord sets can be cut on site to the desired length. To find out how much cord length you need just take the measurement from the floor to the ceiling and then subtract that from the distance from the floor to the bottom of the glass. It's easy and we're always here to help make sure you have exactly what you need.



STANDARD 4' BLACK CORD SET

Our 4' black cord set comes standard with your order, but you can also select from longer lengths or choose the sleek and chic silver cord.

Cord sets are available in both 120 and 240 volts. Check out the map on the next page to find out what type of voltage you need for your installation.

4'

12'

24'

BLACK CORD SET OPTIONS



SILVER CORD SET OPTIONS

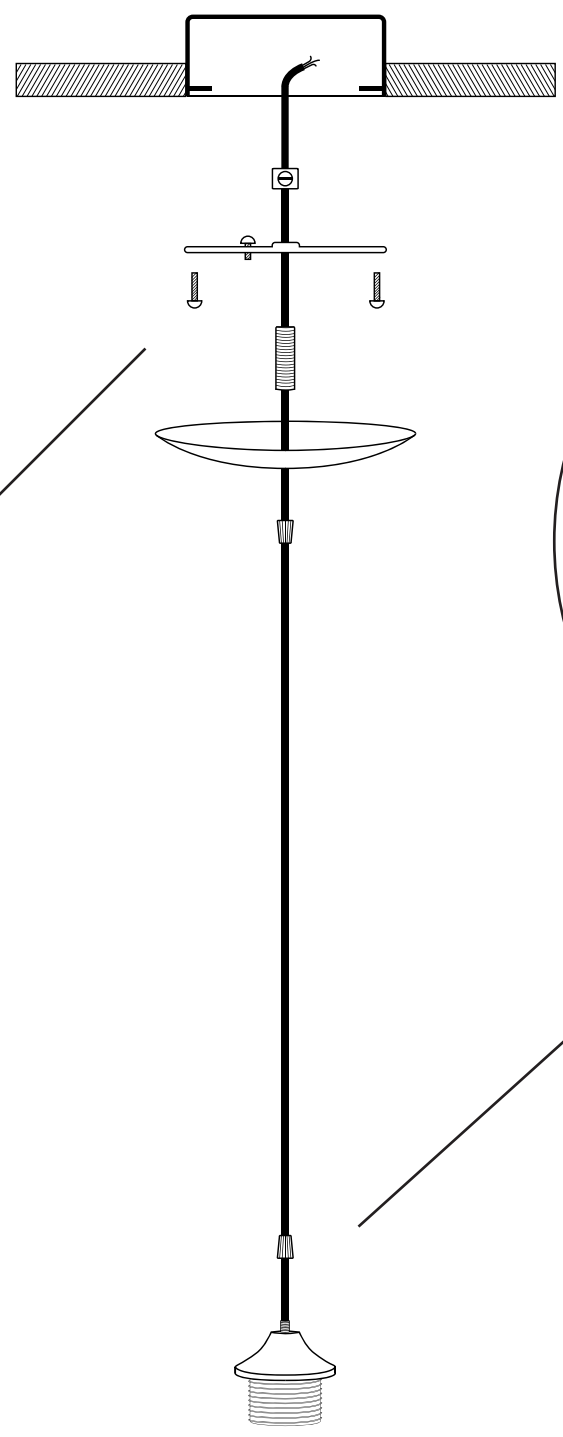
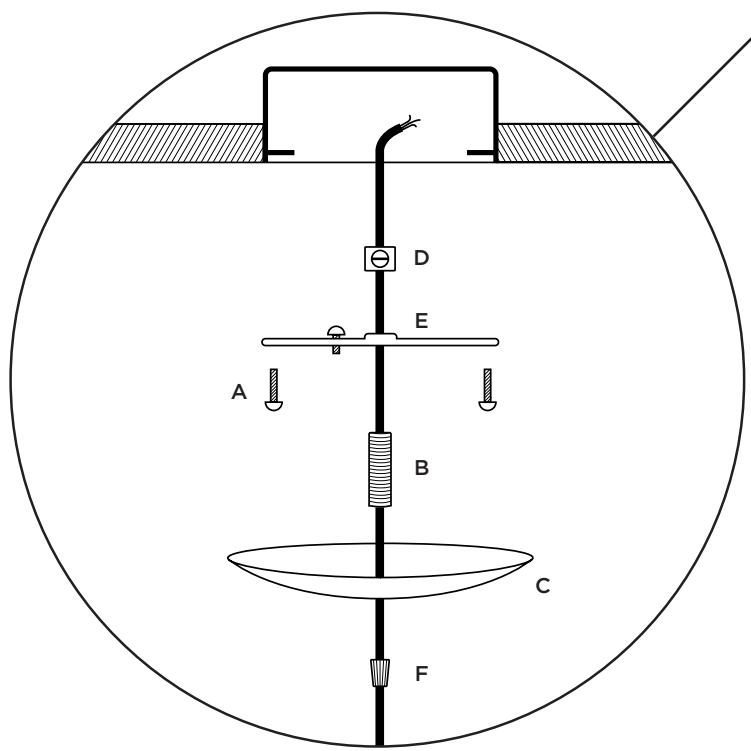


INSTALLATION

IN A NUTSHELL...

1 SET DROP LENGTH

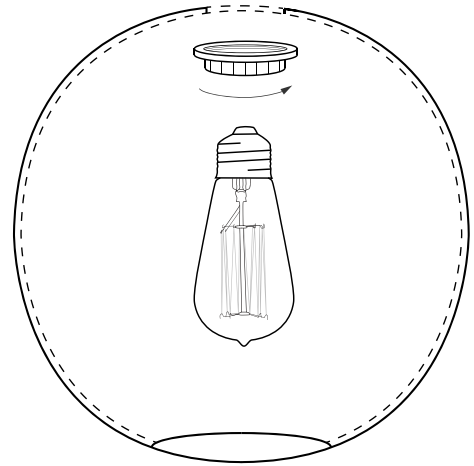
Measure twice, cut once! Make sure your pendant hangs at the right height by setting your drop length ahead of time.



2 WIRE IT UP!

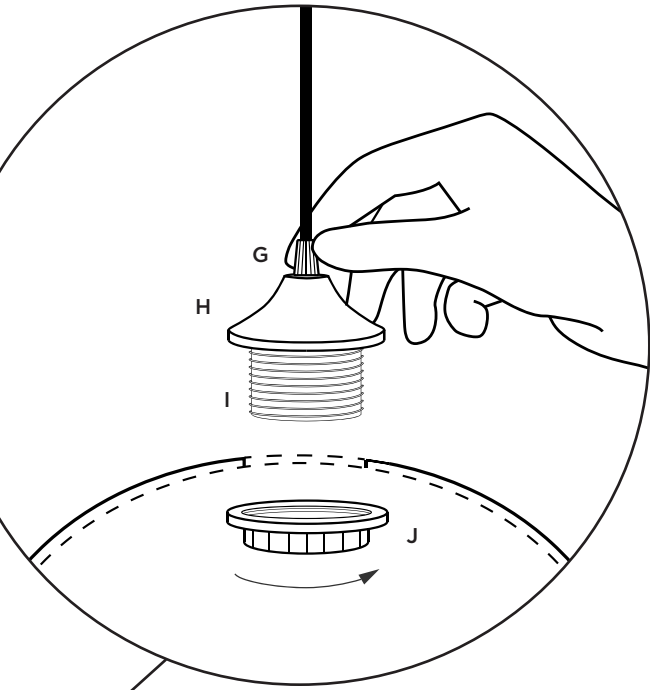
Your pendant includes everything you need to install directly into a junction box. Thread the wire-end of your cord through the included parts of the canopy kit, as pictured. Connect the light fixture wires to the wires in the junction box, followed by attaching the crossbar (E) & the canopy (C).

Your electrician will be able to help you with these steps!



STANDARD CANOPY KIT INCLUDES

- A MOUNTING SCREWS
- B NIPPLE PIPE
- C CANOPY
- D WIRE STRAIN RELIEF
- E CROSSBAR
- F CANOPY STRAIN RELIEF
- G GLASS STRAIN RELIEF
- H SOCKET COVER
- I THREADED SOCKET
- J SHADE RING



3 THE FINAL MOMENT

When attaching the glass shade onto the cord, remove (J) the shade ring from (I) the threaded socket. When doing so, it is important to only grip (G) the glass strain relief on the top of (H) the socket cover, not the socket cover itself. Hold this strain relief when re-attaching the shade ring to hang glass and when removing glass to clean.

Finally, insert your bulb & flip the switch!

CAUTION

Be sure the power is turned off by either removing the fuse or shutting off the circuit breaker. Installing your Niche pendant is pretty straightforward, but we always suggest that you work with a certified electrician to ensure proper installation. An electrician can also install your lights on a dimmer switch if using dimmable bulbs. This is highly recommended.



- 100 - 120 V
- 220 - 240 V

The Solitaire pendant can accommodate both 120 and 240 volt settings. 120v bulbs are included. For 240v bulbs please call or email us for options.

WHERE I



N THE WORLD ARE YOU?

USE THIS MAP TO FIND YOUR VOLTAGE





LAMPING
OPTIONS





INCANDESCENT EDISON BULB

Available in both 120v and 240v, the Edison bulb is crafted to evoke the look of the historic Edison light bulbs. Used in our Solitaire pendant, this bulb has an ambient and seductive glow.



LED EDISON BULB

Newly available LED nostalgic style bulbs save you energy without losing that vintage feel. This dimmable LED Edison bulb works on 120 volts and only uses 2 watts.



INCANDESCENT SMALL GLOBE BULB

The G25 globe style bulb is recommended for use in the Solitaire as an alternative to the Edison bulb. Compatible with 120v settings.



INCANDESCENT SMALL FROSTED GLOBE BULB

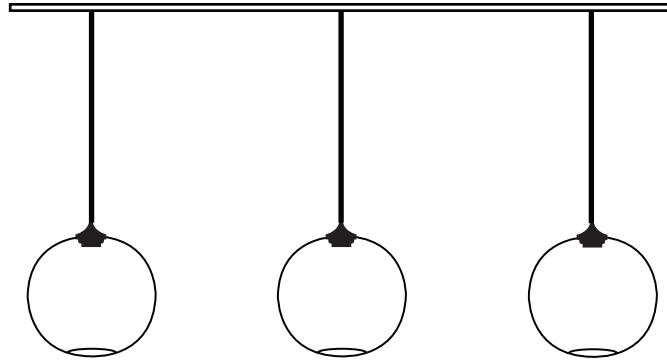
The Frosted version of our G25 globe style bulb is recommended for use in the Opaline Solitaire to give the glass a soft glow. Compatible with 120v settings.







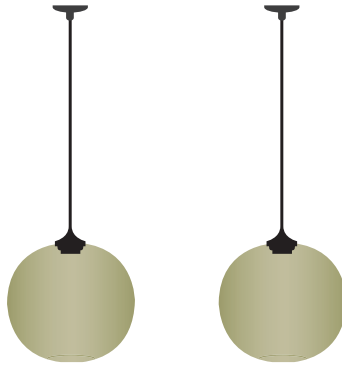
MULTI-PENDANT



INSTALLATION IDEAS

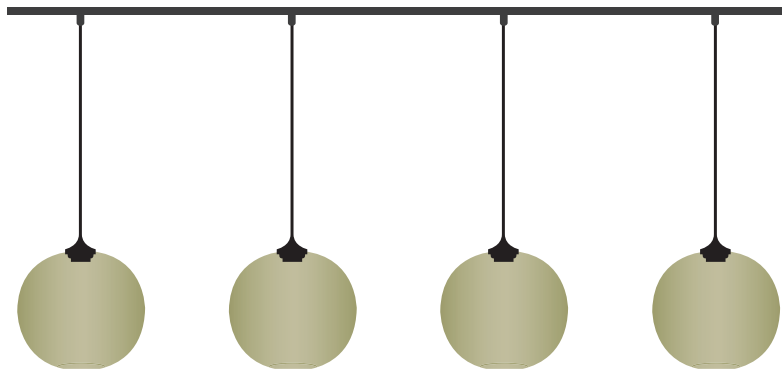
THE MORE THE MERRIER

HOW TO HANG MULTIPLE PENDANTS



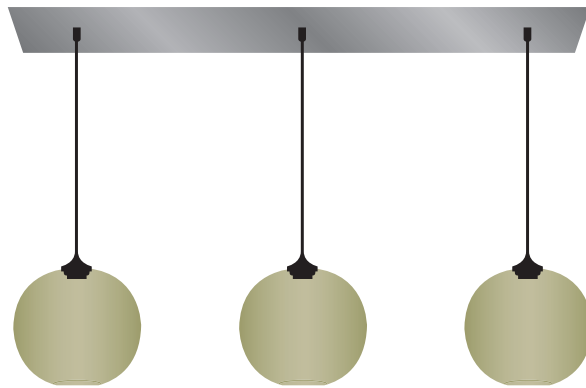
MULTIPLE JUNCTION BOXES

All Niche pendant lights ship with an individual canopy included. This allows for installation directly into a standard junction box. Selecting multiple pendants, whether it's 2 or 3 above a kitchen island, can help visually define your space. Each will require a separate junction box but the 5" dome canopy provides a classic look that works with multiple pendants.



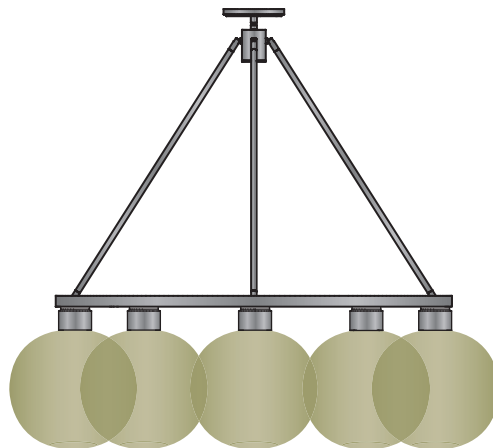
TRACK LIGHTING

Track lighting allows you to hang multiple pendants with the freedom to move and position the lights anywhere along the track grooves. Ask your electrician about installation options. Niche pendants are compatible with Halo, Juno and Lightolier line voltage track systems. Niche can provide Halo compatible track connectors which your electrician can wire at the desired height.



MULTI-PENDANT CANOPY

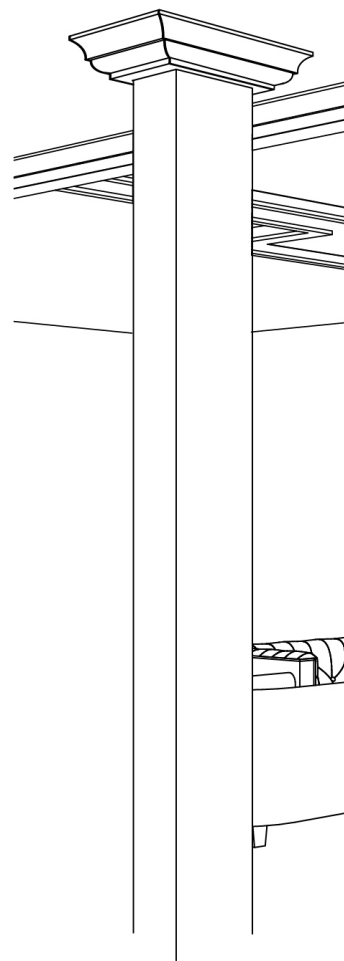
Electricians aren't cheap, so if you're planning on hanging more than one pendant you may want to look at our Multi-Pendant Canopy options. This way your electrician only needs one electrical junction box to hang multiple pendants. Choose from a number of our Circular or Linear canopies to hang 2, 3, 4 or more pendants.

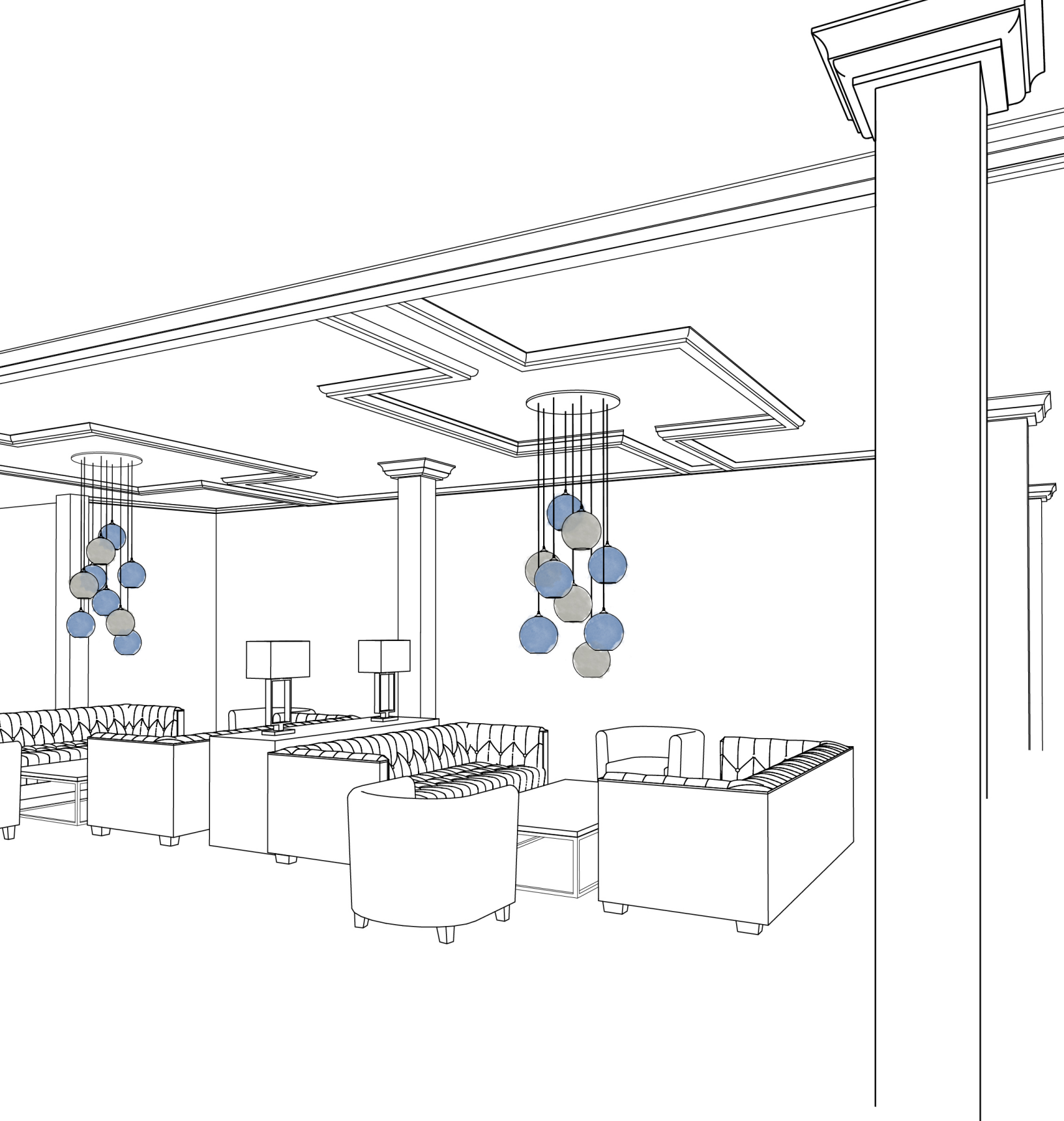


SOLITAIRE CHANDELIER

Elegant and timeless, the Solitaire Modern Chandelier holds five of our signature Solitaire glass orbs. It's another great option to hang multiple pendants from a single junction box. With the ability to choose the height of the chandelier, it can create a stunning focal point in any space.

INSPIRATIONAL
SETTINGS





MULTI-PENDANT CANOPY

Wow your guests and make a lasting impression by creating a sea of Solitaire pendants. These cascading Circular-9 canopies make it easy to install multiple pendant lights with only a single junction box. The soft glow of the vintage Edison style bulbs wrapped in handmade glass shades are a perfect fit for a lobby or a lounge. It's a sure way to enhance a sophisticated space.



TRACK LIGHTING

Light up your gathering space or serve up your meals with added style - use traditional track lighting with multiple Solitaire pendants over any table. Stagger pendants, mix colors or add different glass shapes to make your installation truly unique.

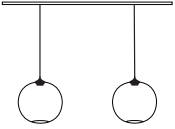


MULTIPLE JUNCTION BOXES

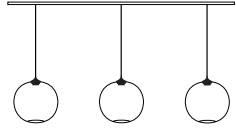
You can line your retail space with classic Solitaire pendants but you're sure to make a statement when you complement them with a [Solitaire Chandelier](#). Everyone knows that it's more fun to shop under great lighting!

THE LINEAR COLLECTION

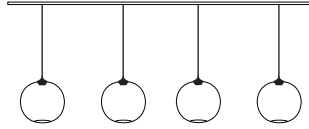
LINEAR 2
8" X 32"



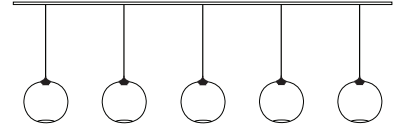
LINEAR 3
8" X 48"



LINEAR 4
8" X 64"



LINEAR 5
8" X 80"

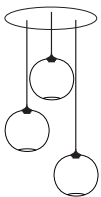


A STRAIGHT SHOT

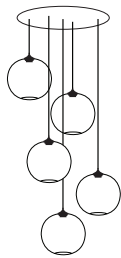
Click [here](#) for more information about the Linear Canopy Collection.

THE CIRCULAR COLLECTION

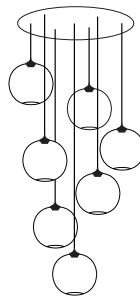
CIRCULAR 3
18" DIAMETER



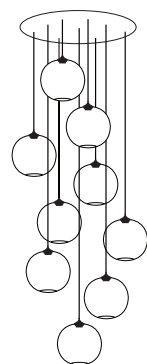
CIRCULAR 5
18" DIAMETER



CIRCULAR 7
23.5" DIAMETER



CIRCULAR 9
23.5" DIAMETER



STAGGER IT

Click [here](#) for more information about the Circular Canopy Collection.

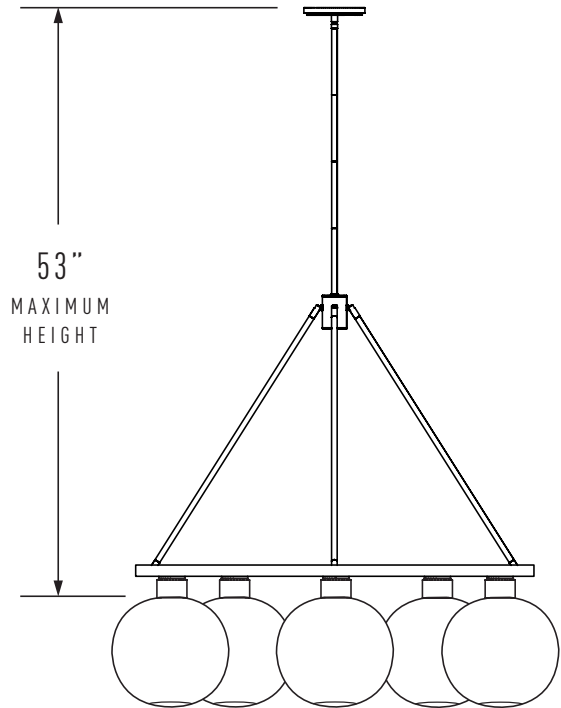
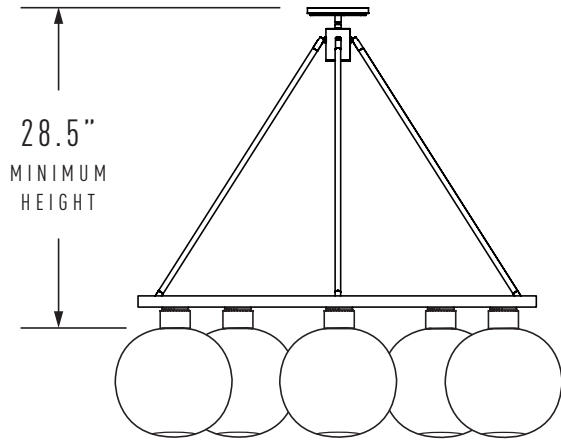




LOCALLY SOURCED
BEAT BEER
STEINS
TRIPLES
CIDER
FEATURES

SOLITAIRE CHANDELIER

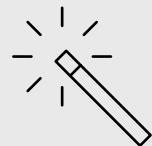
HEIGHT & COLOR OPTIONS



This versatile chandelier gives you the option to flush mount right to the ceiling or add extension rods, dropping your chandelier to the perfect height. Our Solitaire chandeliers are engineered to be adjusted to fit just about any space. Then, all you have to do is choose from our standard [Solitaire glass colors](#) and that's the fun part!

CUSTOM DESIGN SERVICES

Team Niche is a group of magical beings. We'll wave our magic wands and create something special, just for you. [Contact us](#) to get started on your custom installation today!





“GOOD DESIGN IS OBVIOUS
GREAT DESIGN IS TRANSPARENT.”

-JOE SPARANO



handmade with  in new york

Located along the Hudson River, Niche calls the city of Beacon home.

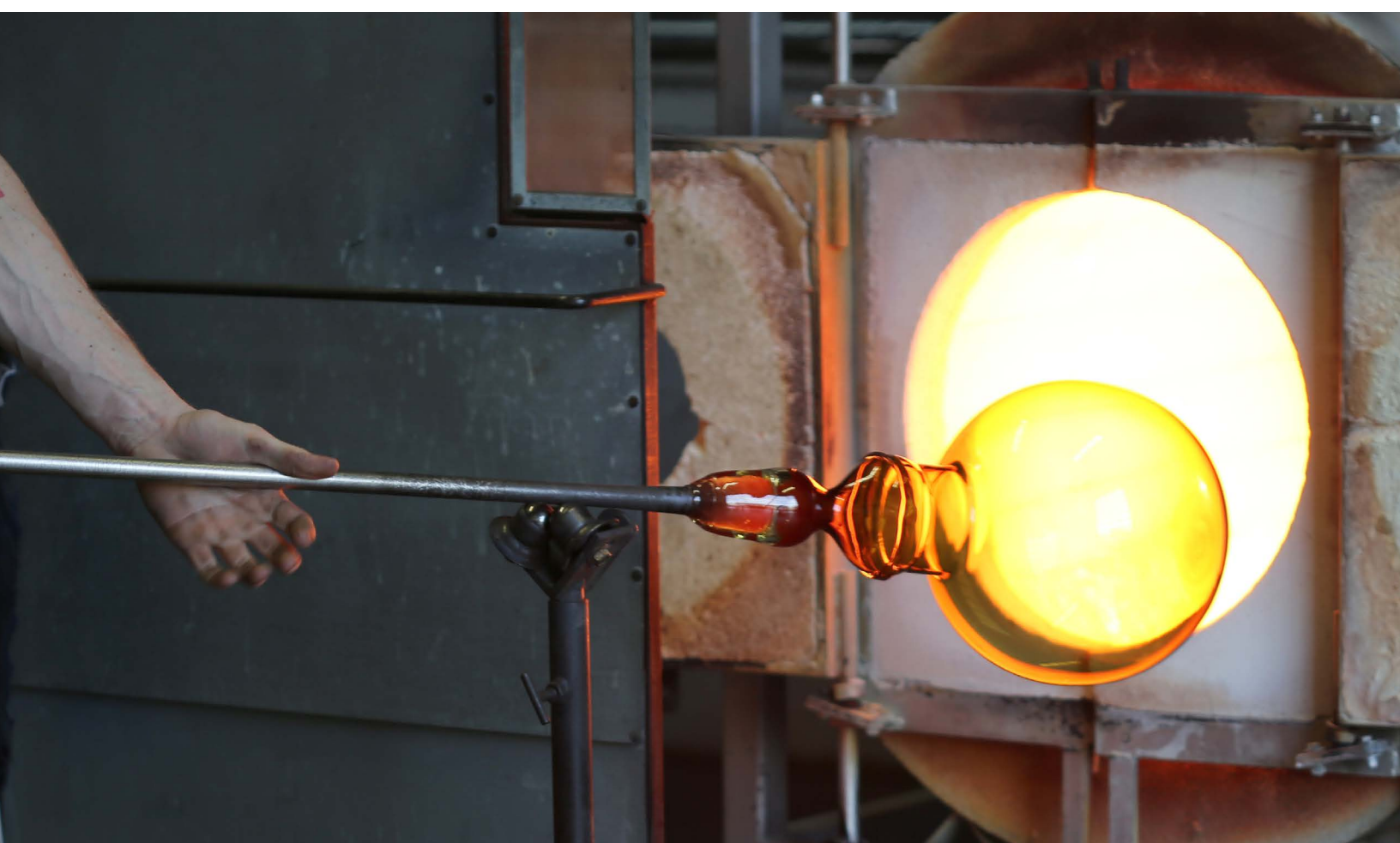
It's also where our products are hand-made to order by our team of talented artisans. When you purchase from Niche you can be certain that it's made in New York with love.



Connect with us online, or the old fashioned way:

P.O. Box 311
Beacon, NY 12508
T: 866.299.7105
F: 212.777.2051







M A D E

not

M A N U F A C T U R E D