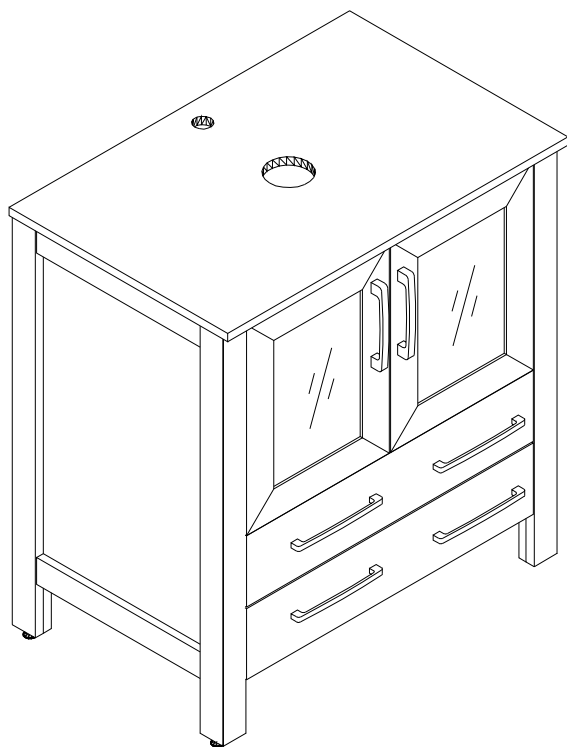


Installation & Assembly

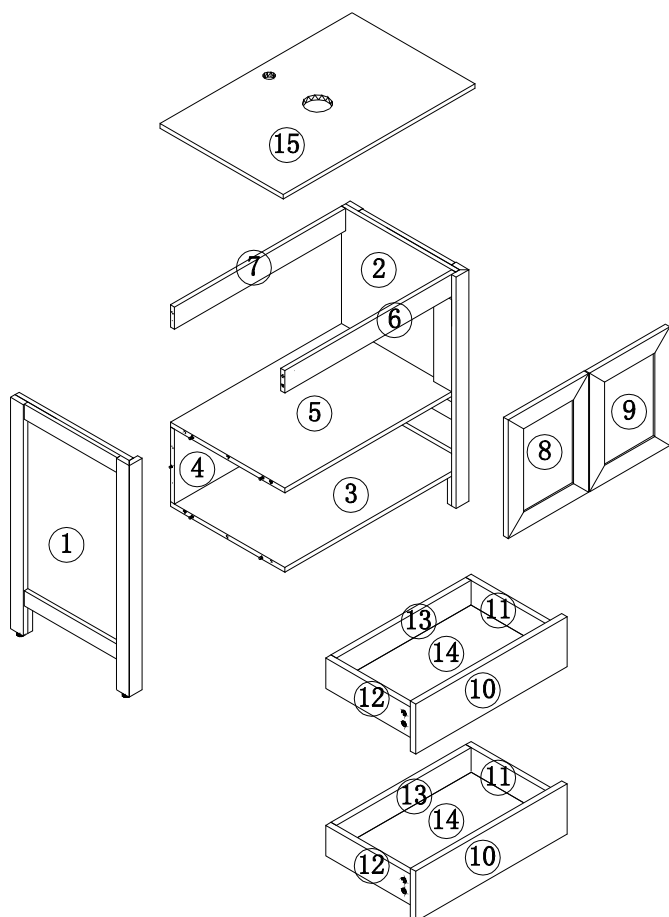
DIMENSIONS



PARTS LIST

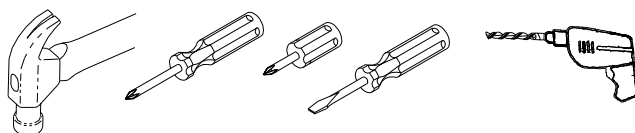
PARTS LIST			HARDWARE LIST		
NO	DESCRIPTION	QTY	NO	DESCRIPTION	QTY
①		1	A		28
②		1	B		28
③		1	C		28
④		1	D		16
⑤		1	E		4
⑥		1	F		36
⑦		1	G		12
⑧		1	H		6
⑨		1	I		4
⑩		2			
⑪		2			
⑫		2			
⑬		2			
⑭		2			
⑮		1			

ASSEMBLY DIAGRAM



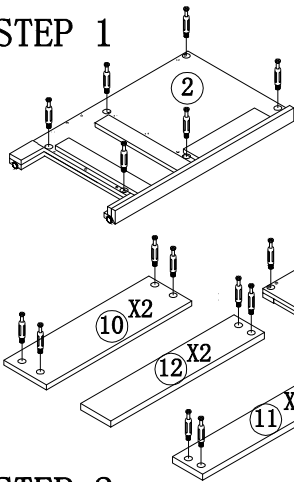
CAUTION: Please confirm the parts list before installation

YOU MAY NEED (NOT SUPPLIED)

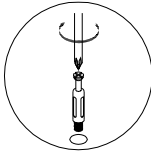
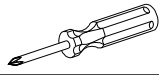


INSTALLATIONS

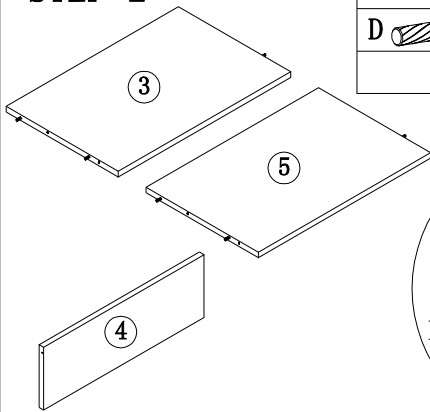
STEP 1



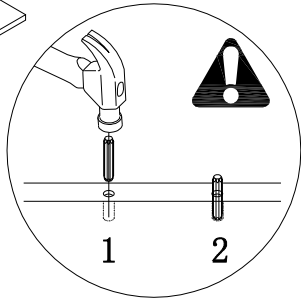
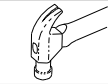
HARDWARE LIST	
B	12PCS



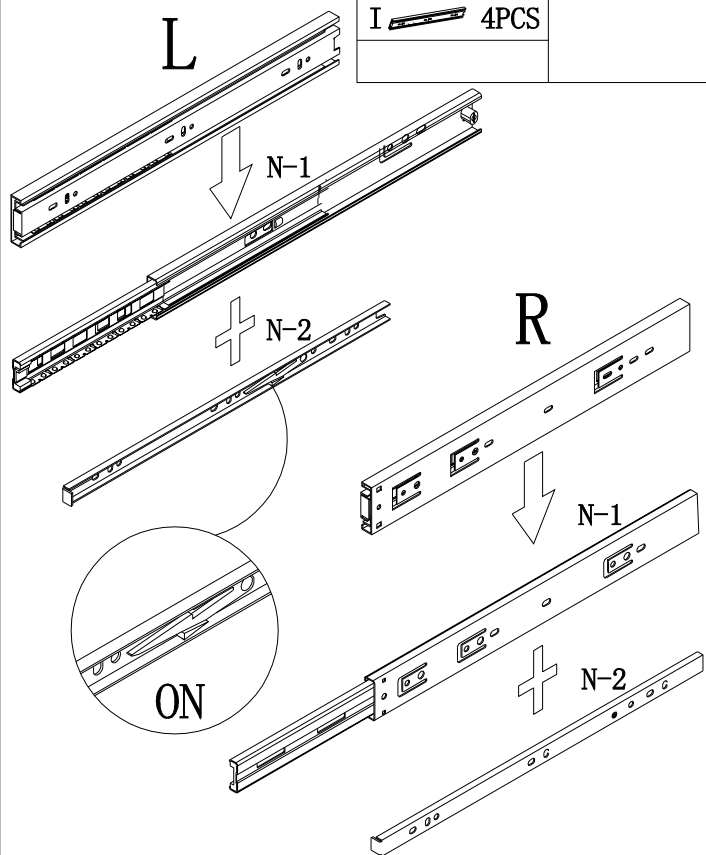
STEP 2



HARDWARE LIST	
D	16PCS

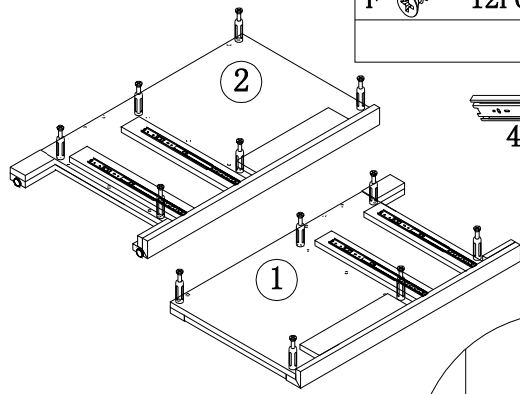


STEP 3

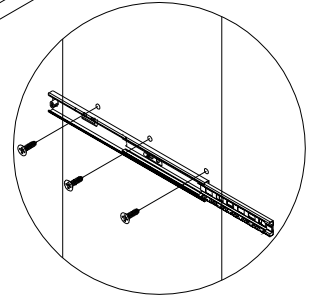
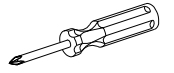


HARDWARE LIST	
I	4PCS

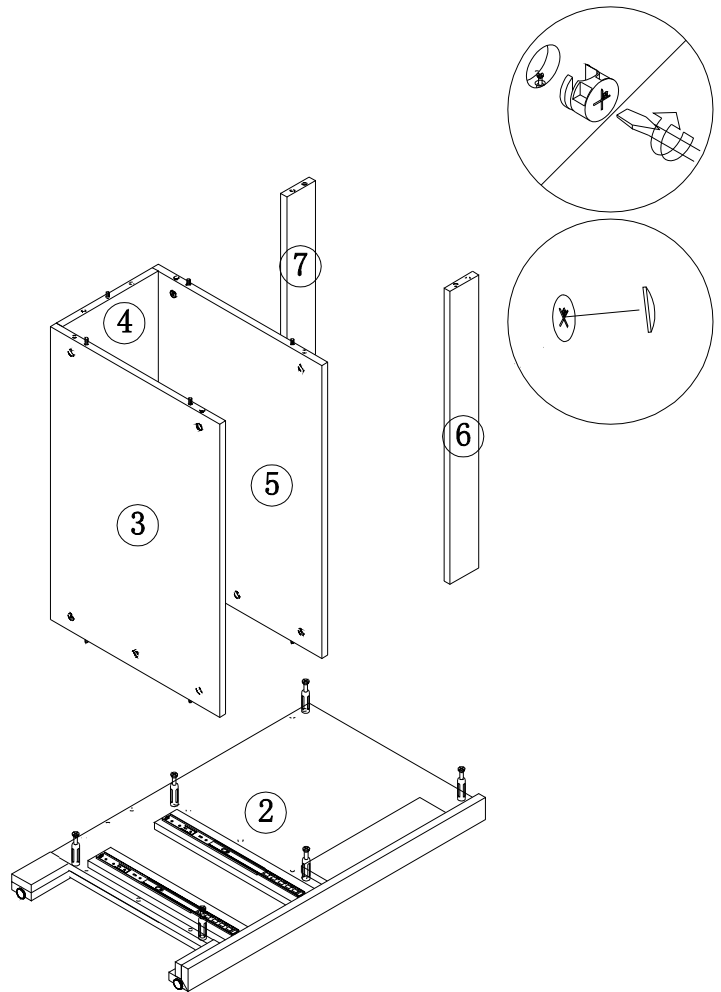
STEP 4



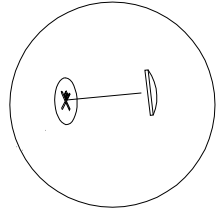
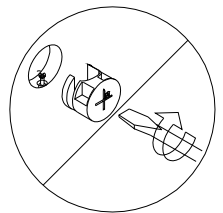
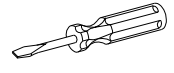
HARDWARE LIST	
F	12PCS



STEP 5



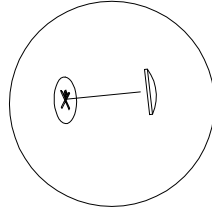
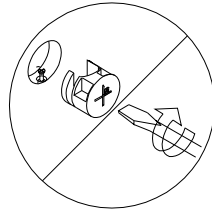
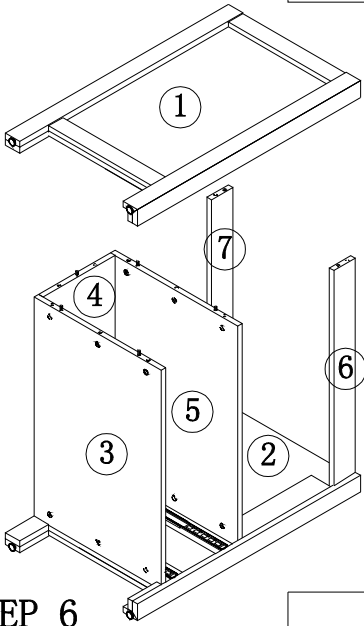
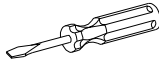
HARDWARE LIST	
A	12PCS
C	12PCS



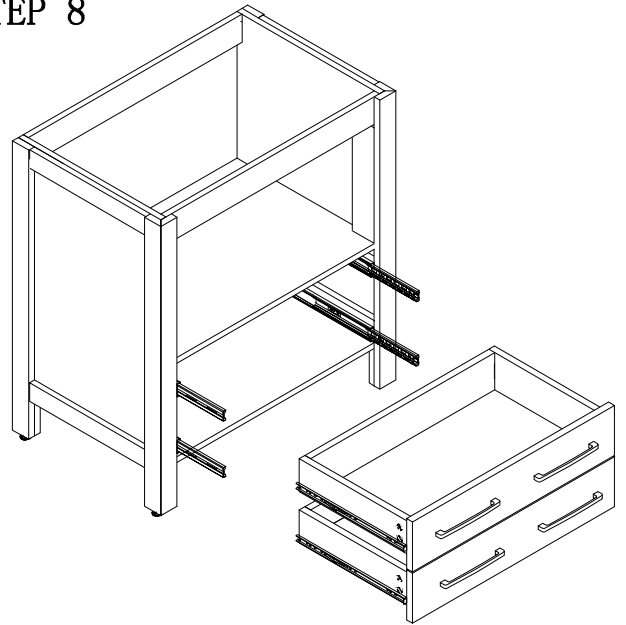
STEP 5

HARDWARE LIST

A		12PCS
C		12PCS





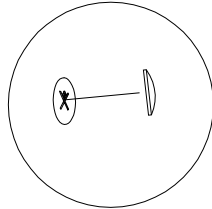
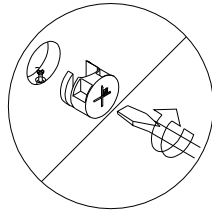
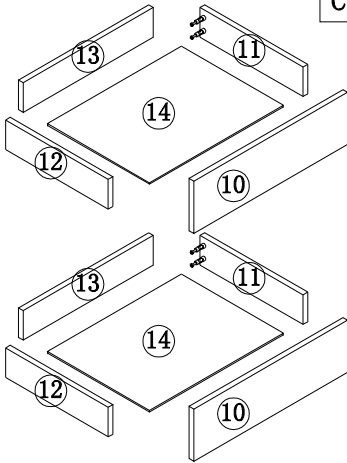
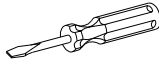
STEP 8



STEP 6





HARDWARE LIST

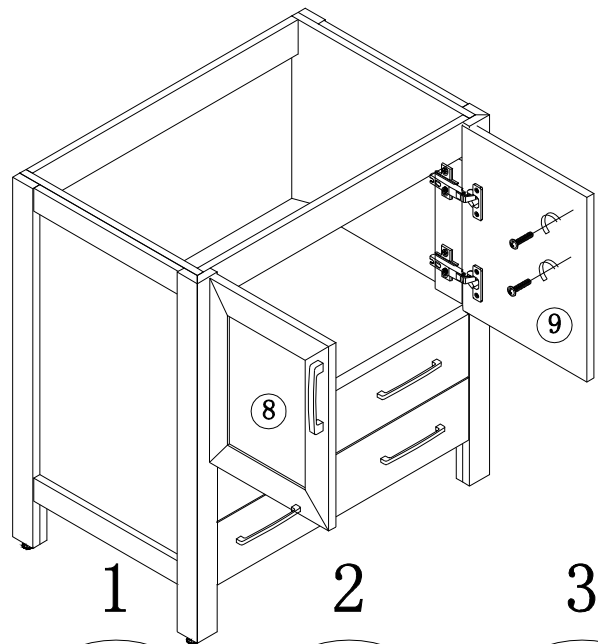
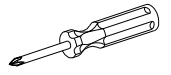
A		16PCS
C		16PCS



STEP 9




HARDWARE LIST

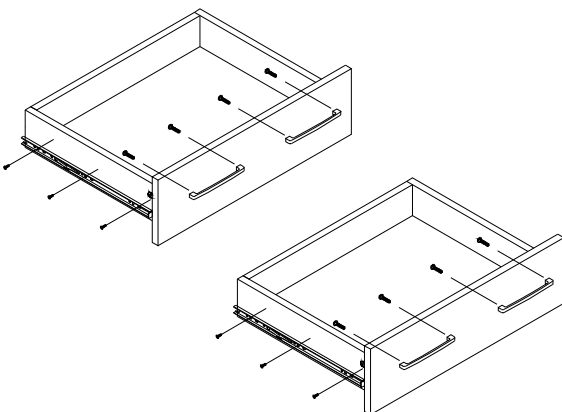
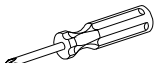
F		24PCS
H		2PCS
G		4PCS
E		4PCS



STEP 7

HARDWARE LIST

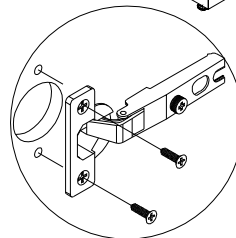
F		12PCS
G		8PCS
H		4PCS



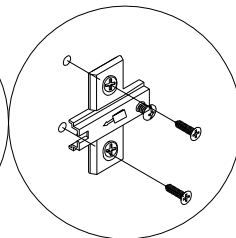
1

2

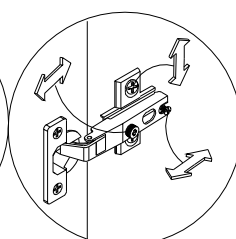
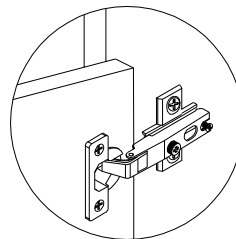
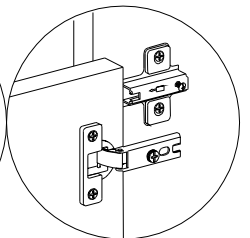
3



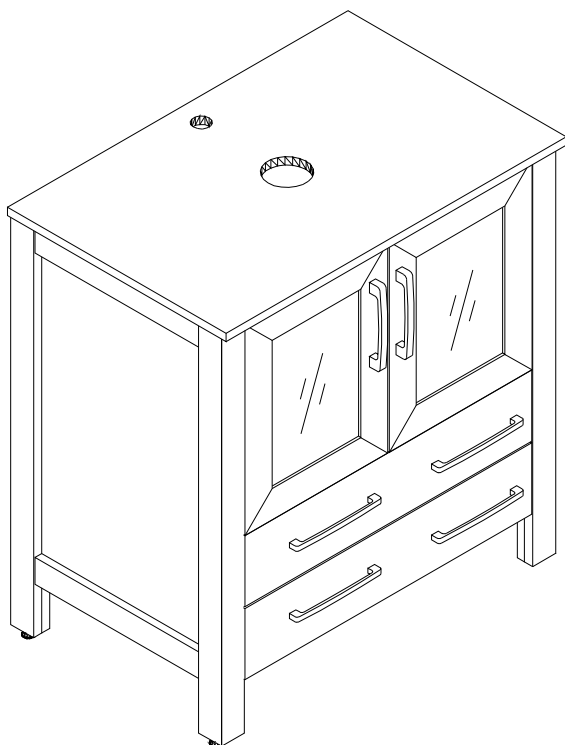
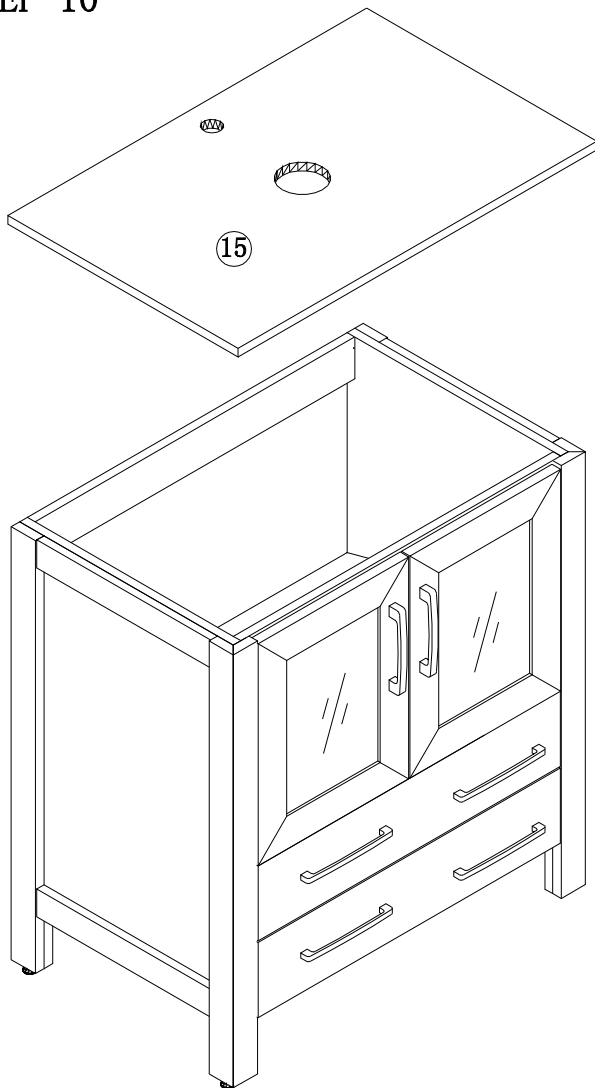
4



5



STEP 10



Choking hazard-Small Parts : This unit contains small parts, not for children under 3 years.

Tip-over hazard : Secure finished unit to wall stud using L-Bracket and wall screw (#10*1.5"W/out provided). If a wall stud is

not neccessible ,Consault your local hardware store for appropriate mounting hardware . Failure to properly install will result in product collapse or tip-over. Serious injury can occur .