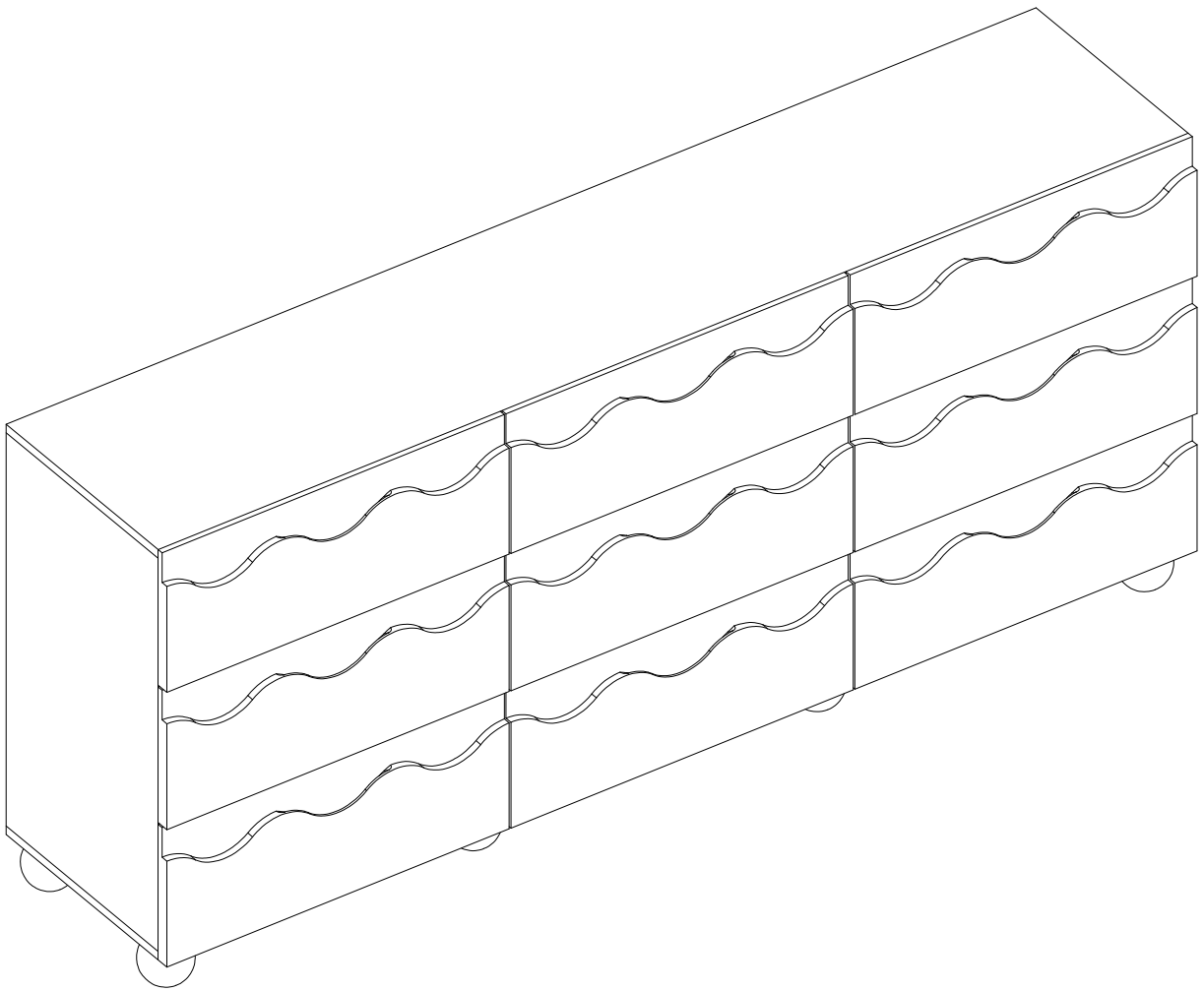
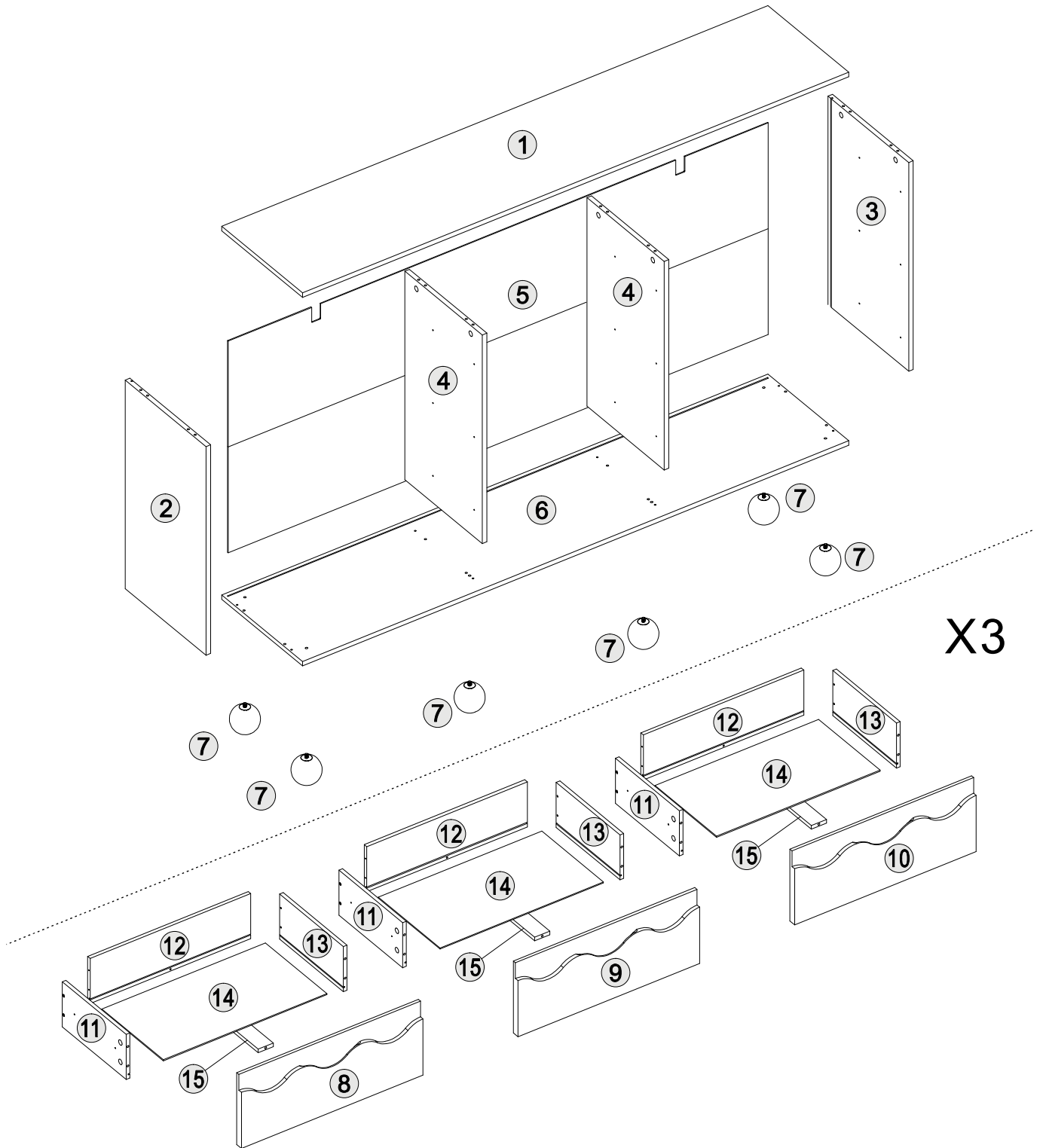
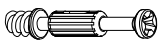

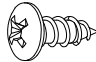

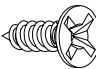




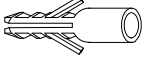


# INSTALLATION INSTRUCTIONS

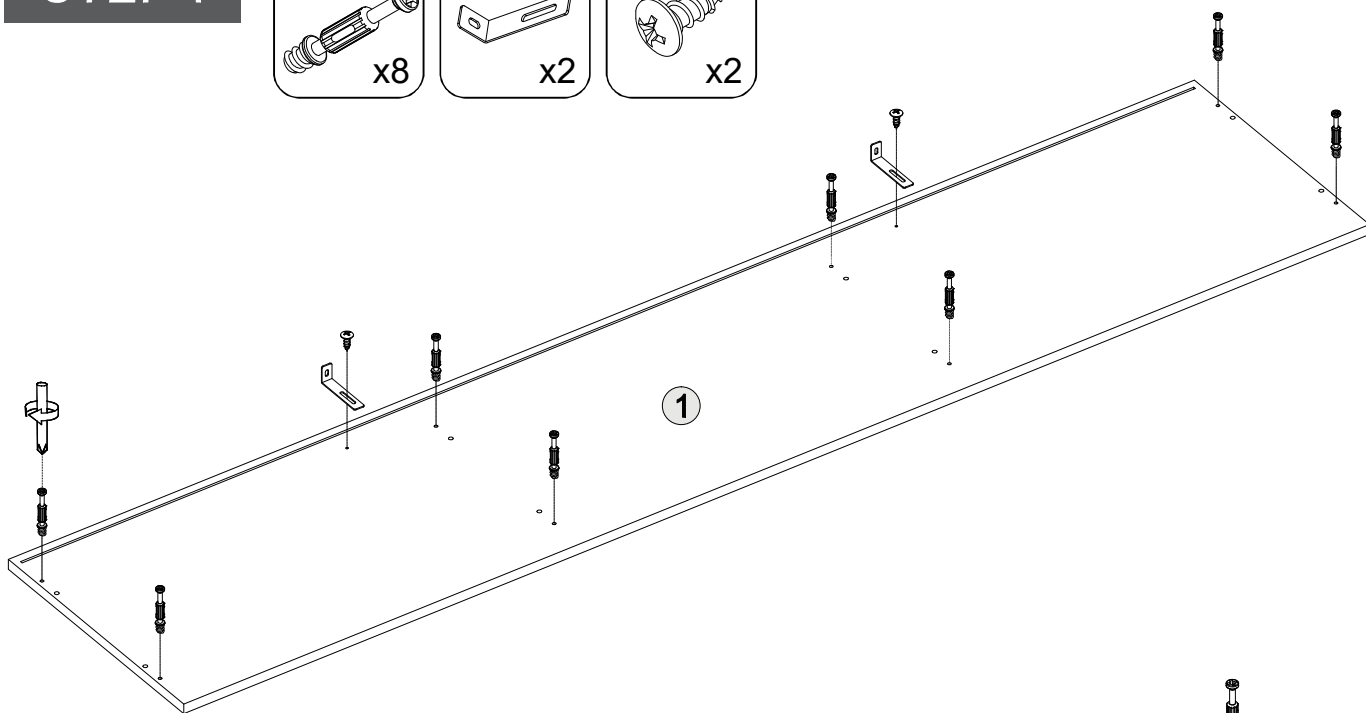
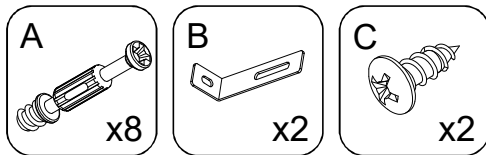




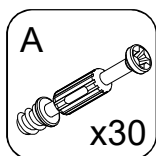
**CAUTION:** Please confirm the parts list before installation

				
A   53 PCS	B   2 PCS	C   2 PCS	D   18 PCS	E   72 PCS
				
F   16 PCS	G   53 PCS	H   8 PCS	J   55 PCS	K   2 PCS

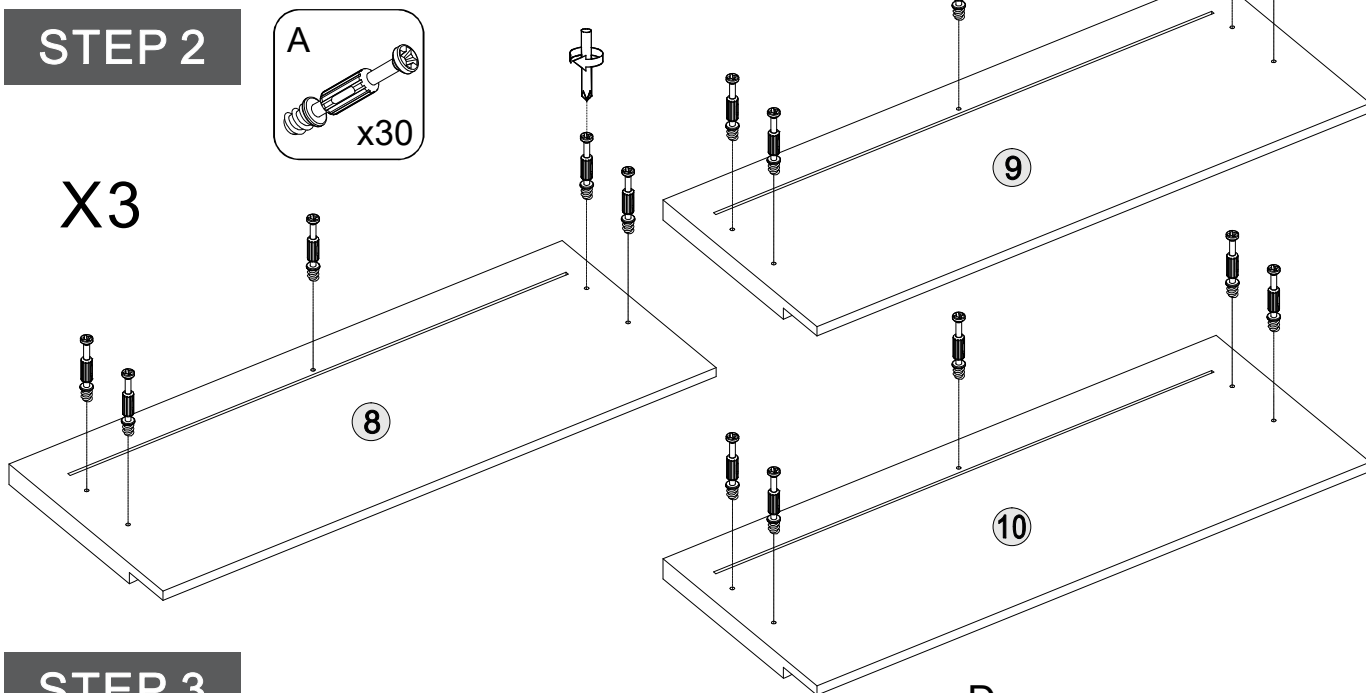
# STEP 1



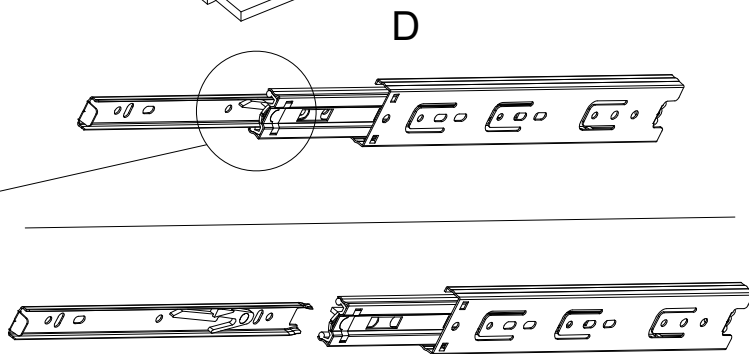
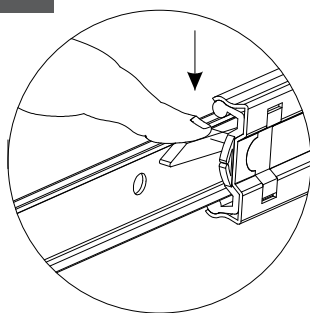
# STEP 2



X3



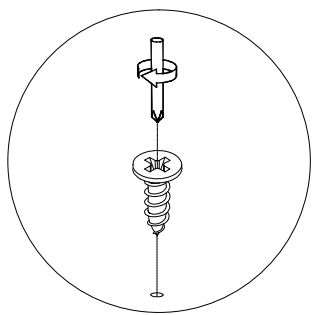
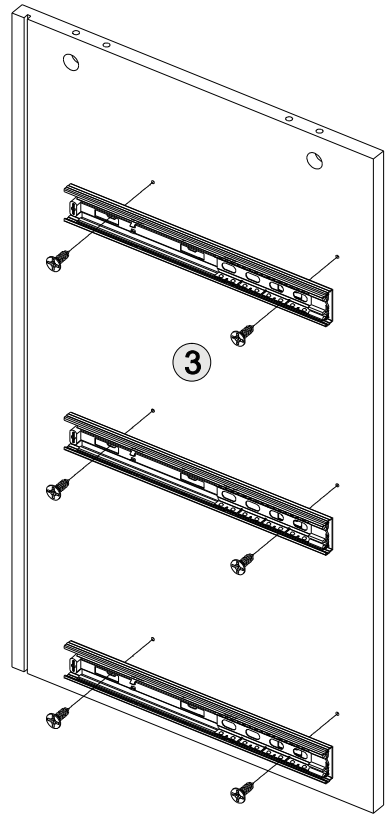
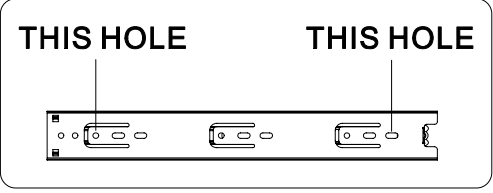
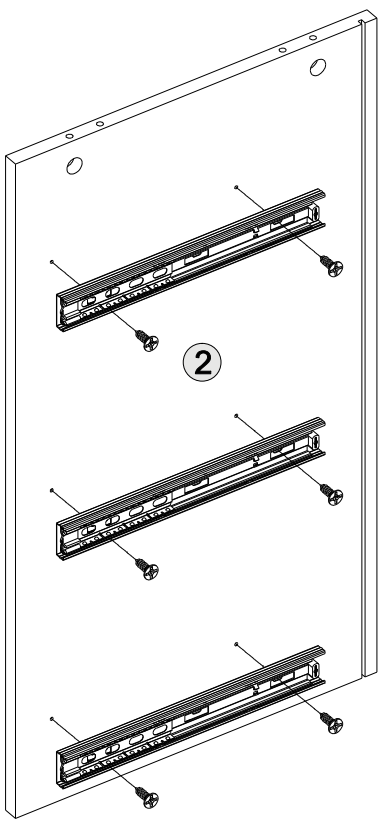
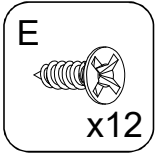
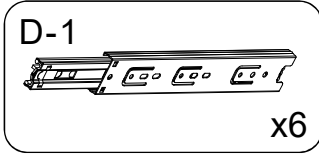
# STEP 3



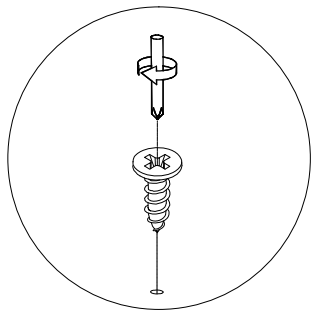
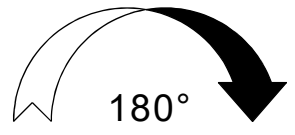
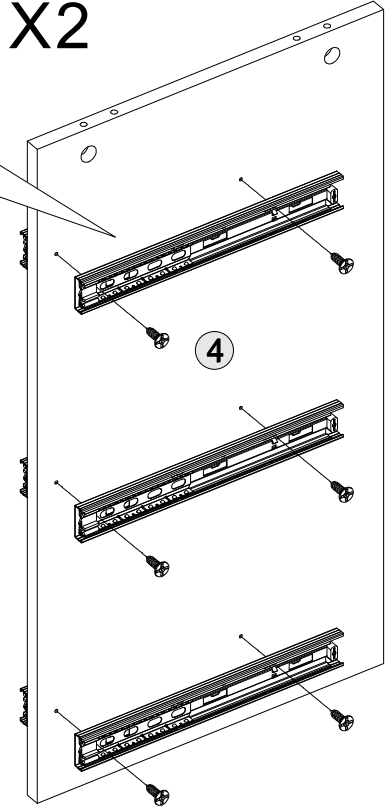
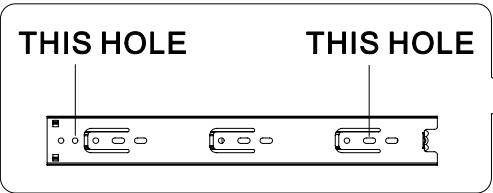
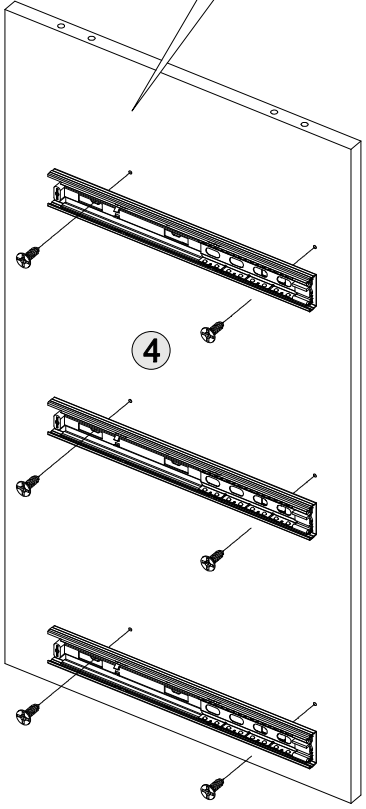
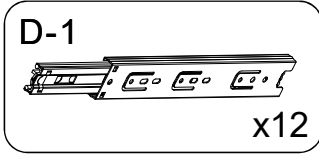
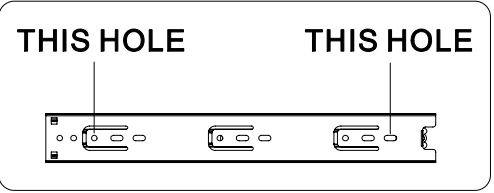
D-2 ← → D-1

● Press the button and extend the slide slowly. Then separate it with the release latch. Repeat these steps for the other slides.

# STEP 4

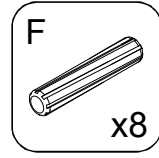
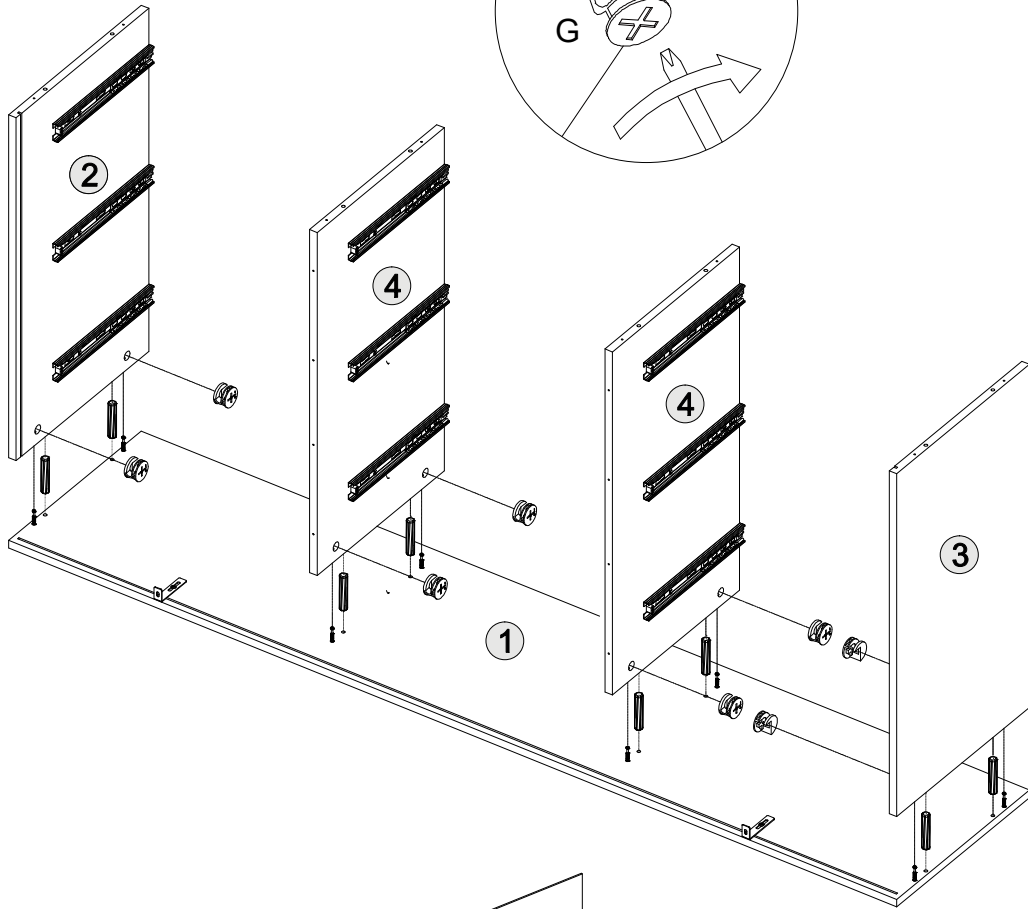


# STEP 5

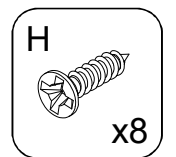
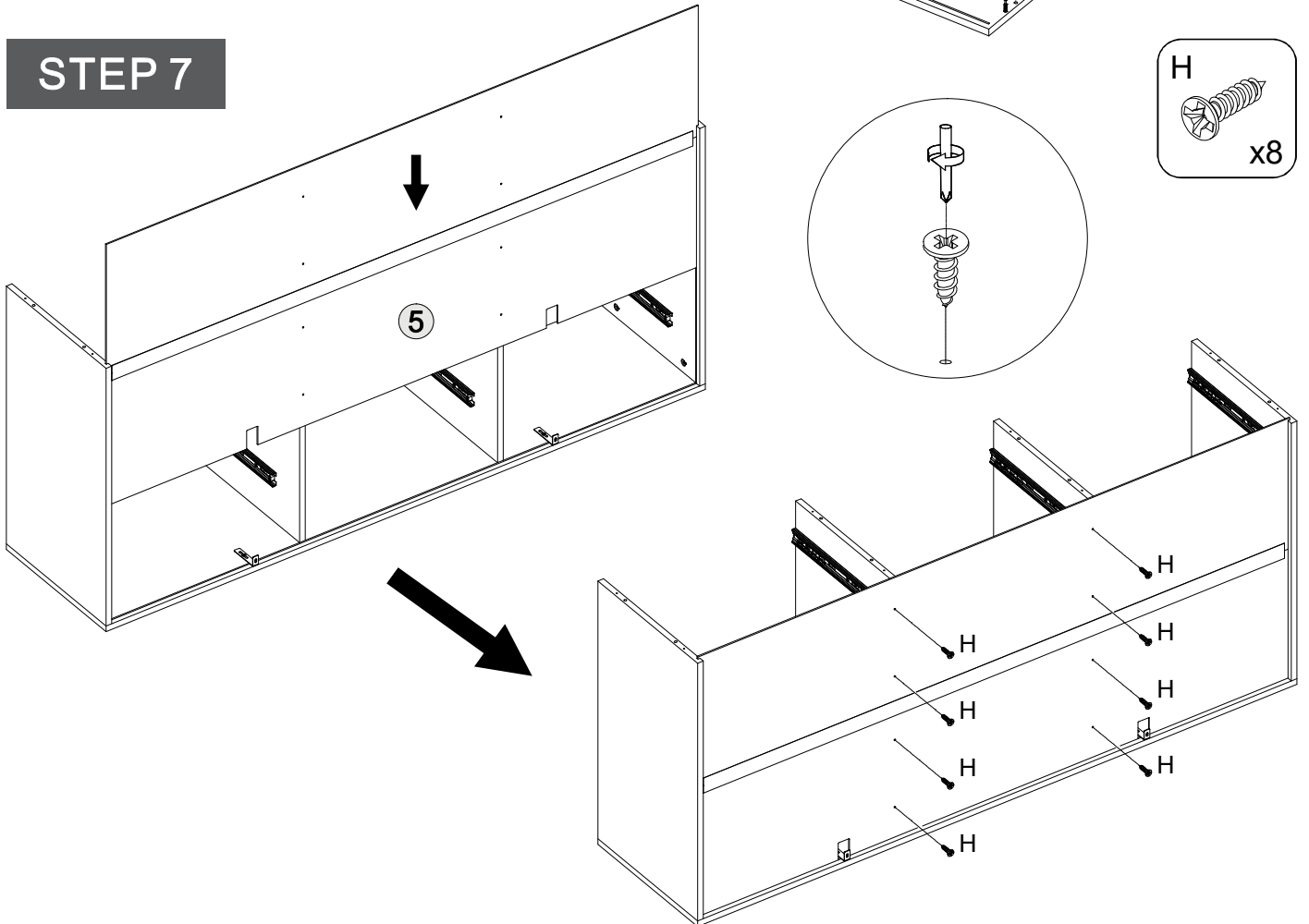


X2

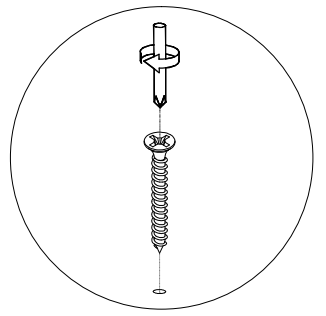
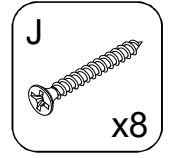
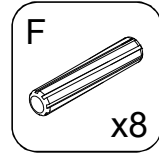
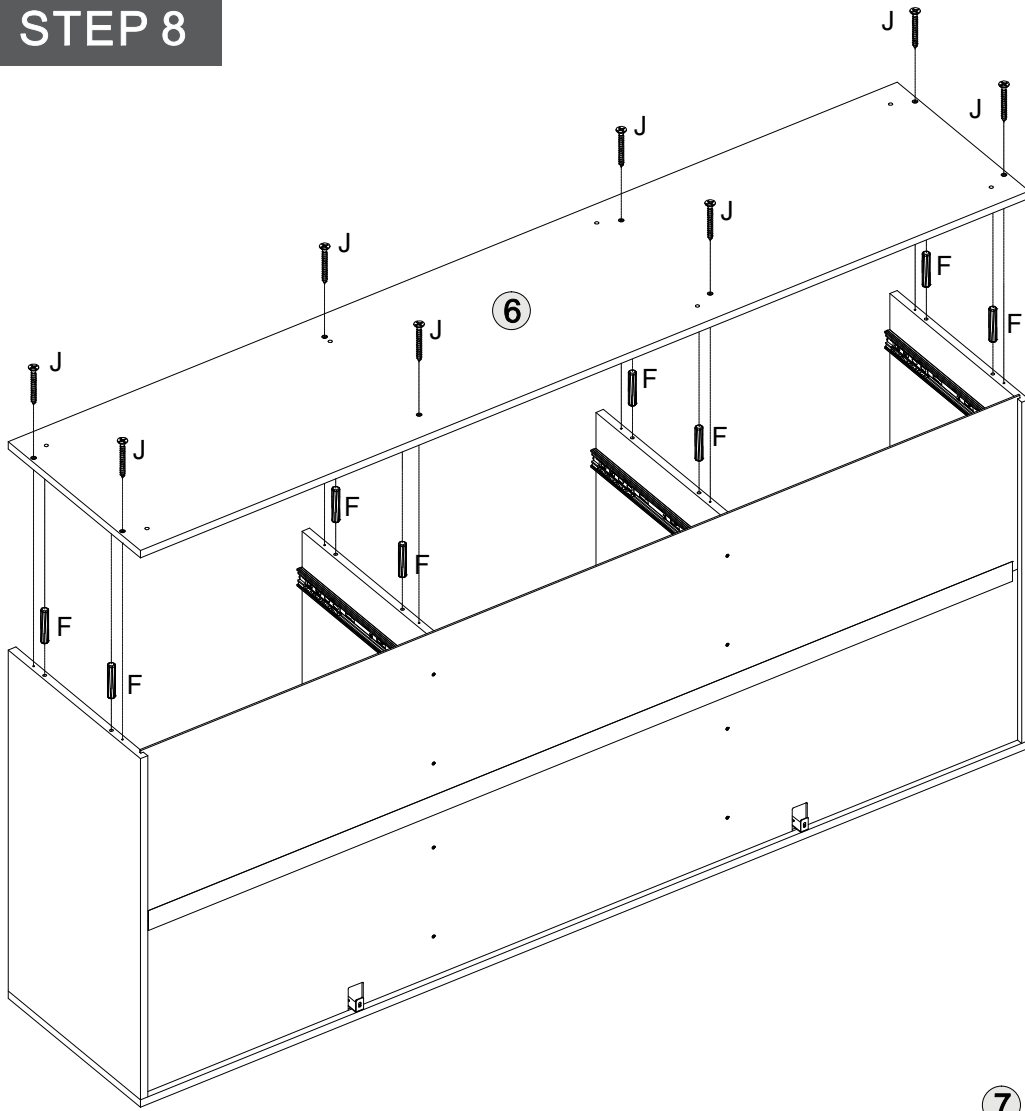
# STEP 6



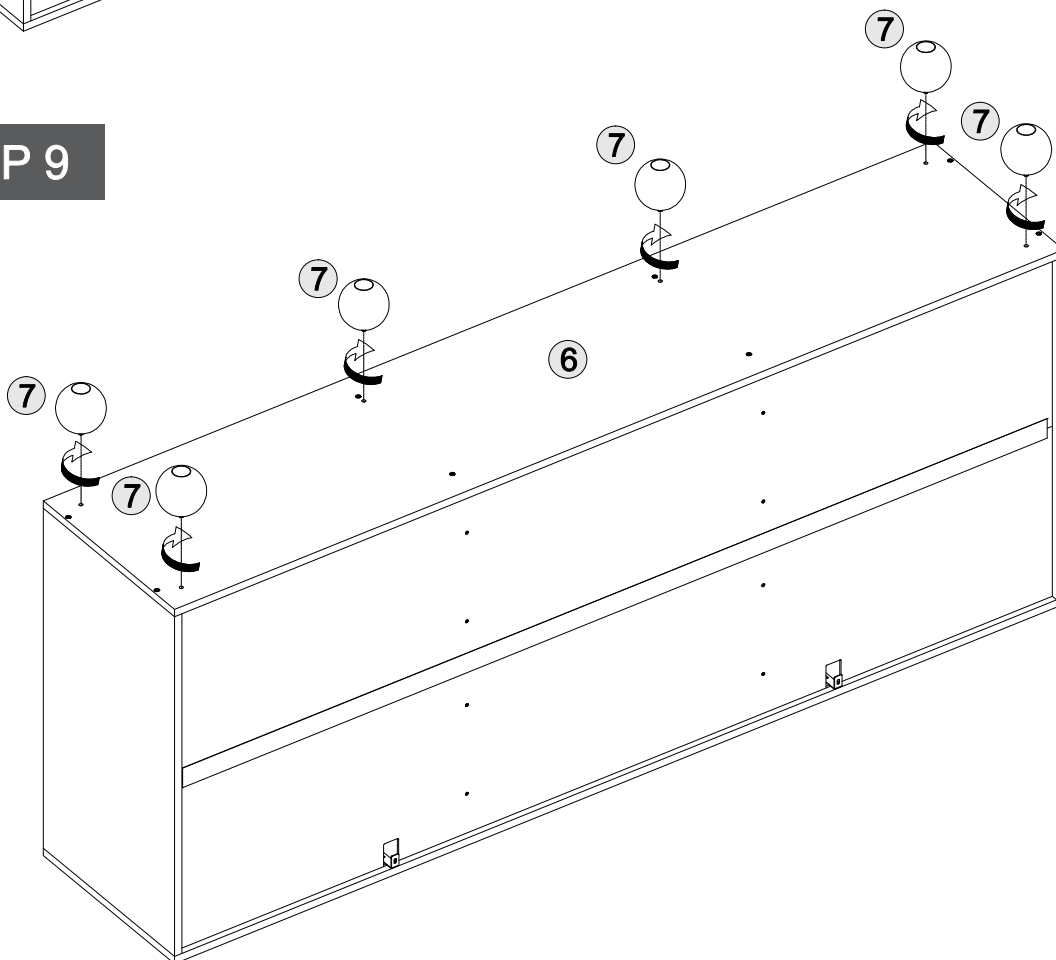
# STEP 7



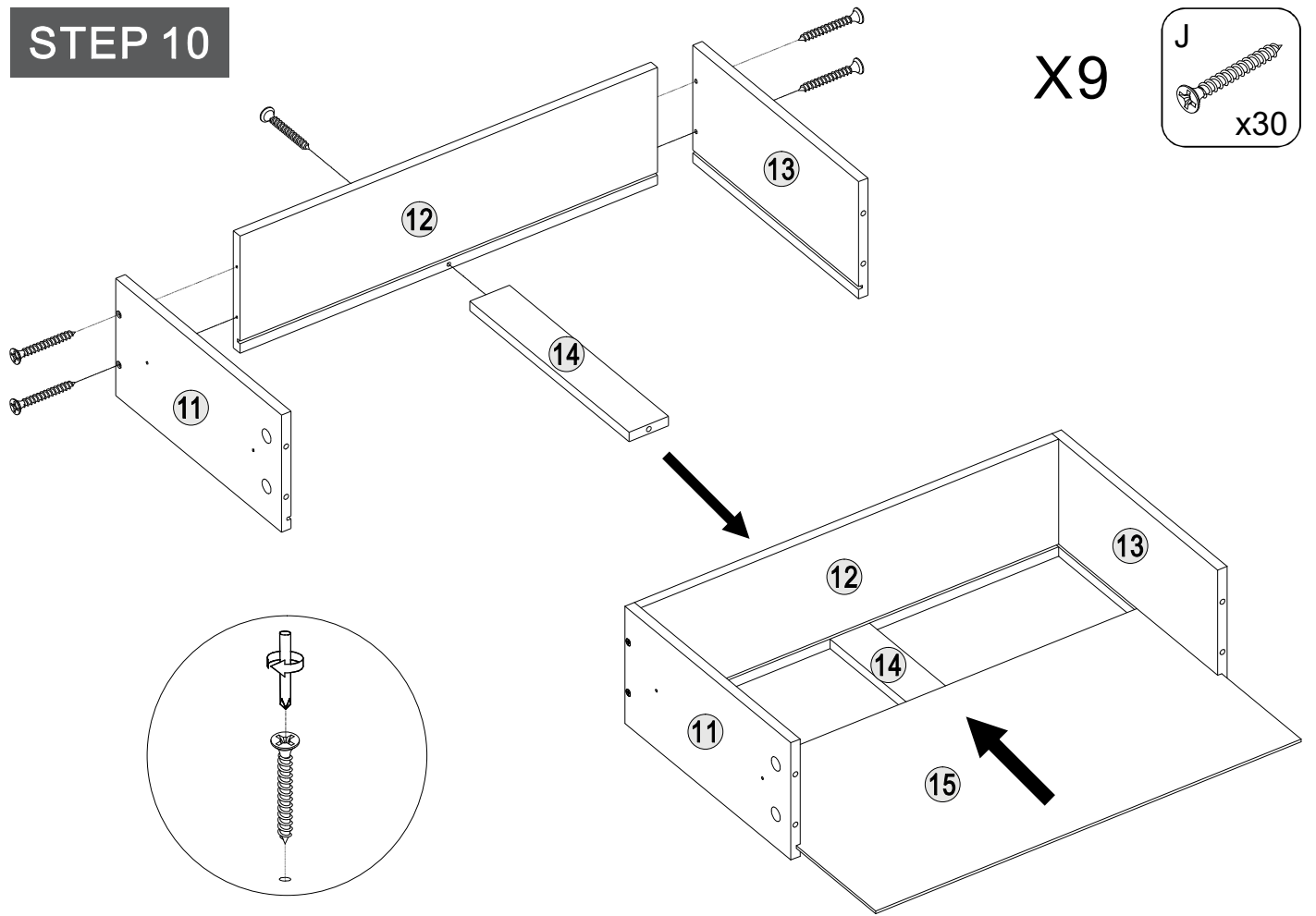
# STEP 8



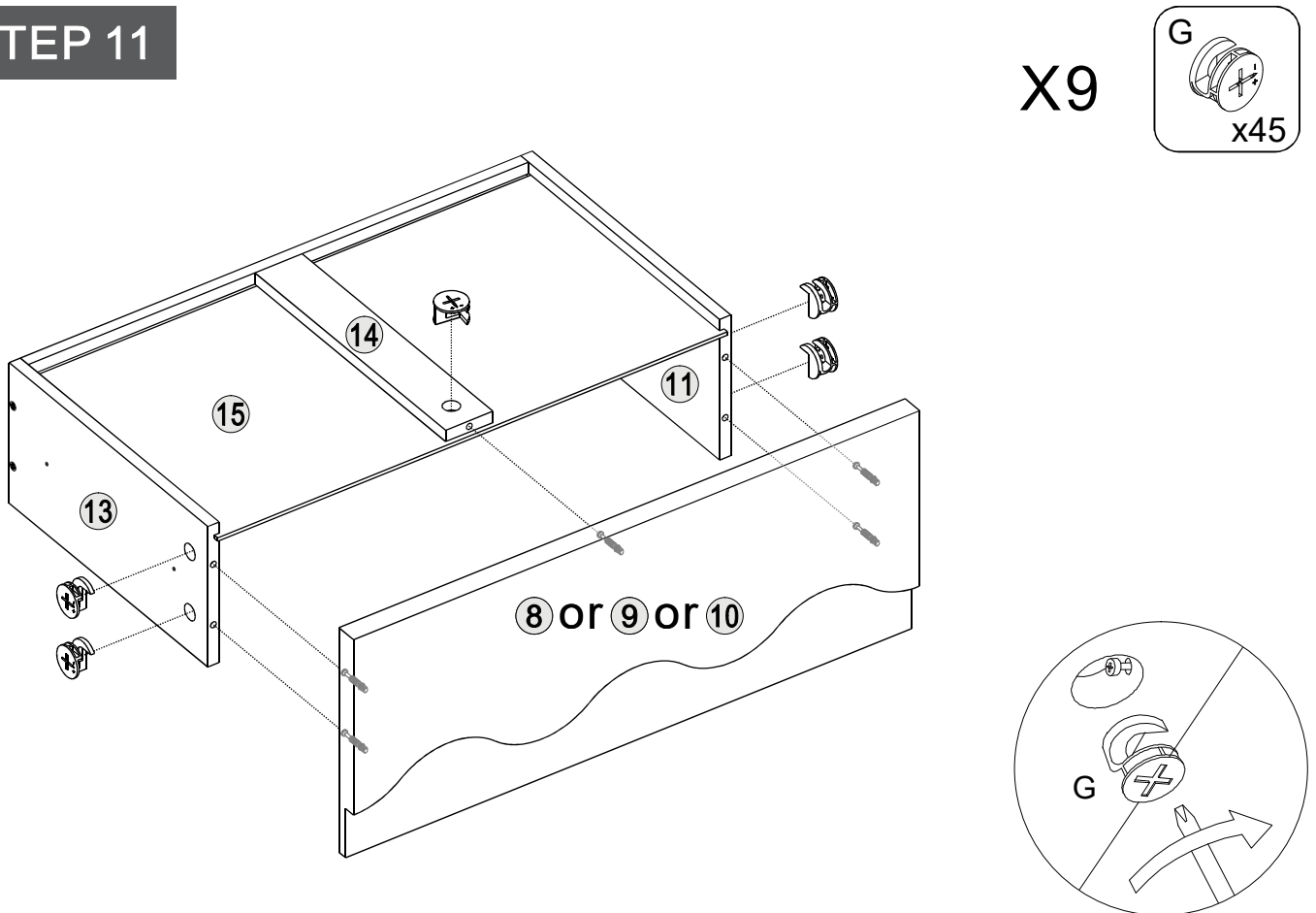
# STEP 9



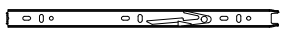
# STEP 10



# STEP 11

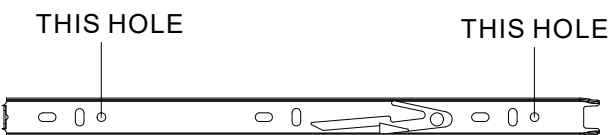
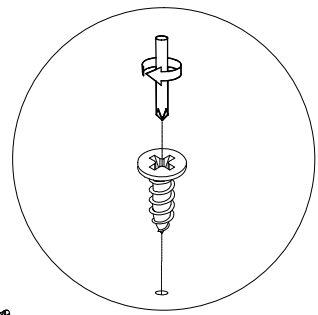
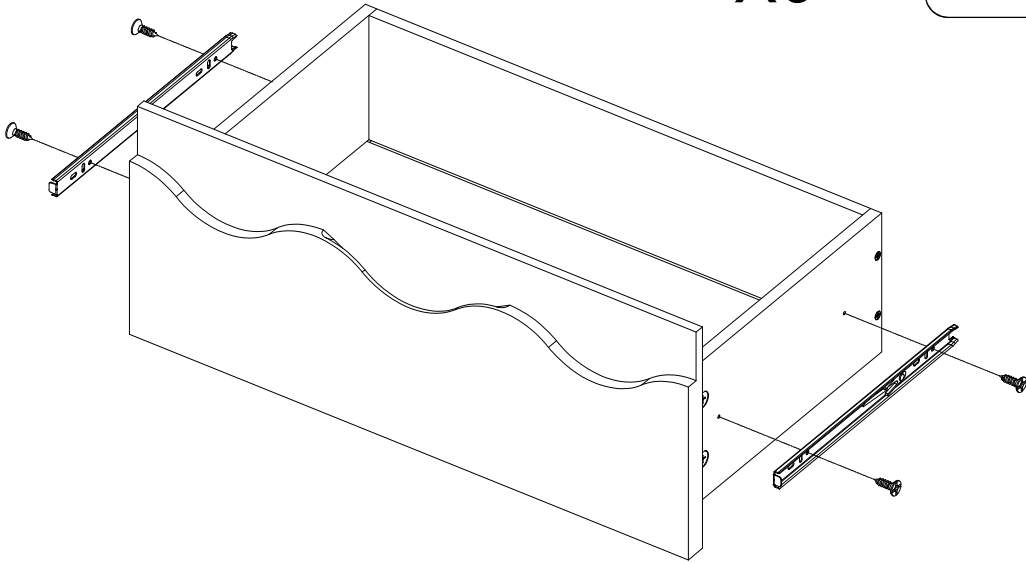


# STEP 12



D-2  
  
 x18

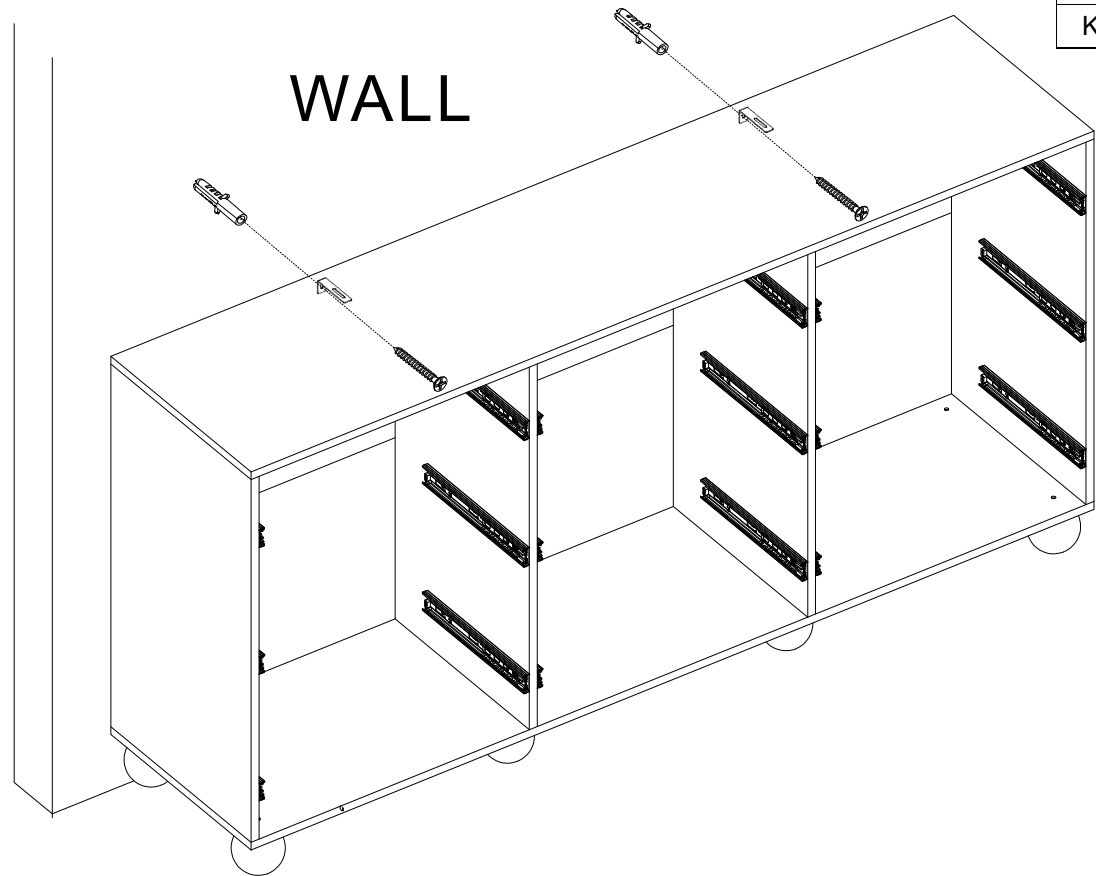
E  
  
 x36

X9

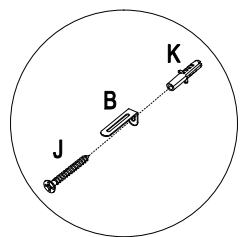
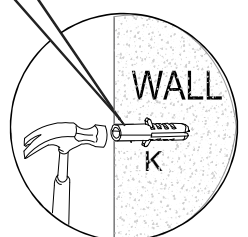


# STEP 13

HARDWARE			
NO.	Part		Qty
J		ST4.2x35	2
K		Expandable plastic particle	2

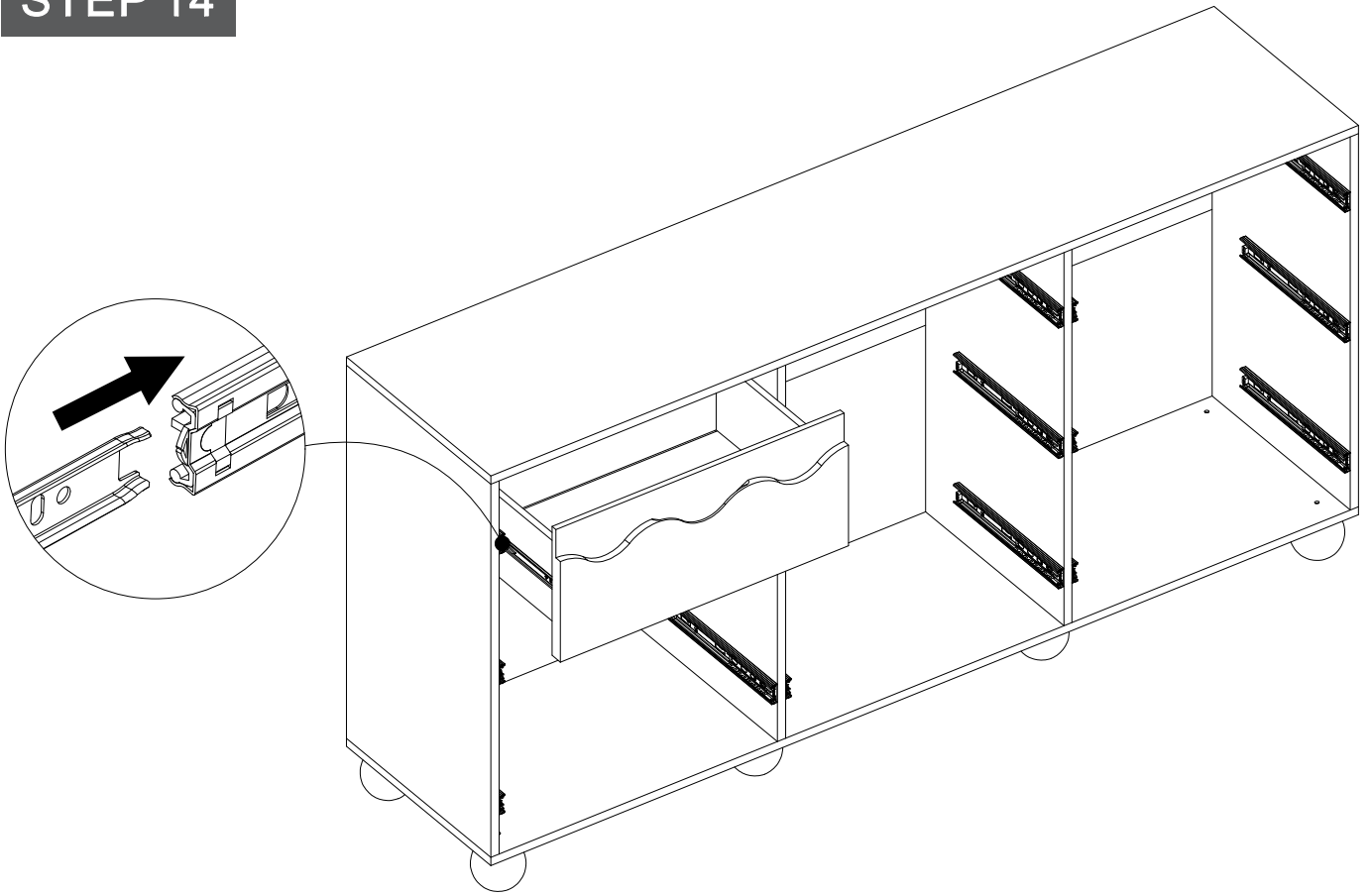


punch two Ø8x35 holes in the wall to install accessory K.



**WARNING:** Anti-tipping hardware is only a deterrent. It is not a substitute for proper adult supervision. Young children may be injured by tipping furniture and the use of a tipping restraint is highly recommended. This hardware, when properly installed, could provide protection against the unexpected tipping of furniture due to improper use.

**STEP 14**



**STEP 15**

