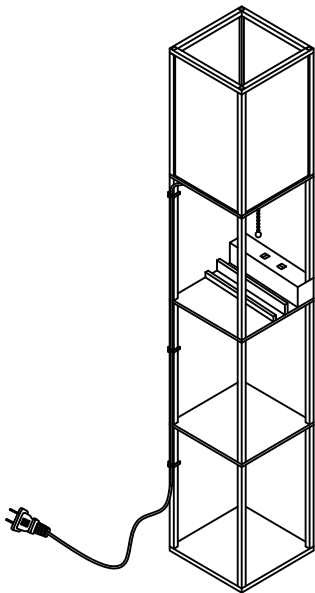


edishinē

Floor Lamp

[Instruction Manual]

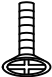
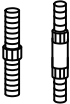













Please pay attention to the warning signs
Read the instructions with caution before operating
and keep it properly

CAUTION

1. Before assembly, place all parts out on a clean flat surface and inspect each part for defects that may have occurred during shipping.
2. Inspect wire insulation for any cuts, abrasions or exposed copper that may have resulted during shipping. If there are any defects in the wire, DO NOT continue assembly. Please send an email to our Customer Service immediately.
3. Consult a qualified electrician if you have any electrical questions.
4. Never drape clothes over the lamp.
5. To reduce the likelihood of tipping over, we recommend placing the lamp behind furniture and keep children and pets away.
6. To prevent children from suffocating and choking, keep them away from packing materials.
7. Please keep this manual and hand it over when you transfer the product.

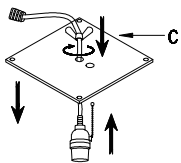
Packing List

A		8 PCS
B		2pcs long(80mm) 10pcs short(38mm)
C		1 PC
D		1 PC
E		1 PC
F		1 PC
G		4 PCS

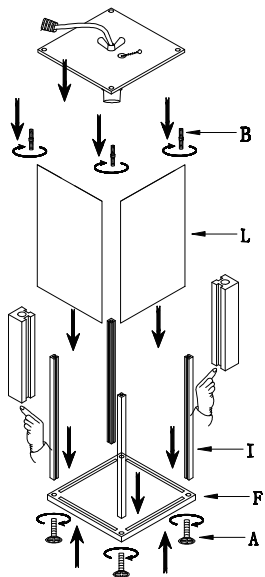
H		10pcs long(392mm) 2pcs short(350mm)
I		4 PCS
J		4 PCS
K		3 PCS
L		4 PCS
M		1 PC

ASSEMBLING THE FIXTURE

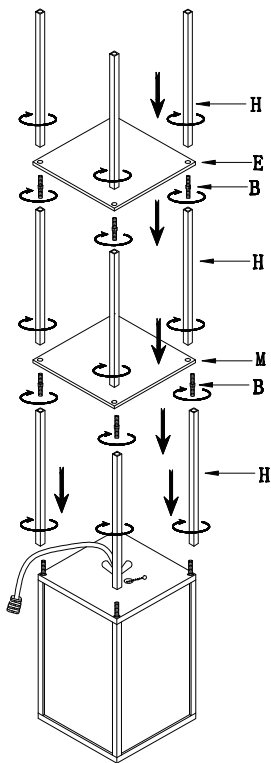
Step 1



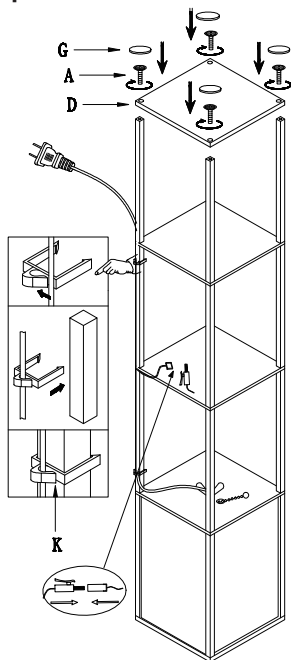
Step 2



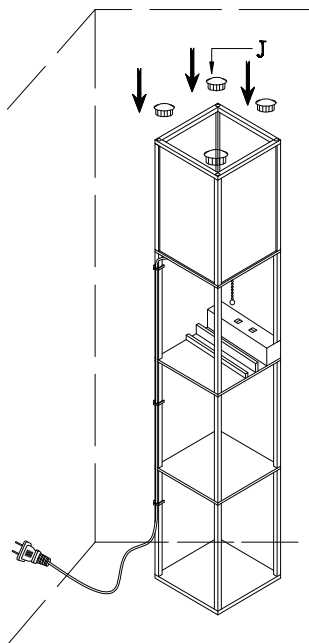
Step 3



Step 4



Step 5



1. Take out the board with the lamp holder (C). Push the bolt to the bottom of the board with the lamp holder, pull the lamp cord tight, and then tighten the bolt to secure it.

2. Use screws (A) to attach the four poles (I) to the wooden frame (F).

Note: Ensure the grooves on all four poles face inwards. Then, insert the lampshades (L*4) into the poles (I). Next, use screws (B) to securely fasten the board with the lamp holder (C) to the four poles (I).

3. As shown in Step 3: Use screws (B) to assemble the four poles (H) with the pre-assembled lampshade unit and the board with charging output (M). Then, use screws (B) to securely fasten this assembly—comprising the board with charging output (M), poles (H), and the thin board (B)—together. Assemble the final thin board (E) and four poles (H) in the same manner.
4. Secure the thick board (D) to the poles installed in the previous step using screws (A). Place the four washers (G) onto the four screws (A). As shown in the diagram, use three clamps (K) to secure the wires to the lamp body.
5. Rotate the entire assembled lamp body 180° to its upright position. As shown in the diagram, insert the plugs (J) into the tops of the four poles.

- Product Height: 160 cm
- Base Diameter: 26 cm
- Materials: Wood, Iron, PVC
- Input Voltage: 100-240VAC 50/60Hz

One Year Limited Warranty

Supported by our professional R&D team and QC team, we provide One Year Warranty for materials and workmanship from the purchase date. Please note that the warranty does not cover damage caused by personal misuse or improper installation.

Please attach your Order ID and Name so that our dedicated customer service team can help you better.



Made in China