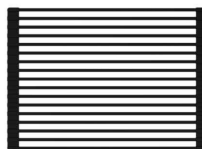


Series	Matrix
Material	16 Gauge, Type 304 stainless steel
Installation Type	Undermount
Configuration	Double equal bowl
Finish	Embossed hexagon finish
Overall Dimensions	32" x 18 3/4" x 9"
Left Bowl Dimensions	14 3/8" x 16 1/8" x 8 3/8"
Right Bowl Dimensions	14 3/8" x 16 1/8" x 8 3/8"
Drain Sizes	3 5/8"
Finishes Available	Stainless Steel, Gunmetal Grey
Minimum cabinet size	36"
Template Included	Yes
Clips Included	Yes
Drain Locations	Rear
Accessories Included	Strainer (x2), Cutting board, Drying rack and Strainer cap (x2)

Shown in Gunmetal Grey



MODEL	ACCESSORY
HSU3219DBGG	Cutting Board - CB1711BLR5
HSU3219DBGG	Strainer Cap - L-CAPGG
HSU3219DBGG	Strainer - L-1GGMA
HSU3219DBGG	Drying Rack - DR1712BLR5
HSU3219DBSS	Cutting Board - CB1711BLR5
HSU3219DBSS	Strainer Cap - L-CAP
HSU3219DBSS	Strainer - L-1
HSU3219DBSS	Drying Rack - DR1712BLR5

MODEL	FINISH
HSU3219DBGG	Gunmetal Grey
HSU3219DBSS	Stainless Steel

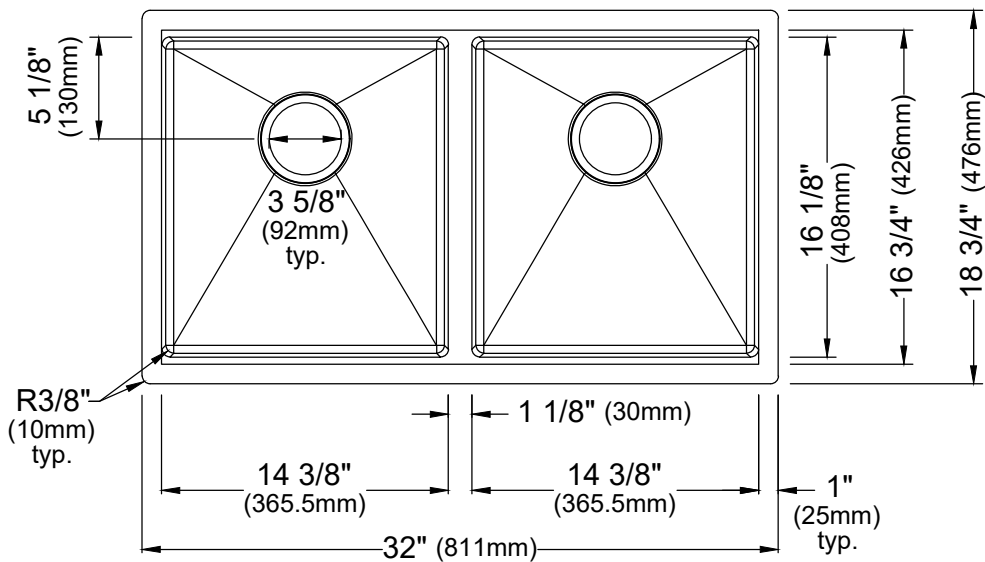
Stocked Color Options



Stainless Steel



Gunmetal Grey



Listing and certifications:  
cUPC

Limited lifetime warranty