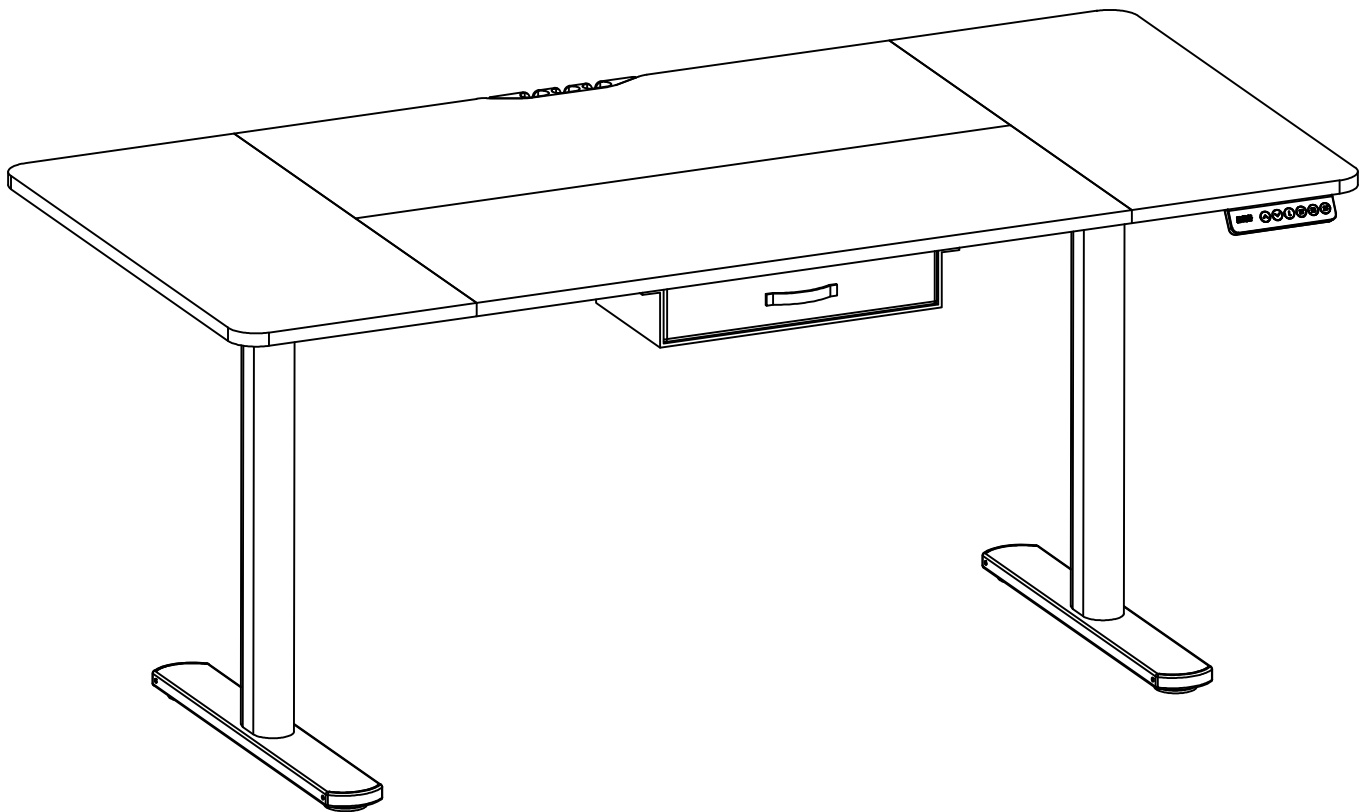


Electric Height Adjustable Standing Desk

USER MANUAL





IMPORTANT INFORMATION
READ CAREFULLY.
KEEP THIS INFORMATION FOR FURTHER REFERENCE.

GENERAL GUIDELINES

- Please read the following instruction carefully and use the product accordingly.
- Please keep this manual and hand it over when you transfer the product.
- This summary may not include every detail of all variations and considered steps. Please **contact us** when further information and help are needed.

NOTES



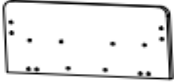





- Please follow the assembly instructions precisely and only use the product as intended.
- If an odor is present when first opening the package, please leave the unwrapped product in a shaded and ventilated area for a few days to air out.
- Prior to assembly, please check the product for defects or missing accessories. If any defects are found or accessories are missing, do not use product as damage or injury may occur;
- Please **contact us** for assistance and replacement.
- During assembly, please only slightly tighten all screws in their correct position first, then fully tighten them. A Philips screwdriver is recommended but not included.
- It is suggested you regularly check the products bolts and connections to ensure safe use.
- Assemble the item on a soft flat and clean surface to avoid scratches and damage.

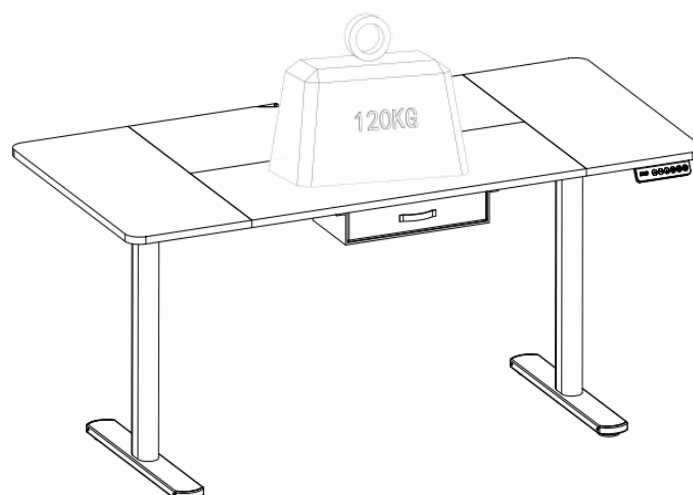
WARNINGS

- During assembly, keep parts and packaging materials away from children and pets as there could cause injury and are a potential choking hazard.
- Avoid sharp objects or corrosive chemicals to prevent damage to the product.
- Please open the item slowly and cautiously to avoid pinching your hands by metal joints, especially children.

Components

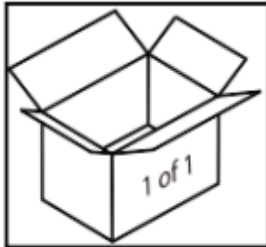
Please check you have all the pieces listed below

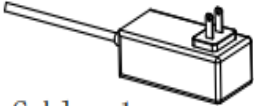
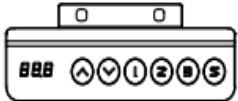



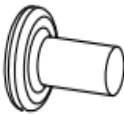
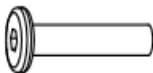

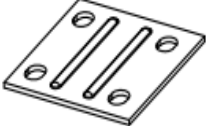

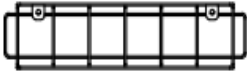


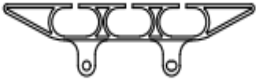
Reference	Part	QTY
①		1
②		1
③		2
⑤		2
⑥		1
⑦		2
⑧		2
⑨		1



Components

Please check you have all the pieces listed below

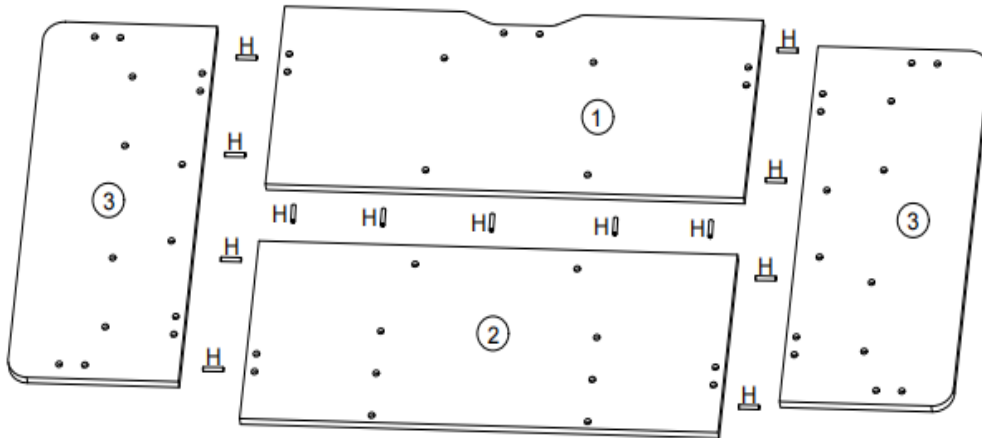


<p>A </p> <p>Power Cable x1</p>	<p>B </p> <p>Controller x1</p>	<p>C </p> <p>Leveling Studs x4</p>
<p>D </p> <p>Wire Clips x10</p>	<p>E </p> <p>4mm Allen Key x1</p>	<p>F </p> <p>Screws M6x12 x65</p>
<p>G </p> <p>Screws M6x35 x10</p>	<p>H </p> <p>Wooden Rod x15</p>	<p>J </p> <p>Connector x4</p>
<p>L </p> <p>Hexagon Bar x1</p>	<p>O </p> <p>Wire Basket x1</p>	<p>T </p> <p>Locakble Wheels x4</p>
<p>M </p> <p>Extension Line x1</p>	<p>Z </p> <p>Desktop Wire Holder x1</p>	

1

H	x13
Wooden Rod	

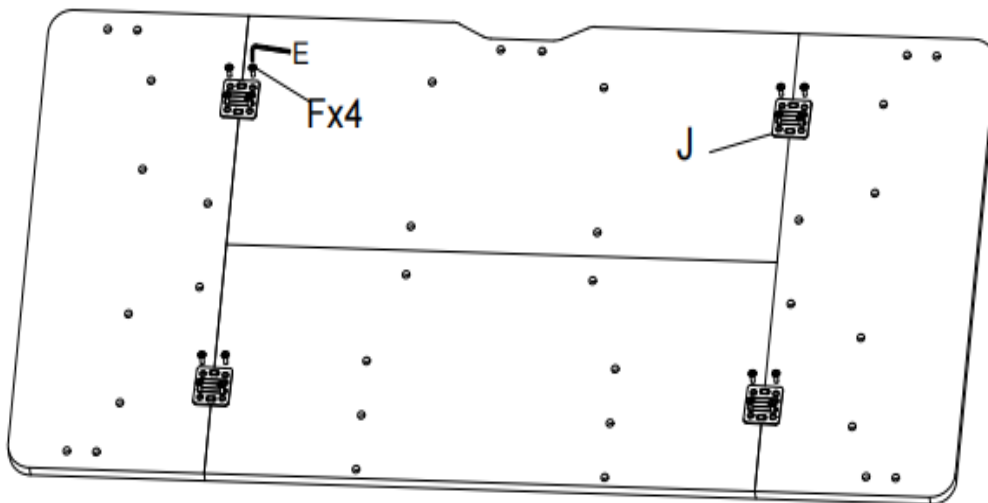
According to the instruction manual, place the panel, put the wood pin (H) into the hole on the side of the panel, and then close the panel.



2

E	x1	F	x16	J	x4
4mm Allen Key		Screws M6		Connector	

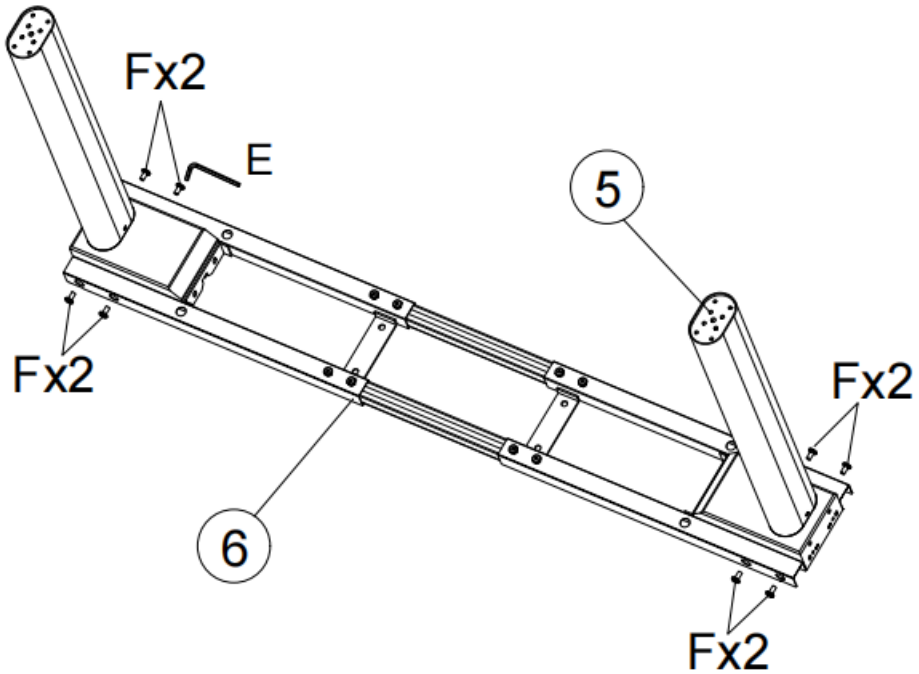
Place the panel connecting plate (J) according to the instructions and secure with M6x12 screws.



3

F	x8	E	x1
Screws M6		4mm Allen Key	

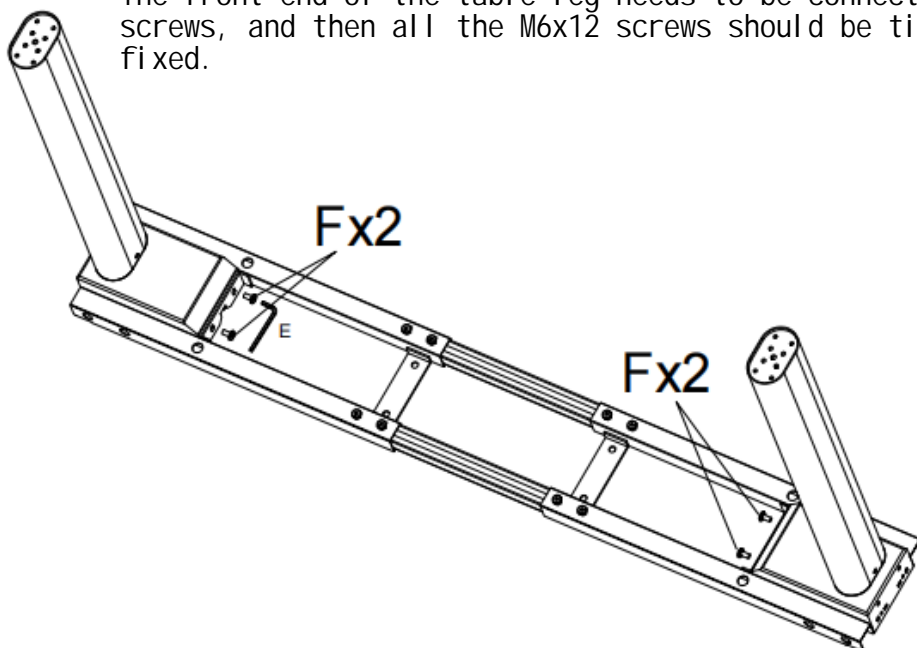
The front end of the table leg needs to be connected with M6x12 screws, and then all the M6x12 screws should be tightened and fixed.



4

F	x4	E	x1
Screws M6		4mm Allen Key	

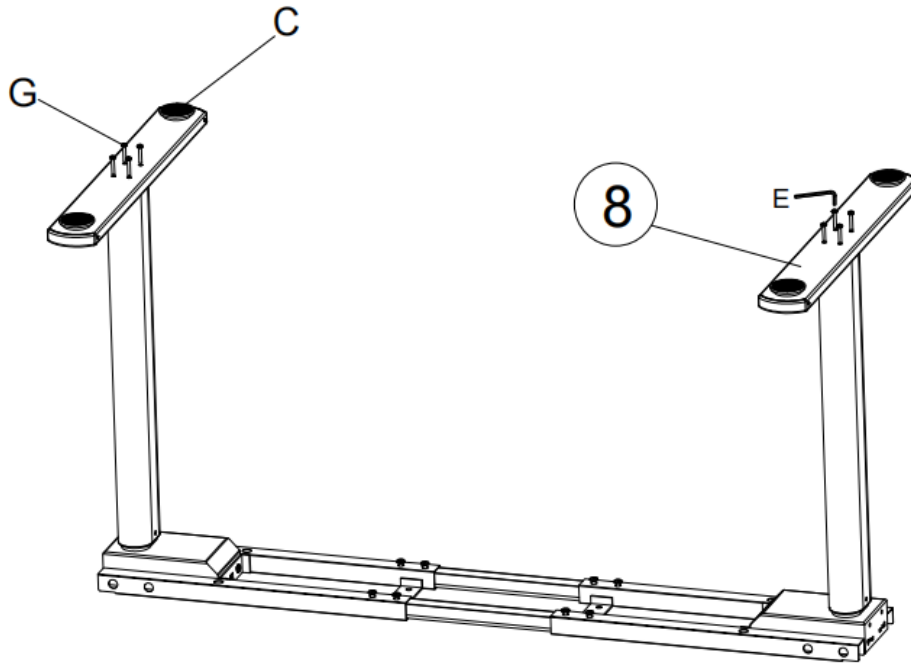
The front end of the table leg needs to be connected with M6x12 screws, and then all the M6x12 screws should be tightened and fixed.



5

E	x1
4mm Allen Key	
G	x8
Screws M6	
C	x4
Leveling Studs	

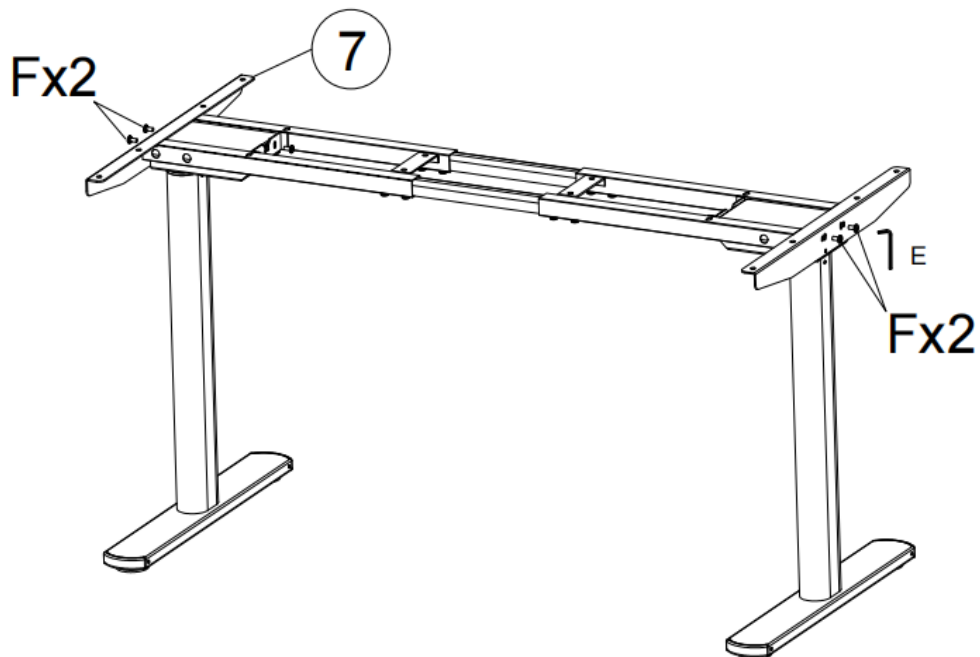
Connect the table foot (8) with the table leg, secure with M6x35 screws, and then install the foot pad (C)



6

F	x4
Screws M6	
E	x1
4mm Allen Key	

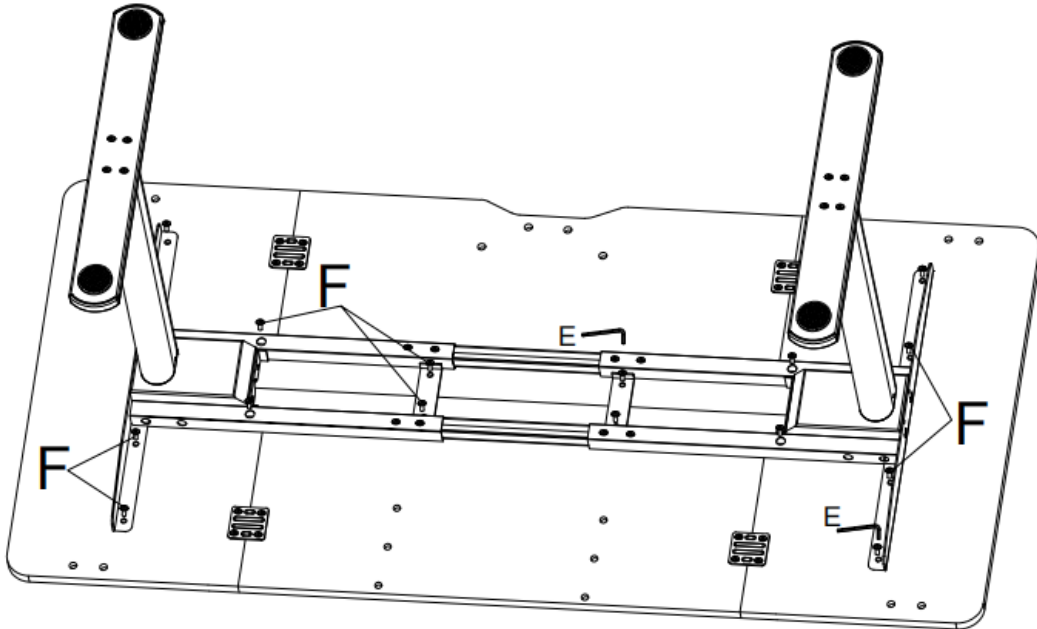
Install the boom (7) on the table leg and secure with M6x12 screws. Note that the boom is bent inward.



7

E	x1	F	x16
4mm Allen Key		Screws M6	

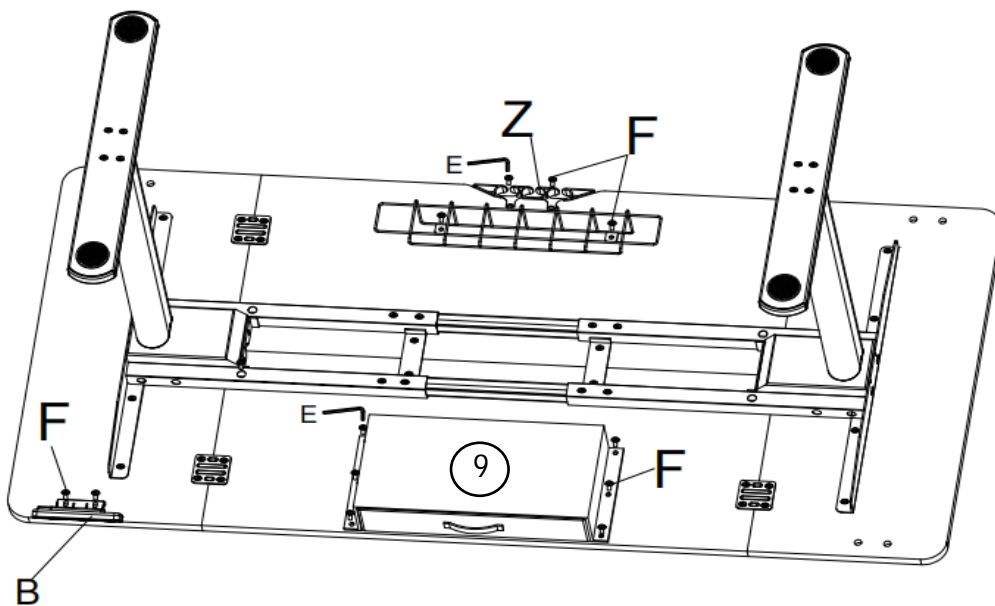
Place the table on the panel, put all M6x12 screws into the mounting hole, and tighten the screws



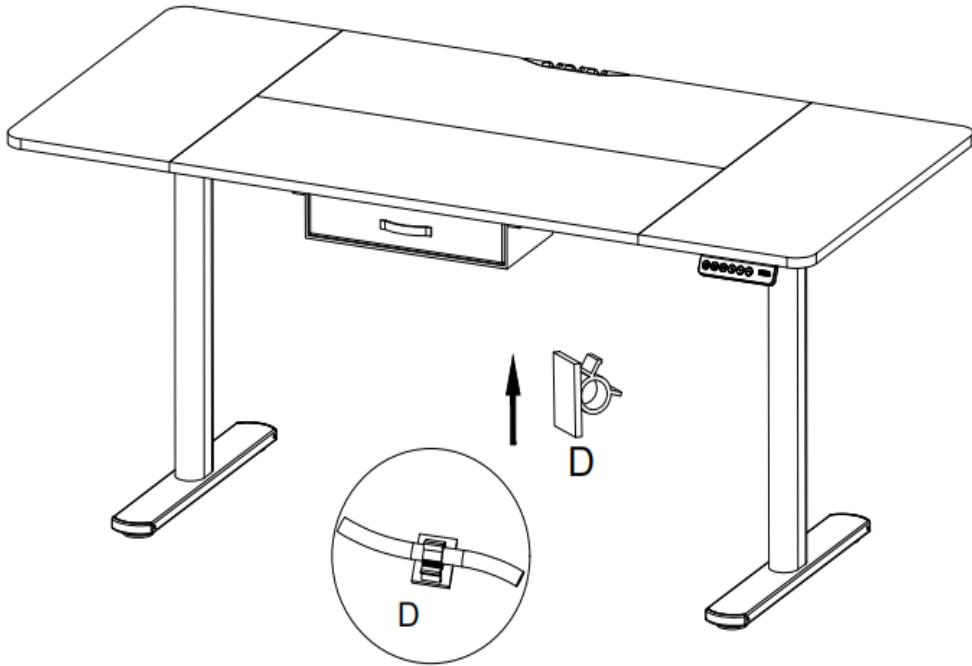
8

E	x1	F	x12
4mm Allen Key		Screws M6	

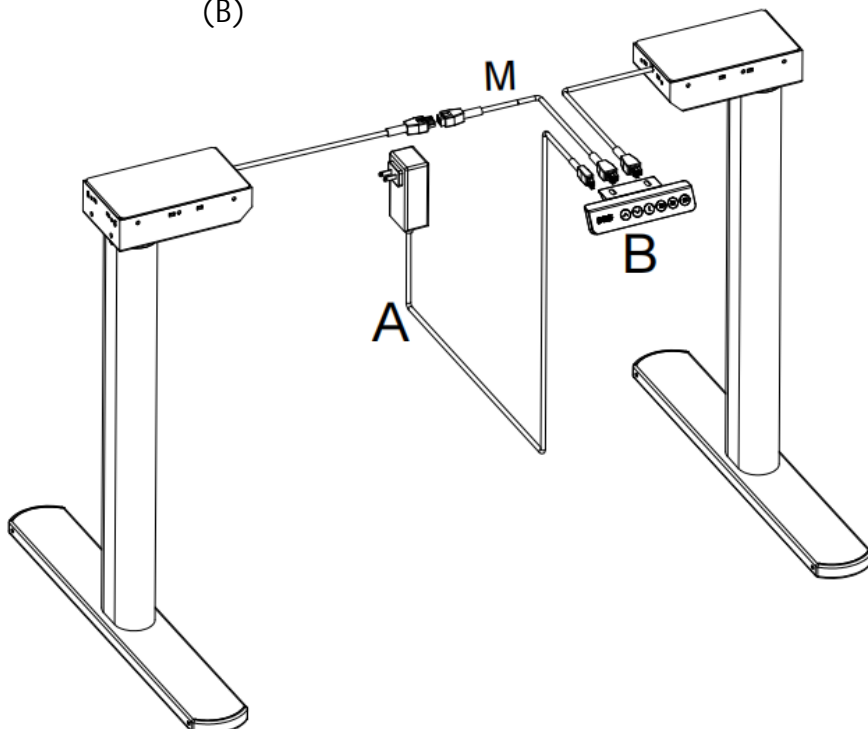
Refer to instructions for installing desktop cable card (Z), cable cable (0), controller (B) and cloth (10)



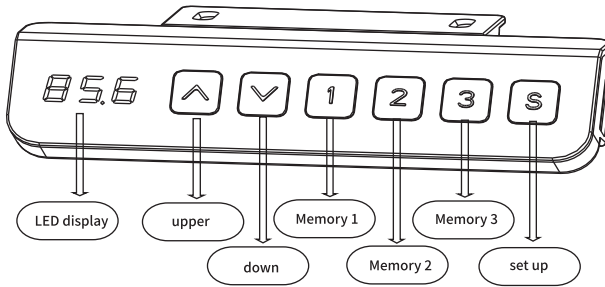
Organize the data line, and then stick to it
Use the cable card (D) to stick the fixed below the desktop



Refer to the manual connecting the motor wire, extension wire
(M)
Hand controller
And power plug
(A)
(B)



Manual controller operation instructions



Operation procedure	Operating instruction
Height adjustment	Rise: Hold down “^”. Fall: hold down “v”.
Memory storage	Click the S key, and the height value will start flashing. At this time, press the number 1 key to save the current height to the corresponding position. The settings for numbers 2 and 3 are the same as those for number 1.
Reset Settings	Simultaneously press and hold “^” and “v”, the LED screen will start flashing, and the table will slowly descend, automatically lowering to the lowest level to display the LED screen's digits. The reset is successful.
Safe child lock	<p>Lock setting: Press and hold the S key for 3 seconds. When the LED screen displays “SET”, press the number key 3 once to enter the lock screen state. At this time, the LED screen will flash and display “OFF”</p> <p>Unlocking setting: In the lock screen state, press the S key for 3 seconds, and the LED screen will display the height value. At this time, release the S key to complete the unlocking process</p>
advanced setting	<p>Menu settings: Press and hold the S button for 6 seconds, and when the LED screen displays “HLP”, release the S button. At this time, the LED screen flashes alternately to display “HLP” and the current height value:</p> <ol style="list-style-type: none"> 1. Press the number key 1, the LED screen will flash to display “H-P”, and press the S key to save the current value. 2. Press the number key 2, the LED screen will flash and display “L-P”. Press the S key to save the current value. <p>Exit Settings: 1. When the LED screen flashes alternately to display “HLP” and the current height value, if the S key is not pressed to confirm within 15 seconds, the setting mode will be exited. 2. When the LED screen flashes alternately to display “HLP” and the current height value, the current height value can be adjusted by using the up or down keys. When the LED screen flashes alternately to display “HLP” and the current height value, press the number key 3 to directly delete the set maximum and minimum heights:</p>

<p>Rebound when encountering obstacles</p>	<p>Settings: Long press and hold the S button for 3 seconds. When the LED screen displays "SET", release the S button and press the number key 2 to enter sensitivity settings. At this time, the LED screen flashes alternately to display "cpt" and the current sensitivity value. Adjust the sensitivity value by using the up or down button, and press the S button to save the current setting</p> <ol style="list-style-type: none"> 1. Sensitivity 0/1/2/3/4, the higher the number, the higher the sensitivity 2. When the LED screen flashes alternately to display "cpt" and the current sensitivity value, the S key is not used to save confirmation, and the system automatically saves the current unit setting for 15 seconds
<p>Unit conversion</p>	<p>Long press and hold the S key for 3 seconds. When the LED screen displays "SET", release the S key and press the number key 1 to enter the unit conversion setting. At this time, the LED screen flashes alternately to display "unt" and the current height value. Adjust the unit by pressing the up or down button, and press the S key to save the current setting.</p>
<p>Restore factory settings</p>	<p>Press and hold the S key for 9 seconds. When the LED screen displays "FAC", release the S key and operate it again to restore the factory settings.</p> <p>After restoring the factory settings, clear the memory position, height range, sensitivity, and units that have been set</p>

Troubleshooting guide:

If your lifting table is not working properly, try to reset the setting.

If any error codes occur, reset the Settings.

If it does not work after the reset, please contact us for more help.

Care and maintenance:

1. Use a clean soft cloth to remove dust from the surface during routine maintenance. Do not wipe the table surface with damp cloth or hard material.
2. Avoid contact with acidic chemicals.
3. For slight scratches, wipe gently with a soft cloth to smooth the scratches. Do not stick adhesive items directly on the outer surface of the metal foot to prevent the surface from falling off.