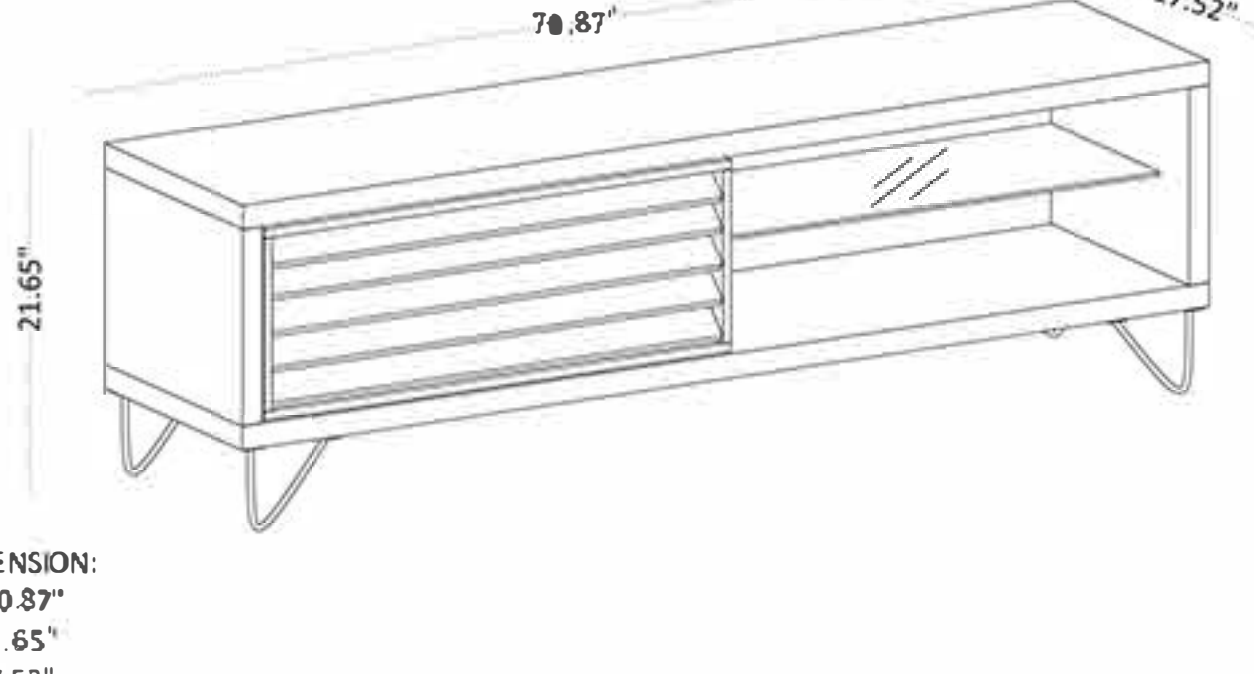




# 71" TV STAND

60 MINUTES - ESTIMATED ASSEMBLY TIME



DIMENSION:  
W: 70.87"  
H: 21.65"  
D: 17.52"

## SPECIAL NOTES - TAKING CARE OF YOUR PRODUCT

- NEVER USE A CHEMICAL CLEANING PRODUCTS, THEY CAN DAMAGE THE FINISH. FOR CLEANING, USE A SLIGHTLY DAMP CLOTH AND WIPE DRY.
- NEVER LET LIQUIDS OR DAMP ON THIS FURNITURE.
- TO AVOID DULLING OF THE FINISH, DO NOT PLACE FURNITURE IN DIRECT SUNLIGHT.
- TO CLEAN, USE A SOFT OR SLIGHTLY DAMP CLOTH, THEN WIPE WITH A CLEAN, DRY CLOTH, PREFERABLY USE A NEUTRAL SOAP.

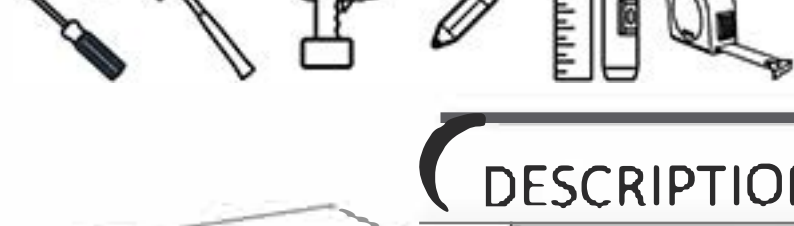
## PRODUCT ASSEMBLY INSTRUCTIONS

**BEFORE STARTING**  
Prepare the room starting the assembly leaving it completely clean and the area in good condition to start the work

Use the cardboard of the packing and the foam sheets protection to separate and support the parts removed from the boxes



## REQUIRED TOOLS - TOOLS NOT INCLUDED -



## DESCRIPTION - PIECES

- 01 IS STRUCTURE BASE
- 02 SIDE STRUCTURE LEFT
- 03 SIDE STRUCTURE RIGHT
- 04 INTERNAL PARTITION
- 05 TOPSHELF
- 06 LEFT SIDE FRAME - VENETIAN DOOR
- 07 UPPER AND LOWER FRAME - VENETIAN DOOR
- 08 TRANSVERSE LATH - VENETIAN DOOR
- 09 BACKGROUND
- 10 RIGHT SIDE FRAME - VENETIAN DOOR

A	1020002	31		WOODEN DOWELS
B	1020056	12		SCREW MINIFIX
C	1020209	12		MINIFIX ROUND NUT
D	1020227	20		SCREW 4.0 x 25mm
E	1020072	08		SCREW 3.5 x 40mm
F	1020382	04		SCREW 4.0 x 14mm
G	1020098	04		SILICONE SHELF SUPPORT
H	1020269	30		NAIL 10 x 10mm
I	0000000	12		COVER OF MINIFIX
J	1020784	02		RAIL PULLEY
K	1020298	02		GUIDE FOR PULLEY (INTERNAL)
L	1020758	05		«V» IRON FEET
M	1020798	01		PLASTIC TOP RAIL
N	1020315	04		SILICONE IMPACT ABSORBER
O	1020060	01		LOWER ALUMINUM RAIL

## STEP BY STEP

**1°**

FOR BETTER ASSEMBLY, FIRST ASSEMBLE THE FRAME (07-06-10) AND APPLY ONE BY ONE (TRANSVERSE LATH N.08) USING THE WOODEN DOWEL ( A ) AND FINISH WITH THE SCREWS ( E )

**2°**

AFTER ASSEMBLING THE VENETIAN DOOR, RESERVE FOR ASSEMBLY IN STEP 4.

**3°**

BEFORE FIXING THE SUPPORT, CHECK THE PRE-DRILLED INDICATION TO INSERT THE SCREWS.

**4°**

ATTENTION: BEFORE INSTALLING PARTS AND DIVISIONS, APPLY THE ALLUMINUM RAIL ON THE LOW STRUCTURE. REPEAT THE SAME STEP AT THE TOP SHELF WITH THE PLASTIC RAIL.

FOR BETTER ASSEMBLY OF THE VENETIAN DOOR, DO NOT TIGHTEN THE MINIFIX ROUND NUTS. AFTER INSTALLING THE DOOR, PERFORM THIS STEP.

**5°**

APPLY THE DOOR, ALIGNING THE PULLEY ON THE RAILS. AFTER THIS INSALLATION, TIGHTEN THE MINIFIX ROUND NUT IN THE TOP SHELF.

**6°**

**7°**

IN THE END, APPLY THE GLASS SHELF ON THE SUPPORT INSIDE THE PRODUCT.